



US00D843510S

(12) **United States Design Patent** (10) **Patent No.:** **US D843,510 S**  
**Ross** (45) **Date of Patent:** **\*\* Mar. 19, 2019**

(54) **MEDICINE BALL WITH HANDLES**  
(71) Applicant: **Exemplar Design, LLC**, Mason, OH (US)  
(72) Inventor: **Adam L. Ross**, Mason, OH (US)  
(73) Assignee: **EXEMPLAR DESIGN, LLC**, Mason, OH (US)

D789,461 S \* 6/2017 Magloire ..... D21/682  
D798,969 S \* 10/2017 Lozito ..... D21/682  
D818,062 S \* 5/2018 Lien ..... D21/680  
D818,546 S \* 5/2018 Martin ..... D21/682  
2003/0060346 A1\* 3/2003 Wu ..... A63B 21/06  
482/108  
2010/0069206 A1\* 3/2010 Viselman ..... A63B 21/072  
482/106  
2011/0263393 A1\* 10/2011 Ross ..... A63B 21/072  
482/93

(\*\*) Term: **15 Years**

(Continued)

(21) Appl. No.: **29/613,217**  
(22) Filed: **Aug. 8, 2017**  
(51) **LOC (11) Cl.** ..... **21-02**  
(52) **U.S. Cl.**  
USPC ..... **D21/682**  
(58) **Field of Classification Search**  
USPC ..... D21/680, 682, 681, 686, 662; 482/108,  
482/93, 107, 98, 91, 139, 104  
CPC . A63B 21/075; A63B 21/0728; A63B 21/072;  
A63B 21/00065; A63B 21/0726; A63B  
21/063  
See application file for complete search history.

**OTHER PUBLICATIONS**

Medicine Ball by XD dated no date given. Found online [Jun. 12, 2017]https://xdfit.com/products/kevlar-medicine-ball-with-handles (Year: 0).\*

*Primary Examiner* — Ryan Harvey  
(74) *Attorney, Agent, or Firm* — Baker & Hostetler LLP

(57) **CLAIM**

I claim the ornamental design for a medicine ball with handles, as shown and described.

**DESCRIPTION**

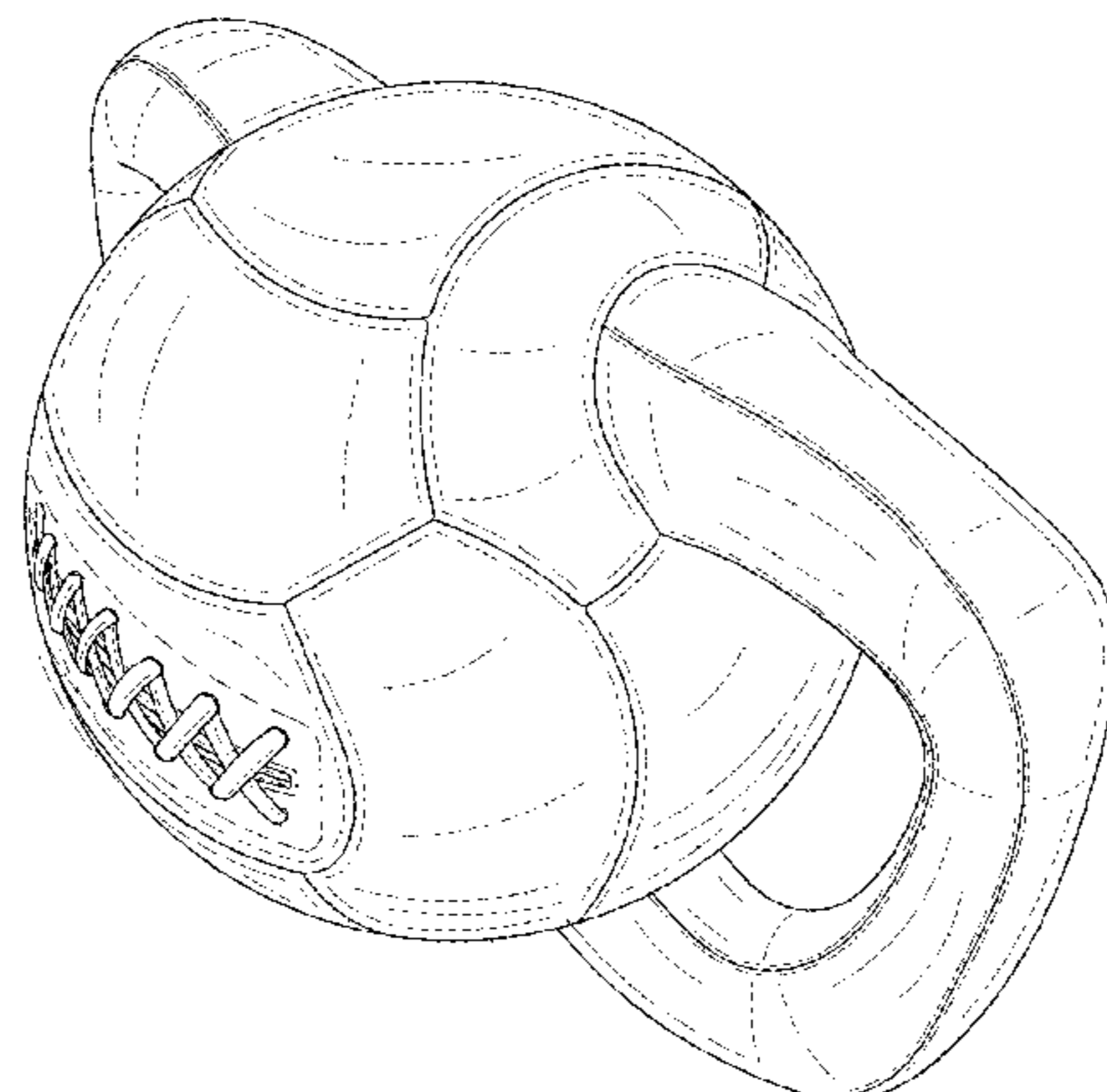
FIG. 1 is a top perspective view of the medicine ball with handles showing my new design;  
FIG. 2 is a front side elevation view thereof;  
FIG. 3 is a back side elevation view thereof;  
FIG. 4 is a left side elevation view thereof;  
FIG. 5 is a right side elevation view thereof;  
FIG. 6 is a top plan view thereof; and,  
FIG. 7 is a bottom plan view thereof.

The surface of the medicine ball with handles between the two sets of broken lines depicts environment and forms no part of the claimed design. The lace elements and their corresponding apertures, which are shown in between the two sets of broken lines, are shown in solid lines and do form part of the claimed design.

**1 Claim, 7 Drawing Sheets**

(56) **References Cited**  
U.S. PATENT DOCUMENTS

D370,951 S \* 6/1996 Lazar ..... D21/692  
5,735,776 A \* 4/1998 Swezey ..... A63B 21/0085  
473/596  
D464,095 S \* 10/2002 Yu ..... D21/662  
6,514,179 B1 \* 2/2003 Yu ..... A63B 21/0004  
482/110  
D568,950 S \* 5/2008 Yewer, Jr. .... D21/662  
D651,671 S \* 1/2012 Ross ..... D21/662  
D659,204 S \* 5/2012 Cotter ..... A63B 43/02  
D21/662  
D718,825 S \* 12/2014 Ross ..... D21/662  
D725,724 S \* 3/2015 Bellantuono ..... D21/682  
9,616,269 B1 \* 4/2017 Burosh ..... A63B 21/072  
9,623,274 B2 \* 4/2017 Holt, IV ..... A63B 21/072



(56)

**References Cited**

U.S. PATENT DOCUMENTS

2012/0053024 A1\* 3/2012 Mendoza ..... A63B 21/072  
482/106  
2013/0267390 A1\* 10/2013 Warren ..... A63B 21/0602  
482/93

\* cited by examiner

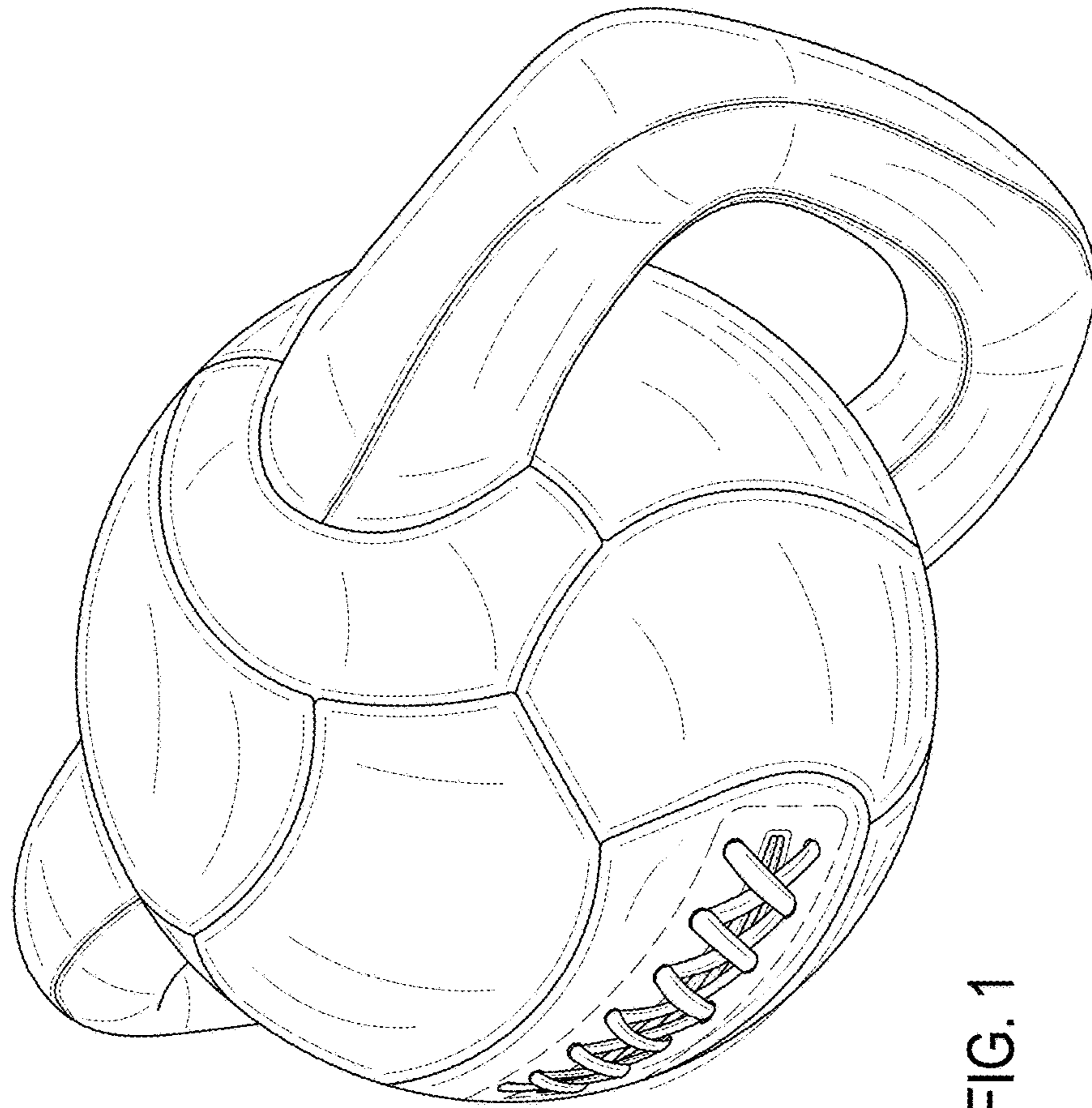


FIG. 1

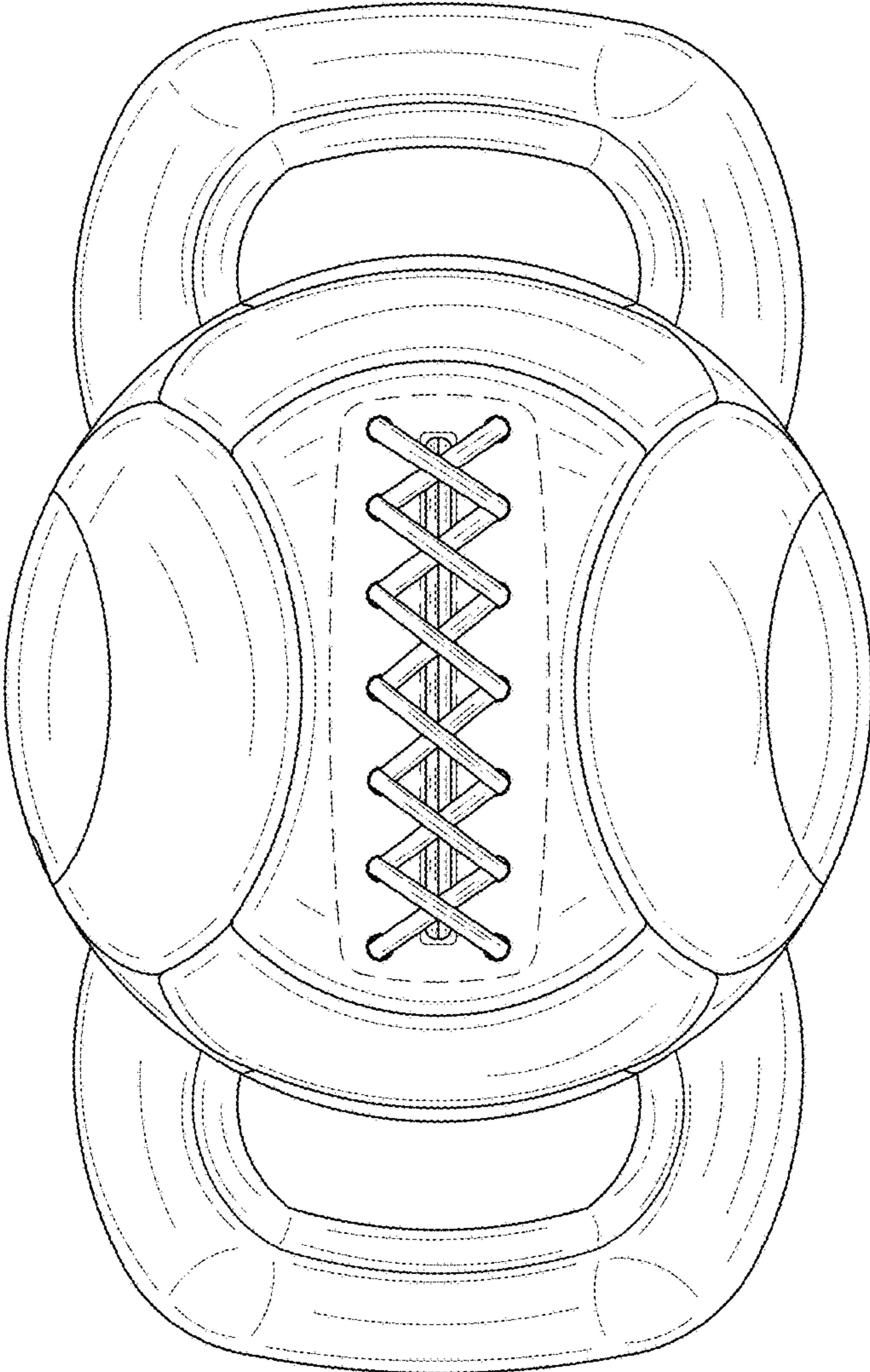


FIG. 2

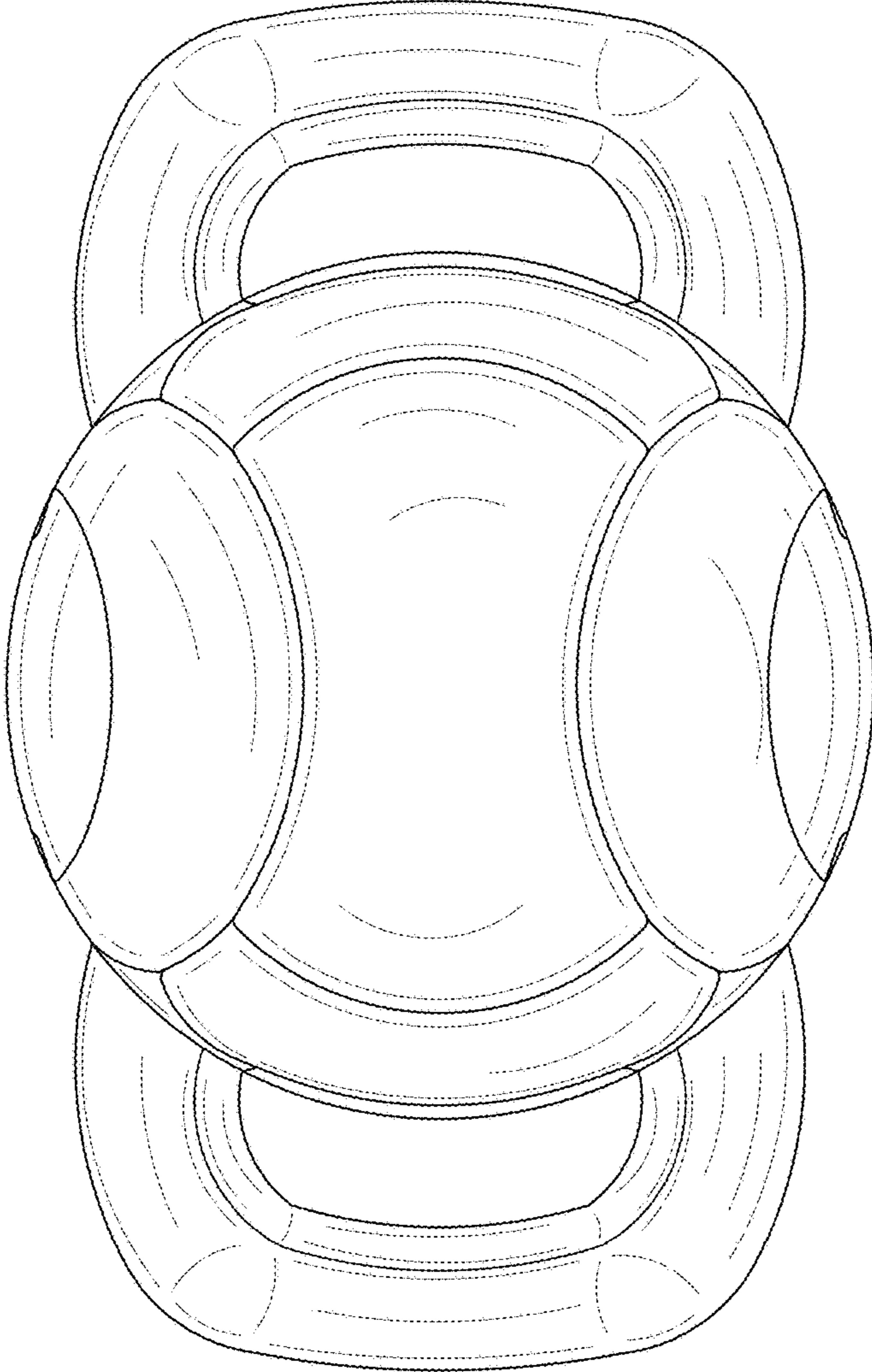


FIG. 3

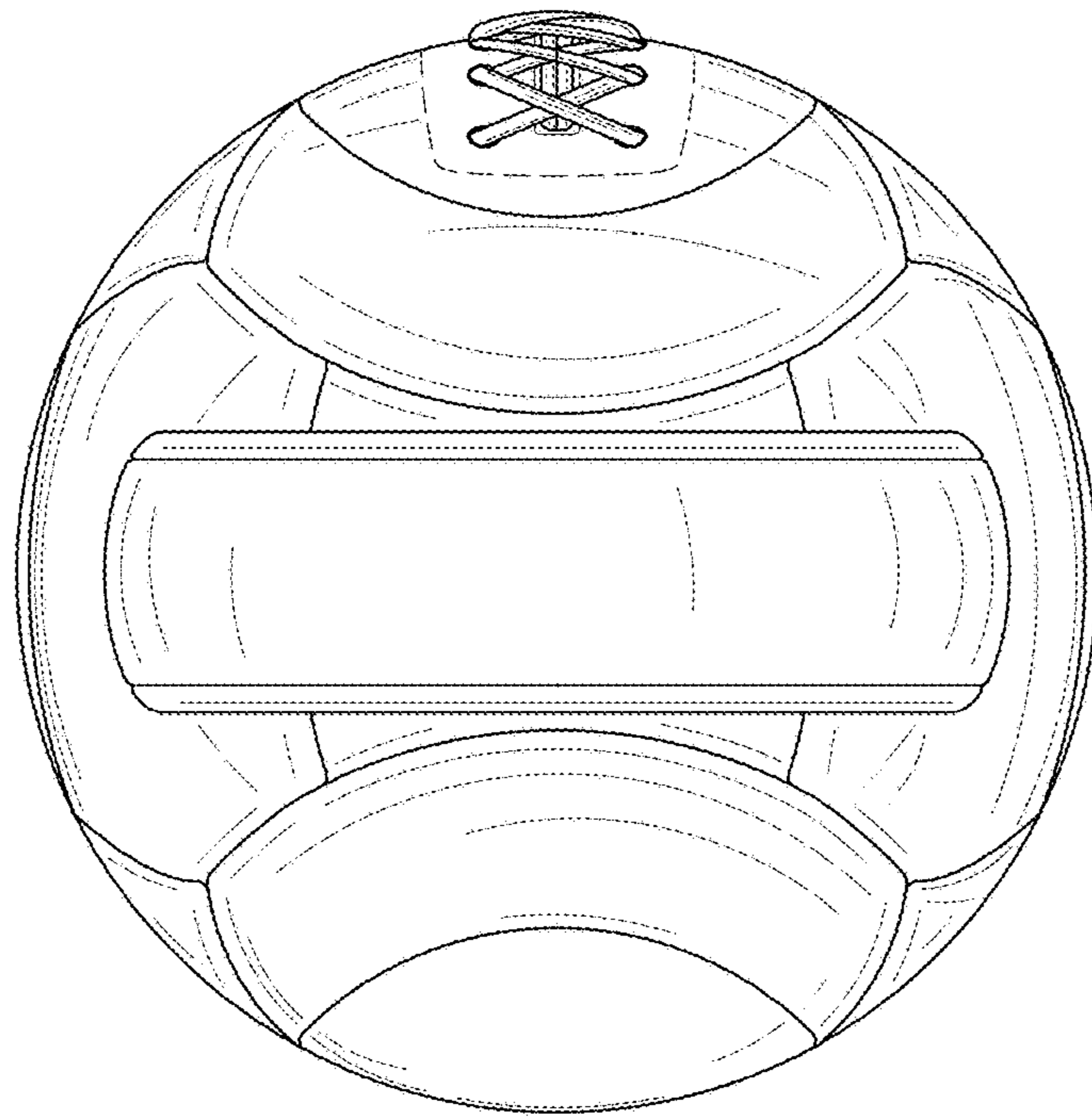


FIG. 4

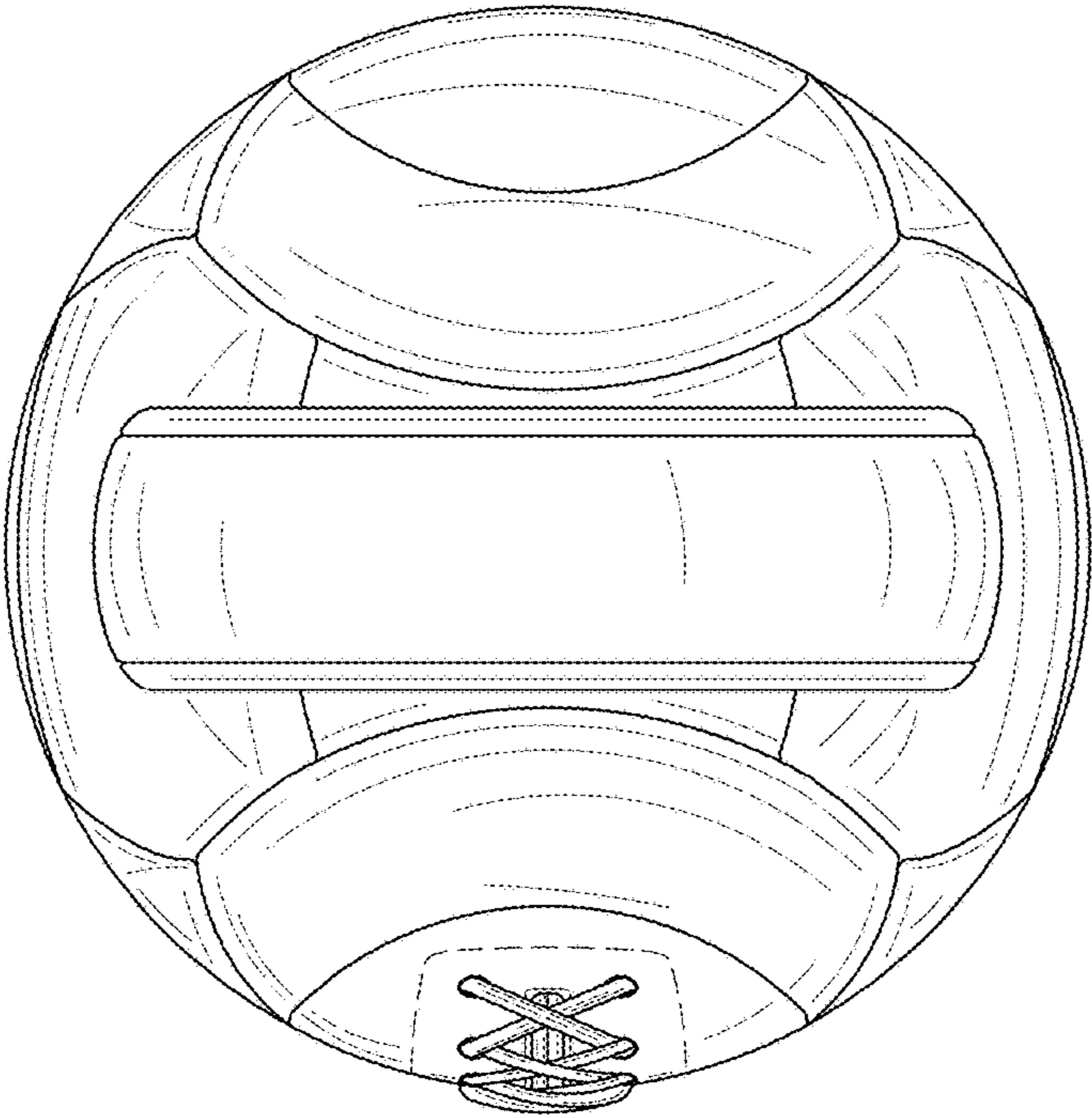


FIG. 5

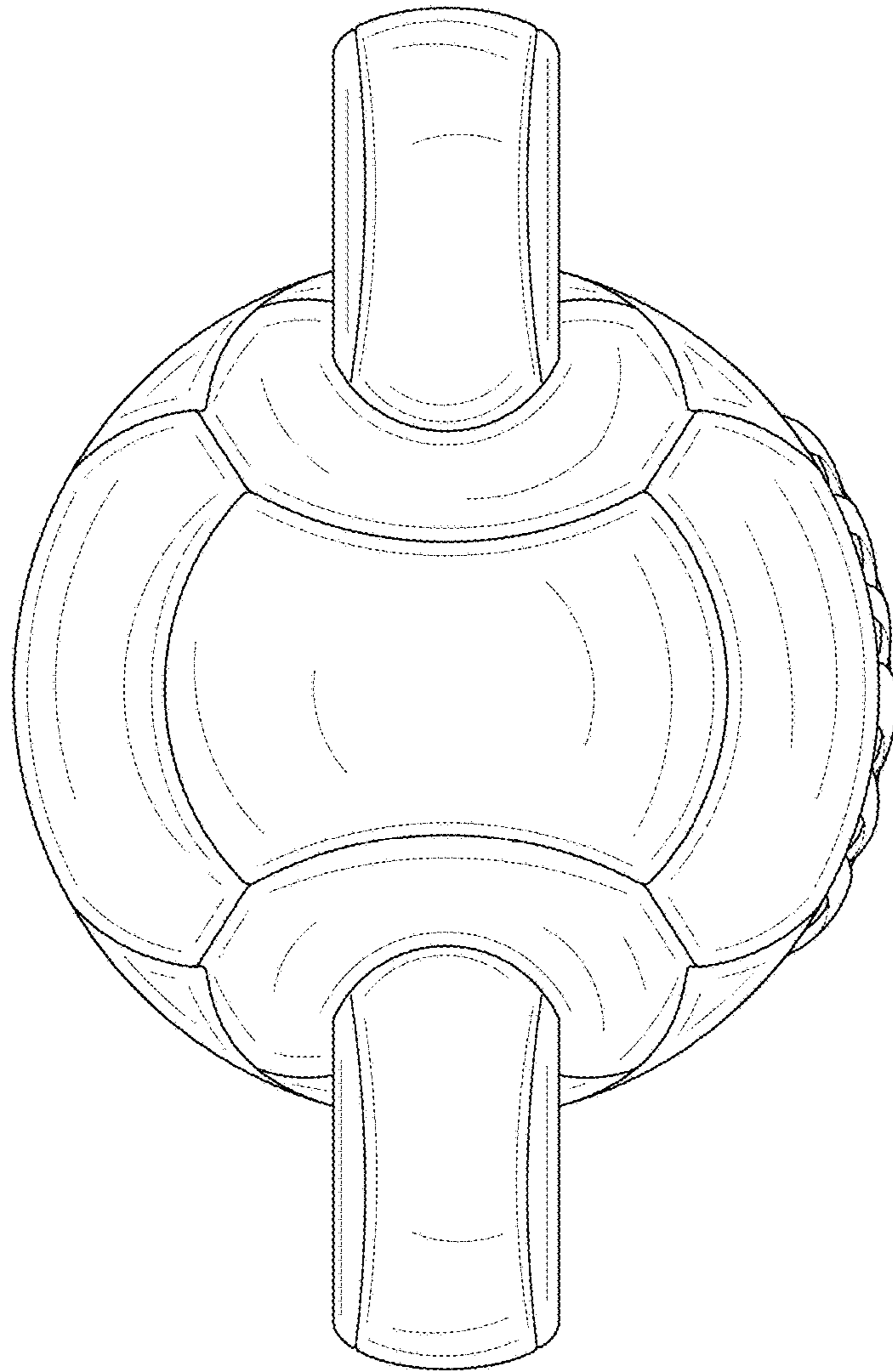


FIG. 6



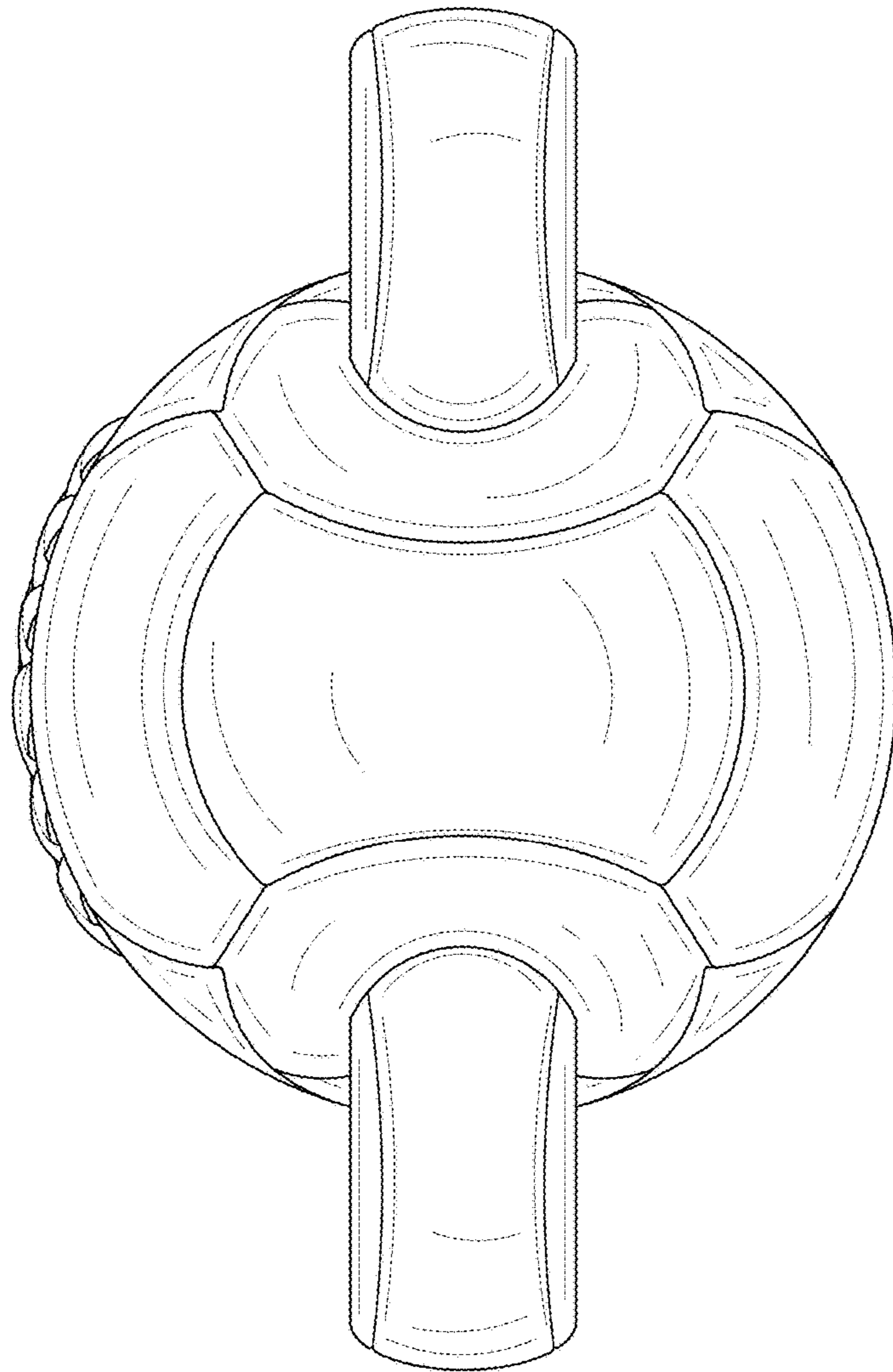


FIG. 7