



US00D843509S

(12) **United States Design Patent**
Goodwin

(10) **Patent No.:** **US D843,509 S**
(45) **Date of Patent:** **** Mar. 19, 2019**

(54) **FITNESS BLOCK WITH WEIGHT FASTENERS**

(71) Applicant: **Kyle H Goodwin**, St. Augustine, FL (US)

(72) Inventor: **Kyle H Goodwin**, St. Augustine, FL (US)

(**) Term: **15 Years**

(21) Appl. No.: **29/602,243**

(22) Filed: **Apr. 28, 2017**

(51) **LOC (11) Cl.** **21-02**

(52) **U.S. Cl.**
USPC **D21/680**

(58) **Field of Classification Search**
USPC D6/601, 691.4, 375, 334, 361, 349, 596, D6/604, 597, 691.3, 691.8, 374; D21/686, 687, 662, 797, 688, 484, 671, D21/690, 680; D24/190, 191, 192, 183, D24/186; 432/140; 482/141, 142, 121, 482/140, 23, 15, 127, 139, 35, 130, 148, 482/106; D12/410; D30/160; D25/118, D25/113, 114; 52/596, 677, 431, 603, 52/604, 605, 632, 630
CPC A63B 21/0552; A63B 21/4035; A63B 23/0211; A63B 21/4047; A63B 2210/50; A63B 2208/0204; A63B 21/0557; Y10S 482/907

See application file for complete search history.

(56) **References Cited**

U.S. PATENT DOCUMENTS

D377,397 S * 1/1997 Craig D25/118
D475,143 S * 5/2003 Hammer D25/118
D615,216 S * 5/2010 Jacot D25/118
D633,630 S * 3/2011 Jacot D25/118

D659,263 S * 5/2012 Jacot D25/113
D666,740 S * 9/2012 MacDonald D25/113
D666,741 S * 9/2012 MacDonald D25/113
D667,566 S * 9/2012 MacDonald D25/113
D673,303 S * 12/2012 D’Avela D25/114
2002/0112437 A1* 8/2002 Queen E04C 5/166
52/677
2010/0064621 A1* 3/2010 Steiger E04C 1/41
52/596
2012/0329623 A1* 12/2012 Ramirez A63B 21/00047
482/139

(Continued)

Primary Examiner — Ryan Harvey

(74) *Attorney, Agent, or Firm* — Jamin D. Rubenstein

(57) **CLAIM**

The ornamental design for a fitness block with weight fasteners, as shown and described.

DESCRIPTION

FIG. 1 is a perspective view of a fitness block with weight fasteners, depicting a rectangular shaped weight attached on a right side;

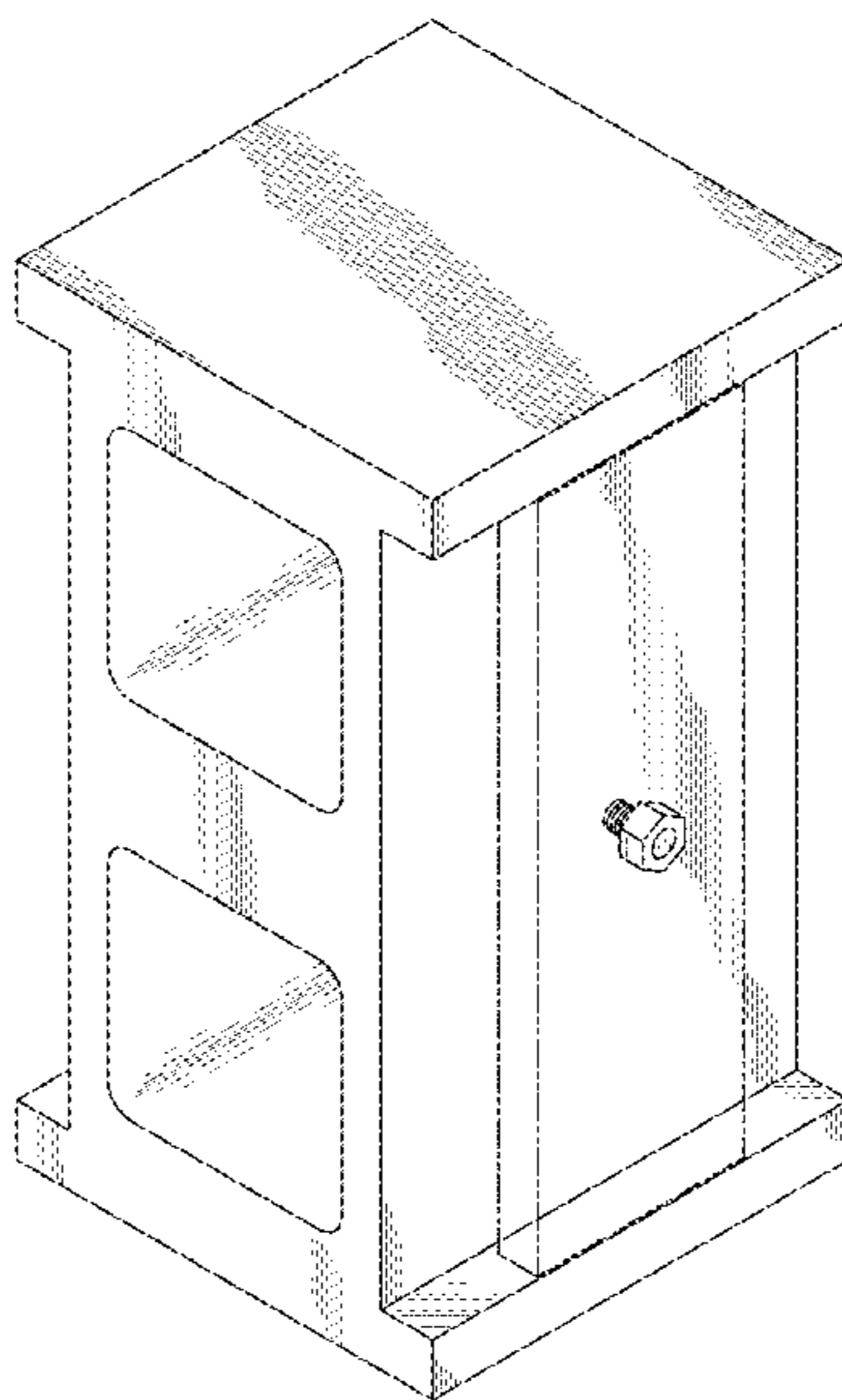
FIG. 2 is a front view of the fitness block with weight fasteners, depicting a rectangular shaped weight attached on a left side and the rectangular shaped weight attached on the right side;

FIG. 3 is a side view of the fitness block with weight fasteners, depicting the rectangular shaped weight attached; FIG. 4 is a top view and bottom view of the fitness block with weight fasteners;

FIG. 5 is a side view of the fitness block with weight fasteners, depicting a small circular shaped weight attached; and,

FIG. 6 is a side view of the fitness block with weight fasteners, depicting a large circular shaped weight attached. In the drawings, the dash-dot-dot-dash line showing a weight depicts environment, and forms no part of the claim.

1 Claim, 3 Drawing Sheets



(56)

References Cited

U.S. PATENT DOCUMENTS

2013/0274078 A1 * 10/2013 Andrews A63B 23/1227
482/141

* cited by examiner

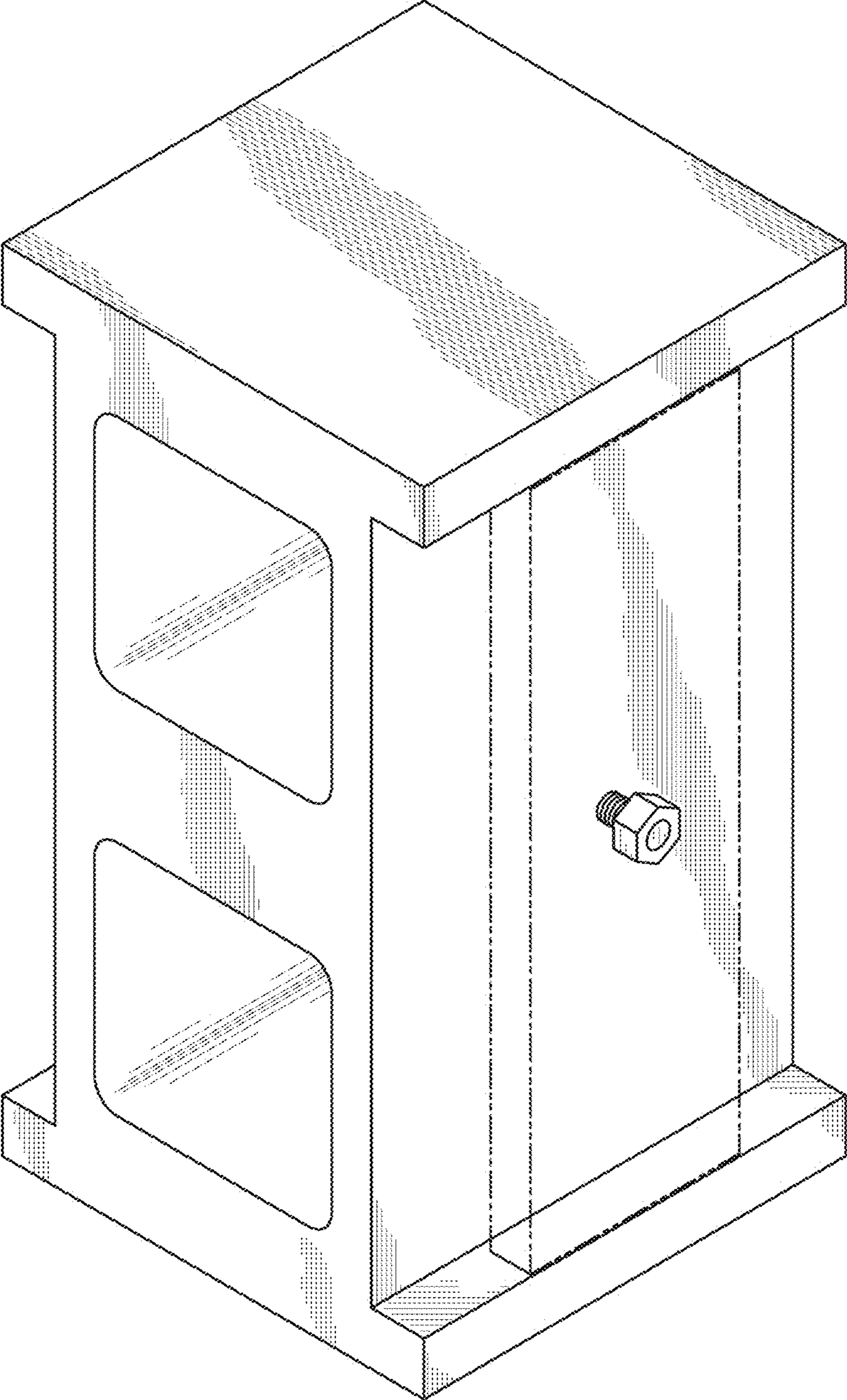


Fig. 1

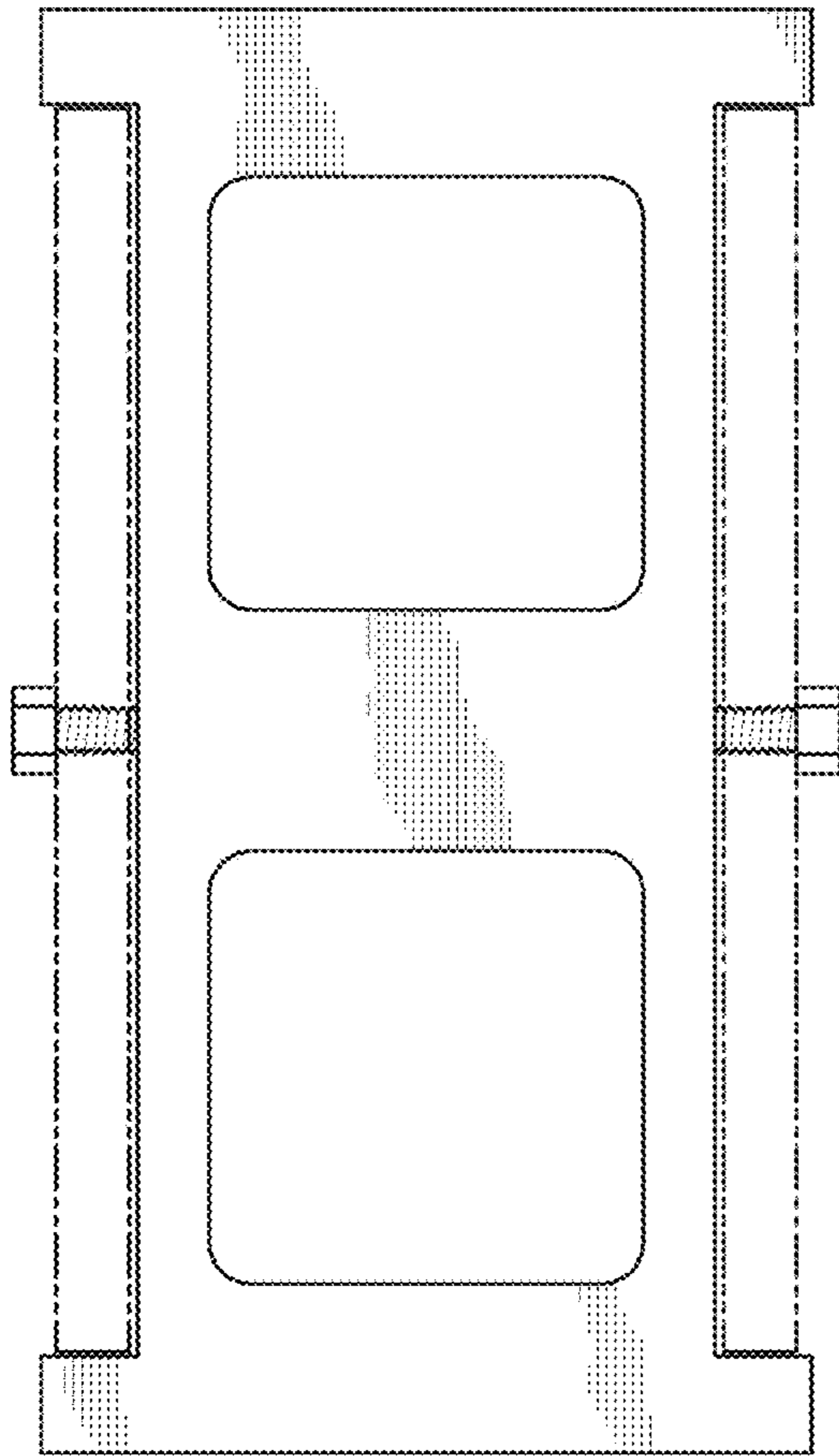


Fig. 2

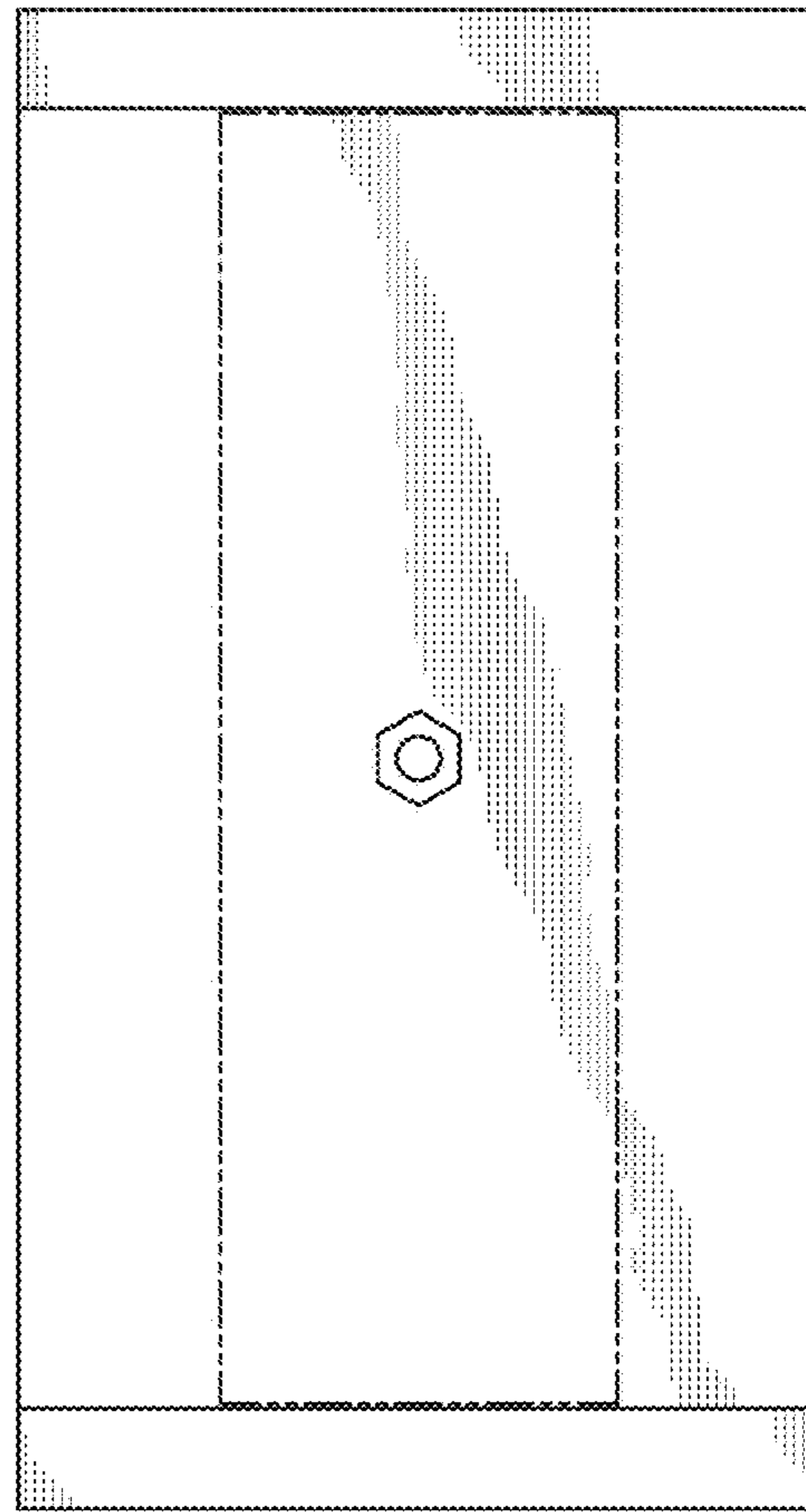


Fig. 3

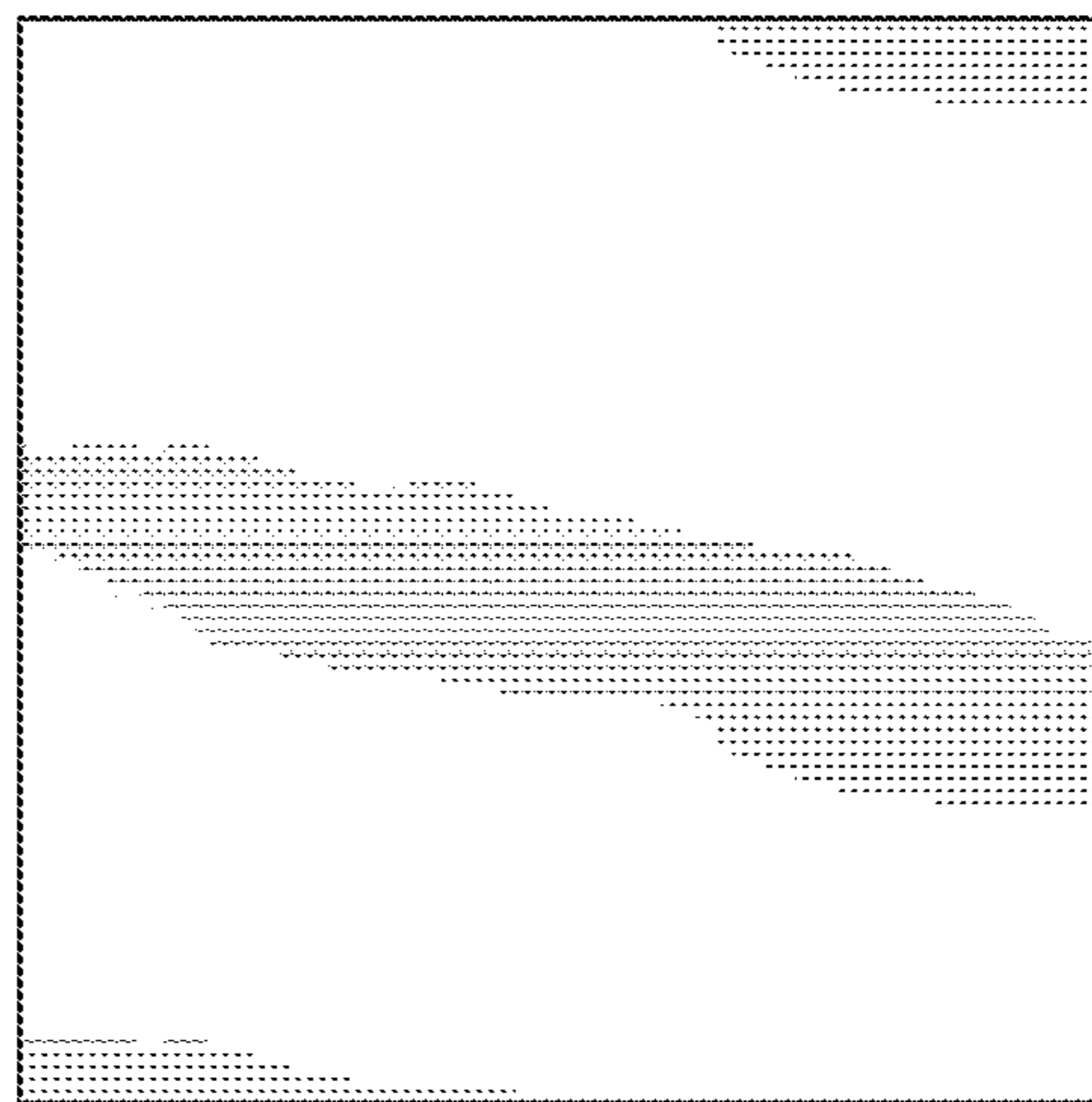


Fig. 4

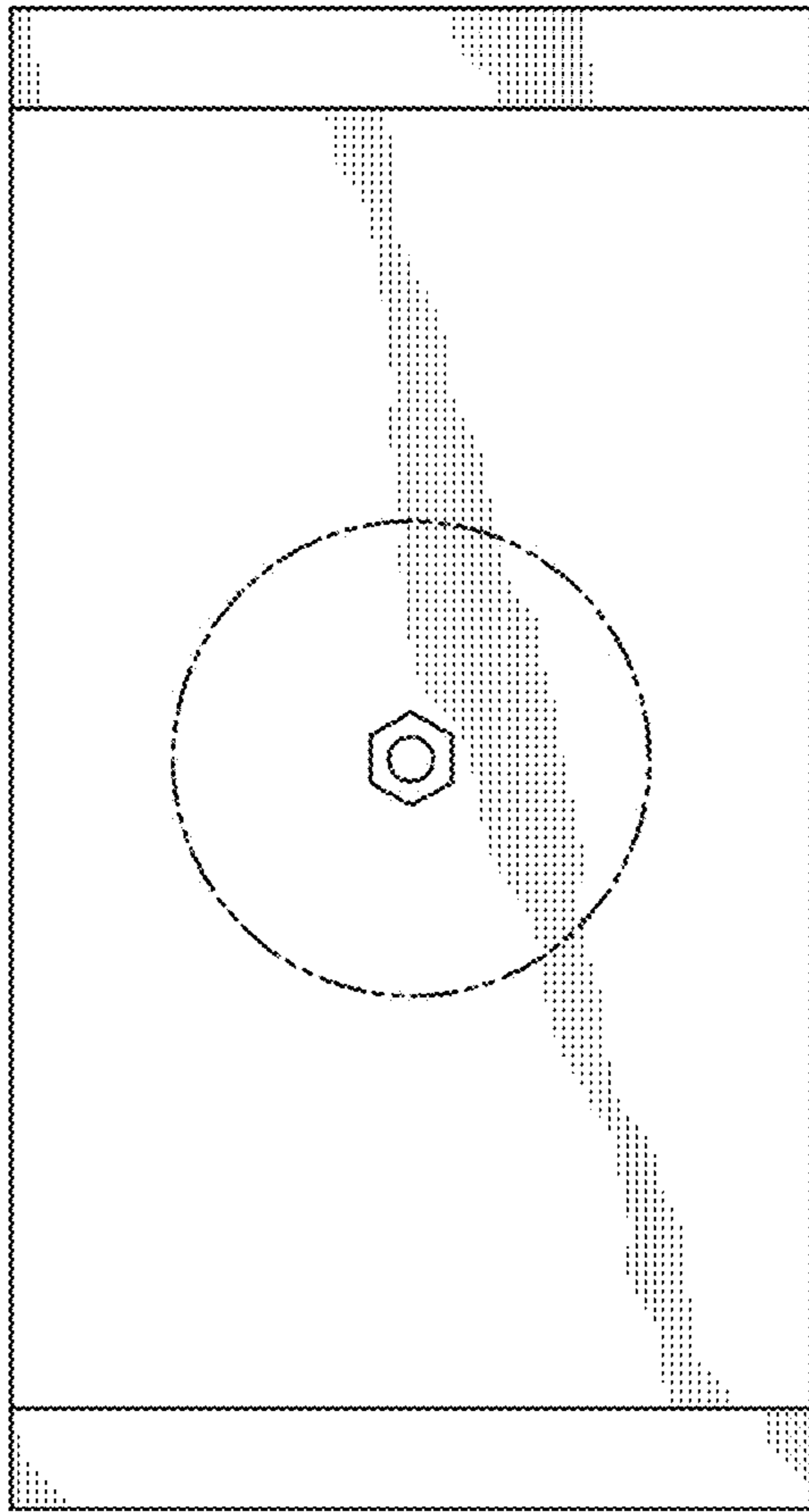


Fig. 5

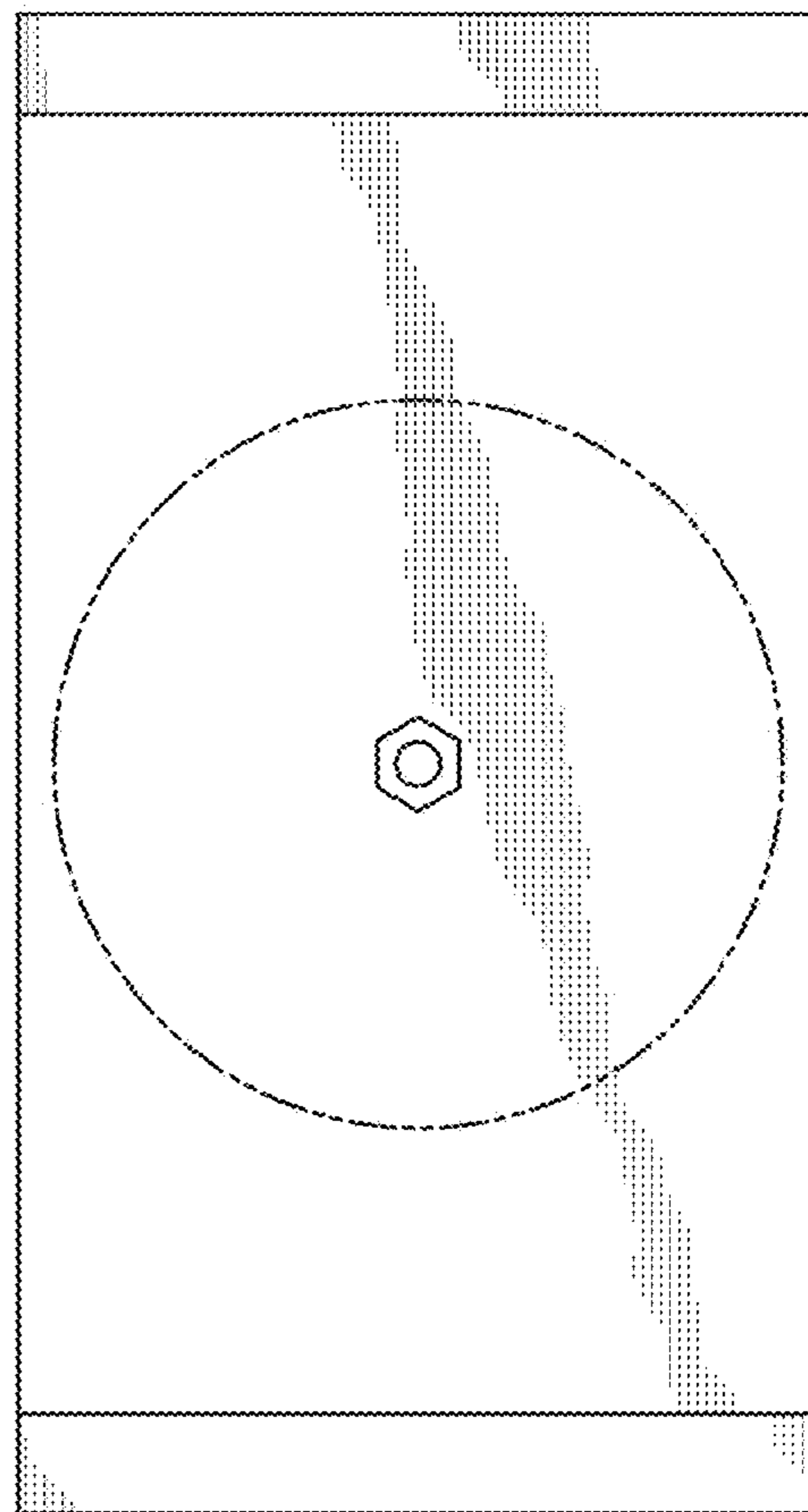


Fig. 6