



US00D843506S

(12) **United States Design Patent**
Campanaro et al.

(10) **Patent No.:** **US D843,506 S**
(45) **Date of Patent:** **** Mar. 19, 2019**

- (54) **EXERCISE DEVICE HANDLE**
- (71) Applicant: **Total Gym Global Corp.**, Carlsbad, CA (US)
- (72) Inventors: **Thomas J. Campanaro**, Rancho Santa Fe, CA (US); **Jesse T. Campanaro**, San Diego, CA (US)
- (73) Assignee: **Total Gym Global Corp.**, Carlsbad, CA (US)
- (**) Term: **15 Years**
- (21) Appl. No.: **29/662,367**
- (22) Filed: **Sep. 5, 2018**
- (51) **LOC (11) Cl.** **21-02**
- (52) **U.S. Cl.**
USPC **D21/679**
- (58) **Field of Classification Search**
USPC D21/673, 679, 682, 694, 662, 684, 686, D21/691; 482/139, 93, 98, 38, 39, 108, 482/40, 148, 904; D32/35, 50; D8/45, D8/316
CPC ... A63B 21/4035; A63B 1/00; A63B 21/4017; A63B 23/1218; A63B 21/072; A63B 21/0724
See application file for complete search history.

D394,482 S *	5/1998	Colonello	D21/673
D396,510 S *	7/1998	Marney	D21/684
7,093,698 B1 *	8/2006	Chen	B62K 21/14 188/379
D565,133 S *	3/2008	Mollet	D21/694
7,350,437 B2 *	4/2008	Mangano	B62K 21/12 74/551.1
D662,161 S *	6/2012	Miller	D21/662
D725,455 S *	3/2015	Carlini	D8/303
9,254,410 B1 *	2/2016	Mirza	A63B 21/0004
D777,625 S *	1/2017	Chang	D12/178
D812,158 S *	3/2018	Campanaro	D21/690
D812,159 S *	3/2018	Campanaro	D21/690
D815,575 S *	4/2018	Temmerman	D12/178
2005/0143230 A1 *	6/2005	Dalebout	A63B 21/00072 482/121
2010/0018341 A1 *	1/2010	Greppi	B62K 21/12 74/551.1

(Continued)

Primary Examiner — Ryan Harvey
(74) *Attorney, Agent, or Firm* — Procopio Cory Hargreaves and Savitch LLP

(57) **CLAIM**

The ornamental design for an exercise device handle, as shown and described.

DESCRIPTION

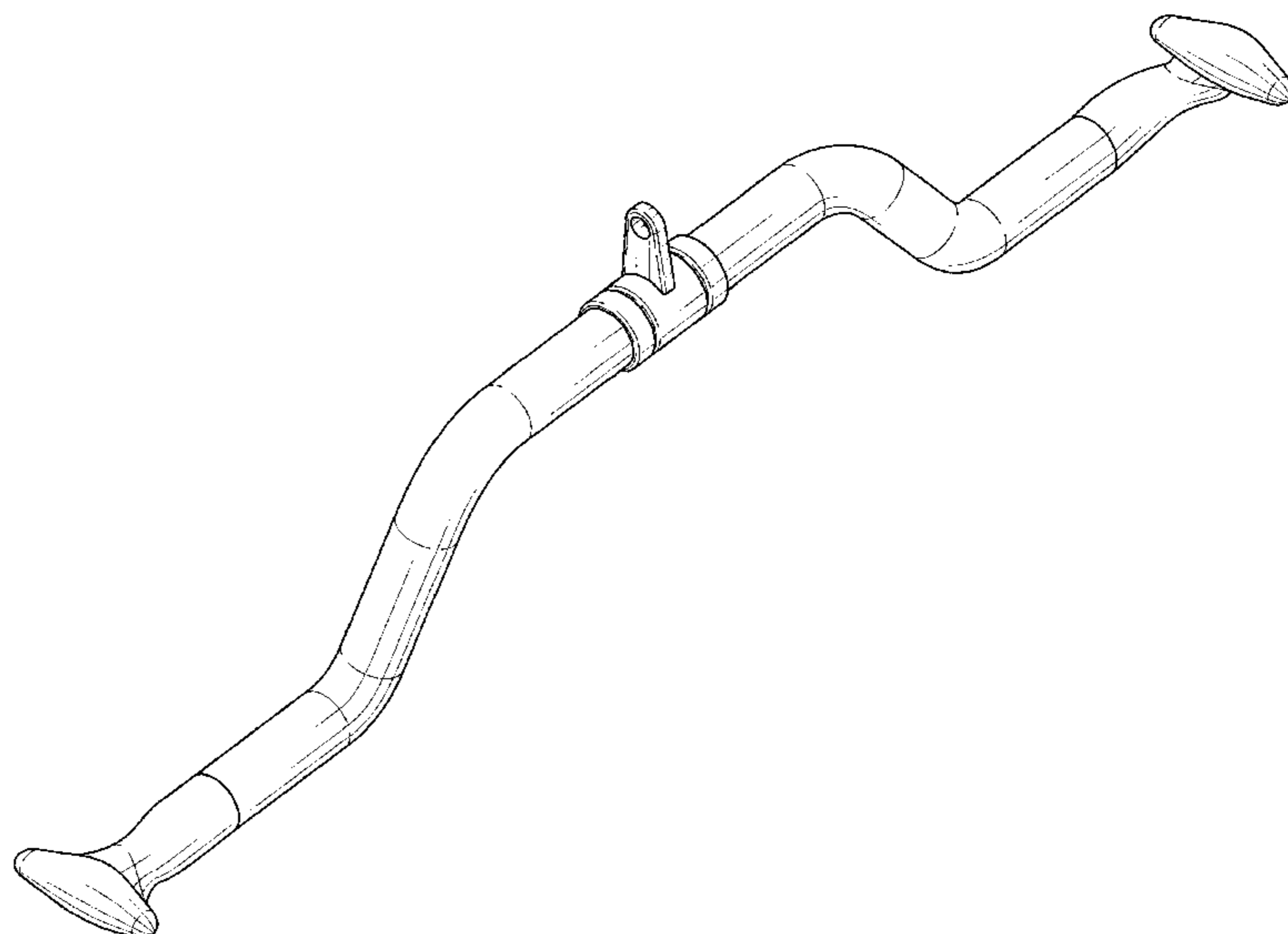
FIG. 1 is a perspective view of the exercise device handle; FIG. 2 is a front elevation view of the exercise device handle; FIG. 3 is a rear elevation view of the exercise device handle; FIG. 4 is a left elevation view of the exercise device handle; FIG. 5 is a right elevation view of the exercise device handle; FIG. 6 is a top plan view of the exercise device handle; and, FIG. 7 is a bottom plan view of the exercise device handle.

1 Claim, 4 Drawing Sheets

(56) **References Cited**

U.S. PATENT DOCUMENTS

D226,151 S *	1/1973	Pawsat	D12/178
3,837,642 A *	9/1974	Martin	A63B 21/068 482/38
D262,730 S *	1/1982	Lambert, Jr.	D21/694
D324,894 S *	3/1992	Porcello	D21/679
5,312,314 A *	5/1994	Stephan	A63B 21/0602 482/106



(56)

References Cited

U.S. PATENT DOCUMENTS

2010/0186543 A1* 7/2010 Menghini B62K 21/12
74/551.1
2018/0001127 A1* 1/2018 Caouette A63B 21/0442

* cited by examiner

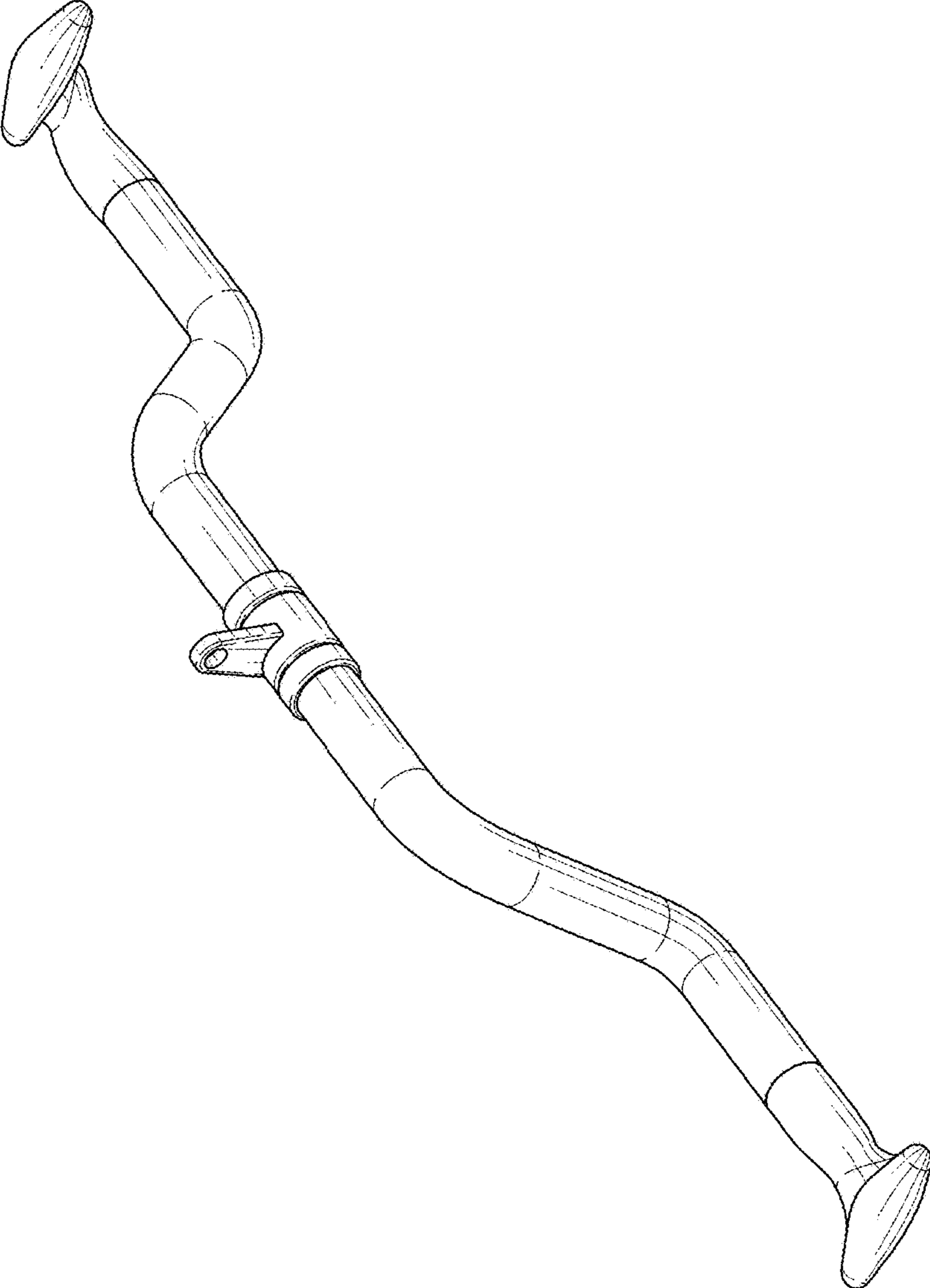


FIG. 1

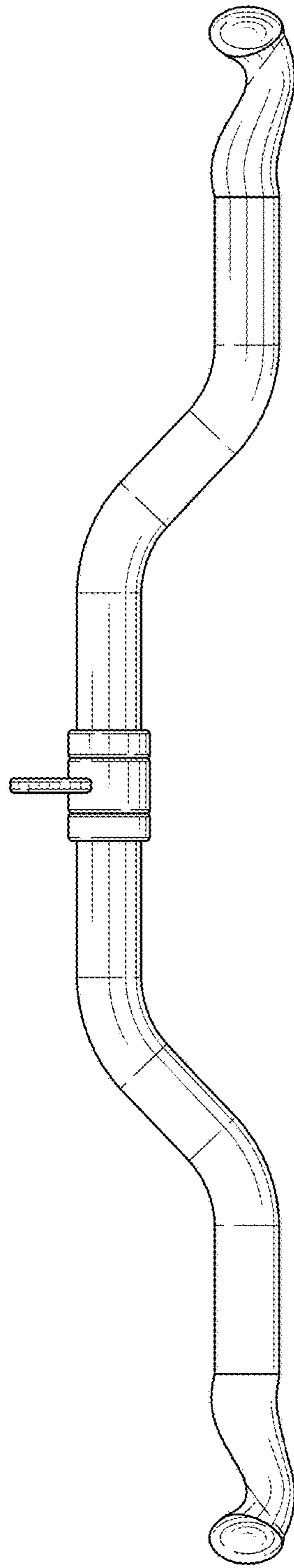


FIG. 2

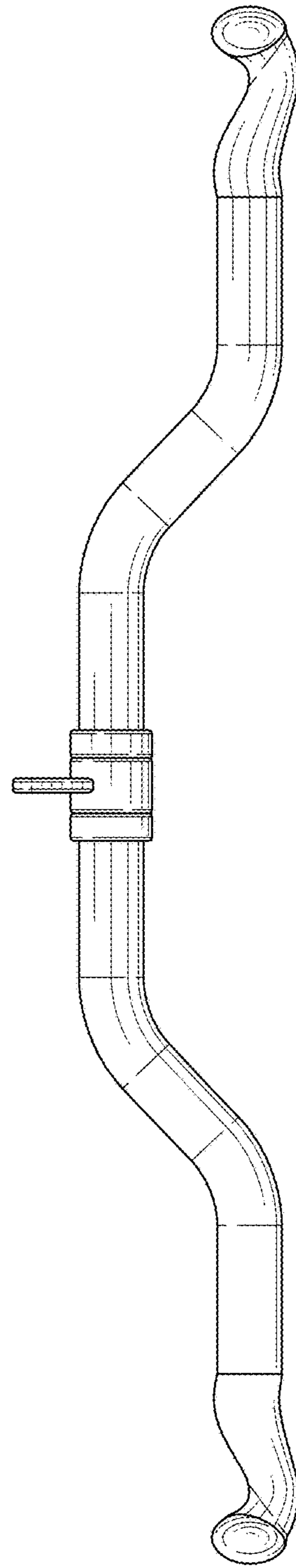


FIG. 3

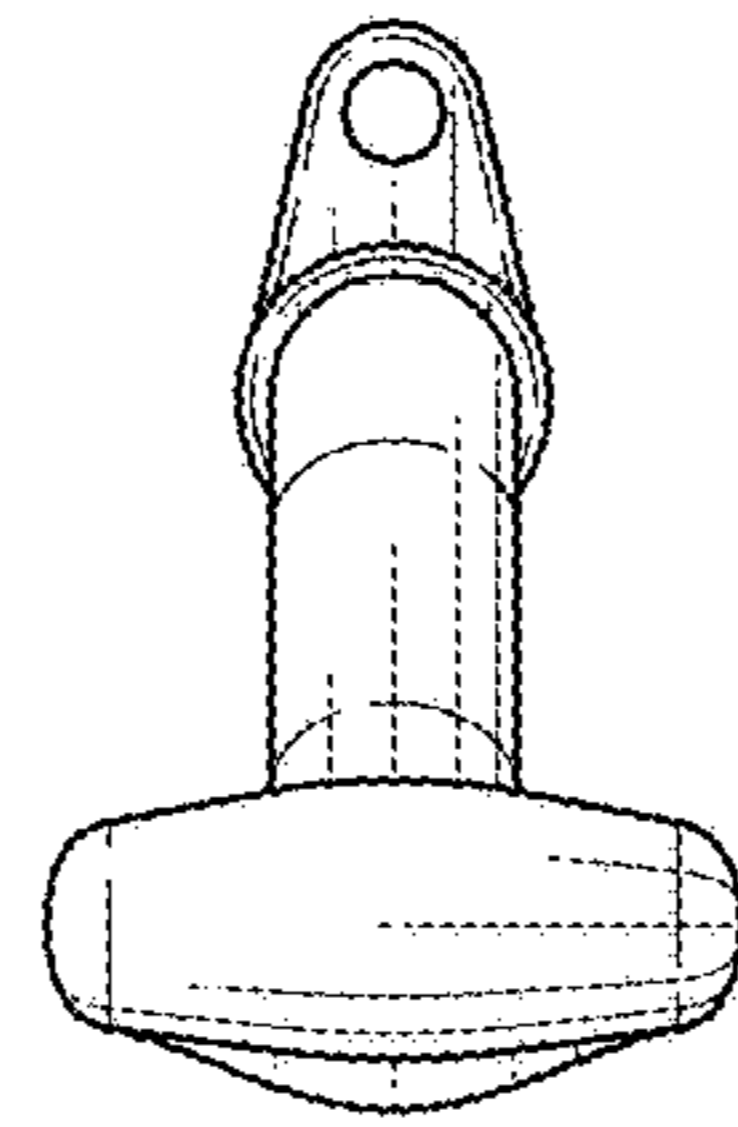


FIG. 4

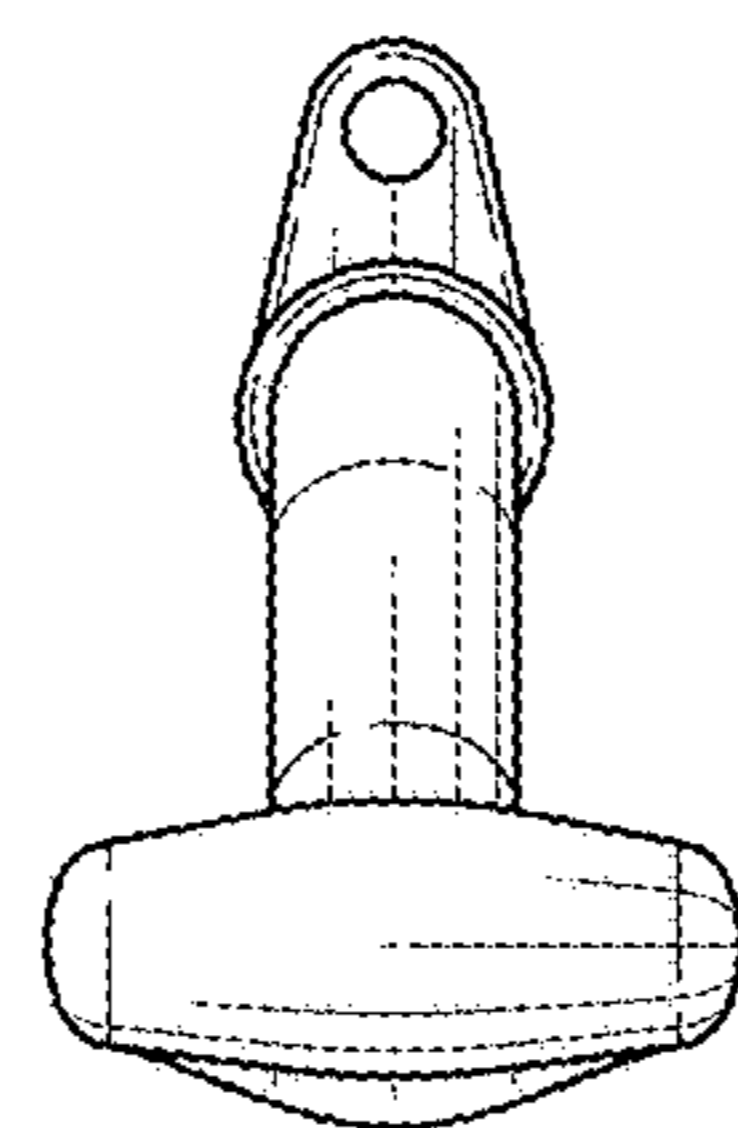


FIG. 5

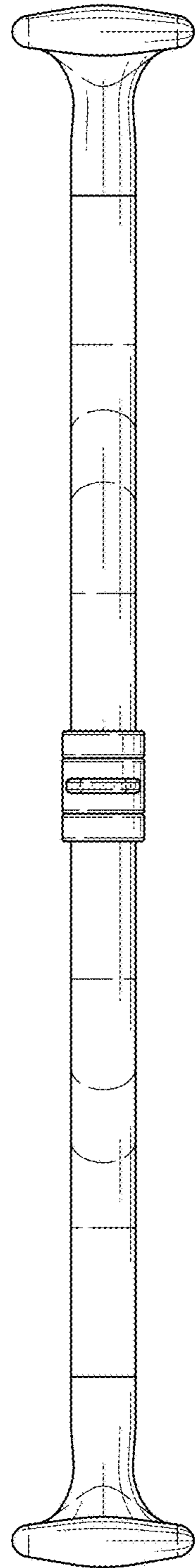


FIG. 6

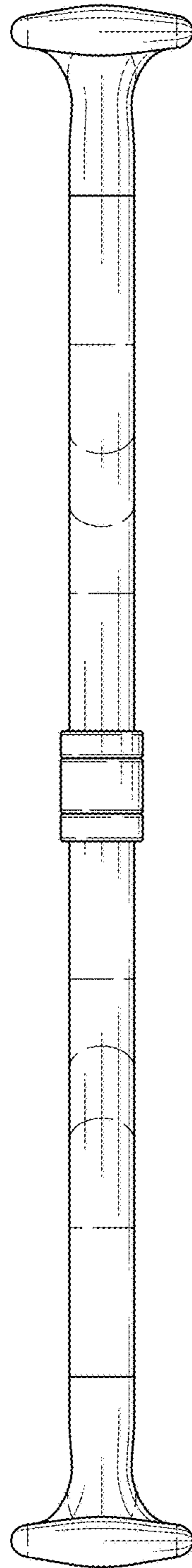


FIG. 7