



US00D843504S

(12) **United States Design Patent**  
**Wu et al.**

(10) **Patent No.:** **US D843,504 S**  
(45) **Date of Patent:** **\*\* Mar. 19, 2019**

(54) **WALKING REHABILITATION MACHINE**

(71) Applicant: **HIWIN TECHNOLOGIES CORP.**,  
Taichung (TW)

(72) Inventors: **Yi-Jing Wu**, Taichung (TW);  
**Shou-Yang Huang**, Taichung (TW)

(73) Assignee: **Hiwin Technologies Corp.**, Taichung  
(TW)

(\*\*) Term: **15 Years**

(21) Appl. No.: **29/609,867**

(22) Filed: **Jul. 6, 2017**

(51) **LOC (11) Cl.** ..... **21-02**

(52) **U.S. Cl.**  
USPC ..... **D21/670**

(58) **Field of Classification Search**  
USPC ..... D21/663, 667, 666, 697, 694, 665, 668,  
D21/664, 690, 676, 670; 482/57, 62,  
482/111, 139, 145, 60, 51, 123, 72, 61,  
482/58, 9; 74/502.4, 502.6, 594.2, 594.1,  
74/48; D12/178, 411, 345; D23/382,  
D23/381, 378, 412, 411; D13/115;  
D15/7

CPC . A63B 22/0605; A63B 21/225; A63B 22/001;  
A63B 22/0664; A63B 21/4047

See application file for complete search history.

(56) **References Cited**

**U.S. PATENT DOCUMENTS**

5,810,696 A \* 9/1998 Webb ..... A63B 21/00845  
482/52

D405,852 S \* 2/1999 McBride ..... D21/668  
D565,130 S \* 3/2008 Olson ..... D21/670  
D624,613 S \* 9/2010 Hsiung ..... D21/668  
D695,856 S \* 12/2013 Jacobs ..... D21/668  
10,022,587 B1 \* 7/2018 Wu ..... A63B 22/0056  
2009/0011905 A1 \* 1/2009 McKee ..... A63B 22/0002  
482/52

\* cited by examiner

*Primary Examiner* — Ryan Harvey

(74) *Attorney, Agent, or Firm* — Wang Law Firm, Inc.

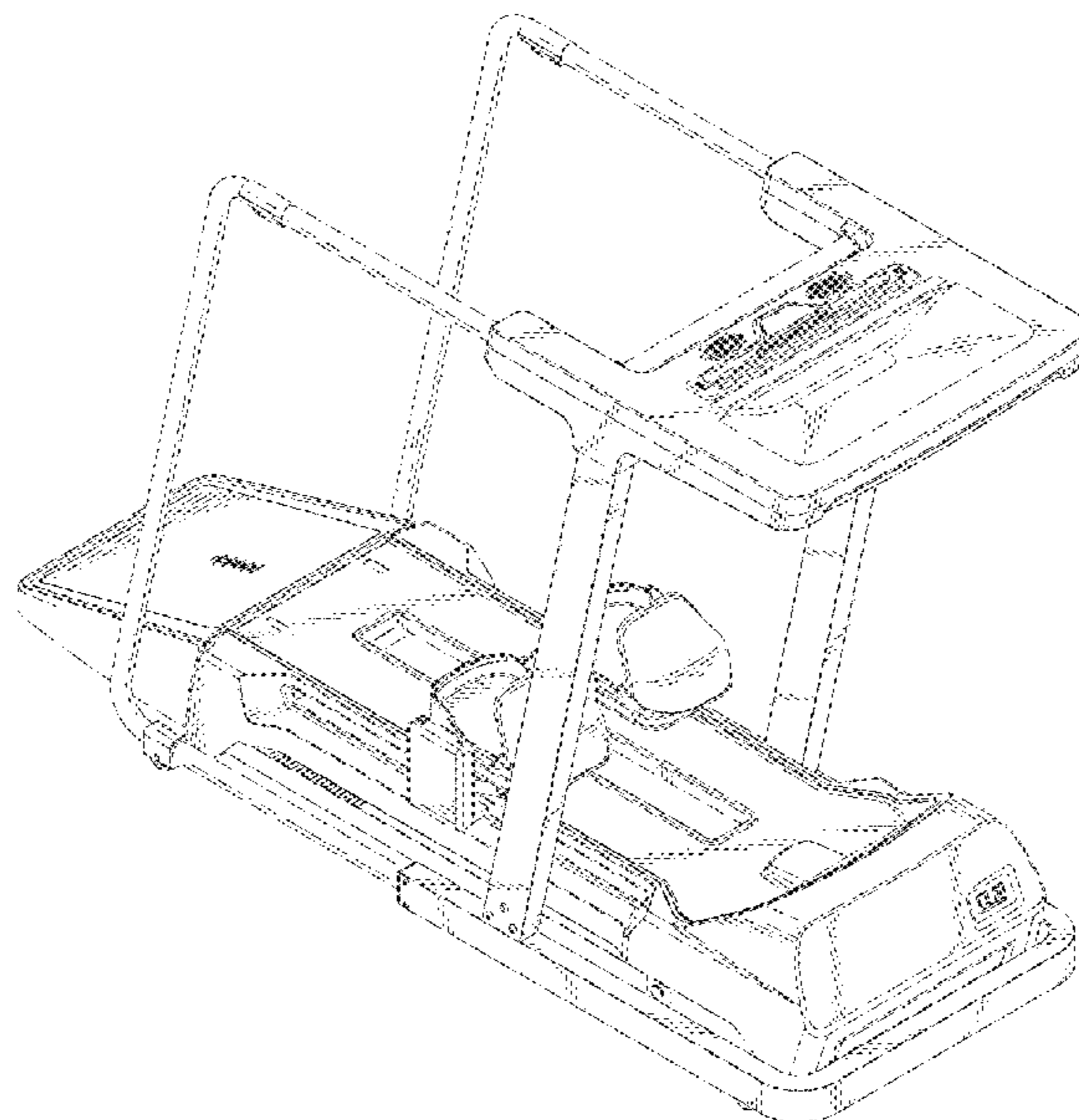
(57) **CLAIM**

The ornamental design for a walking rehabilitation machine,  
as shown.

**DESCRIPTION**

FIG. 1 is a perspective view of a walking rehabilitation machine showing my new design;  
FIG. 2 is a front view thereof;  
FIG. 3 is a rear view thereof;  
FIG. 4 is a left side view thereof,  
FIG. 5 is a right side view thereof,  
FIG. 6 is a top plan view thereof;  
FIG. 7 is a bottom plan view thereof; and  
FIG. 8 is another perspective view thereof; and,  
FIG. 9 is another perspective view from the bottom.

**1 Claim, 8 Drawing Sheets**



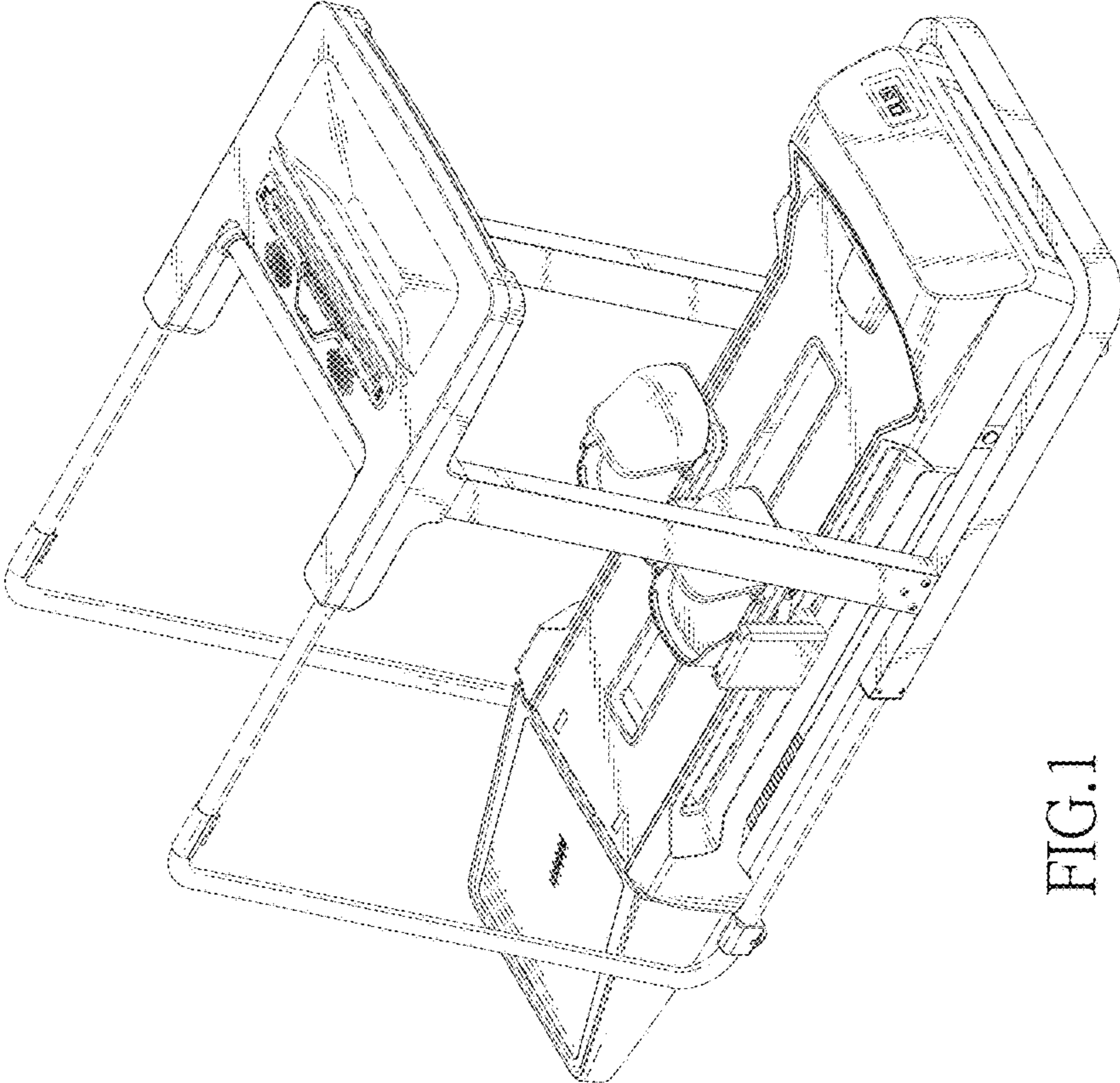


FIG.1

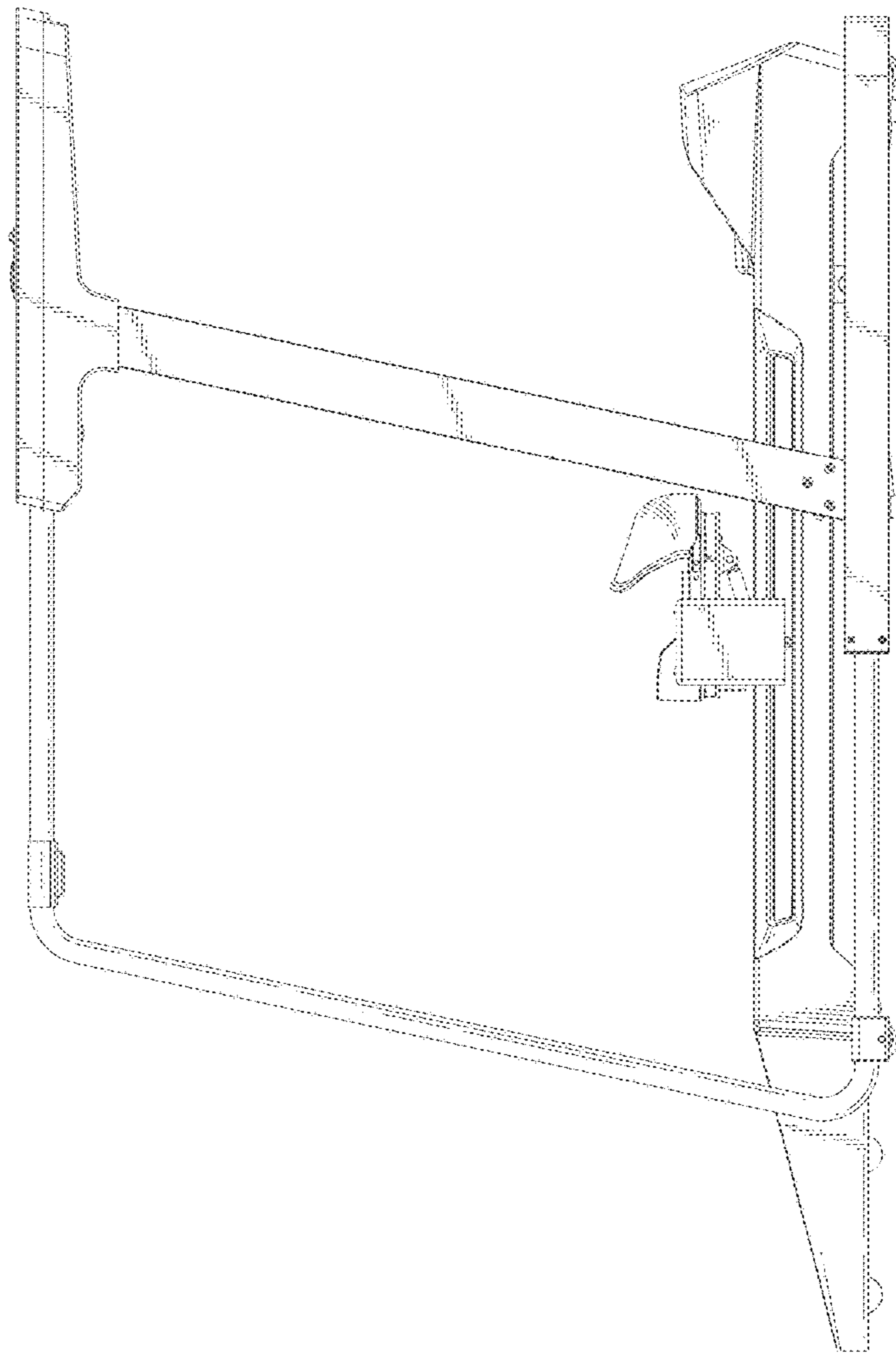


FIG.2

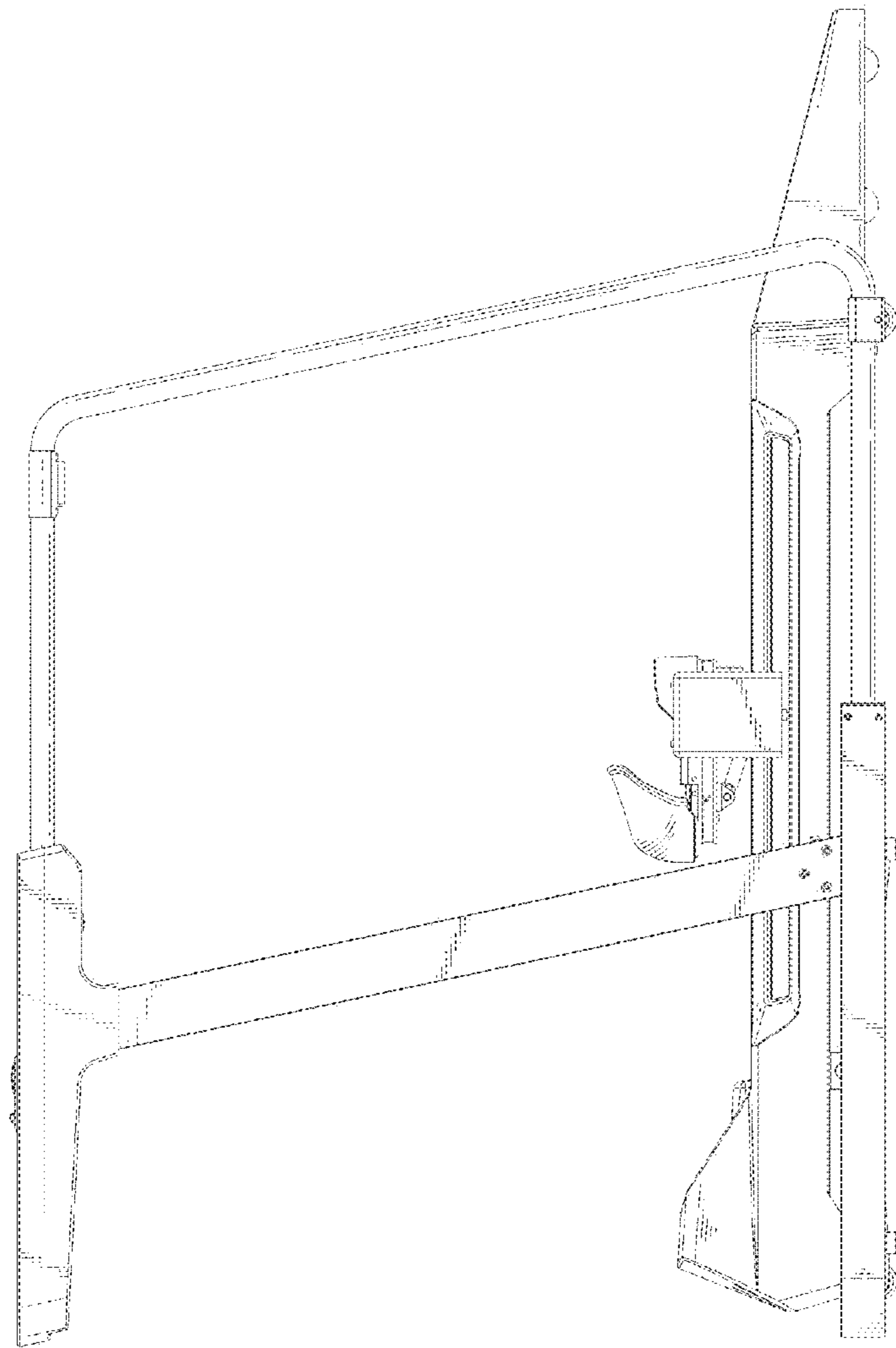


FIG. 3

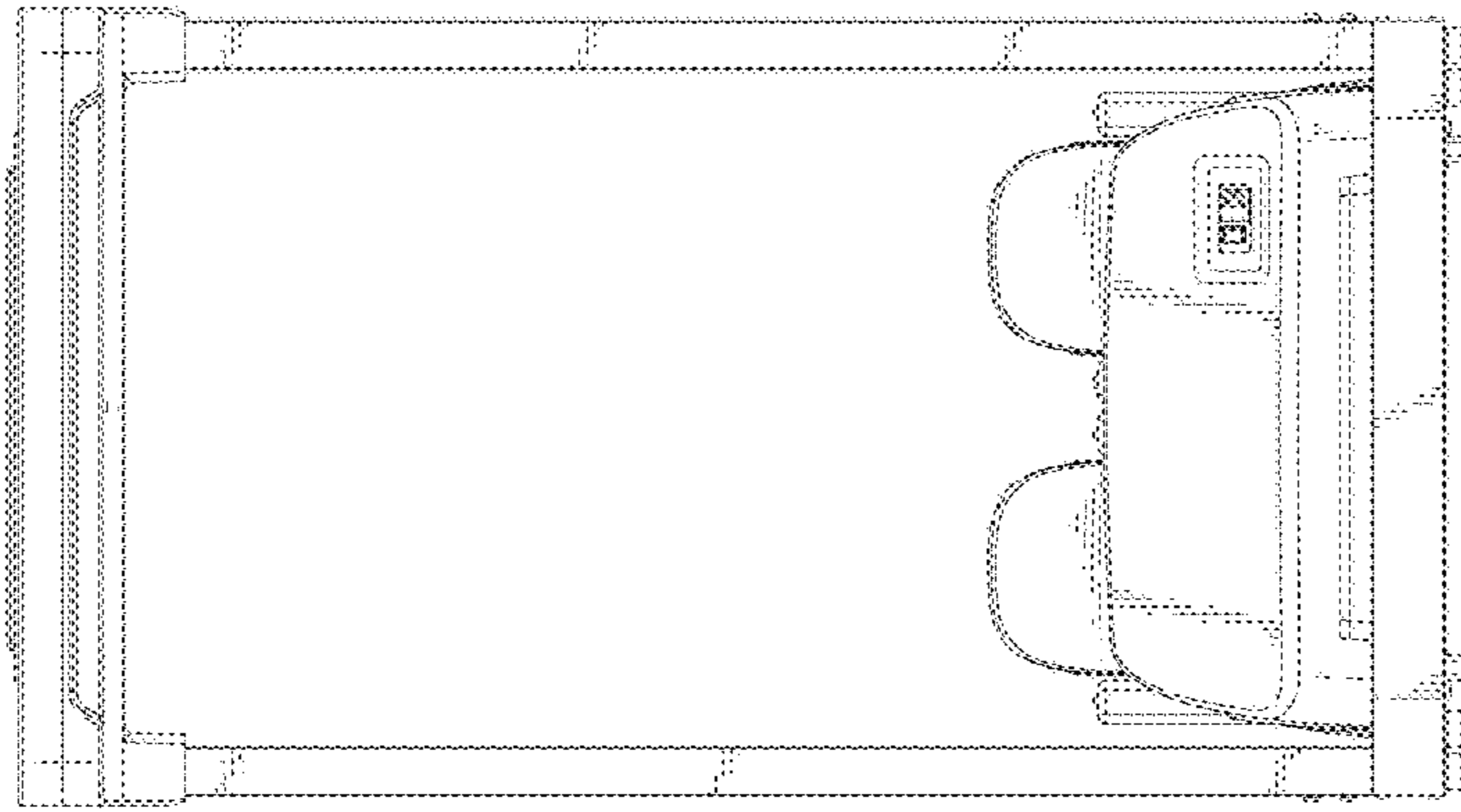


FIG.5

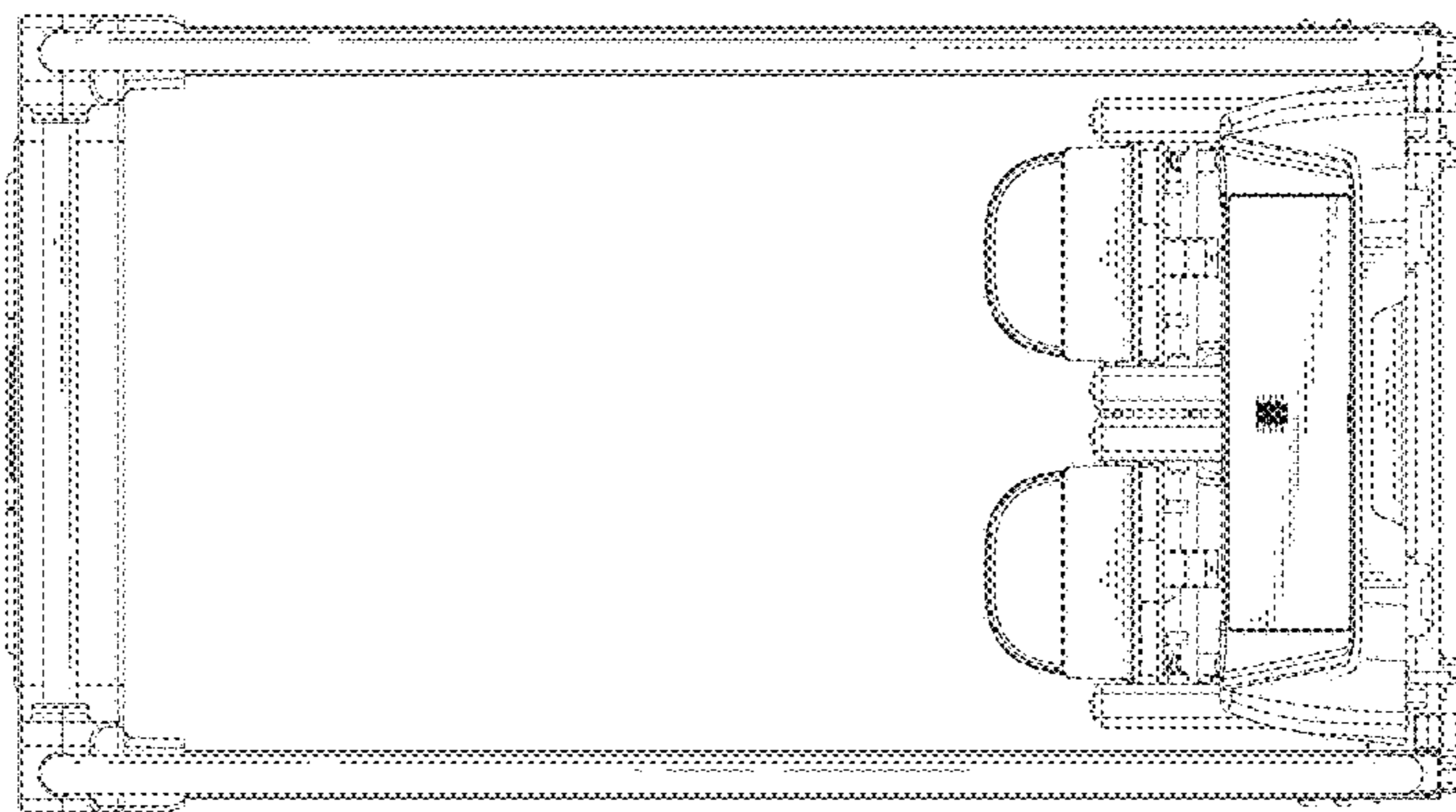


FIG.4

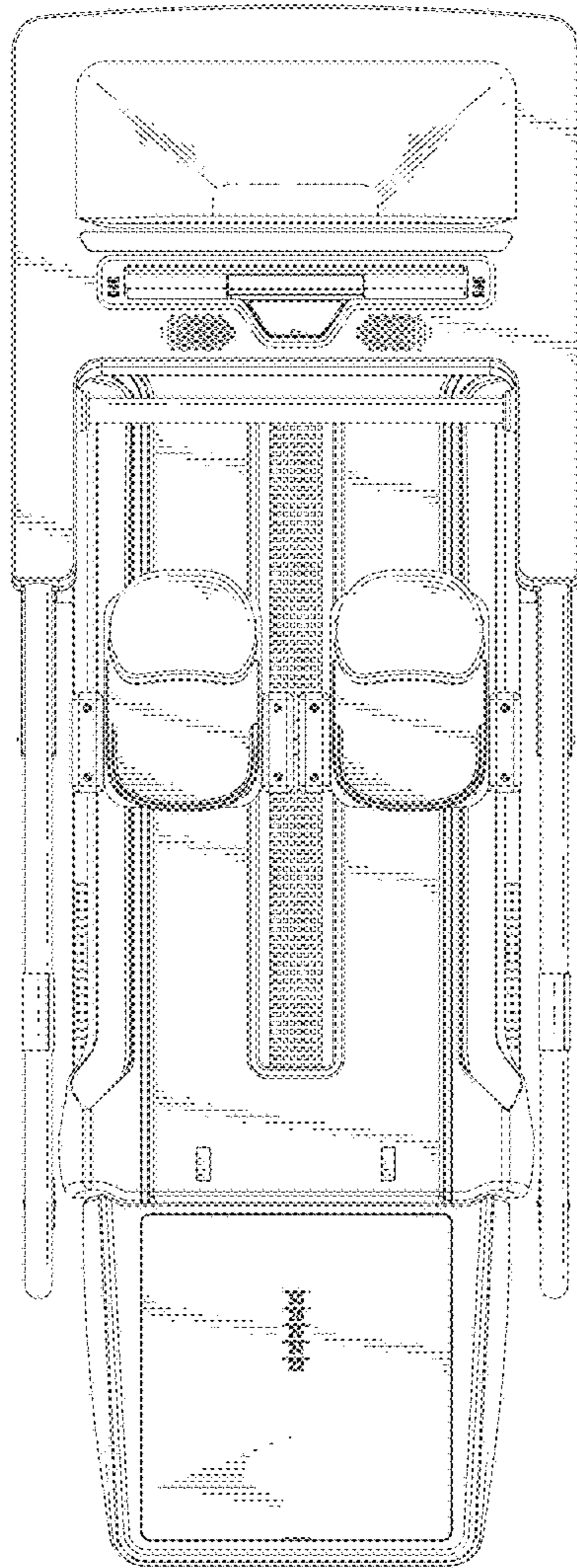


FIG. 6

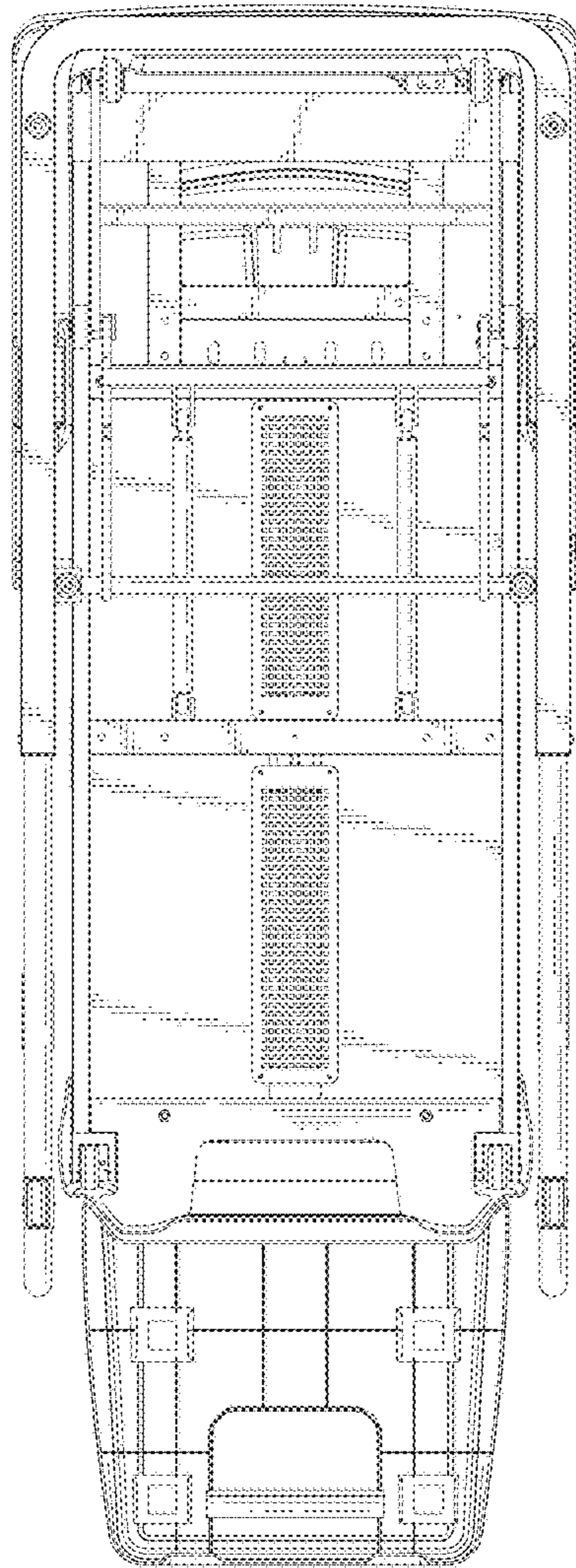


FIG.7

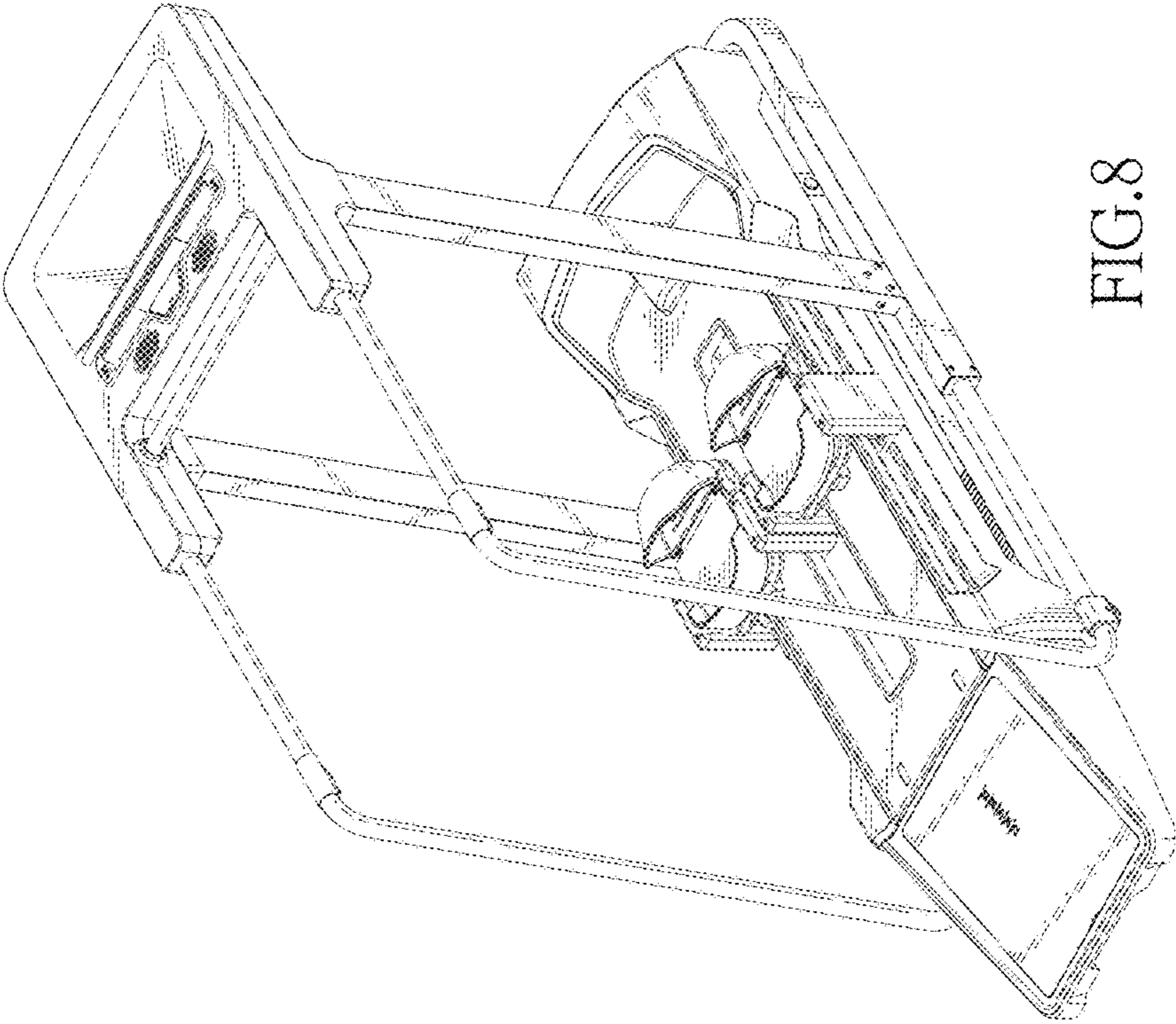


FIG. 8



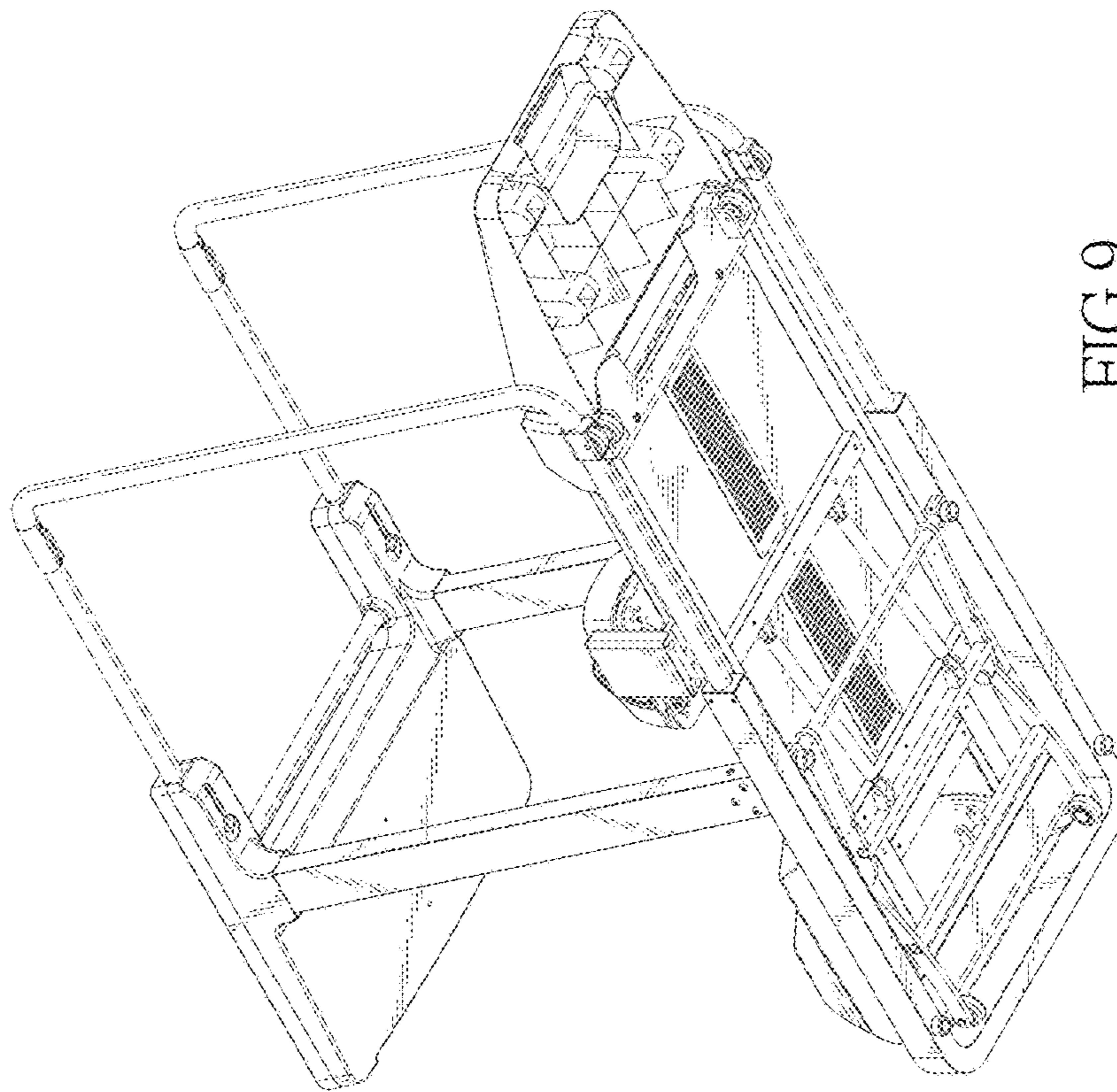


FIG. 9