



US00D843501S

(12) **United States Design Patent**
Mino

(10) **Patent No.:** **US D843,501 S**

(45) **Date of Patent:** **** Mar. 19, 2019**

- (54) **BICYCLE EXERCISER**
- (71) Applicant: **Cristiano Mino**, Milan (IT)
- (72) Inventor: **Cristiano Mino**, Milan (IT)
- (73) Assignee: **SportsArt Industrial Co., Ltd.**, Milan (IT)
- (**) Term: **15 Years**
- (21) Appl. No.: **29/601,460**
- (22) Filed: **Apr. 21, 2017**
- (51) **LOC (11) Cl.** **21-02**
- (52) **U.S. Cl.**
USPC **D21/663**
- (58) **Field of Classification Search**
USPC D21/663, 667, 666, 697, 694, 665, 668,
D21/664, 690, 676, 670; 482/57, 62,
482/111, 139, 145, 60, 51, 123, 72, 61,
482/58, 9; 74/502.4, 502.6, 594.2, 594.1,
74/48; D12/178, 411, 345; D23/382,
D23/381, 378, 412, 411; D13/115;
D15/7
CPC . A63B 22/0605; A63B 21/225; A63B 22/001;
A63B 22/0664; A63B 21/4047
See application file for complete search history.

- D384,380 S * 9/1997 Wang D21/667
- D399,894 S * 10/1998 Chiu D21/663
- D401,644 S * 11/1998 Chen D21/663
- D406,288 S * 3/1999 Chen D21/663
- 5,971,894 A * 10/1999 Chen A63B 22/0605
482/57
- 6,039,676 A * 3/2000 Clive A63B 22/0605
482/57
- D433,082 S * 10/2000 Tsushi D21/663
- D444,515 S * 7/2001 Moran D21/663
- D463,835 S * 10/2002 Nishizawa D21/663
- 6,569,063 B2 * 5/2003 Chen A63B 21/0051
482/57
- D478,135 S * 8/2003 Mival D21/663
- D480,119 S * 9/2003 Chen D21/663
- D480,120 S * 9/2003 Arai D21/666
- D512,754 S * 12/2005 Nagano D21/663
- D519,171 S * 4/2006 Kuo D21/663

(Continued)

OTHER PUBLICATIONS

G576U Upright Cycle by Sports Art dated no date given. Found online [Sep. 29, 2018] <https://www.gosportsart.com/product/g576u-upright-cycle/>.*

Primary Examiner — Ryan Harvey

(57) **CLAIM**

The ornamental design for a bicycle exerciser, as shown and described.

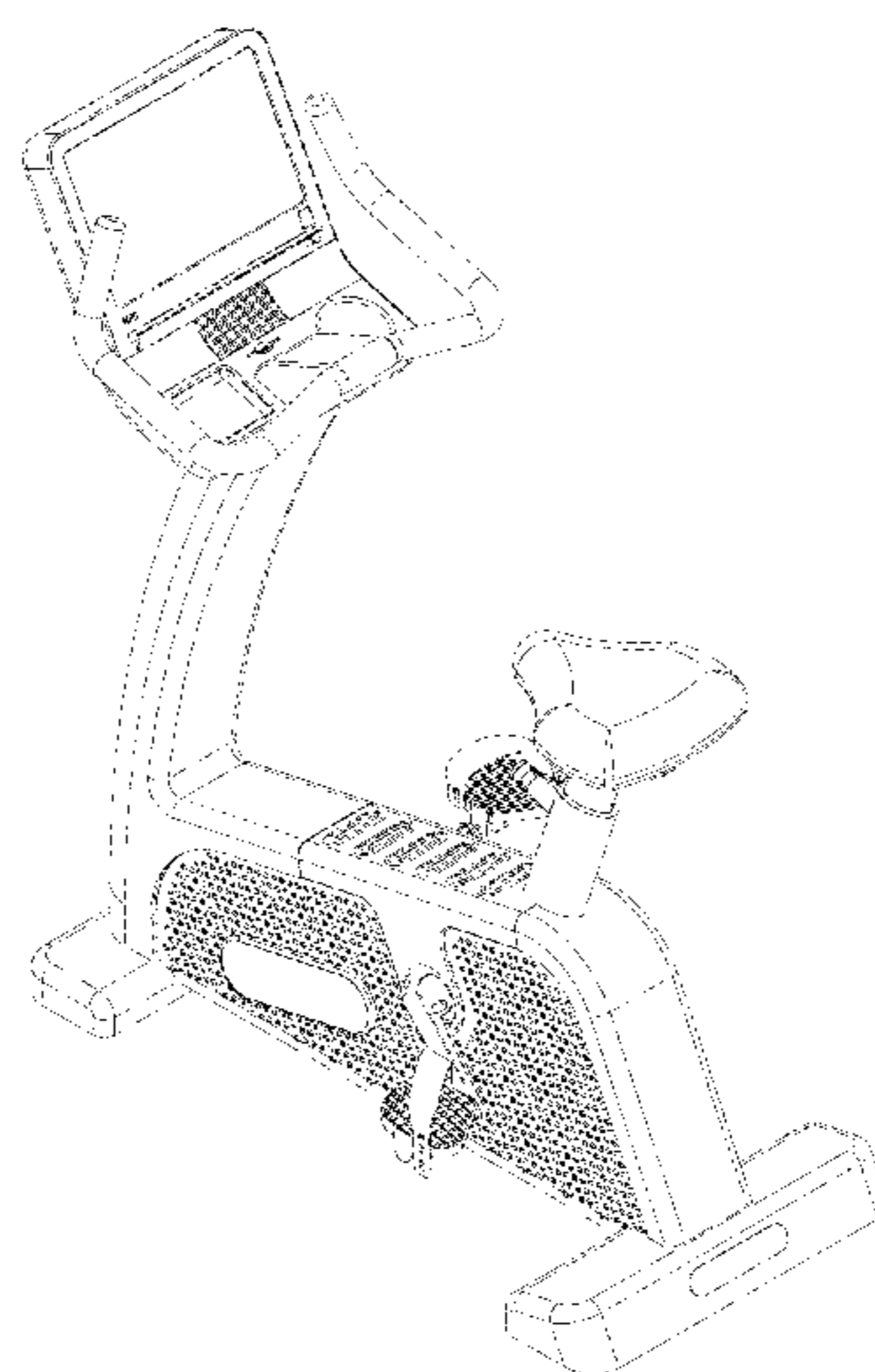
DESCRIPTION

FIG. 1 is a perspective view of a bicycle exerciser showing my new design thereof;
FIG. 2 is a front elevational view thereof;
FIG. 3 is a rear elevational view thereof;
FIG. 4 is a left side elevational view thereof;
FIG. 5 is a right side elevational view thereof;
FIG. 6 is a top plan view thereof; and,
FIG. 7 is a bottom plan view thereof.

1 Claim, 7 Drawing Sheets

(56) **References Cited**
U.S. PATENT DOCUMENTS

- D218,623 S * 9/1970 Margolies 482/57
- D225,070 S * 11/1972 Proctor 482/57
- D279,206 S * 6/1985 Smith D21/663
- D280,227 S * 8/1985 LaMarsh D21/665
- D291,822 S * 9/1987 Liu D21/663
- D307,782 S * 5/1990 Birrell D21/663
- D343,659 S * 1/1994 Kiiski D21/667
- D344,776 S * 3/1994 Lertyaovarit D21/667
- D353,690 S * 12/1994 Tsushi D21/663
- D366,298 S * 1/1996 Wu D21/663
- D377,672 S * 1/1997 Wanzer D21/663



(56)

References Cited

U.S. PATENT DOCUMENTS

D524,384 S * 7/2006 Nagano D21/663
D526,031 S * 8/2006 Corbalis D21/663
D534,226 S * 12/2006 Corbalis D21/697
D569,459 S * 5/2008 Bingham, Jr. D21/697
D620,059 S * 7/2010 Horita D21/663
D647,981 S * 11/2011 Chen D21/663
D672,827 S * 12/2012 Alessandri D21/663
D750,182 S * 2/2016 Takaoka D21/663
9,283,434 B1 * 3/2016 Wu A63B 71/0622
9,750,343 B2 * 9/2017 McBride A47B 83/02
2014/0073489 A1 * 3/2014 Wu A63B 22/0605
482/57
2015/0238805 A1 * 8/2015 Yang A63B 22/0015
482/57
2017/0259111 A1 * 9/2017 Hsieh A63B 22/0605

* cited by examiner

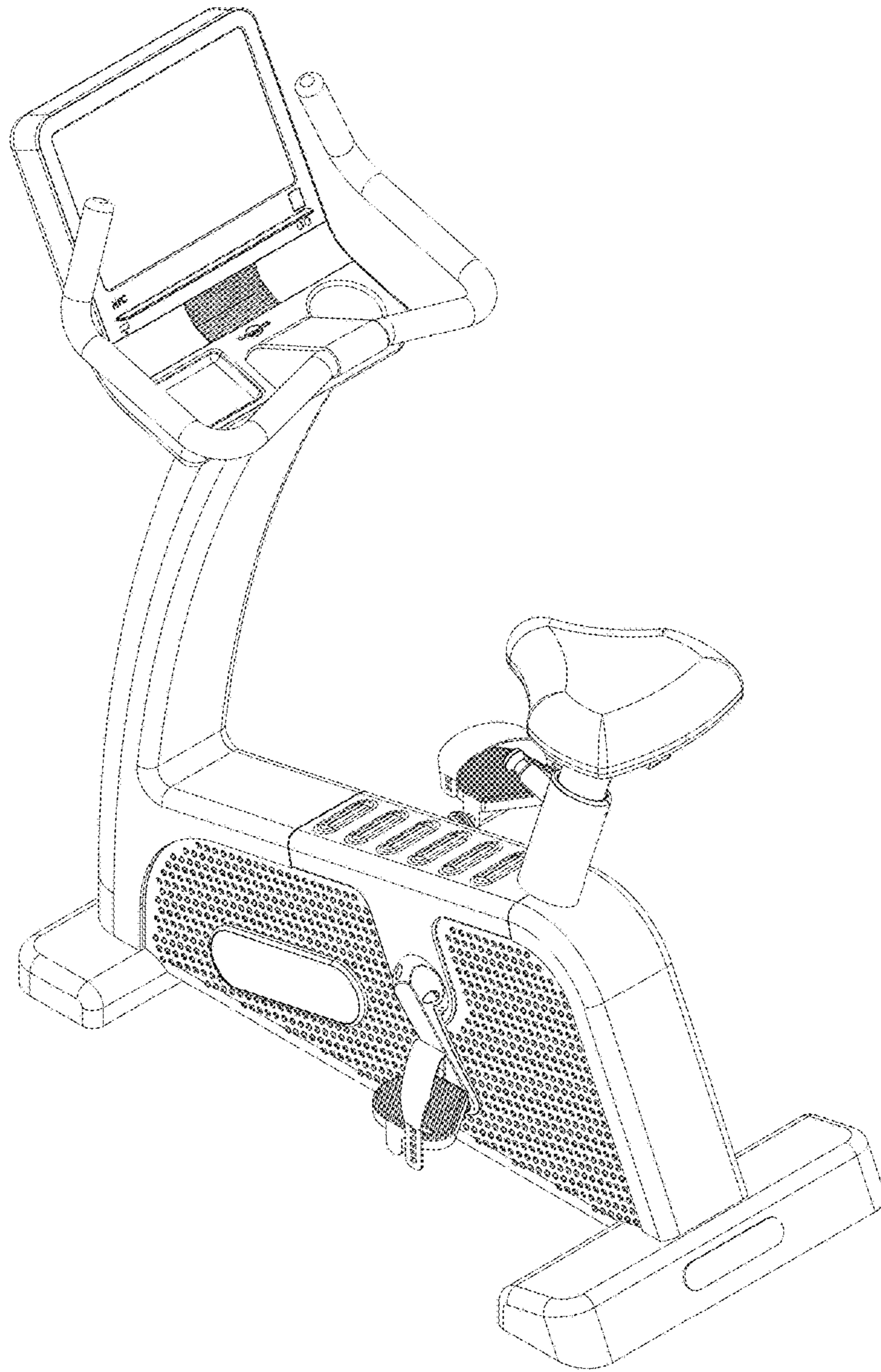


FIG. 1

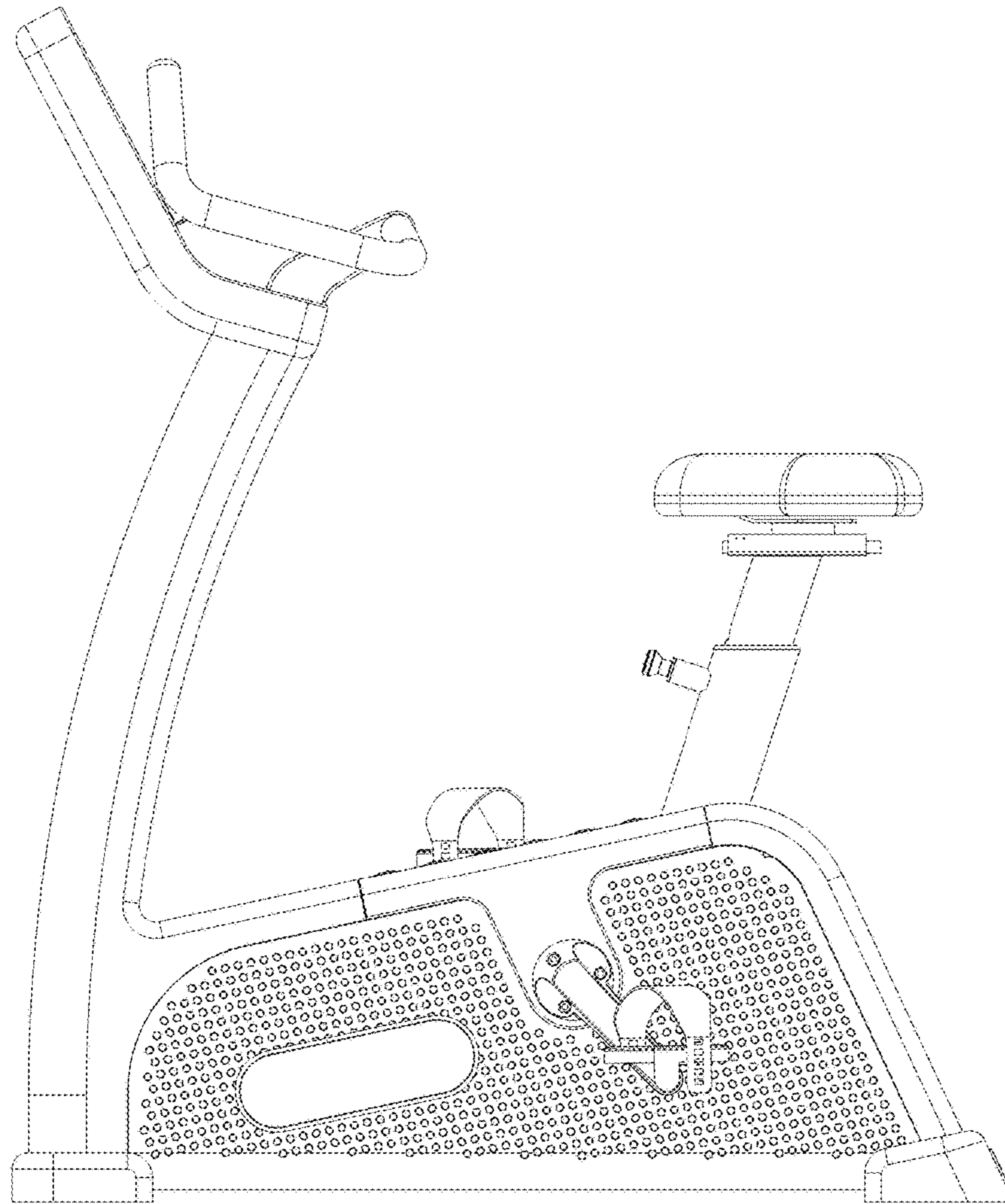


FIG. 2

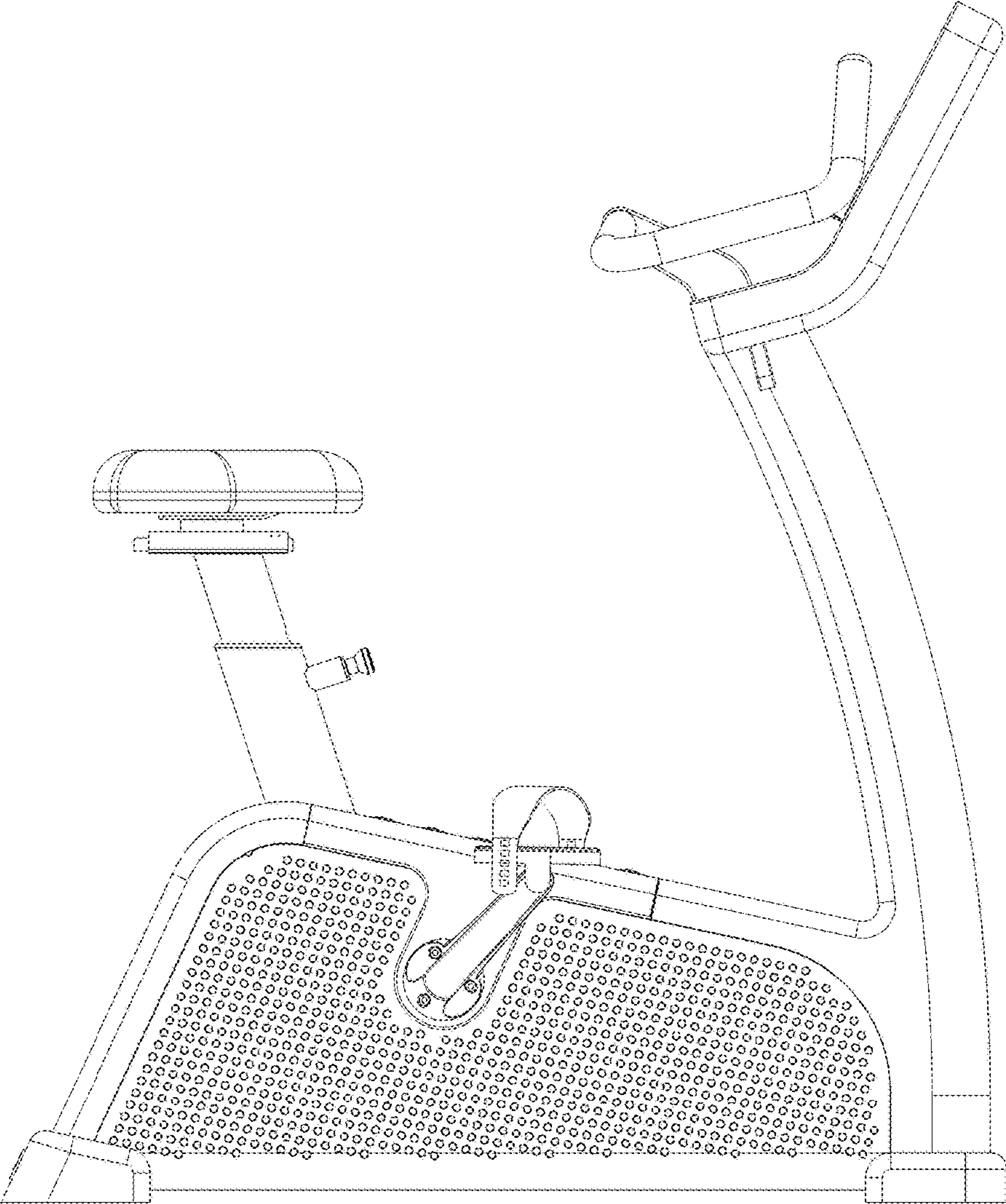


FIG. 3

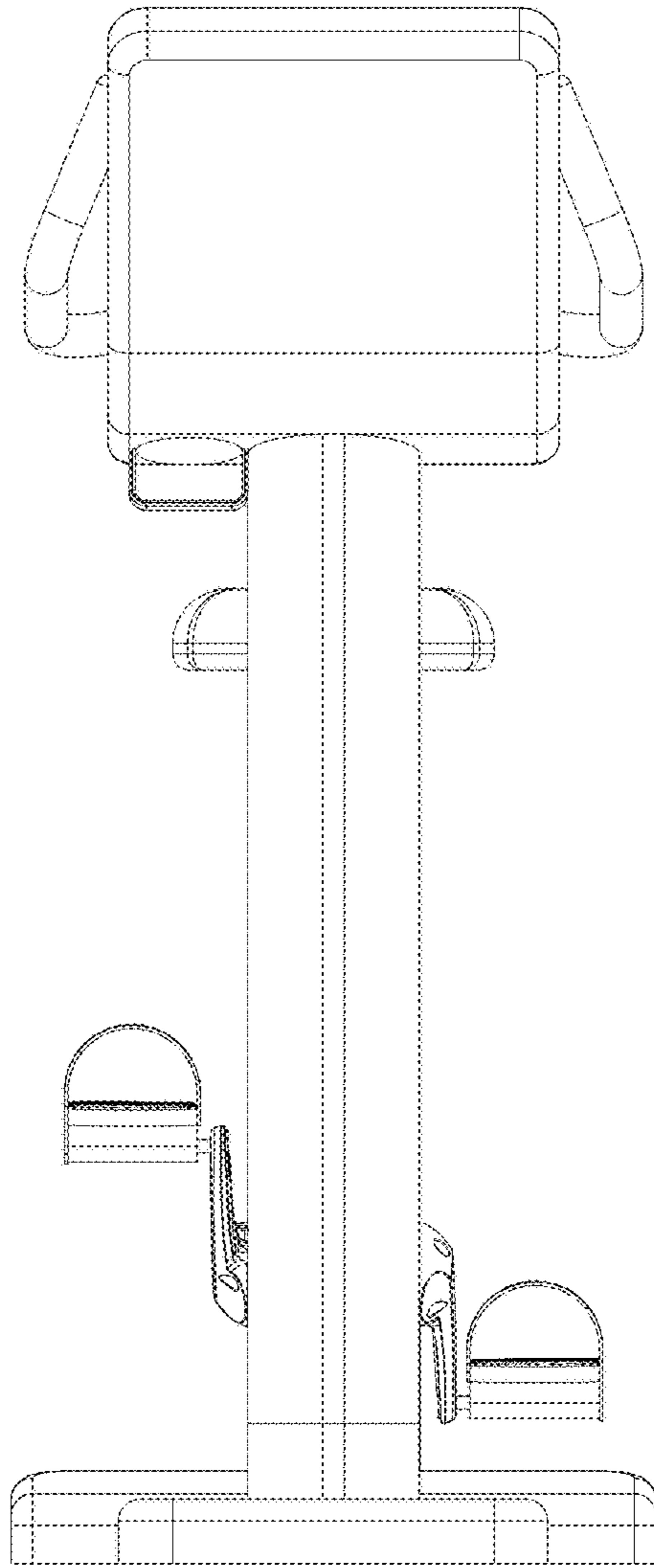


FIG. 4

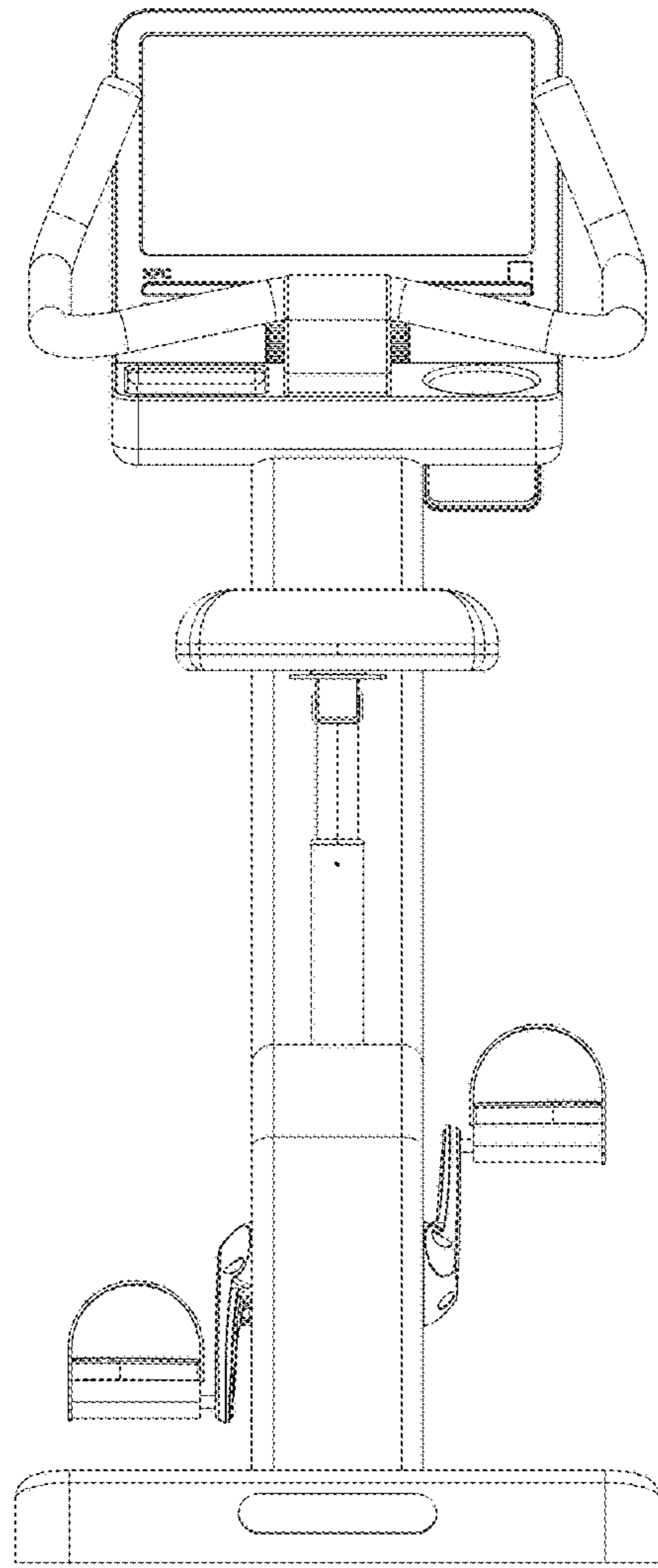


FIG. 5

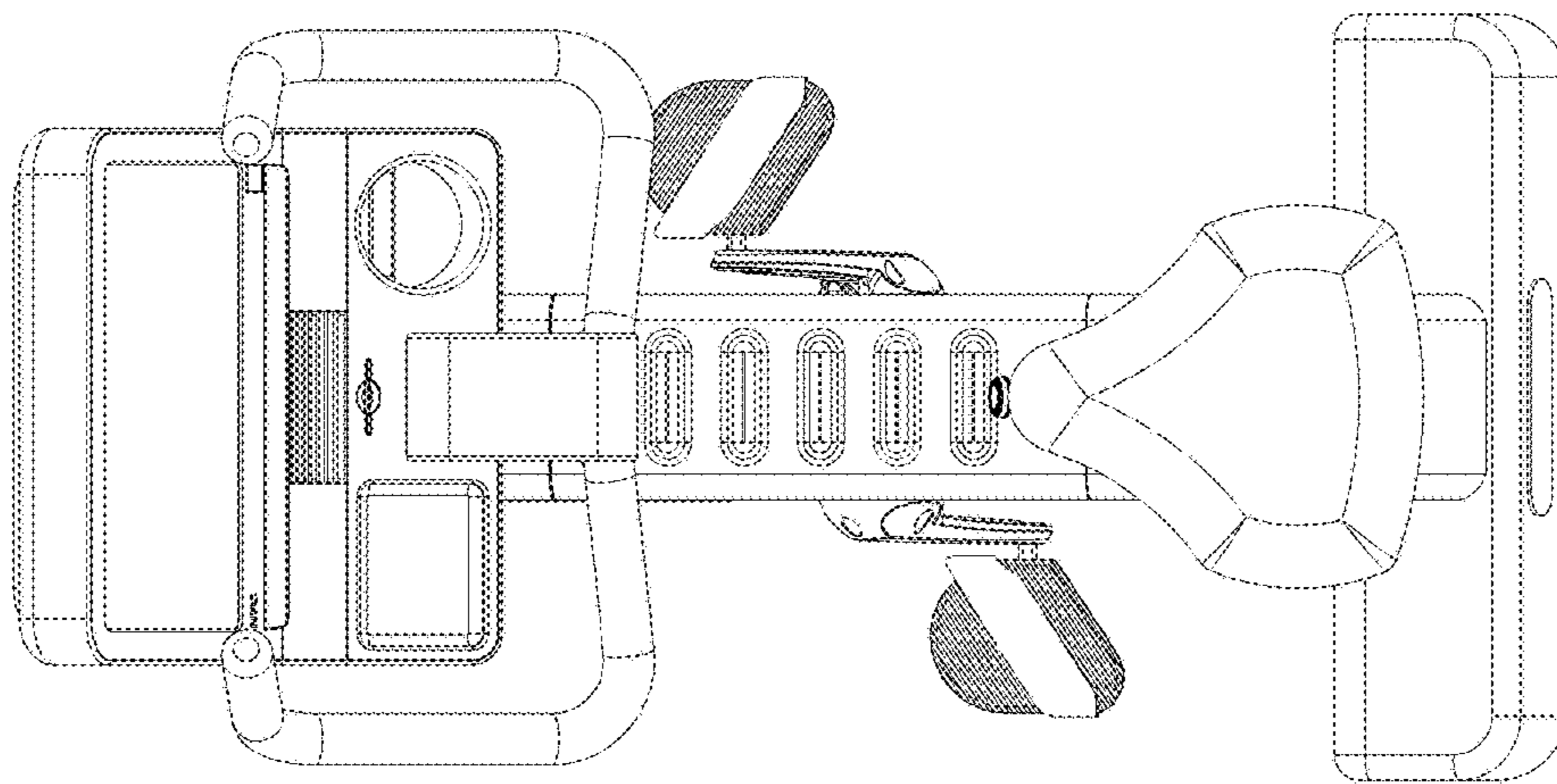


FIG. 6

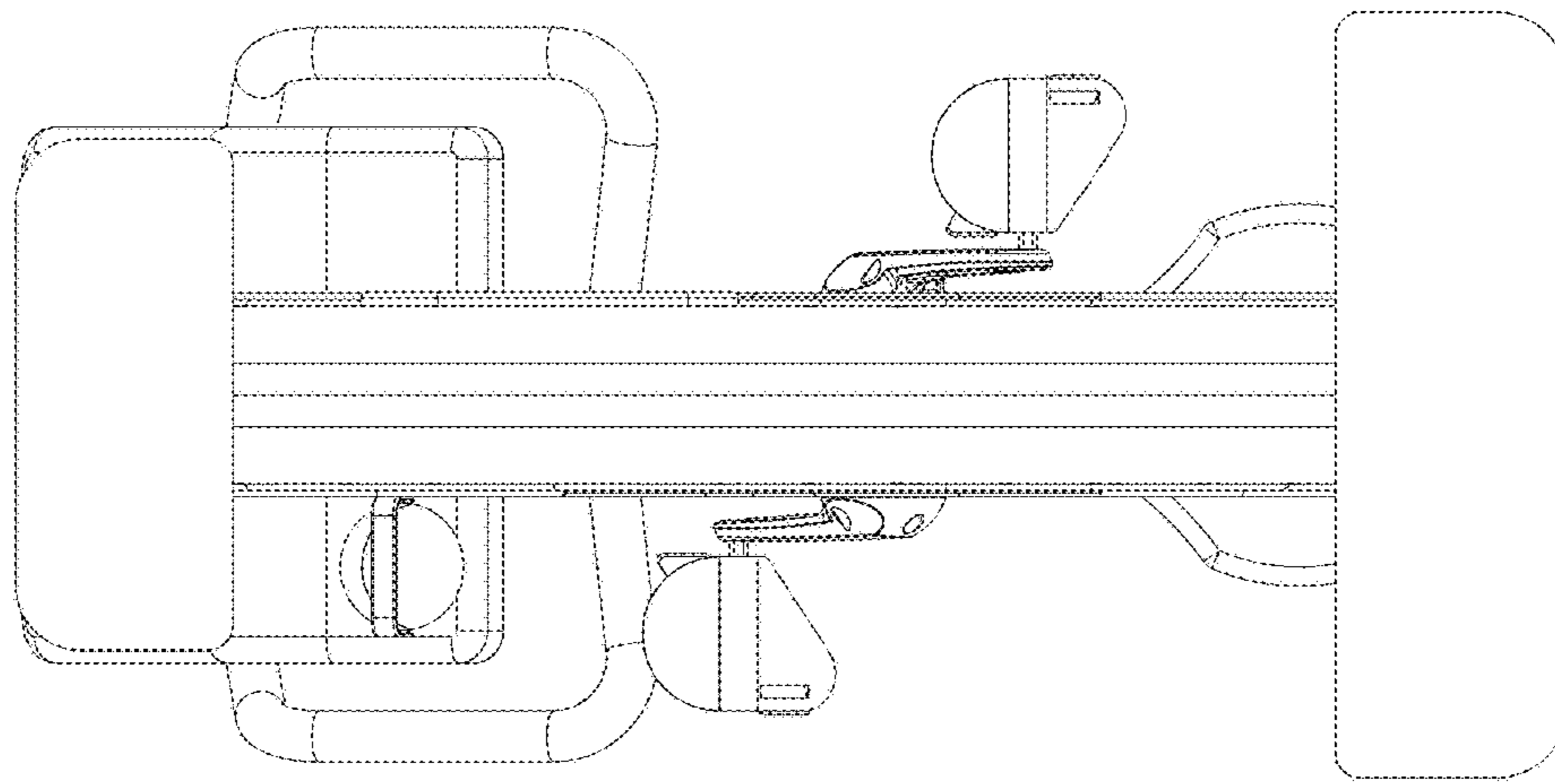


FIG. 7