



(12) **United States Design Patent**  
**Barr**

(10) **Patent No.:** **US D843,500 S**  
(45) **Date of Patent:** **\*\* Mar. 19, 2019**

(54) **EXERCISE DEVICE**

- (71) Applicant: **Kristopher Barr**, Brick, NJ (US)
- (72) Inventor: **Kristopher Barr**, Brick, NJ (US)
- (\*\*) Term: **15 Years**
- (21) Appl. No.: **29/595,234**
- (22) Filed: **Feb. 27, 2017**

**Related U.S. Application Data**

- (63) Continuation-in-part of application No. 15/403,934, filed on Jan. 11, 2017.
- (51) **LOC (11) Cl.** ..... **21-02**
- (52) **U.S. Cl.**  
USPC ..... **D21/662**
- (58) **Field of Classification Search**  
USPC ..... D21/800, 699, 302, 662, 788, 780, 781,  
D21/706; 482/93, 23, 17, 51, 52, 34, 15;  
434/247; D7/388; 473/414  
CPC ..... A63B 21/225; A63B 22/001; A63B  
2022/067; A63B 22/0664; A63B  
2208/0204; A63B 22/203; A63B 69/0028;  
A63B 2220/34  
See application file for complete search history.

(56) **References Cited**

**U.S. PATENT DOCUMENTS**

- 2,891,793 A \* 6/1959 Mudry ..... A63C 19/06  
273/444
- D411,506 S \* 6/1999 Davis ..... D12/403
- 6,056,256 A \* 5/2000 Ponce ..... G06F 1/20  
248/346.01
- 6,447,427 B1 \* 9/2002 Myrland ..... A63B 23/0464  
482/14
- 6,955,631 B2 \* 10/2005 Chen Wu ..... A63B 23/0464  
182/196

(Continued)

**OTHER PUBLICATIONS**

Penaltyboxfit by instagram dated Feb. 8, 2017. Found online [Sep. 19, 2018] <https://www.instagram.com/p/BQQmrnKjLzW/?taken-by=penaltyboxfit> (Year: 2017).\*

*Primary Examiner* — Ryan Harvey  
(74) *Attorney, Agent, or Firm* — Walter J. Tencza, Jr.

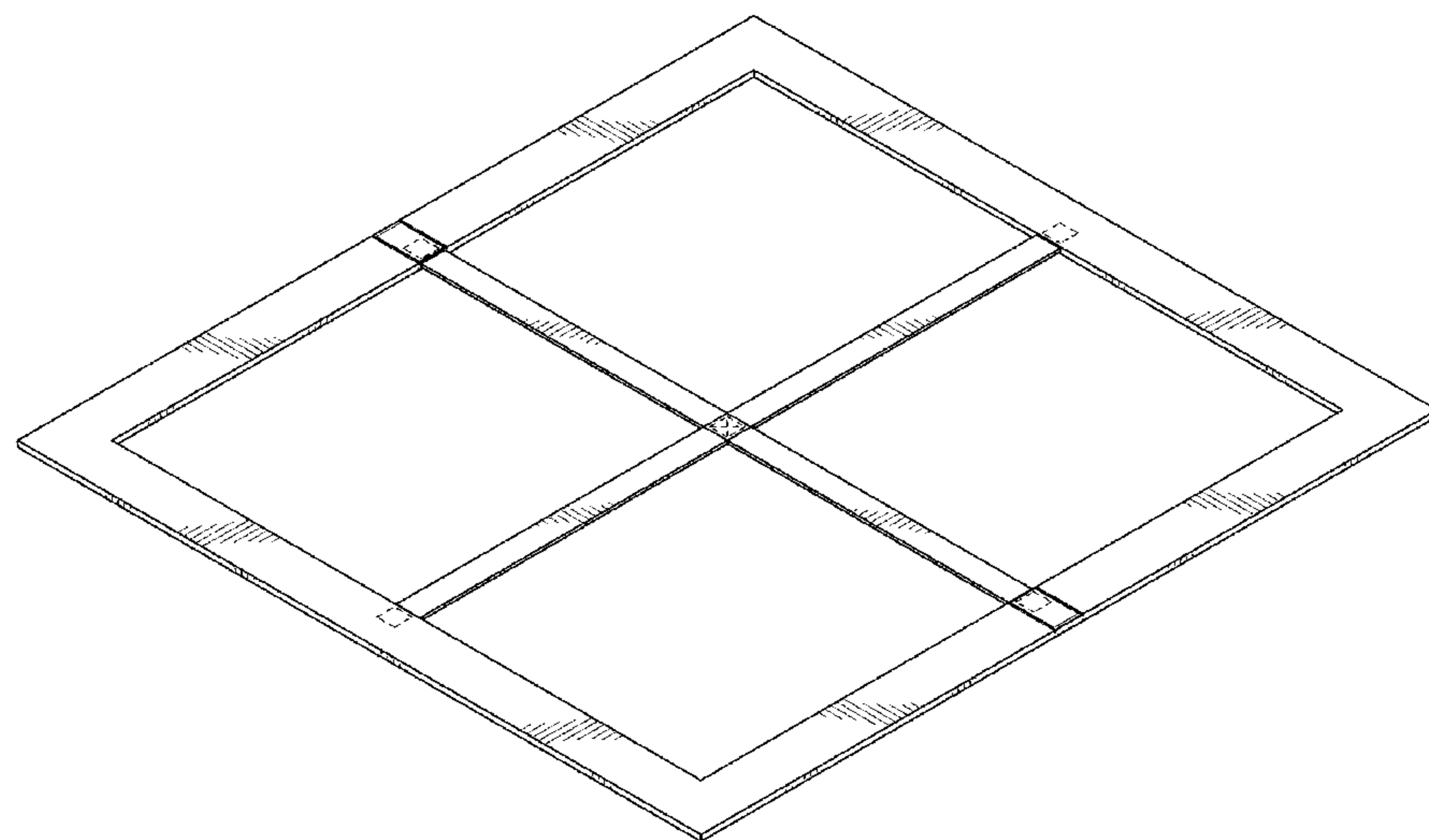
(57) **CLAIM**

I claim the ornamental design for the exercise device, as shown and described.

**DESCRIPTION**

FIG. 1 shows a top, front, and right perspective view of an exercise device in accordance with the present invention, with the exercise device in a flattened state;  
 FIG. 2 shows a bottom, rear, and left perspective view of the exercise device of FIG. 1 in the flattened state;  
 FIG. 3 shows an elevational front view of the exercise device of FIG. 1 in the flattened state;  
 FIG. 4 shows an elevational rear view of the exercise device of FIG. 1 in the flattened state;  
 FIG. 5 shows an elevational right side view of the exercise device of FIG. 1 in the flattened state;  
 FIG. 6 shows an elevational left side view of the exercise device of FIG. 1 in the flattened state;  
 FIG. 7 shows a plan top view of the exercise device of FIG. 1 in the flattened state;  
 FIG. 8 shows a plan bottom view of the exercise device of FIG. 1 in the flattened state; and,  
 FIG. 9 shows a perspective view of the exercise device of FIG. 1, with the exercise device in a propped up or partially folded state.  
 The broken line showing of portions of the exercise device depicts environment and forms no part of the claim.

**1 Claim, 6 Drawing Sheets**



(56)

**References Cited**

U.S. PATENT DOCUMENTS

7,874,959 B2 \* 1/2011 Dieter ..... A63B 23/0464  
 473/414  
 D667,246 S \* 9/2012 Cittadino ..... D6/513  
 8,579,768 B2 \* 11/2013 Prstojevich ..... A63B 23/0464  
 482/14  
 D704,285 S \* 5/2014 Zucca ..... D21/699  
 D722,469 S \* 2/2015 Bodum ..... D7/387  
 8,986,172 B2 \* 3/2015 Poole ..... A63B 21/0552  
 473/441  
 9,039,575 B2 \* 5/2015 Holland ..... A63K 3/043  
 473/414  
 9,186,534 B2 \* 11/2015 Bollers ..... A63B 5/22  
 D747,774 S \* 1/2016 Erickson ..... D21/302  
 D750,719 S \* 3/2016 Holland ..... D21/800  
 9,333,383 B1 \* 5/2016 Barton ..... A63B 21/00047  
 9,675,830 B2 \* 6/2017 Holland ..... A63B 69/00  
 2002/0098947 A1 \* 7/2002 Brown ..... A63B 26/00  
 482/23

2006/0229171 A1 \* 10/2006 Severino ..... A63B 23/0464  
 482/93  
 2011/0166000 A1 \* 7/2011 Wight ..... A63B 23/0464  
 482/17  
 2013/0164723 A1 \* 6/2013 Sakinc ..... A63B 5/22  
 434/247  
 2015/0099609 A1 \* 4/2015 White ..... A63B 17/00  
 482/23  
 2017/0291070 A1 \* 10/2017 Chen ..... A63B 26/003  
 2018/0193683 A1 \* 7/2018 Barr ..... A63B 5/00

OTHER PUBLICATIONS

Penalty Box Fit by youtube dated Feb. 25, 2017. Found online [Sep. 19, 2018] <https://www.youtube.com/watch?v=puVk2ESJkal> (Year: 2017).\*

Penaltybox by penaltyboxfit dated none. Found online [Sep. 19, 2018]<https://penaltyboxfit.com/>.\*

Web page from [www.anthem-sports.com/catalog/product/view/](http://www.anthem-sports.com/catalog/product/view/) , Dec. 16, 2016, Anthem (TM) sports, High Step Agility Trainer.

\* cited by examiner

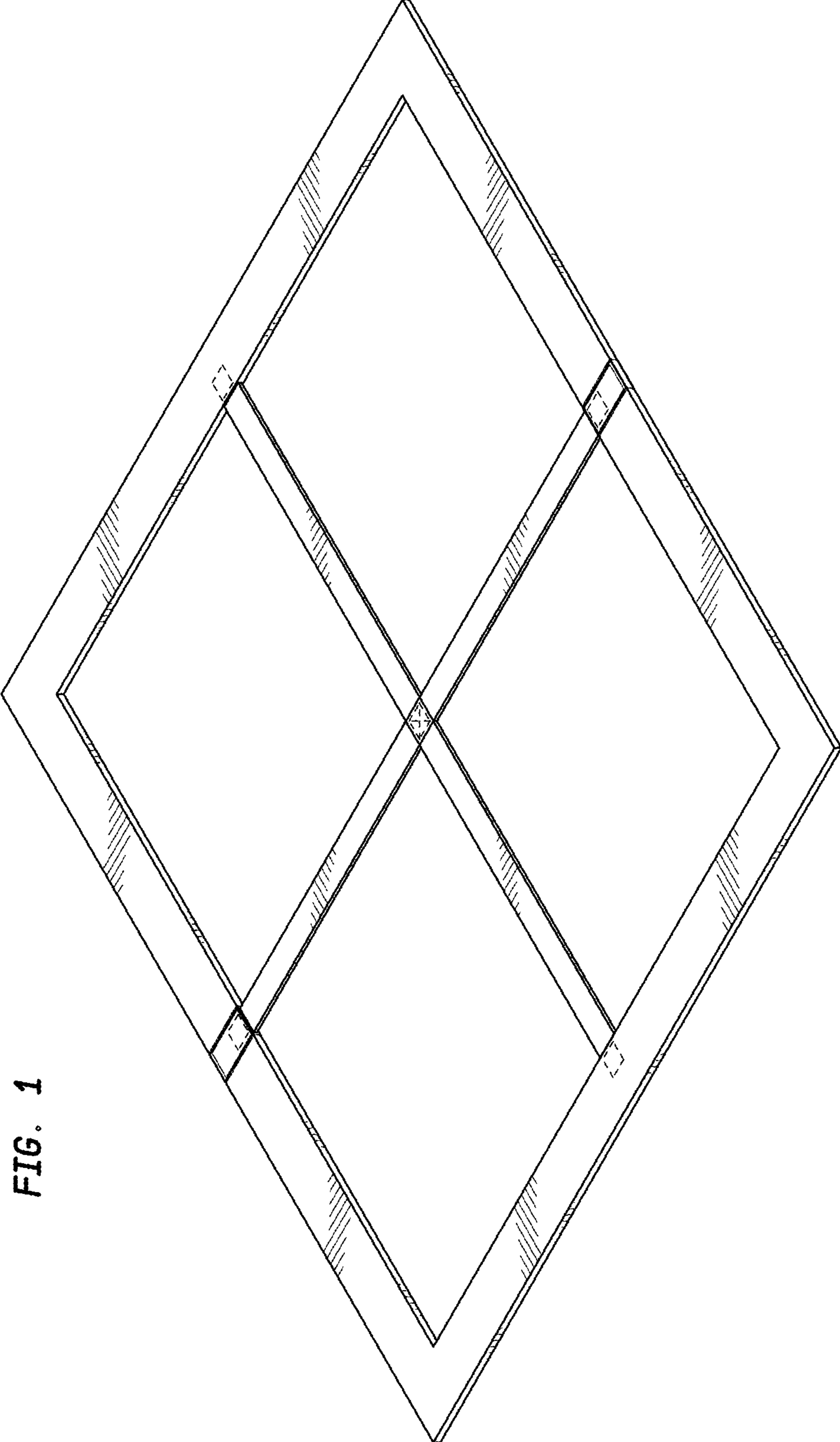


FIG. 1

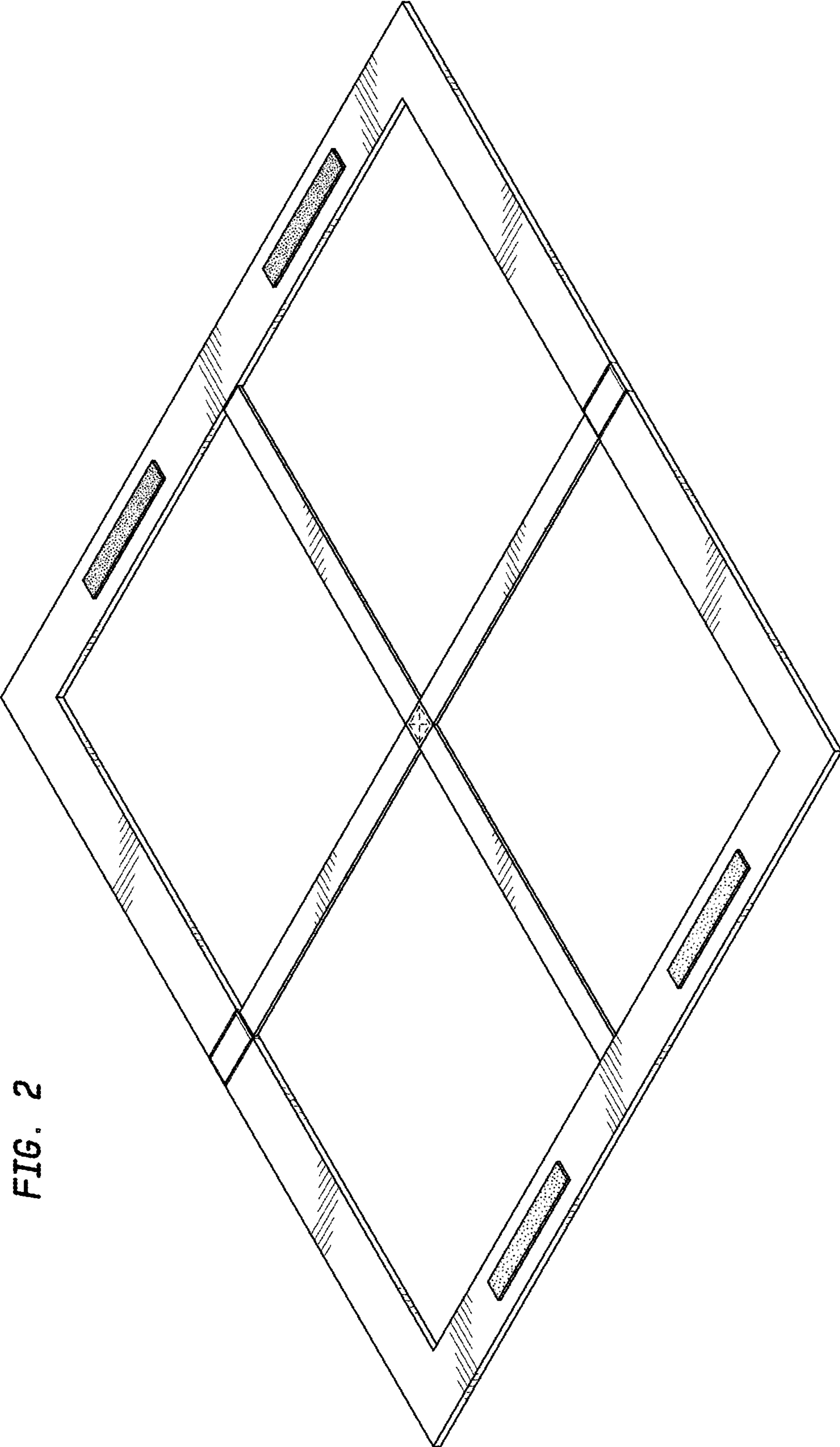


FIG. 2

FIG. 3

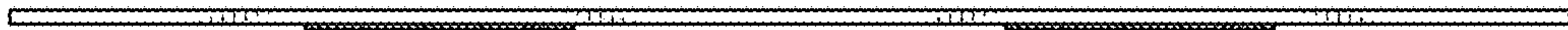


FIG. 4

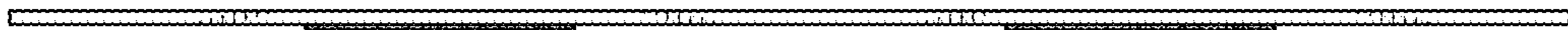


FIG. 5

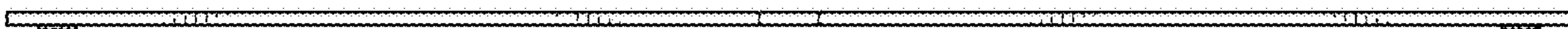


FIG. 6



FIG. 7

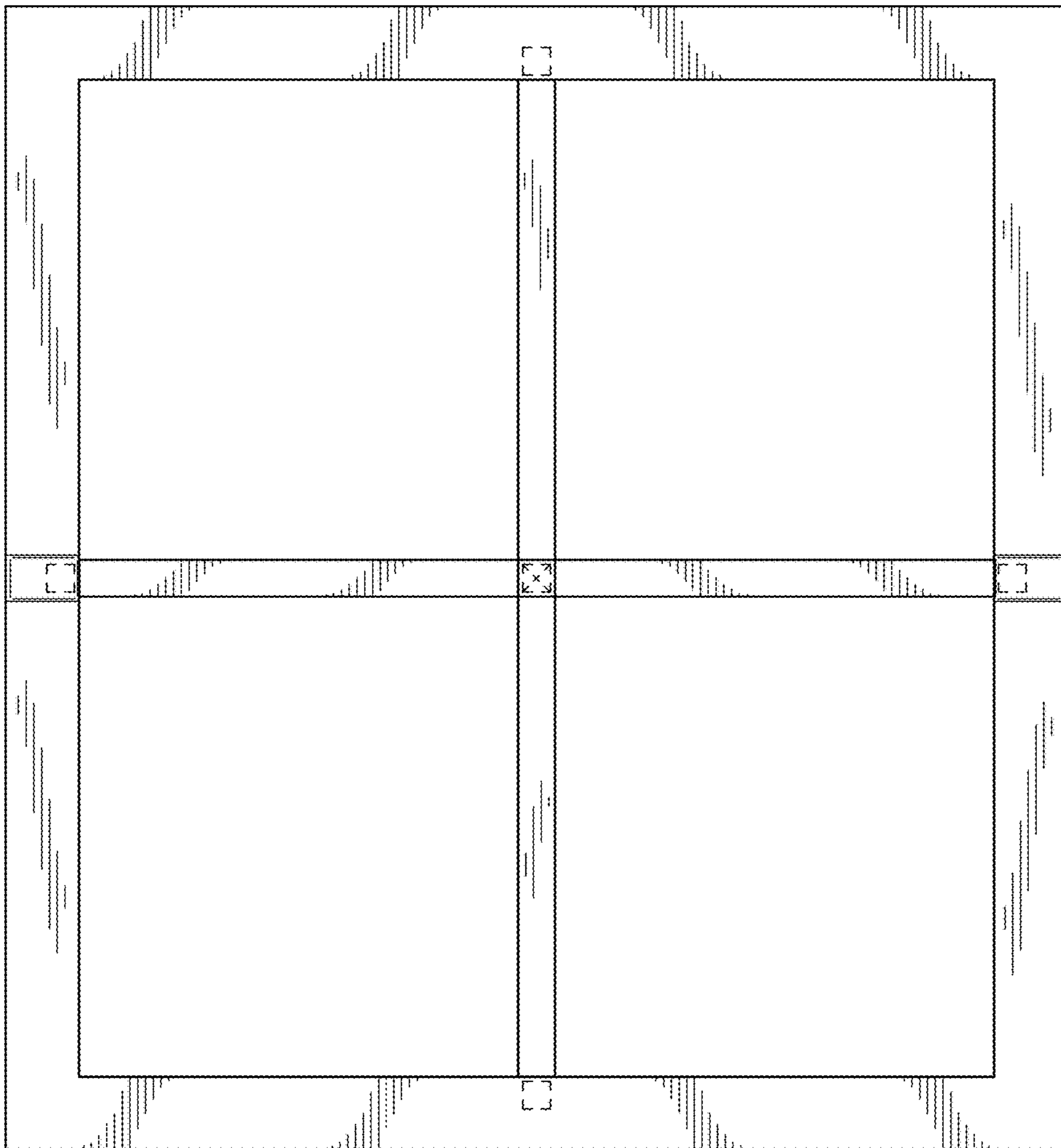
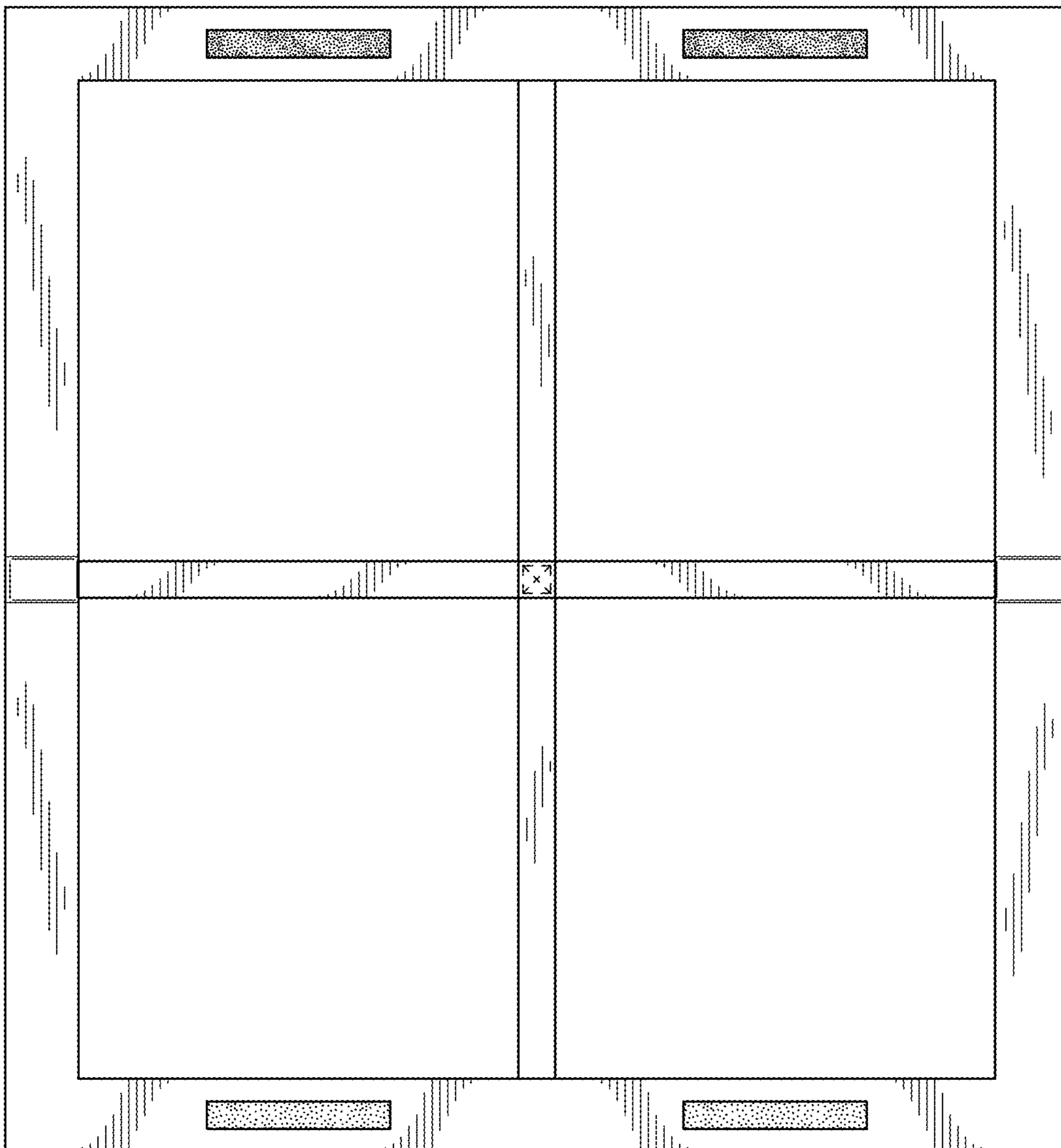


FIG. 8



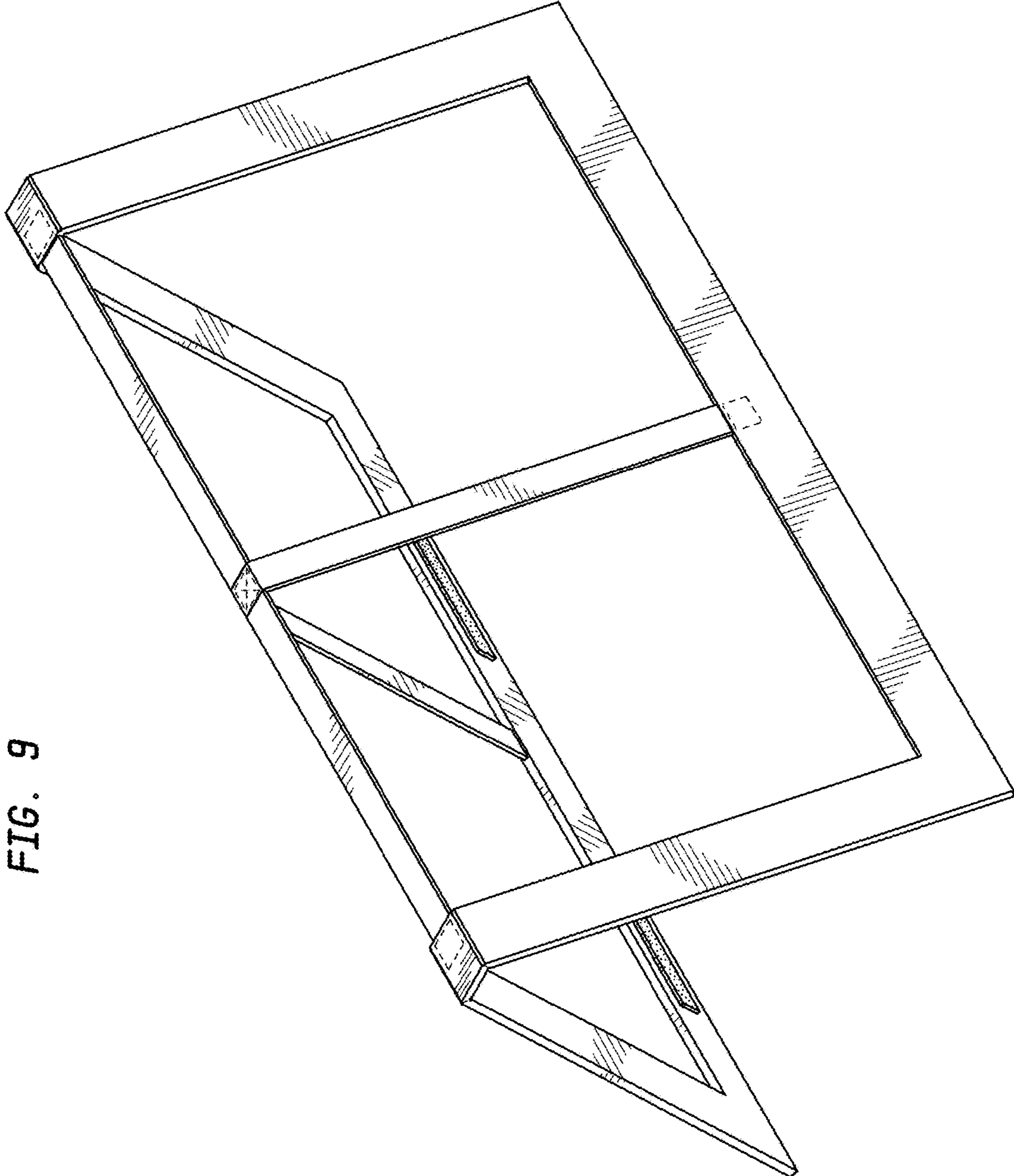


FIG. 9