



US00D843493S

(12) **United States Design Patent** (10) **Patent No.:** **US D843,493 S**
Dumphy (45) **Date of Patent:** **** Mar. 19, 2019**

- (54) **TOY BLOCK**
- (71) Applicant: **Kejser, LLC**, Mesa, AZ (US)
- (72) Inventor: **Joshua Dumphy**, Mesa, AZ (US)
- (73) Assignee: **KEJSER, LLC**, Mesa, AZ (US)
- (**) Term: **15 Years**
- (21) Appl. No.: **29/659,257**
- (22) Filed: **Aug. 7, 2018**

D470,196 S 2/2003 Sorensen
 D545,920 S 7/2007 Sorensen
 D546,901 S 7/2007 Sorensen
 D571,867 S * 6/2008 Gasparotto D21/489
 D598,505 S * 8/2009 Sinisi D21/501
 (Continued)

FOREIGN PATENT DOCUMENTS

| | | |
|----|-----------|---------|
| CA | 59923 | 12/1987 |
| KR | 300660354 | 9/2012 |
| KR | 300811959 | 8/2015 |

OTHER PUBLICATIONS

Brand New Design Children House Building Blocks 24pcs Construction Developmental Toy Set for Kids Baby Educational Brain Game. 2015 [retrieved on Jun. 17, 2016]. Retrieved from the Internet: URL: <http://www.aliexpress.com/item/Brand-New-Design-Children-House-Building-Blocks-24pcs-Construction-Developmental-Toy-Set-For-Kids-Baby-Educational/32535473684.html>.

(Continued)

Primary Examiner — Cynthia M. Chin
 (74) *Attorney, Agent, or Firm* — Snell & Wilmer, L.L.P.

(57) **CLAIM**

The ornamental design for a toy block, as shown and described.

DESCRIPTION

FIG. 1 is a perspective view depicting a toy block with one connective side;
 FIG. 2 is a top elevation view of the toy block of FIG. 1;
 FIG. 3 is a bottom elevation view of the toy block of FIG. 1;
 FIG. 4 is a front side view of the toy block of FIG. 1; and,
 FIG. 5 is a back side view of the toy block of FIG. 1.
 The broken lines are for purposes of illustrating portions of the article that form no part of the claim.

1 Claim, 5 Drawing Sheets

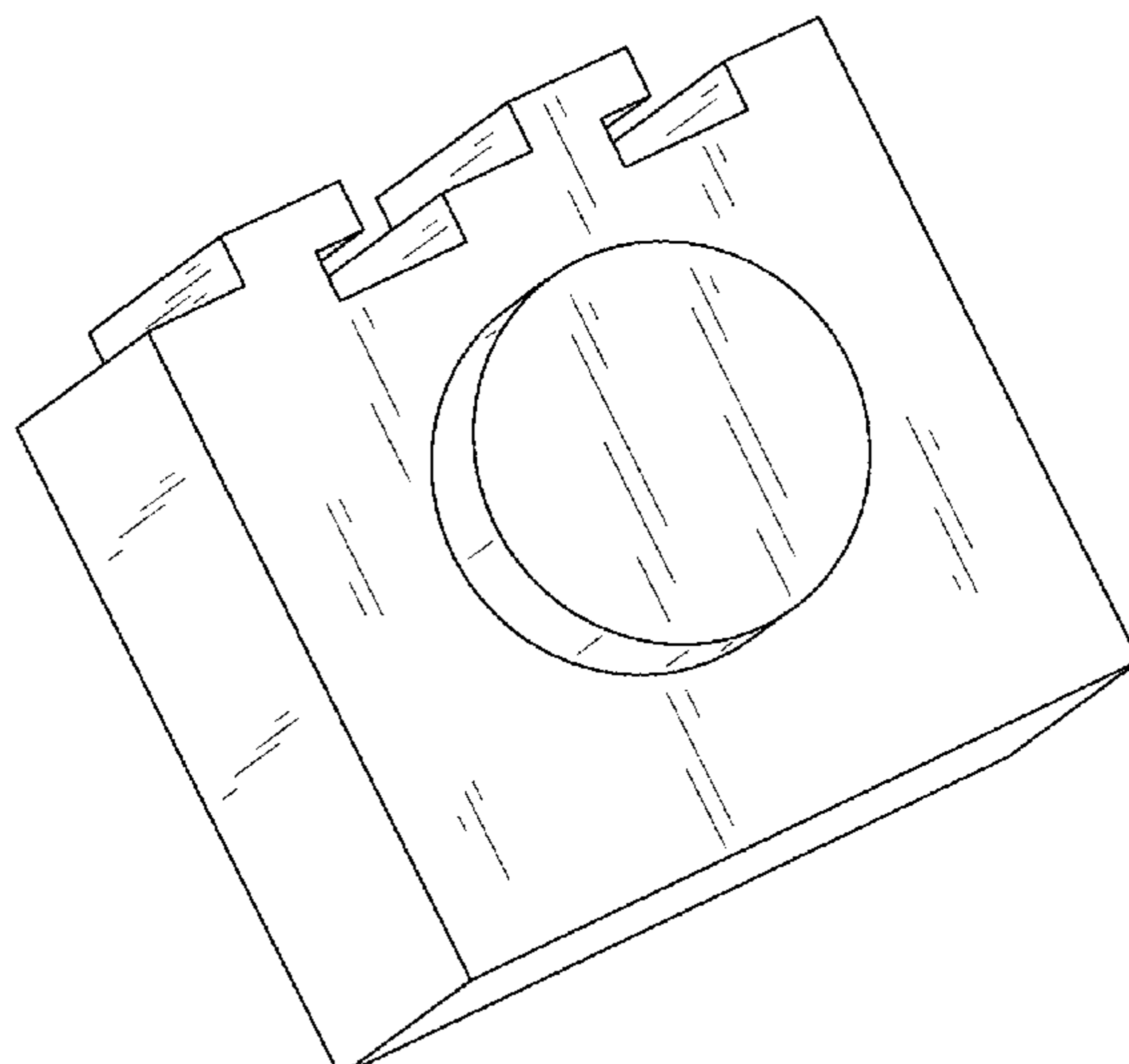
Related U.S. Application Data

- (62) Division of application No. 29/574,740, filed on Aug. 18, 2016, now Pat. No. Des. 828,458.
- (51) **LOC (11) Cl.** **21-01**
- (52) **U.S. Cl.**
USPC **D21/499**
- (58) **Field of Classification Search**
USPC D21/478, 479, 484, 485–505; 446/69, 446/85, 102–128; 434/208, 259, 403; 273/153, 156, 160; 428/174
CPC A63H 33/00; A63H 33/04; A63H 33/06; A63H 33/08; A63H 33/10; A63H 33/12; A63H 33/14; A63F 9/08; A63F 9/12; G09B 1/36
See application file for complete search history.

(56) **References Cited**

U.S. PATENT DOCUMENTS

| | | | | | |
|-----------|-----|---------|--------------|-------|-----------------------|
| 3,819,188 | A * | 6/1974 | Freedman | | A63F 9/12 273/160 |
| 5,267,863 | A * | 12/1993 | Simmons, Jr. | | A63F 9/0613 434/96 |
| 5,273,477 | A * | 12/1993 | Adams, Jr. | | A63H 33/08 446/108 |
| D407,765 | S * | 4/1999 | Zheng | | D21/491 |
| D430,231 | S | 8/2000 | Sorensen | | |
| D465,246 | S | 11/2002 | Sorensen | | |



(56)

References Cited

U.S. PATENT DOCUMENTS

7,833,077 B1 * 11/2010 Simmons, Jr. A63H 33/08
446/127
2003/0162473 A1 * 8/2003 Yang A63H 33/08
446/108
2005/0106989 A1 * 5/2005 Rincover A63H 33/082
446/85
2015/0367247 A1 * 12/2015 Kosmo A63H 33/42
446/71
2017/0058926 A1 * 3/2017 Takubo A63H 33/065
2017/0203226 A1 * 7/2017 Dorasamy A63H 33/086

OTHER PUBLICATIONS

80Pcs Children Digital Puzzle Building Blocks Toy. 2016 [retrieved on Jun. 17, 2016]. Retrieved from the Internet: <URL: <http://www.lazada.com.my/80pcs-children-digital-puzzle-building-blocks-toy-5376902.html>>.

USPTO; Non-Final Office Action dated Mar. 26, 2018 in Design U.S. Appl. No. 29/574,740.

USPTO; Notice of Allowance dated Jul. 31, 2018 in Design U.S. Appl. No. 29/574,740.

* cited by examiner

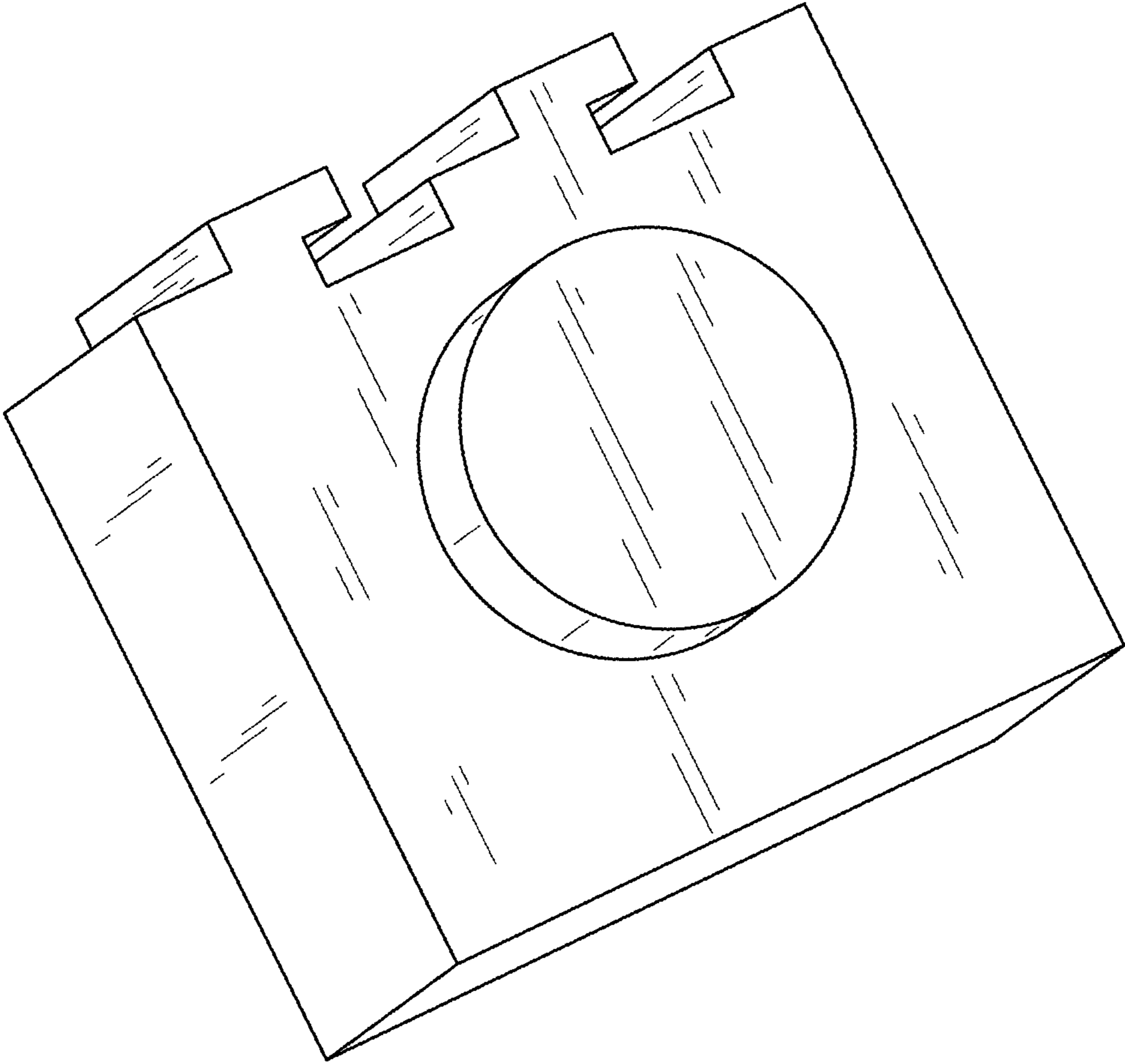


FIG. 1

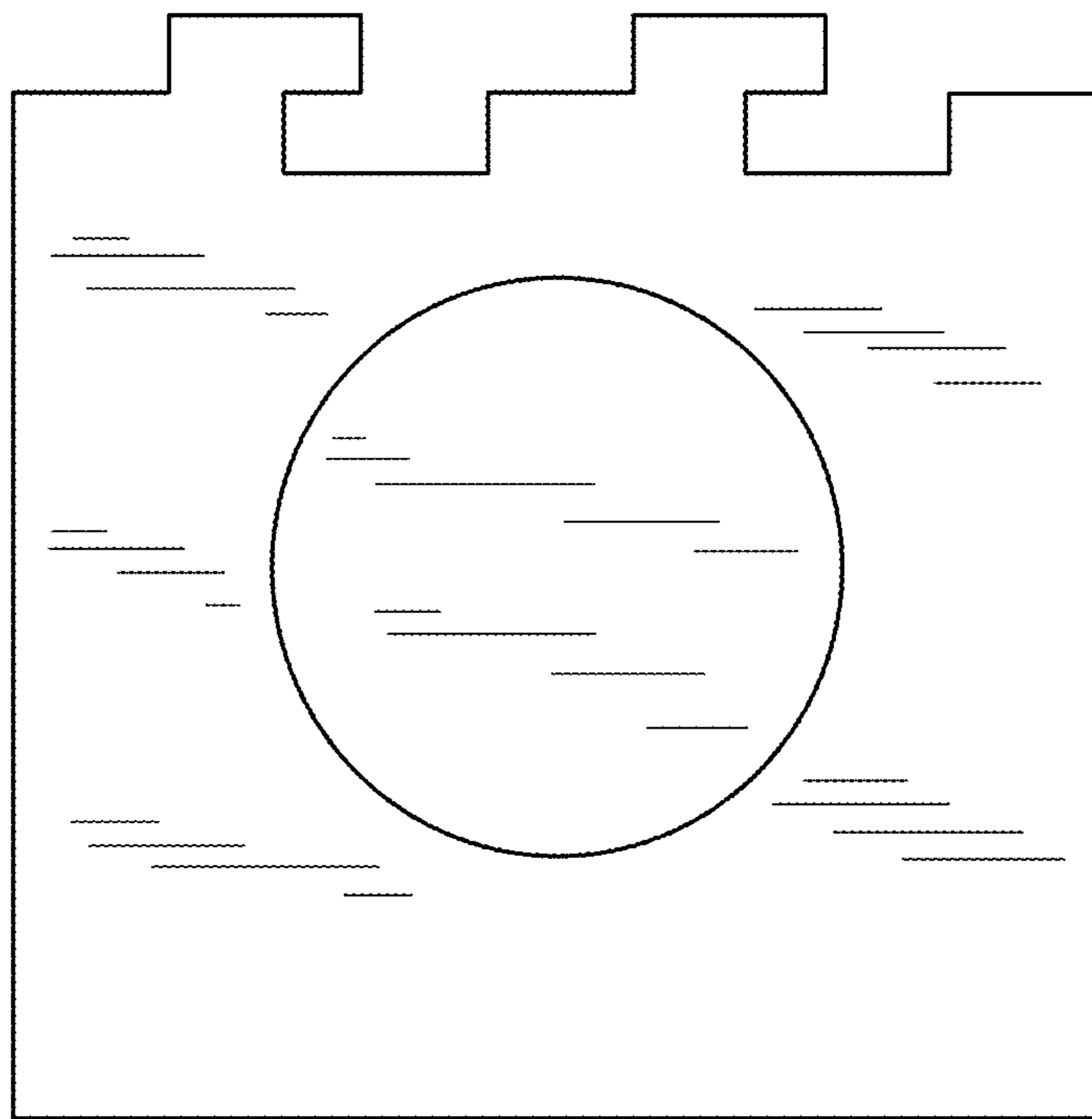


FIG. 2

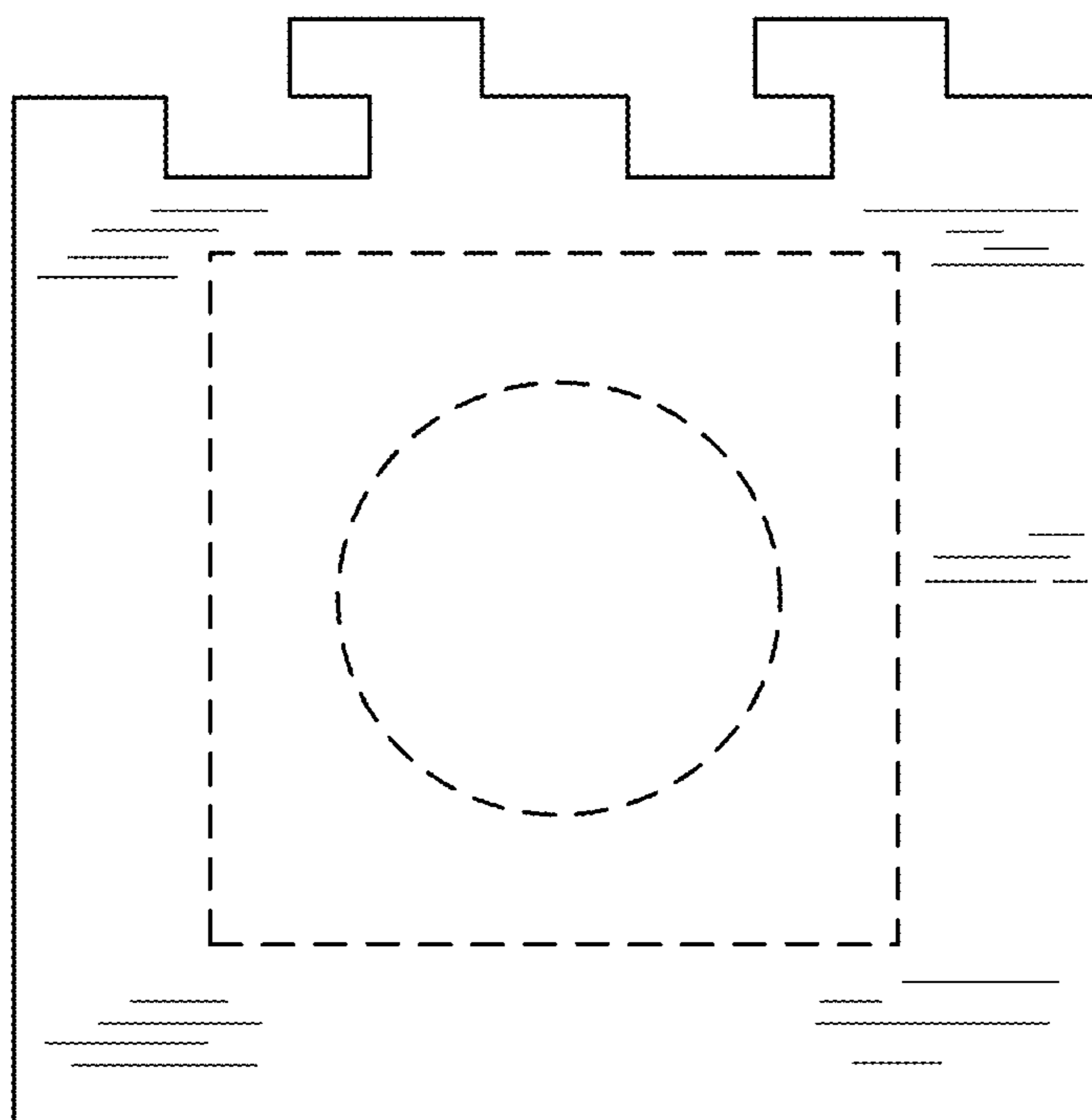


FIG. 3

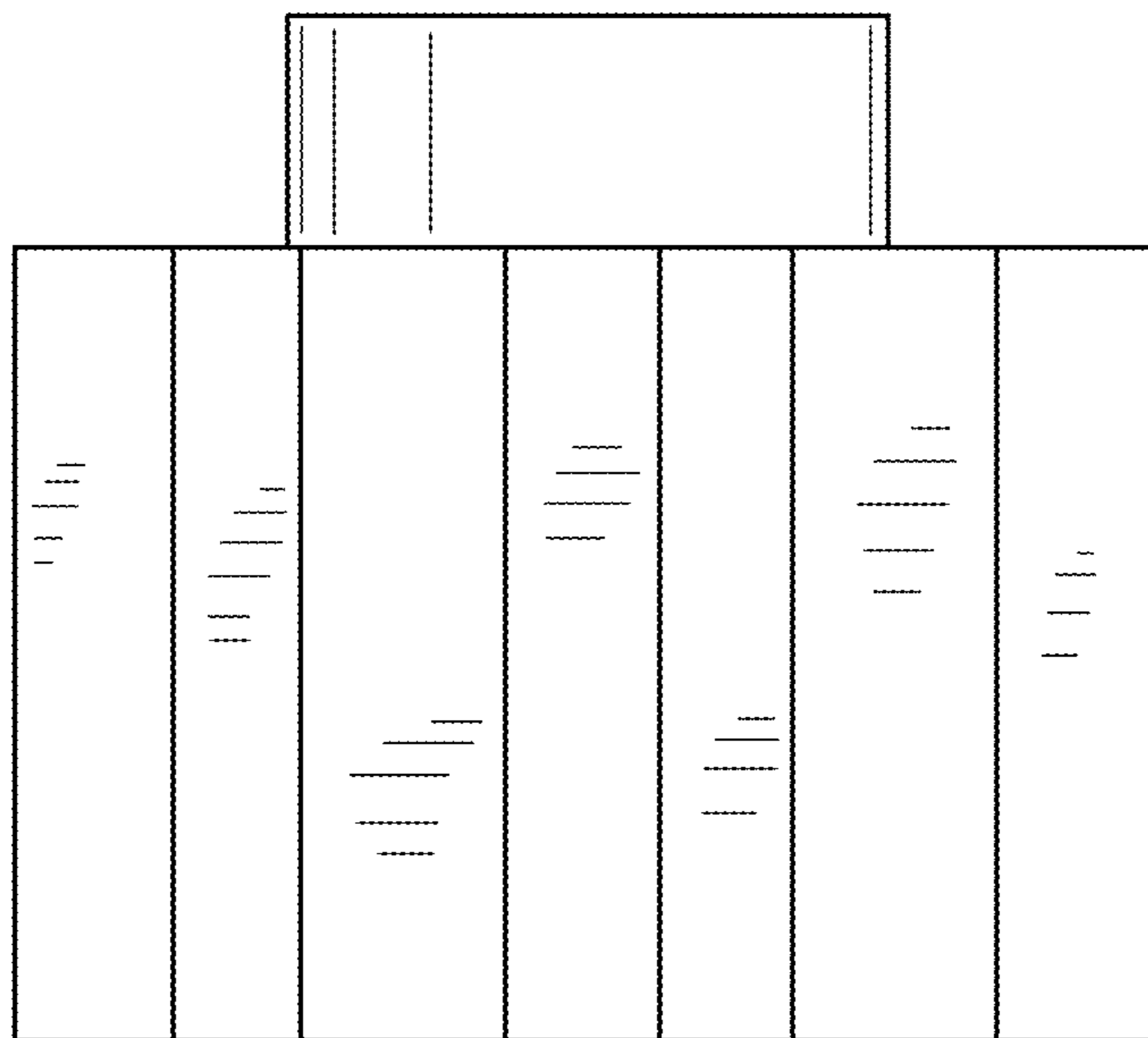


FIG. 4

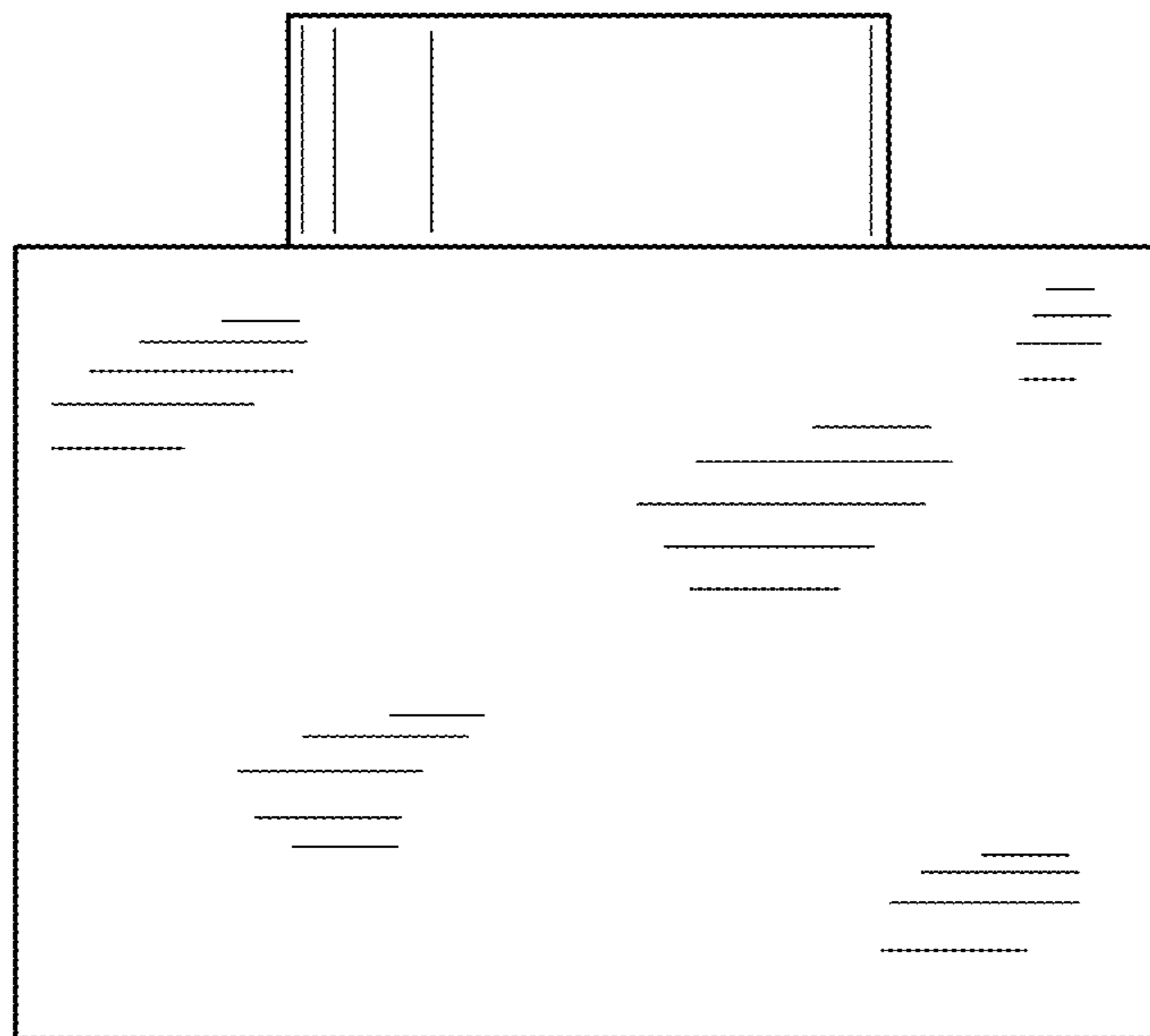


FIG. 5