



US00D843492S

(12) **United States Design Patent** (10) **Patent No.:** **US D843,492 S**
Brand (45) **Date of Patent:** **** Mar. 19, 2019**

(54) **CHILDREN'S TOY**
(71) Applicant: **KIDS II, INC.**, Atlanta, GA (US)
(72) Inventor: **Sarah Rose Brand**, Atlanta, GA (US)
(73) Assignee: **KIDS II, INC.**, Atlanta, GA (US)
(**) Term: **15 Years**
(21) Appl. No.: **29/606,438**

2,310,515 A 2/1943 Chester
D138,150 S 6/1944 Davidson
2,400,981 A 5/1946 Dishmaker
(Continued)

FOREIGN PATENT DOCUMENTS

EM 000523626-0001 6/2006
EP 1870351 A1 12/2007
WO 2011057203 A2 5/2011

OTHER PUBLICATIONS

Amazon, "Oball Grasp & Teethe Teether", May 23, 2017. https://www.amazon.com/Oball-10807-6-Grasp-Teethe-Teether/dp/B06X412RBM/ref=cm_cr_ar_p_d_product_top?ie=UTF8. Shown on p. 1. (Year: 2017).*

(Continued)

Primary Examiner — Cynthia Ramirez
Assistant Examiner — Michael A Maharajh
(74) *Attorney, Agent, or Firm* — Gardner Groff
Greenwald & Villanueva, PC

(22) Filed: **Jun. 5, 2017**
(51) **LOC (11) Cl.** **21-01**
(52) **U.S. Cl.**
USPC **D21/475**
(58) **Field of Classification Search**
USPC 119/702, 707, 708, 709, 710, 711;
434/278; 446/431; 473/280, 569, 612;
482/35; 606/234, 235; D21/408, 475,
D21/707-714; D24/193, 194, 195;
D30/160
CPC A61J 17/02; A61J 17/00; A01K 15/025;
A63B 2208/12; A63B 43/00; A63F
9/0823; A63H 33/18
See application file for complete search history.

(57) **CLAIM**

The ornamental design for a children's toy, substantially as shown and described.

(56) **References Cited**

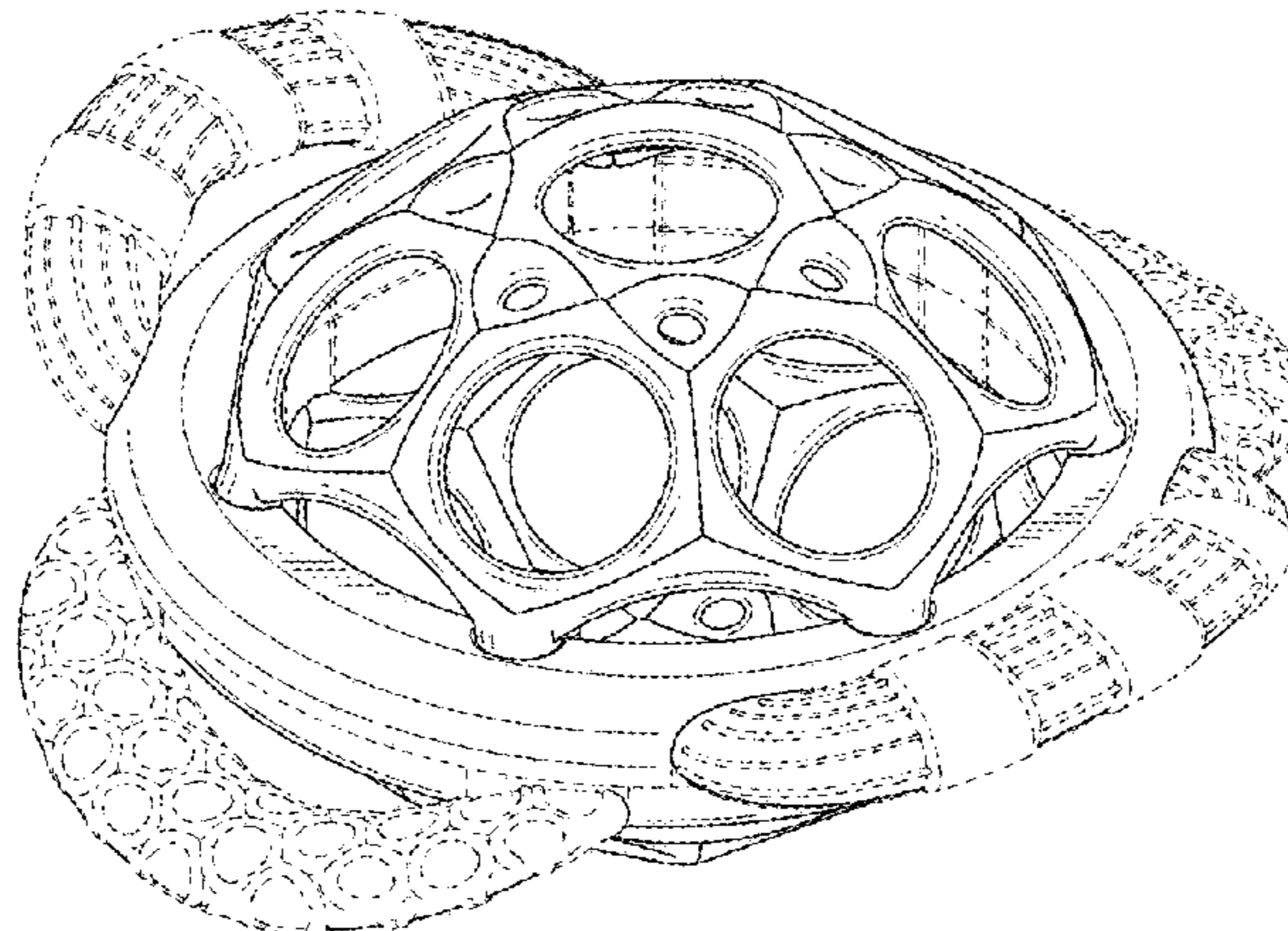
U.S. PATENT DOCUMENTS

180,196 A 7/1876 Butler
183,209 A 10/1876 Rich
449,146 A 3/1891 Watrous
693,064 A 2/1902 Proben et al.
1,077,340 A 11/1913 Graham
1,188,904 A 6/1916 Cosgriff
1,319,297 A 10/1919 Limacher
1,429,198 A 9/1922 Fawcett
1,457,360 A 6/1923 Gilbert
1,626,425 A 4/1927 Pelsue
2,006,230 A 6/1935 Dobbins
2,211,102 A 8/1940 Davis
2,211,330 A 8/1940 Hochberg
2,270,553 A 1/1942 Potito

DESCRIPTION

FIG. 1 is a top perspective view of a children's toy, showing my new design;
FIG. 2 is a front view of the children's toy of FIG. 1;
FIG. 3 is a rear view of the children's toy of FIG. 1;
FIG. 4 is a right side view of the children's toy of FIG. 1;
FIG. 5 is a left side view of the children's toy of FIG. 1;
FIG. 6 is a top view of the children's toy of FIG. 1; and,
FIG. 7 is a bottom view of the children's toy of FIG. 1.
The broken lines in the drawings are for the purpose of illustrating portions of the children's toy, which form no part of the claimed design.

1 Claim, 4 Drawing Sheets



(56)

References Cited

U.S. PATENT DOCUMENTS

2,499,483 A	3/1950	Foy	5,766,701 A	6/1998	Lee
2,519,248 A	8/1950	Hulbert	5,772,204 A	6/1998	Phelps
2,687,302 A	8/1954	Stiegler	5,788,554 A	8/1998	Goodwin et al.
2,717,473 A	9/1955	Moore	5,853,313 A	12/1998	Zheng
2,742,771 A	4/1956	Negaard	6,098,571 A *	8/2000	Axelrod A01K 15/025 119/707
2,770,915 A	11/1956	Hicks	D437,010 S	1/2001	Meys
2,937,475 A	5/1960	Crawford	6,203,393 B1	3/2001	Flynn
3,018,583 A	1/1962	Novotney	6,279,984 B1	8/2001	Reina, Jr.
3,046,016 A	7/1962	Laws	D453,571 S	2/2002	Hall
3,154,882 A	11/1964	Bossiere	6,418,673 B1	7/2002	Flowerday
3,274,596 A	9/1966	Raabe	6,488,556 B2	12/2002	Galomb
3,276,148 A	10/1966	Snelson	6,517,406 B1	2/2003	Cash
3,483,907 A	12/1969	Corridon	6,524,272 B1	2/2003	Berry, Sr.
3,531,009 A	9/1970	Saperstein	D477,441 S	7/2003	Willinger et al.
3,571,970 A	3/1971	Dunn et al.	6,609,944 B1	8/2003	Viola
3,603,023 A	9/1971	McHugh	D479,897 S	9/2003	Willinger
3,633,587 A	1/1972	Hunt	D489,494 S *	5/2004	Silvergate D21/713
3,691,704 A	9/1972	Novak	6,729,984 B2	5/2004	Silvergate
3,758,116 A	9/1973	Pieronek	6,769,588 B2	8/2004	Zheng
3,768,202 A	10/1973	Wheelock	D514,263 S	1/2006	Willinger
3,777,392 A	12/1973	Span et al.	7,152,750 B2	12/2006	Coffey
3,841,039 A	10/1974	Farnsworth, III	7,169,120 B2	1/2007	Murdock et al.
3,866,348 A	2/1975	Roby et al.	D539,367 S	3/2007	Jones
3,889,950 A	6/1975	Kasravi	D563,609 S	3/2008	Gick
3,913,879 A	10/1975	Wright, Jr.	7,520,793 B2	4/2009	Pillai et al.
3,959,937 A	6/1976	Spunt	D596,248 S	7/2009	Silvergate
4,088,319 A	5/1978	Clarke	7,600,488 B2	10/2009	Mann
4,128,909 A	12/1978	Kawabe et al.	D610,215 S *	2/2010	Wechsler D21/707
4,213,266 A	7/1980	Hyland et al.	7,662,012 B2	2/2010	Wright
4,274,224 A	6/1981	Pugh et al.	D621,259 S	8/2010	Joy et al.
4,282,679 A	8/1981	Grubb et al.	7,806,746 B2	10/2010	Walterscheid
4,309,852 A	1/1982	Stolpin	7,867,101 B2	1/2011	Chiang
4,311,149 A *	1/1982	Panicci A44C 5/2042 606/235	7,867,115 B2	1/2011	Zawitz
4,381,620 A	5/1983	Panzarella	7,901,375 B2	3/2011	Dunn et al.
4,403,441 A	9/1983	White et al.	D635,685 S	4/2011	Hendricks et al.
4,476,649 A	10/1984	Zaruba	D636,949 S	4/2011	Axelrod et al.
D277,685 S *	2/1985	Olsen D21/475	7,931,520 B2	4/2011	Bryce
4,514,995 A	5/1985	Curtis et al.	8,021,391 B2 *	9/2011	Minoguchi A61J 17/002 606/235
4,579,538 A	4/1986	Bass et al.	D646,792 S	10/2011	Pope
D284,493 S	7/1986	King	8,052,552 B2	11/2011	Silvergate
4,610,637 A	9/1986	Ferguson	8,282,518 B2	10/2012	Silvergate et al.
D287,988 S	1/1987	Billinghurst	8,371,899 B1	2/2013	Walterscheid
4,637,941 A	1/1987	Rochte	8,475,494 B2 *	7/2013	Marcus A61J 17/02 606/235
4,645,471 A	2/1987	Herring et al.	D688,760 S *	8/2013	Silvergate D21/713
4,778,429 A	10/1988	Todokoro	8,506,345 B2	8/2013	Tigan et al.
4,813,674 A	3/1989	Lorhpiapat	D690,376 S *	9/2013	Silvergate D21/712
4,836,787 A	6/1989	Boo	D690,785 S *	10/2013	Silvergate D21/713
4,869,701 A	9/1989	Kawai et al.	8,579,133 B2	11/2013	Marcus et al.
4,883,441 A	11/1989	Byer	8,764,511 B2	7/2014	Verbera et al.
4,929,216 A	5/1990	Morris et al.	8,820,268 B2 *	9/2014	Valle A01K 15/025 119/710
4,941,579 A	7/1990	Lee	8,851,956 B2	10/2014	Niu
5,104,125 A	4/1992	Wilson	D717,454 S	11/2014	Reese
5,174,580 A	12/1992	Pratt	8,932,101 B2	1/2015	Silvergate et al.
D332,982 S *	2/1993	Norman D21/713	8,998,670 B1	4/2015	De Leon
5,195,917 A	3/1993	Russell et al.	9,101,535 B2	8/2015	Silvergate et al.
D336,317 S	6/1993	Thomson et al.	9,161,888 B2	10/2015	Lamar
5,219,162 A	6/1993	Orbanes et al.	9,271,552 B2	3/2016	Van Ostenbridge
5,224,959 A	7/1993	Kasper	9,289,695 B2	3/2016	Sadri et al.
5,236,196 A	8/1993	Blankenburg et al.	9,301,904 B2	4/2016	Paxson et al.
D340,991 S	11/1993	Clements	D767,688 S	9/2016	Nelson
D345,422 S *	3/1994	Spence, Jr. D24/193	D779,001 S *	2/2017	Nimes D21/707
5,309,586 A	5/1994	Sies et al.	D779,002 S *	2/2017	Nimes D21/707
D352,753 S	11/1994	Giannini et al.	D781,973 S *	3/2017	Wills D21/707
5,364,348 A	11/1994	Berry, Sr.	D782,586 S *	3/2017	Wills D21/707
5,411,262 A	5/1995	Smith	D783,738 S *	4/2017	Elson D21/608
D359,327 S	6/1995	Gould	D791,889 S *	7/2017	Goldman D21/707
5,449,174 A	9/1995	Criner	9,868,069 B2 *	1/2018	Keller A63B 9/00
5,451,436 A	9/1995	Shelleman	D814,579 S *	4/2018	Williams D21/713
D366,288 S	1/1996	Kino	D817,414 S *	5/2018	Flores D21/556
5,480,143 A *	1/1996	McMurry A63B 43/00 473/613	D821,661 S *	6/2018	Burchman D30/160
5,611,721 A	3/1997	Hoeting et al.	D827,048 S *	8/2018	Flores D21/537
D379,206 S	5/1997	Meffert	D827,049 S *	8/2018	Flores D21/537
5,759,083 A	6/1998	Polumbaum et al.	D827,052 S *	8/2018	Flores D21/552
			D827,053 S *	8/2018	Jungco D21/555
			2004/0221885 A1	11/2004	Zheng

(56)

References Cited

U.S. PATENT DOCUMENTS

2005/0142980 A1 6/2005 Rivero
2007/0077857 A1 4/2007 Wright
2008/0032826 A1 2/2008 Mubarak et al.
2009/0170643 A1 7/2009 Silvergate
2009/0170645 A1 7/2009 Silvergate
2011/0256797 A1 10/2011 Chernick et al.
2012/0171924 A1 7/2012 Karnick et al.
2015/0297955 A1 10/2015 Silvergate et al.
2015/0328515 A1 11/2015 Prendergast
2016/0051862 A1 2/2016 Silvergate et al.
2016/0310856 A1 10/2016 Mitchell et al.
2017/0007937 A1 1/2017 Elson et al.

OTHER PUBLICATIONS

Binxy (Paci-Sphere) Product Description Document; Sep. 13, 2009;
2 pgs.

Grab Ball Toy Product Description Document; 2 pgs; Jul. 28, 2001.

Hol-ee Roller Toy Product Description Document; 2 pgs; Jul. 28,
2001.

ISA Korean Intellectual Property Office, International Search Report
of PCT/US2010/055855; dated Jul. 27, 2011; 9 pgs.

International Search Report for PCT/US2011/023339; 3 pgs; dated
Oct. 27, 2011.

Mother's Cubbard Booth Listing; Sep. 13, 2009; 2 pgs.

Mother's Cubbard Name Tag; Sep. 13, 2009; 2 pgs.

Popko, Edward; Geodesics; Fig. No. 62 of "Bicycle Wheel" Dome;
University of Detroit Press; 1 pg.; 1968.

Sportime(R) Fall 2003 Catalog; p. 21; 2003.

* cited by examiner

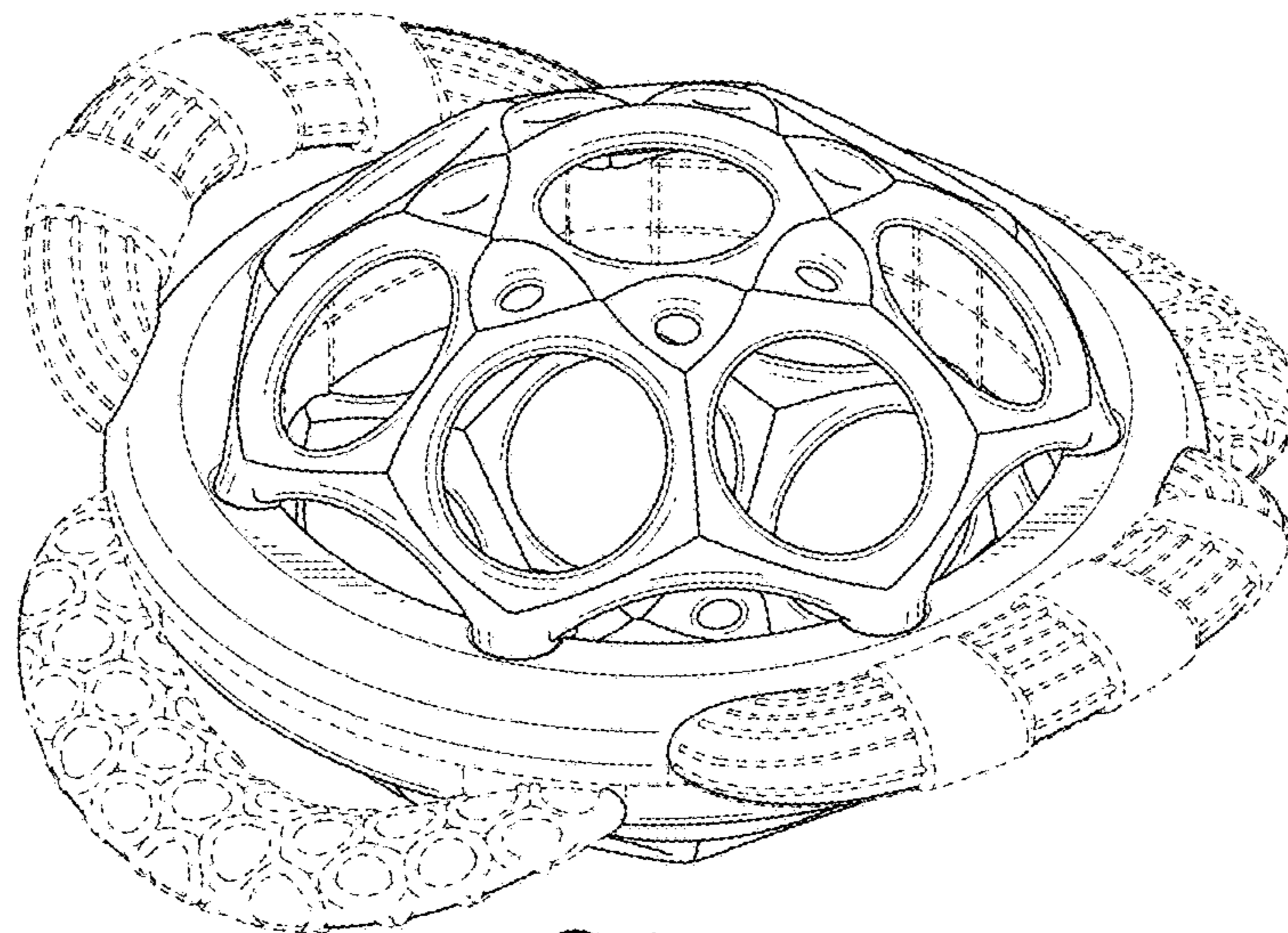


FIG. 1

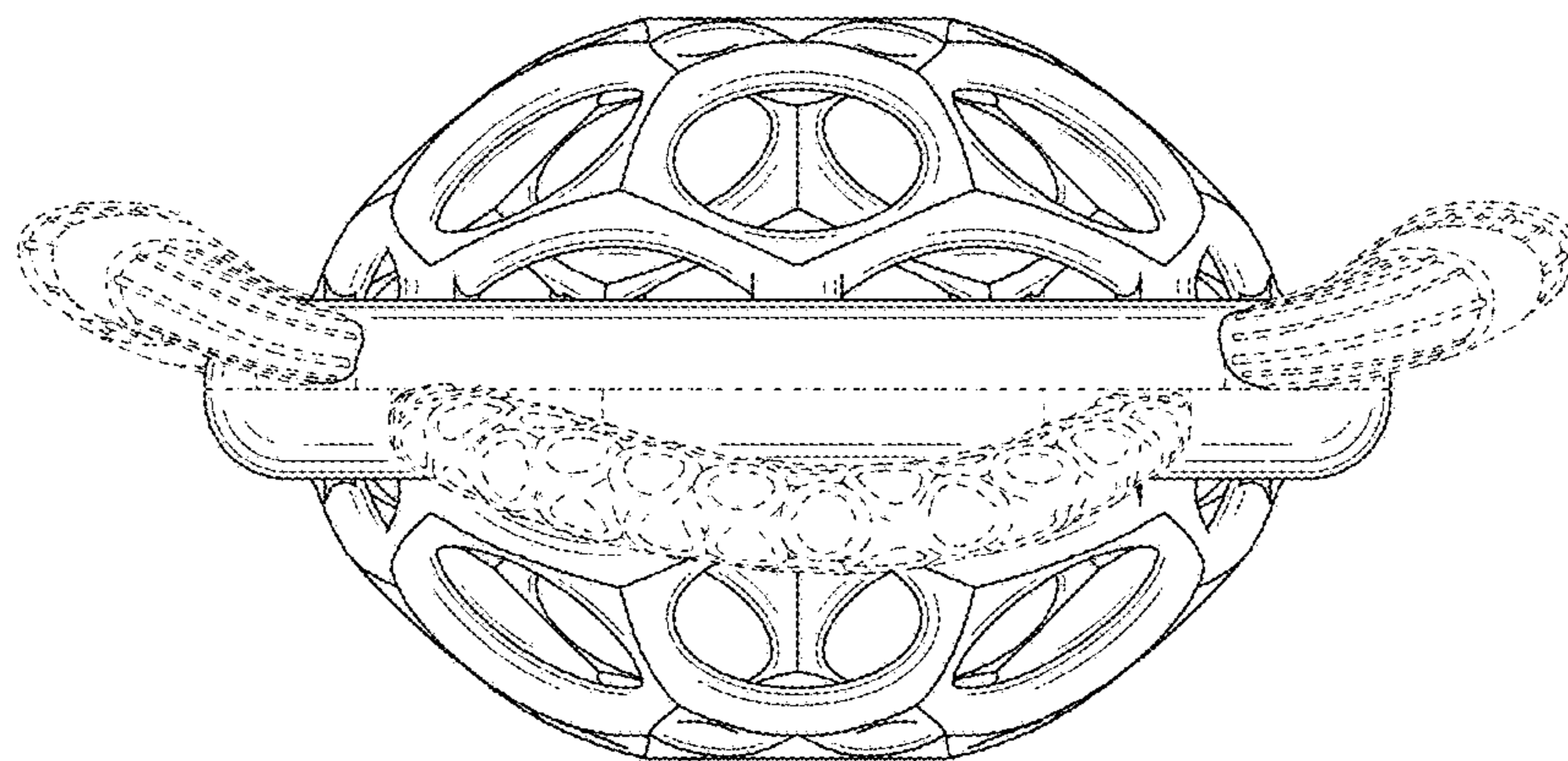
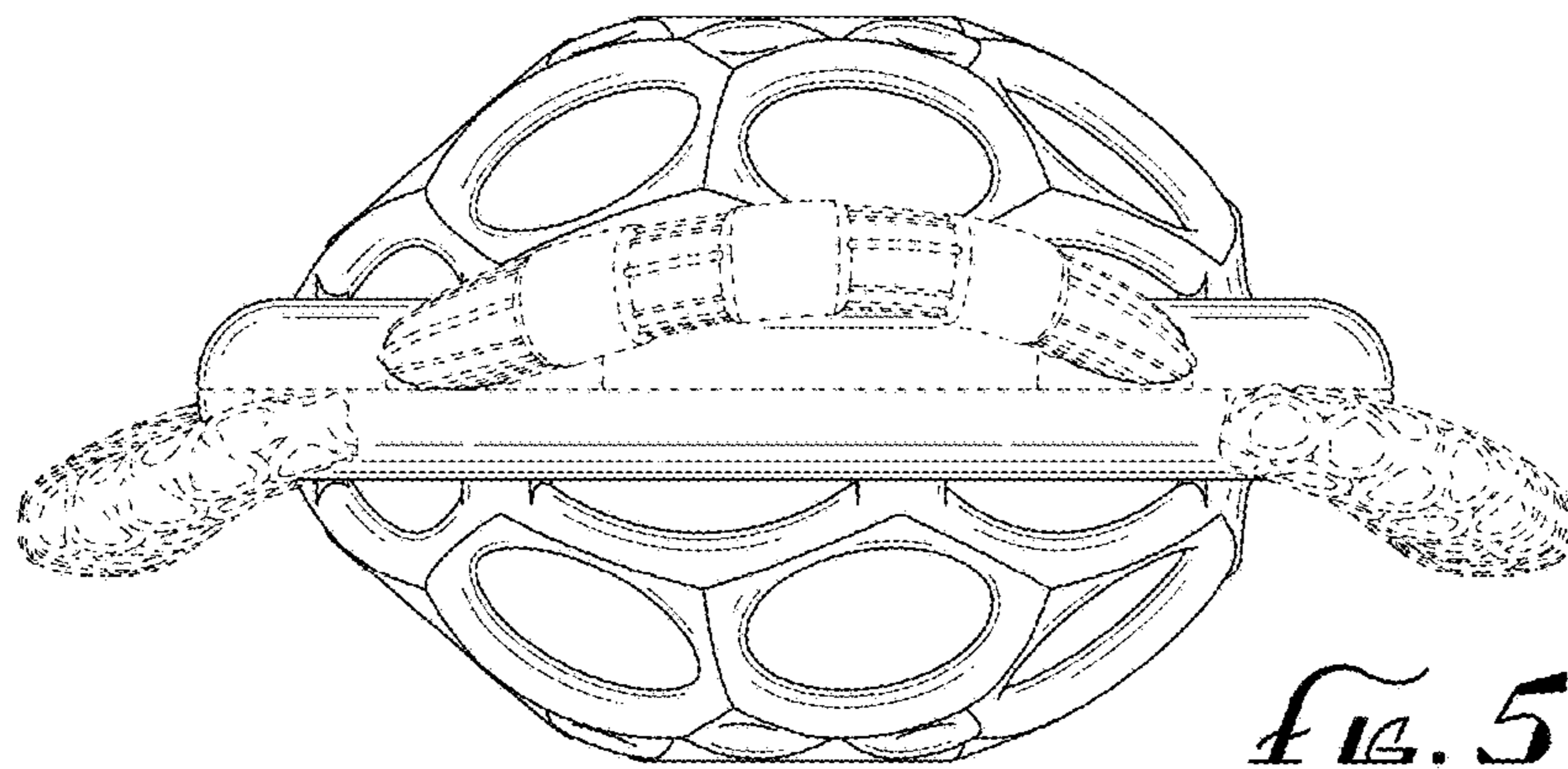
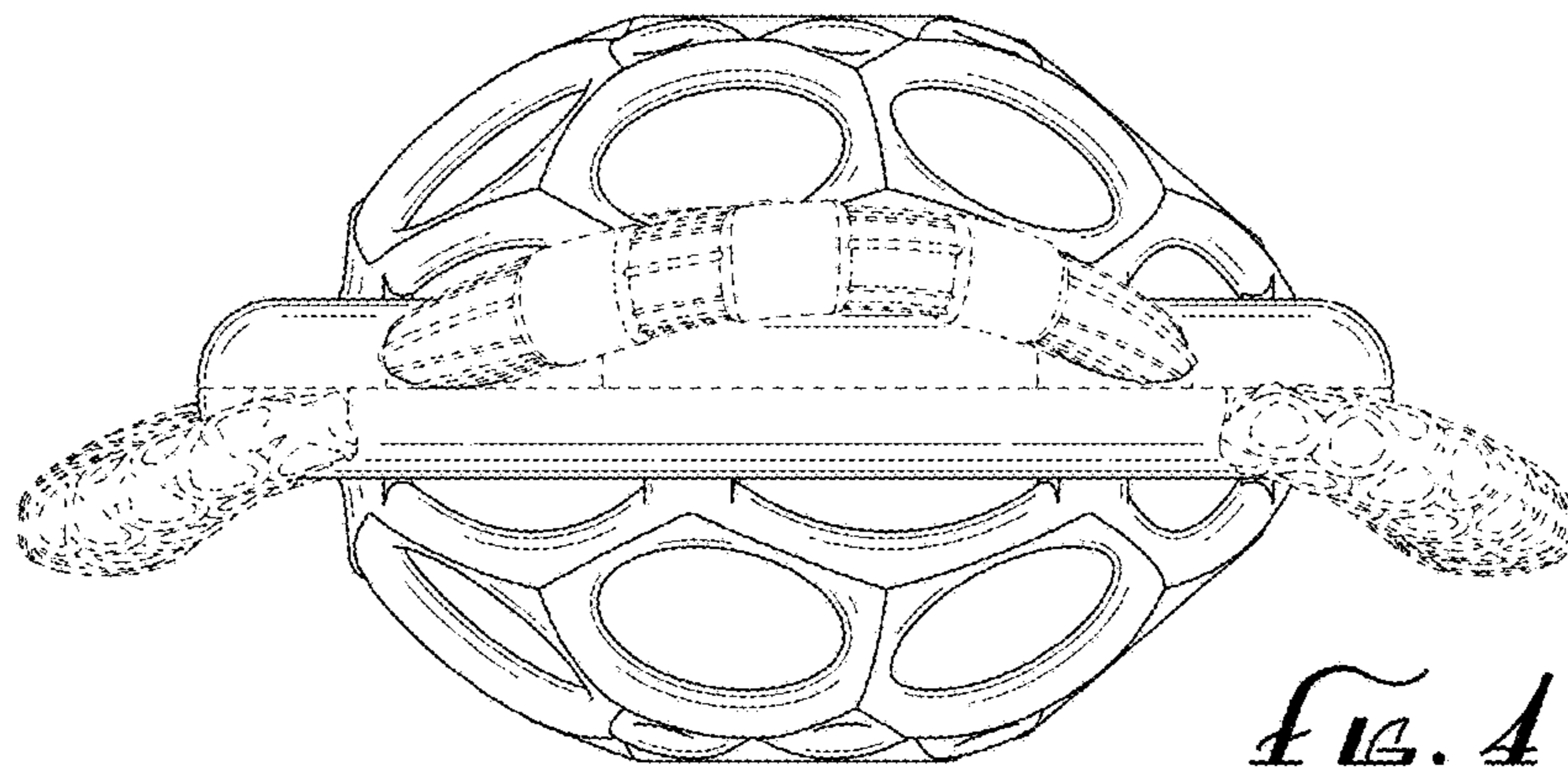
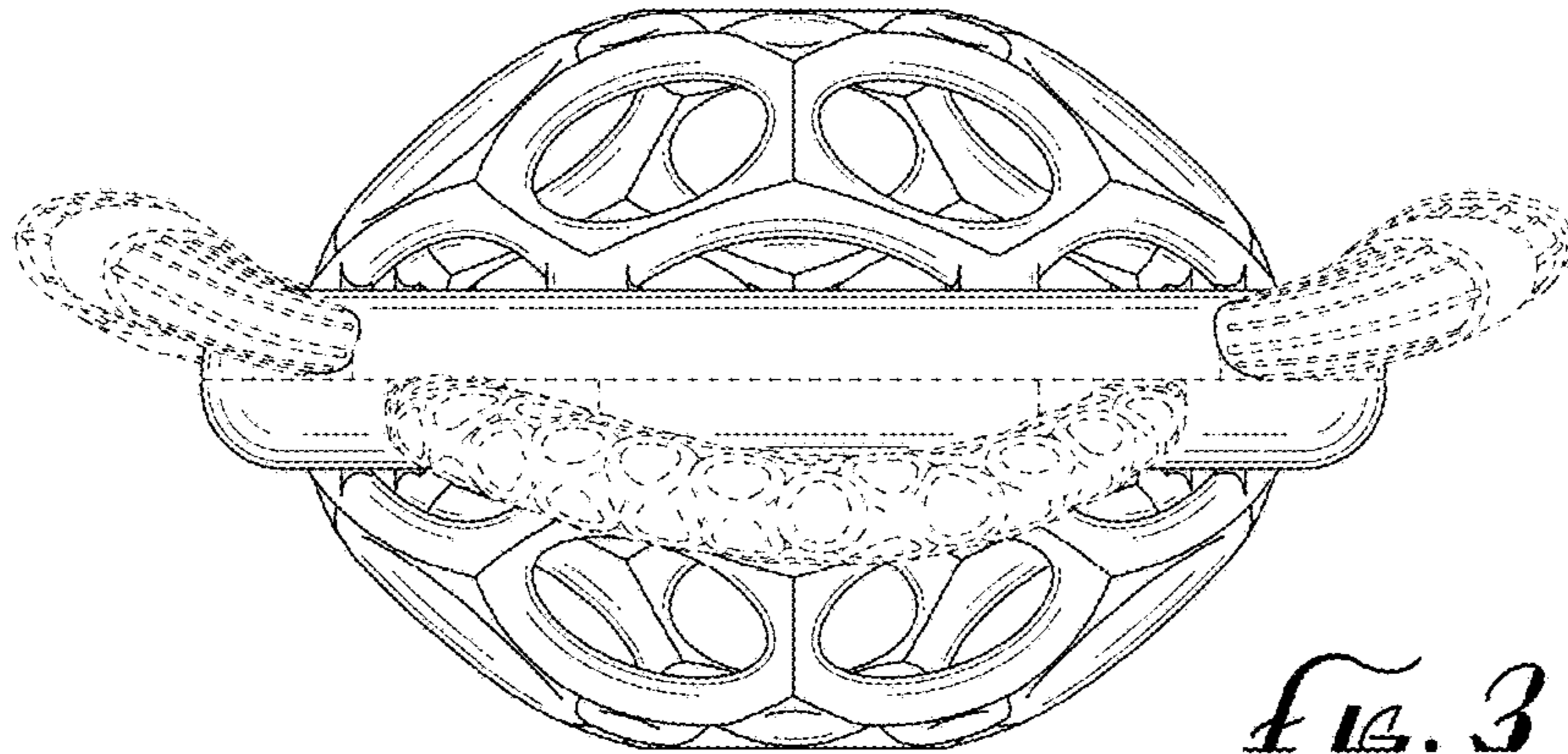


FIG. 2



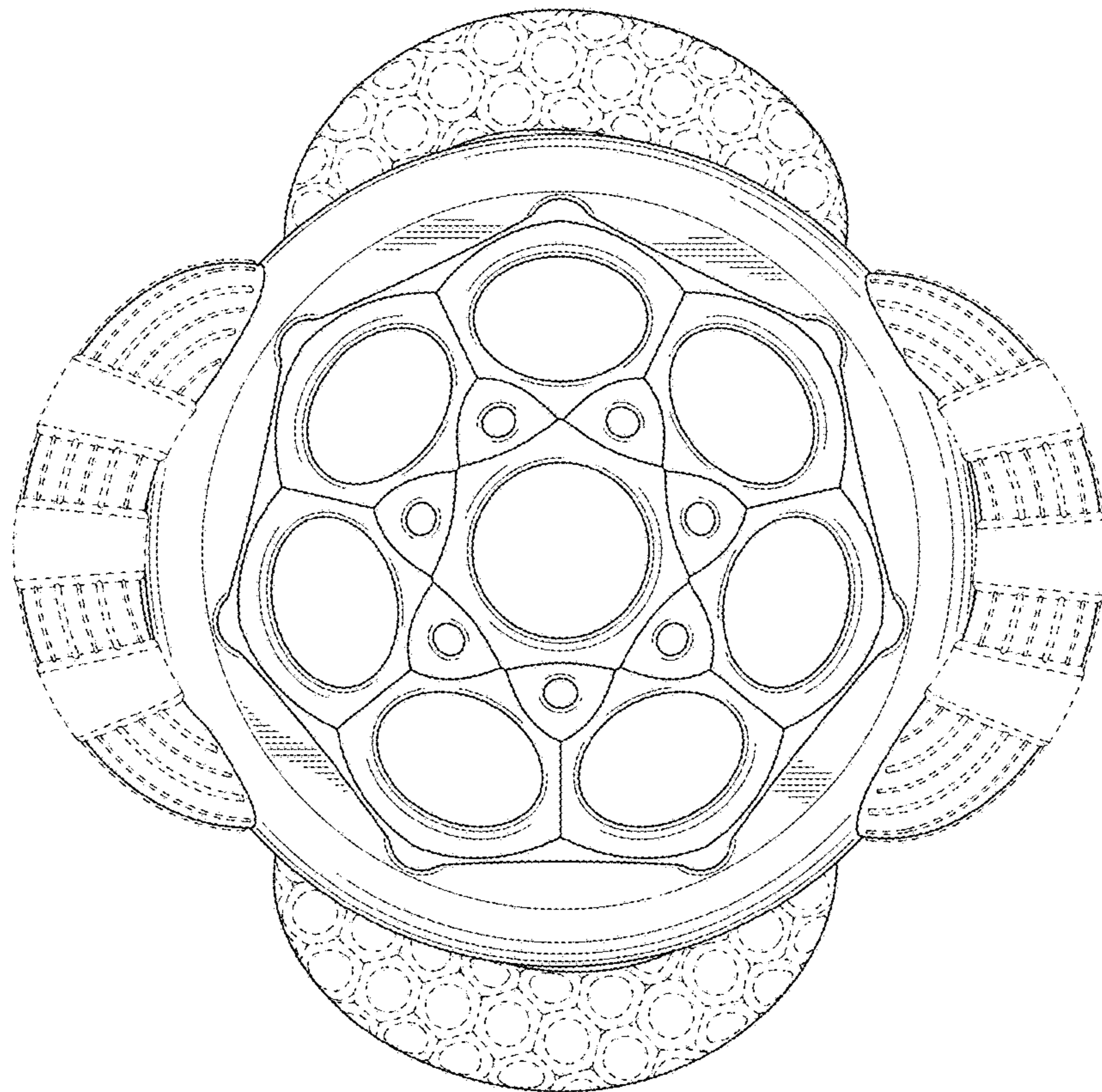


FIG. 6

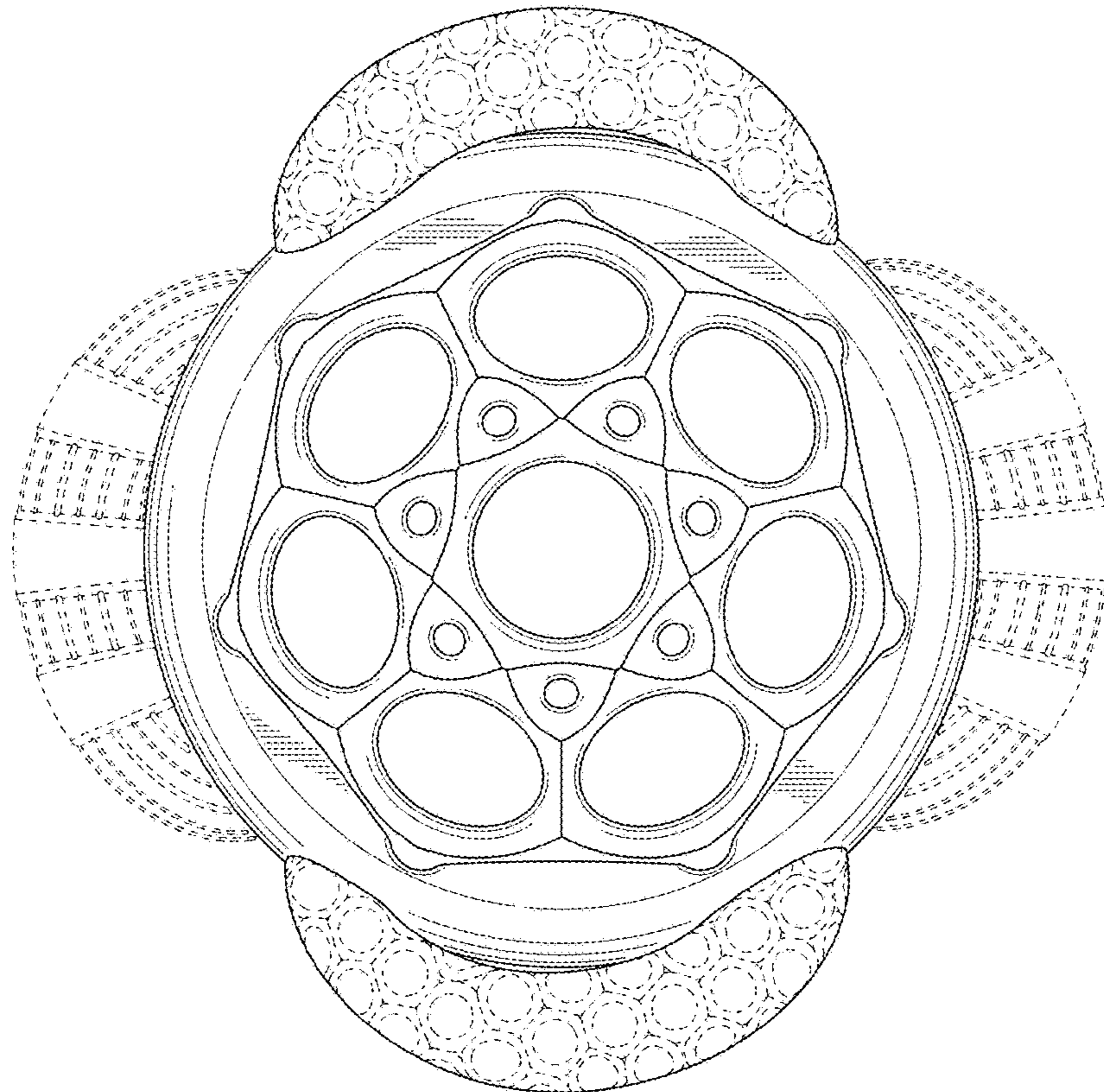


FIG. 7