



US00D843491S

(12) **United States Design Patent**
Van Dan Elzen

(10) **Patent No.:** **US D843,491 S**

(45) **Date of Patent:** **** Mar. 19, 2019**

- (54) **YO-YO**
- (71) Applicant: **Hans W Van Dan Elzen**, Gilbert, AZ (US)
- (72) Inventor: **Hans W Van Dan Elzen**, Gilbert, AZ (US)
- (**) Term: **15 Years**
- (21) Appl. No.: **29/589,251**
- (22) Filed: **Dec. 29, 2016**
- (51) **LOC (11) Cl.** **21-01**
- (52) **U.S. Cl.**
USPC **D21/464**
- (58) **Field of Classification Search**
USPC D21/455-464; 446/236-266, 213-215, 446/217, 218
CPC A63H 1/00-1/32; A63H 5/00
See application file for complete search history.

- 5,984,759 A * 11/1999 O'Sullivan A63H 1/32 446/250
- 6,165,042 A * 12/2000 Chin A63H 1/24 446/292
- 6,287,193 B1 * 9/2001 Rehkemper A63H 1/30 273/142 H
- 6,896,576 B1 * 5/2005 VanKuiken A63H 1/30 446/245
- 2011/0256793 A1 * 10/2011 Van Dan Elzen A63H 1/30 446/250

FOREIGN PATENT DOCUMENTS

- CN 3457505 * 6/2005
- CN 3480910 * 10/2005
- CN 3589136 * 12/2006
- CN 300436709.0000 * 1/2007
- CN 3634817 * 4/2007
- CN 301660766 * 8/2011
- CN 302362439 * 3/2013
- CN 302362444 * 3/2013
- CN 303348922 * 8/2015
- EP 2260914 A2 * 12/2010 A63H 1/30

* cited by examiner

(56) **References Cited**

U.S. PATENT DOCUMENTS

- 201,345 A * 3/1878 Harrison A63H 5/00 446/213
- 2,015,649 A * 10/1935 Amell A63H 1/28 446/215
- D152,970 S * 3/1949 Hirsch D21/464
- 2,687,302 A * 8/1954 Stiegler A63B 43/00 446/409
- D175,022 S * 6/1955 Ives D21/464
- D187,662 S * 4/1960 Ives D21/464
- 3,156,068 A * 11/1964 Nelligan A63H 1/30 446/215
- D201,252 S * 6/1965 Salayka D21/464
- 3,805,443 A * 4/1974 Duncan, Jr. A63H 1/30 446/250
- D247,386 S * 2/1978 Hellman D21/464
- 5,017,172 A * 5/1991 Seifert A63H 1/04 446/250
- D366,289 S * 1/1996 Newcomer D21/464

Primary Examiner — Catherine A Tuttle

(74) *Attorney, Agent, or Firm* — Barnes & Thornburg LLP; Mark J. Nahnsen

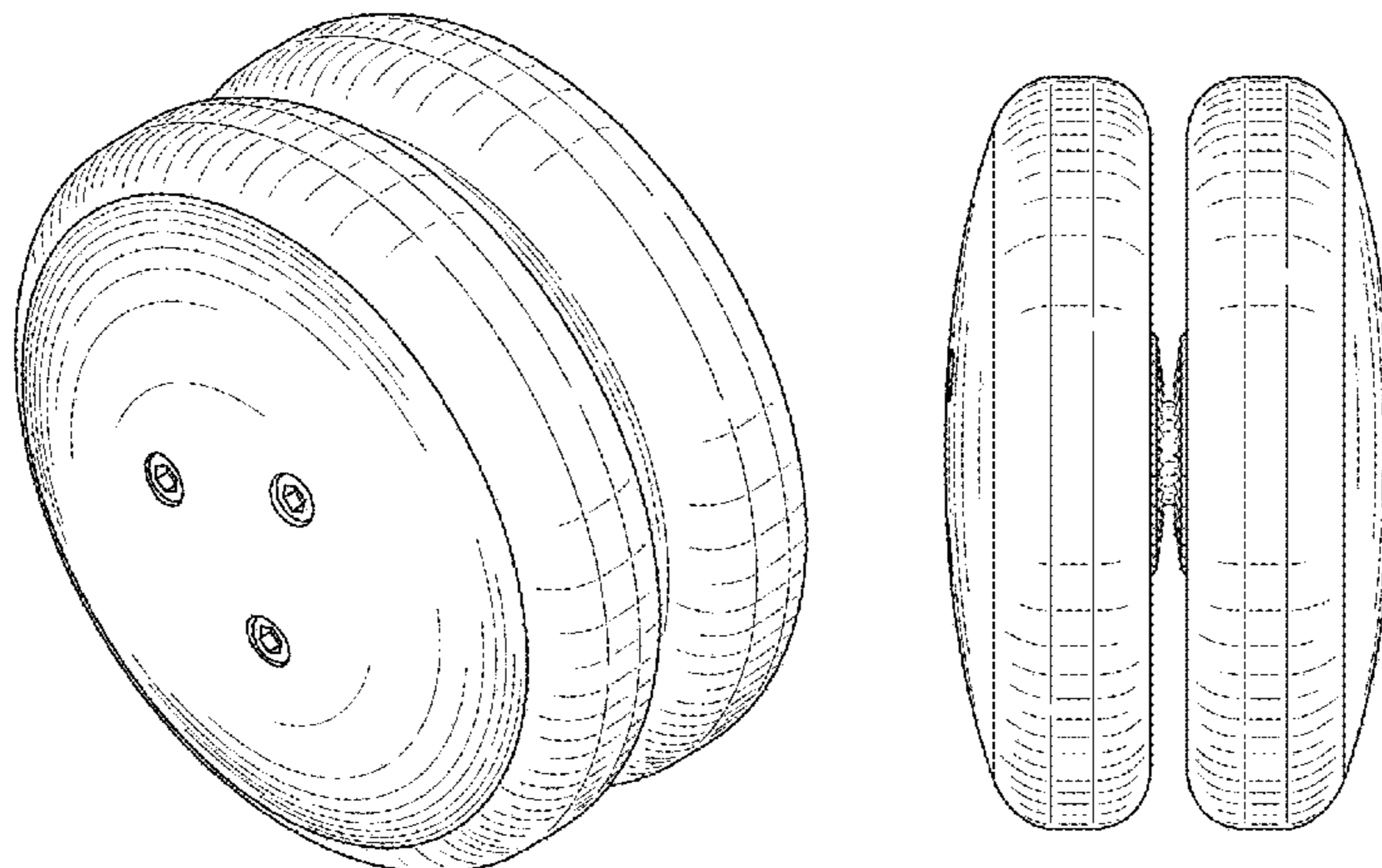
(57) **CLAIM**

The ornamental design for a yo-yo, as shown and described.

DESCRIPTION

FIG. 1 is a perspective view of a yo-yo; FIG. 2 is a front elevational view thereof; FIG. 3 is a rear elevational view thereof; FIG. 4 is a left side elevational view thereof; FIG. 5 is right side elevational view thereof; FIG. 6 is a top elevational view thereof; and, FIG. 7 is a bottom elevational view thereof.

1 Claim, 4 Drawing Sheets



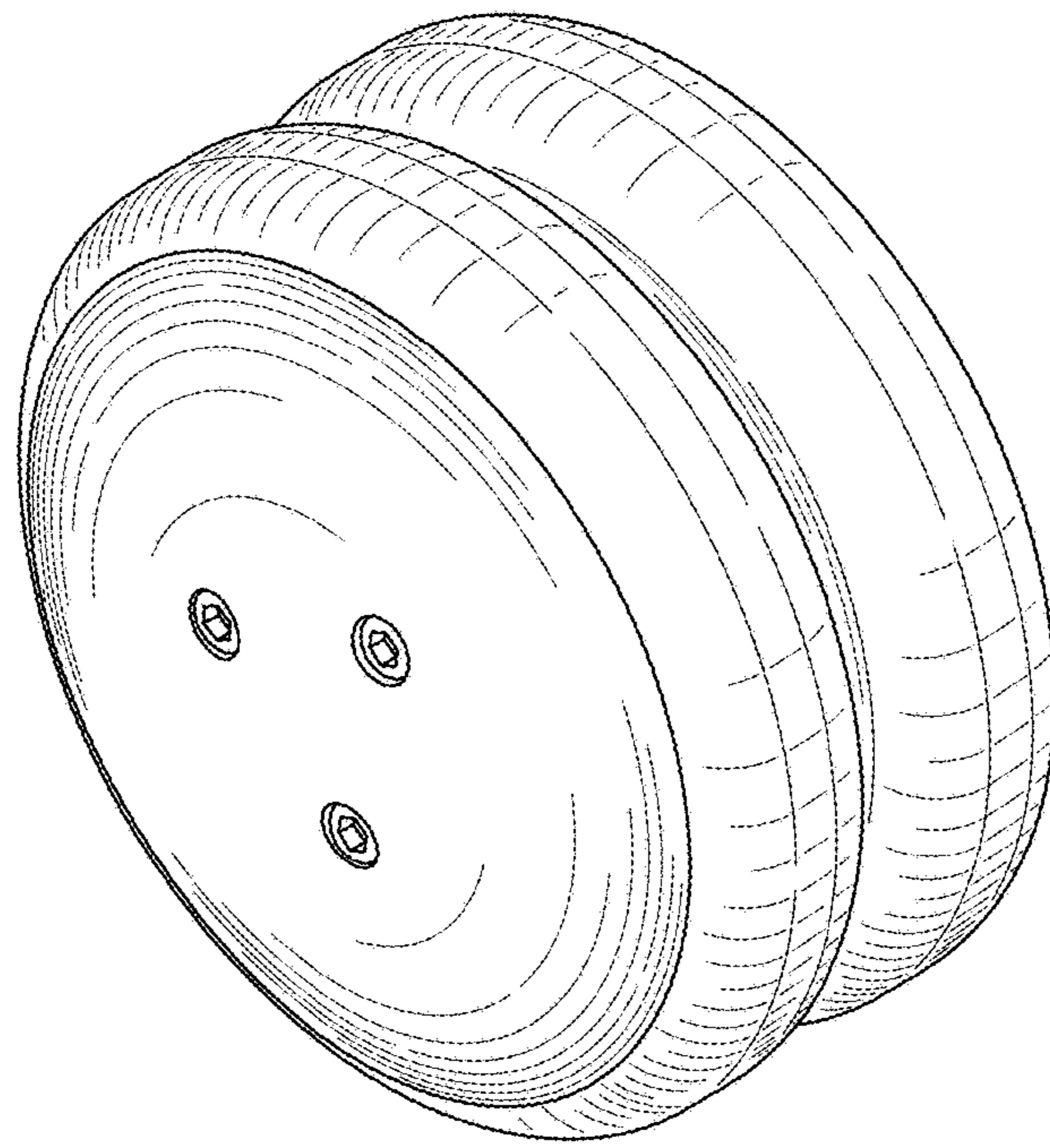


FIG. 1

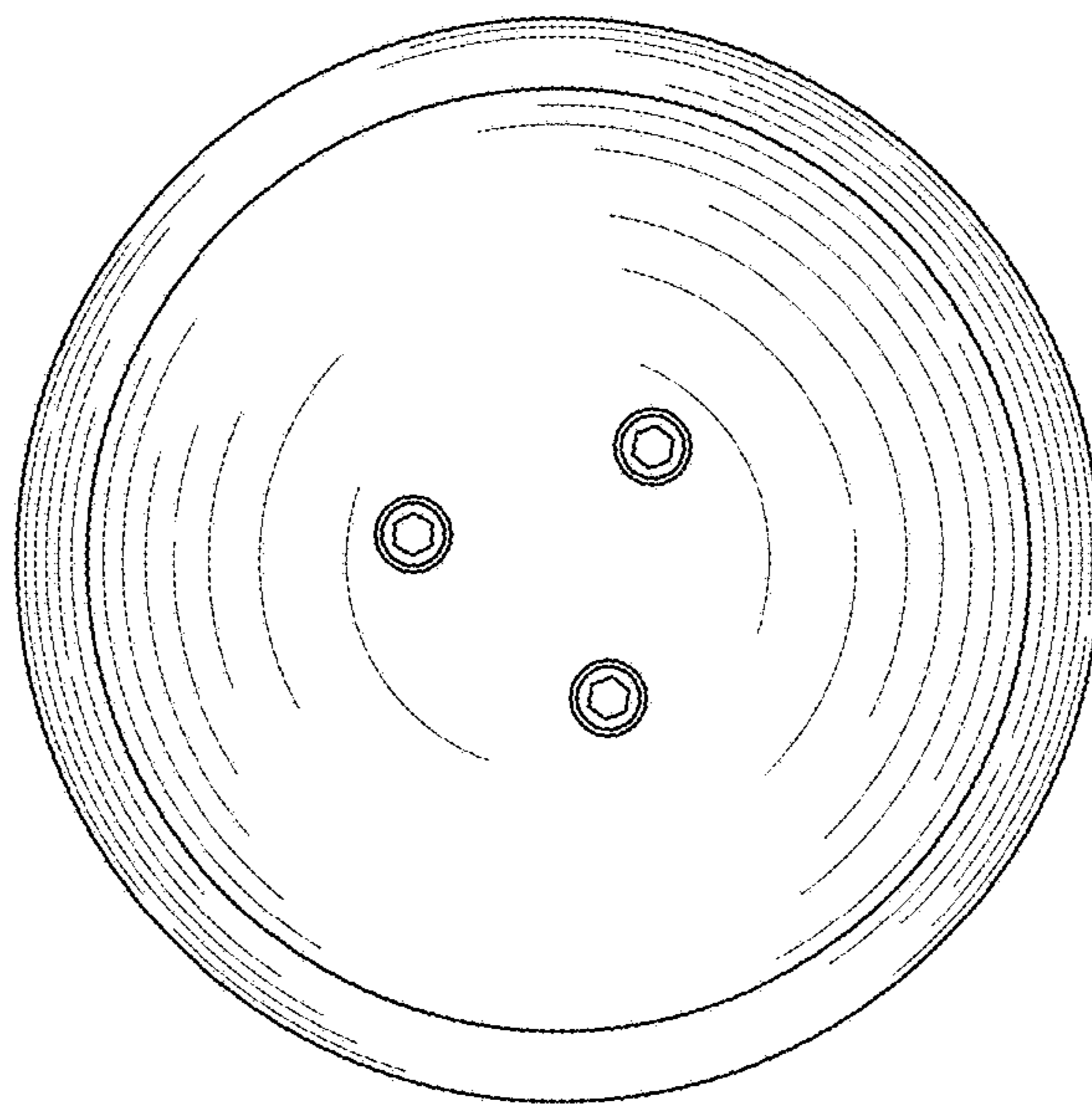


FIG. 2

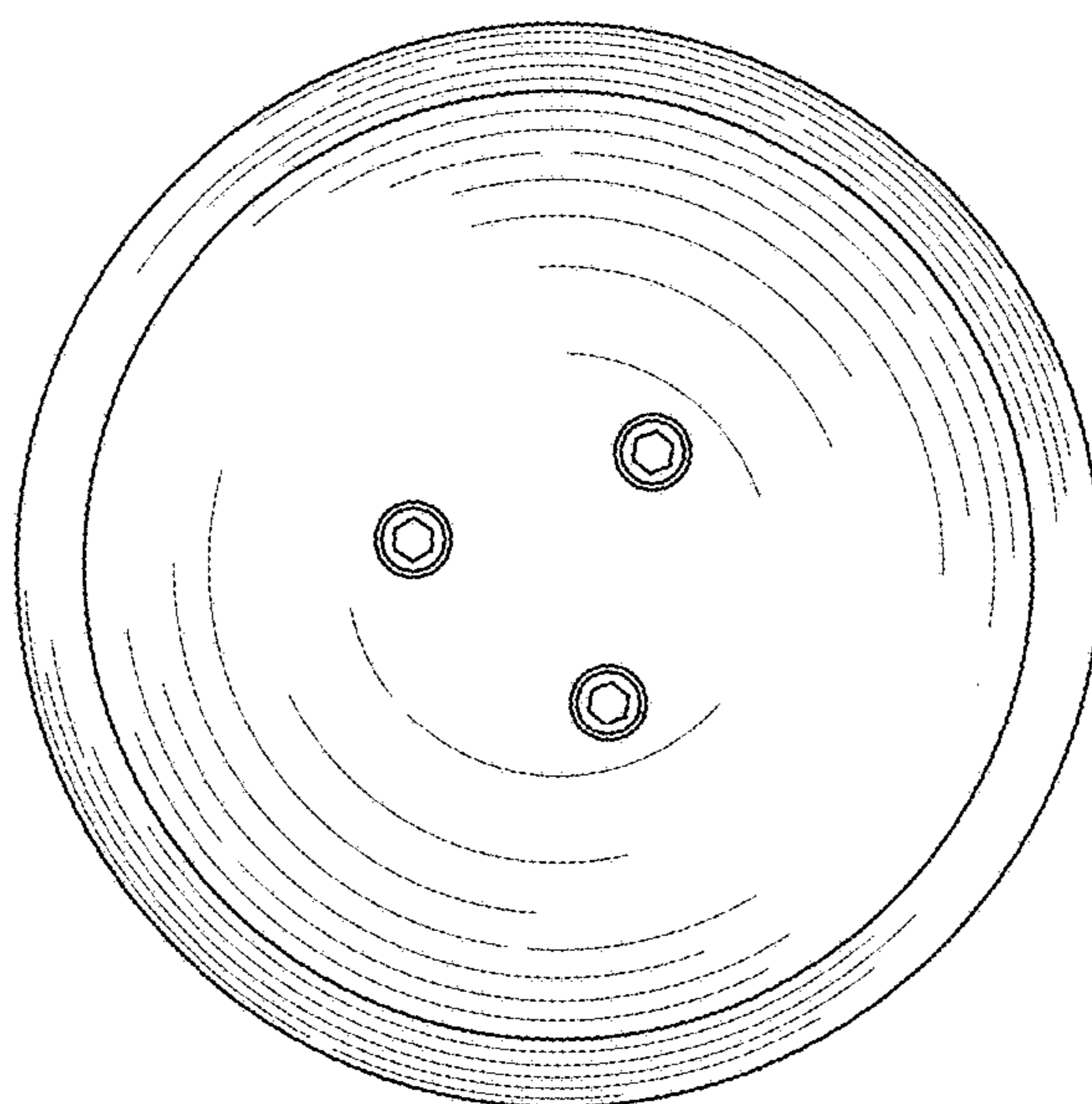


FIG. 3

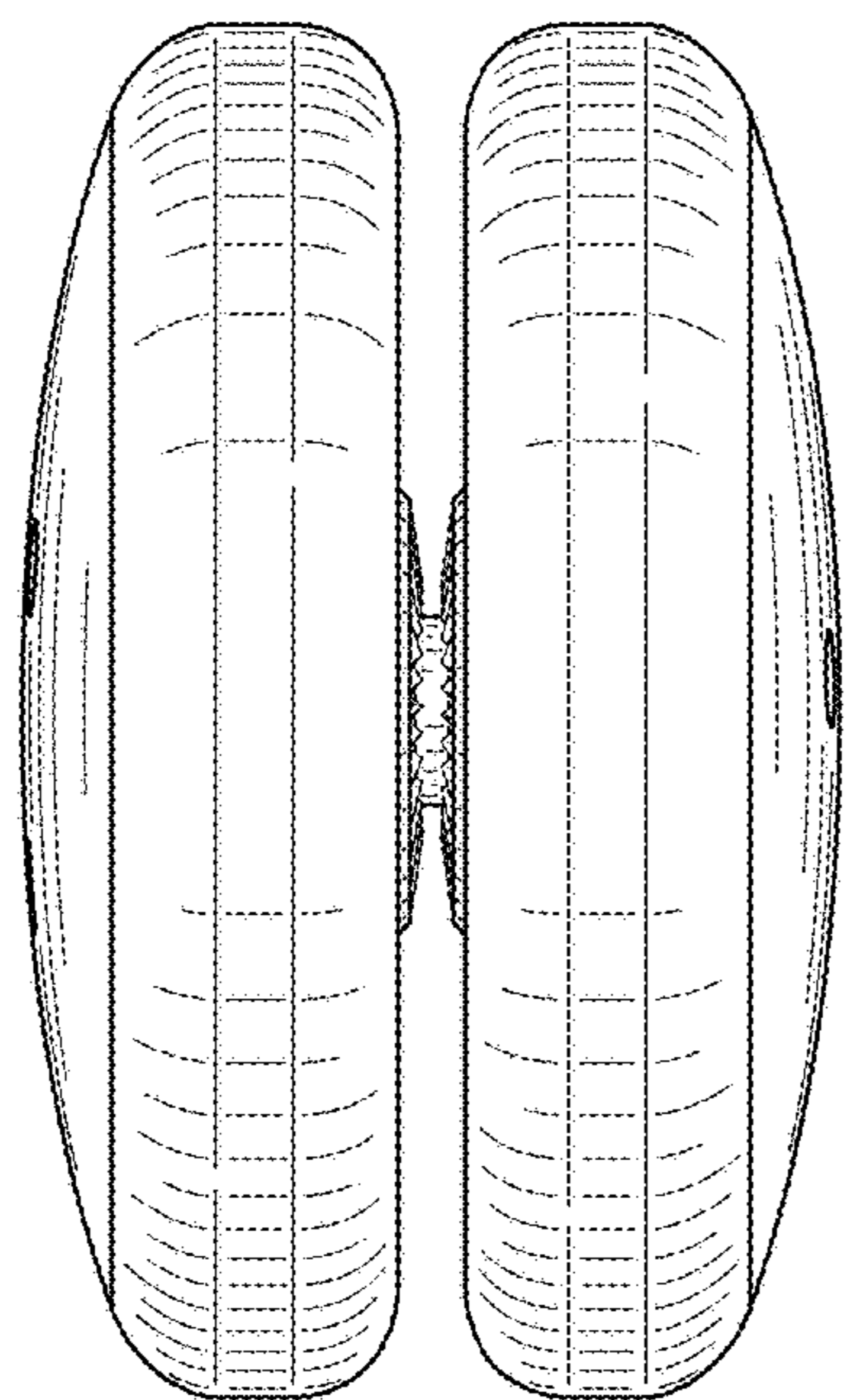


FIG. 4

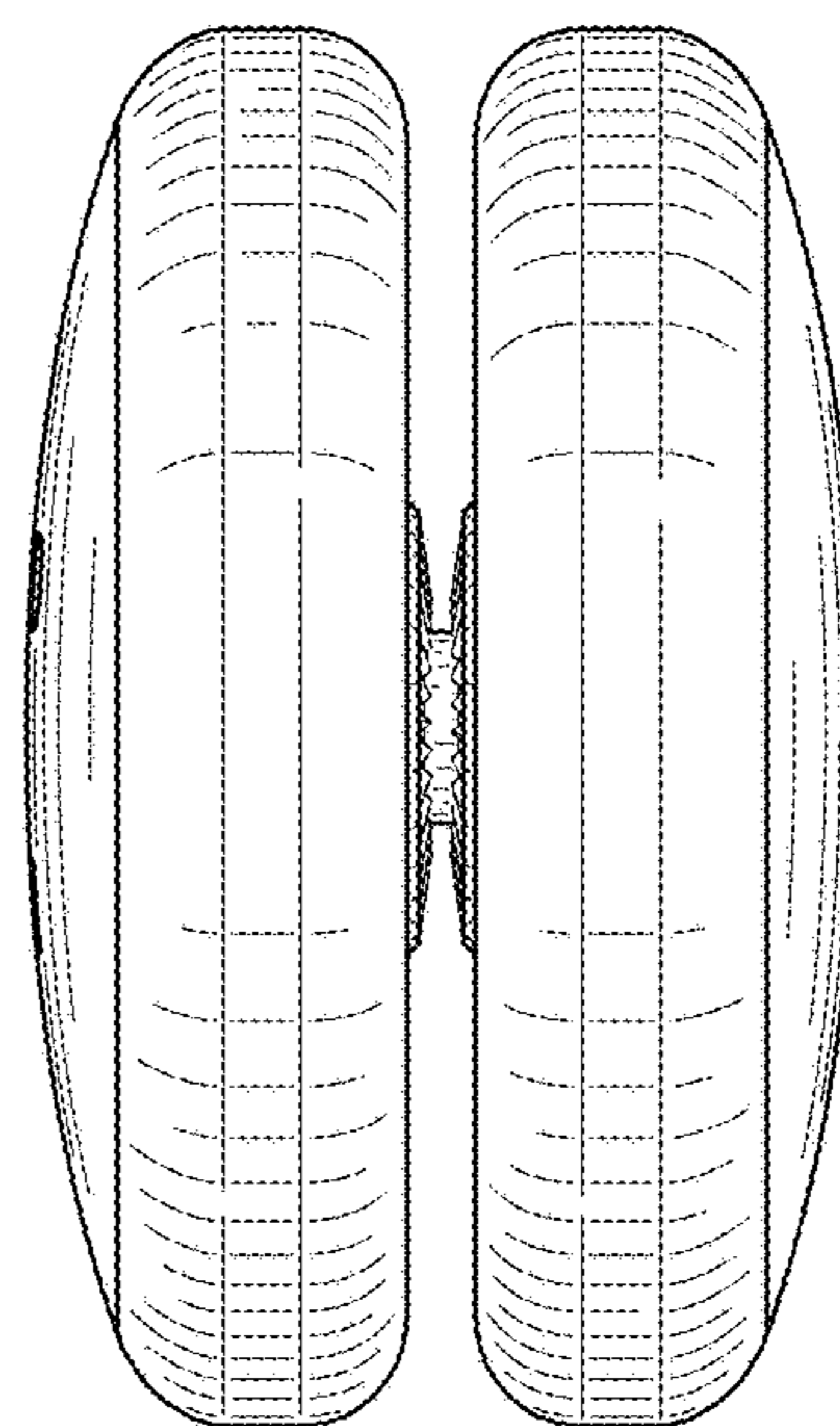


FIG. 5

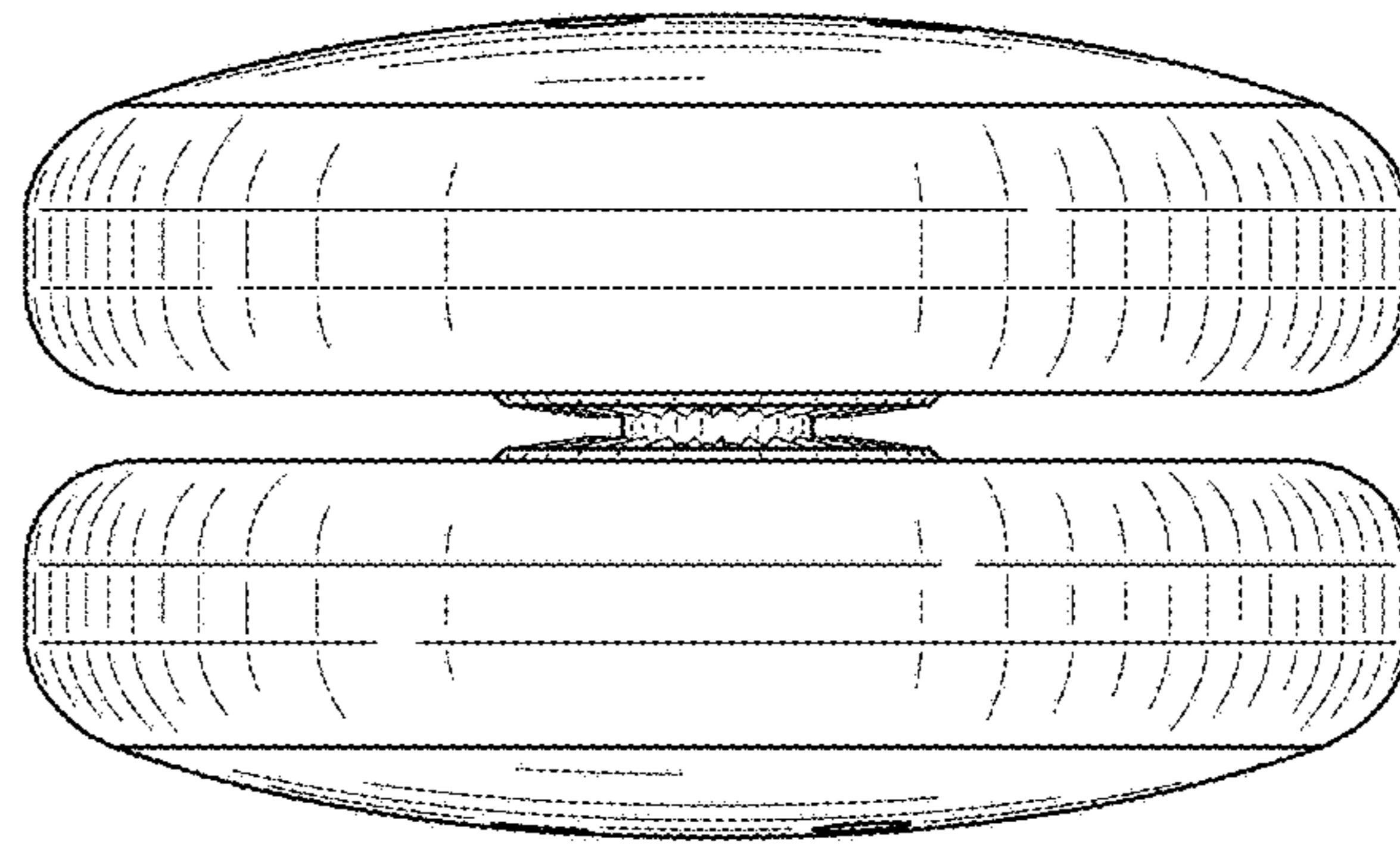


FIG. 6

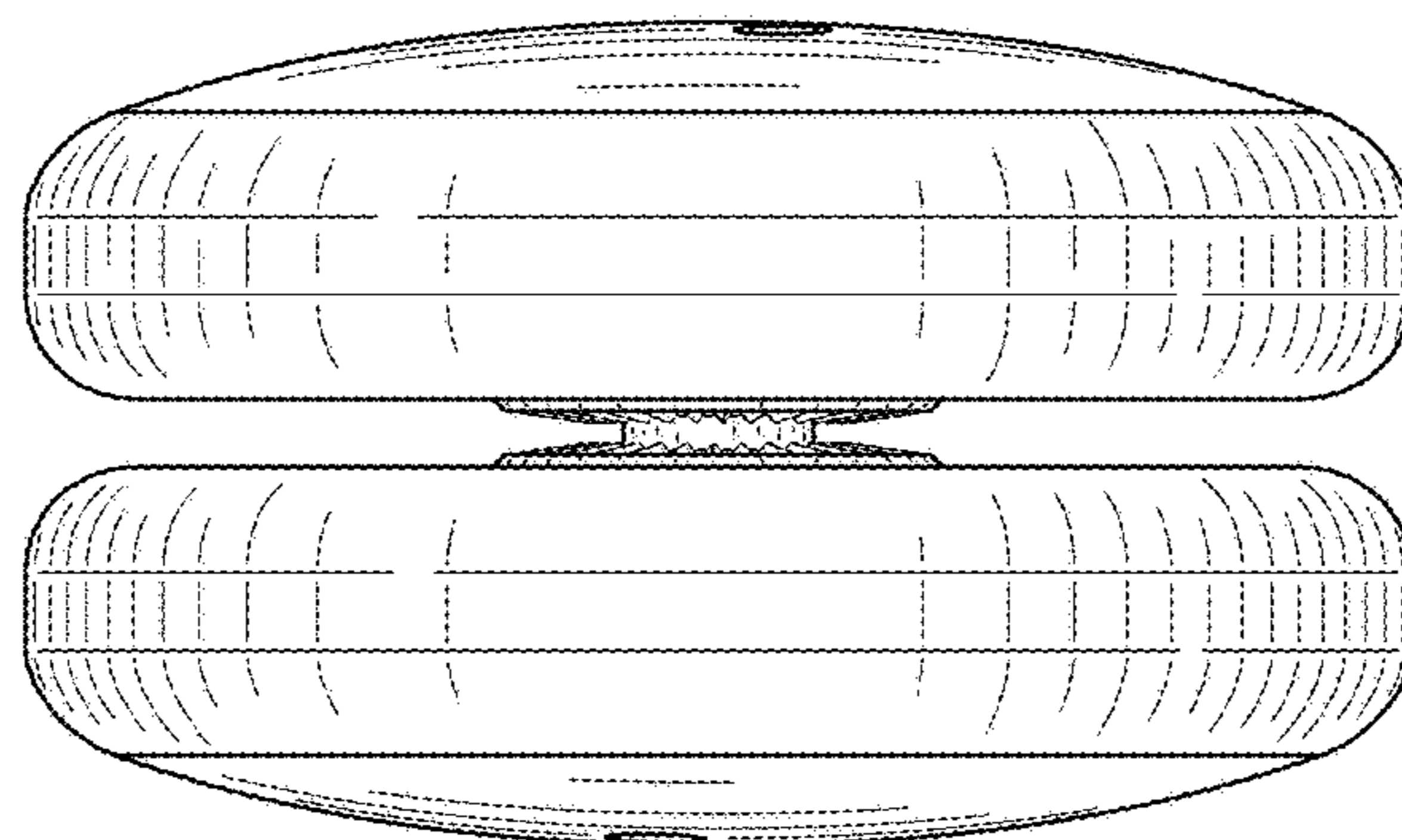


FIG. 7