



US00D843490S

(12) **United States Design Patent**
Kelemen et al.

(10) **Patent No.:** **US D843,490 S**
(45) **Date of Patent:** **** Mar. 19, 2019**

(54) **LAUNCHING APPARATUS FOR SPINNING TOP TOY**

(71) Applicant: **TOMY COMPANY, LTD.**, Tokyo (JP)

(72) Inventors: **Kevin Kelemen**, Portland, OR (US);
Luke Lohan, Abington, MA (US); **Max Sackett**, Warwick, RI (US)

(73) Assignee: **TOMY COMPANY, LTD.**, Tokyo (JP)

(**) Term: **15 Years**

(21) Appl. No.: **29/632,140**

(22) Filed: **Jan. 5, 2018**

(51) **LOC (11) Cl.** **21-01**

(52) **U.S. Cl.**
USPC **D21/461**; D14/252; D14/457

(58) **Field of Classification Search**
USPC D21/454, 455-464, 561, 566, 570, 398,
D21/468, 475, 483, 484, 493, 513, 517,
D21/519-523, 532, 579-584, 333, 385,
D21/392, 393; D14/447, 251, 252, 253;
D6/610, 672, 673, 676, 676.2, 676.4, 682,
D6/682.3, 682.4, 512; D13/108, 118;
446/38-45, 236-266, 429, 430, 462, 489,
446/71, 73, 75, 77, 94, 99, 102, 104,
446/424-426, 487; 248/558, 441.1, 447,
248/460-465, 917-924
CPC . A63H 1/00-1/06; A63H 1/12; A63H 17/008;
A63H 27/14; A63H 29/00; A63H 29/20;
A63H 29/24; A63H 31/06; A63H 31/08;
A63F 9/16; A63F 9/001; A63F

(Continued)

(56) **References Cited**

U.S. PATENT DOCUMENTS

458,483 A * 8/1891 Phipps A63H 1/02
446/260
D161,581 S * 1/1951 Greene 446/260
(Continued)

FOREIGN PATENT DOCUMENTS

CN 300825363 * 9/2008
CN 300839704 * 10/2008

(Continued)

Primary Examiner — Catherine A Tuttle

(74) *Attorney, Agent, or Firm* — Staas & Halsey LLP

(57) **CLAIM**

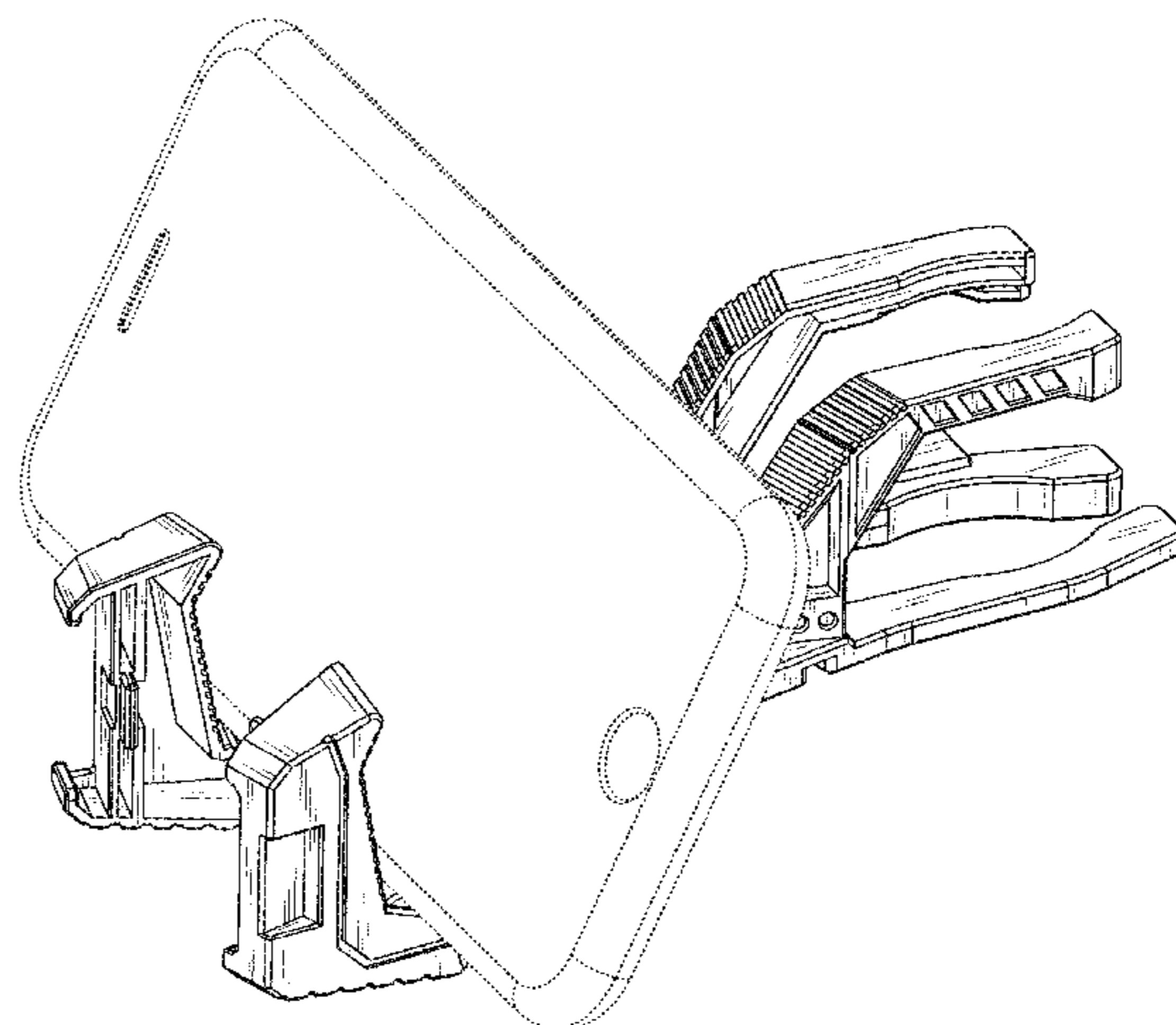
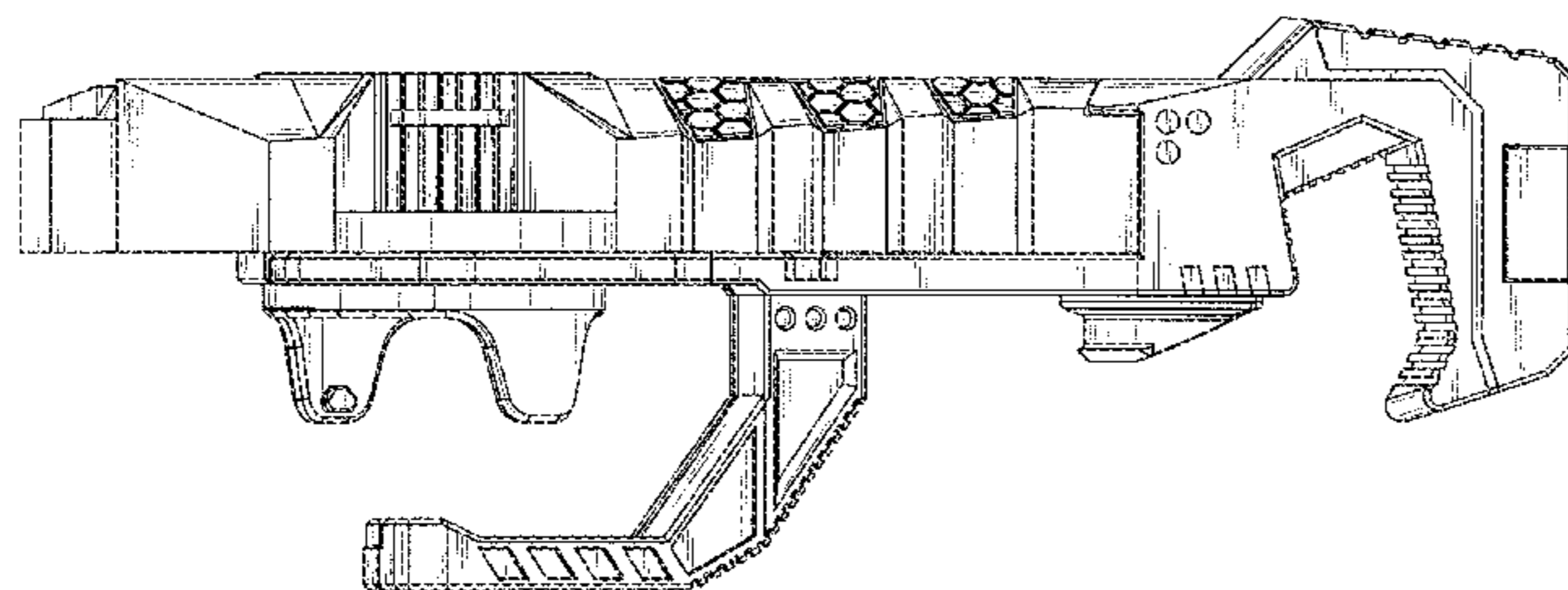
The ornamental design for a launching apparatus for spinning top toy, as shown and described.

DESCRIPTION

FIG. 1 is a front top and right perspective view showing out new design for a launching apparatus for spinning top; FIG. 2 is a left side view thereof; FIG. 3 is a rear view thereof; FIG. 4 is a right side view thereof; FIG. 5 is a top view thereof; FIG. 6 is a bottom view thereof; FIG. 7 is a perspective view thereof; FIG. 8 is a front top and right perspective view; showing the design in a disassembled state; FIG. 9 is a rear, bottom and left perspective view; showing the design in a disassembled state; FIG. 10 is a front top and left perspective view showing the design with a spinning top toy attached thereto; FIG. 11 is an inverted right, bottom and front perspective view showing the handle portion of the design in an alternate configuration and supporting a smartphone; and, FIG. 12 is a perspective view as in FIG. 11, but shown without the smartphone.

The broken lines showing the spinning top toy in FIG. 10 and the smartphone in FIG. 11 are for illustrative purposes only and form no part of the claimed design.

1 Claim, 12 Drawing Sheets



(58) **Field of Classification Search**

CPC 2009/0012; A63F 2009/0033; A63F
2009/0035; A63F 2009/0049; A47B
97/04; A47B 2097/006; F16M 11/00;
F16M 11/38; F16M 13/00; F16M 13/06
See application file for complete search history.

(56) **References Cited**

U.S. PATENT DOCUMENTS

D162,408 S * 3/1951 Hartman 124/17
D199,536 S * 11/1964 Salayka D21/461
4,673,373 A * 6/1987 Herring A63H 3/46
16/327
D610,211 S * 2/2010 Nishimoto D21/461
D659,203 S * 5/2012 Greiner D21/454
D749,344 S * 2/2016 Belitz D6/682.3
9,435,820 B1 * 9/2016 Muraki G01P 3/486
D771,754 S * 11/2016 Stack D21/570
D790,635 S * 6/2017 Horikoshi D21/461
D816,781 S * 5/2018 Horikoshi D21/461
D825,677 S * 8/2018 Kitamura D21/461
D827,652 S * 9/2018 Jacques D14/447
2006/0099880 A1 * 5/2006 Laurienzo A63H 17/006
446/247

2009/0253504 A1* 10/2009 Nishimoto A63F 9/16
463/31
2013/0026112 A1* 1/2013 Ting H04R 1/026
211/26
2013/0078885 A1* 3/2013 Hudson F16M 7/08
446/236
2013/0256497 A1* 10/2013 Radmard F16M 11/00
248/558
2014/0057526 A1* 2/2014 Sheltman A63H 17/26
446/429
2017/0032773 A1* 2/2017 Smith, IV G10G 5/00
2017/0114948 A1* 4/2017 Zheng F16M 11/40
2017/0239558 A1* 8/2017 Shindo A63H 1/00
2018/0238488 A1* 8/2018 Dillon F16M 11/38

FOREIGN PATENT DOCUMENTS

CN 300846725 * 11/2008
CN 302243715 * 12/2012
CN 302717048 * 1/2014
CN 303950983 * 11/2016
CN 303960465 * 12/2016
EP 0659456 A2 * 6/1995 A63H 1/02
JP 3164823 U * 12/2010 A63H 1/12
KR 300470885.0000 * 11/2007
WO D101352-002 * 6/2018

* cited by examiner

FIG.1

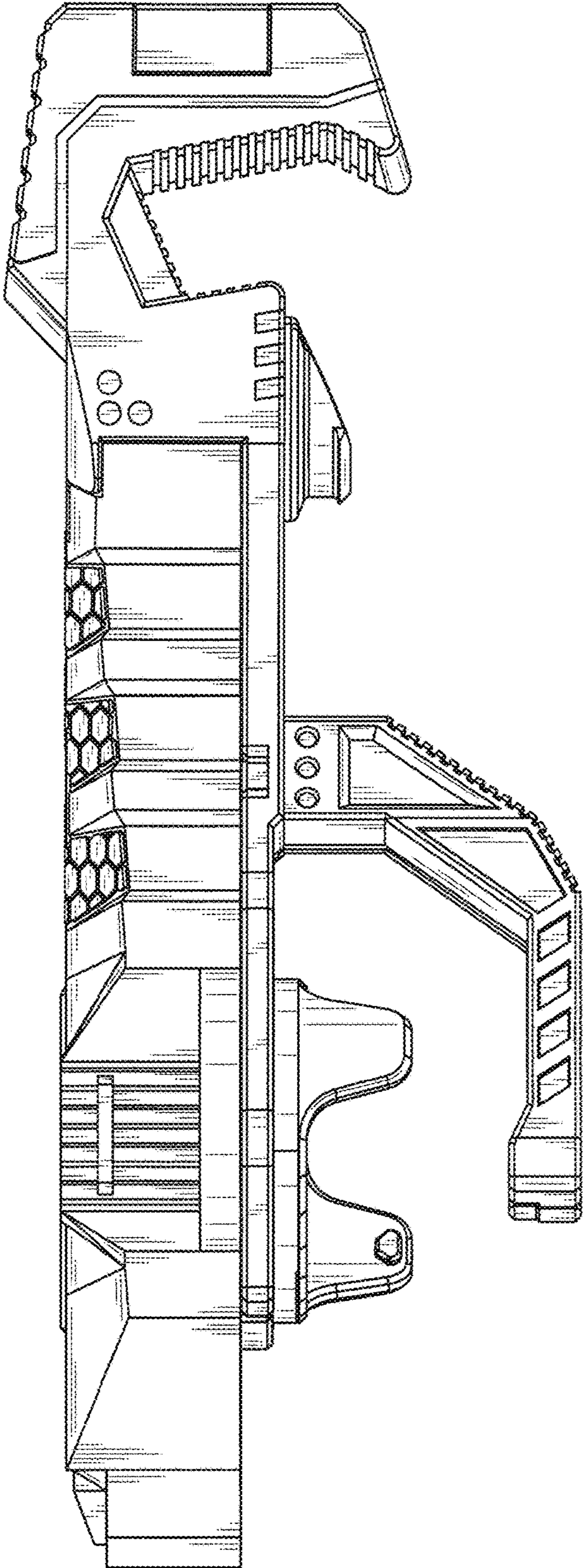


FIG.2

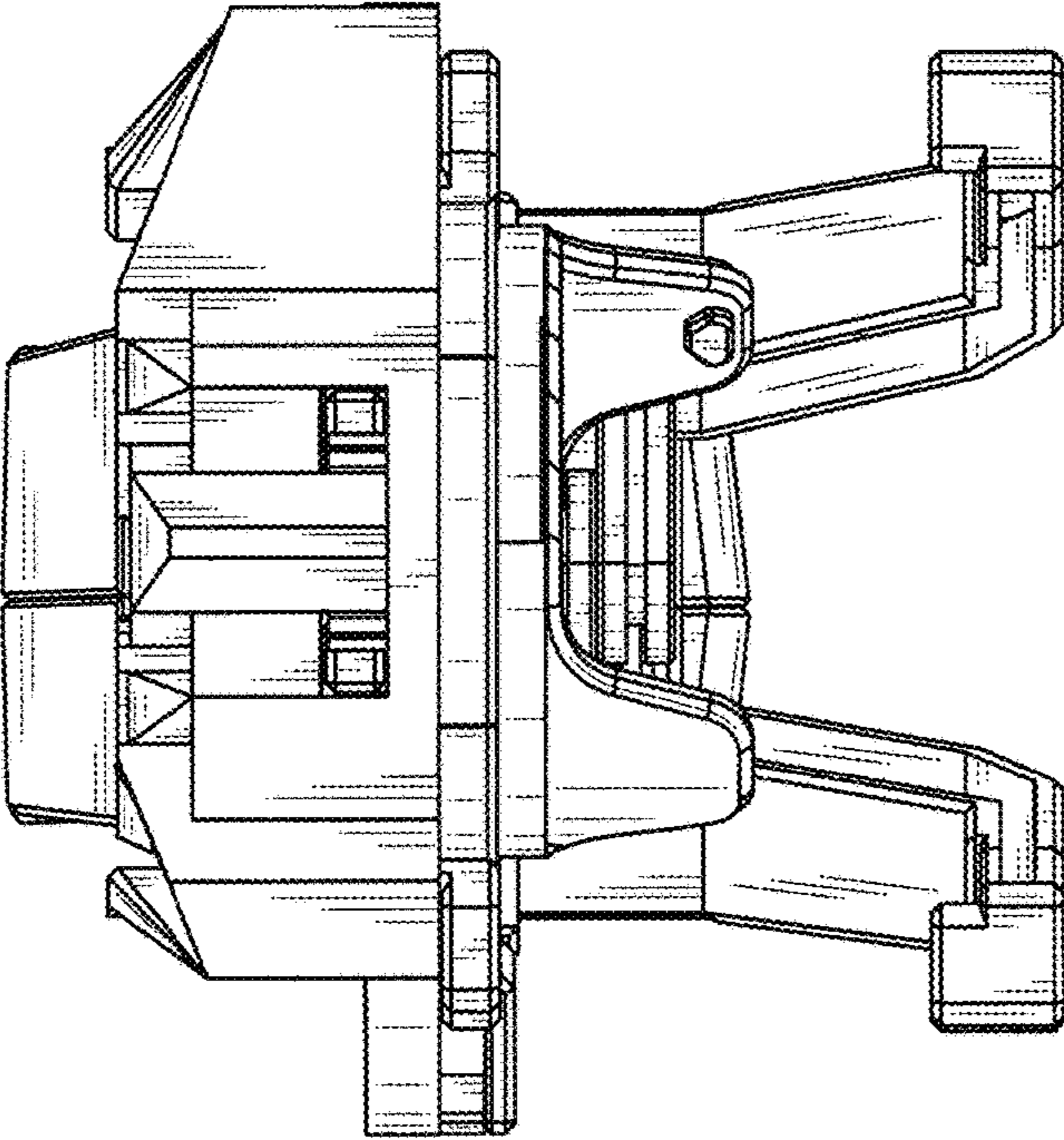


FIG.3

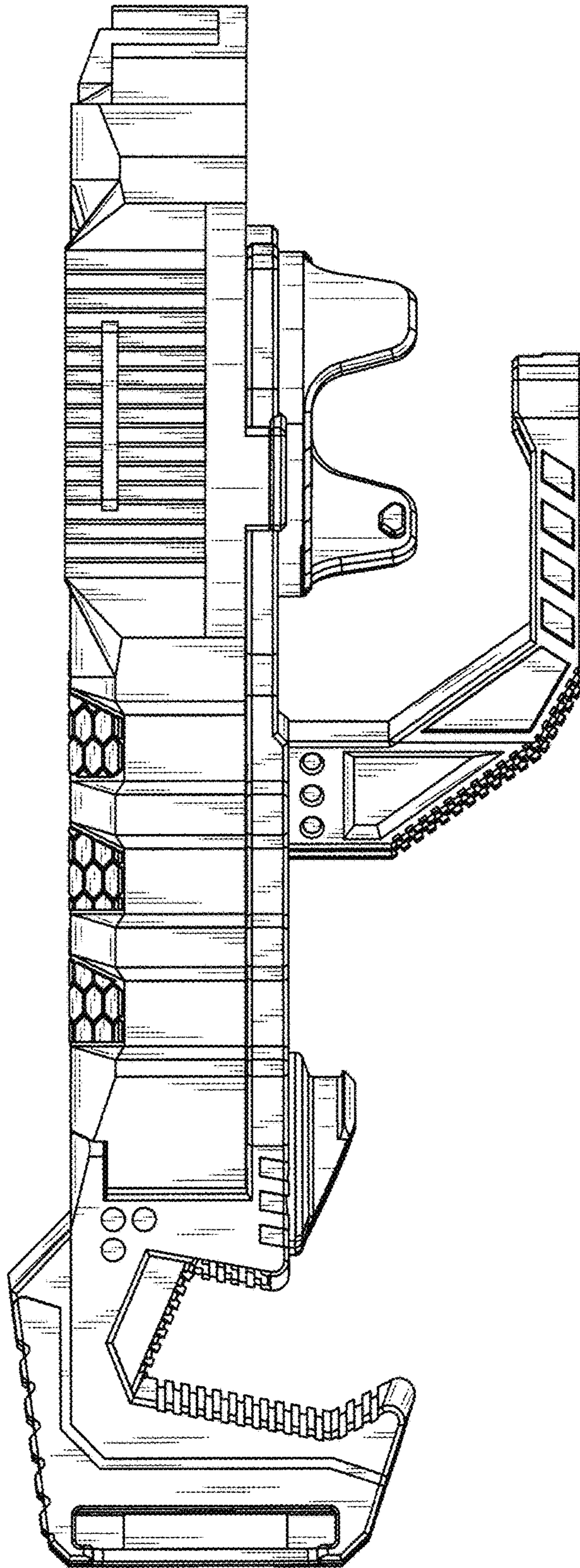


FIG.4

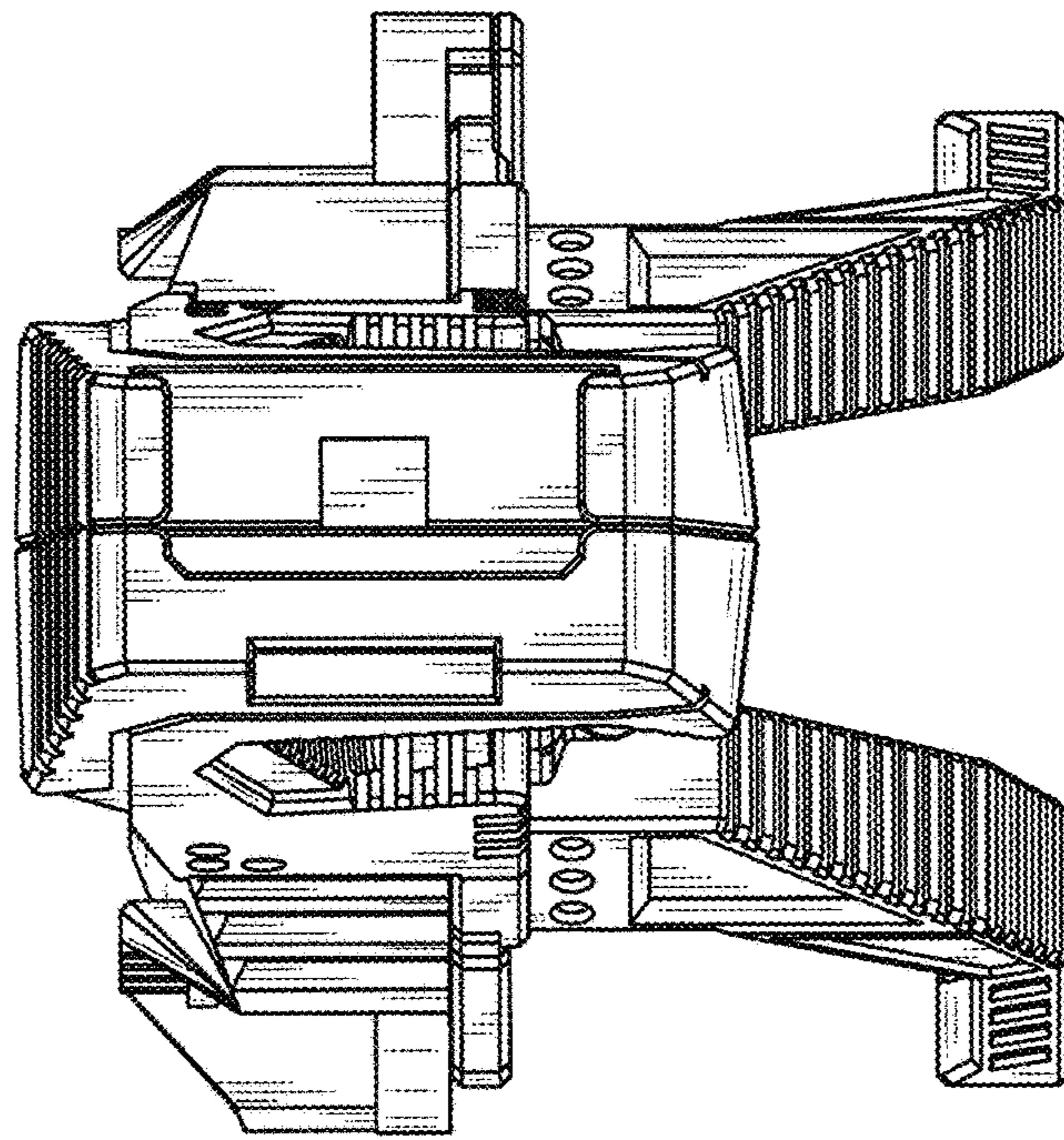


FIG.5

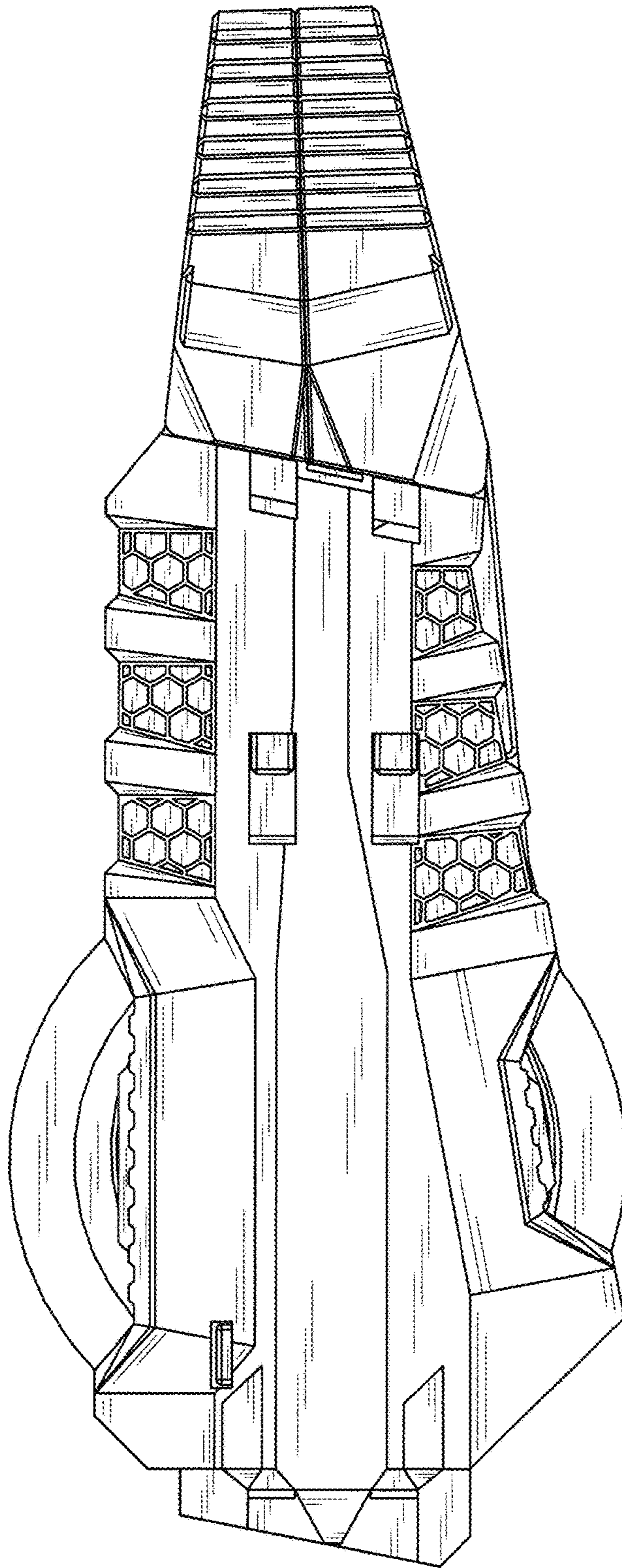


FIG.6

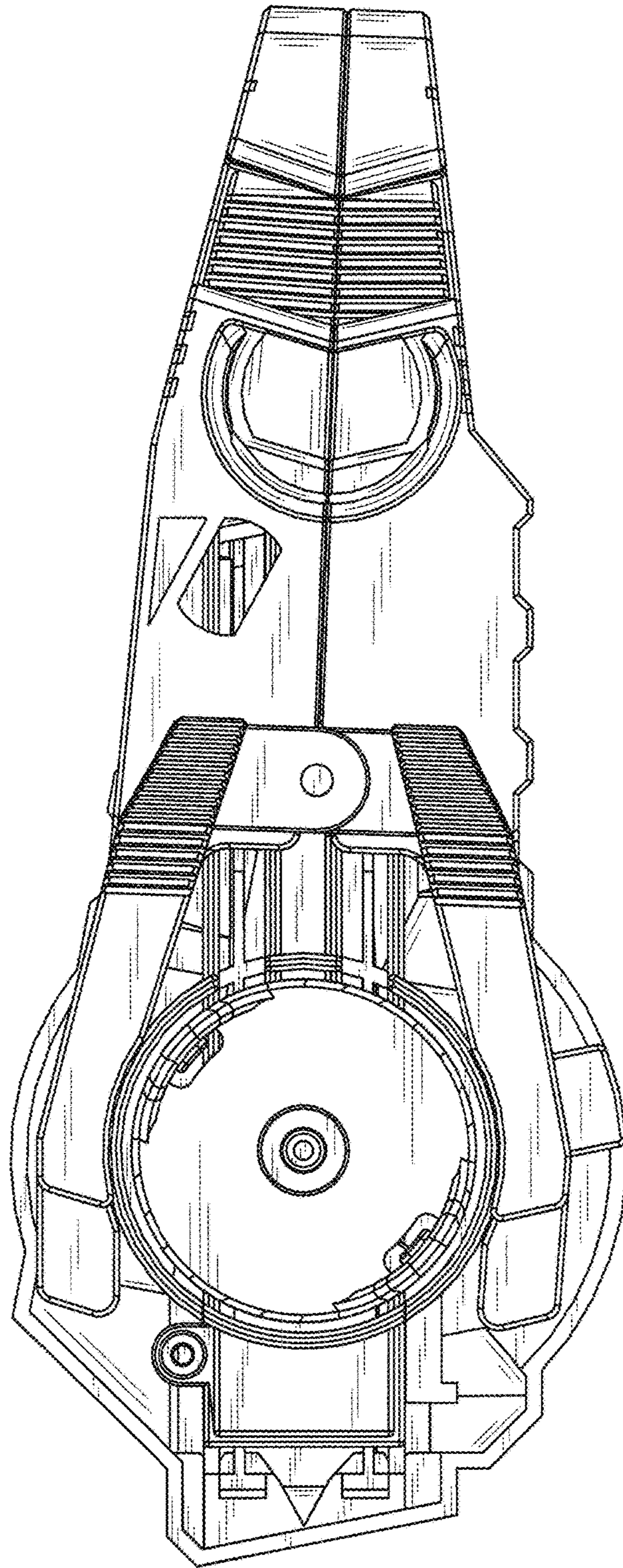


FIG. 7

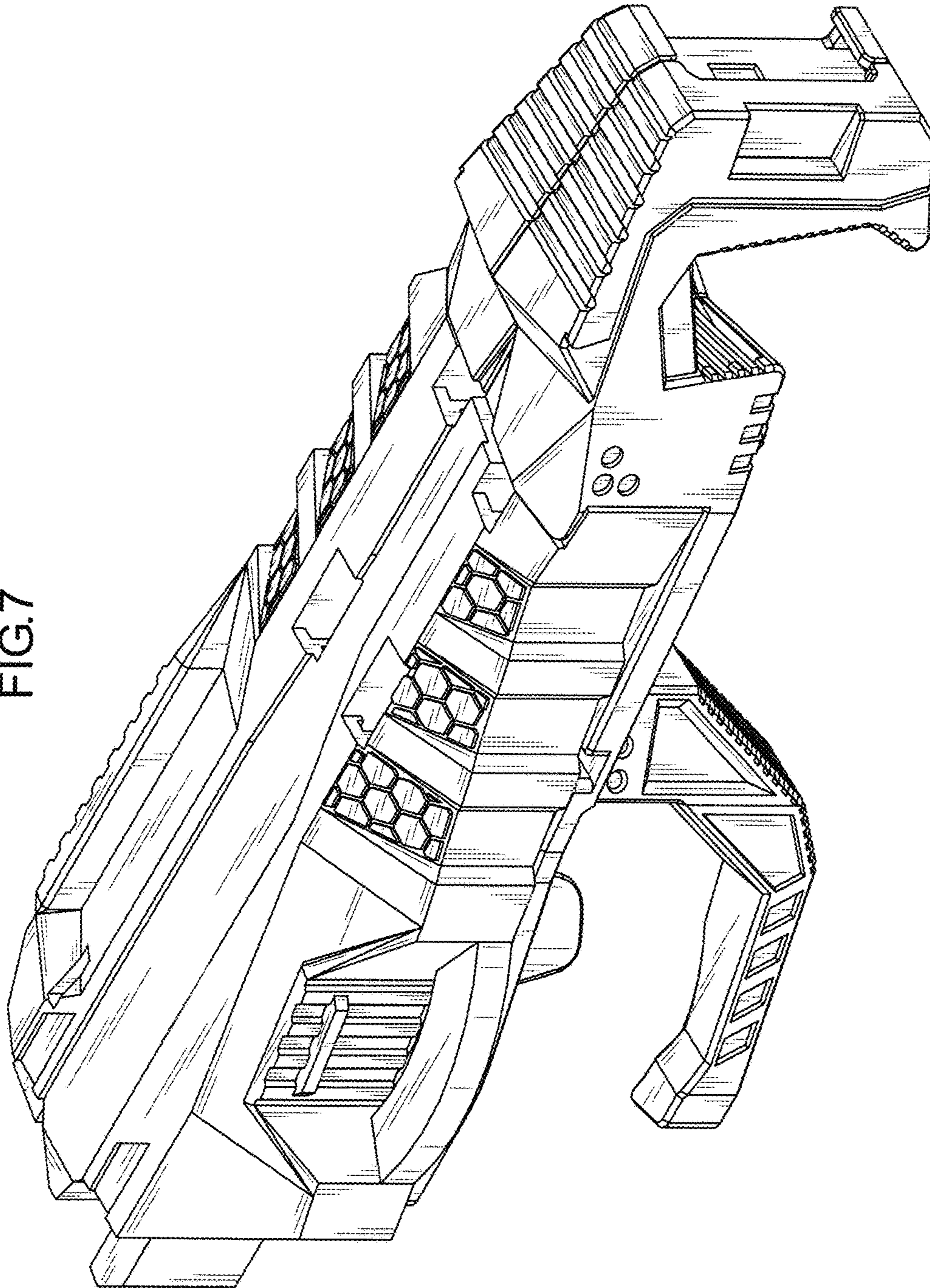


FIG.8

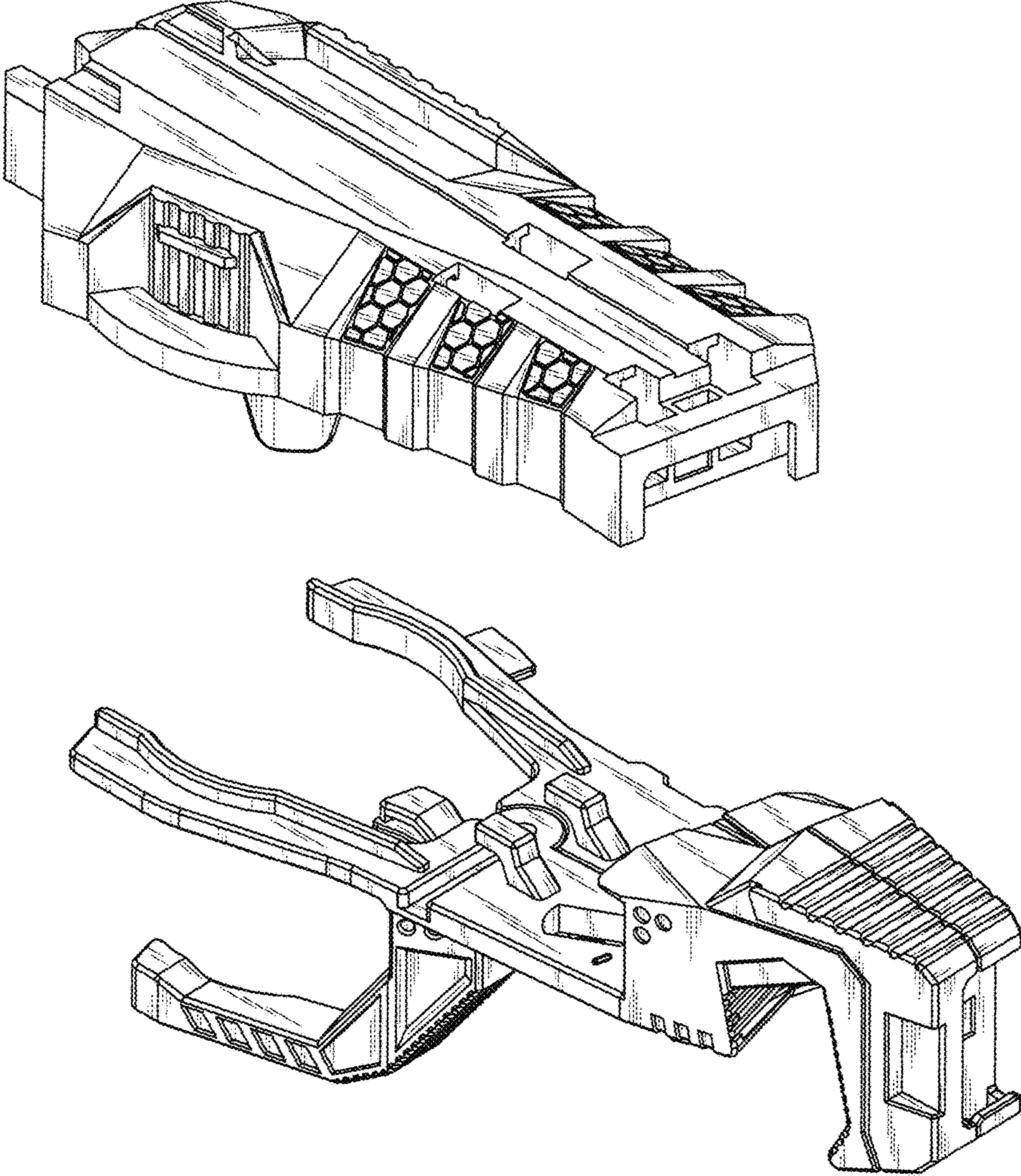


FIG.9

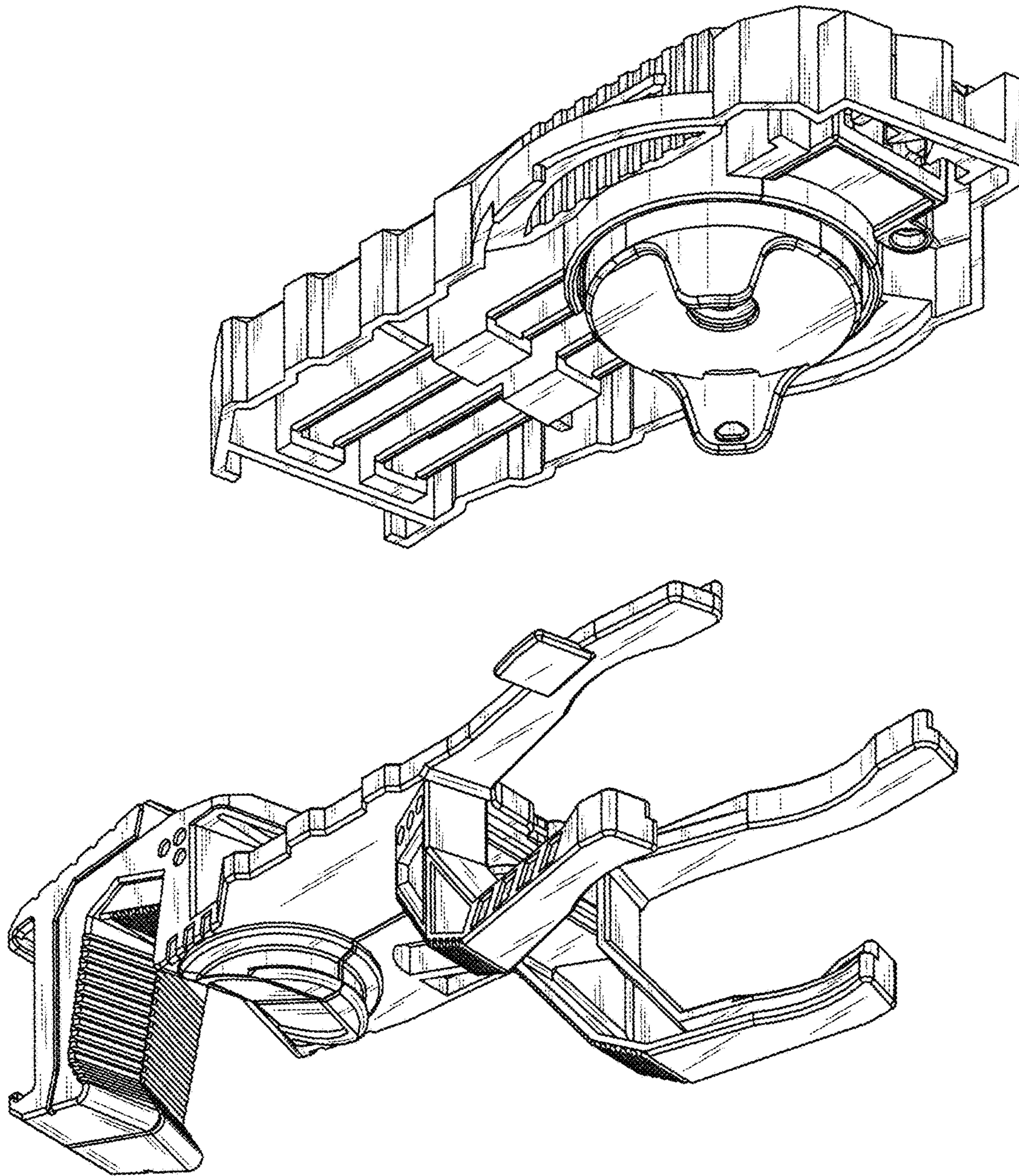
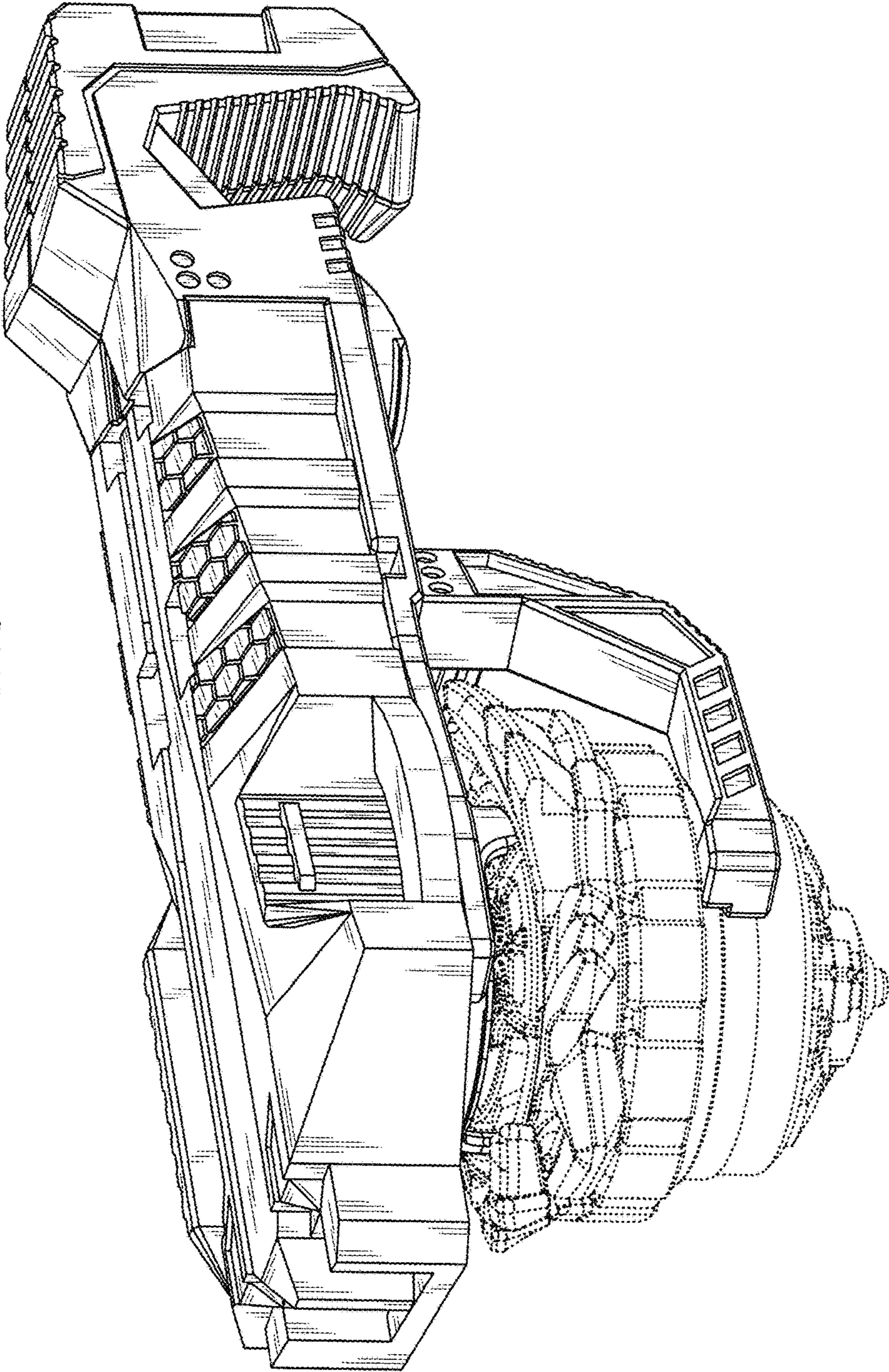


FIG.10



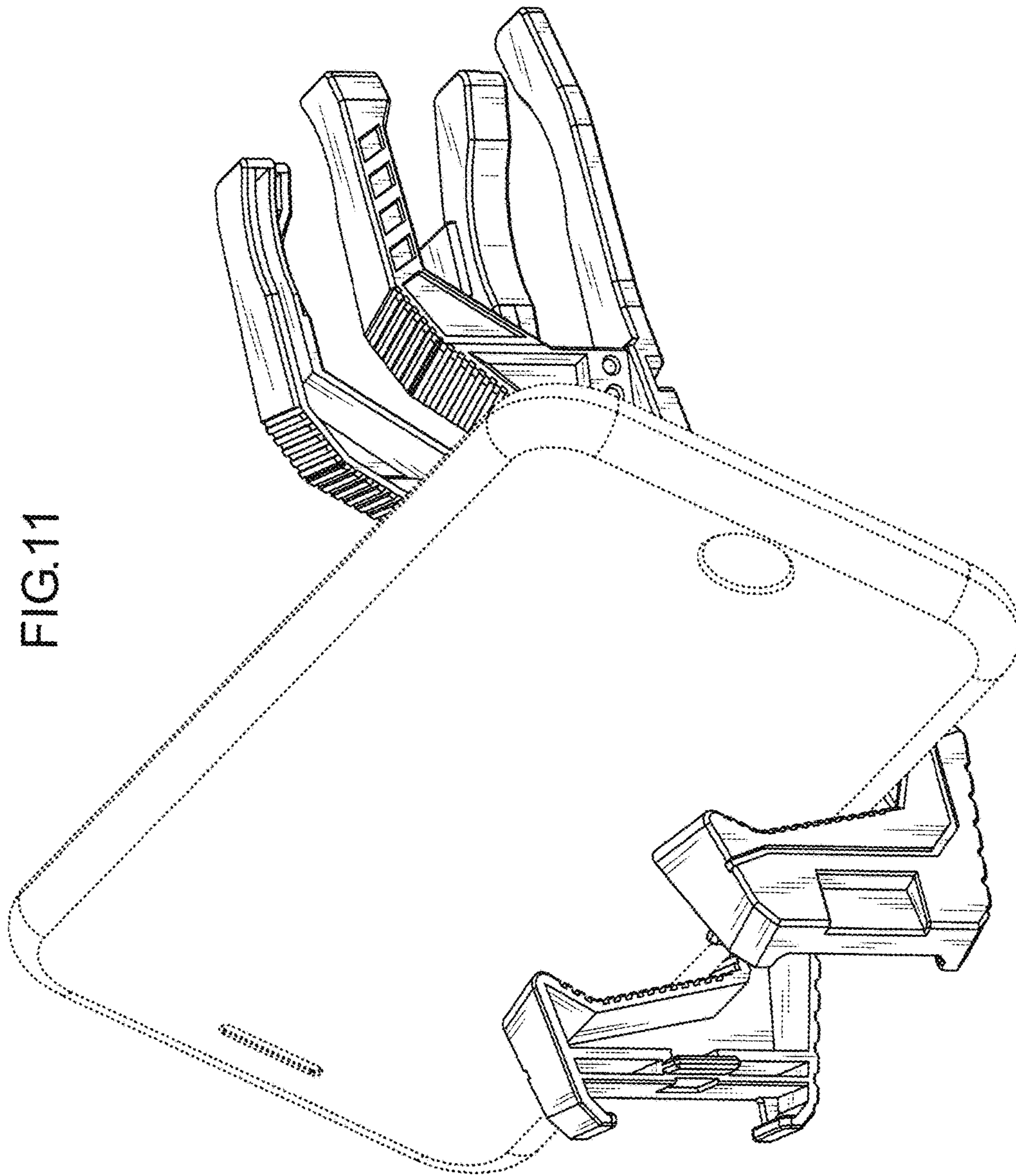


FIG.12

