

US00D843489S

(12) **United States Design Patent**  
**Horikoshi et al.**

(10) **Patent No.:** **US D843,489 S**  
(45) **Date of Patent:** **\*\* Mar. 19, 2019**

(54) **SPINNING TOP TOY**

**DESCRIPTION**

(71) Applicant: **TOMY COMPANY, LTD.**, Tokyo (JP)

(72) Inventors: **Kenji Horikoshi**, Tokyo (JP); **Makoto Muraki**, Tokyo (JP)

(73) Assignee: **TOMY COMPANY, LTD.**, Tokyo (JP)

(\*\*) Term: **15 Years**

(21) Appl. No.: **29/505,897**

(22) Filed: **Mar. 31, 2016**

(30) **Foreign Application Priority Data**

Dec. 21, 2015 (JP) ..... 2015-028366

(51) **LOC (11) Cl.** ..... **21-01**

(52) **U.S. Cl.**  
USPC ..... **D21/460**

(58) **Field of Classification Search**  
USPC ..... D21/436, 441, 443, 444, 455, 460-464;  
446/236-266

(Continued)

(56) **References Cited**

**U.S. PATENT DOCUMENTS**

6,746,300 B1 \* 6/2004 Matsukawa ..... A63H 1/06  
446/256

D610,209 S \* 2/2010 Nishimoto ..... D21/460

(Continued)

**FOREIGN PATENT DOCUMENTS**

CN 3262743 \* 11/2002

CN 3262744 \* 11/2002

(Continued)

*Primary Examiner* — Catherine A Tuttle

(74) *Attorney, Agent, or Firm* — Staas & Halsey LLP

(57) **CLAIM**

The ornamental design for a spinning top toy, as shown and described.

FIG. 1 is a front view of the spinning top toy showing our design;

FIG. 2 is a left side view thereof;

FIG. 3 is a rear view thereof;

FIG. 4 is right side view thereof;

FIG. 5 is a top view thereof;

FIG. 6 is a bottom view thereof;

FIG. 7 is a perspective view thereof;

FIG. 8 is a front elevational view of the transparent portion of the design shown in isolation for clarity of disclosure;

FIG. 9 is a top plan view of the top surface of the transparent portion shown in isolation for clarity of disclosure.

FIG. 10 is a front view of the spinning top toy, corresponding to FIG. 1 but showing contour shading to the exterior parts and with the interior parts omitted;

FIG. 11 is a left side view thereof corresponding to FIG. 2 but showing contour shading to the exterior parts and with the interior parts omitted;

FIG. 12 is a rear view thereof corresponding to FIG. 3 but showing contour shading to the exterior parts and with the interior parts omitted;

FIG. 13 is right side view thereof corresponding to FIG. 4 but showing contour shading to the exterior parts and with the interior parts omitted;

FIG. 14 is a top view thereof corresponding to FIG. 5 but showing contour shading to the exterior parts and with the interior parts omitted;

FIG. 15 is a bottom view thereof corresponding to FIG. 6 but showing contour shading to the exterior parts and with the interior parts omitted;

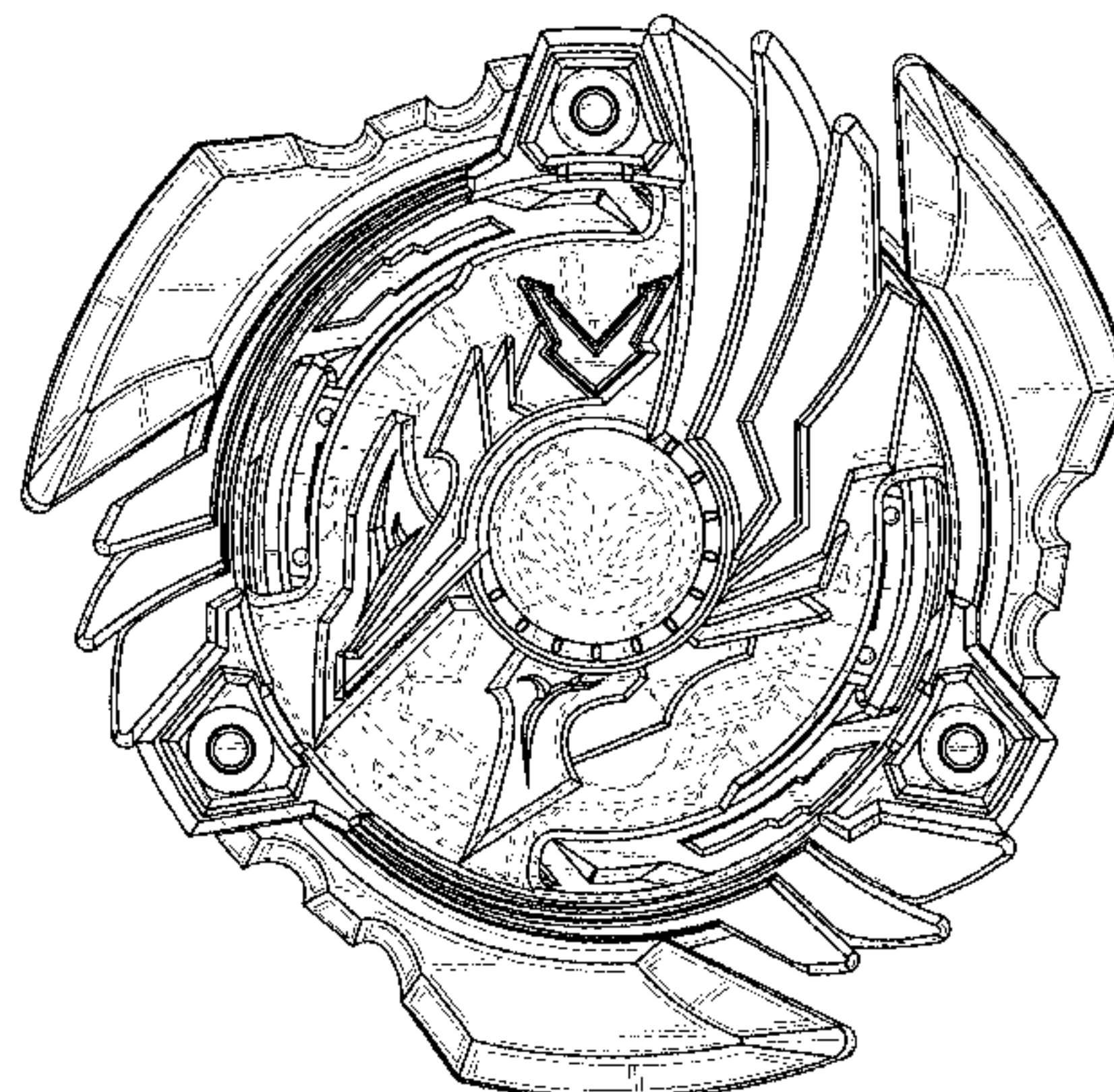
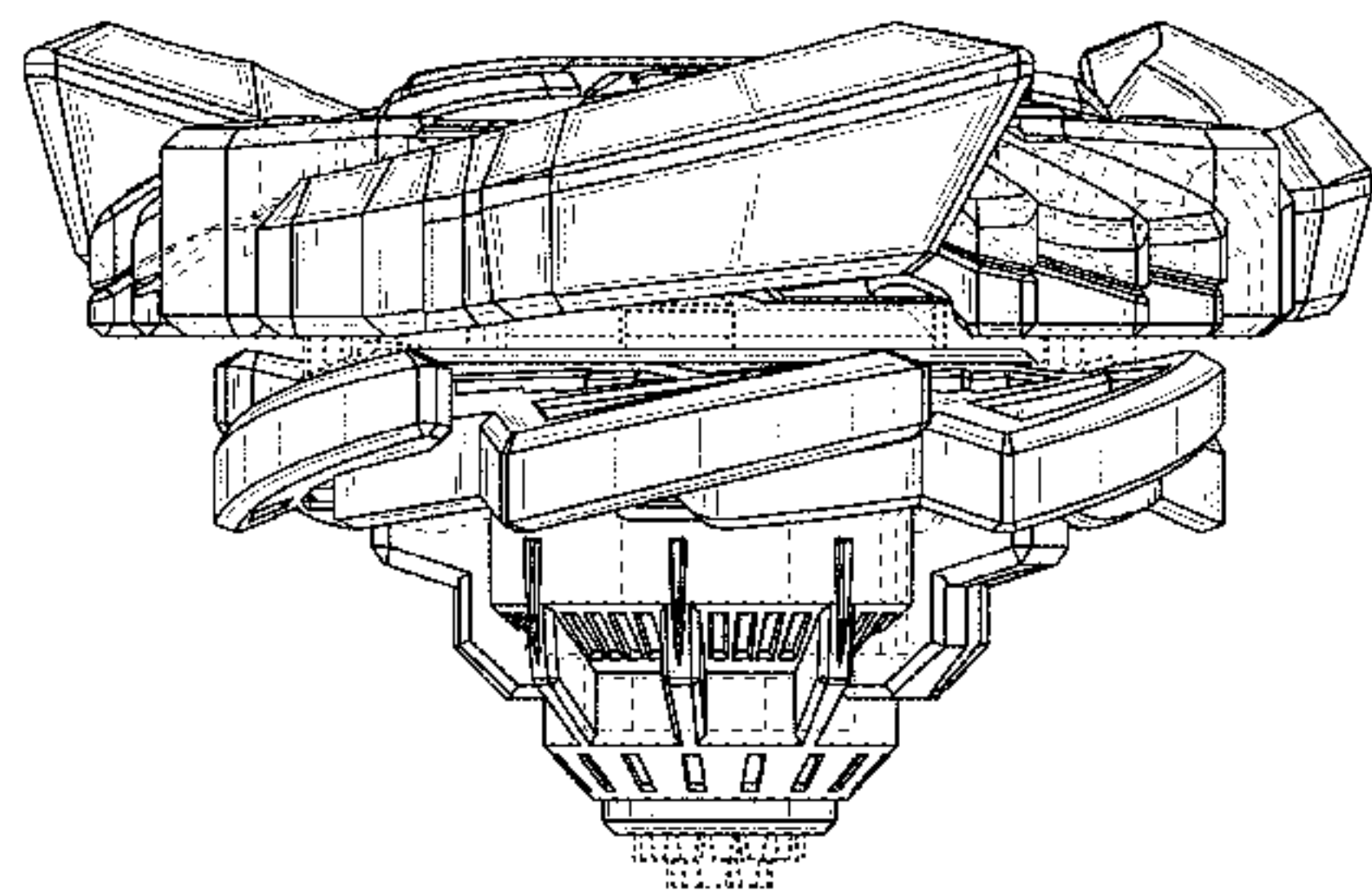
FIG. 16 is a perspective view thereof corresponding to FIG. 7 but showing contour shading to the exterior parts and with the interior parts omitted;

FIG. 17 is a front elevational view thereof corresponding to FIG. 8, but showing contour shading; and,

FIG. 18 is a top plan view thereof corresponding to FIG. 9, but showing contour shading.

The portions of the spinning top toy shown in broken lines form no part of the claimed design.

**1 Claim, 18 Drawing Sheets**



(58) **Field of Classification Search**  
 CPC ..... A63H 1/00-1/32; A63F 9/16  
 See application file for complete search history.

2003/0064660 A1\* 4/2003 Matsukawa ..... A63F 3/00895  
 446/256  
 2009/0253344 A1\* 10/2009 Ujita ..... A63H 1/02  
 446/256  
 2010/0159798 A1\* 6/2010 Bertrand ..... A63H 1/02  
 446/259  
 2011/0306269 A1\* 12/2011 Horikoshi ..... A63H 1/12  
 446/261

(56) **References Cited**

U.S. PATENT DOCUMENTS

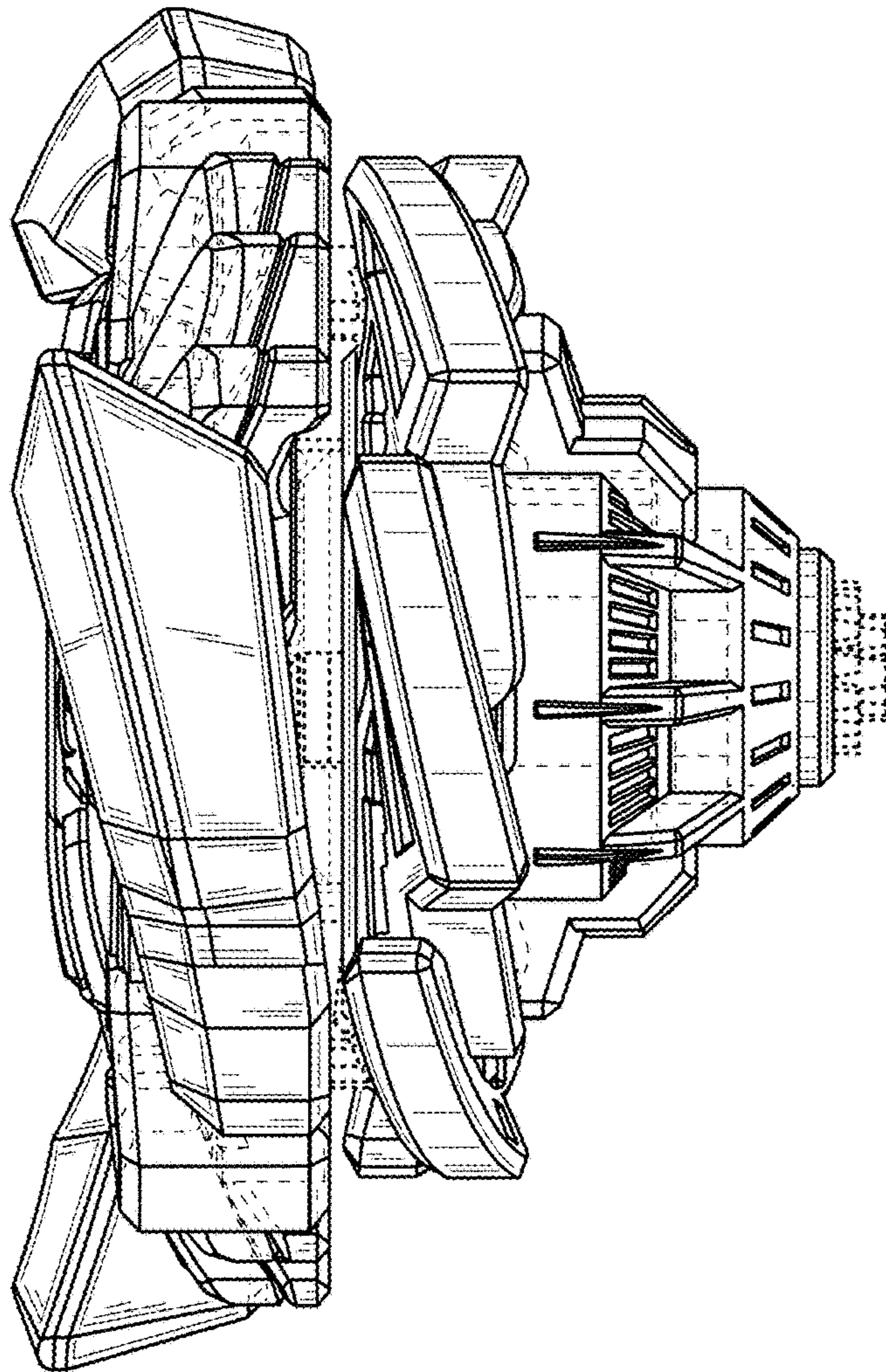
D614,245 S \* 4/2010 Ujita ..... D21/460  
 D629,469 S \* 12/2010 Nishimoto ..... D21/460  
 D629,847 S \* 12/2010 Ujita ..... D21/460  
 D629,848 S \* 12/2010 Ujita ..... D21/460  
 D639,348 S \* 6/2011 Ujita ..... D21/460  
 D639,869 S \* 6/2011 Nishimoto ..... D21/460  
 D662,556 S \* 6/2012 Horikoshi ..... D21/460  
 D666,252 S \* 8/2012 Ujita ..... D21/460  
 D666,253 S \* 8/2012 Ujita ..... D21/460  
 D667,894 S \* 9/2012 Horikoshi ..... D21/460  
 9,737,821 B1 \* 8/2017 Horikoshi ..... A63H 1/18  
 2002/0102907 A1 \* 8/2002 Osawa ..... A63H 1/00  
 446/256

FOREIGN PATENT DOCUMENTS

CN 3584728 \* 11/2006  
 CN 300687773 \* 9/2007  
 CN 300846669 \* 11/2008  
 CN 301433558 \* 1/2011  
 CN 302021519 \* 8/2012  
 CN 303359339 \* 9/2015  
 CN 303467759 \* 11/2015  
 JP 3160657 U \* 7/2010 ..... A63H 1/00  
 WO WO-2010151017 A2 \* 12/2010 ..... A63H 1/02

\* cited by examiner





**FIG. 1**

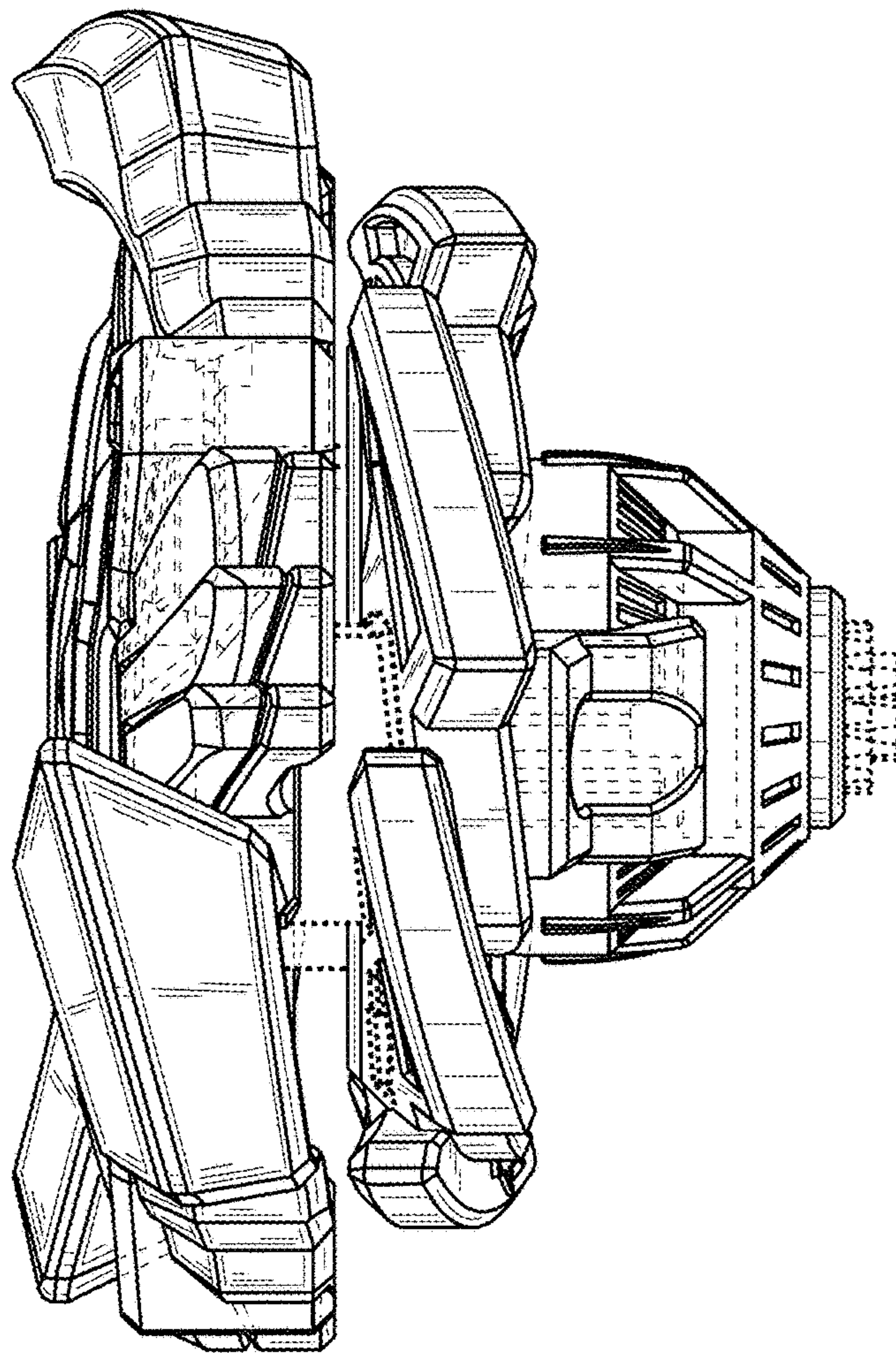


FIG. 2

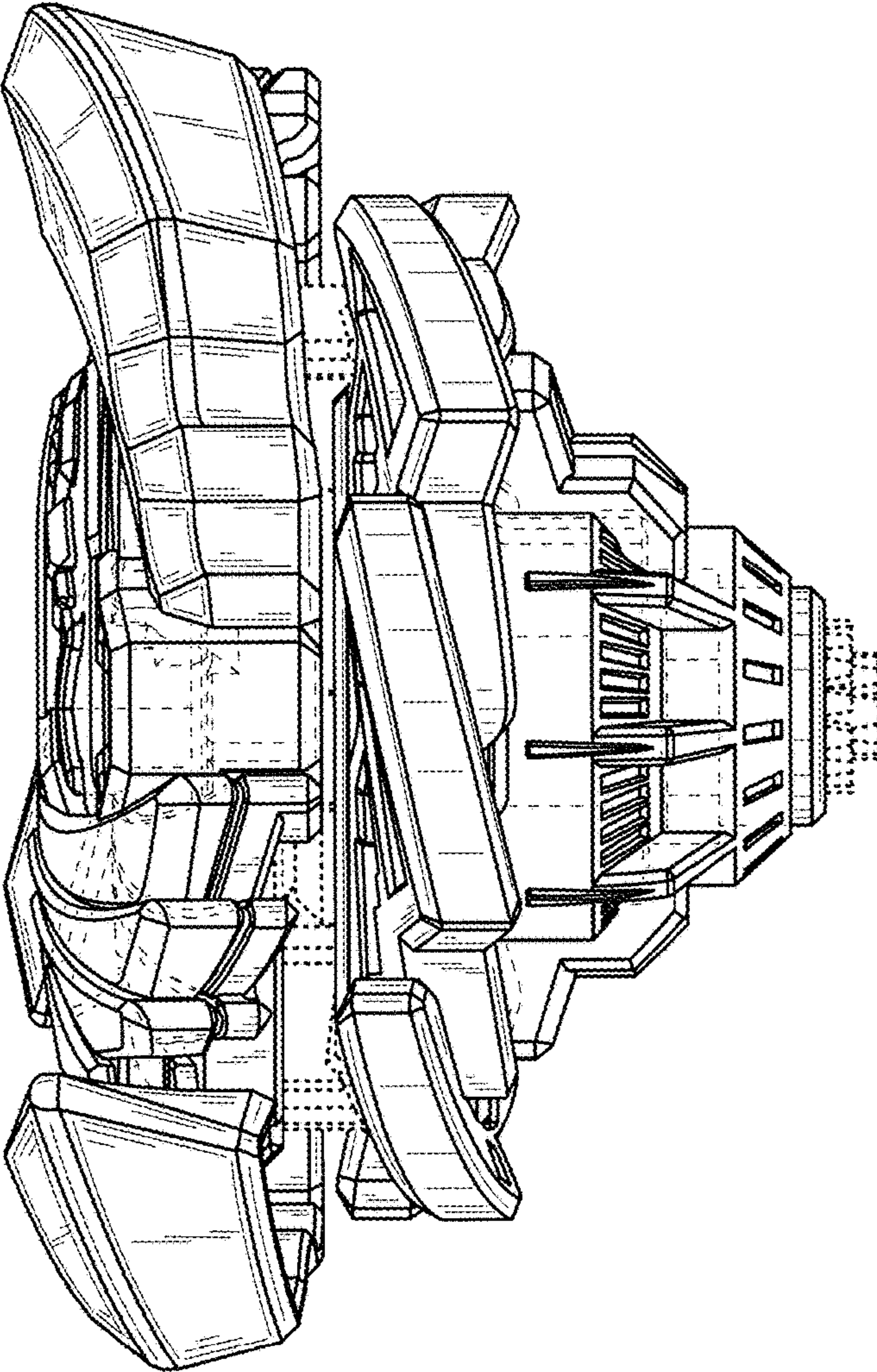


FIG. 3



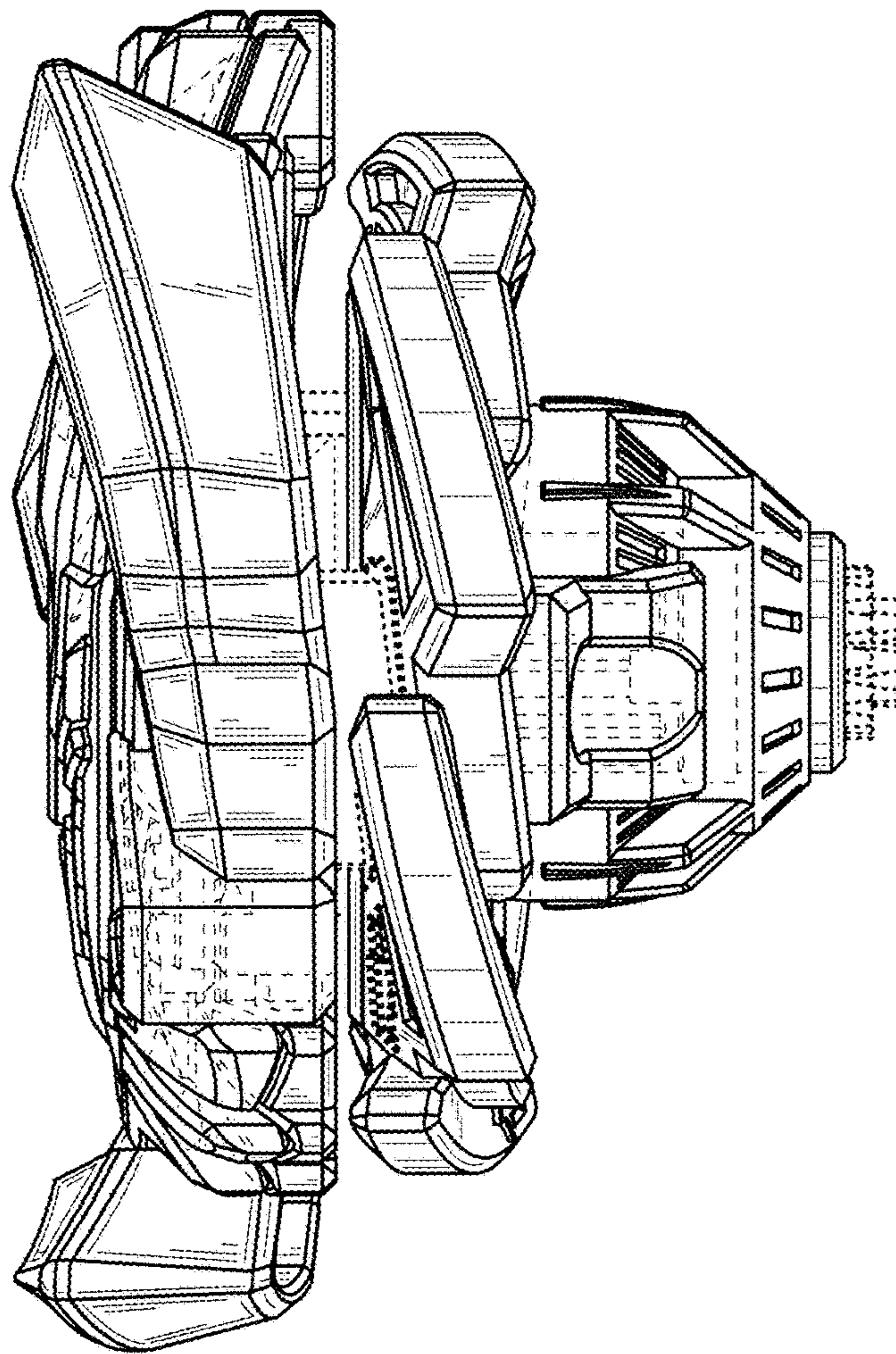


FIG. 4

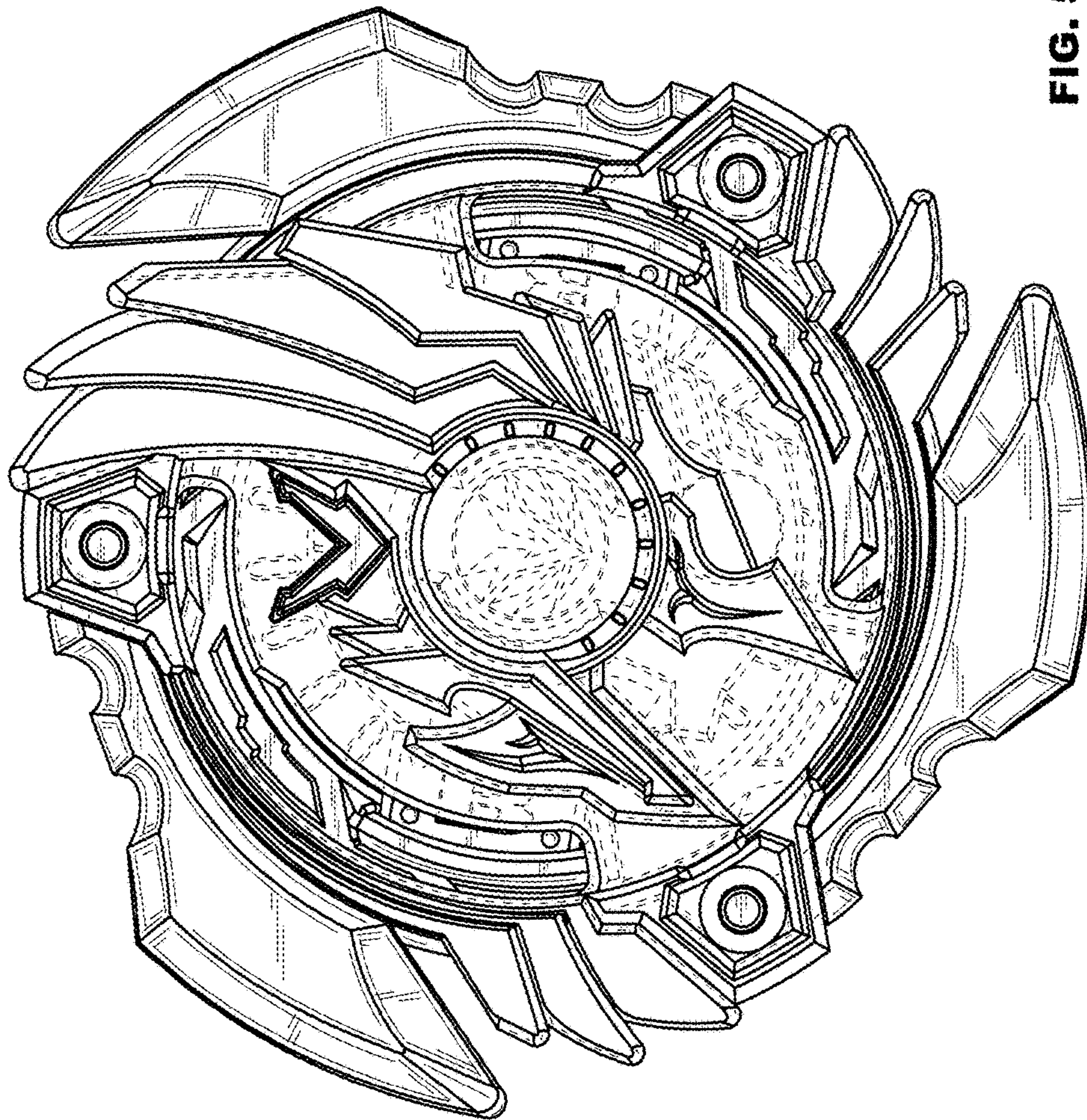


FIG. 5



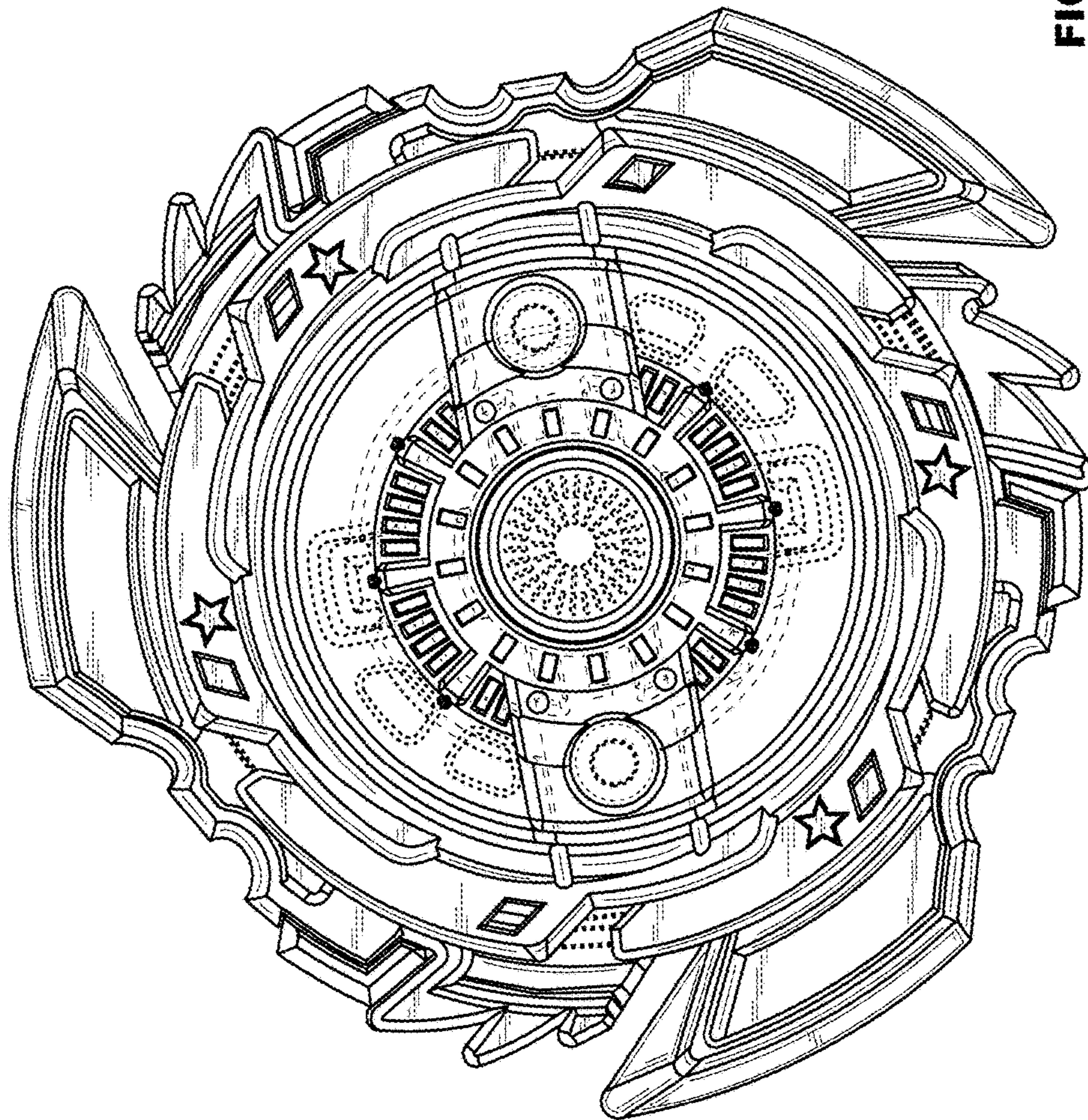


FIG. 6



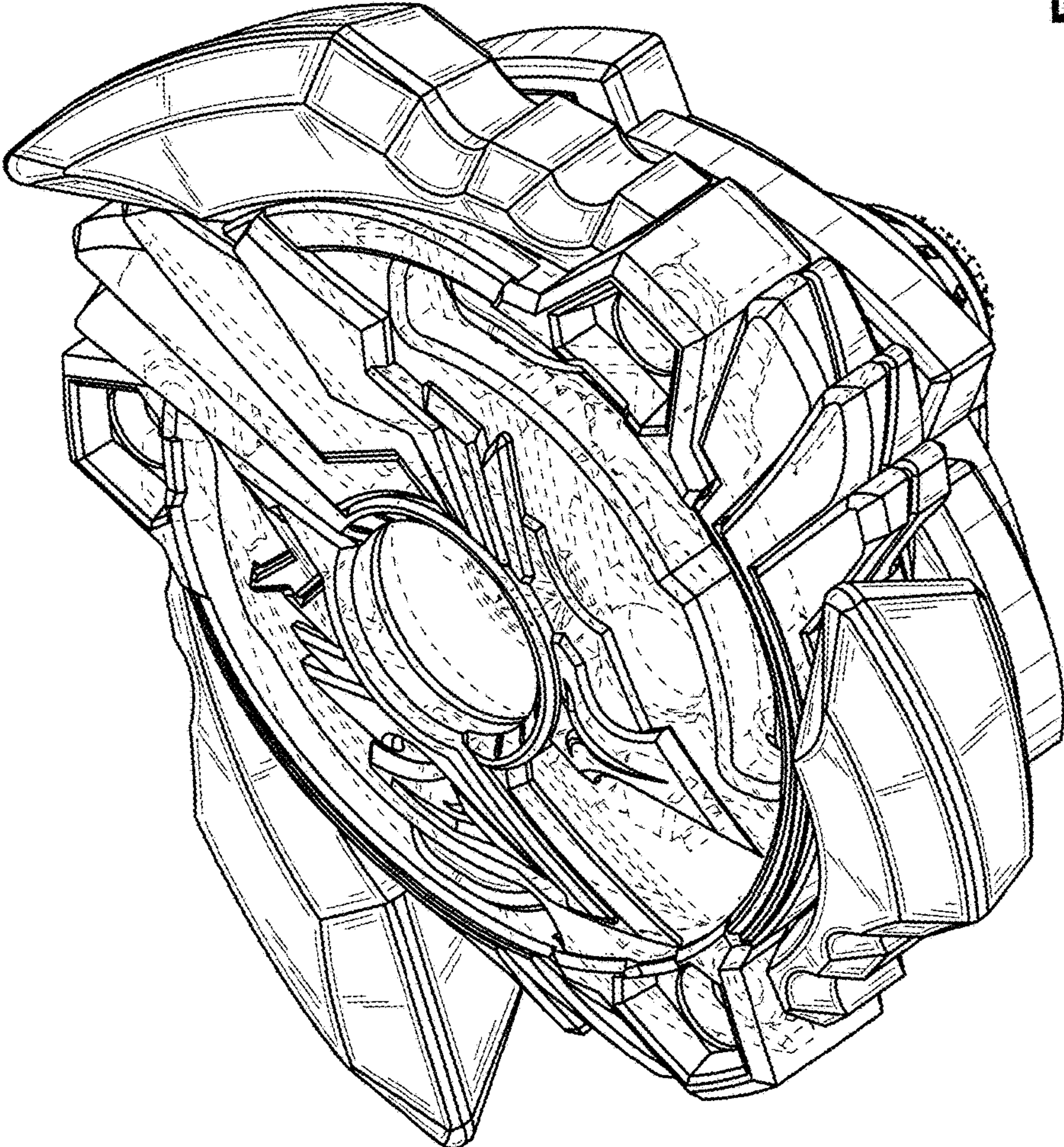
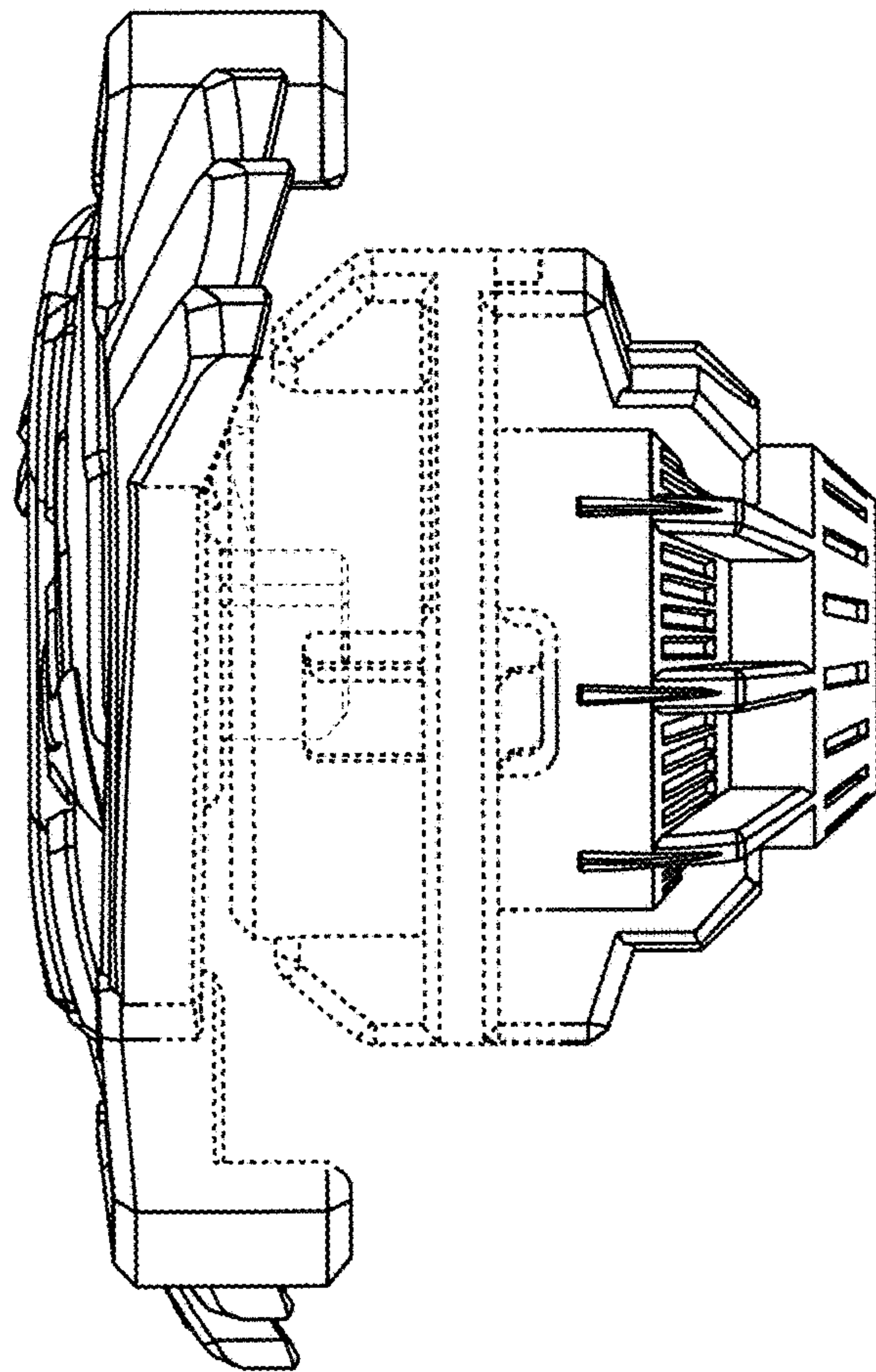


FIG. 7



**FIG. 8**



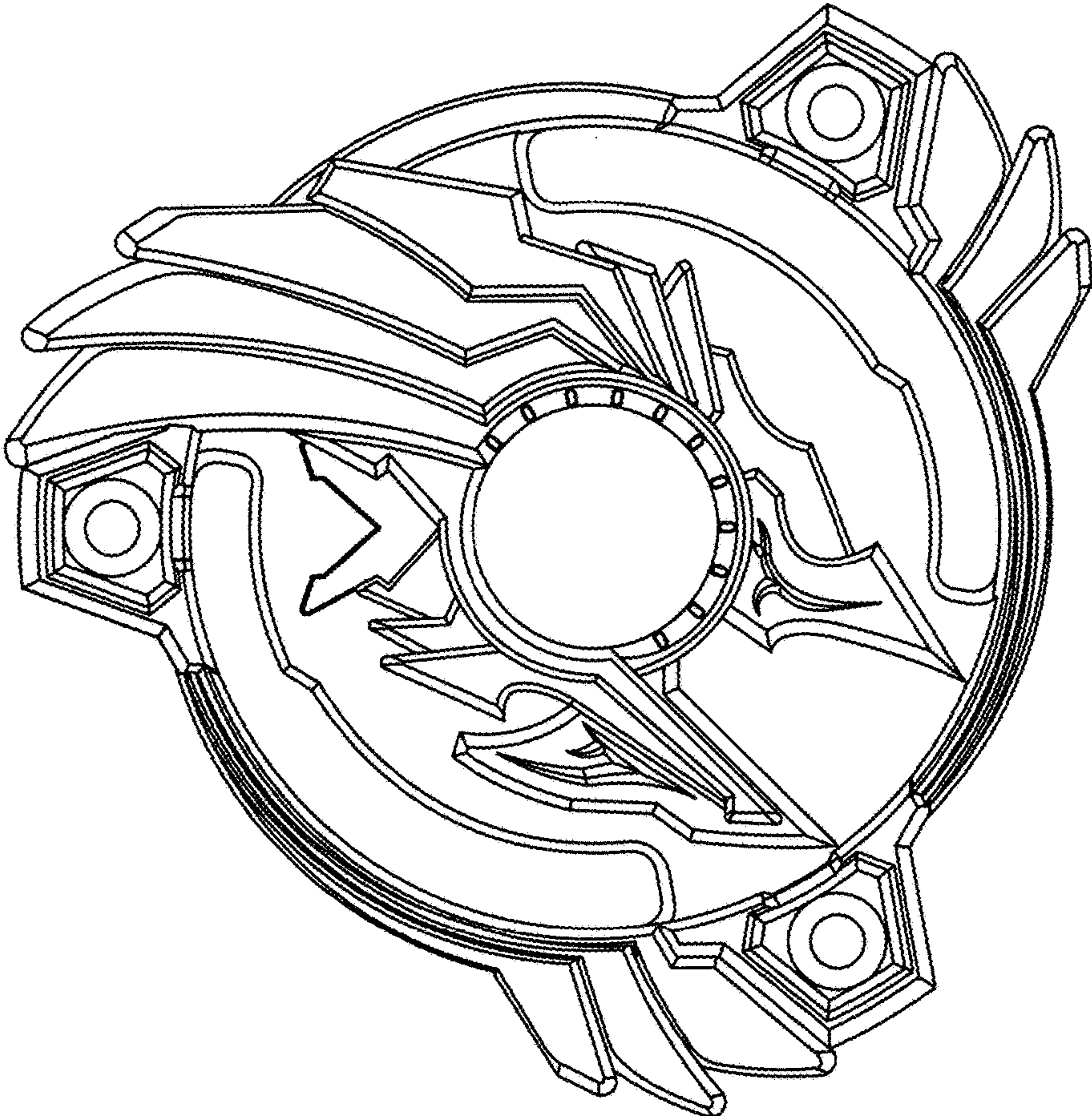


FIG. 9

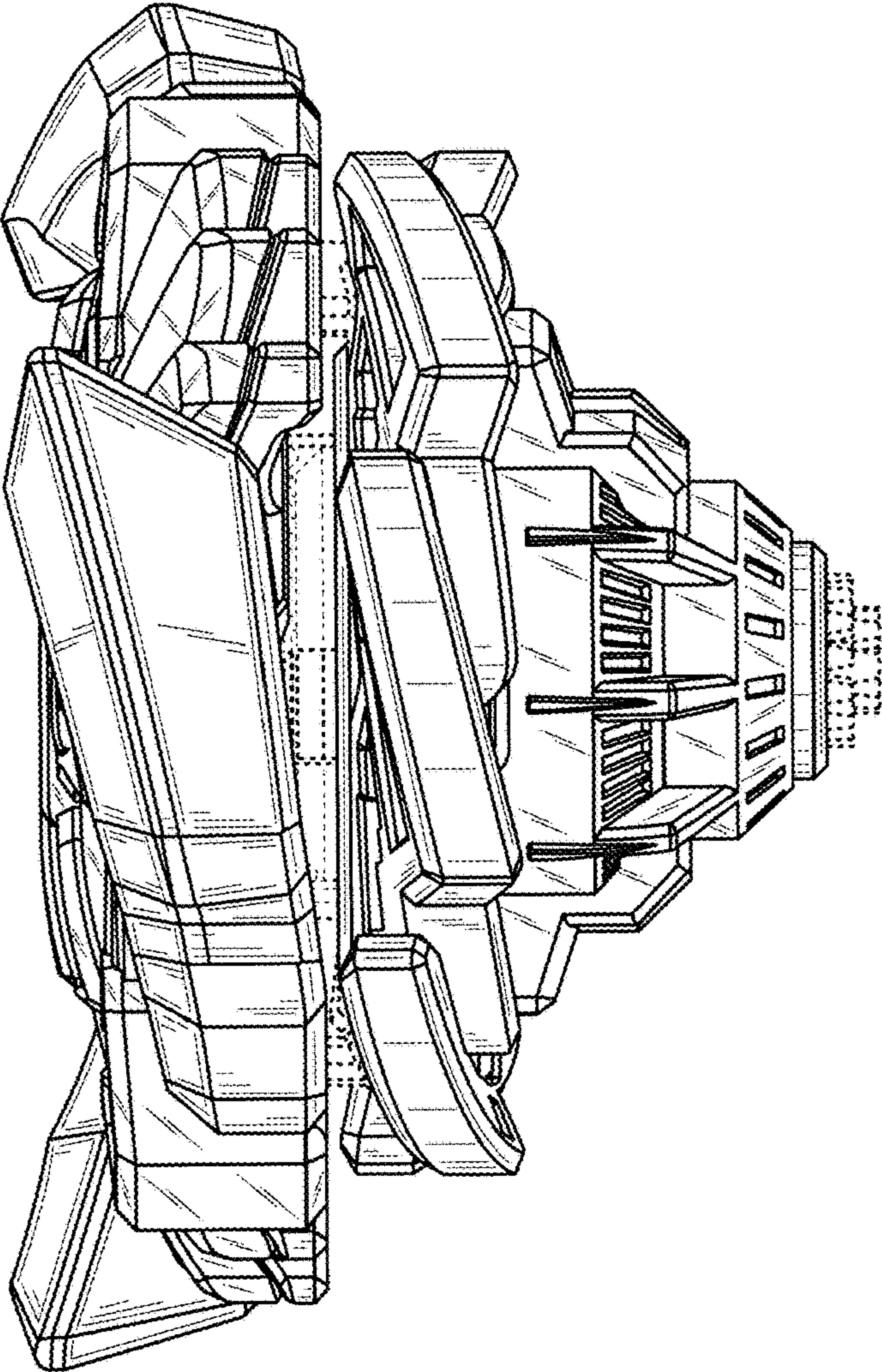


FIG. 10



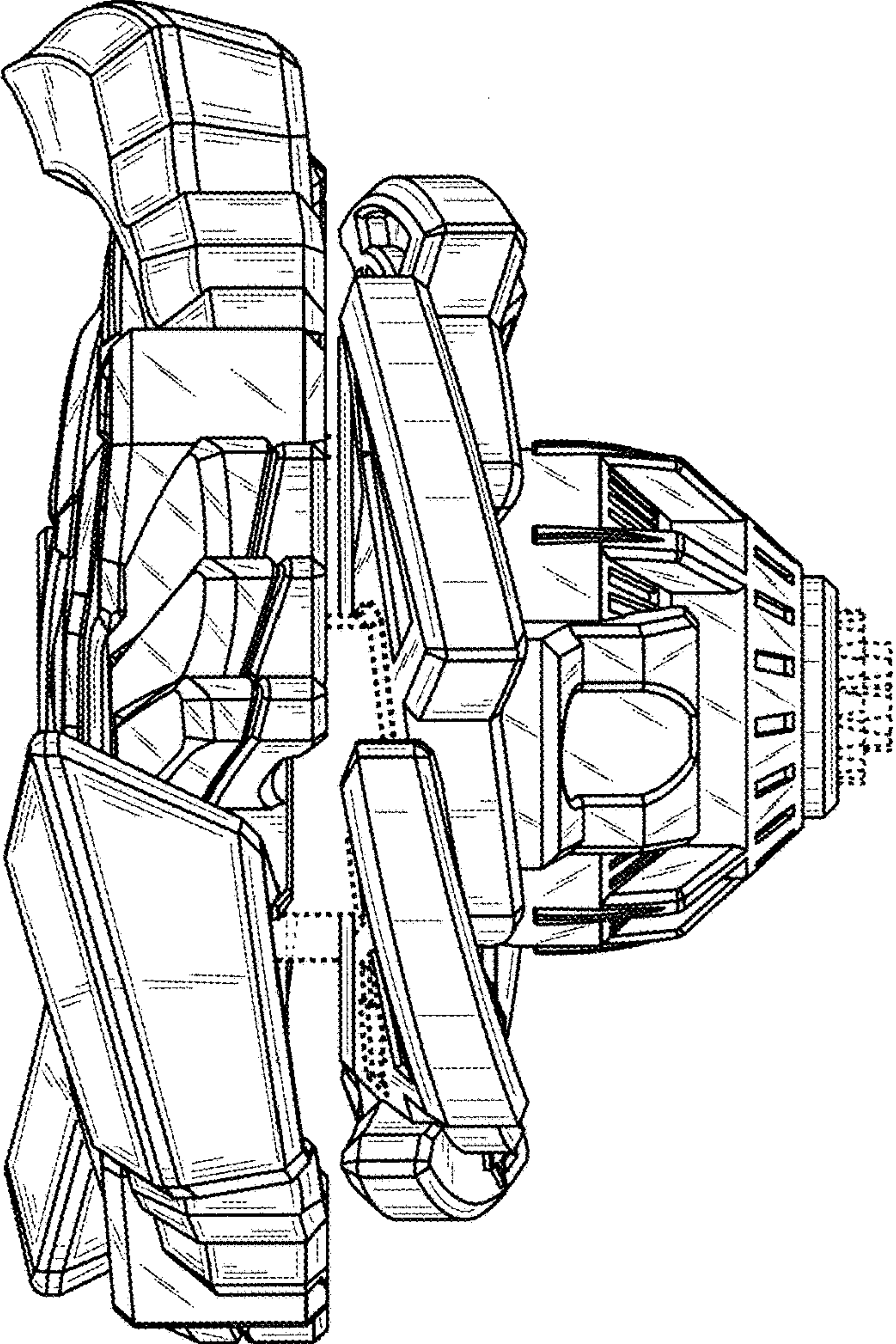


FIG. 11

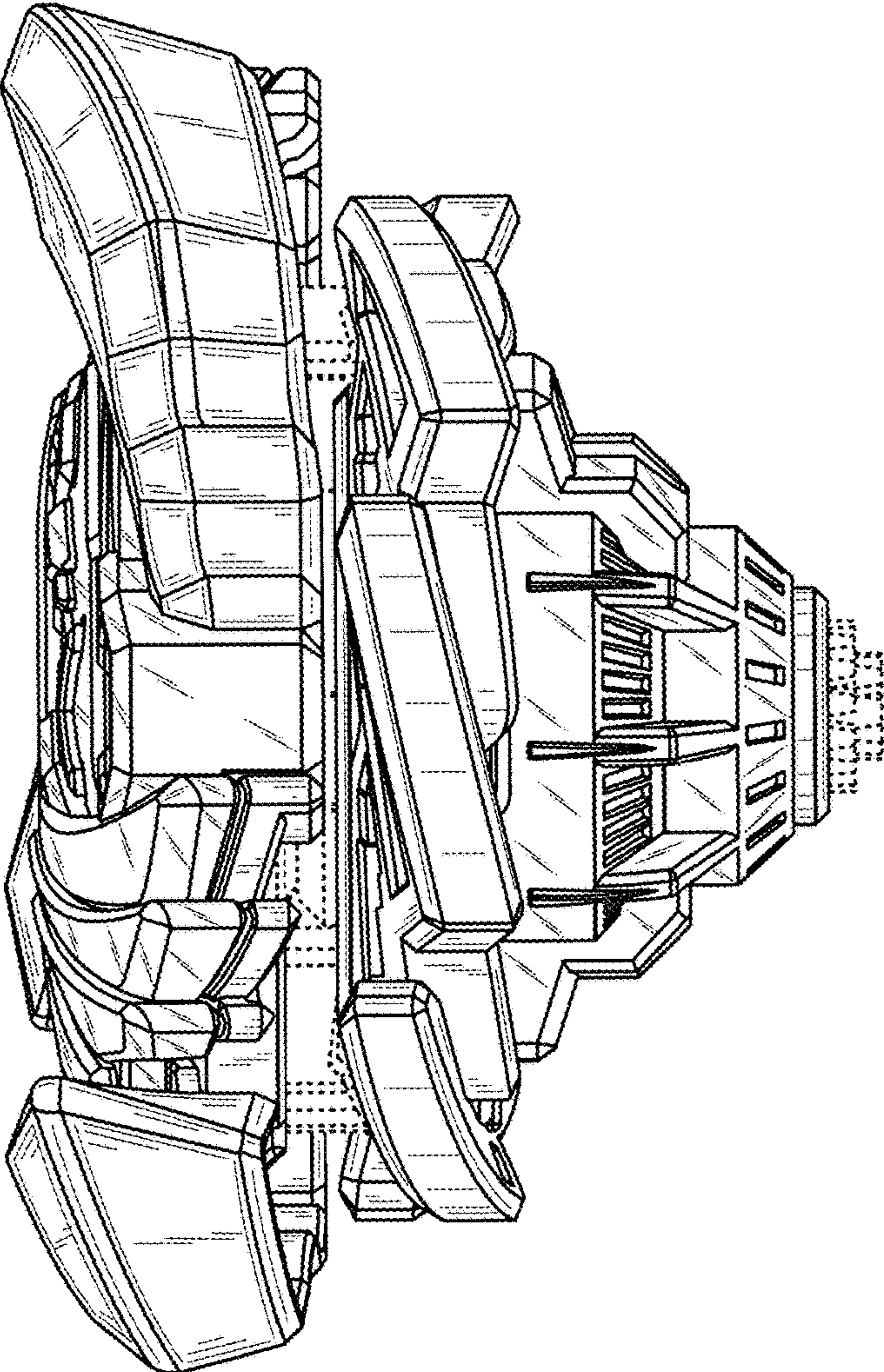


FIG. 12



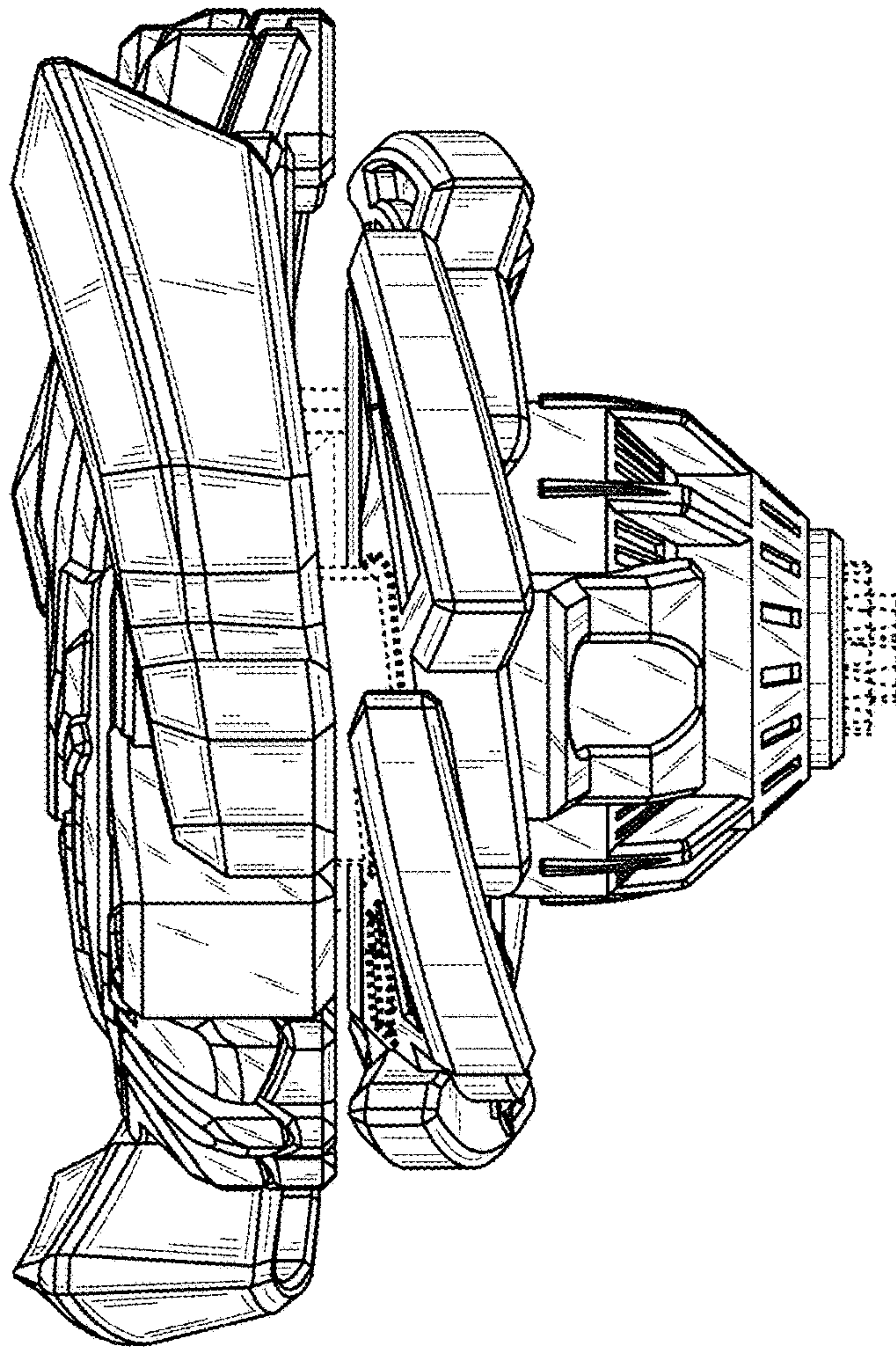


FIG. 13

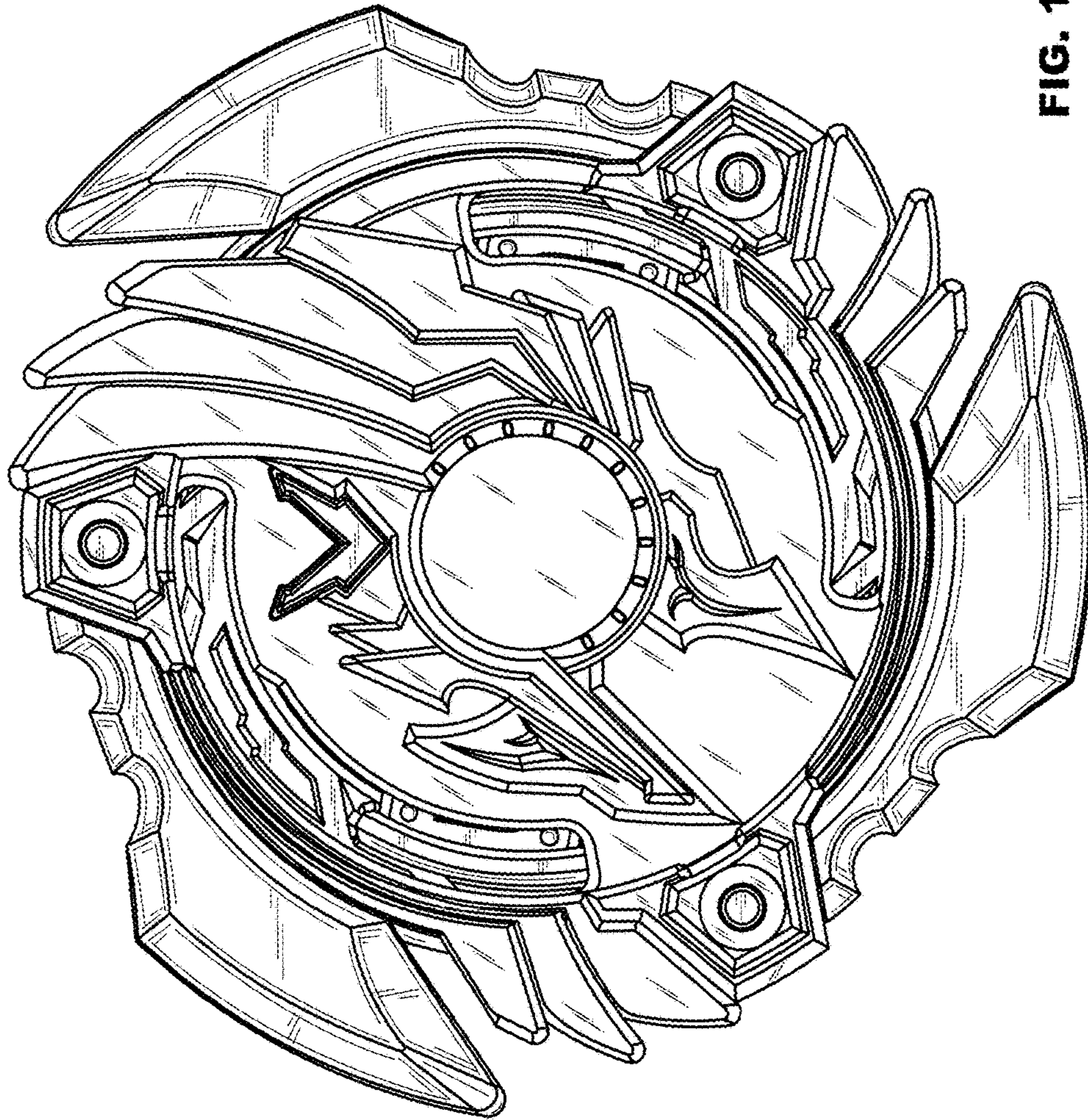


FIG. 14



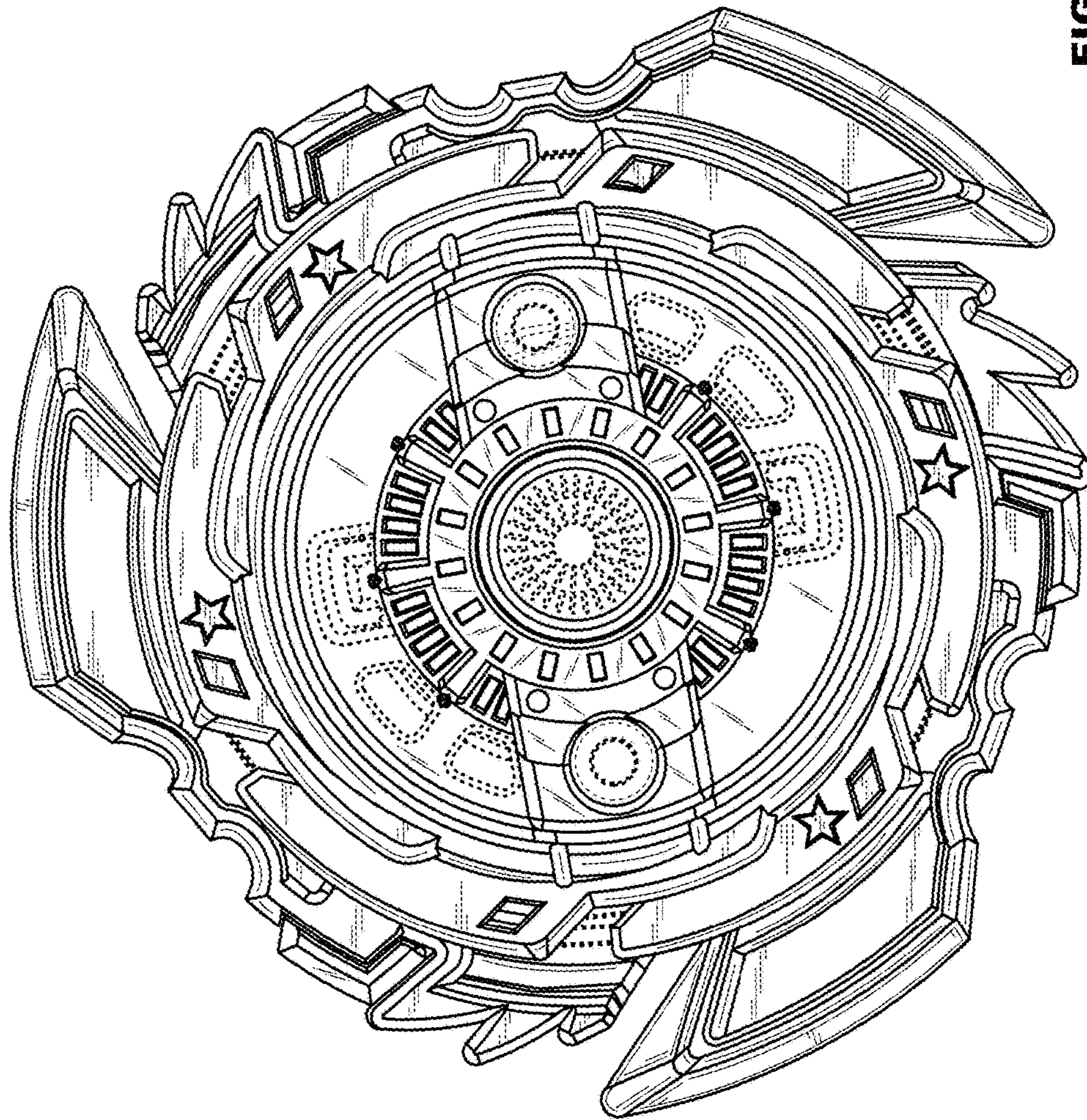


FIG. 15



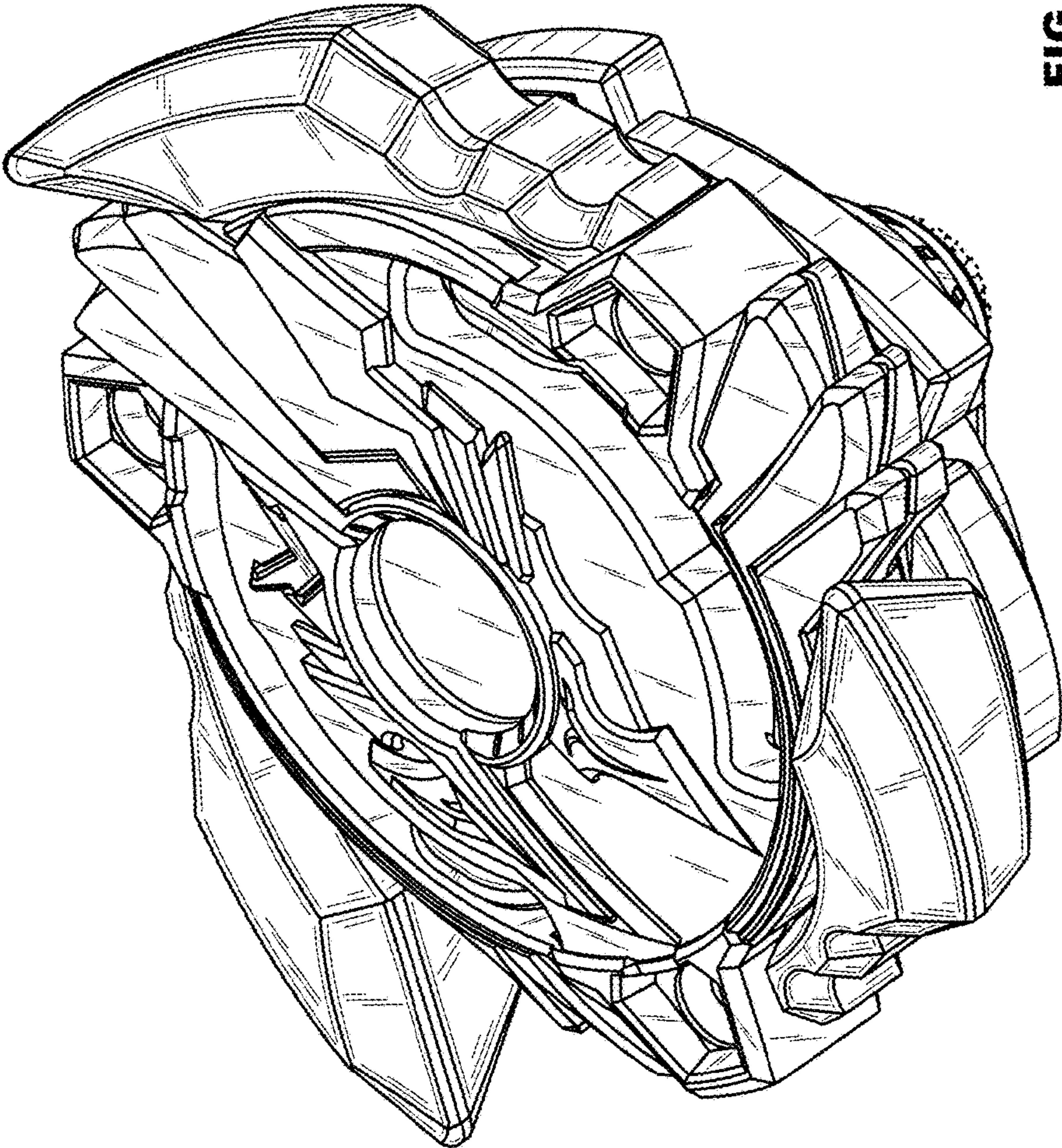


FIG. 16



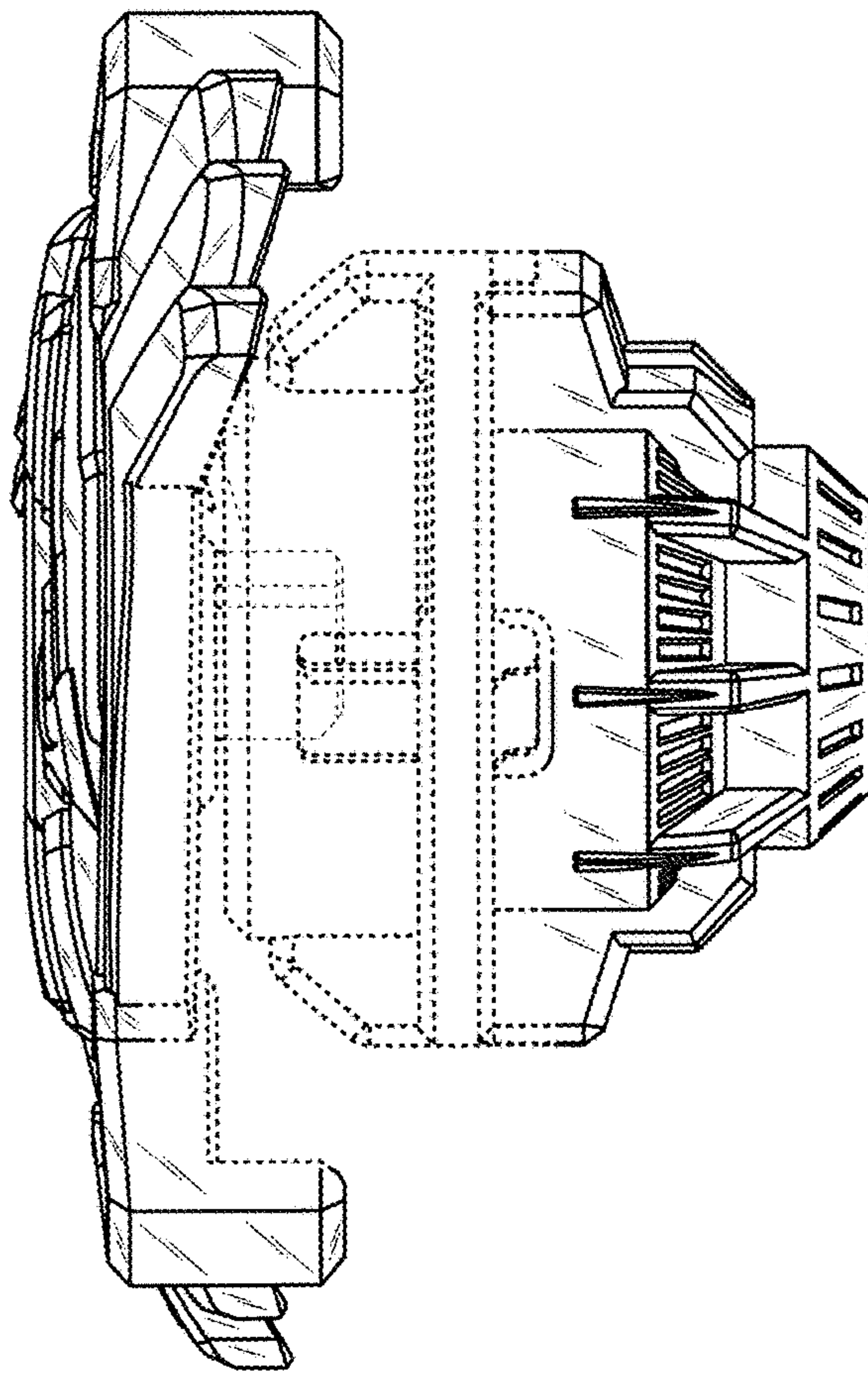


FIG. 17

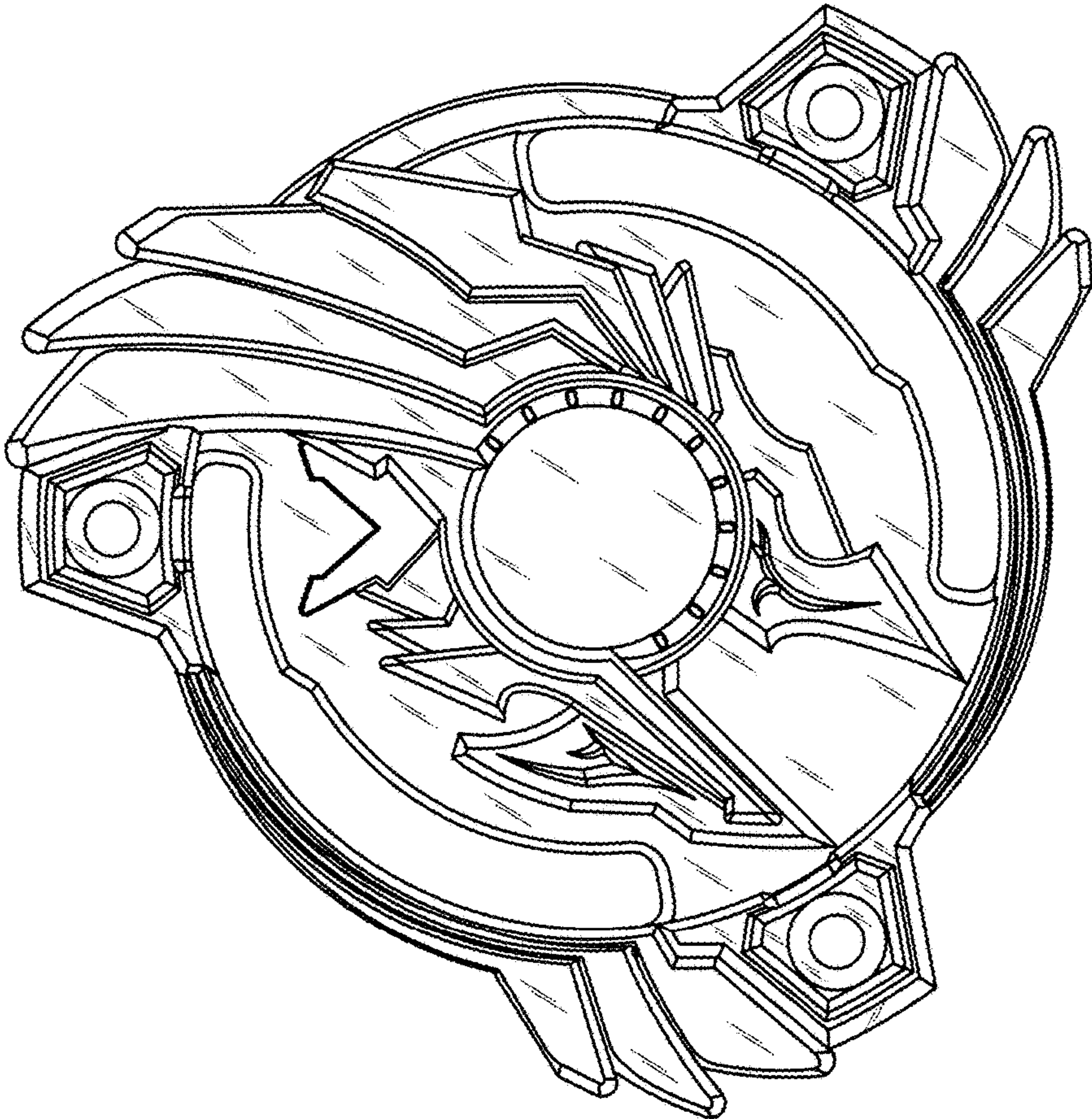


FIG. 18