



US00D843488S

(12) **United States Design Patent**
Brous

(10) **Patent No.:** **US D843,488 S**
(45) **Date of Patent:** **** Mar. 19, 2019**

- (54) **SPINNING DISC AND SPINDLE TOY**
- (71) Applicant: **Todd N. Brous**, Great Neck, NY (US)
- (72) Inventor: **Todd N. Brous**, Great Neck, NY (US)
- (73) Assignee: **WIST WORK LLC**, Great Neck, NY (US)
- (**) Term: **15 Years**
- (21) Appl. No.: **29/642,541**
- (22) Filed: **Mar. 30, 2018**

1,971,260 A * 8/1934 Guest F16H 55/22
74/458

2,142,018 A 12/1938 Carter et al.
2,395,549 A 2/1946 Jakob et al.
2,417,565 A * 3/1947 Norvell A63B 65/12
273/144 R

2,462,576 A 2/1949 Theodore et al.
2,595,061 A 4/1952 Downey et al.
2,717,983 A * 9/1955 Fay H03J 1/06
336/131

2,961,796 A * 11/1960 Davis A63H 33/22
273/109

D203,605 S 2/1966 Swimmer
3,425,698 A 2/1969 Steiert et al.
4,279,173 A * 7/1981 Krebs F16H 25/2006
74/409

D260,103 S * 8/1981 Appel D11/157
4,440,399 A * 4/1984 Smith A63B 63/06
273/348.4

Related U.S. Application Data

- (63) Continuation-in-part of application No. 15/727,658, filed on Oct. 9, 2017.
- (51) **LOC (11) Cl.** **21-01**
- (52) **U.S. Cl.**
USPC **D21/455**
- (58) **Field of Classification Search**
USPC D21/455-464; D15/139; D8/70, 387; 446/103, 236-266; 74/425, 458, 500, 74/505, 507, 509, 10.8, 89.14, 724, 74/665 GD, 424.5, 425.5, 426, 427, 499
CPC . A63H 1/00-1/32; A63H 11/04; A63H 13/20; A63H 31/02
See application file for complete search history.

4,531,736 A 7/1985 Sahler
4,618,297 A * 10/1986 Bishop B23F 3/00
409/58

5,099,805 A * 3/1992 Ingalls F01L 1/042
123/90.15

5,219,146 A * 6/1993 Thompson F16K 7/061
251/7

5,735,724 A * 4/1998 Udagawa A63H 13/20
40/409

5,827,107 A * 10/1998 Bears A63H 1/20
446/263

6,592,423 B1 * 7/2003 Boyle A63H 33/22
362/323

7,866,225 B2 * 1/2011 Oberle B60N 2/067
74/427

8,567,280 B2 * 10/2013 Bogar F16H 1/163
74/424.5

8,794,087 B2 * 8/2014 Wu F16H 25/2015
74/424.71

D796,563 S * 9/2017 Sharivker D15/139
2002/0139210 A1 * 10/2002 Blanchard F16H 1/16
74/425

2004/0129102 A1 * 7/2004 Rennen F02D 9/1065
74/425

2008/0099615 A1 * 5/2008 Steiner B64C 1/1484
244/129.3

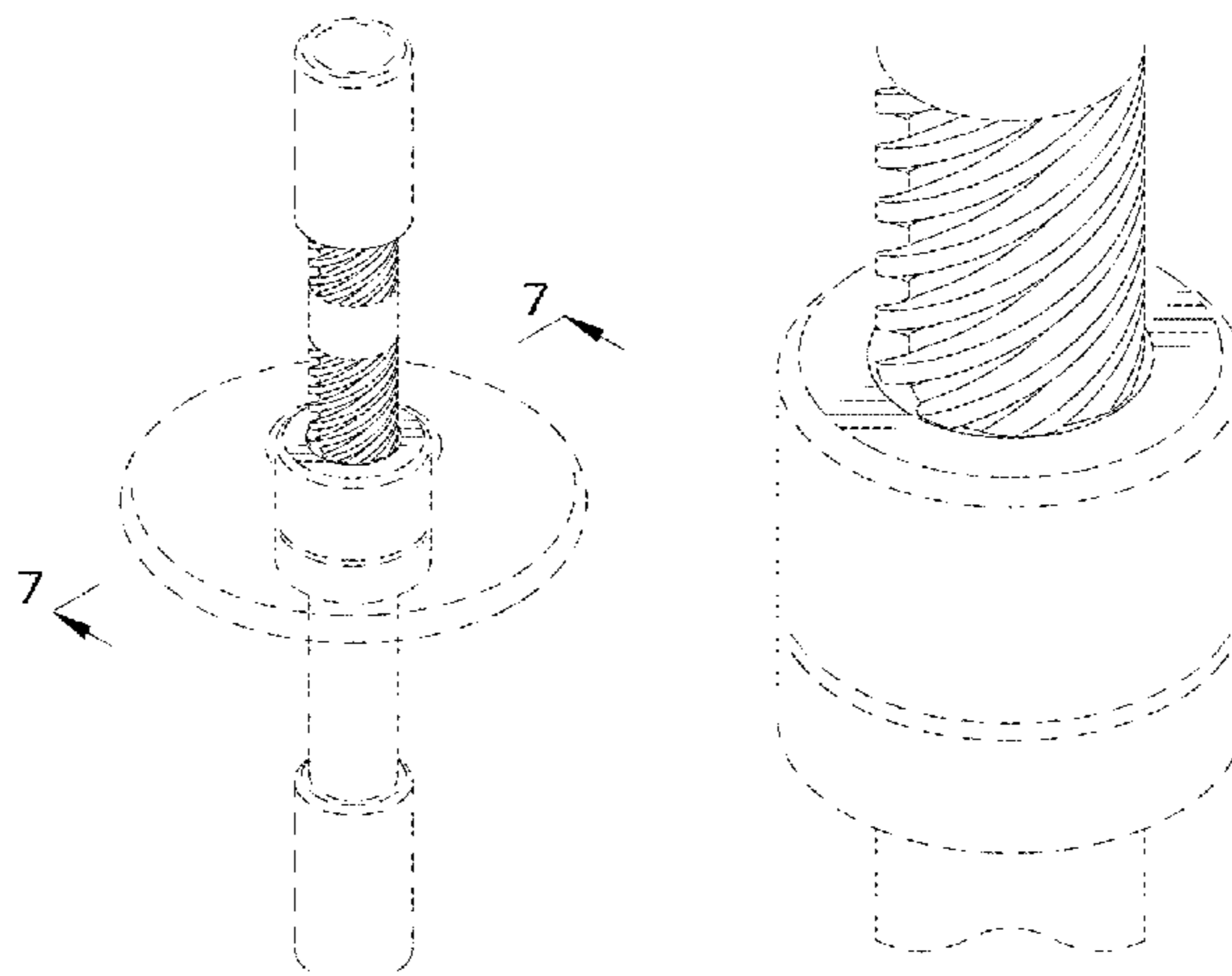
2009/0304478 A1 * 12/2009 Jung F16B 39/30
411/246

2012/0097505 A1 * 4/2012 Berger B65G 21/16
198/836.3

(56) **References Cited**

U.S. PATENT DOCUMENTS

- 931,901 A * 8/1909 Towne A63H 1/06
446/241
- 1,216,775 A * 2/1917 Conradson F16H 1/16
74/425
- 1,415,016 A * 5/1922 Brown B23F 13/04
451/219
- 1,441,158 A 1/1923 Le et al.
- 1,482,976 A 2/1924 Downey et al.
- 1,683,758 A * 9/1928 Candee B23F 15/06
74/416
- 1,756,608 A 4/1930 Reider et al.



2012/0192668	A1*	8/2012	Hsu	F16H 25/2214 74/424.89
2013/0178131	A1*	7/2013	Wudtke	A63H 13/00 446/129
2015/0217676	A1*	8/2015	Tajima	B60Q 1/076 74/89.14

FOREIGN PATENT DOCUMENTS

CN	301557519	*	5/2011	
CN	302061112	*	9/2012	
CN	303842563	*	9/2016	
DE	360879	C	10/1922 A63H 1/06
DE	29515347	U1	11/1995 A63H 1/00
DE	102015209600	A1	12/2016 F16H 25/2204
GB	434382	A	8/1935 F16K 27/04
KR	300885380.0000	*	12/2016	

OTHER PUBLICATIONS

Hobby Motorizing Parts Worm Gear Set shown on webpage: <https://web.archive.org/web/20160517094343/http://hobbymasters.com/stevens-assorted-plastic-worm-gear-set-12pcs/> Web Archive capture date: May 17, 2016 [Accessed May 19, 2018] (Year: 2016).*

Ojade Magnetic Mechanics Gravity Moondrop Fidget Spinner Toys (3PCS). (n.d.). Retrieved Mar. 29, 2018, from <http://www.dx.com/p/ojade-magnetic-mechanics-gravity-moondrop-fidget-spinner-toys-3pcs-467958#.WoH3O6inGUK>.

Fat Brain Toys Kids Spinagain Toy: Toys & Games. (n.d.). Retrieved Mar. 29, 2018, from <https://www.amazon.com/Fat-Brain-Toys-Kids-Spinagain/dp/B016F5QJQW>.

Ball Screw Sfu3205 Standard Accuracy Ball Screw Set With End Machining—Buy Pitch 4mm Lead Ball Sfu3205,Ball Screw Sfu3205,3205for Cnc Machine Product on Alibaba.com. (n.d.). Retrieved Mar. 29, 2018, from https://www.alibaba.com/product-detail/Ball-Screw-SFU3205-Standard-Accuracy-Ball_60705084571.html.

Nut Off Bolt Screw Close Up Magic Trick Micro Psychic Rotating. (n.d.). Retrieved Mar. 29, 2018, from https://www.banggood.com/Nut-Off-Bolt-Screw-Close-Up-Magic-Trick-Micro-Psychic-Rotating-p-922768.html?cur_warehouse=CN.

Dryspin®—ACME—Trapezoidal (Metric ACME)—High Helix. (n.d.). Retrieved Mar. 29, 2018, from https://www.igus.com/wpck/17082/drylin-trapezgewindemutter#section_3.

* cited by examiner

Primary Examiner — Catherine A Tuttle
(74) *Attorney, Agent, or Firm* — Dunlap Bennett & Ludwig PLLC

(57) **CLAIM**

The ornamental design for a spinning disc and spindle toy, as shown and described.

DESCRIPTION

FIG. 1 is a top front perspective view of a first embodiment of a spinning disc and spindle toy, showing my design;
FIG. 2 is a top plan view thereof;
FIG. 3 is a bottom plan view thereof;
FIG. 4 is a front elevation view thereof, the rear elevation view being a mirror image thereof;
FIG. 5 is a right elevation view of FIG. 1, the left elevation view being a mirror image thereof;
FIG. 6 is an enlarged detail view of FIG. 1;
FIG. 7 is a cross sectional view taken along line 7-7 of FIG. 1;

FIG. 8 is a top front perspective view of a second embodiment of my design;
FIG. 9 is a top plan view thereof;
FIG. 10 is a bottom plan view thereof;
FIG. 11 is a front elevation view thereof, the rear elevation view being a mirror image thereof;
FIG. 12 is a right elevation view thereof, the left elevation view being a mirror image thereof;
FIG. 13 is an enlarged detail view of FIG. 8;
FIG. 14 is a cross sectional view taken along line 14-14 of FIG. 8;
FIG. 15 is a top front perspective view of a third embodiment of my design;
FIG. 16 is a top plan view thereof;
FIG. 17 is a bottom plan view thereof;
FIG. 18 is a front elevation view thereof, the rear elevation view being a mirror image thereof;
FIG. 19 is a right elevation view thereof, the left elevation view being a mirror image thereof;
FIG. 20 is an enlarged detail view of FIG. 15;
FIG. 21 is a cross sectional view of FIG. 15, taken along line 21-21 of FIG. 15;
FIG. 22 is a top front perspective view of a fourth embodiment of my design;
FIG. 23 is a top plan view thereof;
FIG. 24 is a bottom plan view thereof;
FIG. 25 is a front elevation view thereof, the rear elevation view being a mirror image thereof;
FIG. 26 is a right elevation view thereof, the left elevation view being a mirror image thereof;
FIG. 27 is an enlarged detail view of FIG. 22;
FIG. 28 is a cross sectional view taken along line 28-28 of FIG. 22;
FIG. 29 is a top front perspective view of a fifth embodiment of my design;
FIG. 30 is a top plan view thereof;
FIG. 31 is a bottom plan view thereof;
FIG. 32 is a front elevation view thereof, the rear elevation view being a mirror image thereof;
FIG. 33 is a right elevation view thereof, the left elevation view being a mirror image thereof;
FIG. 34 is an enlarged detail view of FIG. 29;
FIG. 35 is a cross sectional view taken along line 34-34 of FIG. 29;
FIG. 36 is a top front perspective view of a sixth embodiment of my design;
FIG. 37 is a top plan view thereof;
FIG. 38 is a bottom plan view thereof;
FIG. 39 is a front elevation view thereof, the rear elevation view being a mirror image thereof;
FIG. 40 is a right elevation view thereof, the left elevation view being a mirror image thereof;
FIG. 41 is an enlarged detail view of FIG. 36; and,
FIG. 42 is a cross sectional view taken along line 42-42 of FIG. 36.
The even length dashed lines in the drawings depict portions of the spinning disc and spindle toy that form no part of the claimed design. The alternating length dashed lines in the drawings depict the boundary of the claim; and it is understood that the claim extends to the boundary that forms no part of the claimed design.

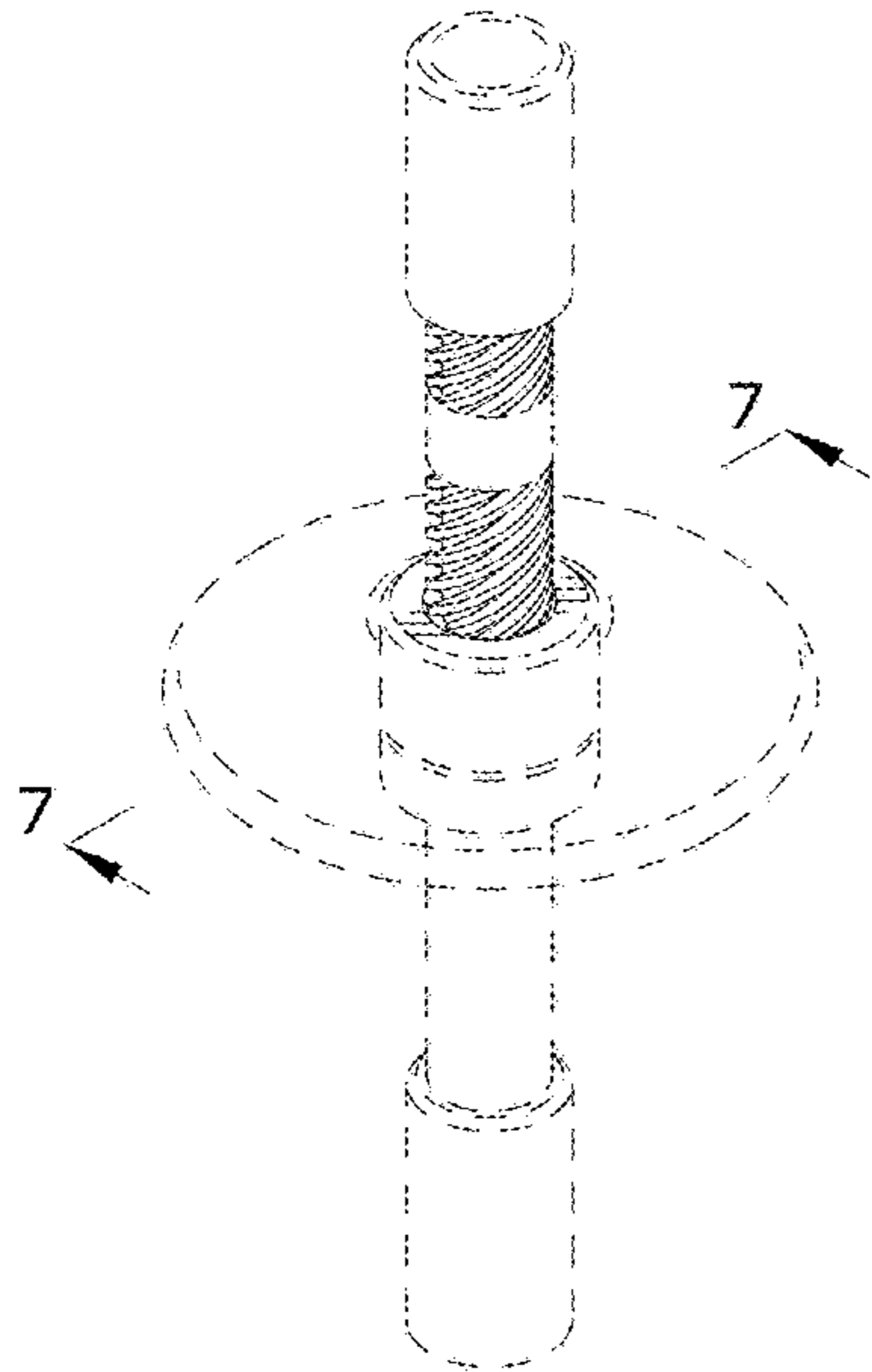


FIG. 1

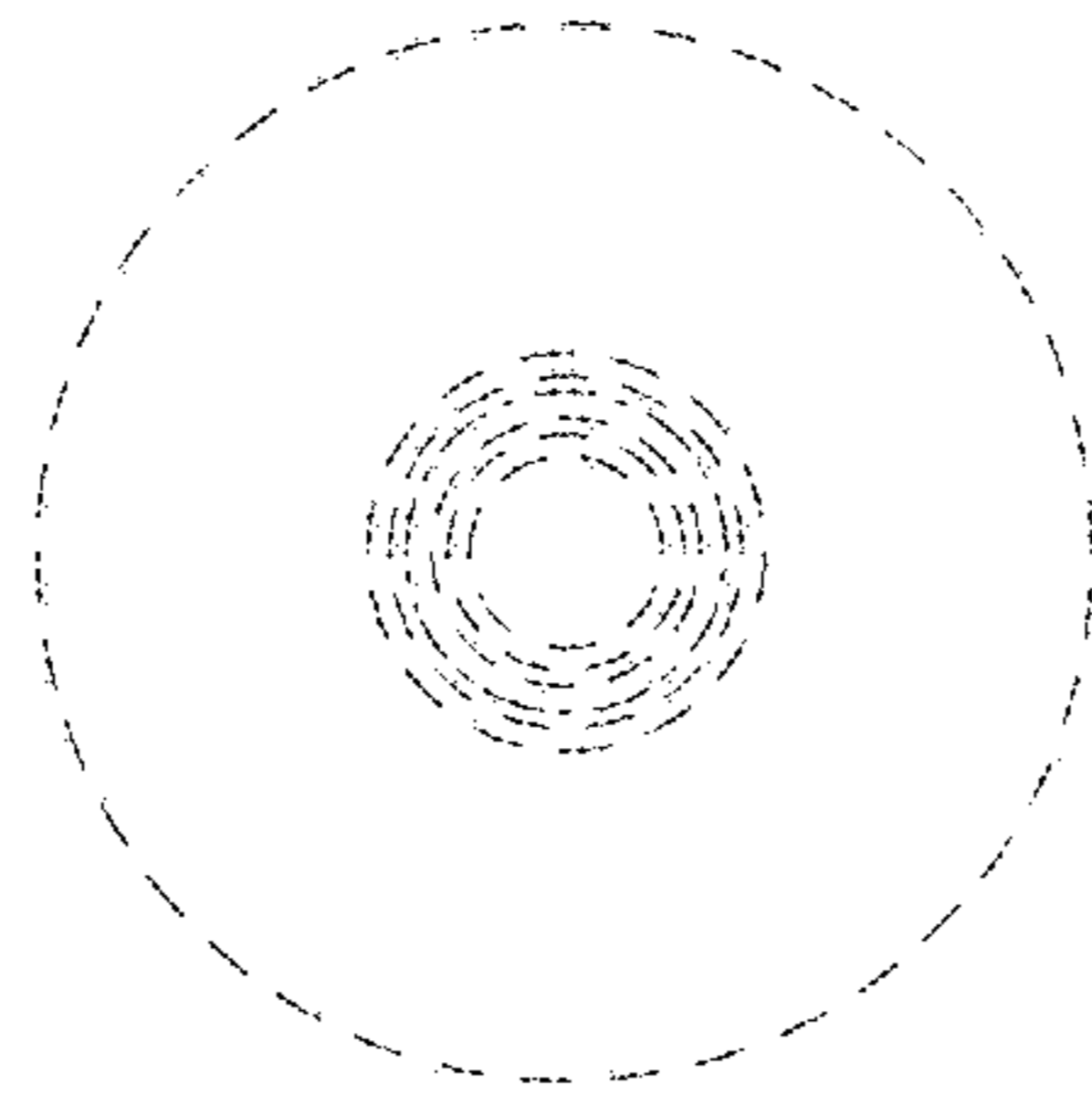


FIG. 2

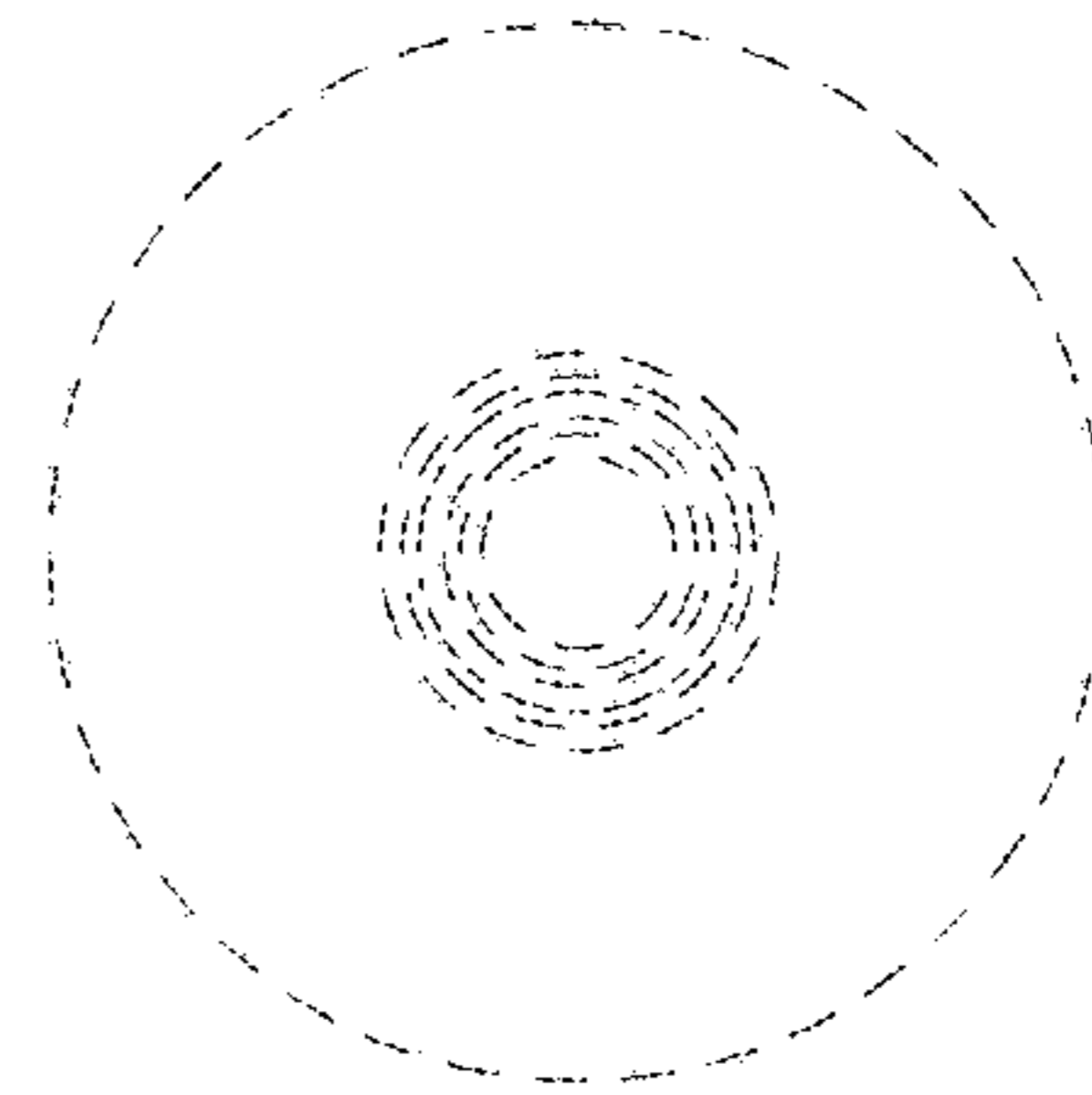


FIG. 3

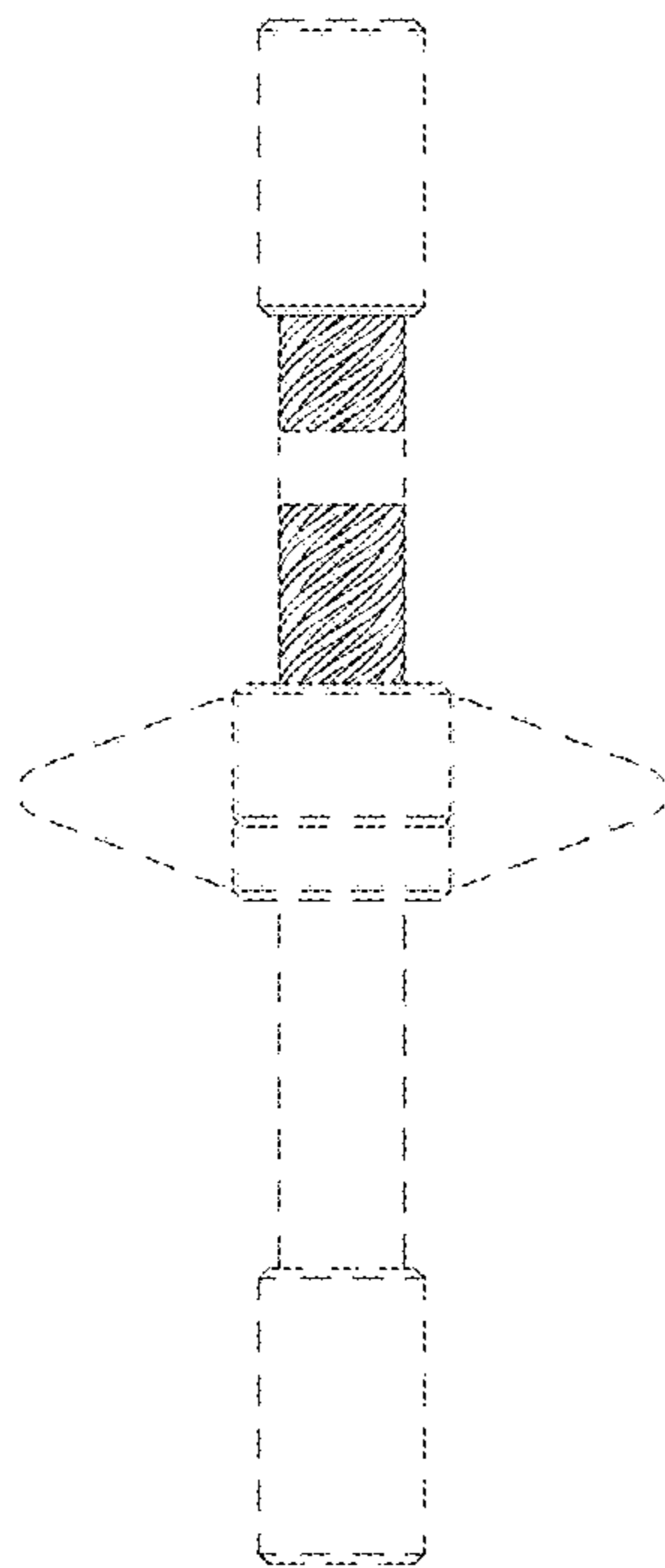


FIG. 4

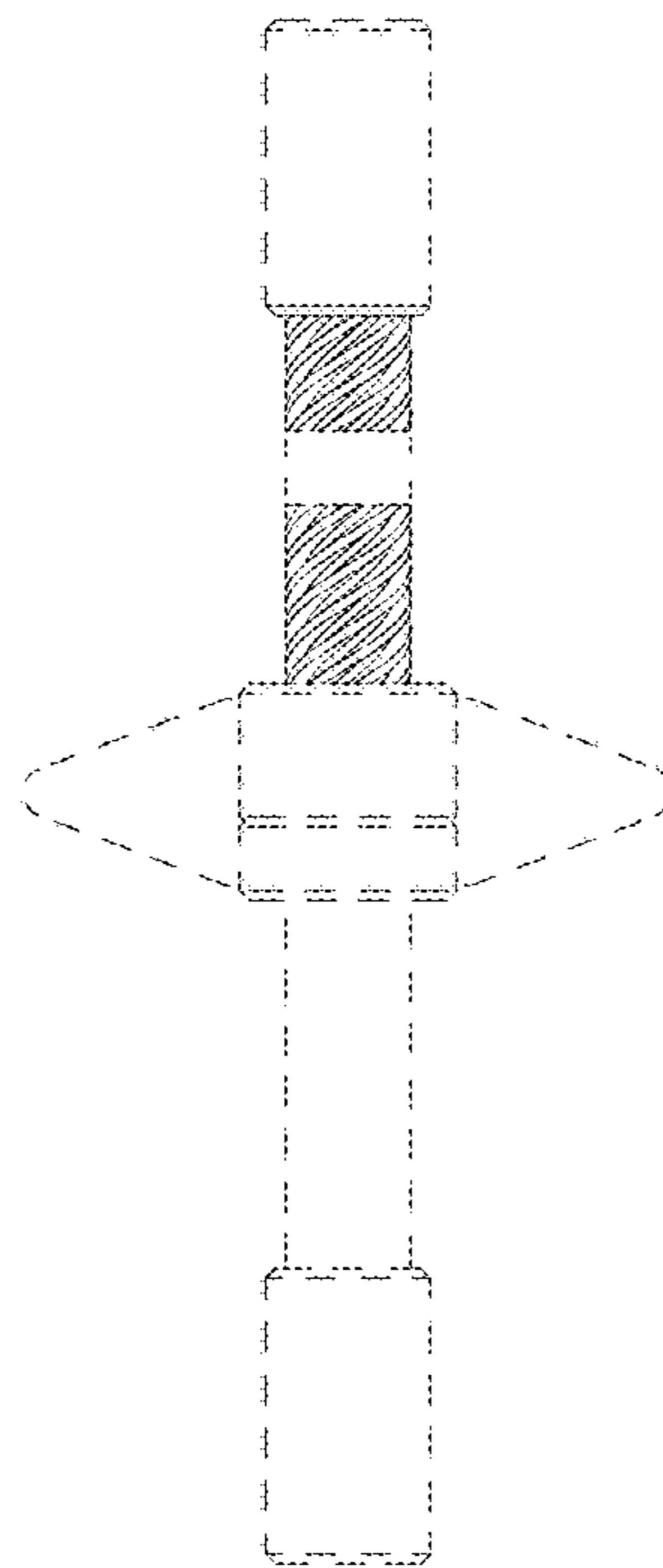


FIG. 5

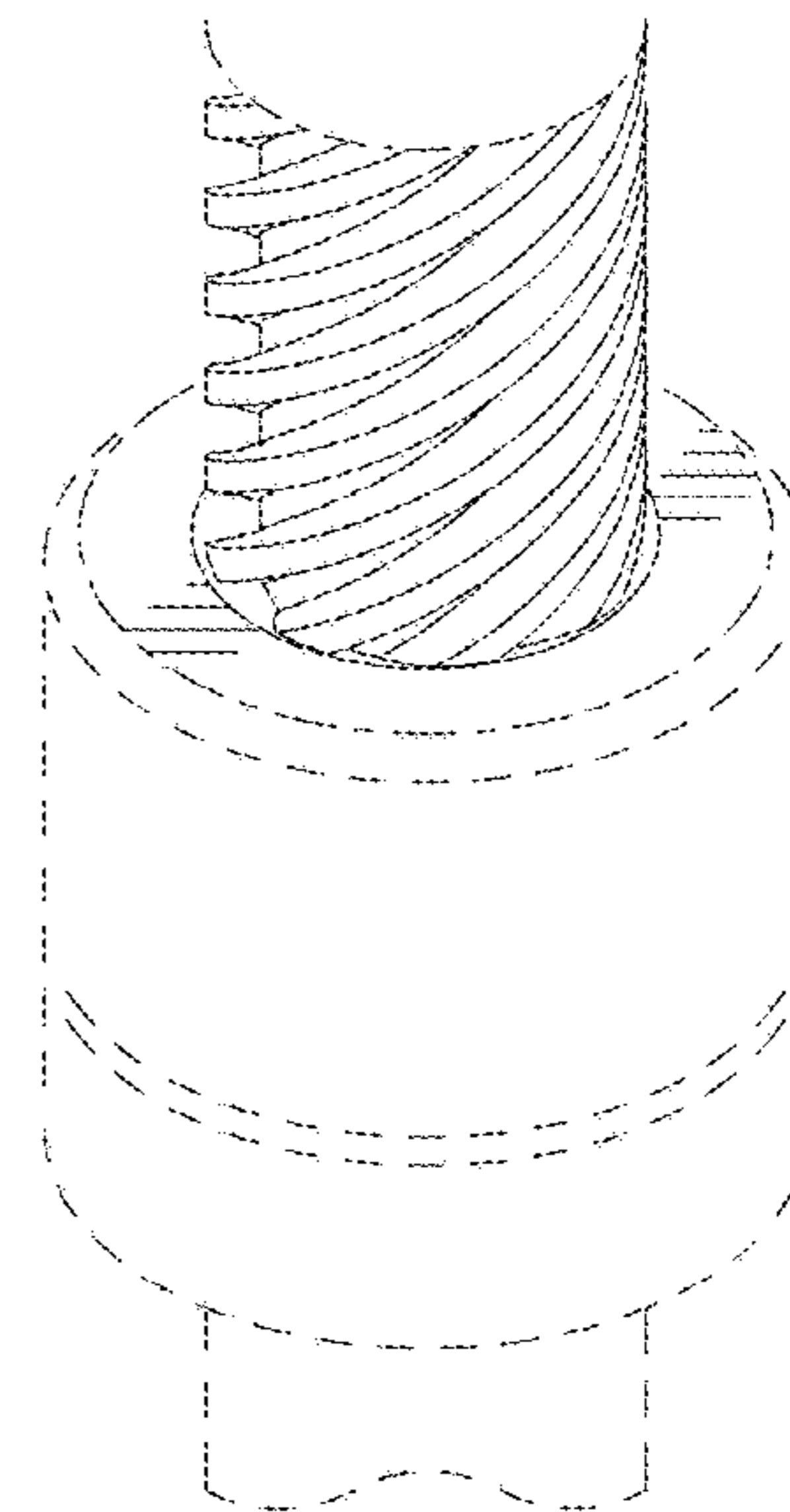


FIG. 6

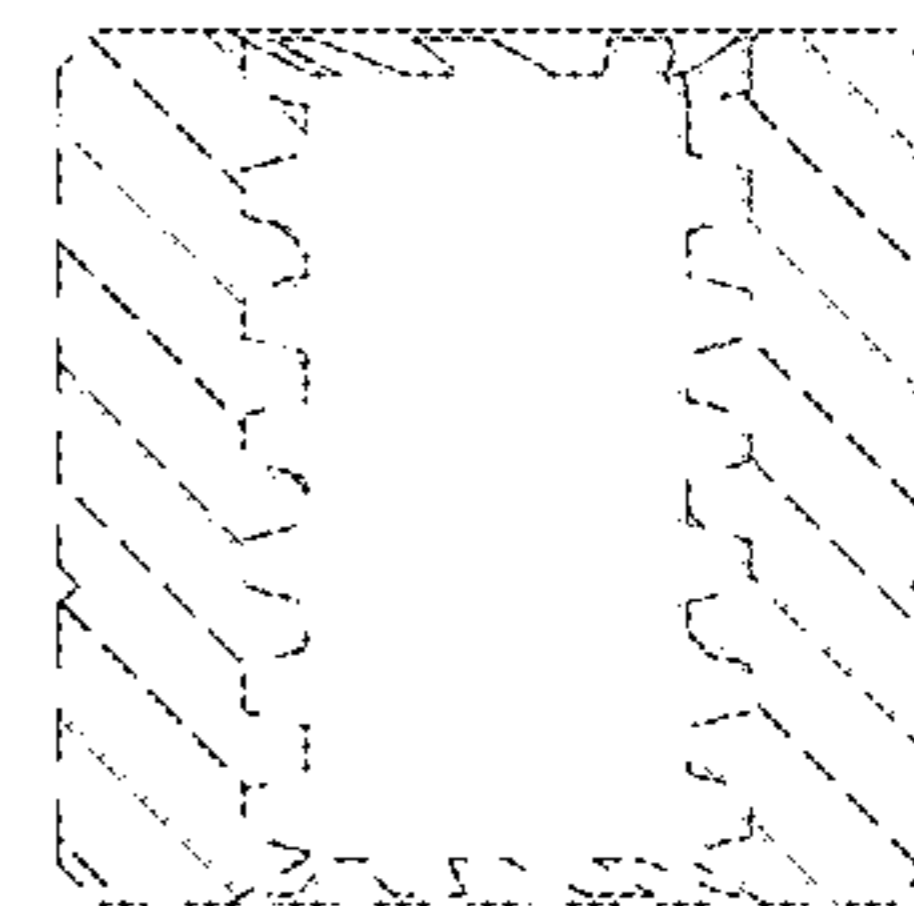


FIG. 7

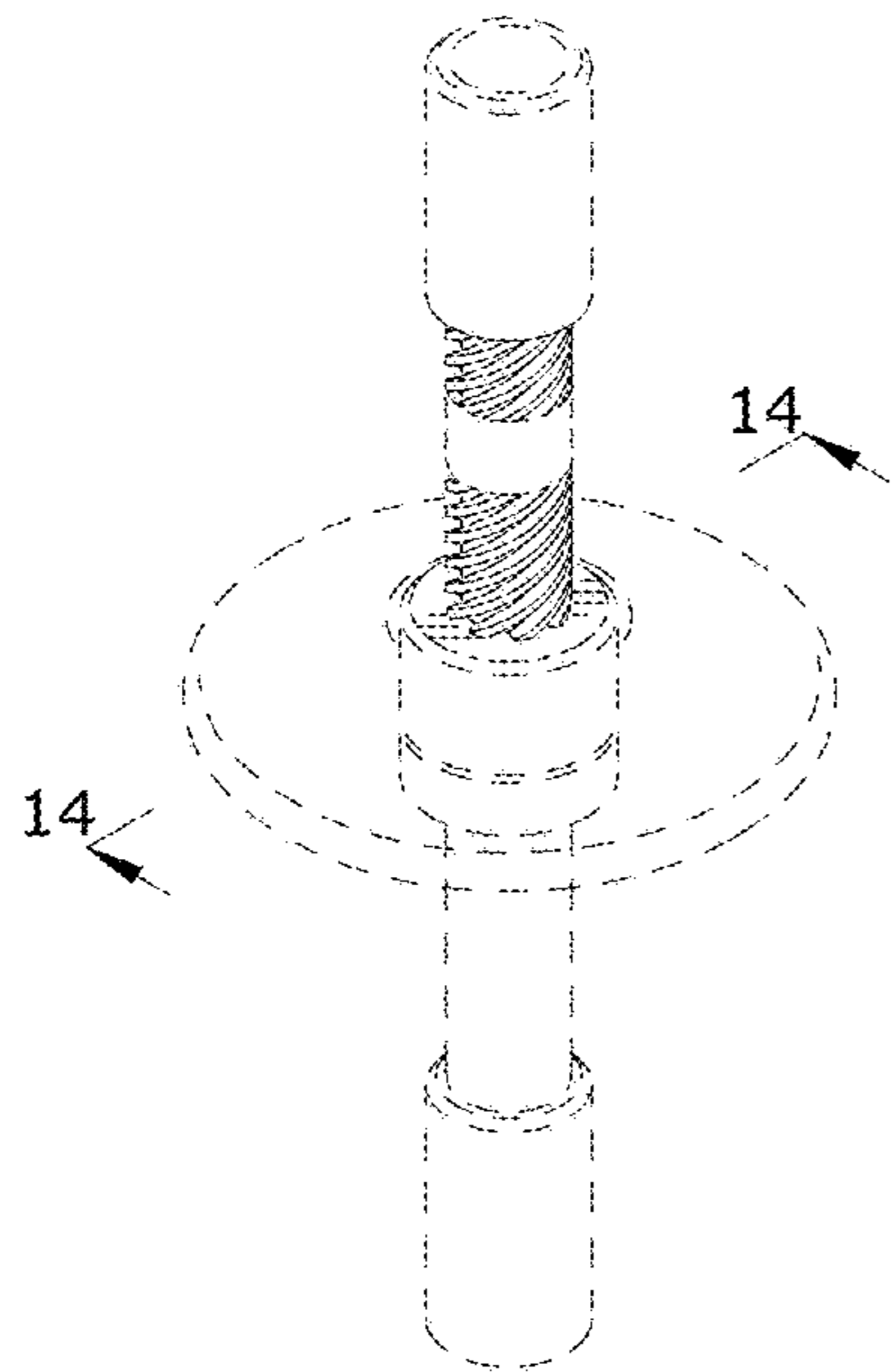


FIG. 8

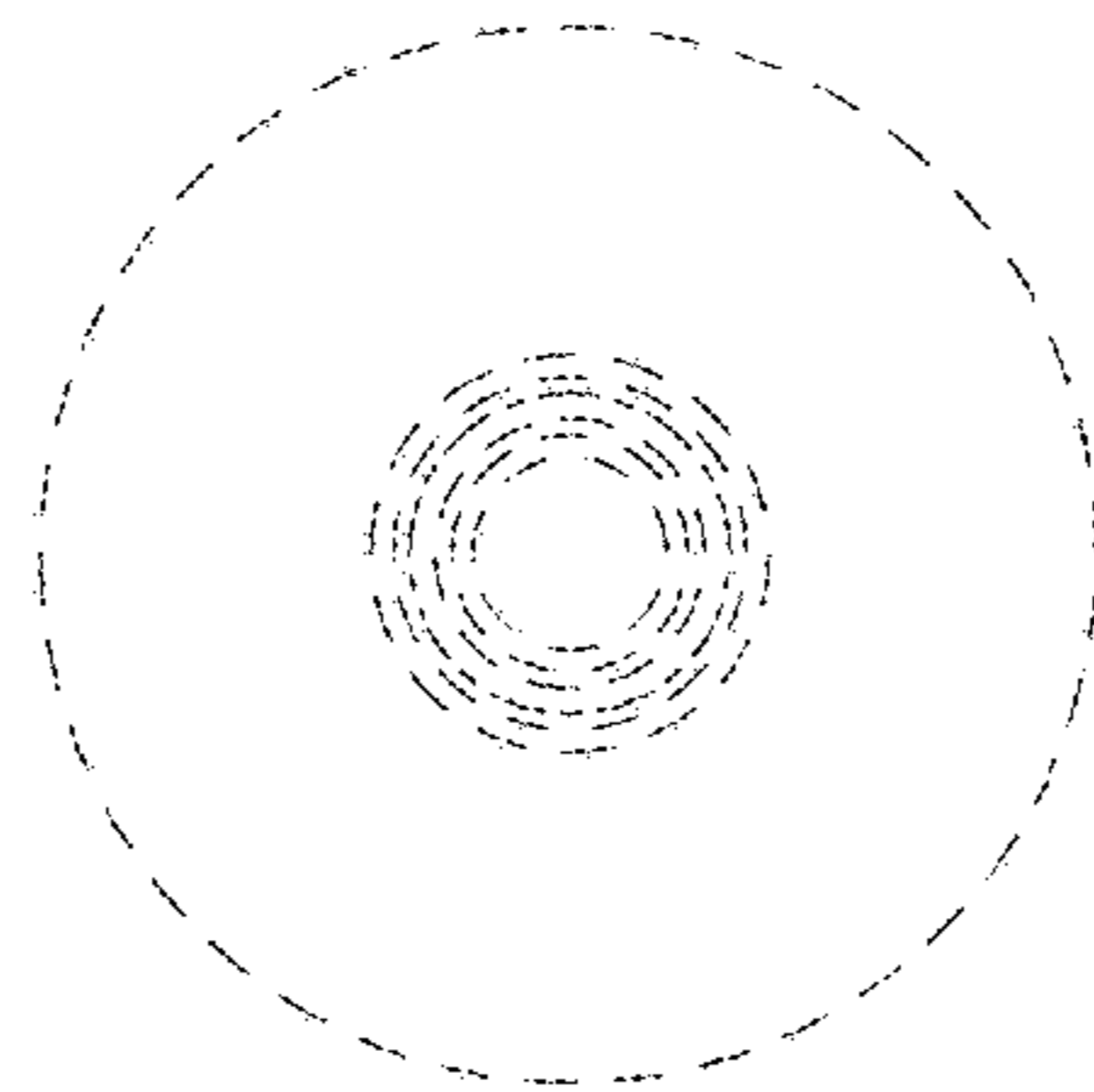


FIG. 9

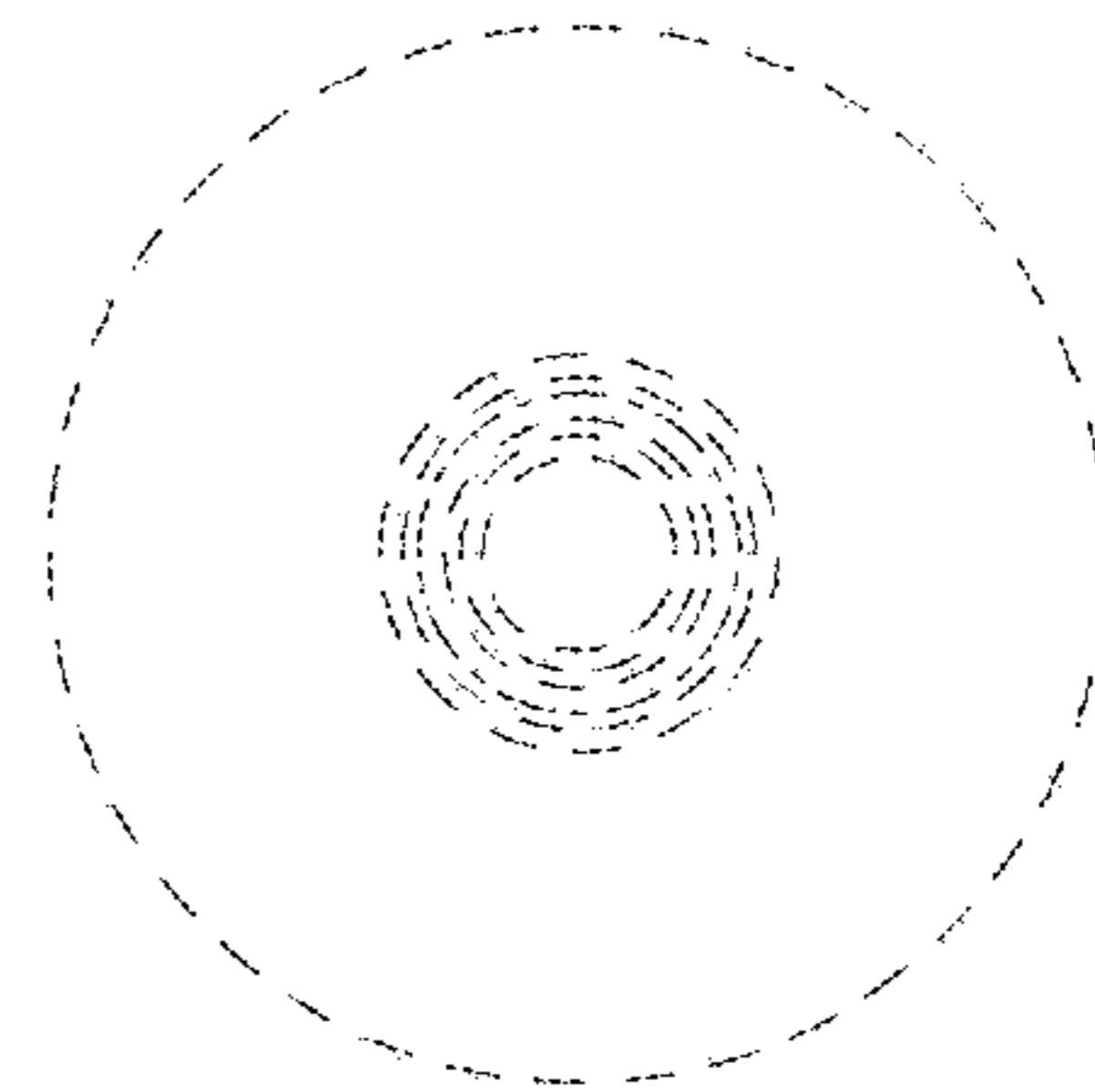


FIG. 10

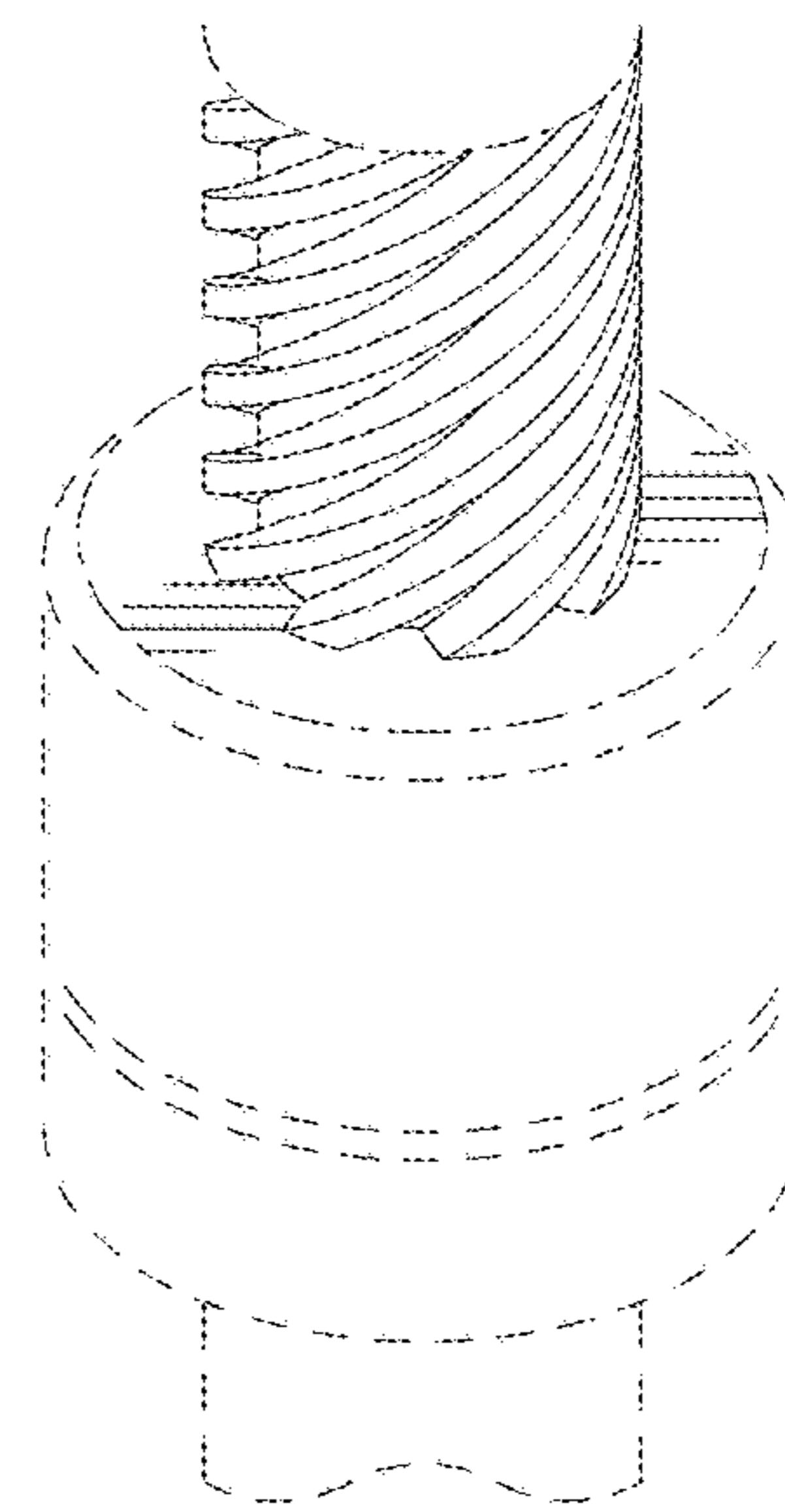


FIG. 13

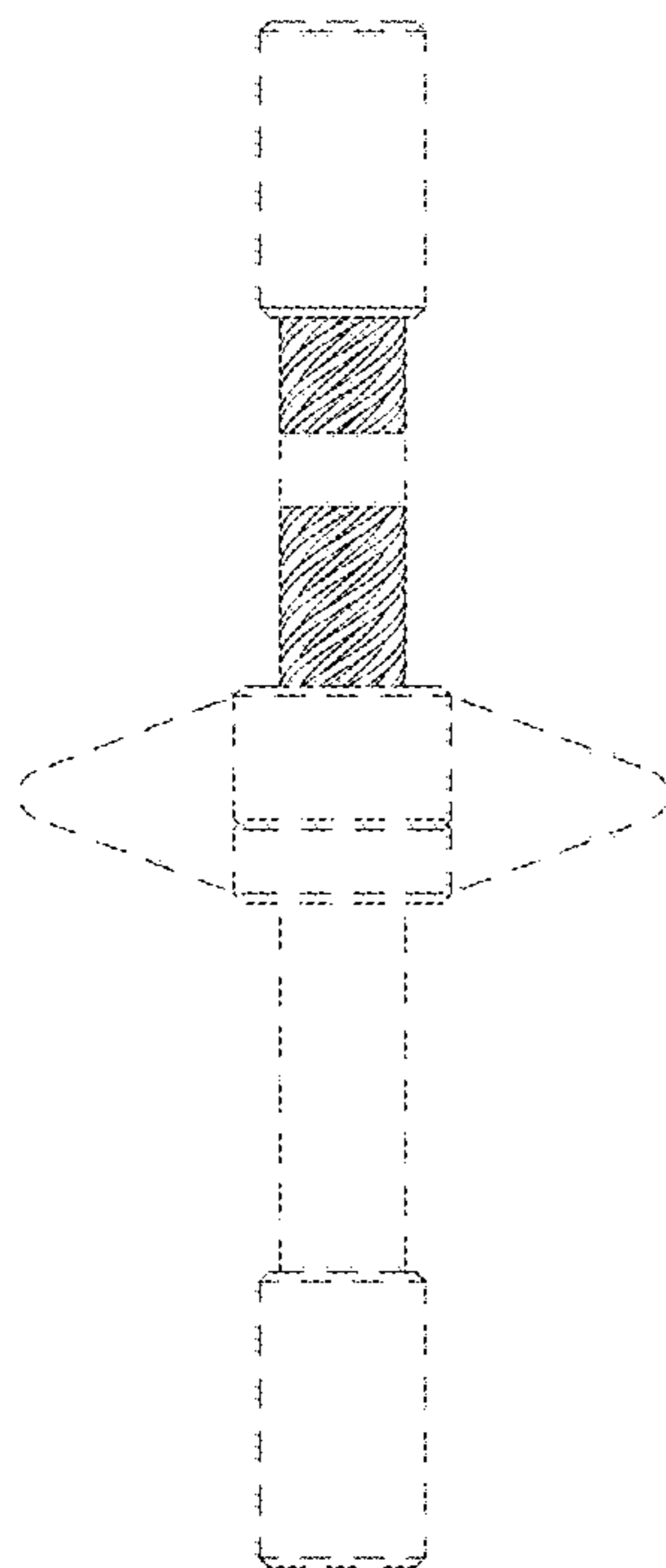


FIG. 11

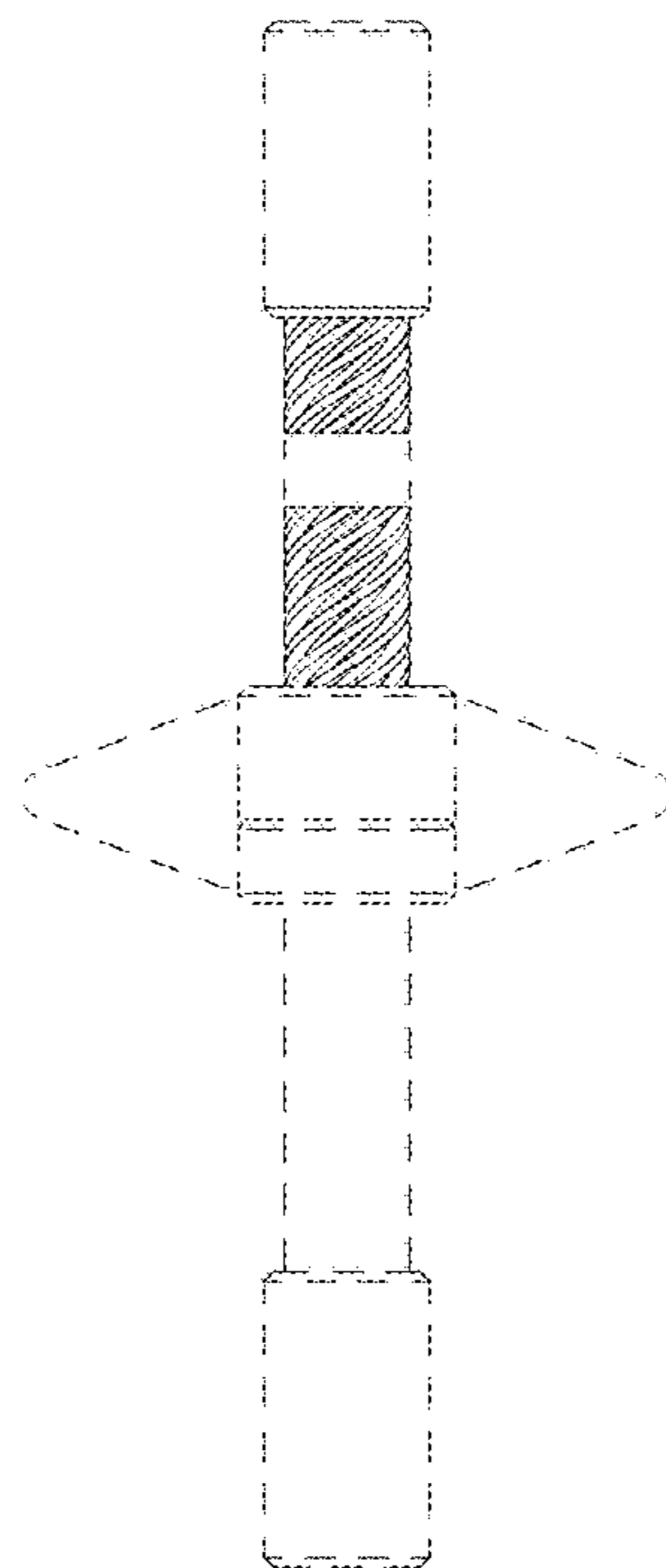


FIG. 12

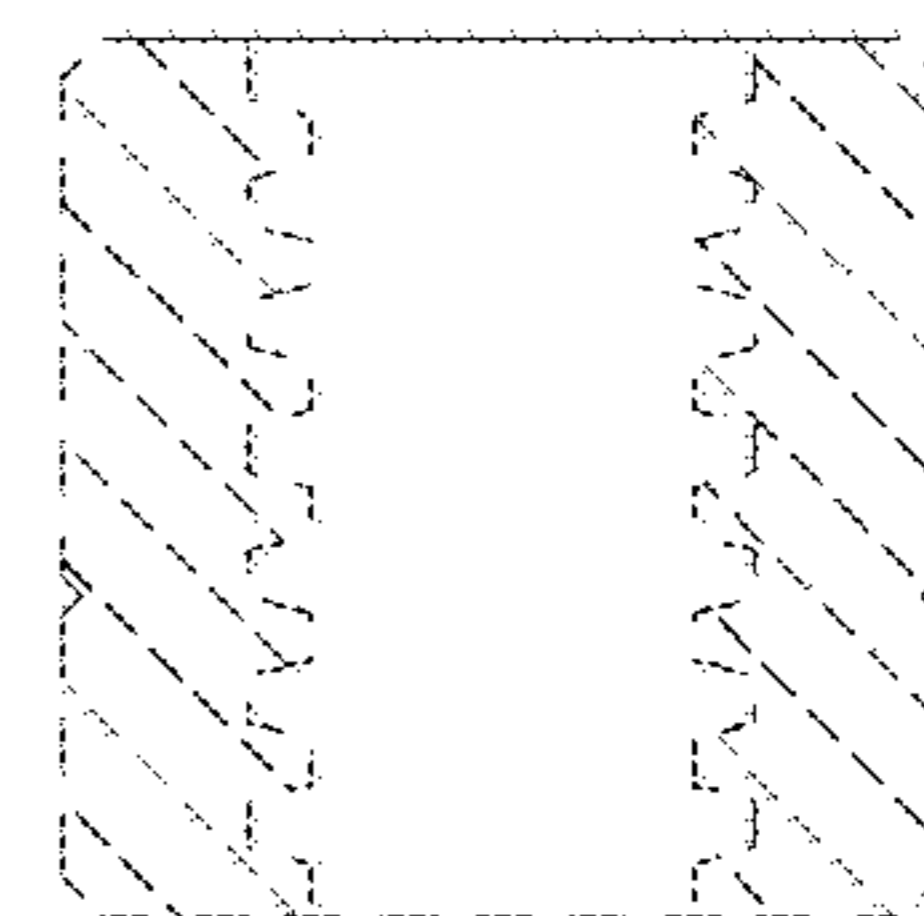


FIG. 14

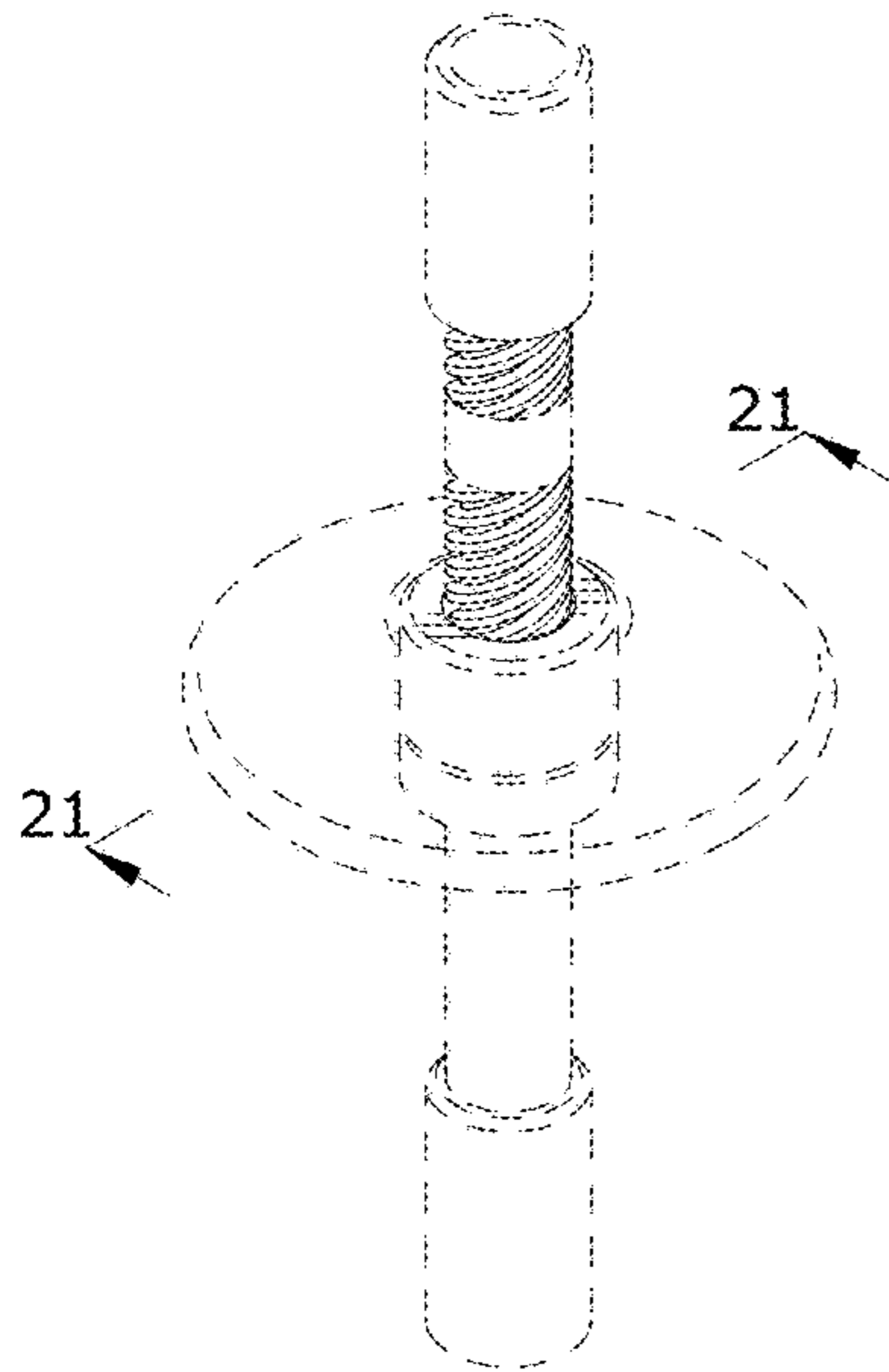


FIG. 15

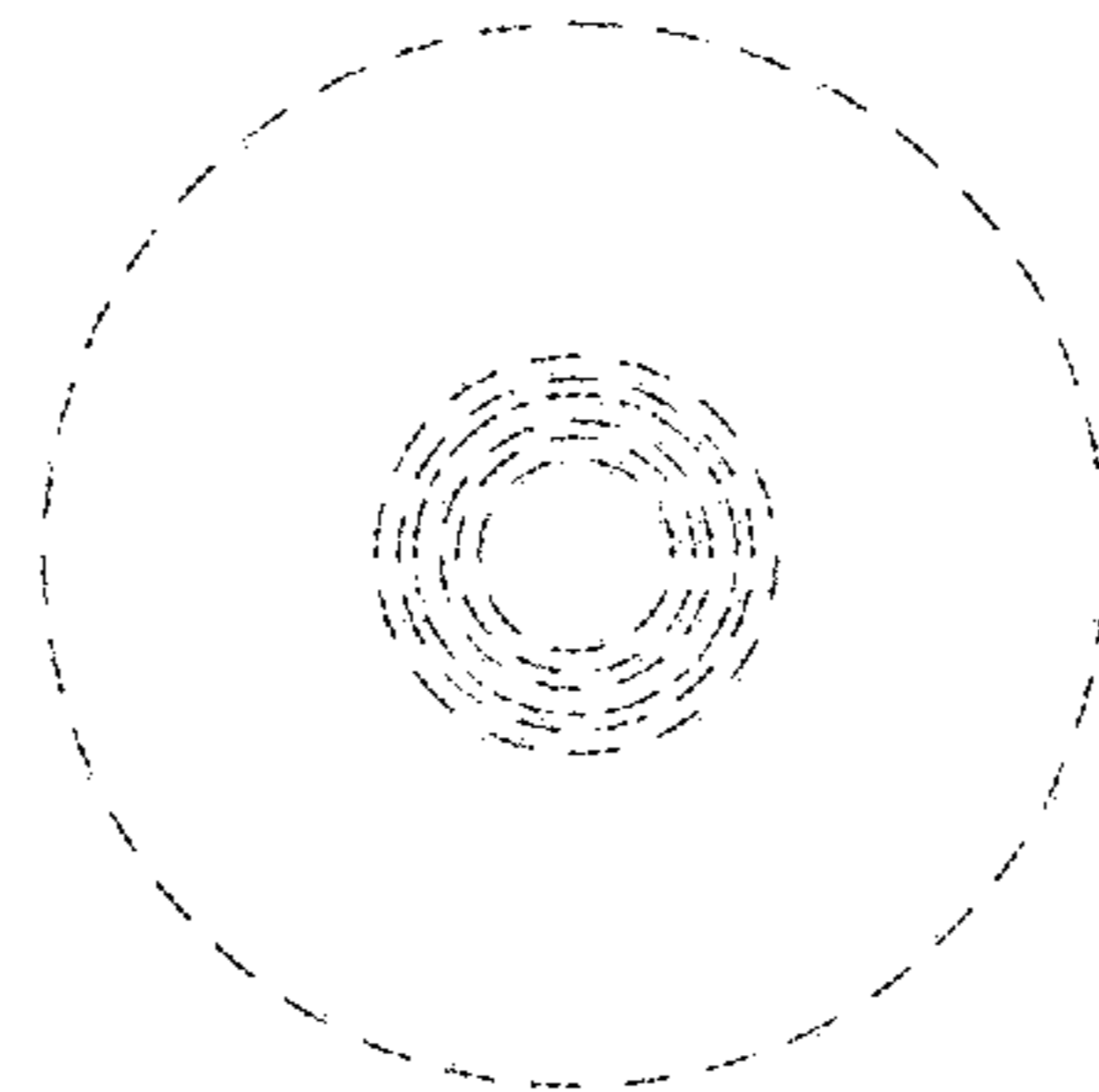


FIG. 16

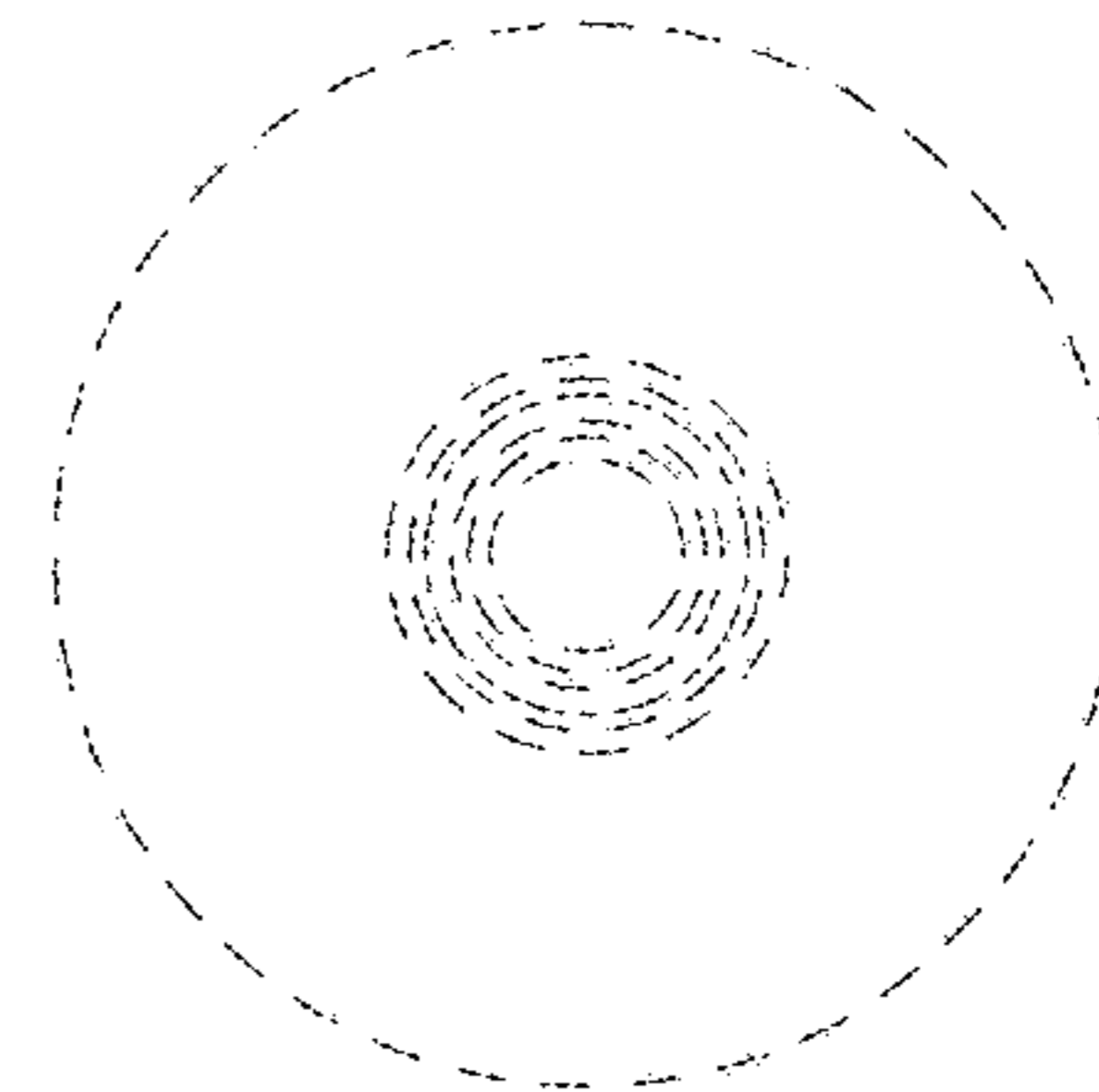


FIG. 17

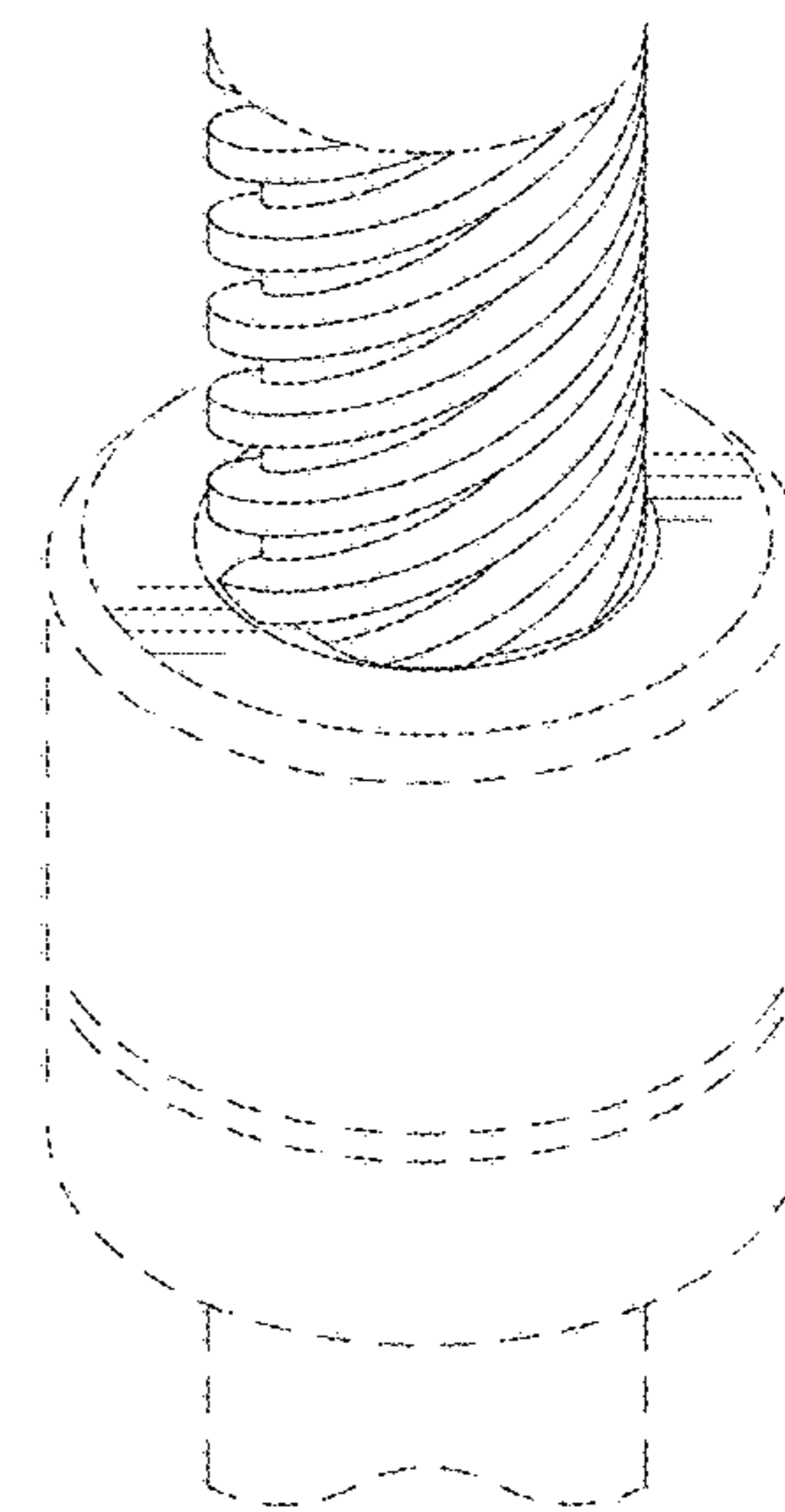


FIG. 20

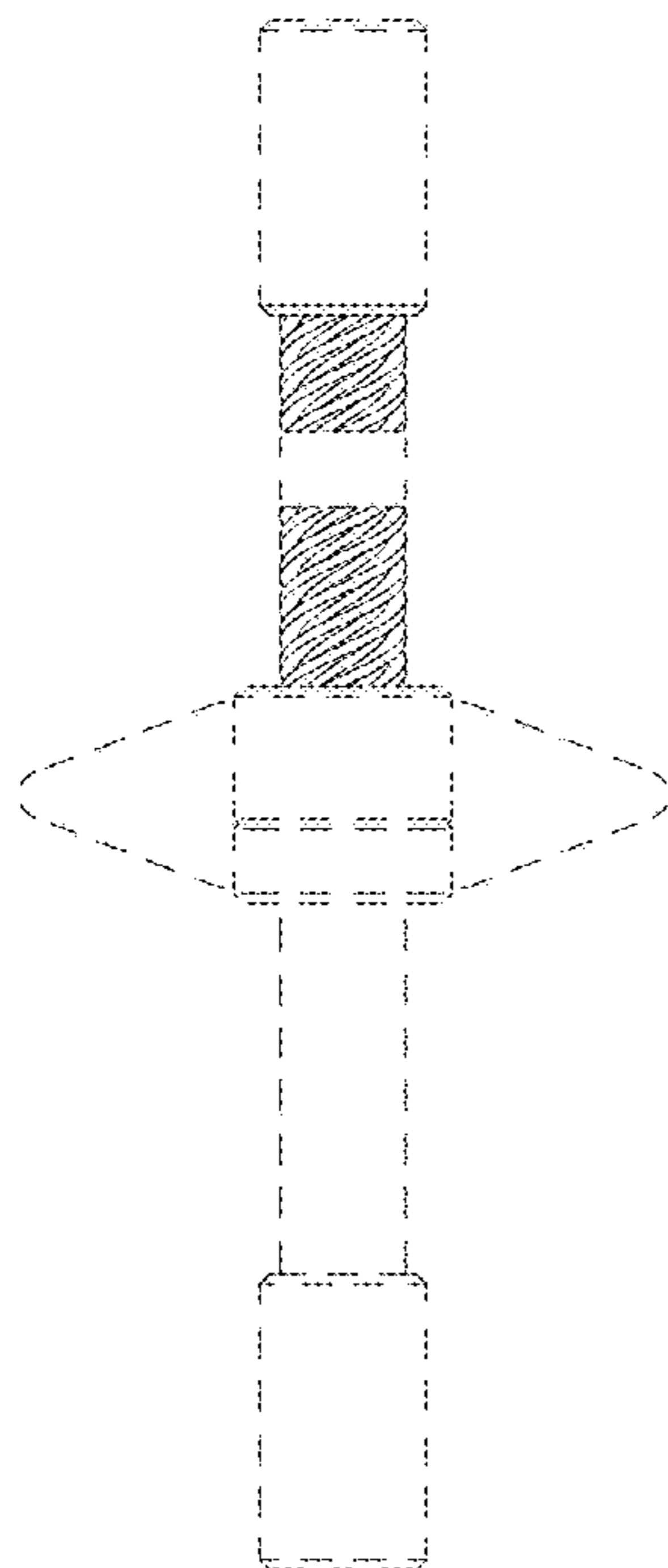


FIG. 18

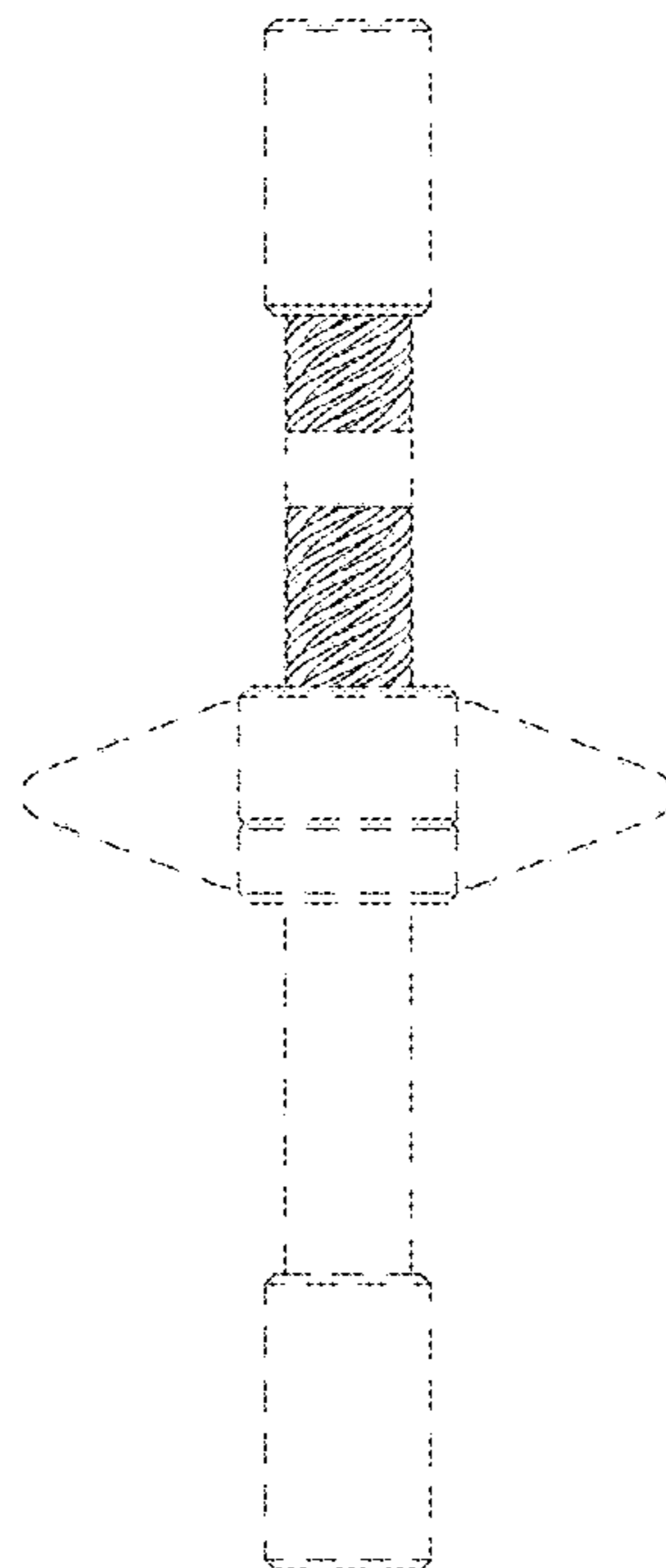


FIG. 19

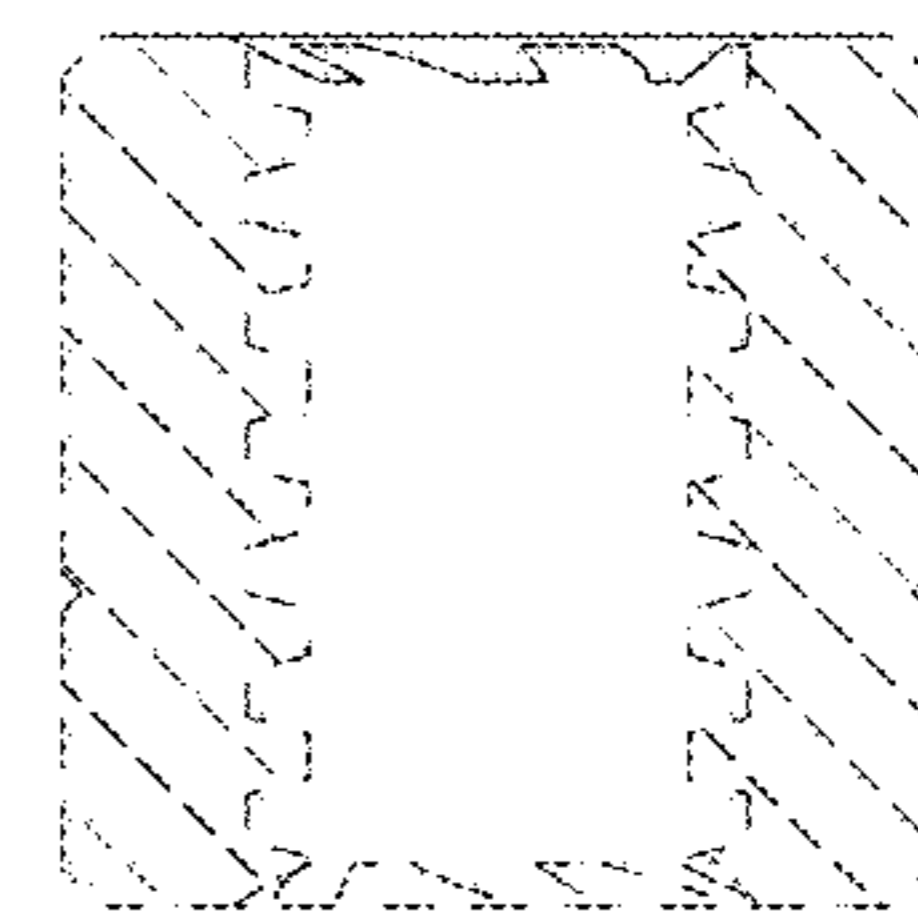


FIG. 21

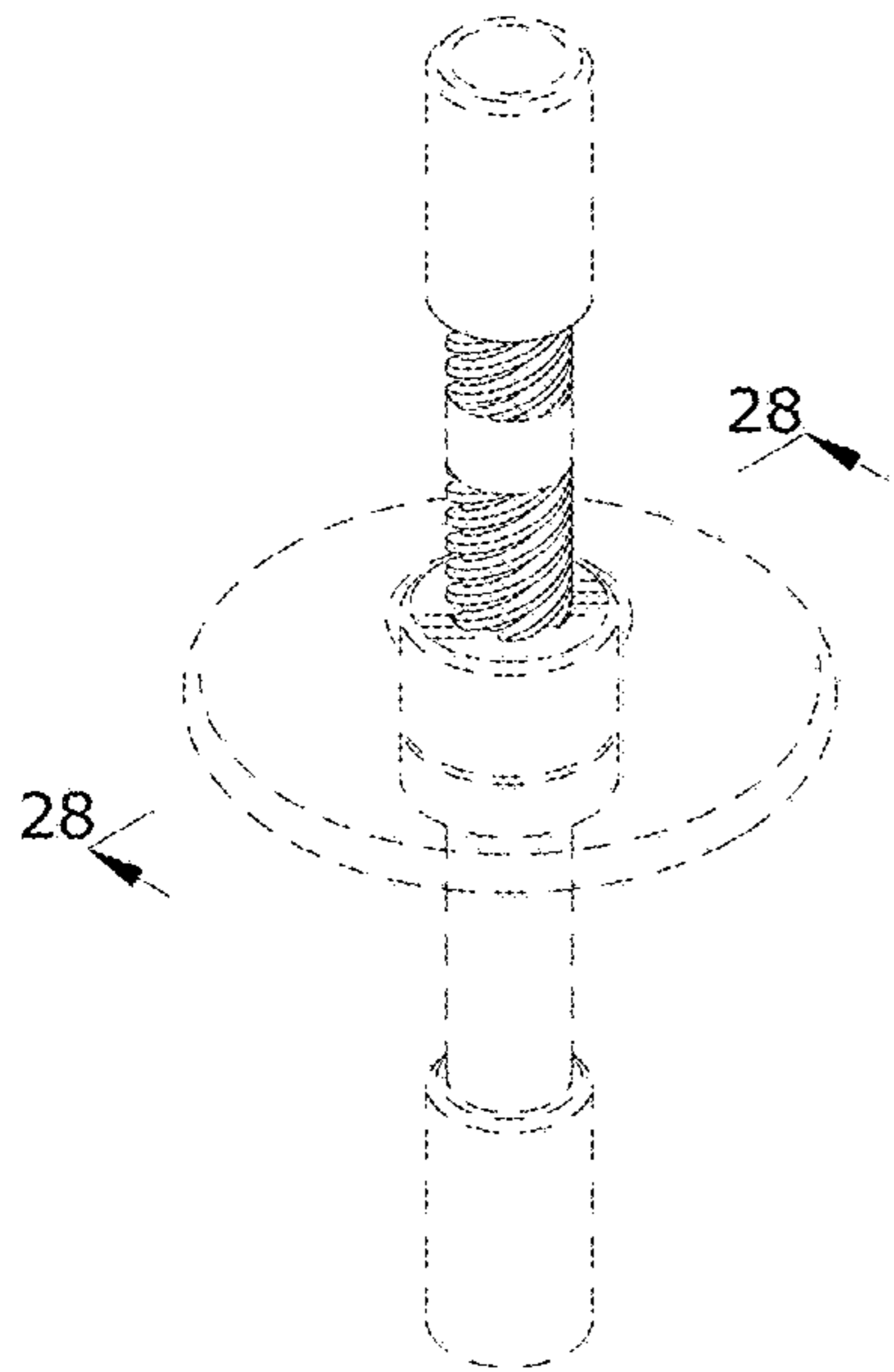


FIG. 22

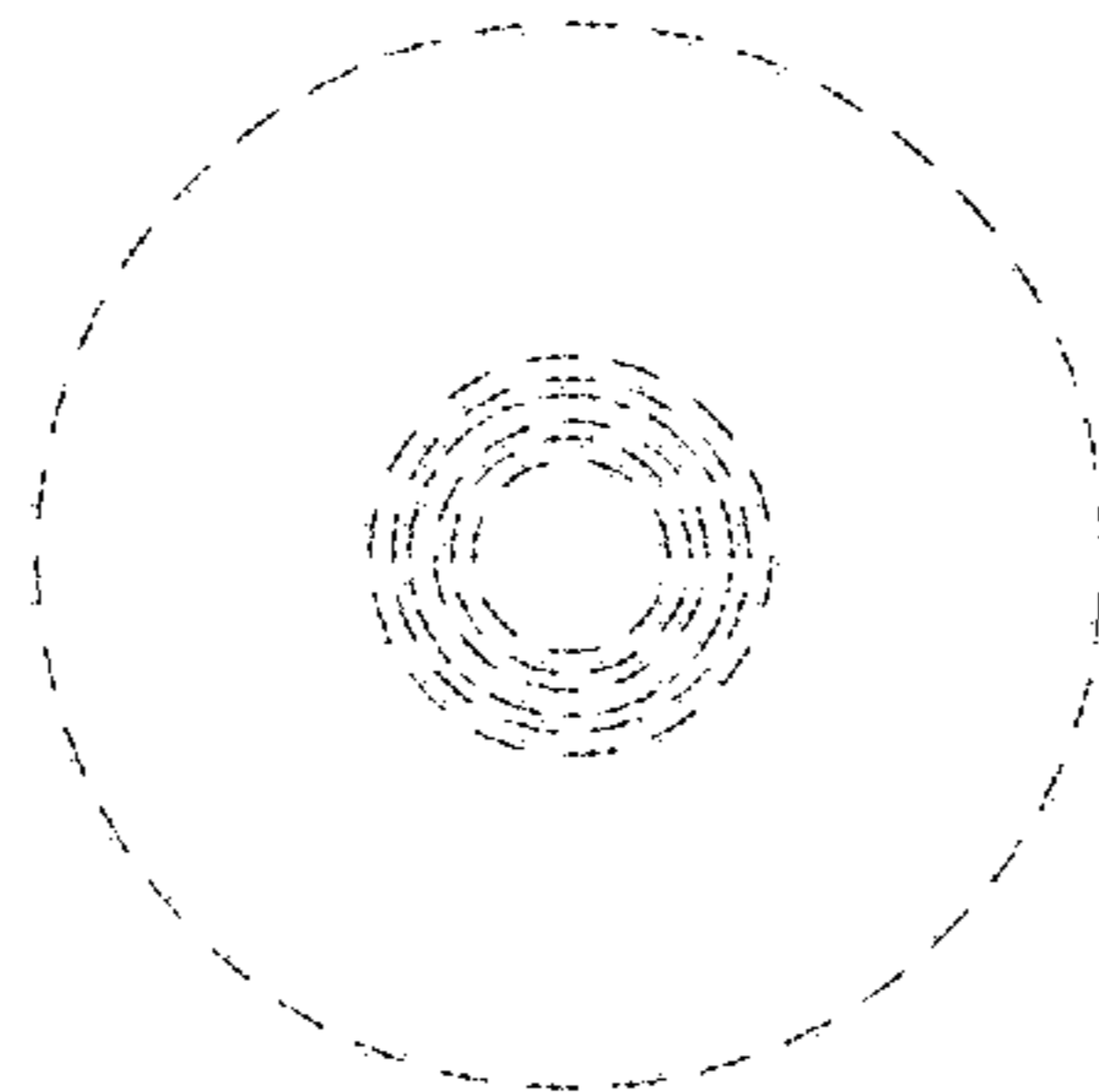


FIG. 23

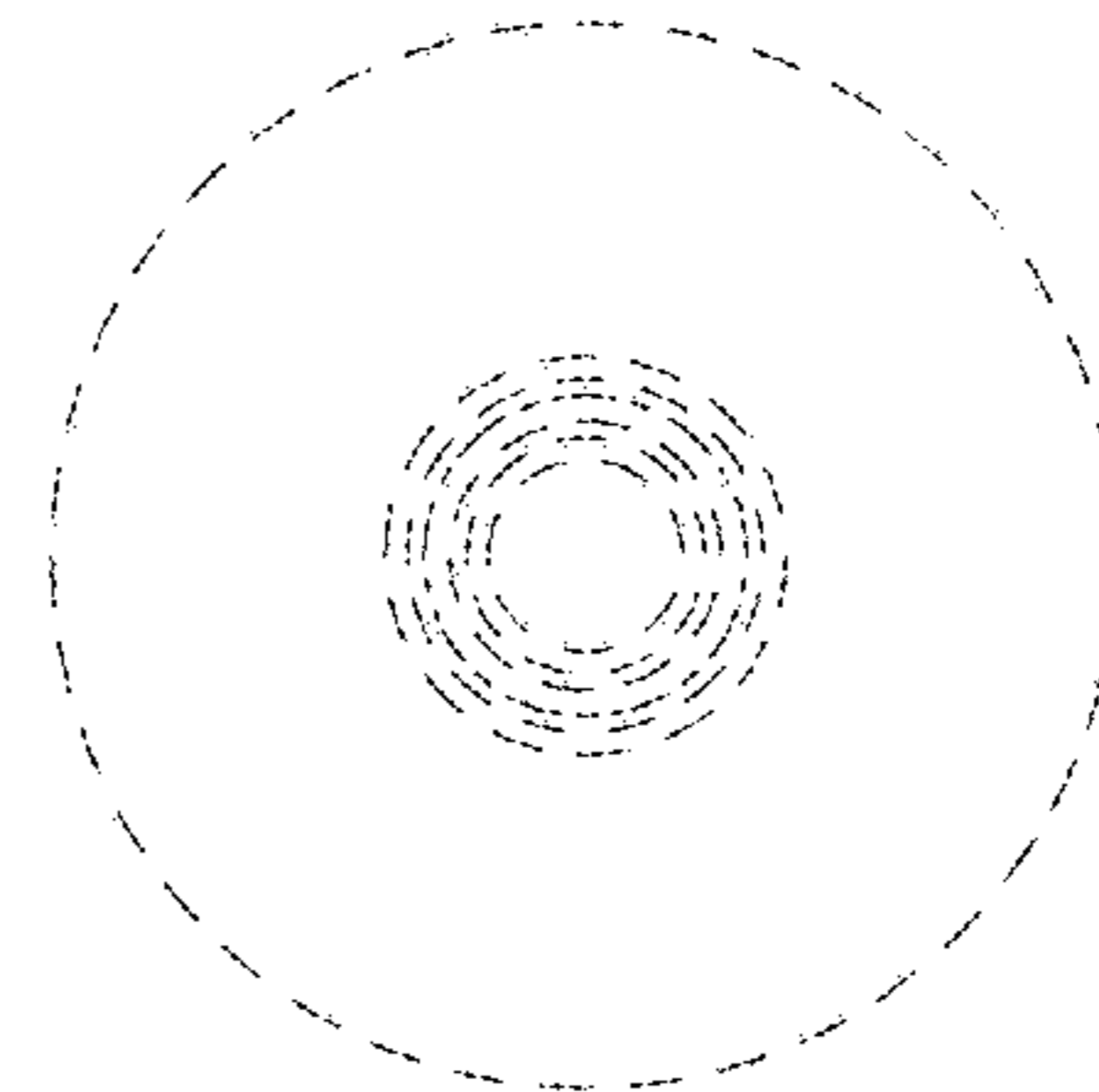


FIG. 24

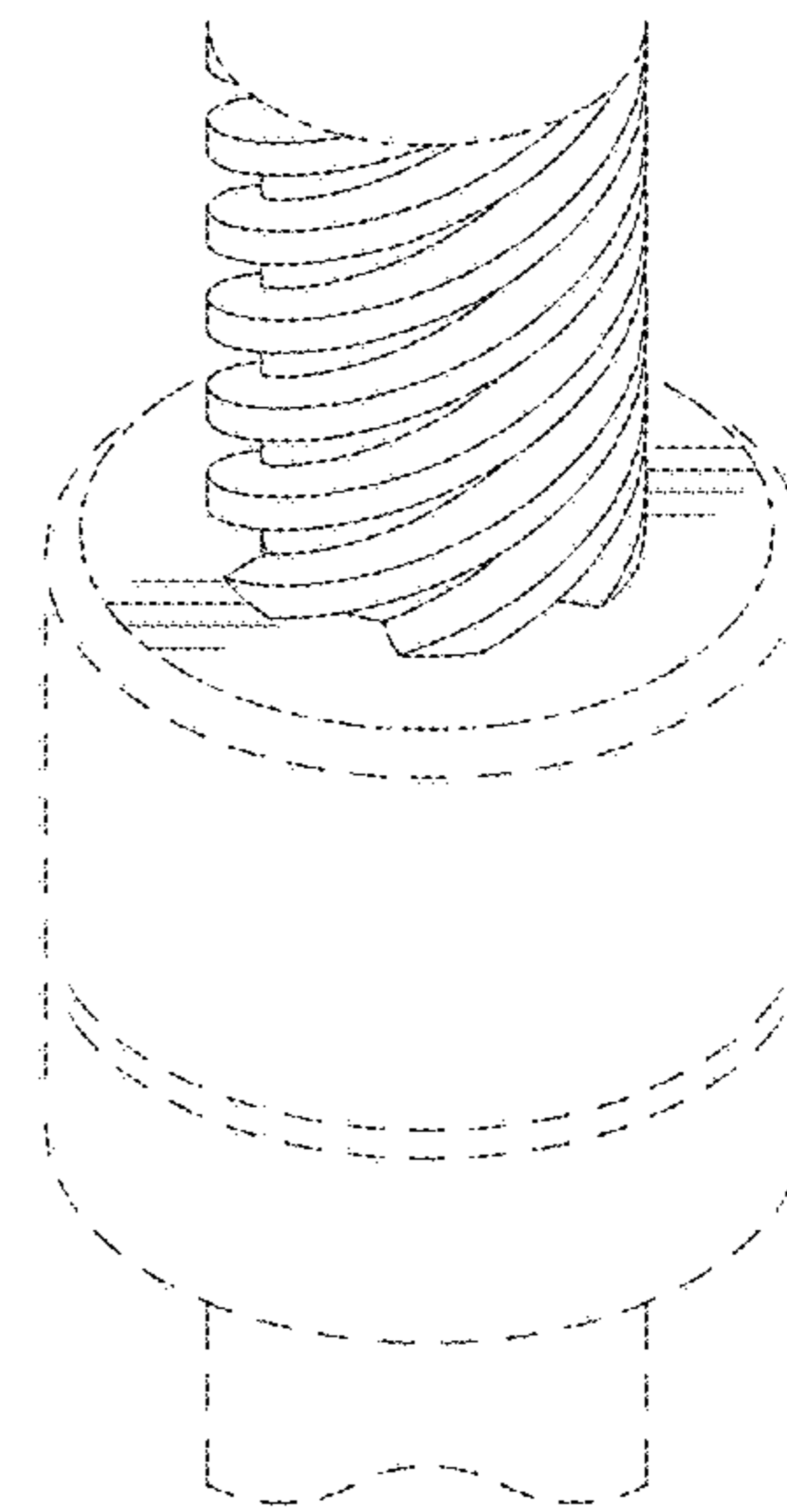


FIG. 27

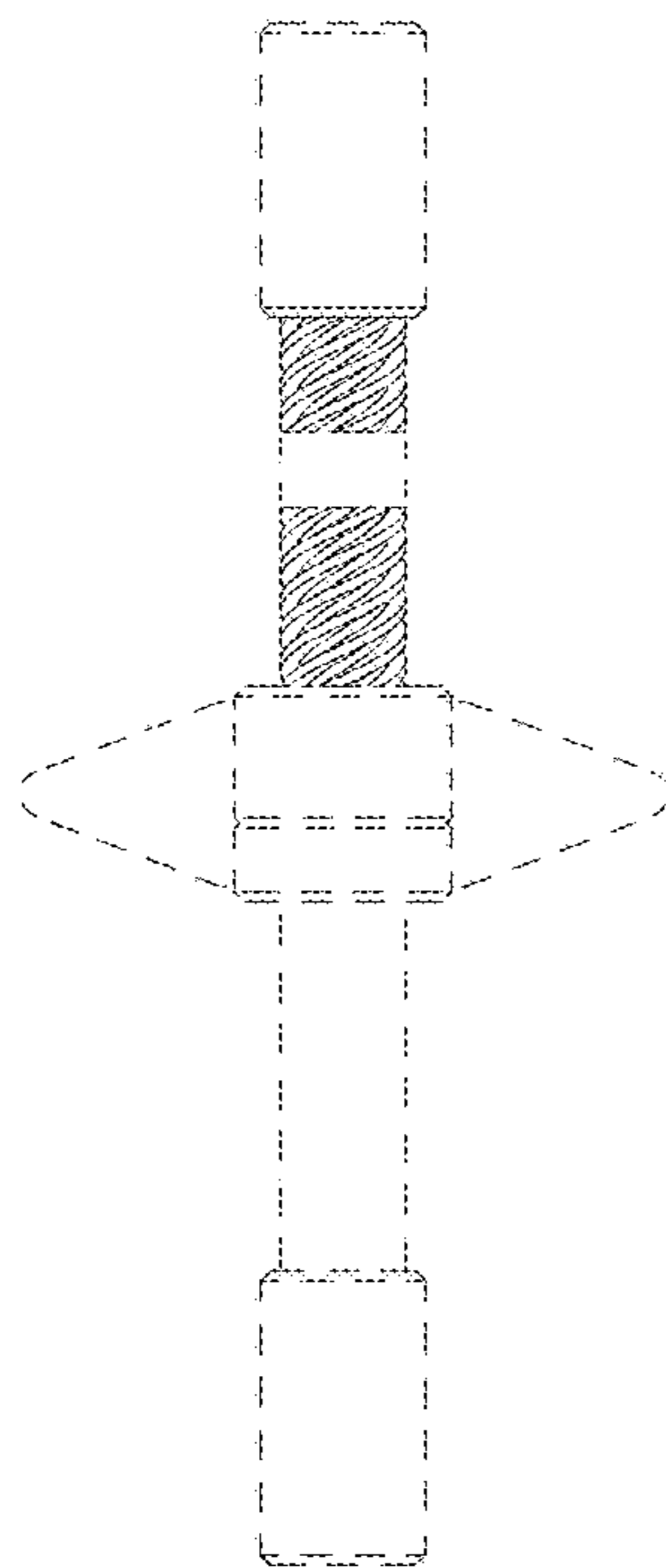


FIG. 25

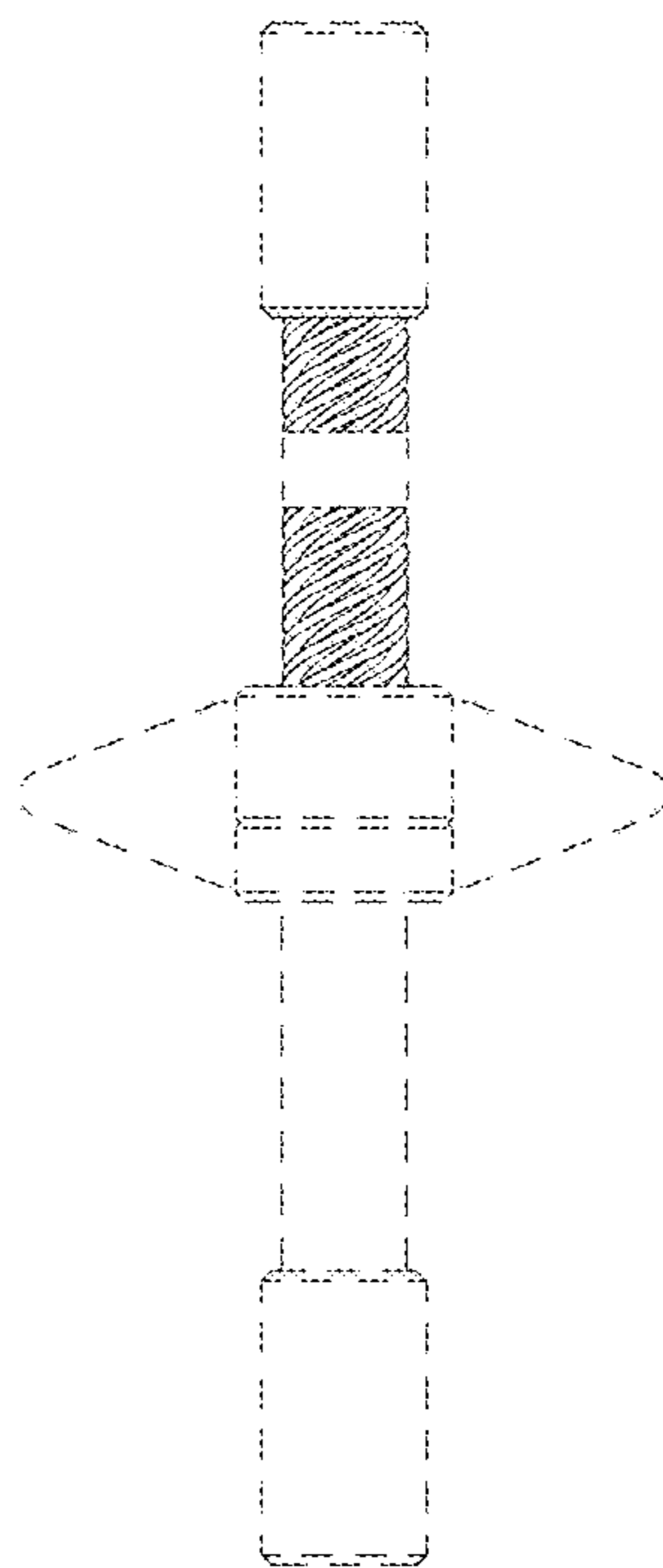


FIG. 26

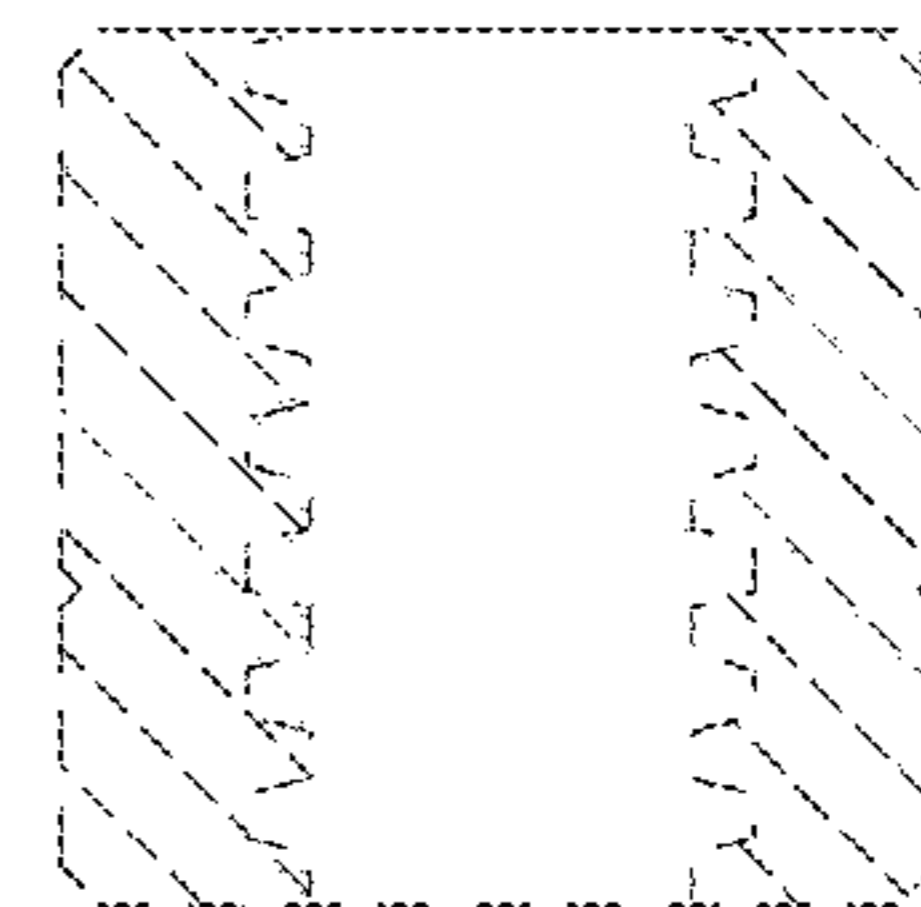


FIG. 28

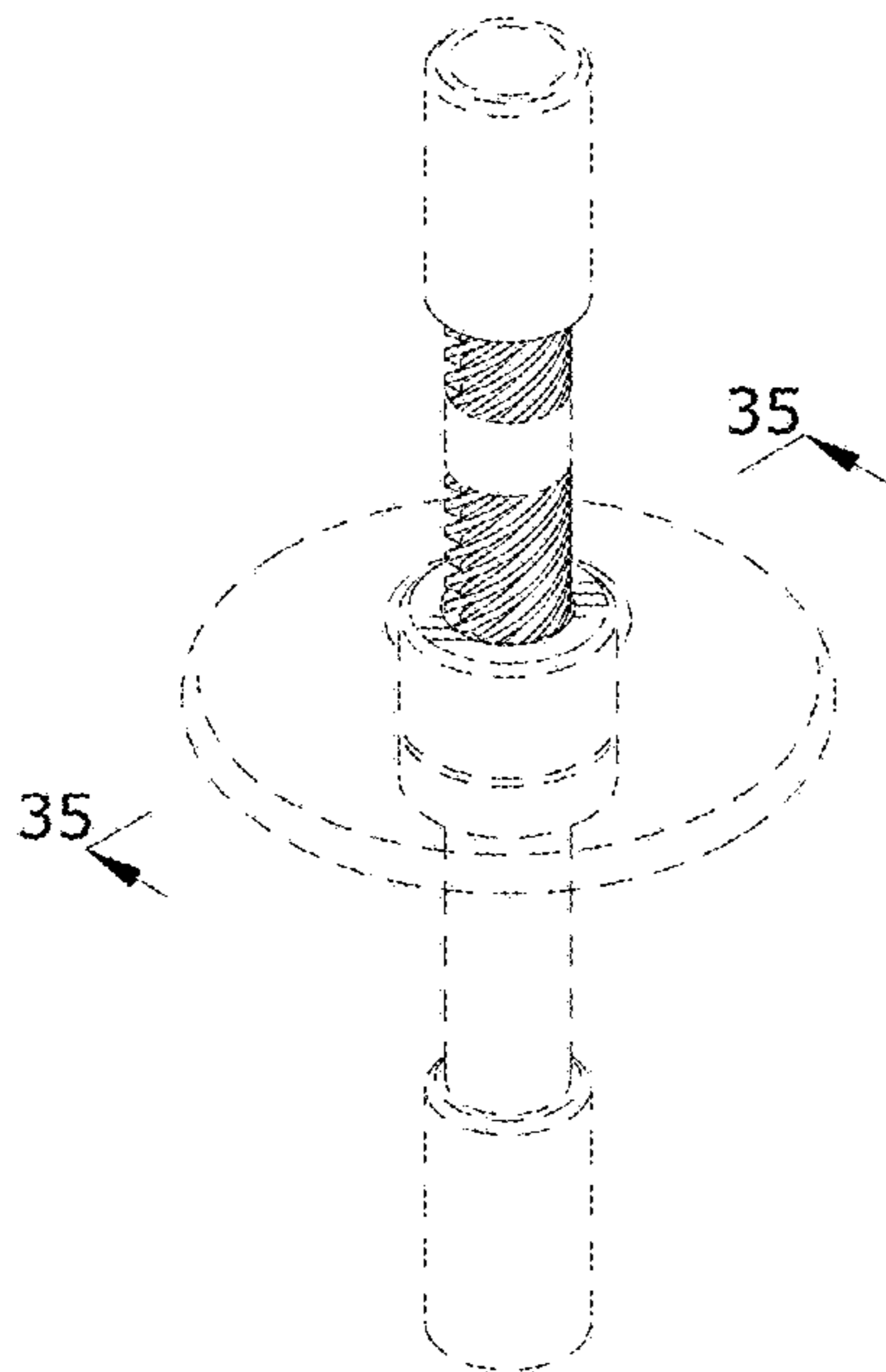


FIG. 29

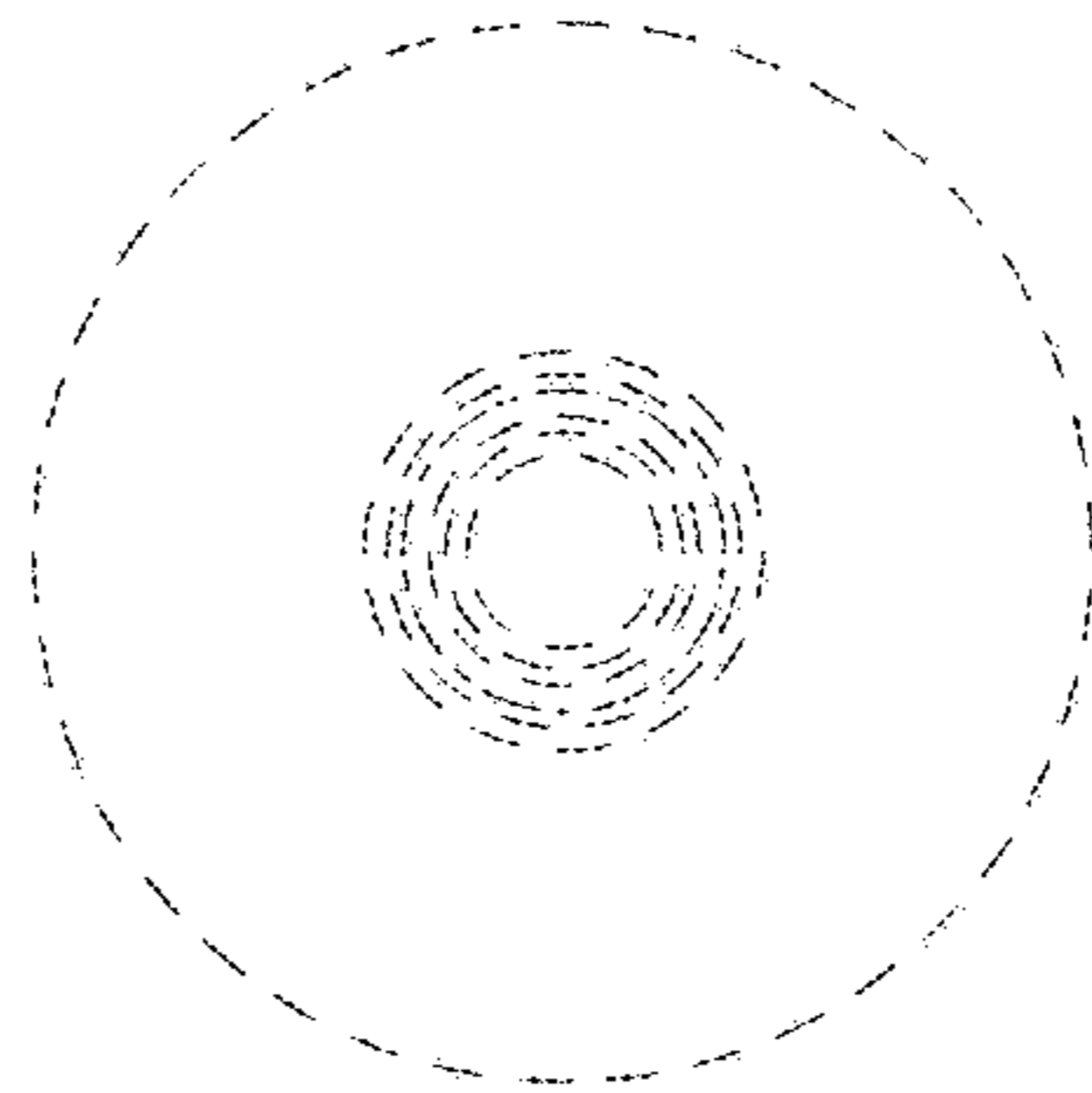


FIG. 30

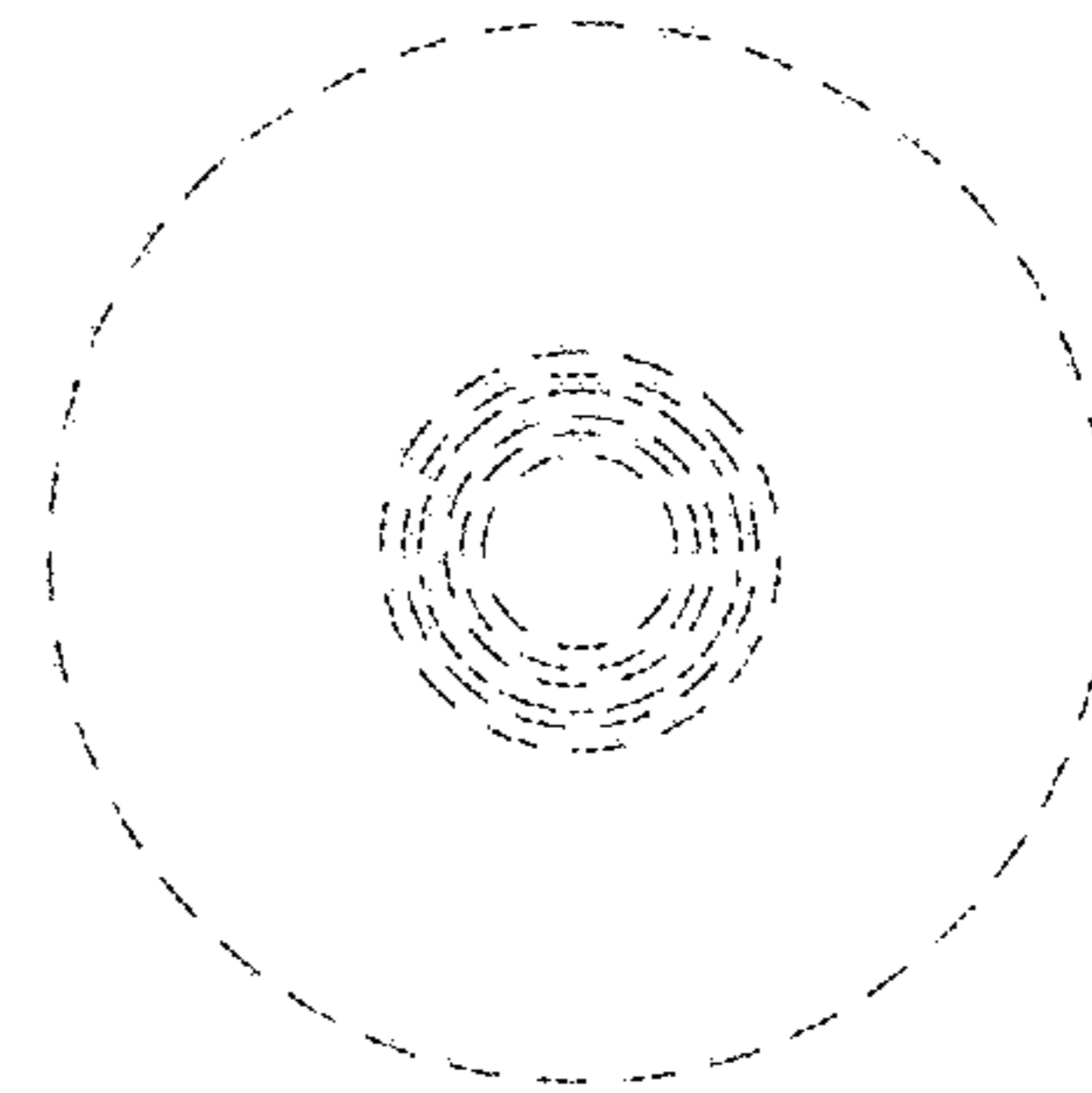


FIG. 31

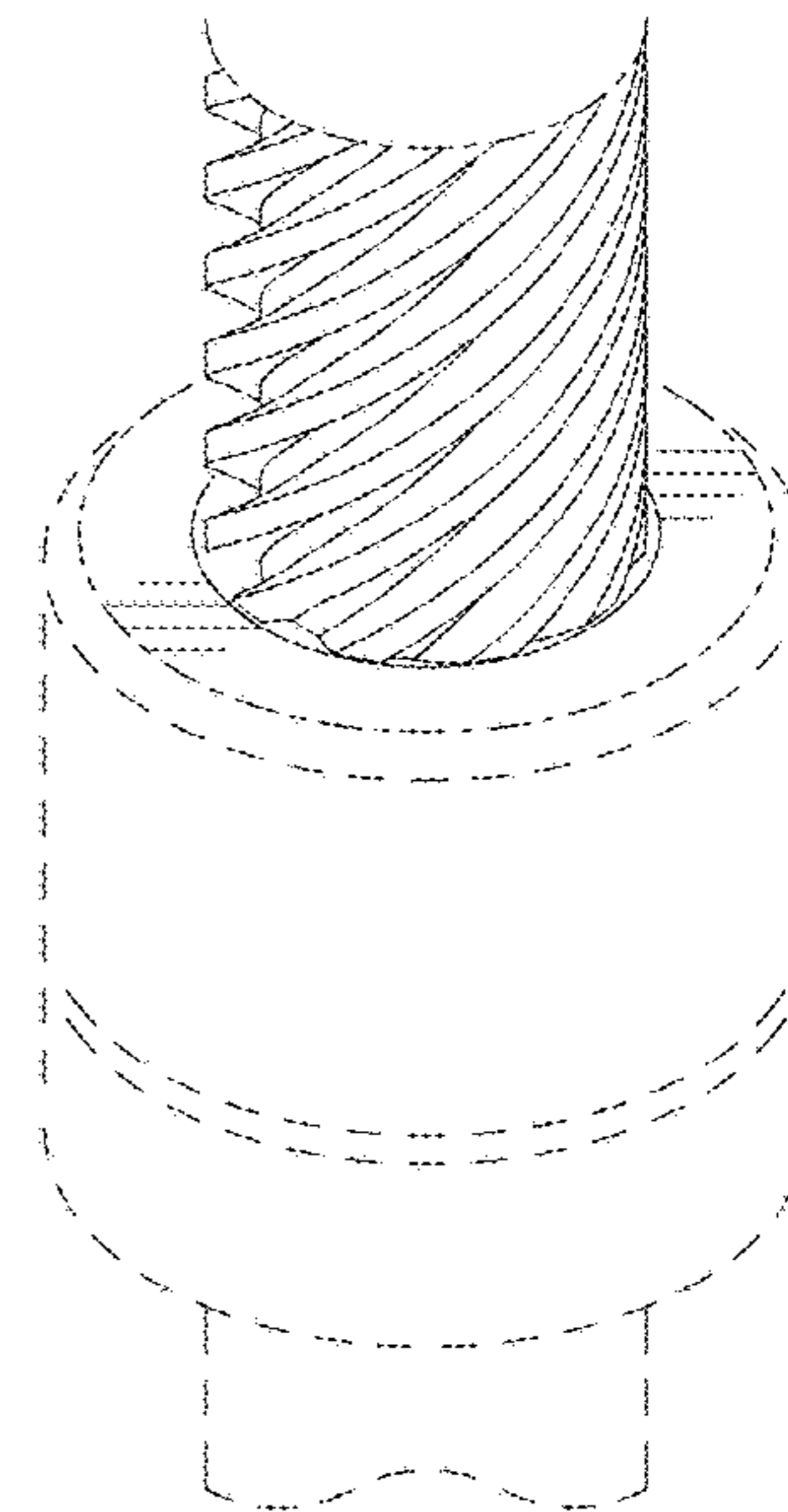


FIG. 34

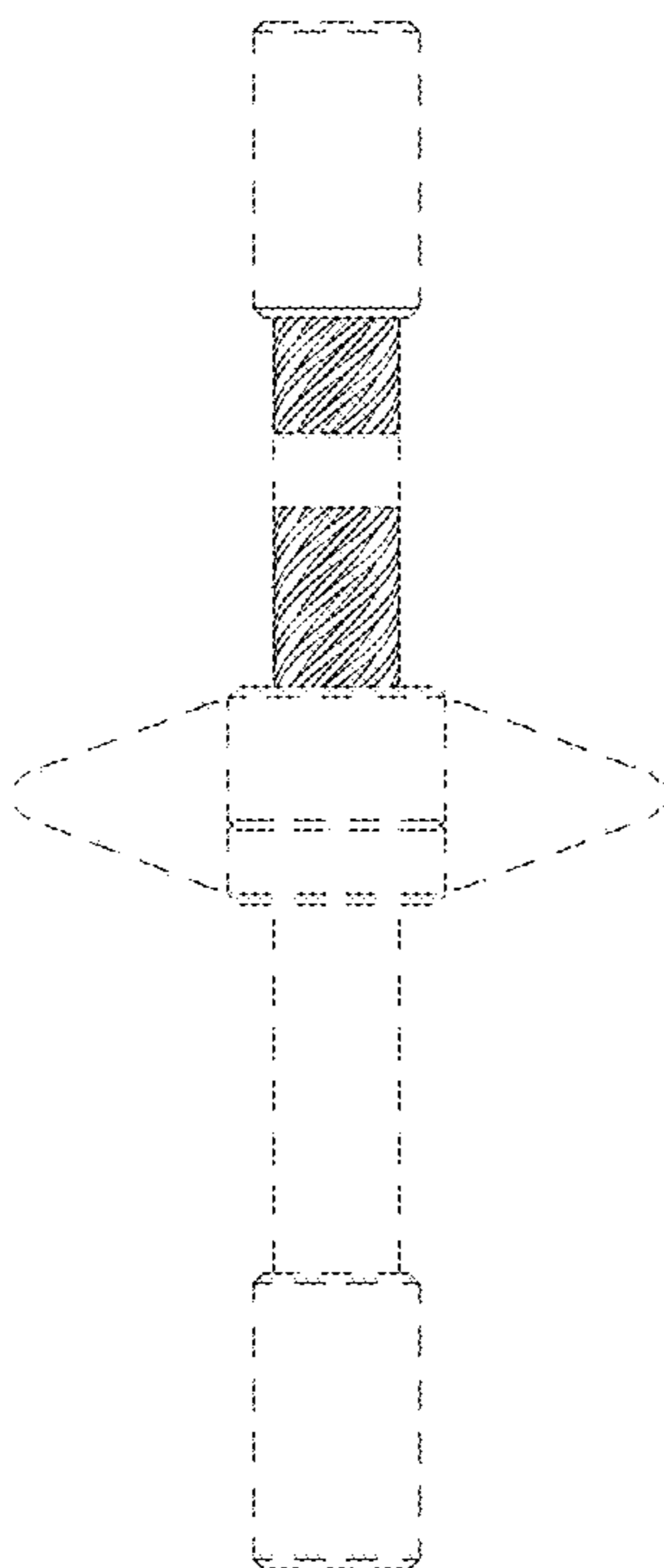


FIG. 32

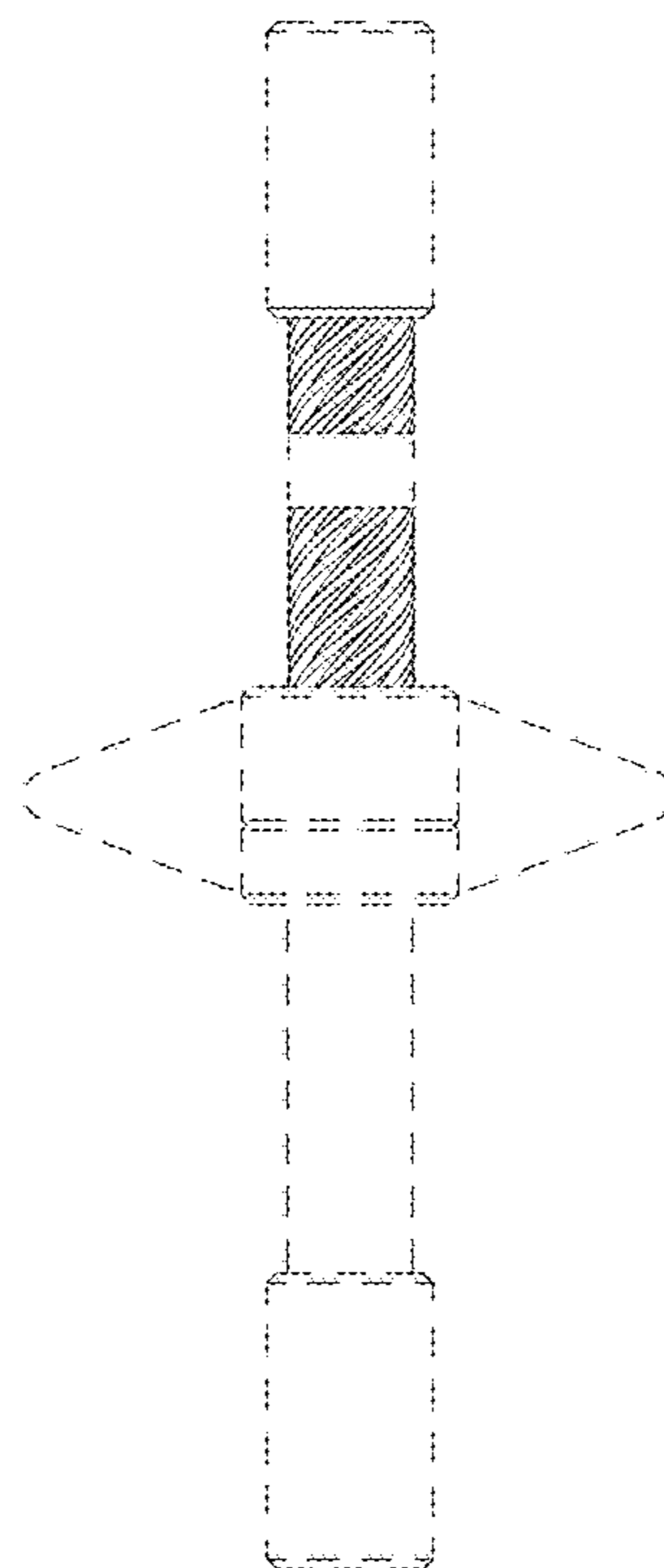


FIG. 33

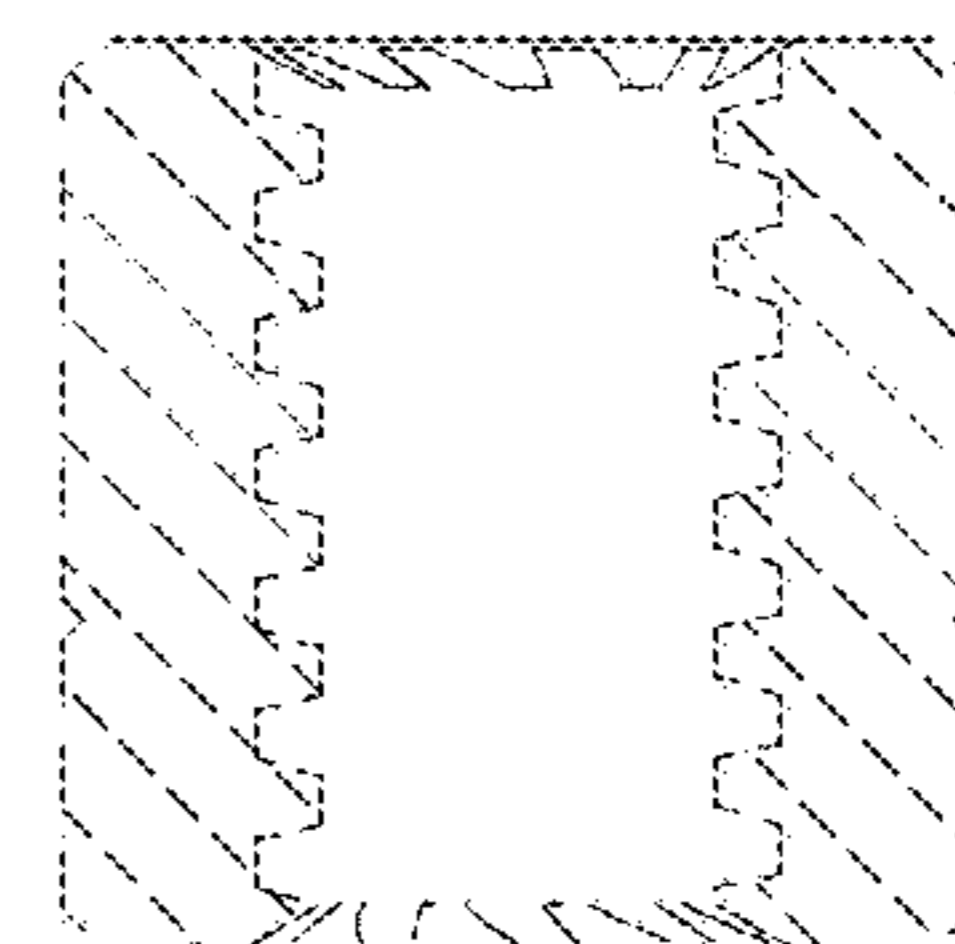


FIG. 35

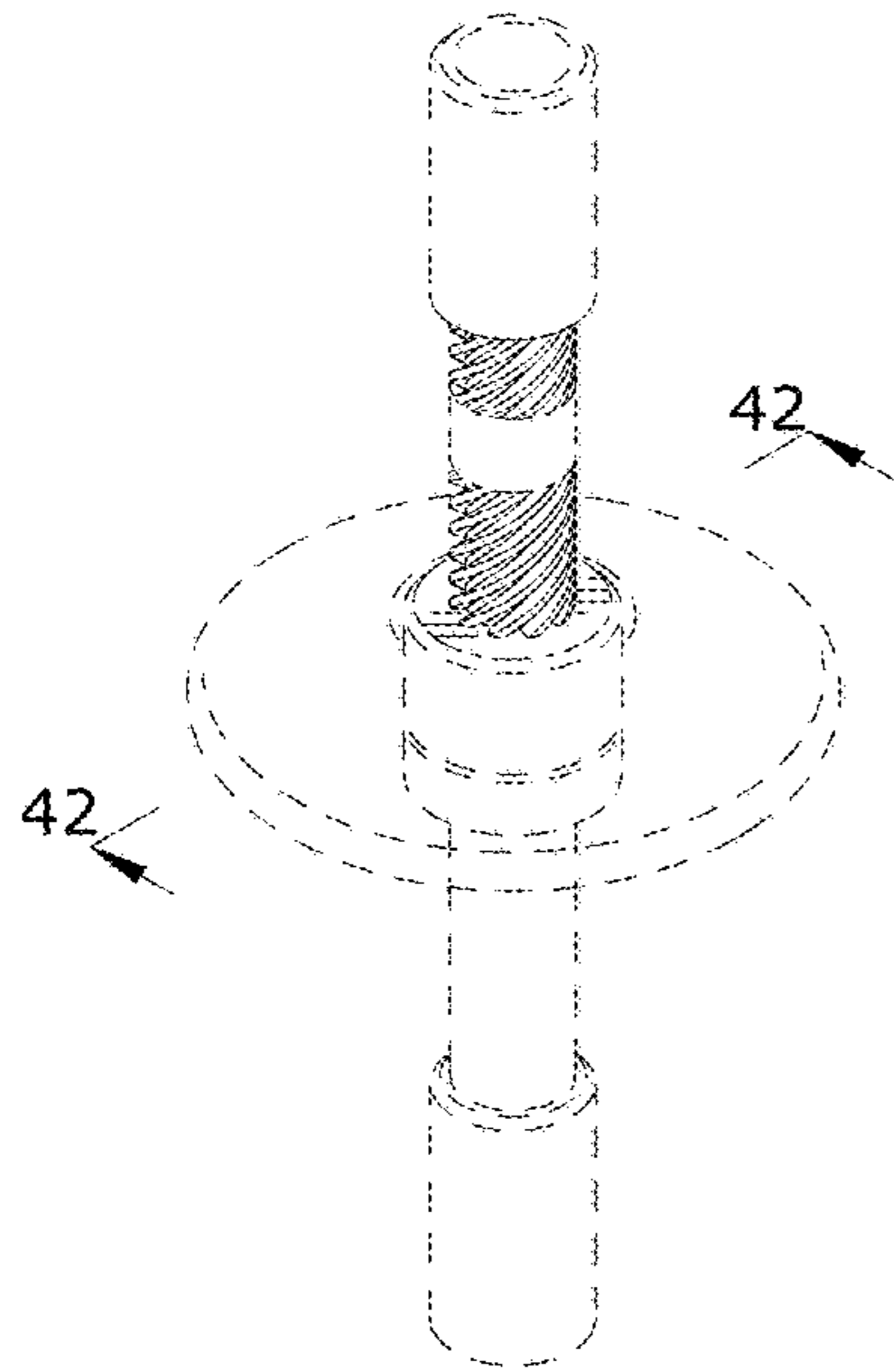


FIG. 36

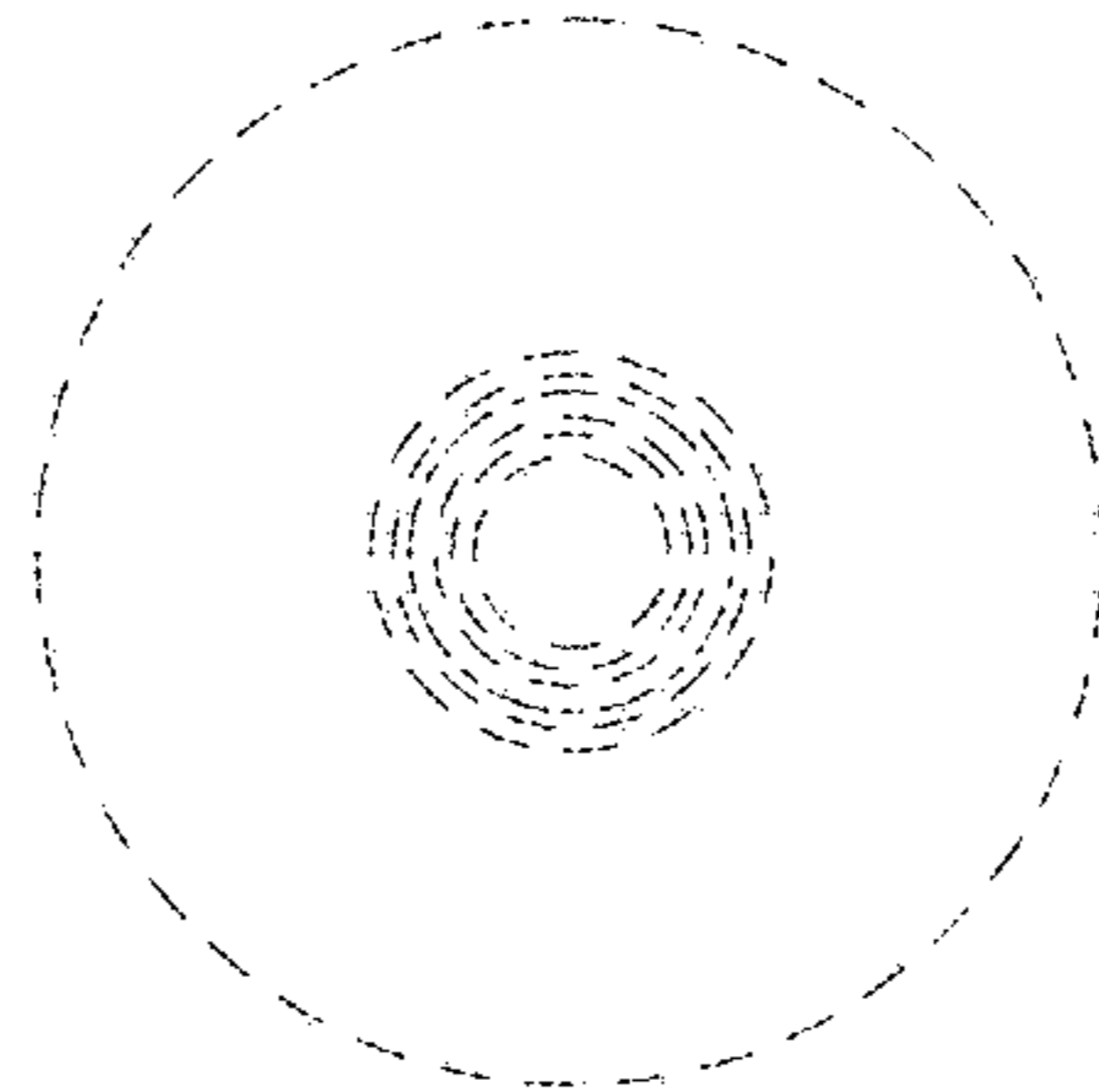


FIG. 37

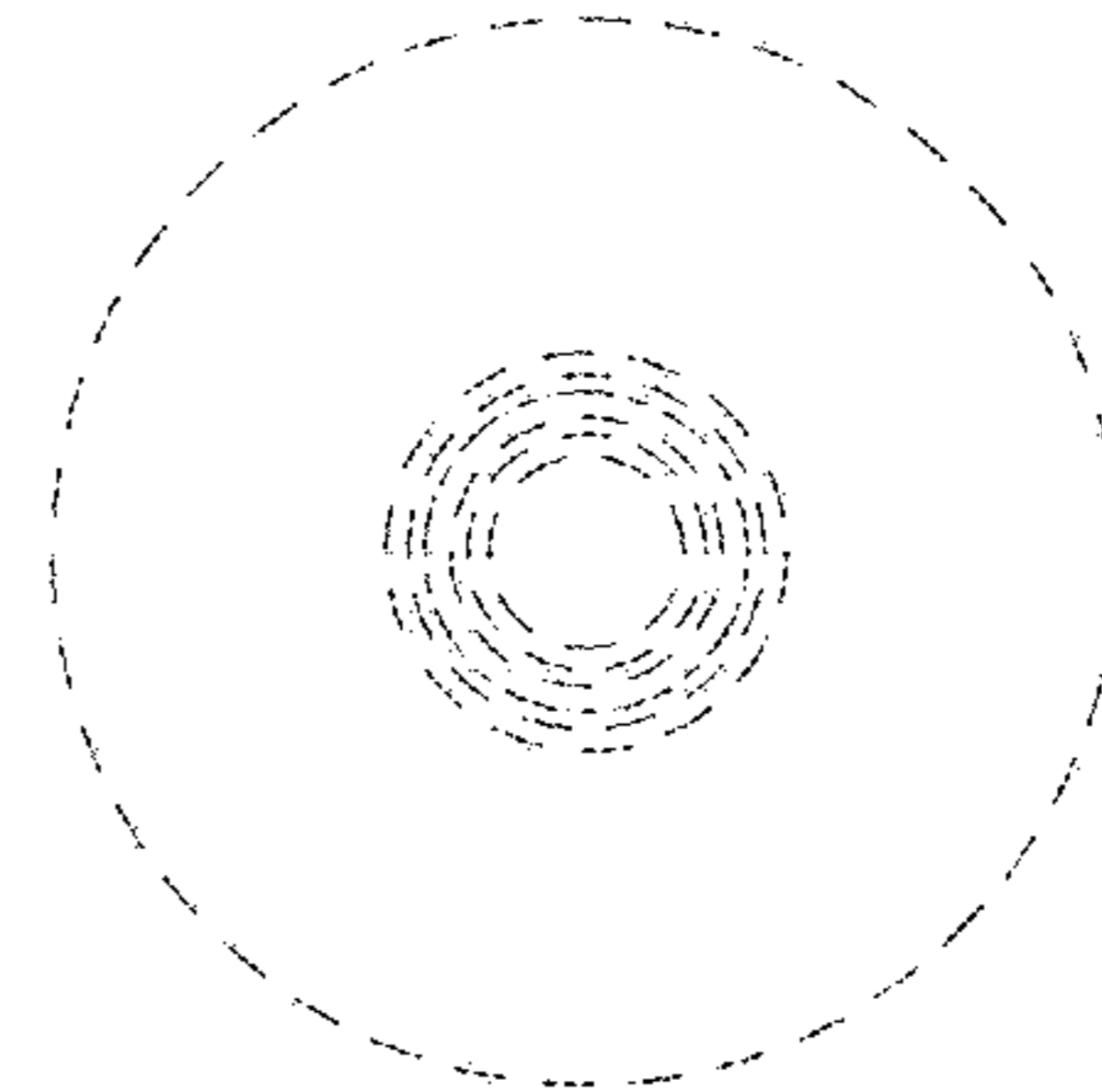


FIG. 38

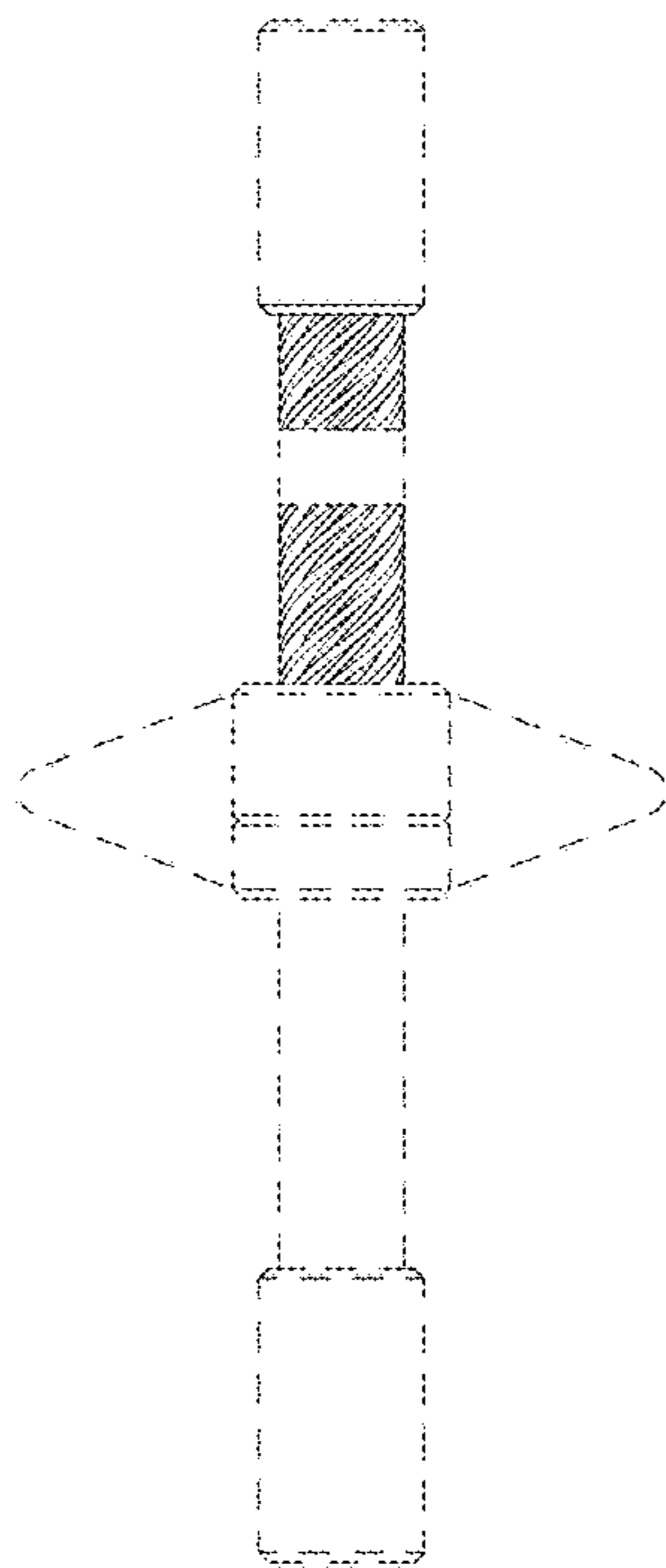


FIG. 39

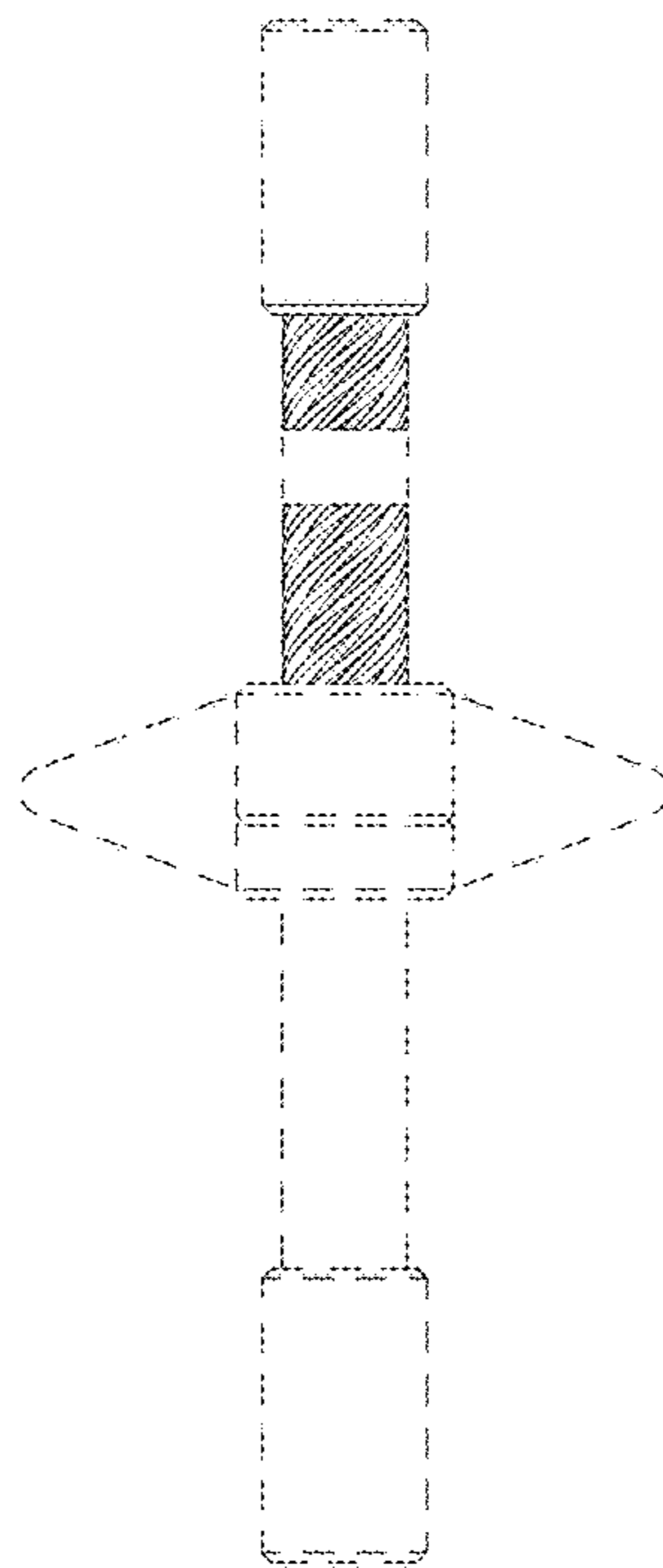


FIG. 40

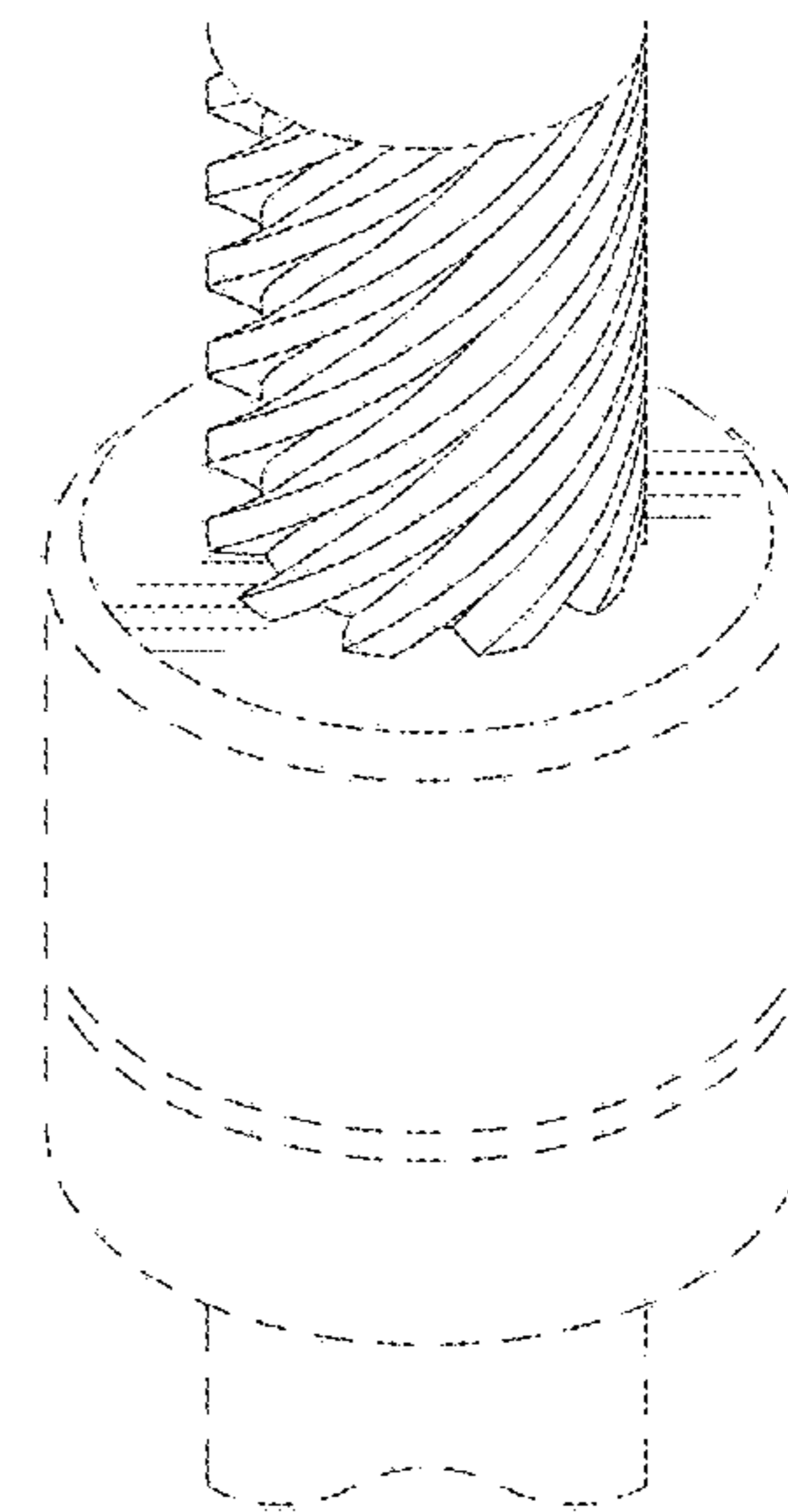


FIG. 41

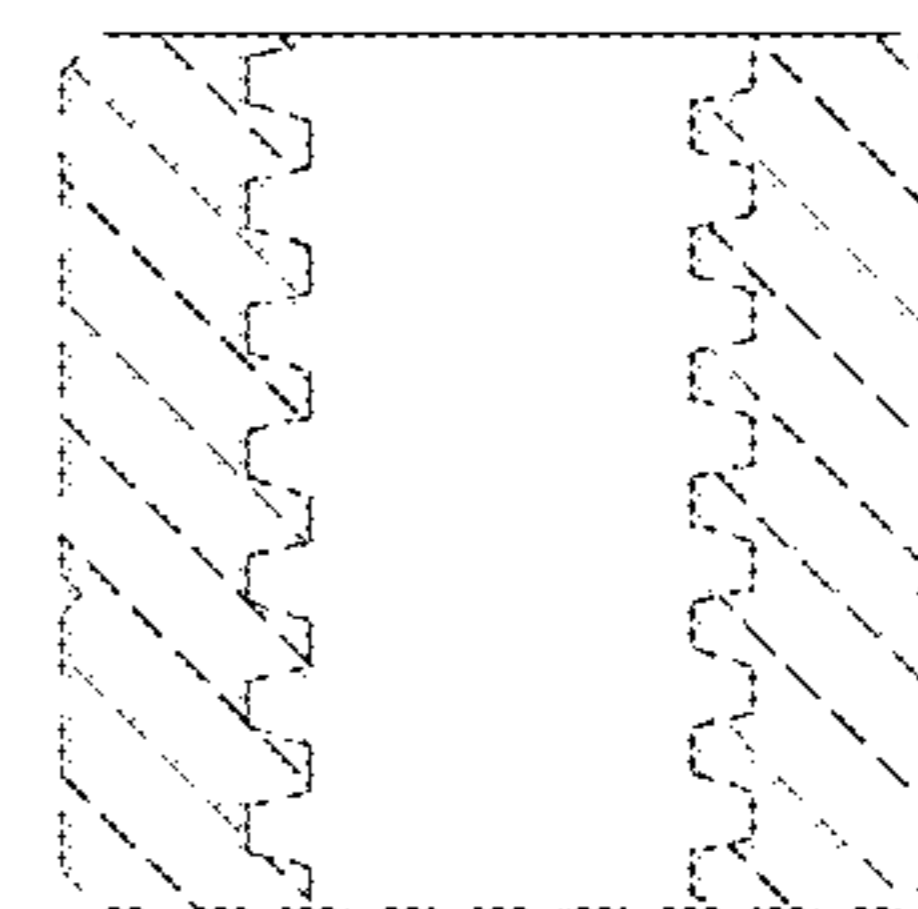


FIG. 42