



US00D843486S

(12) **United States Design Patent** (10) **Patent No.:** **US D843,486 S**
Alonso (45) **Date of Patent:** **** Mar. 19, 2019**

(54) **DELTA WING KITE**
(71) Applicant: **Francis A. Alonso**, Santa Monica, CA (US)
(72) Inventor: **Francis A. Alonso**, Santa Monica, CA (US)
(**) Term: **15 Years**
(21) Appl. No.: **29/611,385**
(22) Filed: **Jul. 20, 2017**
(51) **LOC (11) Cl.** **21-01**
(52) **U.S. Cl.**
USPC **D21/445**
(58) **Field of Classification Search**
USPC D21/437-454; D12/16.1, 319-345
CPC B64C 31/06; B64C 27/52; B64C 31/02
See application file for complete search history.

3,740,008 A 6/1973 Grauel
3,893,641 A 7/1975 Sutton et al.
D237,291 S * 10/1975 Meffert D12/333
3,951,363 A 4/1976 Grauel
D240,437 S * 7/1976 Rizzo D21/447
D240,438 S * 7/1976 Rizzo D21/447
D240,439 S * 7/1976 Rizzo D21/447
D240,440 S * 7/1976 Rizzo D21/447
D240,441 S * 7/1976 Rizzo D21/447
D244,265 S * 5/1977 Opfer D12/333
4,076,189 A 2/1978 Powell
D257,269 S * 10/1980 Miller D21/447
D270,259 S * 8/1983 Hermann D21/449
D278,226 S * 4/1985 Henderson D12/319
D278,700 S * 5/1985 Powers D12/319
D279,492 S * 7/1985 Eddins D21/449

(Continued)

FOREIGN PATENT DOCUMENTS

JP 531259 A 2/1993
Primary Examiner — Marissa J Cash
(74) *Attorney, Agent, or Firm* — Steinfl + Bruno, LLP

(56) **References Cited**

U.S. PATENT DOCUMENTS

607,129 A 7/1898 Potter
1,223,163 A 4/1917 Lang
1,328,143 A 1/1920 Fergusson
D149,848 S * 6/1948 Struck D21/447
D153,590 S * 5/1949 Eichman 244/121
2,533,570 A 12/1950 Foy
D169,962 S * 7/1953 Burnelli D12/333
D170,037 S * 7/1953 Williams D12/333
D170,751 S * 11/1953 Emery D12/331
D171,293 S * 1/1954 Boyd D12/16.1
D172,465 S * 6/1954 Del Mar D12/333
D184,453 S * 2/1959 Noble D12/321
2,873,077 A 2/1959 Corbin
D185,535 S * 6/1959 Coleman D12/333
2,988,309 A 6/1961 Pohl
D194,445 S * 1/1963 Walker 446/230
D198,881 S * 8/1964 King D12/320
D200,368 S * 2/1965 Cohen D12/333
D219,042 S * 10/1970 King D21/448

(57) **CLAIM**

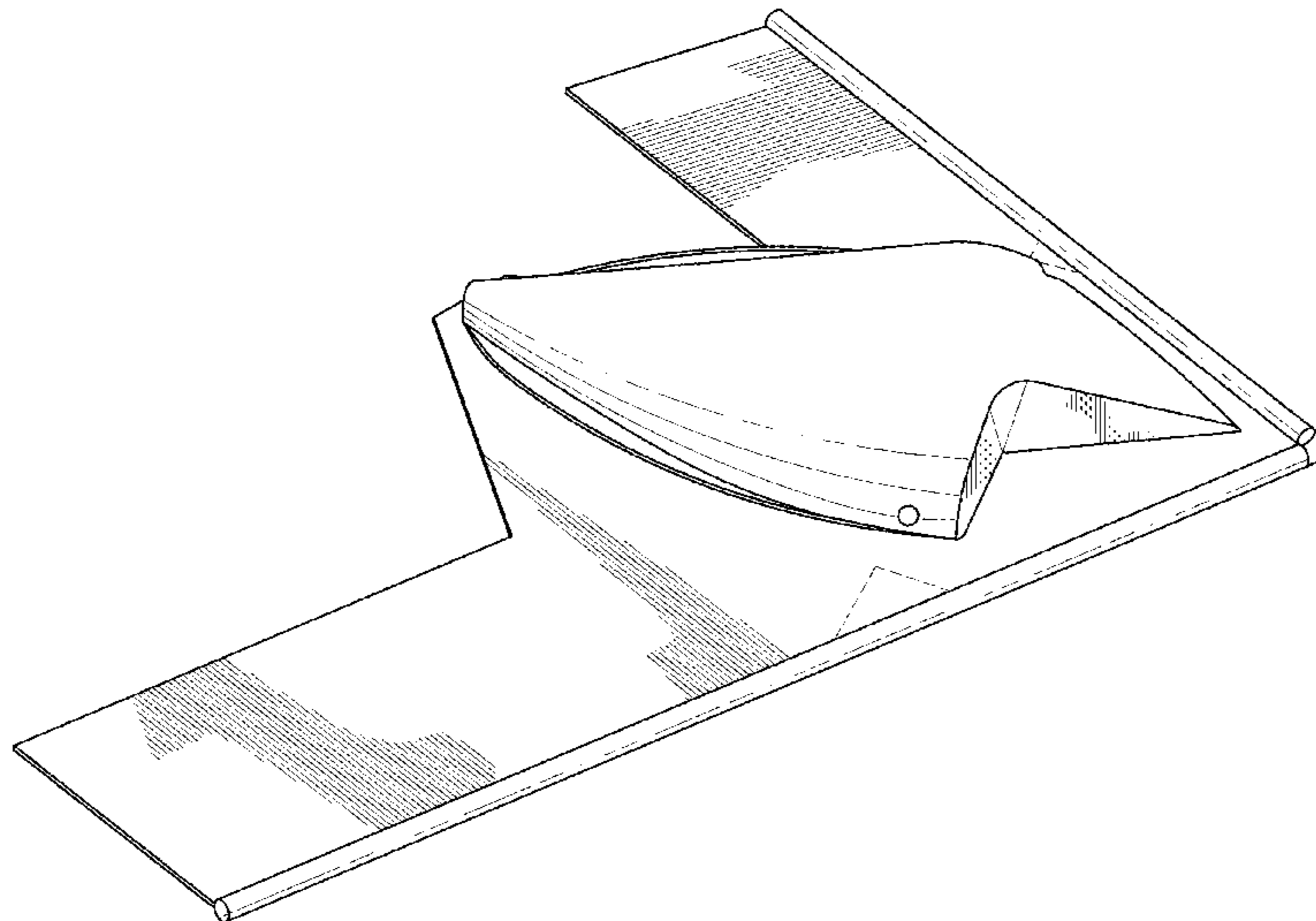
The ornamental design for a delta wing kite, as shown and described.

DESCRIPTION

FIG. 1 is a top perspective view showing my new design;
FIG. 2 is a top view thereof;
FIG. 3 is a bottom view thereof;
FIG. 4 is a right hand side view thereof;
FIG. 5 is a left hand side view thereof;
FIG. 6 is a front view thereof; and,
FIG. 7 is a rear view thereof.

In the drawings, the broken lines shown depict unclaimed portions of the delta wing kite; all other broken lines represent unclaimed environmental subject matter and form no part of the claim.

1 Claim, 5 Drawing Sheets



(56)

References Cited

U.S. PATENT DOCUMENTS

D281,338 S *	11/1985	Gorick	D21/449	6,854,690 B2	2/2005	Tabor	
D281,680 S *	12/1985	Henderson	D12/319	D502,745 S *	3/2005	Tabor	D21/445
4,715,564 A	12/1987	Kinn		D503,141 S *	3/2005	Schafroth	D12/319
D294,154 S *	2/1988	McDaniel	D21/449	D508,013 S *	8/2005	Rihn	D12/319
4,807,832 A	2/1989	Tabor		6,955,325 B1	10/2005	Tabor et al.	
4,813,637 A	3/1989	Bondestam		D543,494 S *	5/2007	Hall	D12/319
4,830,313 A	5/1989	Cheng		D583,295 S *	12/2008	Au	D12/343
4,848,704 A	7/1989	Sams		D588,976 S *	3/2009	Westra	D12/319
D314,366 S *	2/1991	Waaland	244/36	D597,148 S *	7/2009	Lin	D21/448
5,152,481 A	10/1992	Cote		D597,472 S *	8/2009	Cazals	D12/319
D342,717 S *	12/1993	Mrdeza	D12/319	7,621,484 B2	11/2009	Wingert	
D347,032 S *	5/1994	Nieder	D21/449	D610,066 S *	2/2010	Au	D12/345
5,328,134 A	7/1994	Powers		D616,352 S *	5/2010	Schafroth	D12/319
D362,234 S *	9/1995	Urie, Jr.	D12/320	D616,804 S *	6/2010	Manley	D12/319
D382,851 S *	8/1997	Knutson	D12/319	D616,805 S *	6/2010	Zha	D12/343
D392,345 S *	3/1998	Burghardt	D21/445	D626,490 S *	11/2010	Imel	D12/319
5,727,756 A	3/1998	Rowe		D635,083 S *	3/2011	DeLaurier	D12/319
D394,039 S *	5/1998	Cummings	D12/319	D677,613 S *	3/2013	Luther	D12/319
D396,685 S *	8/1998	Baumgartner	D12/320	D690,777 S *	10/2013	Lukasik	D21/449
5,811,728 A	9/1998	Maeda		D691,215 S *	10/2013	Madigan	D21/436
D410,503 S *	6/1999	Rosz	D21/447	D734,402 S *	7/2015	Reznik	D12/16.1
D410,504 S *	6/1999	Tsai	D21/449	D738,438 S *	9/2015	Cummings	D21/447
D419,278 S *	1/2000	Knutson	D21/448	D783,453 S *	4/2017	Klick	D12/16.1
6,135,388 A	10/2000	Hostetter		D787,983 S *	5/2017	Fargeau	D12/16.1
D444,512 S *	7/2001	Miralles	B64C 1/30	D803,949 S *	11/2017	Ferrandino	D21/445
			D21/447	D806,803 S *	1/2018	Gould	D21/449
D467,217 S *	12/2002	Andreyko	D12/319	D807,809 S *	1/2018	Suzuki	D12/344
D468,255 S *	1/2003	Gopaldaswami	D12/319	D807,966 S *	1/2018	Manzoni	D21/447
D475,340 S *	6/2003	Arata	D12/319	D810,621 S *	2/2018	Sadek	D12/16.1
D476,943 S *	7/2003	Reinhard	D12/319	2007/0120017 A1	5/2007	Webb et al.	
6,598,833 B2	7/2003	Tabor		2007/0295864 A1 *	12/2007	Garvin	A63H 27/085
D482,079 S *	11/2003	Solomon, Jr.	D21/449				244/153 R
D482,409 S *	11/2003	Tabor	D21/445	2008/0035795 A1 *	2/2008	Hassett	A63H 27/08
6,663,050 B2	12/2003	Tabor					244/153 R
D486,775 S *	2/2004	Reinhard	D12/319	2012/0018583 A1 *	1/2012	Prieto Estebanez	
D488,426 S *	4/2004	Hall	D12/319				B64C 31/032
6,837,463 B2	1/2005	Lynn					244/153 R
				2018/0134357 A1 *	5/2018	Vestel	B63H 9/0685

* cited by examiner

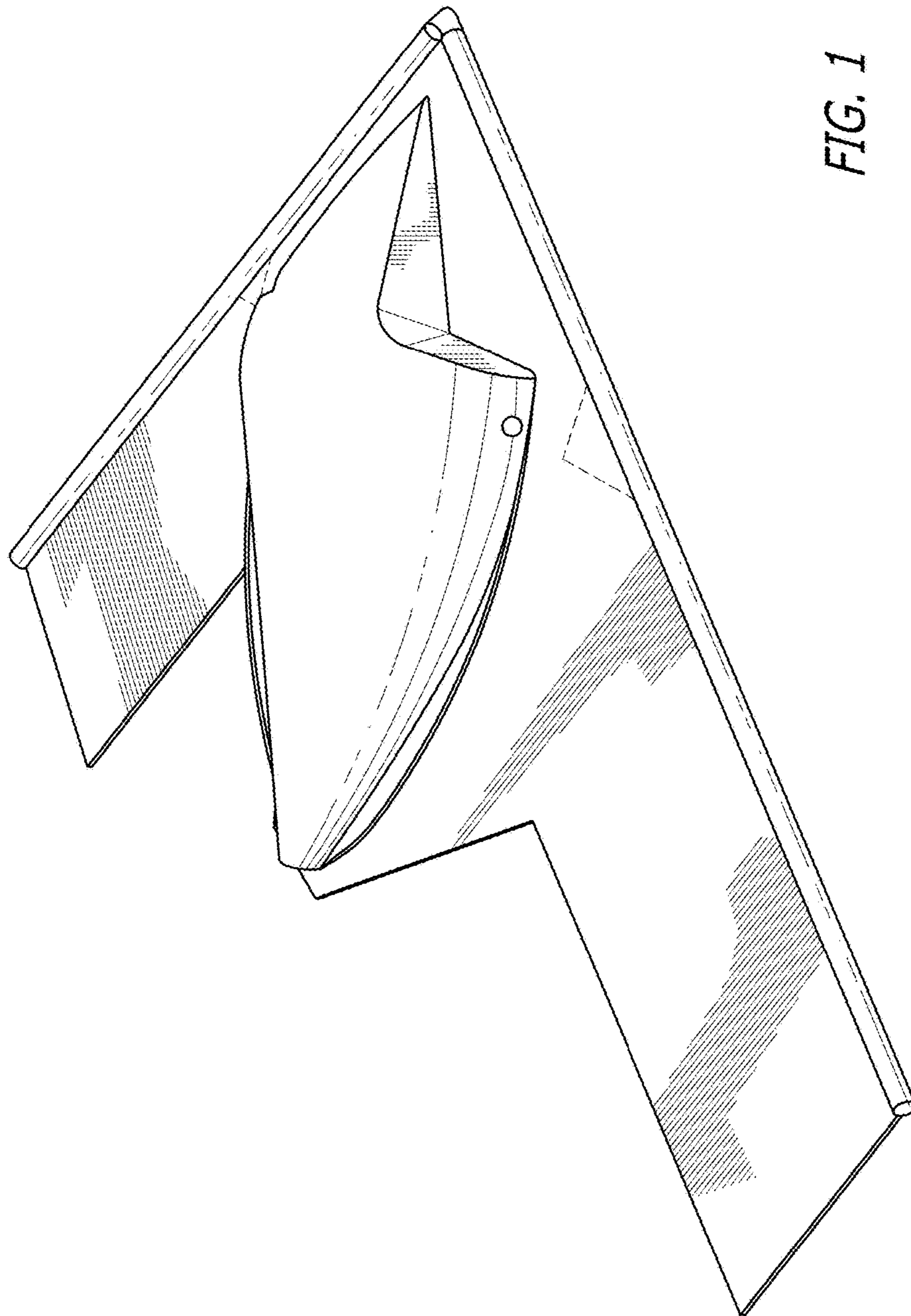


FIG. 1

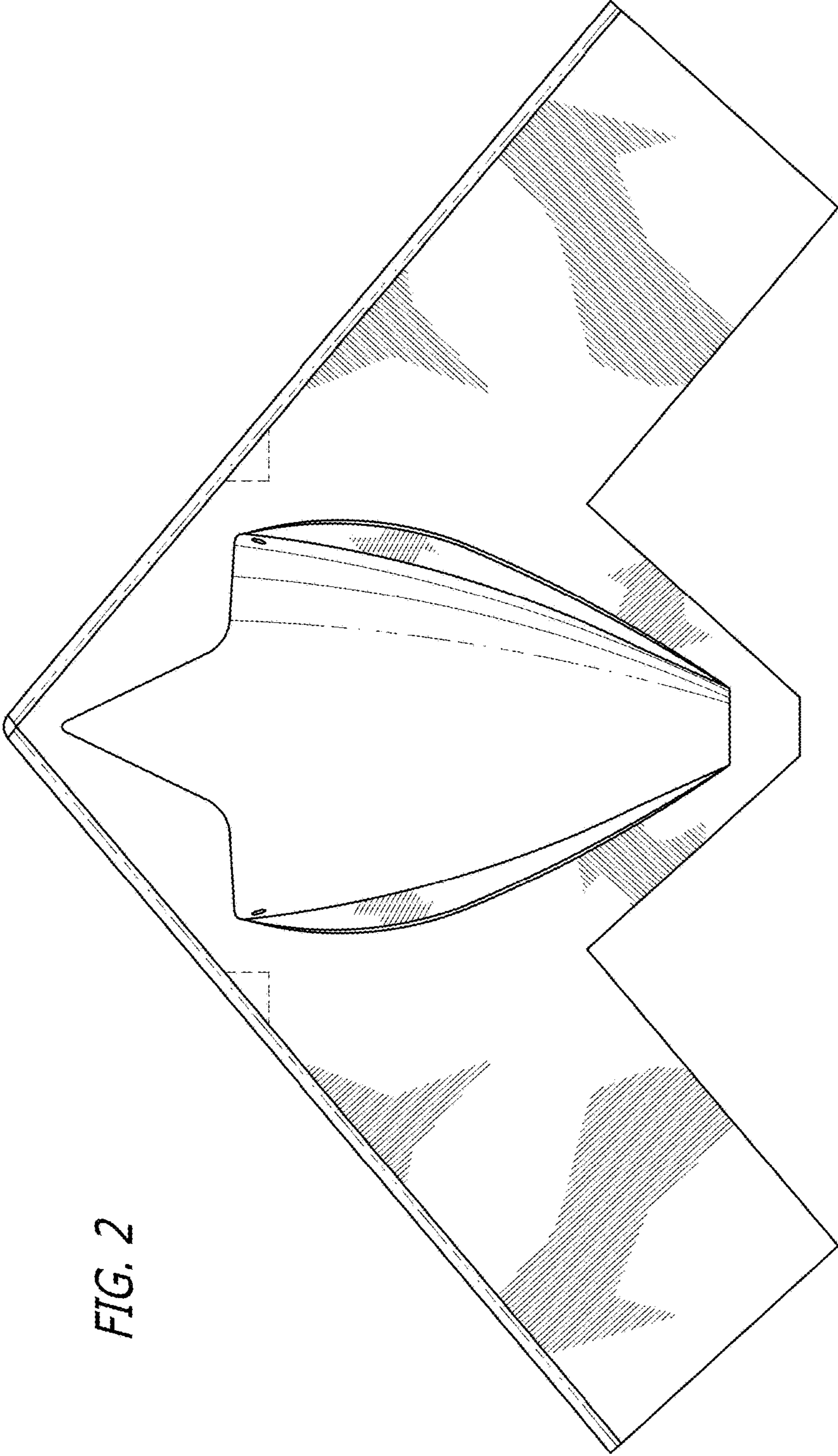


FIG. 2

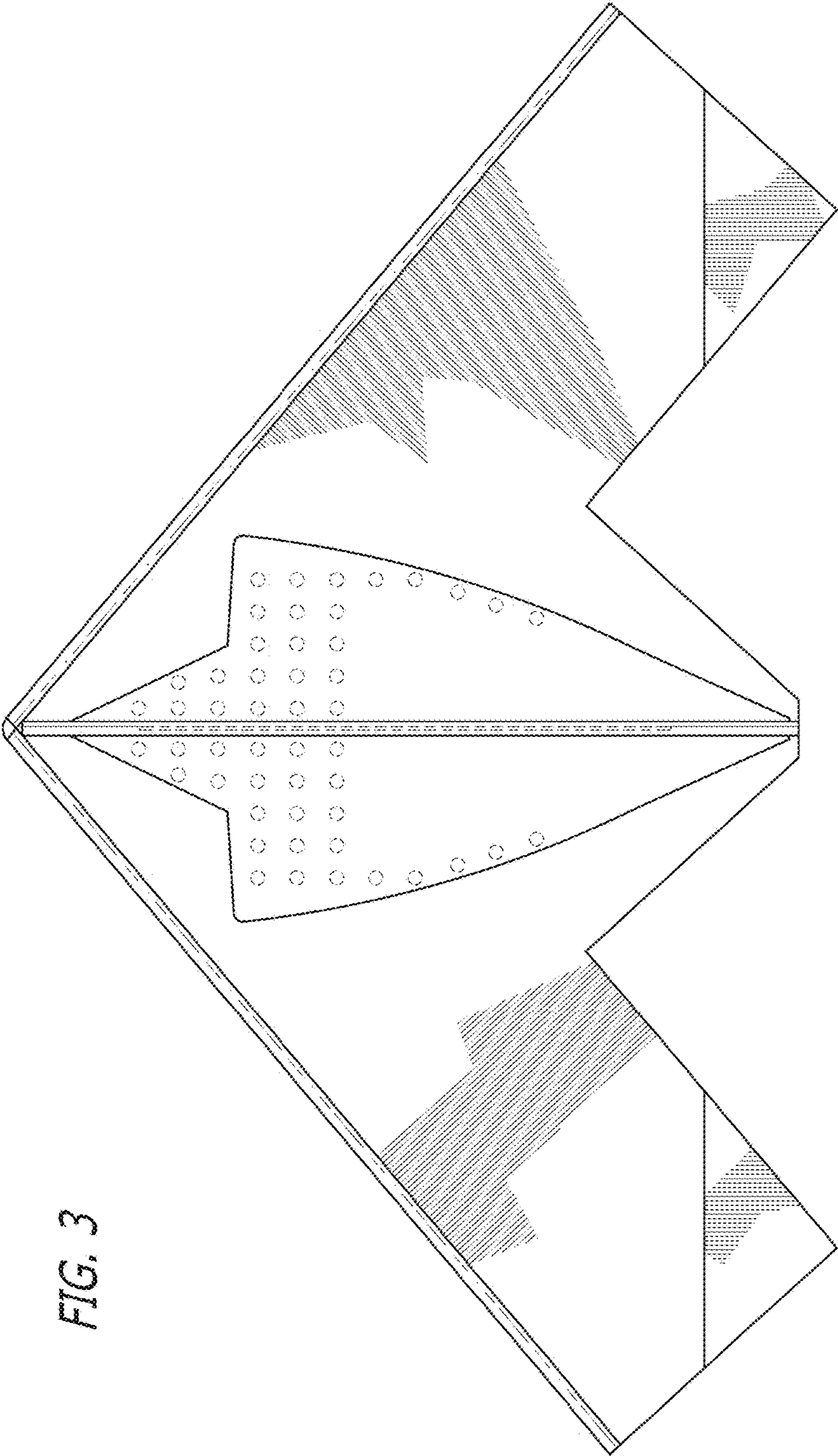


FIG. 3

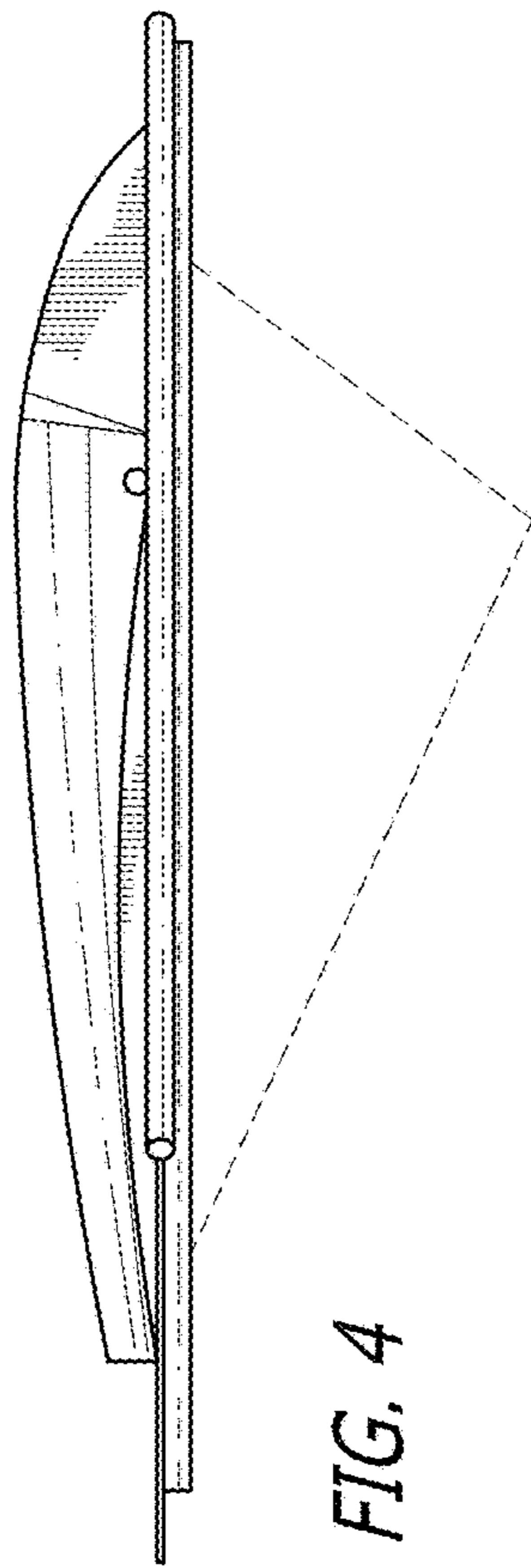


FIG. 4

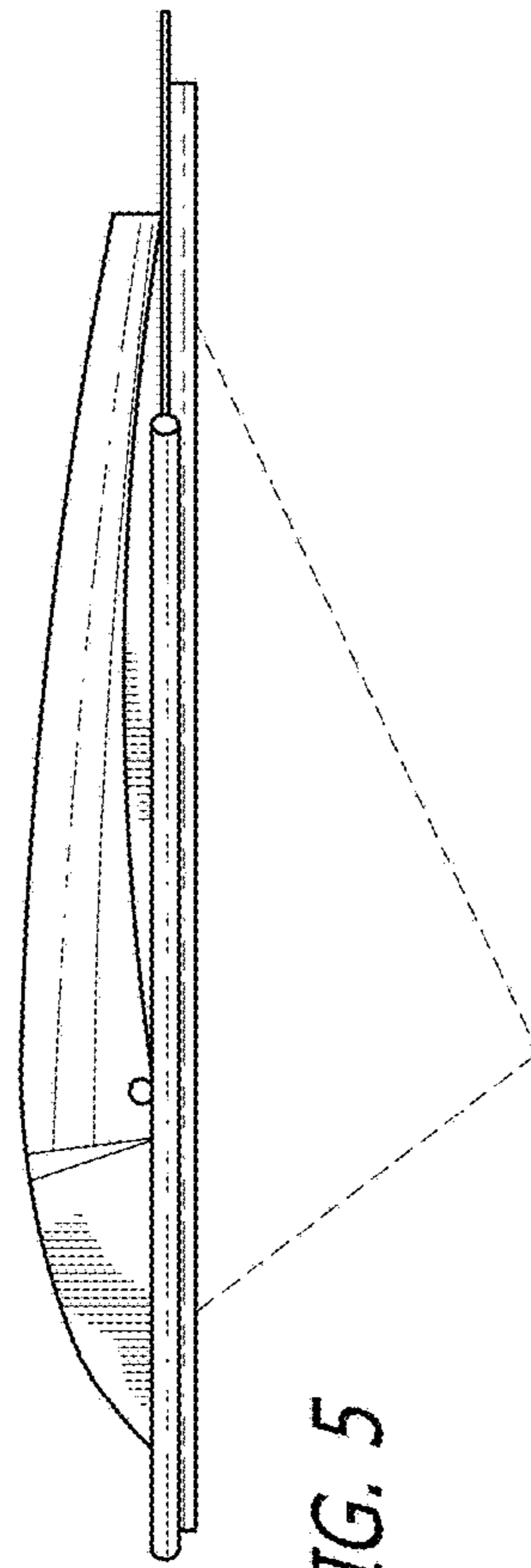


FIG. 5

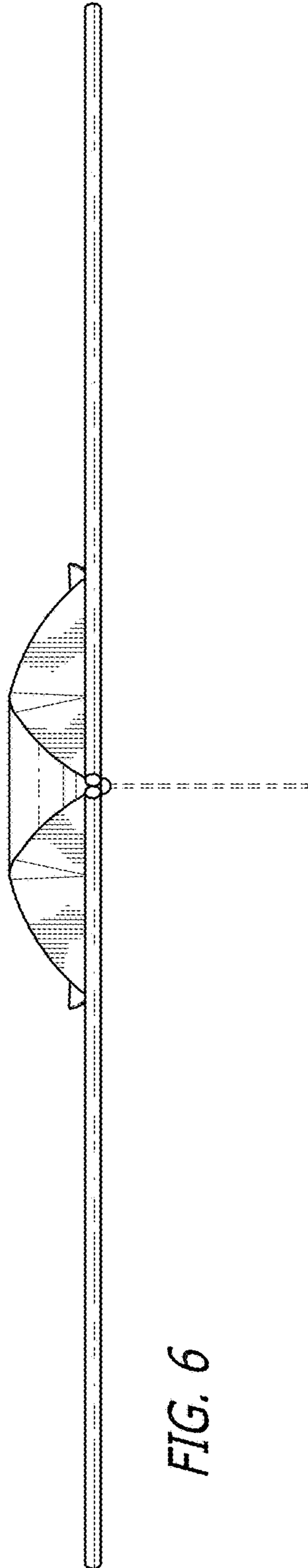


FIG. 6

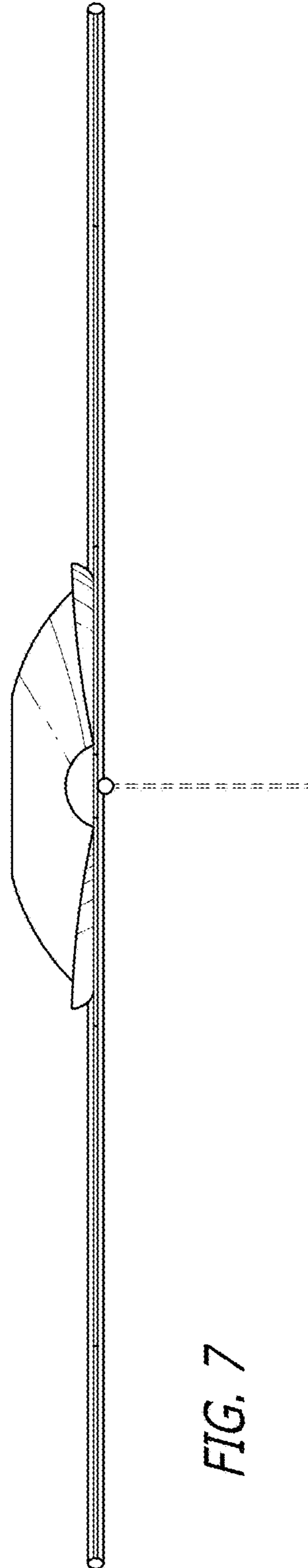


FIG. 7