



US00D843485S

(12) **United States Design Patent**
Frawley

(10) **Patent No.:** **US D843,485 S**

(45) **Date of Patent:** **** Mar. 19, 2019**

(54) **AERIAL TOY**

(71) Applicant: **FLIGHT LAB LIMITED**, Hong Kong (CN)

(72) Inventor: **Sean Frawley**, Hong Kong (CN)

(73) Assignee: **FLIGHT LAB LIMITED**, Hong Kong (CN)

(**) Term: **15 Years**

(21) Appl. No.: **29/637,114**

(22) Filed: **Feb. 14, 2018**

(51) **LOC (11) Cl.** **21-01**

(52) **U.S. Cl.**
USPC **D21/436**

(58) **Field of Classification Search**
USPC D12/16.1, 319-345, 1; D21/436, 438, D21/441, 442, 443, 444, 447, 448, 449, D21/450, 451, 452, 454, 769, 334
CPC ... B64C 29/00; B64C 2201/141; B64C 27/24; B64C 27/30; B64C 39/04; B64C 29/0033; B64C 29/0025; B64C 27/20; B60F 5/02
See application file for complete search history.

(56) **References Cited**

U.S. PATENT DOCUMENTS

2,955,780	A *	10/1960	Hulbert	B64C 27/20
					104/23.2
3,265,329	A *	8/1966	Postelson	B64C 27/20
					180/122
D243,837	S *	3/1977	Adams	D12/330
5,634,839	A *	6/1997	Dixon	A63H 27/00
					446/37
6,745,977	B1 *	6/2004	Long	B60F 5/02
					244/17.25
D516,994	S *	3/2006	Houck, II	D12/319
D526,951	S *	8/2006	Houck, II	D12/319
7,275,712	B2 *	10/2007	Yoeli	B64C 29/0025
					244/23 A

D557,365	S *	12/2007	Parten	D21/766
D570,436	S *	6/2008	Scaturro	D21/766
8,251,307	B2 *	8/2012	Goossen	B64C 39/024
					244/23 C

(Continued)

OTHER PUBLICATIONS

Air Hogs Extreme Air Board by CoolTHings. dated Aug. 6, 2018. found online [Nov. 30, 2018] <https://www.coolthings.com/air-hogs-extreme-air-board-mini-hoverboard/>.*

(Continued)

Primary Examiner — Marissa J Cash

(74) Attorney, Agent, or Firm — Millman IP Inc.

(57) **CLAIM**

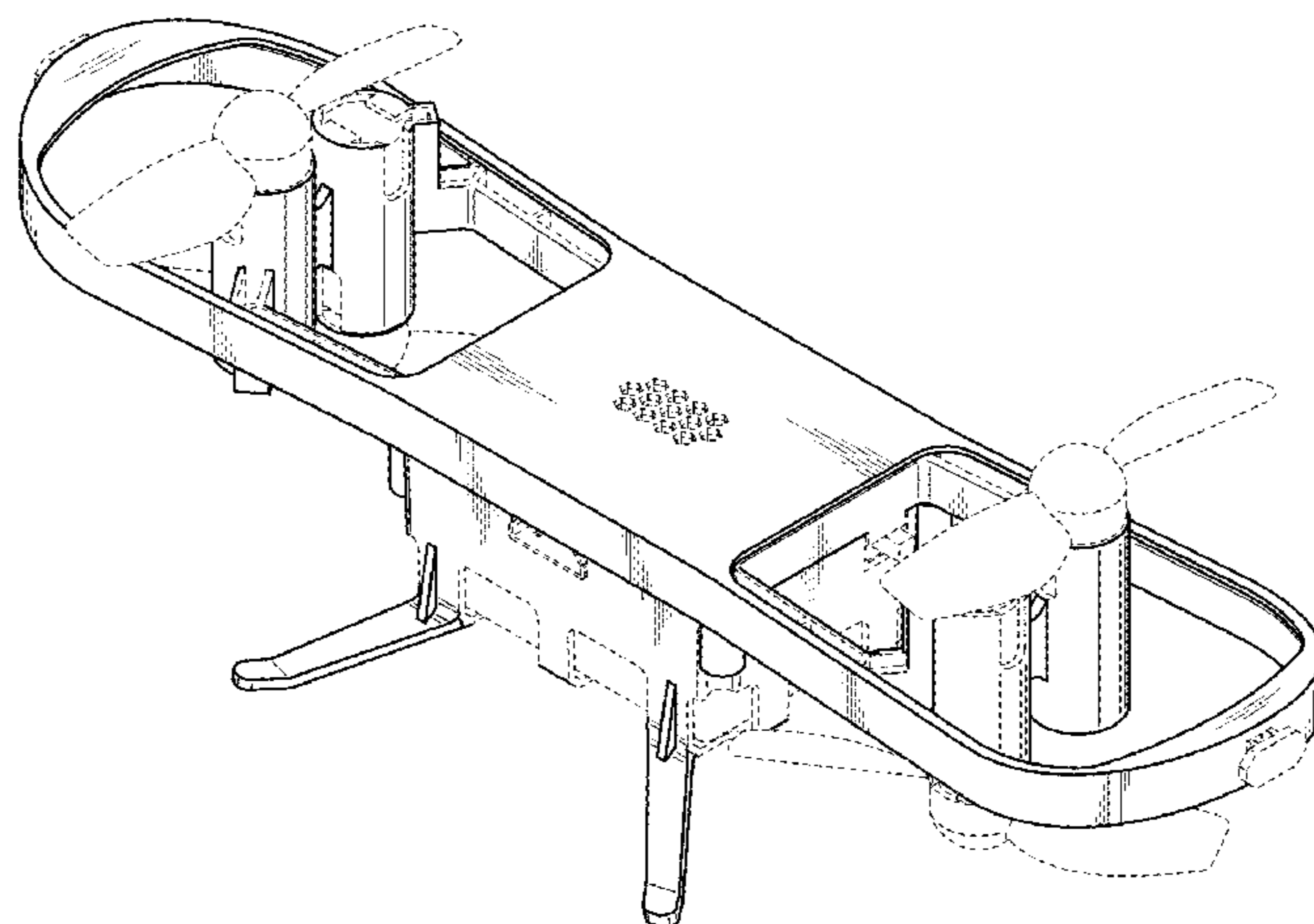
The design for an aerial toy, as shown and described.

DESCRIPTION

FIG. 1 is a perspective view from above, to the front and to the left side of a new design for an aerial toy;
FIG. 2 is a perspective view from above, to the rear and to the left side thereof;
FIG. 3 is a perspective view from below, to the front, and to the left side thereof;
FIG. 4 is a perspective view from below, to the rear, and to the left side thereof;
FIG. 5 is a top plan view thereof;
FIG. 6 is a bottom plan view thereof;
FIG. 7 is a left side elevation view thereof;
FIG. 8 is a right side elevation view thereof;
FIG. 9 is a front elevation view thereof; and,
FIG. 10 is a rear elevation view thereof.

In the drawings, the claimed design is defined by the shaded surfaces; broken lines immediately adjacent shaded surfaces represent boundaries of the claim and form no part thereof; all other broken lines depict portions of the aerial toy that form no part of the claim.

1 Claim, 9 Drawing Sheets



(56)

References Cited

U.S. PATENT DOCUMENTS

8,328,130 B2 * 12/2012 Goossen B64C 27/20
244/17.11
D676,513 S * 2/2013 Putland D21/769
8,596,570 B1 * 12/2013 Carambat B64C 11/006
244/12.1
8,651,432 B2 * 2/2014 De Roche B64C 29/0025
244/220
8,876,038 B2 * 11/2014 Yoeli B64C 27/20
244/23 A
D747,775 S * 1/2016 Colin D12/16.1
9,254,916 B2 * 2/2016 Yang B64C 3/546
D768,540 S * 10/2016 Ji D12/16.1
9,457,901 B2 * 10/2016 Bertrand A63H 27/12
D779,595 S * 2/2017 Xiao D12/16.1
D800,603 S * 10/2017 Curl D12/16.1
D806,635 S * 1/2018 Zhou D12/326
D806,636 S * 1/2018 Lee D12/345
D810,617 S * 2/2018 Duru D12/1
9,932,111 B2 * 4/2018 Spinelli B64C 39/024
9,950,789 B2 * 4/2018 Tsunekawa B64C 27/20
2006/0049304 A1 * 3/2006 Sanders, Jr. B64C 27/12
244/23 A
2006/0113425 A1 * 6/2006 Rader B64C 15/00
244/17.11
2006/0192047 A1 * 8/2006 Goossen B64C 27/20
244/17.23
2006/0231675 A1 * 10/2006 Bostan B64C 3/385
244/12.1
2008/0283673 A1 * 11/2008 Yoeli B60V 1/043
244/23 A
2009/0084907 A1 * 4/2009 Yoeli B64C 15/02
244/23 R

2009/0140102 A1 * 6/2009 Yoeli B64C 27/20
244/23 D
2010/0051740 A1 * 3/2010 Yoeli B64C 27/20
244/12.1
2010/0051753 A1 * 3/2010 Yoeli B64C 29/0025
244/23 A
2010/0076625 A1 * 3/2010 Yoeli B60V 1/043
701/4
2011/0001014 A1 * 1/2011 Gramling B64C 27/18
244/198
2011/0049306 A1 * 3/2011 Yoeli B64C 29/0025
244/23 A
2011/0049307 A1 * 3/2011 Yoeli B64C 27/08
244/23 A
2011/0174920 A1 * 7/2011 Yoeli B64C 27/20
244/75.1
2012/0080564 A1 * 4/2012 Yoeli B64C 19/00
244/23 A
2014/0124613 A1 * 5/2014 Yang B64C 3/546
244/12.4
2015/0370252 A1 * 12/2015 Hanson B63B 1/042
701/2

OTHER PUBLICATIONS

Spin Master home page. By SpinMaster. Copyright dated 2017.
found online [Nov. 29, 2018] <https://shop.spinmaster.com/home>.
Buy Spin Master Toys Online via Wayback Machine by Wayback
Machine. dated Jul. 8, 2017. found online [Nov. 30, 2018] https://web.archive.org/web/20170708073734/https://shop.spinmaster.com/store/us/air-hogs/_/N-plu6ng.

* cited by examiner

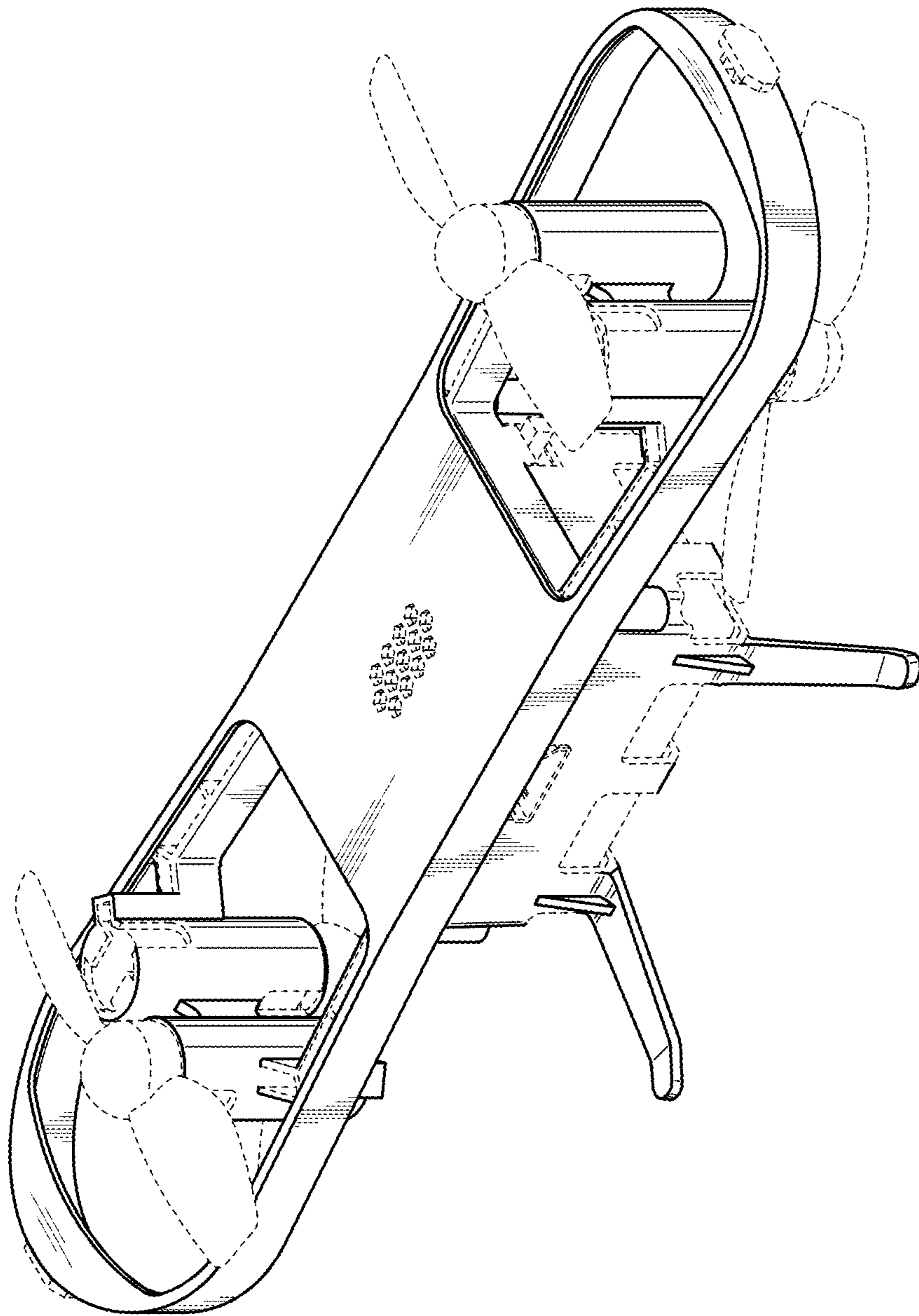


FIG. 1

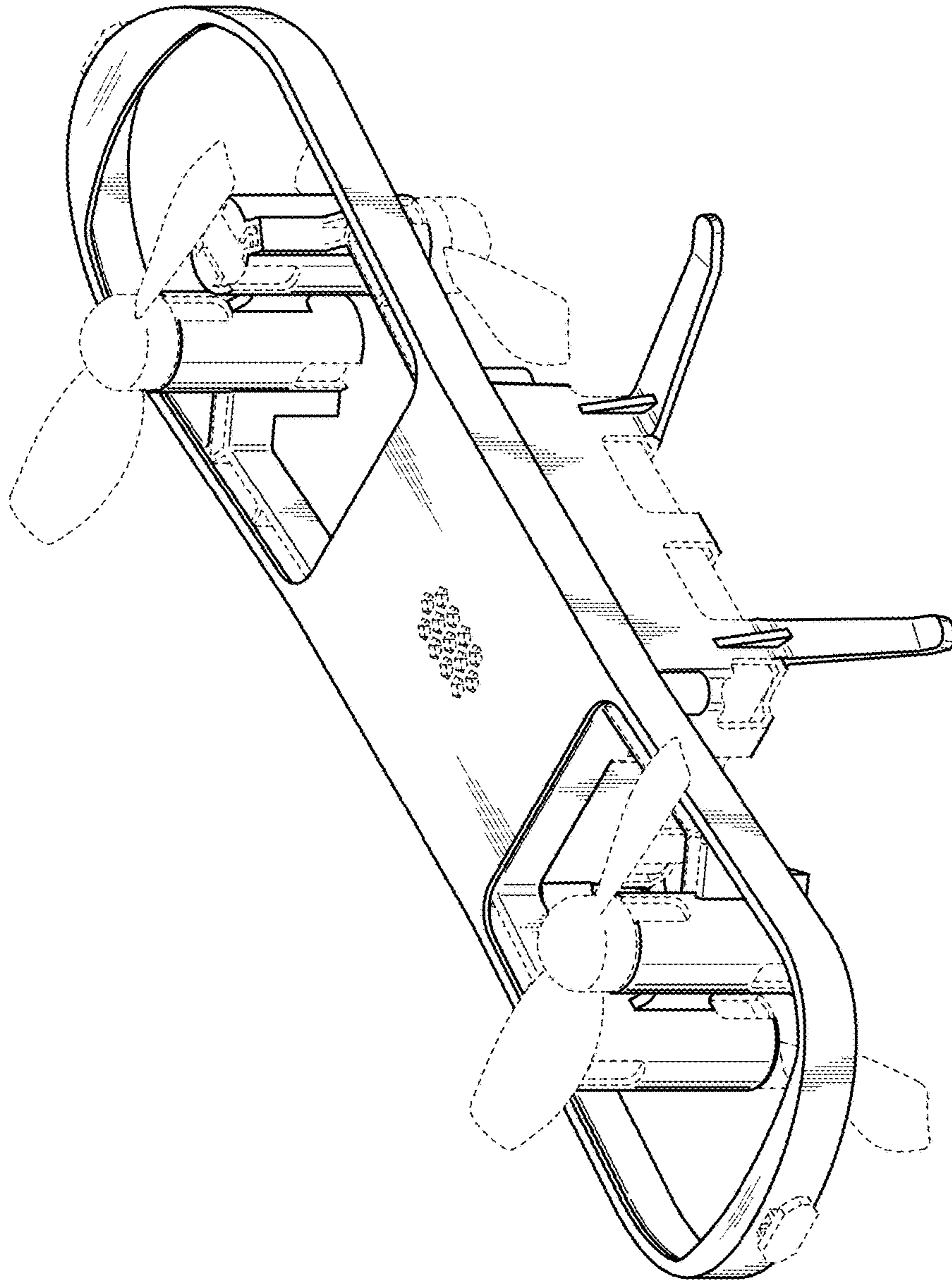


FIG. 2

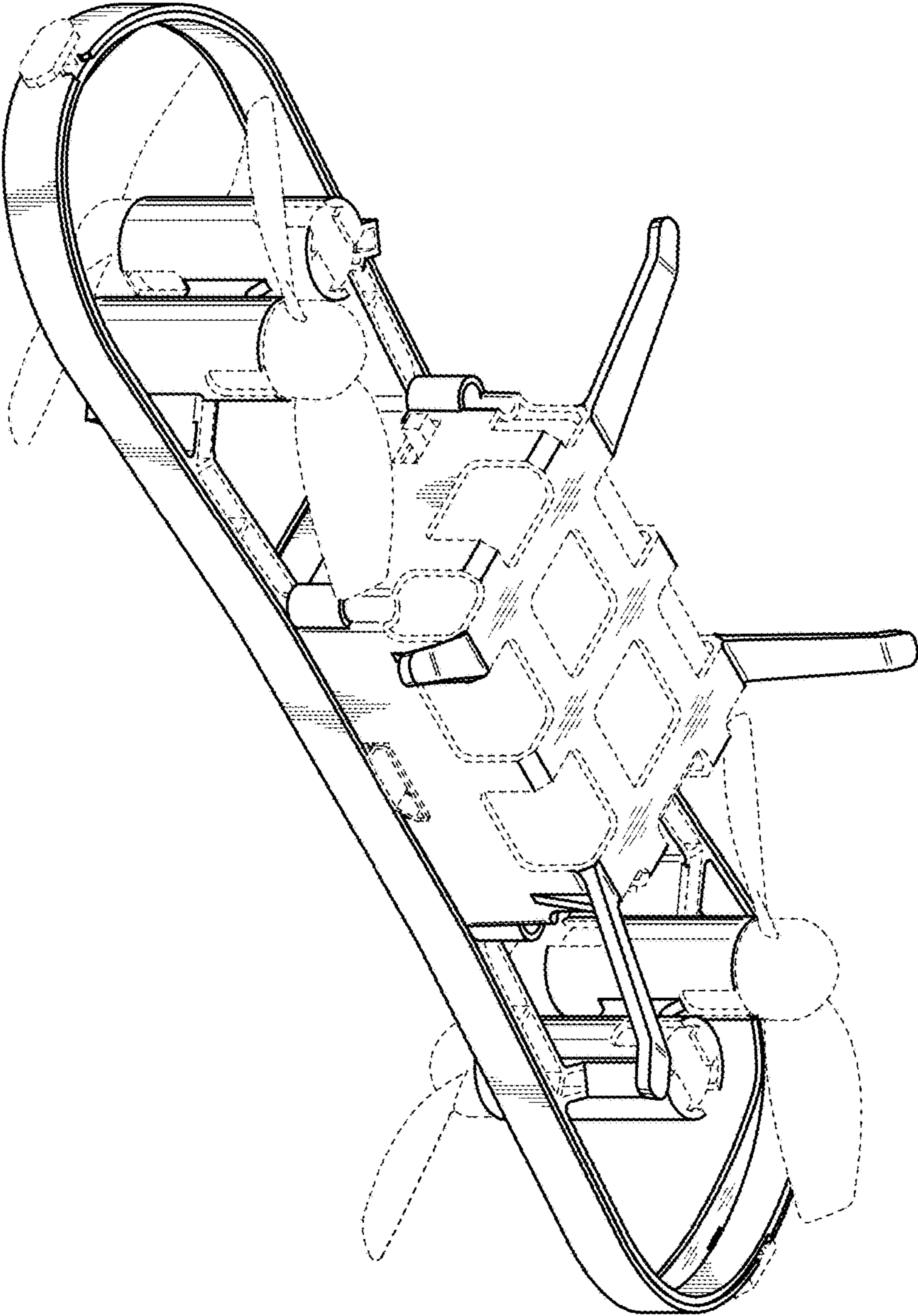


FIG. 3

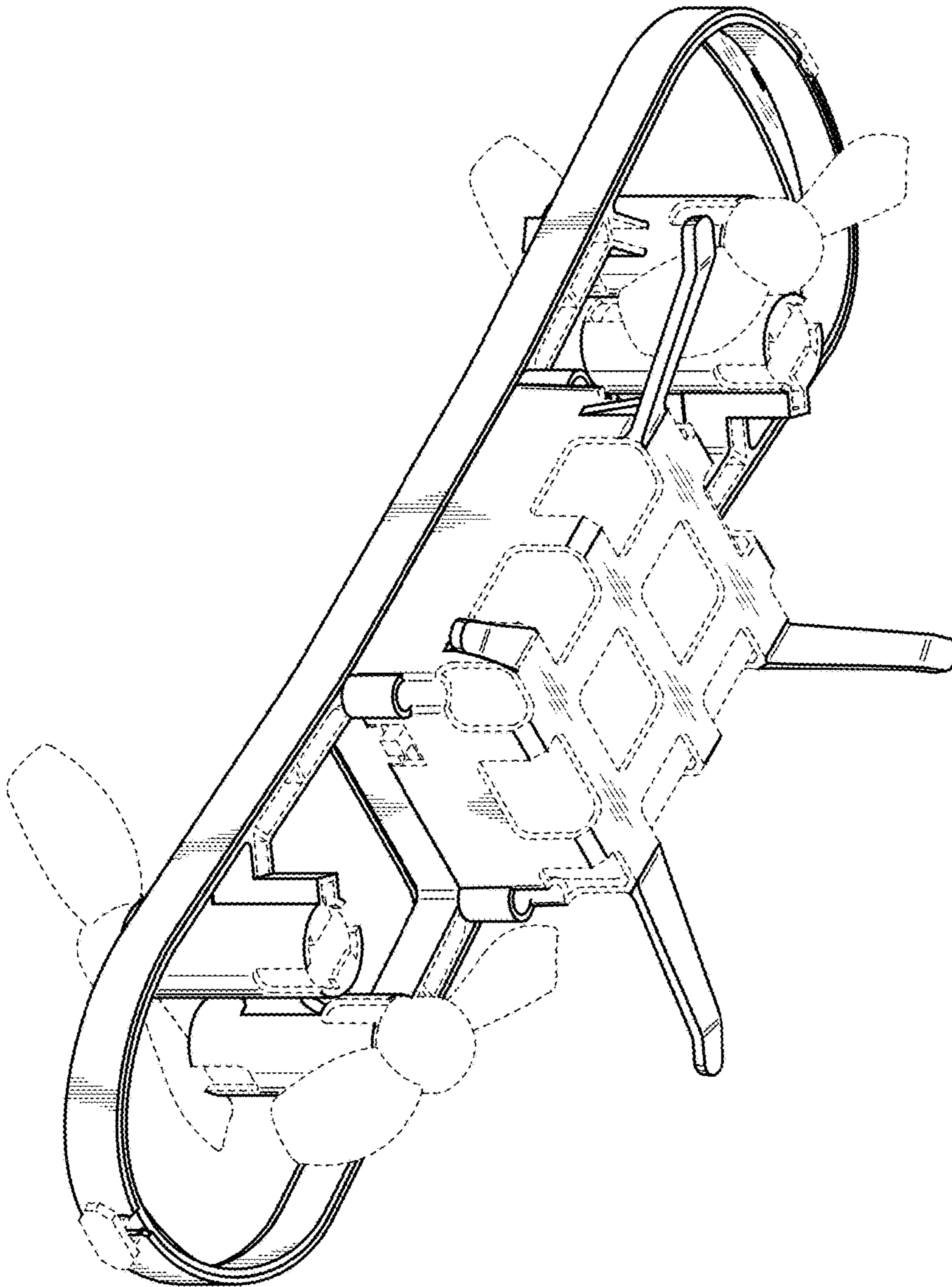


FIG. 4

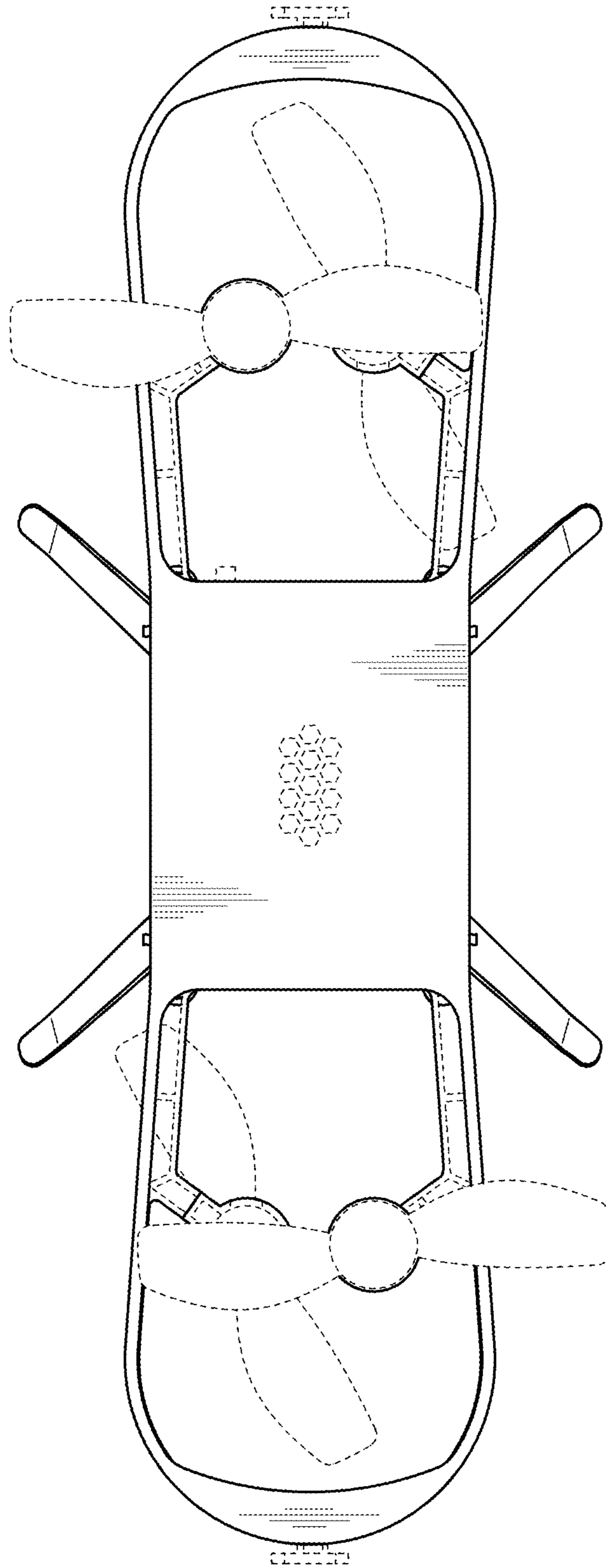


FIG. 5

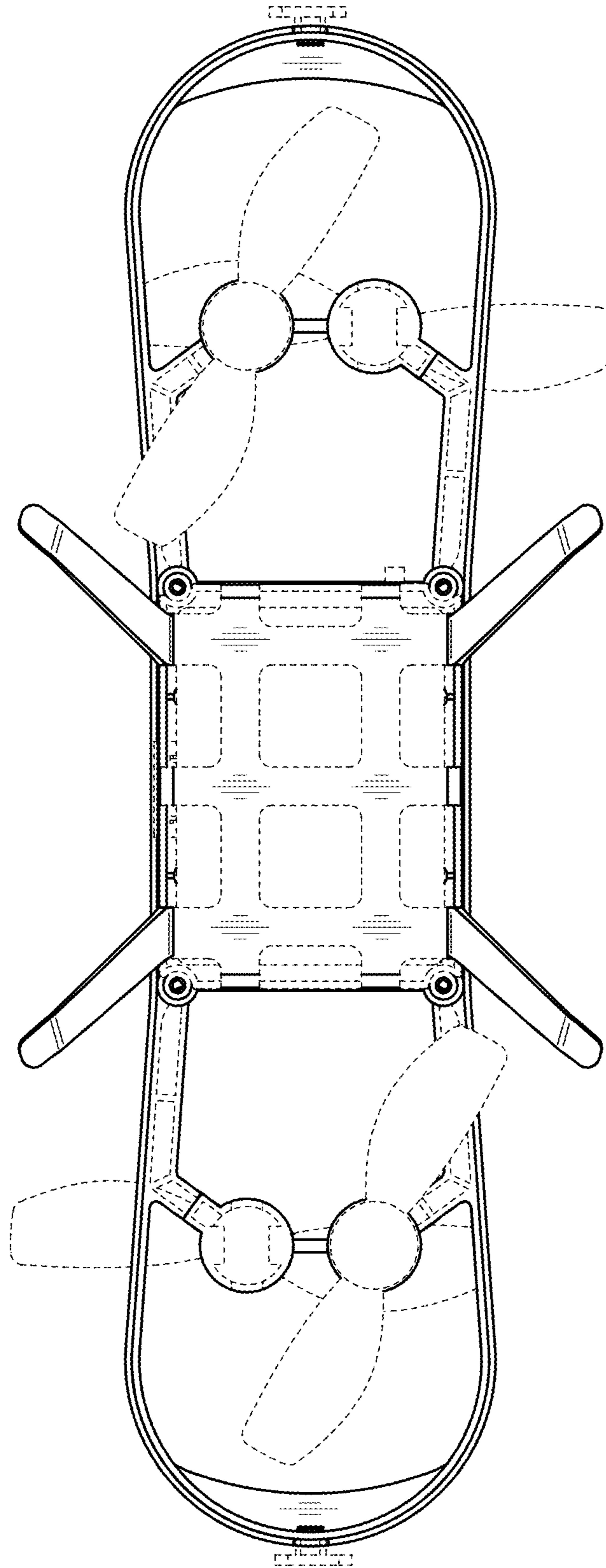


FIG. 6

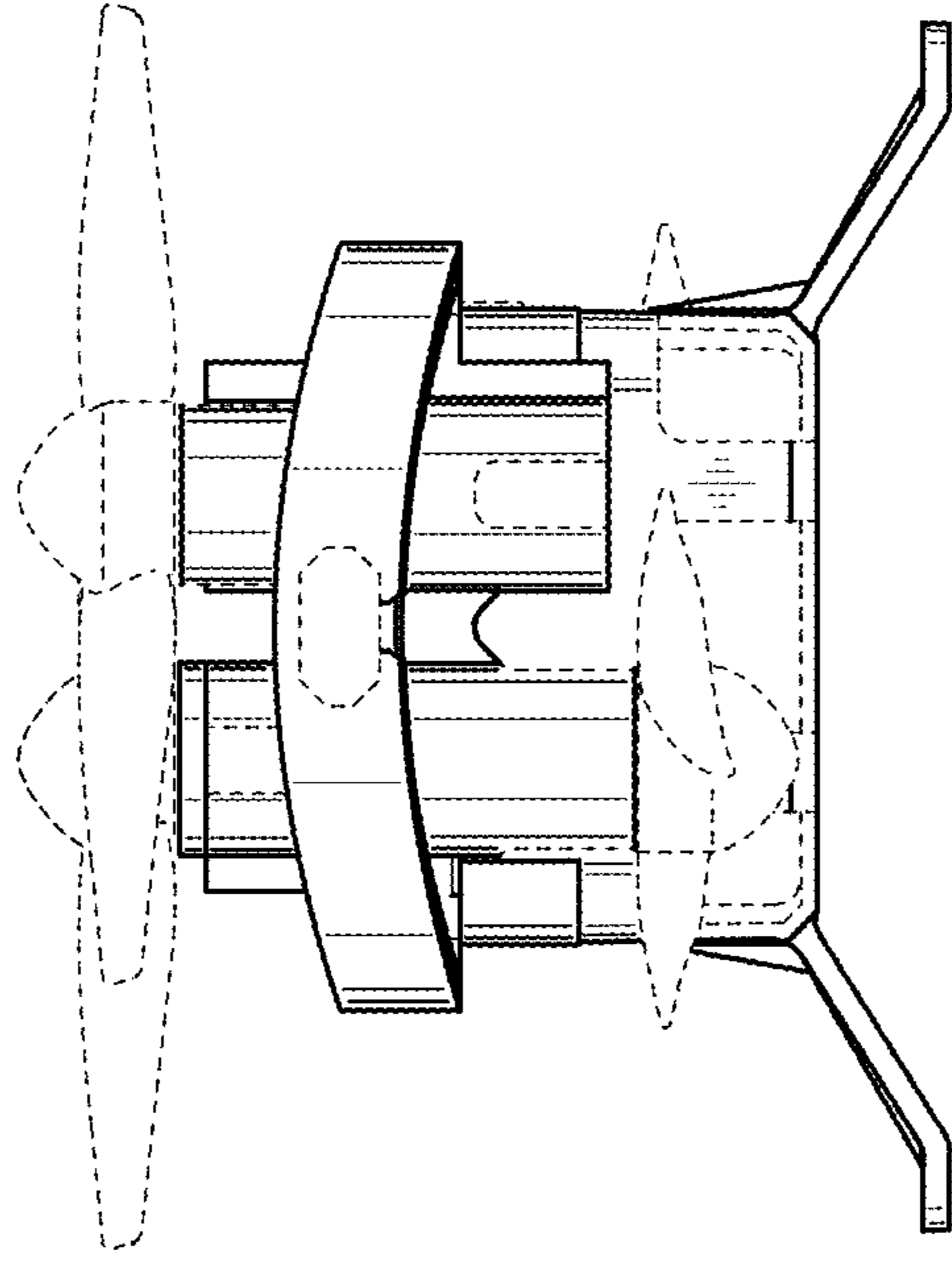


FIG. 7

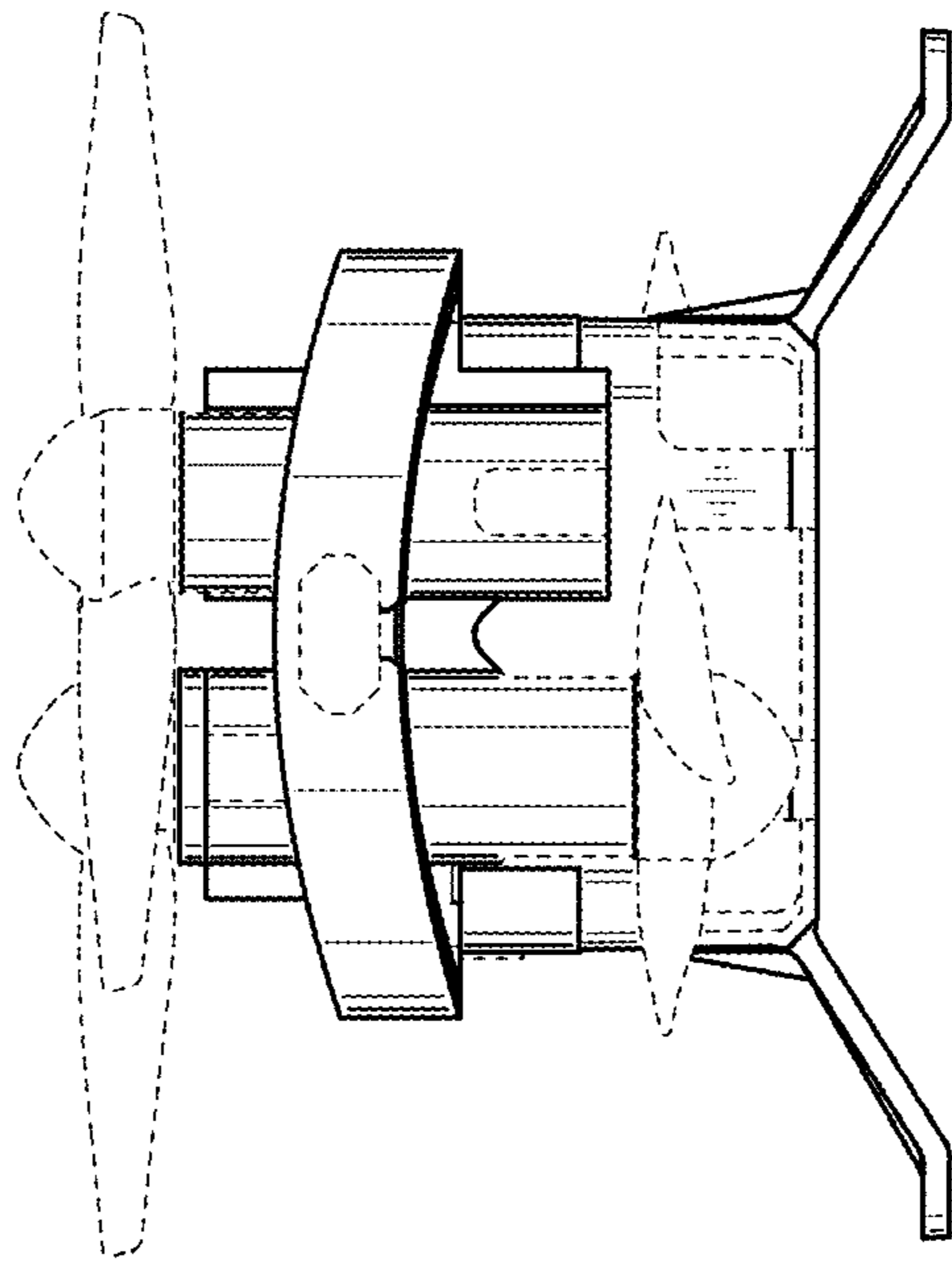


FIG. 8

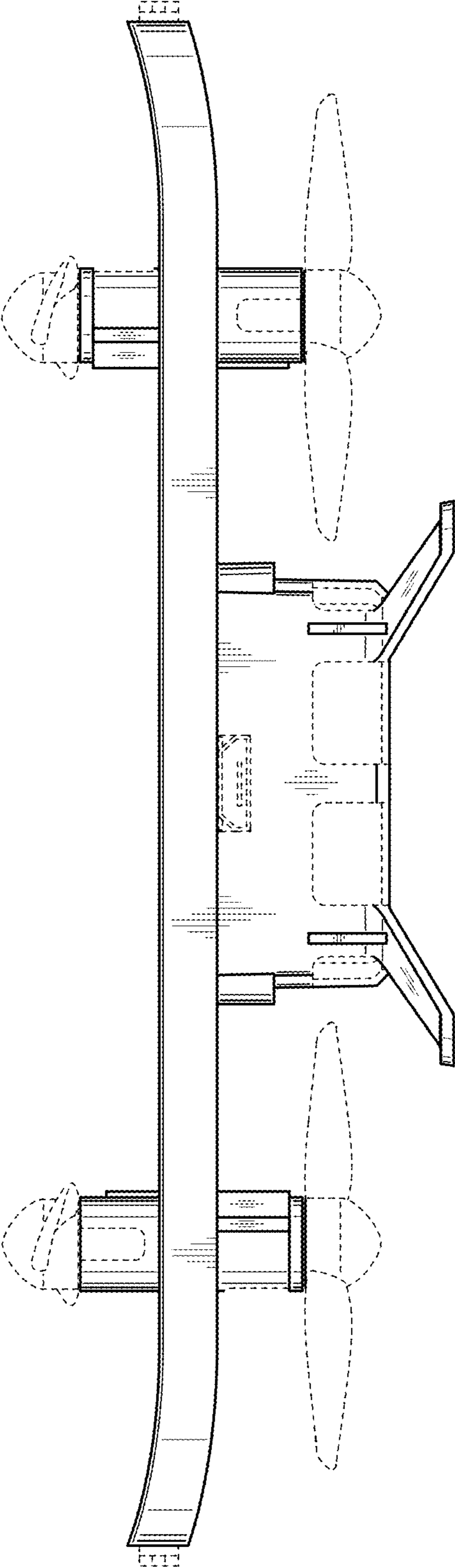


FIG. 9

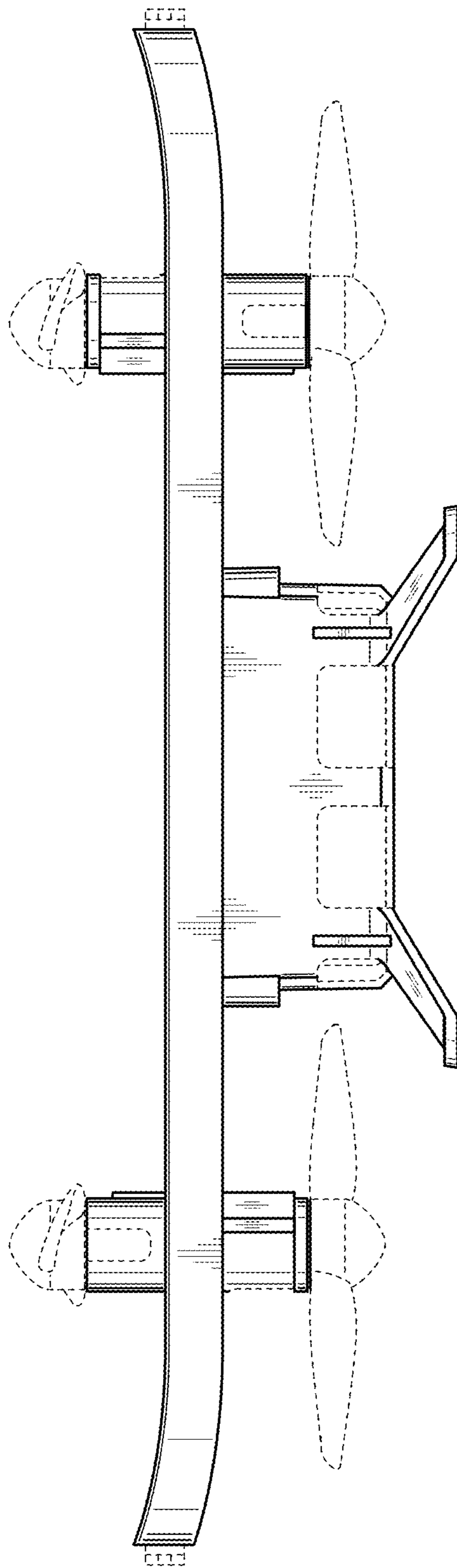


FIG. 10