



US00D843481S

(12) **United States Design Patent**  
**Snyder**

(10) **Patent No.:** **US D843,481 S**  
(45) **Date of Patent:** **\*\* Mar. 19, 2019**

(54) **BALANCE FOR AN EDUCATIONAL SET OF CHILDREN'S DICE BLOCKS**

(71) Applicant: **VIGGI CORP.**, Rochester, NY (US)

(72) Inventor: **Christalyn Snyder**, Rochester, NY (US)

(73) Assignee: **Viggi Corporation**, Fairport, NY (US)

(\*\*) Term: **15 Years**

(21) Appl. No.: **29/655,567**

(22) Filed: **Jul. 5, 2018**

**Related U.S. Application Data**

(62) Division of application No. 29/544,100, filed on Oct. 30, 2015, now Pat. No. Des. 825,667.

(51) **LOC (11) Cl.** ..... **21-01**

(52) **U.S. Cl.**  
USPC ..... **D21/385**

(58) **Field of Classification Search**  
USPC ..... D21/412, 688, 797, 686, 761, 765, 671,  
D21/689, 662, 504, 373; D10/90;  
482/142, 146, 51; D6/406.3, 685  
See application file for complete search history.

(56) **References Cited**

**U.S. PATENT DOCUMENTS**

D92,503 S \* 6/1934 Tafe ..... D21/412  
3,416,792 A \* 12/1968 Morgan ..... A63B 22/16  
482/146  
3,995,852 A \* 12/1976 Mendelson ..... A63G 11/00  
482/51  
D346,411 S \* 4/1994 Glenn ..... D21/412  
D376,629 S \* 12/1996 Mounts ..... D21/412  
D377,512 S \* 1/1997 Lenihan ..... D21/412

D392,200 S \* 3/1998 Gibson ..... D10/90  
5,897,474 A \* 4/1999 Romero ..... A63B 22/14  
446/396  
D502,970 S \* 3/2005 Maakestad ..... D21/662  
D505,985 S \* 6/2005 Carbonero ..... D21/671  
D564,604 S \* 3/2008 Mikail ..... D21/688  
D587,774 S \* 3/2009 Giannatos ..... D21/761  
D588,224 S \* 3/2009 Giannatos ..... D21/761  
D588,225 S \* 3/2009 Giannatos ..... D21/761  
D659,776 S \* 5/2012 Zydiak ..... D21/688  
D731,200 S \* 6/2015 Andersen ..... D6/406.3  
D736,549 S \* 8/2015 Andersen ..... D6/685  
D740,381 S \* 10/2015 Heath ..... D21/688  
D750,183 S \* 2/2016 Heath ..... D21/686  
D776,769 S \* 1/2017 Heath ..... D21/688

(Continued)

*Primary Examiner* — Ryan Harvey

(74) *Attorney, Agent, or Firm* — Dinsmore & Shohl LLP

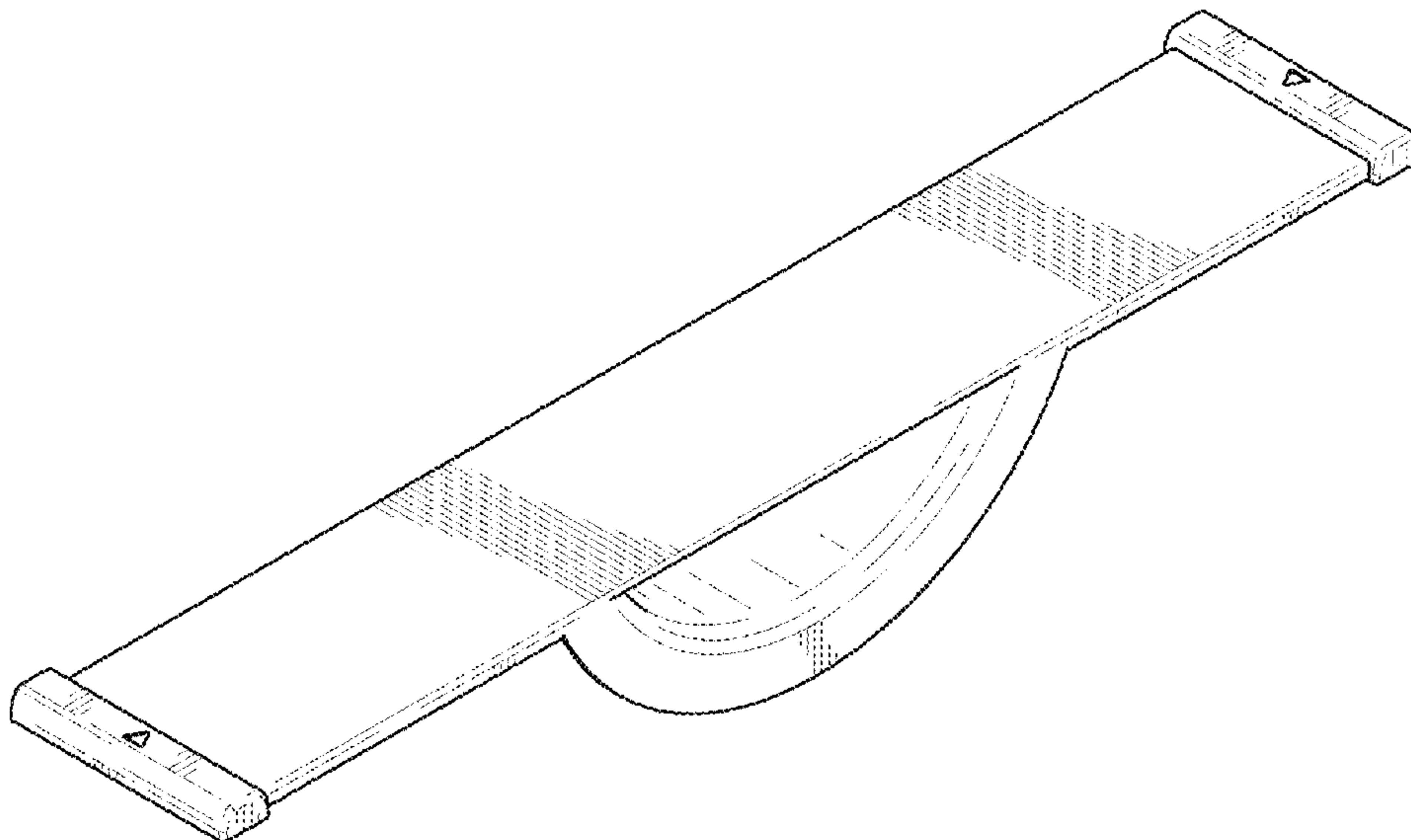
(57) **CLAIM**

The ornamental design for a balance for an educational set of children's dice blocks, as shown and described.

**DESCRIPTION**

FIG. 1 is a perspective view from above of a balance for use in balancing an education set of children's dice blocks;  
FIG. 2 is a perspective view from below of the balance of FIG. 1;  
FIG. 3 is a top view of the balance of FIG. 1;  
FIG. 4 is a side view of the balance of FIG. 1, the other side being a mirror image thereof;  
FIG. 5 is a bottom view of the balance of FIG. 1; and,  
FIG. 6 is an end view of the balance of FIG. 1, the other end being a mirror image thereof.  
The portions of the balance for an educational set of children's dice blocks shown in broken lines depict environmental subject matter only and form no part of the claimed design.

**1 Claim, 4 Drawing Sheets**



(56)

**References Cited**

U.S. PATENT DOCUMENTS

D805,590 S \* 12/2017 Heath ..... D21/688  
D806,189 S \* 12/2017 Failing ..... D21/688  
D806,190 S \* 12/2017 Failing ..... D21/688  
9,931,540 B1 \* 4/2018 Lazar ..... A63B 26/003  
2002/0187886 A1 \* 12/2002 Wu ..... A63B 23/03575  
482/142  
2007/0298949 A1 \* 12/2007 Soletski ..... A61H 1/0266  
482/146  
2014/0228187 A1 \* 8/2014 Moscarello ..... A63B 26/003  
482/142  
2014/0371041 A1 \* 12/2014 Terpstra ..... A63B 22/18  
482/146  
2015/0018178 A1 \* 1/2015 Carbone ..... A63B 71/0009  
482/146  
2015/0190679 A1 \* 7/2015 Carbone ..... A63B 26/003  
482/146

\* cited by examiner

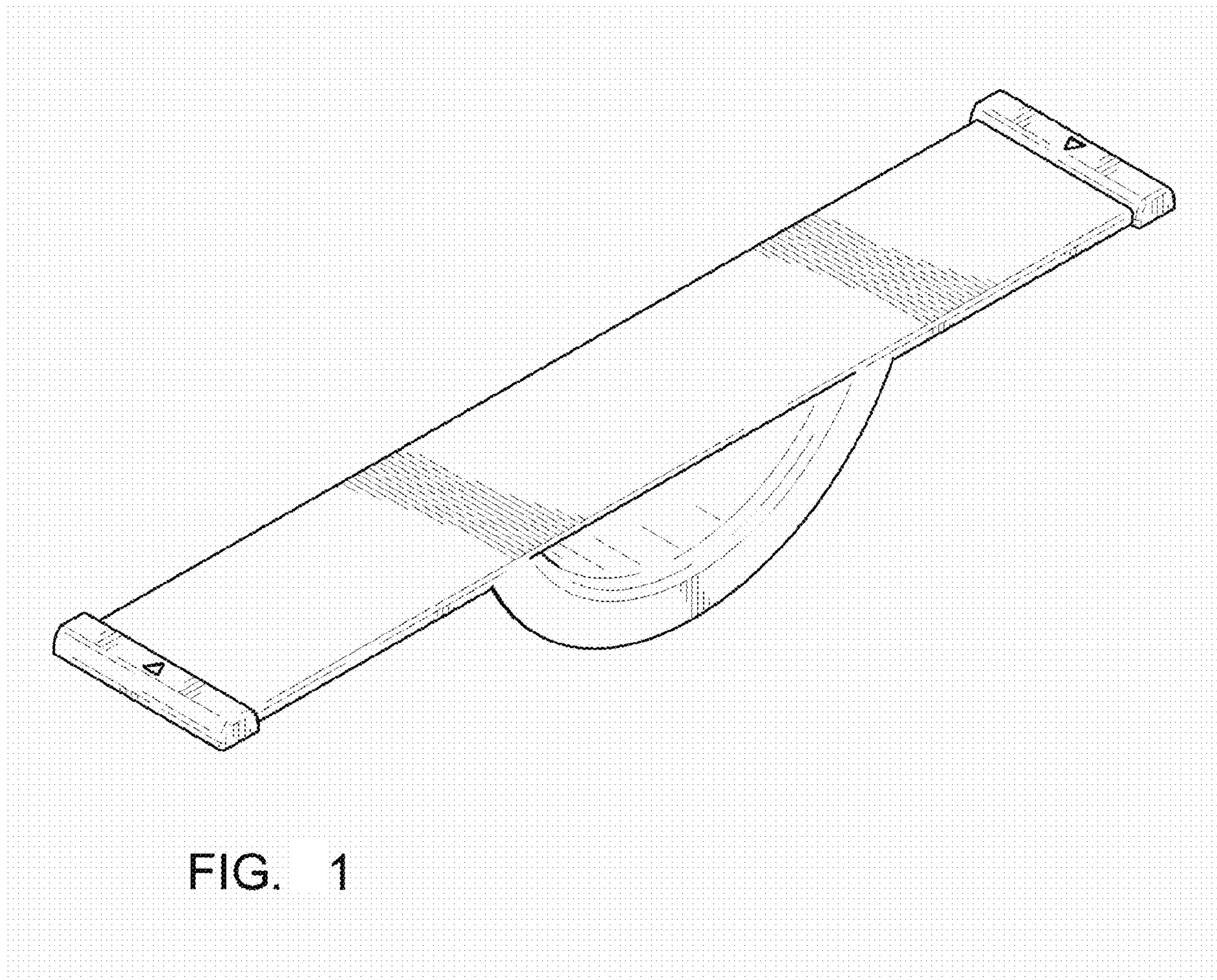


FIG. 1

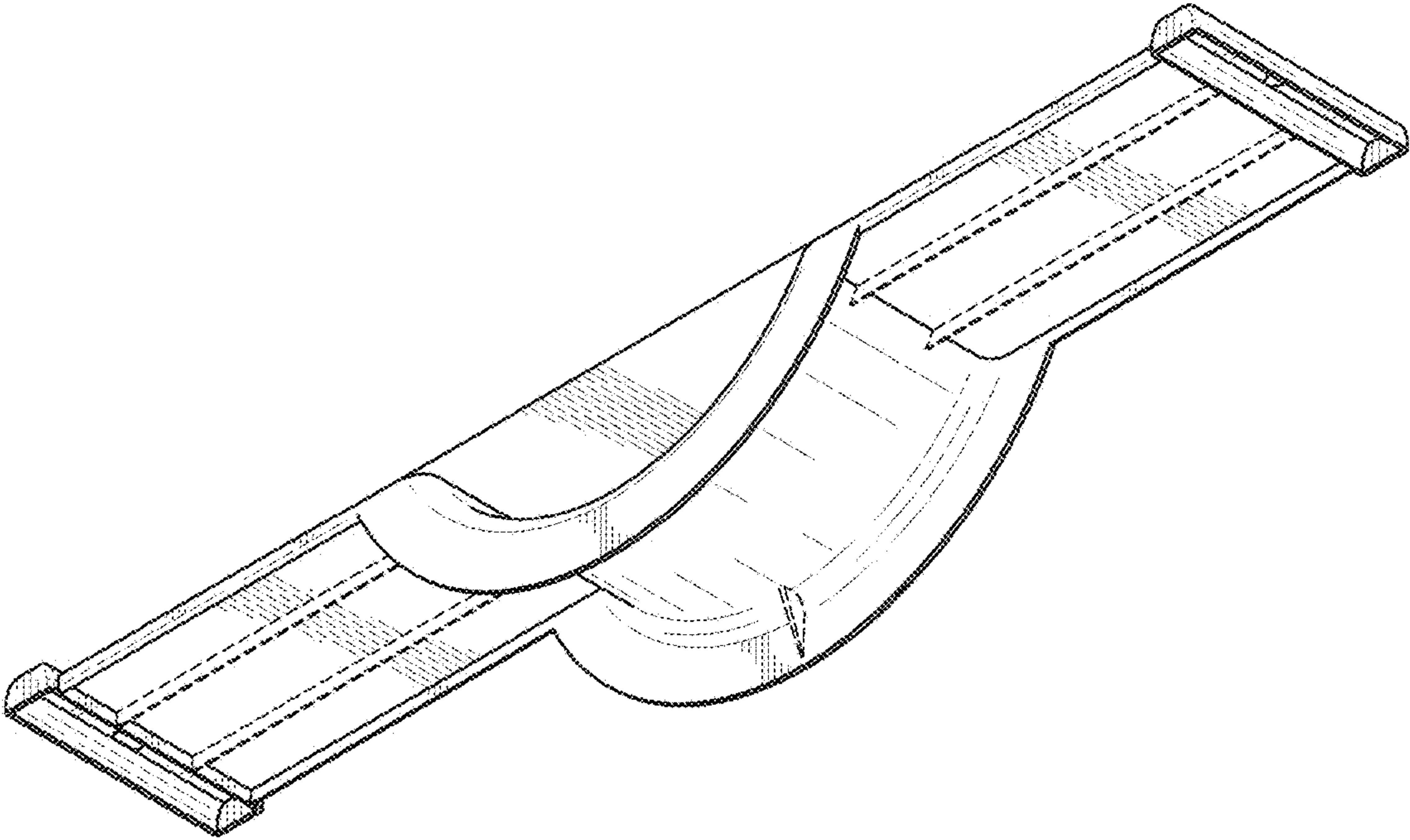


FIG. 2

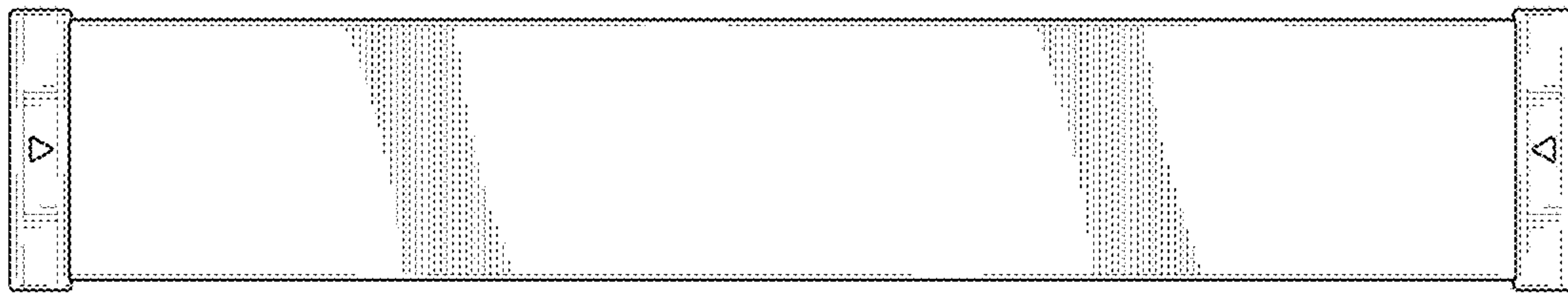


FIG. 3

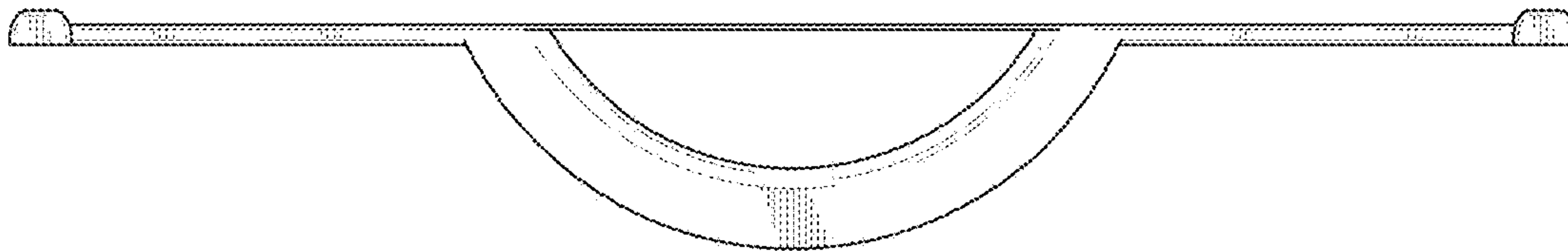


FIG. 4



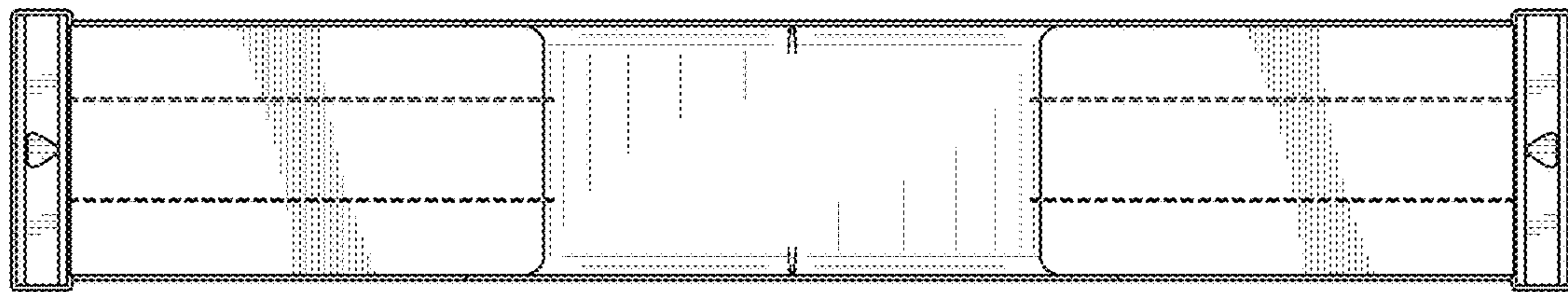


FIG. 5

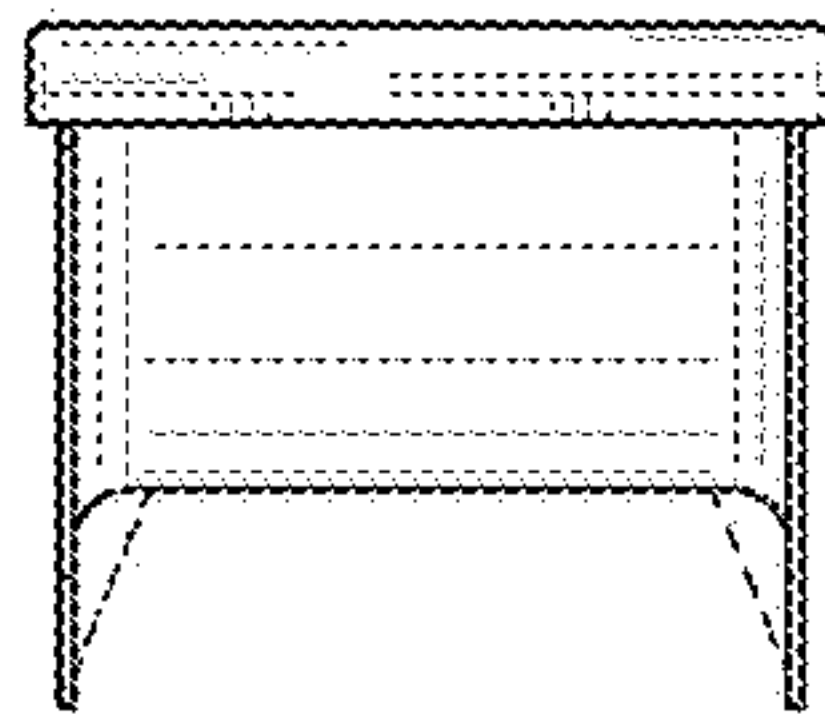


FIG. 6