



US00D843477S

(12) **United States Design Patent** (10) **Patent No.:** **US D843,477 S**
Lesley et al. (45) **Date of Patent:** **** Mar. 19, 2019**

(54) **GAMING MACHINE**

(71) Applicant: **BALLY GAMING, INC.**, Las Vegas, NV (US)

(72) Inventors: **Paul M. Lesley**, Chicago, IL (US);
Larry J. Pacey, Chicago, IL (US);
Walter E. Smolucha, Melrose Park, IL (US)

(73) Assignee: **BALLY GAMING, INC.**, Las Vegas, NV (US)

(**) Term: **15 Years**

(21) Appl. No.: **29/604,759**

(22) Filed: **May 19, 2017**

Related U.S. Application Data

(60) Continuation of application No. 29/536,824, filed on Aug. 19, 2015, now abandoned, which is a continuation of application No. 29/493,014, filed on Jun. 4, 2014, now Pat. No. Des. 742,974, which is a division of application No. 29/452,500, filed on Apr. 17, 2013, now Pat. No. Des. 712,975.

(51) **LOC (11) Cl.** **21-03**

(52) **U.S. Cl.**
USPC **D21/369; D21/385**

(58) **Field of Classification Search**
USPC D21/324-333, 369-370, 385; 273/146; 463/17.2, 42, 46-47; D14/304-309, D14/485-486; 715/781, 786
CPC ... A63F 5/00; A63F 5/04; G07F 17/32; G07F 17/3211; G07F 17/3216; G07F 17/322; G07F 17/3272; G07F 17/3283
See application file for complete search history.

(56) **References Cited**

U.S. PATENT DOCUMENTS

2,661,954 A 12/1953 Koci
D236,720 S 9/1975 Baker

D238,379 S 1/1976 Miller
4,046,419 A 9/1977 Schmitt
D264,485 S 5/1982 Kitchen
4,372,557 A 2/1983 Del Principe et al.
4,373,725 A 2/1983 Ritchie

(Continued)

FOREIGN PATENT DOCUMENTS

EP 649 671 A1 4/1995
JP 03210172 B2 9/2001

(Continued)

OTHER PUBLICATIONS

Product Sheet for "American Eagle," Eagle Co. Ltd., 1997 (2 pages).

(Continued)

Primary Examiner — Sandra L Morris

(74) *Attorney, Agent, or Firm* — Banner & Witcoff, Ltd.

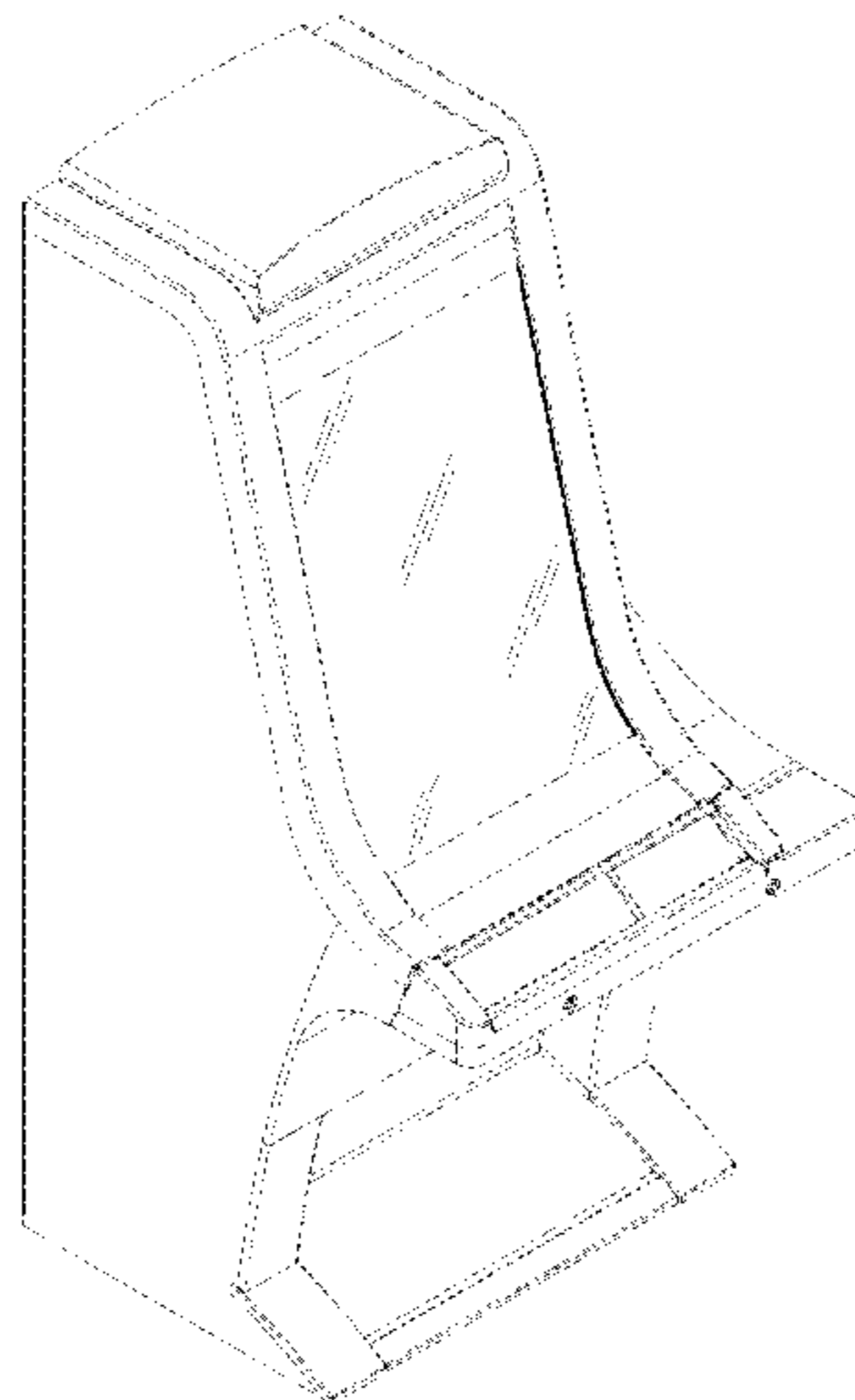
(57) **CLAIM**

The ornamental design for a gaming machine, as shown and described.

DESCRIPTION

FIG. 1 is a left front perspective view of a gaming machine showing our new design;
FIG. 2 is a right front perspective view thereof;
FIG. 3 is a front view thereof;
FIG. 4 is a top view thereof; and,
FIG. 5 is a cross-sectional view taken along 5-5 of FIG. 4. The broken line showing of the remainder of the gaming machine illustrates environmental structure and forms no part of the claimed design. The oblique line shading depicts a transparent, translucent, highly polished or reflective surface.

1 Claim, 5 Drawing Sheets



(56)

References Cited

U.S. PATENT DOCUMENTS

D275,772 S	10/1984	Akopian et al.	5,806,851 A	9/1998	Gomez et al.
D280,835 S	10/1985	Berge et al.	5,820,460 A	10/1998	Fulton
D280,836 S	10/1985	Ludzia et al.	5,833,236 A	11/1998	Oursler et al.
4,606,545 A	8/1986	Ritchie	D405,473 S	2/1999	Tikhonski et al.
4,705,274 A	11/1987	Lubeck	D407,759 S	4/1999	Isetani et al.
4,840,343 A	6/1989	Gasser	D408,366 S	4/1999	Popadiuk
4,861,037 A	8/1989	Oursler	5,890,715 A	4/1999	Gomez et al.
4,960,117 A	10/1990	Moncrief et al.	5,899,454 A	5/1999	Eddy et al.
4,981,298 A	1/1991	Lawlor et al.	5,924,690 A	7/1999	Kopera et al.
D315,110 S	3/1991	Slater	5,934,672 A	8/1999	Sines et al.
5,015,189 A	5/1991	Wenzinger	5,938,195 A	8/1999	Anghelo et al.
5,074,558 A	12/1991	Bleich et al.	5,944,309 A	8/1999	Popadiuk et al.
5,083,738 A	1/1992	Infanti	D417,145 S	11/1999	McLaughlin
5,091,677 A	2/1992	Bleich et al.	5,984,782 A	11/1999	Inoue
5,102,192 A	4/1992	Barile, Sr.	6,000,697 A	12/1999	Popadiuk et al.
5,110,120 A	5/1992	Smolucha	D419,201 S	1/2000	de Haas
5,114,112 A	5/1992	Infanti	D419,606 S	1/2000	Toriyama
5,120,058 A	6/1992	Trudeau et al.	6,036,188 A	3/2000	Gomez et al.
5,123,647 A	6/1992	Lawlor et al.	6,047,962 A	4/2000	Popadiuk
5,143,055 A	9/1992	Eakin	6,047,963 A	4/2000	Pierce et al.
5,149,094 A	9/1992	Tastad	D424,122 S	5/2000	Dickenson et al.
D333,164 S	2/1993	Kraft et al.	6,071,190 A	6/2000	Weiss et al.
5,193,807 A	3/1993	Schilling et al.	D428,062 S	7/2000	Hayashi
5,195,746 A	3/1993	Boyd et al.	6,089,663 A	7/2000	Hill
D335,150 S	4/1993	Biagi et al.	6,102,394 A	8/2000	Wurz et al.
5,226,653 A	7/1993	Bil et al.	6,113,097 A	9/2000	Krutsch et al.
5,232,191 A	8/1993	Infanti	6,117,010 A	9/2000	Canterbury et al.
5,290,034 A	3/1994	Hineman	6,120,021 A	9/2000	Piotrowski et al.
5,297,793 A	3/1994	DeMar et al.	6,129,353 A	10/2000	DeMar et al.
5,316,303 A	5/1994	Trudeau et al.	6,129,355 A	10/2000	Hahn et al.
5,322,283 A	6/1994	Ritchie et al.	6,135,449 A	10/2000	Cornell et al.
5,326,104 A	7/1994	Pease et al.	6,135,562 A	10/2000	Infanti
5,350,174 A	9/1994	Ritchie et al.	6,149,153 A	11/2000	Sheats, Jr.
D351,869 S	10/1994	Rothschild et al.	6,155,565 A	12/2000	Gomez et al.
5,351,954 A	10/1994	Oursler et al.	6,155,925 A	12/2000	Giobbi et al.
5,357,104 A	10/1994	Bleich	6,158,737 A	12/2000	Cornell et al.
5,358,241 A	10/1994	Anghelo et al.	6,159,098 A	12/2000	Slomiany et al.
5,358,242 A	10/1994	Trudeau et al.	6,164,644 A	12/2000	Cornell et al.
5,358,243 A	10/1994	Eddy et al.	6,173,955 B1	1/2001	Perrie et al.
D352,738 S	11/1994	Anghelo et al.	6,199,861 B1	3/2001	Hume et al.
5,383,663 A	1/1995	Anghelo et al.	D439,931 S	4/2001	Yamaguchi
5,405,144 A	4/1995	Ritchie et al.	6,210,279 B1	4/2001	Dickinson
5,409,296 A	4/1995	Barile	6,224,482 B1	5/2001	Bennett
5,411,257 A	5/1995	Fulton	6,227,614 B1	5/2001	Rubin
5,415,402 A	5/1995	Morrison et al.	6,227,970 B1	5/2001	Shimizu et al.
5,415,403 A	5/1995	Ritchie et al.	D443,313 S	6/2001	Brettschneider
5,417,423 A	5/1995	Oursler et al.	D446,252 S	8/2001	Yamaguchi
5,417,425 A	5/1995	Blumberg et al.	6,283,546 B1	9/2001	Hill
5,437,453 A	8/1995	Hineman	6,290,229 B1	9/2001	Perez
5,465,963 A	11/1995	Patla, Sr.	D450,094 S	11/2001	Hedrick et al.
5,472,197 A	12/1995	Gwiasda et al.	6,334,612 B1	1/2002	Wurz et al.
5,494,286 A	2/1996	DeMar et al.	6,354,660 B1	3/2002	Friedrich
5,507,488 A	4/1996	Eddy et al.	D459,402 S	6/2002	Wurz et al.
5,511,783 A	4/1996	Popadiuk et al.	6,422,670 B1	7/2002	Hedrick et al.
5,516,103 A	5/1996	Lawlor et al.	6,422,941 B1	7/2002	Thorner et al.
5,522,641 A	6/1996	Infanti	6,439,993 B1	8/2002	O'Halloran
5,524,887 A	6/1996	Trudeau et al.	D463,504 S	9/2002	Stephan
5,533,726 A	7/1996	Nordman et al.	D464,377 S	10/2002	Wurz et al.
5,542,748 A	8/1996	Barile	D465,813 S	11/2002	Randall
D376,391 S	12/1996	Okumura	D466,160 S	11/2002	Hirato et al.
5,580,052 A	12/1996	Popadiuk et al.	D467,977 S	12/2002	Gatto et al.
5,632,482 A	5/1997	Anghelo	D468,364 S	1/2003	Beadell et al.
D380,014 S	6/1997	Yang	6,530,842 B1	3/2003	Wells et al.
D382,735 S *	8/1997	Zapf D6/703.1	6,530,872 B2	3/2003	Frehland et al.
5,655,965 A	8/1997	Takemoto et al.	6,572,187 B2	6/2003	Laufer
5,664,777 A	9/1997	Nordman et al.	6,589,114 B2	7/2003	Rose
5,669,818 A	9/1997	Thorner et al.	6,609,972 B2	8/2003	Seelig et al.
5,678,886 A	10/1997	Infanti	6,616,142 B2	9/2003	Adams
5,697,612 A	12/1997	Piotrowski et al.	6,620,047 B1	9/2003	Alcorn et al.
5,704,835 A	1/1998	Dietz, II	D481,078 S	10/2003	Stephan
5,707,059 A	1/1998	Sullivan et al.	6,646,695 B1	11/2003	Gauselmann
5,720,480 A	2/1998	Lawlor et al.	6,652,378 B2	11/2003	Cannon et al.
D395,463 S	6/1998	Scott et al.	D483,075 S	12/2003	Kang
5,762,617 A	6/1998	Infanti	D484,548 S	12/2003	Franco Munoz et al.
5,791,731 A	8/1998	Infanti	D485,583 S	1/2004	Porto
			6,715,756 B2	4/2004	Inoue
			6,729,618 B1	5/2004	Koenig et al.
			D492,363 S	6/2004	Seelig et al.
			D492,364 S	6/2004	Seelig et al.

(56)

References Cited

U.S. PATENT DOCUMENTS

D492,365 S	6/2004	Munoz et al.	7,938,728 B2	5/2011	Vetter et al.
D492,676 S	7/2004	Monson et al.	7,955,176 B2	6/2011	Tastad et al.
D493,843 S	8/2004	Jackson, Sr. et al.	D641,047 S	7/2011	Tahara et al.
D493,846 S	8/2004	Seelig et al.	7,976,393 B2	7/2011	Haga et al.
D495,754 S	9/2004	Wurz et al.	7,985,139 B2	7/2011	Lind et al.
D495,755 S	9/2004	Wurz et al.	8,002,424 B2	8/2011	Hwang et al.
D498,267 S	11/2004	Crouch	8,002,626 B2	8/2011	Englman
D500,098 S	12/2004	Doi	D646,336 S	10/2011	Kelly et al.
6,880,825 B2	4/2005	Seelig et al.	D646,337 S	10/2011	Kelly et al.
D505,162 S	5/2005	Bristol et al.	D646,691 S	10/2011	Thai et al.
D508,268 S	8/2005	Hanchar et al.	D649,605 S	11/2011	Terpstra et al.
D508,269 S	8/2005	Wichinsky	D651,608 S	1/2012	Allen et al.
D508,719 S	8/2005	de Haas	8,152,623 B2	4/2012	Fiden
D508,961 S	8/2005	Gatto et al.	8,162,740 B2	4/2012	Aoki
D509,254 S	9/2005	Rasmussen et al.	8,216,061 B2	7/2012	Pacey
D509,255 S	9/2005	Bristol et al.	8,267,764 B1	9/2012	Aoki et al.
D512,105 S	11/2005	Chitrapongse et al.	D669,076 S	10/2012	Haller
D513,511 S	1/2006	Decombe	8,292,451 B2	10/2012	Hwang et al.
D515,144 S	2/2006	Boyd	8,303,420 B2	11/2012	Chudek et al.
6,997,810 B2	2/2006	Cole	8,305,743 B2	11/2012	Wu et al.
7,063,615 B2	6/2006	Alcorn et al.	8,323,114 B2	12/2012	Burak et al.
7,108,237 B2	9/2006	Gauselmann	D673,620 S	1/2013	Johnson et al.
D531,677 S	11/2006	Mallory et al.	8,353,755 B2	1/2013	Vann et al.
7,184,277 B2	2/2007	Beirne	8,371,920 B2	2/2013	Gomez et al.
D539,854 S	4/2007	Luciano et al.	8,371,927 B2	2/2013	Englman
7,247,098 B1	7/2007	Bradford et al.	8,371,928 B2	2/2013	Englman et al.
D548,801 S	8/2007	Groswirt	8,376,832 B2	2/2013	O'Connor et al.
D549,785 S	8/2007	Luciano, Jr. et al.	D678,955 S	3/2013	Lesley et al.
7,267,612 B2	9/2007	Alcorn et al.	D678,956 S	3/2013	Lesley et al.
D554,710 S	11/2007	Malone et al.	D678,957 S	3/2013	Cesaroni et al.
D556,765 S	12/2007	Evans et al.	D678,958 S	3/2013	Cesaroni et al.
D557,748 S	12/2007	Jumper	D681,130 S	4/2013	Lesley et al.
D559,328 S	1/2008	Rasmussen et al.	8,430,756 B2	4/2013	McComb et al.
D559,917 S	1/2008	Cole	D682,948 S	5/2013	Cesaroni et al.
D560,724 S	1/2008	Johnson	D685,033 S	6/2013	Wudtke
D560,725 S	1/2008	Johnson	D691,665 S	10/2013	Chudek
D563,326 S	3/2008	Patel et al.	D691,666 S	10/2013	Lesley et al.
D563,481 S	3/2008	Looks et al.	D693,343 S	11/2013	Haller
D564,600 S	3/2008	Greenberg et al.	D704,273 S	5/2014	Chudek
D564,601 S	3/2008	Strahinic et al.	D704,275 S	5/2014	Lesley et al.
D566,197 S	4/2008	Greenberg et al.	D706,741 S	6/2014	Myers
D572,314 S	7/2008	Vallejo et al.	D712,975 S	9/2014	Lesley et al.
D578,168 S	10/2008	Looks et al.	D714,875 S	10/2014	Wudtke et al.
D581,983 S	12/2008	Bergstrom	D715,364 S	10/2014	Wudtke et al.
RE40,625 E	1/2009	Wurz et al.	8,982,545 B2	3/2015	Kim et al.
7,479,066 B2	1/2009	Emori	D730,993 S	6/2015	Castro et al.
D587,272 S	2/2009	Morrow et al.	D740,888 S	10/2015	DePalma et al.
D587,319 S	2/2009	Moises Deiab	D742,974 S	11/2015	Lesley et al.
RE40,671 E	3/2009	Wurz et al.	D742,975 S	11/2015	Myers et al.
7,503,849 B2	3/2009	Hornik et al.	RE46,169 E	10/2016	Kelly et al.
D590,025 S	4/2009	Fiore	2002/0041069 A1	4/2002	Steelman
D594,068 S	6/2009	Hsu	2003/0122973 A1	7/2003	Huang
D599,365 S	9/2009	Brown et al.	2004/0018877 A1	1/2004	Tastad et al.
D599,858 S	9/2009	Lesley et al.	2004/0029631 A1	2/2004	Duhamel
D599,859 S	9/2009	Lesley et al.	2004/0053662 A1	3/2004	Pacey
D599,860 S	9/2009	Lesley et al.	2005/0014547 A1	1/2005	Gomez et al.
D601,638 S	10/2009	Palmisano	2006/0009284 A1	1/2006	Schwartz et al.
D604,368 S	11/2009	Lesley et al.	2006/0034042 A1	2/2006	Hisano et al.
7,628,693 B2	12/2009	Thomas	2006/0079316 A1	4/2006	Flemming et al.
7,666,085 B2	2/2010	Vorias et al.	2006/0131810 A1	6/2006	Nicely
7,686,689 B2	3/2010	Thomas	2006/0183553 A1	8/2006	Kiryama et al.
D613,802 S	4/2010	Meyers et al.	2006/0199638 A1	9/2006	Walker et al.
D615,598 S	5/2010	McComb et al.	2006/0281559 A1	12/2006	Luciano
7,713,119 B2	5/2010	Pacey et al.	2006/0287111 A1	12/2006	Mitchell et al.
D622,780 S	8/2010	Lesley et al.	2008/0039213 A1	2/2008	Cornell et al.
D622,781 S	8/2010	Lesley et al.	2008/0051202 A1	2/2008	Lube
D622,782 S	8/2010	Chudek et al.	2009/0174996 A1	7/2009	Park
D626,182 S	10/2010	Cole et al.	2010/0053231 A1	3/2010	Park
D626,183 S	10/2010	Cole et al.	2012/0122569 A1	5/2012	Kowolik et al.
7,811,167 B2	10/2010	Giobbi et al.	2012/0168058 A1	7/2012	Kim et al.
D631,060 S	1/2011	Flik et al.	2013/0180653 A1	7/2013	Kim et al.
D631,100 S	1/2011	Palmisano	2013/0278875 A1	10/2013	Kim et al.
D633,950 S	3/2011	Terpstra et al.	2014/0055696 A1	2/2014	Lee et al.
D637,238 S	5/2011	O'Keene et al.	2014/0092356 A1	4/2014	Ahn et al.
D637,652 S	5/2011	Tahara et al.	2014/0176856 A1	6/2014	Lee et al.
			2014/0226111 A1	8/2014	Kim
			2014/0226112 A1	8/2014	Kim
			2014/0354938 A1	12/2014	Kim
			2014/0368782 A1	12/2014	Kim et al.

(56)

References Cited

U.S. PATENT DOCUMENTS

2014/0375936 A1 12/2014 Park et al.
 2015/0000823 A1 1/2015 Kim et al.
 2015/0036073 A1 2/2015 Im et al.
 2015/0116621 A1 4/2015 Park et al.
 2015/0116625 A1 4/2015 Hwang et al.
 2015/0301390 A1 10/2015 Kim

FOREIGN PATENT DOCUMENTS

KR 10-113734 2/2012
 KR 10-2012-0051630 5/2012
 KR 10-1268471 B1 6/2013
 KR 10-1278904 B1 6/2013
 KR 10-1336677 B1 12/2013
 KR 10-1381609 B1 4/2014
 KR 10-1381610 B1 4/2014
 KR 10-2015-0013987 2/2015
 KR 10-1539221 B1 7/2015
 TW 200949775 A 12/2009

OTHER PUBLICATIONS

Product Sheet for “Monopoly Chairman of the Board™,” WMS Gaming Inc., 1999 (2 pages).
 Product Sheet for “American Eagle,” Eagle Co., Ltd., 2000 (2 pages).
 Product Sheet for “Survivor,” WMS Gaming Inc., 2001 (4 pages).
 Product Sheet for “ProSLOT®6000,” Bally Gaming Systems, 2002 (4 pages).
 Product Sheet for “EVO™ Hybrid,” Bally Gaming Systems, 2002 (4 pages).
 Product Sheet for “3RV™,” WMS Gaming Inc., 2002 or earlier (2 pages).
 Product Sheet for “Miss America,” AC Coin & Slot, 2002 or earlier (2 pages).
 Product Catalog for Ainsworth Game Technology Ltd, date estimated as early as 2007 (6 pages).
 Product Sheet for “Ultrapin™,” Global VR, 2007 (1 page).
 Brochure for “Virtual Pinball,” Tab-Austria, 2007 (8 pages).
 Catalog for Atronic®-Spielo®, date estimated as early as 2008 (2 pages).
 Product Catalog for “Alpha Elite™,” Bally Technologies, date estimated as early as 2008-2009 (2 pages).
 Cabinet Brochure for Hydako Co., date estimated as early as 2009 (1 page).
 Product Catalog for Bally Technologies, date estimated as early as 2010 (2 pages).
 Fall & Winter Catalog for Aristocrat, date estimated as early as 2010-2011 (7 pages).
 Catalog for “Your Partner Innovation,” Bally Technologies, date estimated as early as 2011 (4 pages).
 Photonics Industry and Technology Development Association (PIDA); “E-Paper Shows Potential at Creating a Paperless Haven”; OptoLink Magazine, 3 Quarter 2008; pp. 9-11 (4 pages).
 AU Optronics Corp.; News Center: “AUO Announces Multiple Upcoming Innovations”; Oct. 27, 2008; retrieved from <<http://www.auo.com/?sn=107&lang=en-US&c=10&n=363>>; (2 pages).
 DigiTimes Inc.; “FPD China 2009: AUO 8.9-inch convex display panel”; Mar. 12, 2009; retrieved from <<http://www.digitimes.com/photogallery/showphoto.asp?ID=3376>>; (3 pages).
 Gizmodo.com; “AUO Curved Displays, Ultra Thin LCDs On The Way”; May 20, 2008; retrieved from <<http://gizmodo.com/392248/auo-curved-displays-ultra-thin-lcds-on-the-way>>; (2 pages).

PC World; “AU Optronics Shows Off Curved LCD Screen”; May 20, 2008; retrieved from <<http://www.pcworld.com/article/146083/article.amp.html>> (3 pages).

DailyTech; “AUO Shows Off Curved Display and Touch Screen”; May 23, 2008; retrieved from <<http://www.dailytech.com/AUO+Shows+Off+Curved+Display+and+Touch3+Screen+Tech/article11845.htm>>; (2 pages).

OLED-Info; “LG Phillips LCD Develops 14.3-Inch Color E-Paper Display”; Jan. 4, 2008; retrieved from <http://www.oled-info.com/lg/lg_phillips_lcd_develops_14_3_inch_color_e_paper_display>; (2 pages).

NewLaunches; “LG Phillips LCD develops world’s highest resolution 14.3-inch flexible color E-paper display!”; Jan. 2, 2008; retrieved from <http://newlaunches.com/archives/lgphillips_lcd_develops_worlds_highest_resolution_143inch_flexible_color_epaper_display.php>; (4 pages).

Wood, M., Major, C., Carr, V. eds.; “Curved Screens: Worth It?” video found at <<https://www.nytimes.com/video/technology/personaltech/10000002788325/curved-screens-worth-it.html>>; New York Times; Mar. 26, 2014.

Immersaview; “Why choose a Curved Screen for your Multi-Projector Setup”; Jan. 28, 2016; retrieved from <<http://www.immersaview.com/resources/why-curved/>> (7 pages).

Denison; “Why can’t you buy a flat OLED yet? The curve isn’t just about viewing experience”; Digital Trends; Aug. 18, 2013; retrieved from <<http://www.digitaltrends.com/home-theater/why-did-the-us-get-stuck-with-curved-oled/#1zXypT>> (8 pages).

Wilcox; “LG, Samsung, and Sony throw TV buyers a curve”; Consumer Reports; Sep. 10, 2013; retrieved from <<http://www.consumerreports.org/cro/news/2013/09/curved-tv-screens/index.htm#>> (1 page).

Snider; “Sony tosses latest pitch for curved TV displays”; USA Today; Oct. 15, 2013; retrieved from <<http://www.usatoday.com/story/tech/personal/2013/10/15/new-curved-sony-led-hdtv/2982051/>> (2 pages).

Morrison; “Curved OLED HDTV screens are a bad idea (for now)”; CNET; Jun. 18, 2013; retrieved from <<https://www.cnet.com/news/curved-oled-hdtv-screens-are-a-bad-idea-for-now/>> (9 pages).

Cochran; “Why Samsung’s curved-screen TV might be a ‘game changer’”; CBS News; Aug. 14, 2013; retrieved from <<http://www.cbsnews.com/news/why-samsungs-curved-screen-tv-might-be-a-game-changer/>> (3 pages).

Kelly; “TV trends at CES: 4K, curves and smart TVs”; CNN; Jan. 8, 2014; retrieved from <<http://www.cnn.com/2014/01/07/tech/gaming-gadgets/ces-television-trends/>> (5 pages).

Manjoo; “TV Makers Are Out of Ideas”; Wall Street Journal; Jan. 8, 2014; retrieved from <<https://www.wsj.com/news/articles/SB10001424052702303393804579308801012230792>> (4 pages).

Daniel; “Curved Monitors—Overview”; Curved Monitor Test; Aug. 28, 2015; retrieved from <<http://www.curved-monitor-test.de/>> (5 pages).

Matthias; “Curved TV—Overview”; Curved TV Test; Apr. 20, 2016; retrieved from <<https://technikblog.net/fernseher-test/curved-tv/>> (16 pages, in German).

Ljt216; “Flat Screen vs. Curved CRTs for Retro Games”; Reddit; Jul. 29, 2015; retrieved from <https://www.reddit.com/r/gamecollecting/comments/3f25r0/flat_screen_vs_curved_crts_for_retro_games/> (4 pages).

Co-Pending Design U.S. Appl. No. 29/536,824, filed Aug. 19, 2015.
 Co-pending Design U.S. Appl. No. 29/559,629, filed Mar. 30, 2016.
 Co-pending Design U.S. Appl. No. 29/559,613, filed Mar. 30, 2016.
 Co-pending Design U.S. Appl. No. 29/559,593, filed Mar. 30, 2016.

* cited by examiner

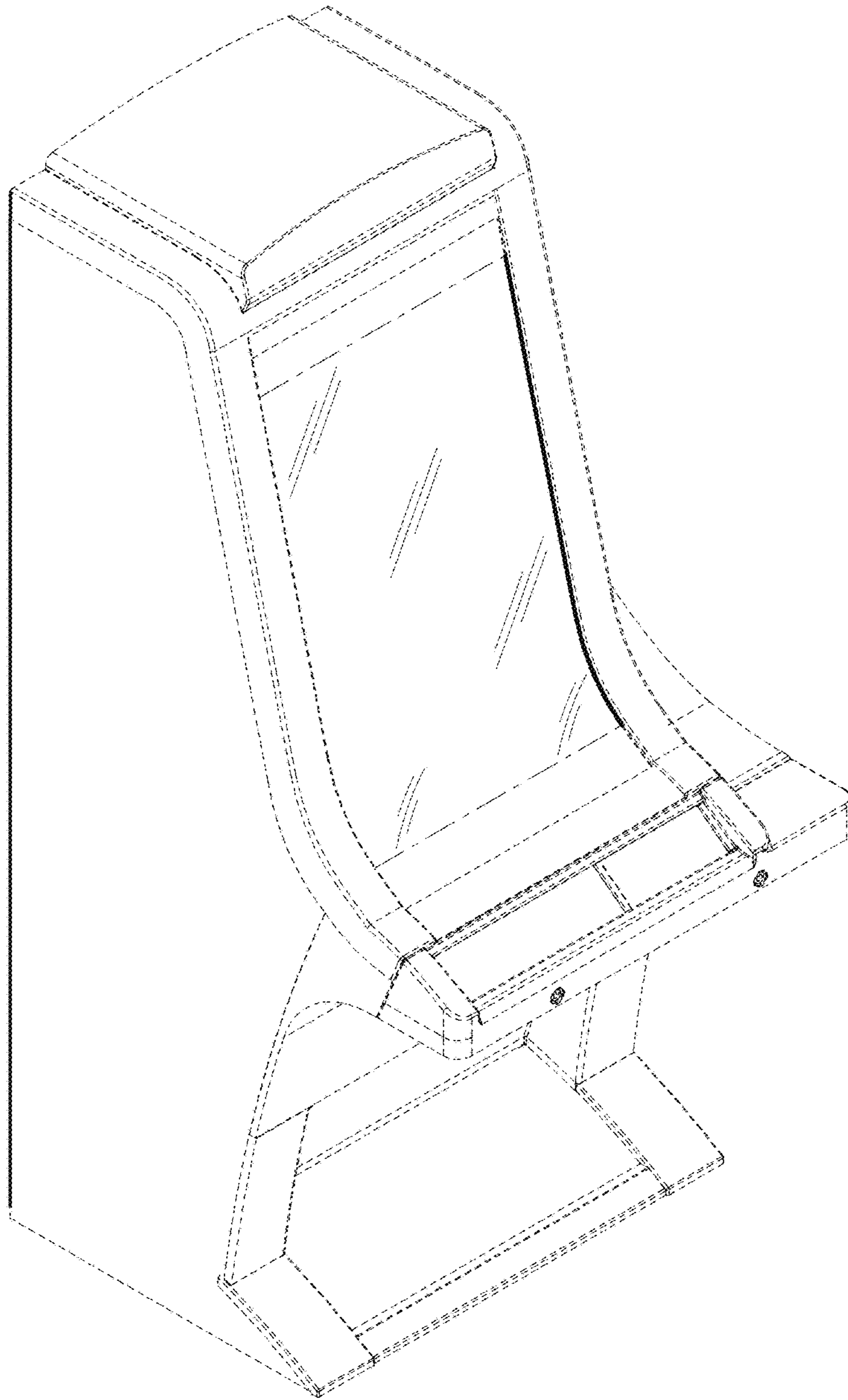


FIG. 1

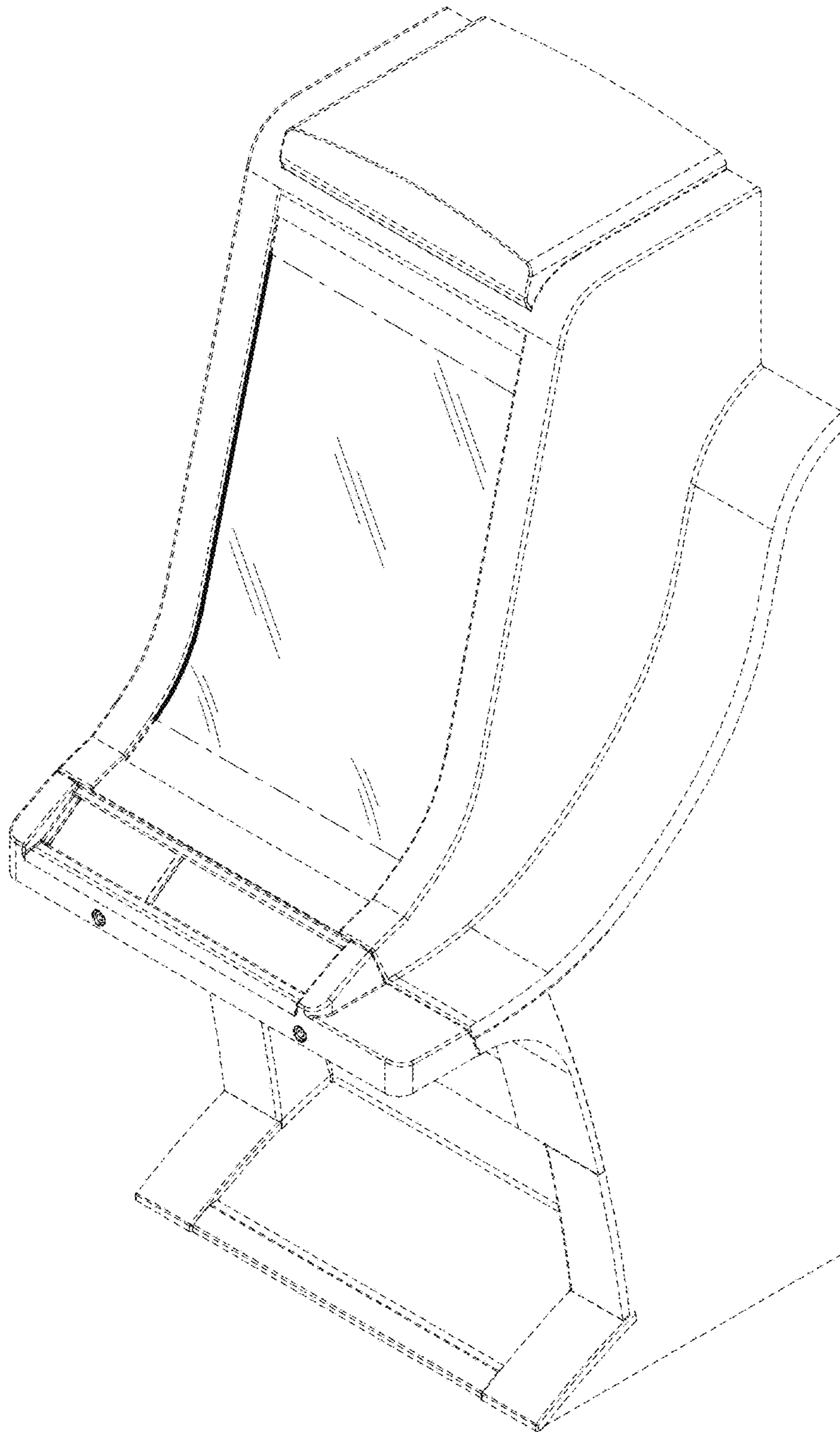


FIG. 2

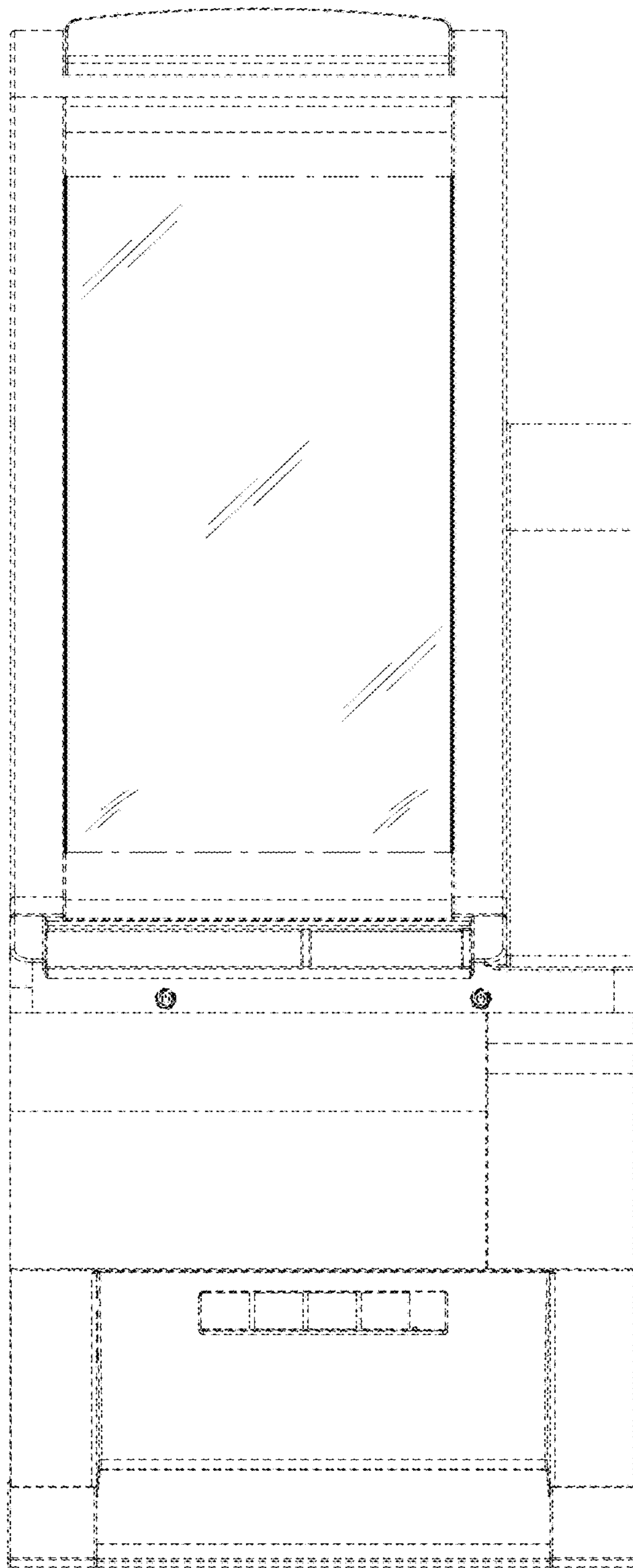


FIG. 3

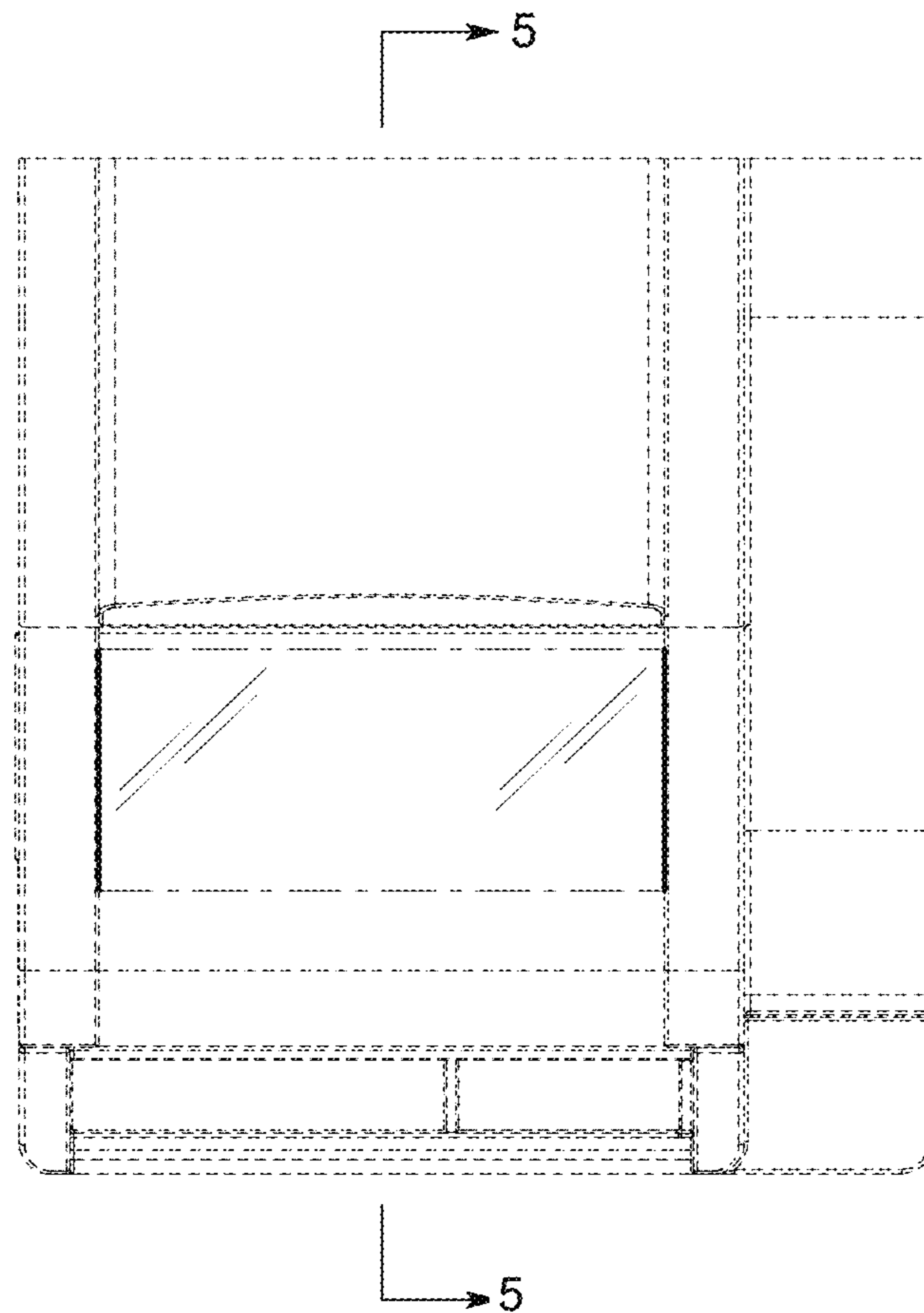


FIG. 4

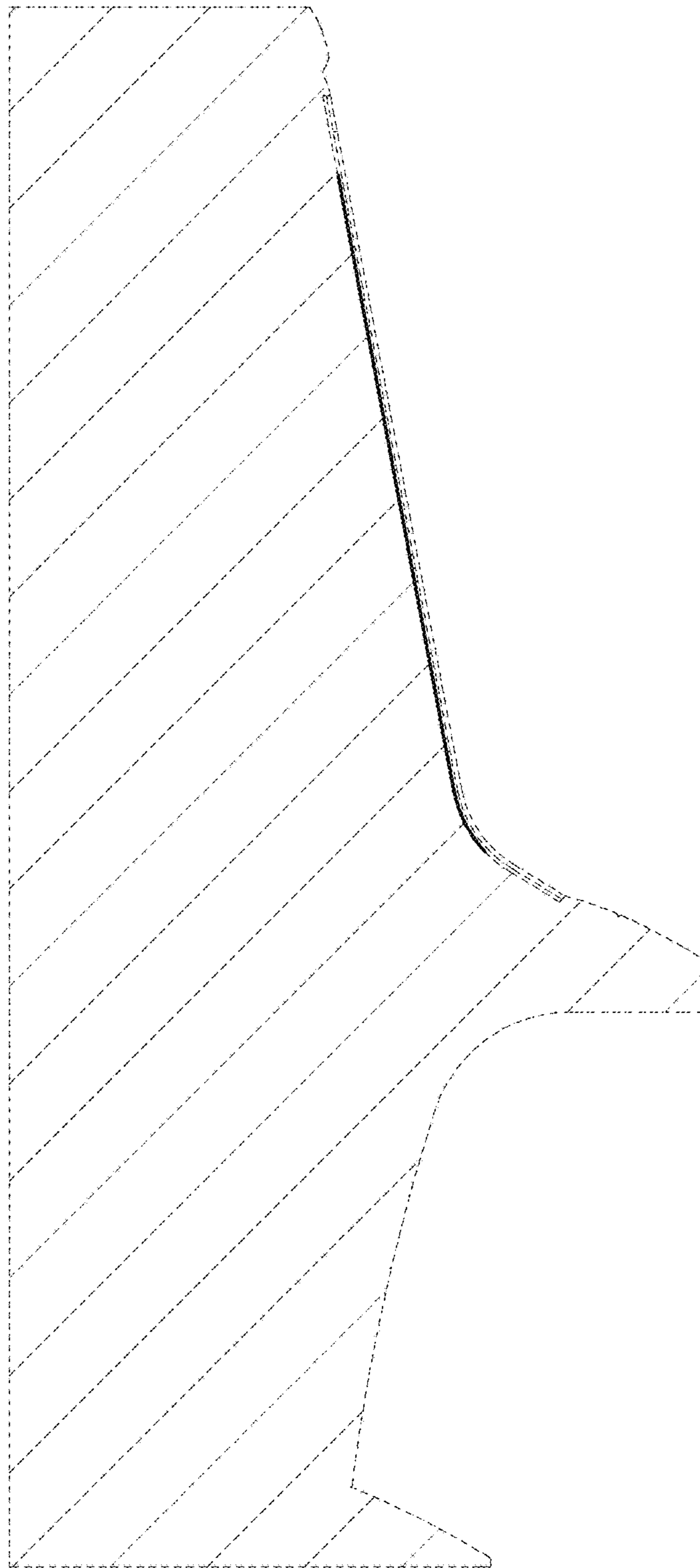


FIG. 5