



US00D843474S

(12) **United States Design Patent** (10) **Patent No.:** **US D843,474 S**
Lesley et al. (45) **Date of Patent:** **** Mar. 19, 2019**

- | | | |
|---|--|--|
| (54) GAMING MACHINE | 4,046,419 A
D264,485 S | 9/1977 Schmitt
5/1982 Kitchen |
| (71) Applicant: BALLY GAMING, INC. , Las Vegas, NV (US) | 4,372,557 A
4,373,725 A
D275,772 S | 2/1983 Del Principe et al.
2/1983 Ritchie
10/1984 Akopian et al. |
| (72) Inventors: Paul M. Lesley , Blue Island, IL (US);
Larry J. Pacey , Chicago, IL (US);
Walter E. Smolucha , Melrose Park, IL (US) | D280,835 S
D280,836 S
4,606,545 A
4,705,274 A
4,840,343 A
4,861,037 A | 10/1985 Berge et al.
10/1985 Ludzia et al.
8/1986 Ritchie
11/1987 Lubeck
6/1989 Gasser
8/1989 Oursler |
| (73) Assignee: BALLY GAMING, INC. , Las Vegas, NV (US) | 4,960,117 A
4,981,298 A
D315,110 S
5,015,189 A | 10/1990 Moncrief et al.
1/1991 Lawlor et al.
3/1991 Slater
5/1991 Wenzinger |
| (**) Term: 15 Years | 5,074,558 A
5,083,738 A
5,091,677 A | 12/1991 Bleich et al.
1/1992 Infanti
2/1992 Bleich et al. |
| (21) Appl. No.: 29/604,747 | 5,102,192 A
5,110,120 A
5,114,112 A | 4/1992 Barile, Sr.
5/1992 Smolucha
5/1992 Infanti |
| (22) Filed: May 19, 2017 | 5,120,058 A
5,123,647 A
5,143,055 A | 6/1992 Trudeau et al.
6/1992 Lawlor et al.
9/1992 Eakin |

Related U.S. Application Data

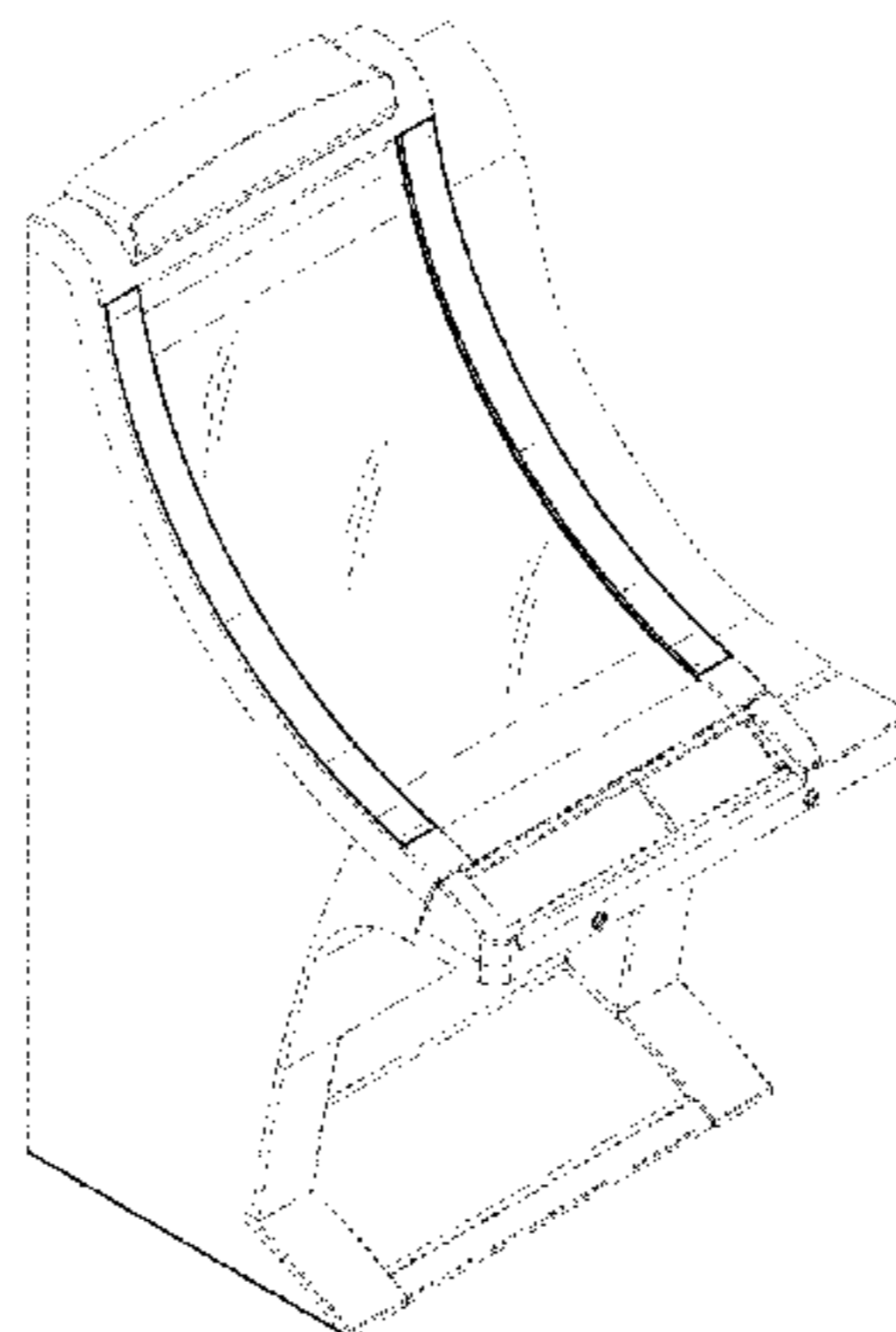
- (60) Continuation of application No. 29/563,824, filed on May 9, 2016, now Pat. No. Des. 799,568, which is a continuation of application No. 29/493,014, filed on Jun. 4, 2014, now Pat. No. Des. 742,974, which is a division of application No. 29/452,500, filed on Apr. 17, 2013, now Pat. No. Des. 712,975.
- (51) **LOC (11) Cl.** **21-03**
- (52) **U.S. Cl.**
USPC **D21/369**; D21/385
- (58) **Field of Classification Search**
USPC D21/324-333, 369-370, 385; 273/146;
463/17.2, 42, 46-47; D14/304-309,
D14/485-486; 715/781, 786
CPC ... A63F 5/00; A63F 5/04; G07F 17/32; G07F
17/3211; G07F 17/3216; G07F 17/322;
G07F 17/3272; G07F 17/3283
See application file for complete search history.

- | | | |
|-------------|---------|-------------------|
| 5,149,094 A | 9/1992 | Tastad |
| D333,164 S | 2/1993 | Kraft et al. |
| 5,193,807 A | 3/1993 | Schilling et al. |
| 5,195,746 A | 3/1993 | Boyd et al. |
| D335,150 S | 4/1993 | Biagi et al. |
| 5,226,653 A | 7/1993 | Bil et al. |
| 5,232,191 A | 8/1993 | Infanti |
| 5,290,034 A | 3/1994 | Hineman |
| 5,297,793 A | 3/1994 | DeMar et al. |
| 5,316,303 A | 5/1994 | Trudeau et al. |
| 5,322,283 A | 6/1994 | Ritchie et al. |
| 5,326,104 A | 7/1994 | Pease et al. |
| 5,350,174 A | 9/1994 | Ritchie et al. |
| D351,869 S | 10/1994 | Rothschild et al. |
| 5,351,954 A | 10/1994 | Oursler et al. |
| 5,357,104 A | 10/1994 | Bleich |
| 5,358,241 A | 10/1994 | Anghelo et al. |
| 5,358,242 A | 10/1994 | Trudeau et al. |
| 5,358,243 A | 10/1994 | Eddy et al. |
| D352,738 S | 11/1994 | Anghelo et al. |
| 5,383,663 A | 1/1995 | Anghelo et al. |
| 5,405,144 A | 4/1995 | Ritchie et al. |
| 5,409,296 A | 4/1995 | Barile |
| 5,411,257 A | 5/1995 | Fulton |
| 5,415,402 A | 5/1995 | Morrison et al. |
| 5,415,403 A | 5/1995 | Ritchie et al. |
| 5,417,423 A | 5/1995 | Oursler et al. |
| 5,417,425 A | 5/1995 | Blumberg et al. |
| 5,437,453 A | 8/1995 | Hineman |

(56) **References Cited**

U.S. PATENT DOCUMENTS

- | | | |
|-------------|---------|--------|
| 2,661,954 A | 12/1953 | Koci |
| D236,720 S | 9/1975 | Baker |
| D238,379 S | 1/1976 | Miller |



US D843,474 S

Page 2

5,465,963 A	11/1995	Patla, Sr.	6,422,941 B1	7/2002	Thorner et al.
5,472,197 A	12/1995	Gwiasda et al.	6,439,993 B1	8/2002	O'Halloran
5,494,286 A	2/1996	DeMar et al.	D463,504 S	9/2002	Stephan
5,507,488 A	4/1996	Eddy et al.	D464,377 S	10/2002	Wurz et al.
5,511,783 A	4/1996	Popadiuk et al.	D465,813 S	11/2002	Randall
5,516,103 A	5/1996	Lawlor et al.	D466,160 S	11/2002	Hirato et al.
5,522,641 A	6/1996	Infanti	D467,977 S	12/2002	Gatto et al.
5,524,887 A	6/1996	Trudeau et al.	D468,364 S	1/2003	Beadell et al.
5,533,726 A	7/1996	Nordman et al.	6,530,842 B1	3/2003	Wells et al.
5,542,748 A	8/1996	Barile	6,530,872 B2	3/2003	Frehland et al.
D376,391 S	12/1996	Okumura	6,572,187 B2	6/2003	Laufer
5,580,052 A	12/1996	Popadiuk et al.	6,589,114 B2	7/2003	Rose
5,632,482 A	5/1997	Anghelo	6,609,972 B2	8/2003	Seelig et al.
D380,014 S	6/1997	Yang	6,616,142 B2	9/2003	Adams
5,655,965 A	8/1997	Takemoto et al.	6,620,047 B1	9/2003	Alcorn et al.
5,664,777 A	9/1997	Nordman et al.	D481,078 S	10/2003	Stephan
5,669,818 A	9/1997	Thorner et al.	6,646,695 B1	11/2003	Gauselmann
5,678,886 A	10/1997	Infanti	6,652,378 B2	11/2003	Cannon et al.
5,697,612 A	12/1997	Piotrowski et al.	D483,075 S	12/2003	Kang
5,704,835 A	1/1998	Dietz, II	D484,548 S	12/2003	Franco Munoz et al.
5,707,059 A	1/1998	Sullivan et al.	D485,583 S	1/2004	Porto
5,720,480 A	2/1998	Lawlor et al.	6,715,756 B2	4/2004	Inoue
D395,463 S	6/1998	Scott et al.	6,729,618 B1	5/2004	Koenig et al.
5,762,617 A	6/1998	Infanti	D492,363 S	6/2004	Seelig et al.
5,791,731 A	8/1998	Infanti	D492,364 S	6/2004	Seelig et al.
5,806,851 A	9/1998	Gomez et al.	D492,365 S	6/2004	Munoz et al.
5,820,460 A	10/1998	Fulton	D492,676 S	7/2004	Monson et al.
5,833,236 A	11/1998	Oursler et al.	D493,843 S	8/2004	Jackson, Sr. et al.
D405,473 S	2/1999	Tikhonski et al.	D493,846 S	8/2004	Seelig et al.
D407,759 S	4/1999	Isetani et al.	D495,754 S	9/2004	Wurz et al.
D408,366 S	4/1999	Popadiuk	D495,755 S	9/2004	Wurz et al.
5,890,715 A	4/1999	Gomez et al.	D498,267 S	11/2004	Crouch
5,899,454 A	5/1999	Eddy et al.	D500,098 S	12/2004	Doi
5,924,690 A	7/1999	Kopera et al.	6,880,825 B2	4/2005	Seelig et al.
5,934,672 A	8/1999	Sines et al.	D505,162 S	5/2005	Bristol et al.
5,938,195 A	8/1999	Anghelo et al.	D508,268 S	8/2005	Hanchar et al.
5,944,309 A	8/1999	Popadiuk et al.	D508,269 S	8/2005	Wichinsky
D417,145 S	11/1999	McLaughlin	D508,719 S	8/2005	de Haas
5,984,782 A	11/1999	Inoue	D508,961 S	8/2005	Gatto et al.
6,000,697 A	12/1999	Popadiuk et al.	D509,254 S	9/2005	Rasmussen et al.
D419,201 S	1/2000	de Haas	D509,255 S	9/2005	Bristol et al.
D419,606 S	1/2000	Toriyama	D512,105 S	11/2005	Chitrapongse et al.
6,036,188 A	3/2000	Gomez et al.	D513,511 S	1/2006	Decombe
6,047,962 A	4/2000	Popadiuk	D515,144 S	2/2006	Boyd
6,047,963 A	4/2000	Pierce et al.	6,997,810 B2	2/2006	Cole
D424,122 S	5/2000	Dickenson et al.	7,063,615 B2	6/2006	Alcorn et al.
6,071,190 A	6/2000	Weiss et al.	7,108,237 B2	9/2006	Gauselmann
D428,062 S	7/2000	Hayashi	D531,677 S	11/2006	Mallory et al.
6,089,663 A	7/2000	Hill	7,184,277 B2	2/2007	Beirne
6,102,394 A	8/2000	Wurz et al.	D539,854 S	4/2007	Luciano et al.
6,113,097 A	9/2000	Krutsch et al.	7,247,098 B1	7/2007	Bradford et al.
6,117,010 A	9/2000	Canterbury et al.	D548,801 S	8/2007	Groswirt
6,120,021 A	9/2000	Piotrowski et al.	D549,785 S	8/2007	Luciano, Jr. et al.
6,129,353 A	10/2000	DeMar et al.	7,267,612 B2	9/2007	Alcorn et al.
6,129,355 A	10/2000	Hahn et al.	D554,710 S	11/2007	Malone et al.
6,135,449 A	10/2000	Cornell et al.	D556,765 S	12/2007	Evans et al.
6,135,562 A	10/2000	Infanti	D557,748 S	12/2007	Jumper
6,149,153 A	11/2000	Sheats, Jr.	D559,328 S	1/2008	Rasmussen et al.
6,155,565 A	12/2000	Gomez et al.	D559,917 S	1/2008	Cole
6,155,925 A	12/2000	Giobbi et al.	D560,724 S	1/2008	Johnson
6,158,737 A	12/2000	Cornell et al.	D560,725 S	1/2008	Johnson
6,159,098 A	12/2000	Slomiany et al.	D563,326 S	3/2008	Patel et al.
6,164,644 A	12/2000	Cornell et al.	D563,481 S	3/2008	Looks et al.
6,173,955 B1	1/2001	Perrie et al.	D564,600 S	3/2008	Greenberg et al.
6,199,861 B1	3/2001	Hume et al.	D564,601 S	3/2008	Strahinic et al.
D439,931 S	4/2001	Yamaguchi	D566,197 S	4/2008	Greenberg et al.
6,210,279 B1	4/2001	Dickinson	D572,314 S	7/2008	Vallejo et al.
6,224,482 B1	5/2001	Bennett	D578,168 S	10/2008	Looks et al.
6,227,614 B1	5/2001	Rubin	D581,983 S	12/2008	Bergstrom
6,227,970 B1	5/2001	Shimizu et al.	RE40,625 E	1/2009	Wurz et al.
D443,313 S	6/2001	Brettschneider	7,479,066 B2	1/2009	Emori
D446,252 S	8/2001	Yamaguchi	D587,272 S	2/2009	Morrow et al.
6,283,546 B1	9/2001	Hill	D587,319 S	2/2009	Moises Deiab
6,290,229 B1	9/2001	Perez	RE40,671 E	3/2009	Wurz et al.
D450,094 S	11/2001	Hedrick et al.	7,503,849 B2	3/2009	Hornik et al.
6,334,612 B1	1/2002	Wurz et al.	D590,025 S	4/2009	Fiore
6,354,660 B1	3/2002	Friedrich	D594,068 S	6/2009	Hsu
D459,402 S	6/2002	Wurz et al.	D599,365 S	9/2009	Brown et al.
6,422,670 B1	7/2002	Hedrick et al.	D599,858 S	9/2009	Lesley et al.

D599,859 S 9/2009 Lesley et al.
 D599,860 S 9/2009 Lesley et al.
 D601,638 S 10/2009 Palmisano
 D604,368 S 11/2009 Lesley et al.
 7,628,693 B2 12/2009 Thomas
 7,666,085 B2 2/2010 Vorias et al.
 7,686,689 B2 3/2010 Thomas
 D613,802 S 4/2010 Meyers et al.
 D615,598 S 5/2010 McComb et al.
 7,713,119 B2 5/2010 Pacey et al.
 D622,780 S 8/2010 Lesley et al.
 D622,781 S 8/2010 Lesley et al.
 D622,782 S 8/2010 Chudek et al.
 D626,182 S 10/2010 Cole et al.
 D626,183 S 10/2010 Cole et al.
 7,811,167 B2 10/2010 Giobbi et al.
 D631,060 S 1/2011 Flik et al.
 D631,100 S 1/2011 Palmisano
 D633,950 S 3/2011 Terpstra et al.
 D637,238 S 5/2011 O'Keene et al.
 D637,652 S 5/2011 Tahara et al.
 7,938,728 B2 5/2011 Vetter et al.
 7,955,176 B2 6/2011 Tastad et al.
 D641,047 S 7/2011 Tahara et al.
 7,976,393 B2 7/2011 Haga et al.
 7,985,139 B2 7/2011 Lind et al.
 8,002,424 B2 8/2011 Hwang et al.
 8,002,626 B2 8/2011 Englman
 D646,336 S 10/2011 Kelly et al.
 D646,337 S 10/2011 Kelly et al.
 D646,691 S 10/2011 Thai et al.
 D649,605 S 11/2011 Terpstra et al.
 D651,608 S 1/2012 Allen et al.
 8,152,623 B2 4/2012 Fiden
 8,162,740 B2 4/2012 Aoki
 8,216,061 B2 7/2012 Pacey
 8,267,764 B1 9/2012 Aoki et al.
 D669,076 S 10/2012 Haller
 8,292,451 B2 10/2012 Hwang et al.
 8,303,420 B2 11/2012 Chudek et al.
 8,305,743 B2 11/2012 Wu et al.
 8,323,114 B2 12/2012 Burak et al.
 D673,620 S 1/2013 Johnson et al.
 8,353,755 B2 1/2013 Vann et al.
 8,371,920 B2 2/2013 Gomez et al.
 8,371,927 B2 2/2013 Englman
 8,371,928 B2 2/2013 Englman et al.
 8,376,832 B2 2/2013 O'Connor et al.
 D678,955 S 3/2013 Lesley et al.
 D678,956 S 3/2013 Lesley et al.
 D678,957 S 3/2013 Cesaroni et al.
 D678,958 S 3/2013 Cesaroni et al.
 D681,130 S 4/2013 Lesley et al.
 8,430,756 B2 4/2013 McComb et al.
 D682,948 S 5/2013 Cesaroni et al.
 D685,033 S 6/2013 Wudtke
 D691,665 S 10/2013 Chudek
 D691,666 S 10/2013 Lesley et al.
 D693,343 S 11/2013 Haller
 D704,273 S 5/2014 Chudek
 D704,275 S 5/2014 Lesley et al.
 D706,741 S 6/2014 Myers
 D712,975 S 9/2014 Lesley et al.
 D714,875 S 10/2014 Wudtke et al.
 D715,364 S 10/2014 Wudtke et al.
 8,982,545 B2 3/2015 Kim et al.
 D730,993 S 6/2015 Castro et al.
 D740,888 S 10/2015 DePalma et al.
 D742,974 S 11/2015 Lesley et al.
 D742,975 S 11/2015 Myers et al.
 RE46,169 E 10/2016 Kelly et al.
 2002/0041069 A1 4/2002 Steelman
 2003/0122973 A1 7/2003 Huang
 2004/0018877 A1 1/2004 Tastad et al.
 2004/0029631 A1 2/2004 Duhamel
 2004/0053662 A1 3/2004 Pacey
 2005/0014547 A1 1/2005 Gomez et al.
 2006/0009284 A1 1/2006 Schwartz et al.
 2006/0034042 A1 2/2006 Hisano et al.

2006/0079316 A1 4/2006 Flemming et al.
 2006/0131810 A1 6/2006 Nicely
 2006/0183553 A1 8/2006 Kiriya et al.
 2006/0199638 A1 9/2006 Walker et al.
 2006/0281559 A1 12/2006 Luciano
 2006/0287111 A1 12/2006 Mitchell et al.
 2008/0039213 A1 2/2008 Cornell et al.
 2008/0051202 A1 2/2008 Lube
 2009/0174996 A1 7/2009 Park
 2010/0053231 A1 3/2010 Park
 2012/0122569 A1 5/2012 Kowolik et al.
 2012/0168058 A1 7/2012 Kim et al.
 2013/0180653 A1 7/2013 Kim et al.
 2013/0278875 A1 10/2013 Kim et al.
 2014/0055696 A1 2/2014 Lee et al.
 2014/0092356 A1 4/2014 Ahn et al.
 2014/0176856 A1 6/2014 Lee et al.
 2014/0226111 A1 8/2014 Kim
 2014/0226112 A1 8/2014 Kim
 2014/0354938 A1 12/2014 Kim
 2014/0368782 A1 12/2014 Kim et al.
 2014/0375936 A1 12/2014 Park et al.
 2015/0000823 A1 1/2015 Kim et al.
 2015/0036073 A1 2/2015 Im et al.
 2015/0116621 A1 4/2015 Park et al.
 2015/0116625 A1 4/2015 Hwang et al.
 2015/0301390 A1 10/2015 Kim

FOREIGN PATENT DOCUMENTS

EP 649 671 A1 4/1995
 JP 03210172 B2 9/2001
 KR 10-113734 2/2012
 KR 10-2012-0051630 5/2012
 KR 10-1268471 B1 6/2013
 KR 10-1278904 B1 6/2013
 KR 10-1336677 B1 12/2013
 KR 10-1381609 B1 4/2014
 KR 10-1381610 B1 4/2014
 KR 10-2015-0013987 2/2015
 KR 10-1539221 B1 7/2015
 TW 200949775 A 12/2009

OTHER PUBLICATIONS

Product Sheet for "American Eagle," Eagle Co. Ltd., 1997 (2 pages).
 Product Sheet for "Monopoly Chairman of the Board™," WMS Gaming Inc., 1999 (2 pages).
 Product Sheet for "American Eagle," Eagle Co., Ltd., 2000 (2 pages).
 Product Sheet for "Survivor," WMS Gaming Inc., 2001 (4 pages).
 Product Sheet for "ProSLOT® 6000," Bally Gaming Systems, 2002 (4 pages).
 Product Sheet for "EVO™ Hybrid," Bally Gaming Systems, 2002 (4 pages).
 Product Sheet for "3RV™," WMS Gaming Inc., 2002 or earlier (2 pages).
 Product Sheet for "Miss America," AC Coin & Slot, 2002 or earlier (2 pages).
 Product Catalog for Ainsworth Game Technology Ltd, date estimated as early as 2007 (6 pages).
 Product Sheet for "Ultrapin™," Global VR, 2007 (1 page).
 Brochure for "Virtual Pinball," Tab-Austria, 2007 (8 pages).
 Catalog for Atronic®-Spielo®, date estimated as early as 2008 (2 pages).
 Product Catalog for "Alpha Elite™," Bally Technologies, date estimated as early as 2008-2009 (2 pages).
 Cabinet Brochure for Hydako Co., date estimated as early as 2009 (1 page).
 Product Catalog for Bally Technologies, date estimated as early as 2010 (2 pages).
 Fall & Winter Catalog for Aristocrat, date estimated as early as 2010-2011 (7 pages).

Catalog for “Your Partner Innovation,” Bally Technologies, date estimated as early as 2011 (4 pages).

Photonics Industry and Technology Development Association (PIDA); “E-Paper Shows Potential at Creating a Paperless Haven”; OptoLink Magazine, 3 Quarter 2008; pp. 9-11 (4 pages).

AU Optronics Corp.; News Center: “AUO Announces Multiple Upcoming Innovations”; Oct. 27, 2008; retrieved from <<http://www.auo.com/?sn=107&lang=en-US&c=10&n=363>>; (2 pages).

DigiTimes Inc.; “FPD China 2009: AUO 8.9-inch convex display panel”; Mar. 12, 2009; retrieved from <<http://www.digitimes.com/photogallery/showphoto.asp?ID=3376>>; (3 pages).

Gizmodo.com; “AUO Curved Displays, Ultra Thin LCDs On The Way”; May 20, 2008; retrieved from <<http://gizmodo.com/392248/auo-curved-displays-ultra-thin-lcds-on-the-way>>; (2 pages).

PC World; “AU Optronics Shows Off Curved LCD Screen”; May 20, 2008; retrieved from <<http://www.pcworld.com/article/146083/article.amp.html>> (3 pages).

DailyTech; “AUO Shows Off Curved Display and Touch Screen”; May 23, 2008; retrieved from <<http://www.dailytech.com/AUO+Shows+Off+Curved+Display+and+Touch+Screen+Tech/article11845.htm>>; (2 pages).

OLED-Info; “LG Phillips LCD Develops 14.3-Inch Color E-Paper Display”; Jan. 4, 2008; retrieved from <http://www.oled-info.com/lg/lg_phillips_lcd_develops_14_3_inch_color_e_paper_display>; (2 pages).

NewLaunches; “LG Phillips LCD develops world’s highest resolution 14.3-inch flexible color E-paper display!”; Jan. 2, 2008; retrieved from <http://newlaunches.com/archives/lgphillips_lcd_develops_worlds_highest_resolution_143inch_flexible_color_epaper_display.php>; (4 pages).

Wood, M., Major, C., Carr, V. eds.; “Curved Screens: Worth It?” video found at <<https://www.nytimes.com/video/technology/personaltech/10000002788325/curved-screens-worth-it.html>>; New York Times; Mar. 26, 2014.

Immersaview; “Why choose a Curved Screen for your Multi-Projector Setup”; Jan. 28, 2016; retrieved from <<http://www.immersaview.com/resources/why-curved/>> (7 pages).

Denison; “Why can’t you buy a flat OLED yet? The curve isn’t just about viewing experience”; Digital Trends; Aug. 18, 2013; retrieved from <<http://www.digitaltrends.com/home-theater/why-did-the-us-get-stuck-with-curved-oled/#!zXypT>> (8 pages).

Wilcox; “LG, Samsung, and Sony throw TV buyers a curve”; Consumer Reports; Sep. 10, 2013; retrieved from <<http://www.consumerreports.org/cro/news/2013/09/curved-tv-screens/index.htm#>> (1 page).

Snider; “Sony tosses latest pitch for curved TV displays”; USA Today; Oct. 15, 2013; retrieved from <<http://www.usatoday.com/story/tech/personal/2013/10/15/new-curved-sony-led-hdtv/2982051/>> (2 pages).

Morrison; “Curved OLED HDTV screens are a bad idea (for now)”; CNET; Jun. 18, 2013; retrieved from <<https://www.cnet.com/news/curved-oled-hdtv-screens-are-a-bad-idea-for-now/>> (9 pages).

Cochran; “Why Samsung’s curved-screen TV might be a ‘game changer’”; CBS News; Aug. 14, 2013; retrieved from <<http://www.cbsnews.com/news/why-samsungs-curved-screen-tv-might-be-a-game-changer/>> (3 pages).

Kelly; “TV trends at CES: 4K, curves and smart TVs”; CNN; Jan. 8, 2014; retrieved from <<http://www.cnn.com/2014/01/07/tech/gaming-gadgets/ces-television-trends/>> (5 pages).

Manjoo; “TV Makers Are Out of Ideas”; Wall Street Journal; Jan. 8, 2014; retrieved from <<https://www.wsj.com/news/articles/SB10001424052702303393804579308801012230792>> (4 pages).

Daniel; “Curved Monitors—Overview”; Curved Monitor Test; Aug. 28, 2015; retrieved from <<http://www.curved-monitor-test.de/>> (5 pages).

Matthias; “Curved TV—Overview”; Curved TV Test; Apr. 20, 2016; retrieved from <<https://technikblog.net/fernseher-test/curved-tv/>> (16 pages, in German).

Ljt216; “Flat Screen vs. Curved CRTs for Retro Games”; Reddit; Jul. 29, 2015; retrieved from <https://www.reddit.com/r/gamecollecting/comments/3f25r0/flat_screen_vs_curved_crts_for_retro_games/> (4 pages).

Co-pending Design U.S. Appl. No. 29/559,593, filed Mar. 30, 2016.

Co-pending Design U.S. Appl. No. 29/559,629, filed Mar. 30, 2016.

Co-pending Design U.S. Appl. No. 29/559,613, filed Mar. 30, 2016.

Primary Examiner — Sandra L Morris

(74) *Attorney, Agent, or Firm* — Banner & Witcoff, Ltd.

(57)

CLAIM

The ornamental design for a gaming machine, as shown and described.

DESCRIPTION

FIG. 1 is a left front perspective view of a gaming machine showing our new design;

FIG. 2 is a right front perspective view thereof;

FIG. 3 is a front view thereof;

FIG. 4 is a top view thereof;

FIG. 5 is a cross-sectional view taken along 5-5 of FIG. 4;

FIG. 6 is a left front perspective view of an alternate embodiment of the gaming machine showing our new design;

FIG. 7 is a right front perspective view thereof;

FIG. 8 is a front view thereof;

FIG. 9 is a top view thereof;

FIG. 10 is a cross-sectional view taken along 10-10 of FIG. 9;

FIG. 11 is a left front perspective view of an alternate embodiment of the gaming machine showing our design;

FIG. 12 is a right front perspective view thereof;

FIG. 13 is a front view thereof;

FIG. 14 is a top view thereof;

FIG. 15 is a cross-sectional view taken along 15-15 of FIG. 14;

FIG. 16 is a left perspective view of an alternate embodiment of the gaming machine showing our new design;

FIG. 17 is a right perspective view thereof;

FIG. 18 is a front view thereof;

FIG. 19 is a top view thereof; and,

FIG. 20 is a cross-sectional view taken along 20-20 of FIG. 19.

The broken line showing of the remainder of the gaming machine illustrates environmental structure and forms no part of the claimed design. The oblique line shading on the curved display depicts a transparent, translucent, highly polished or reflective surface.

1 Claim, 20 Drawing Sheets

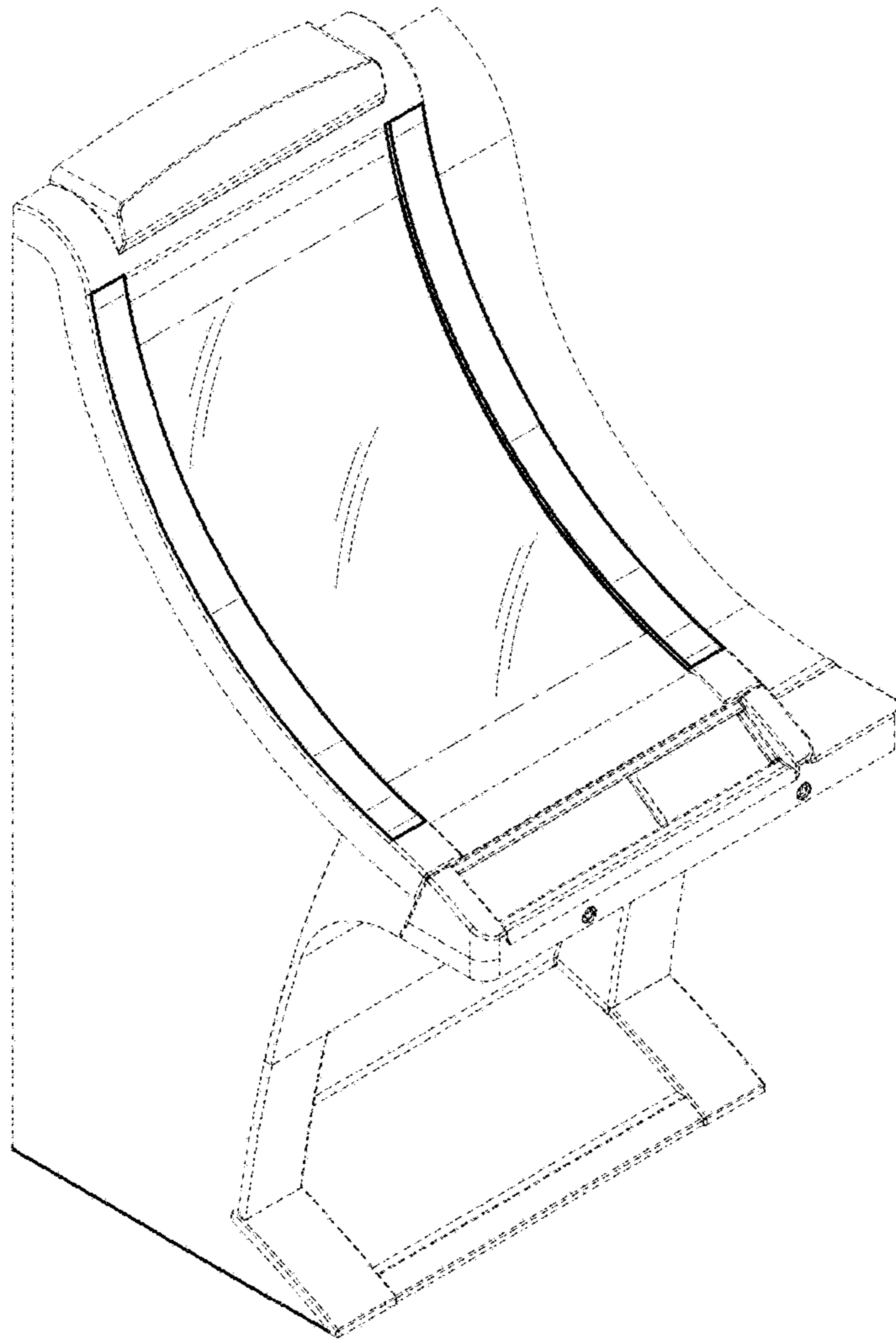


FIG. 1

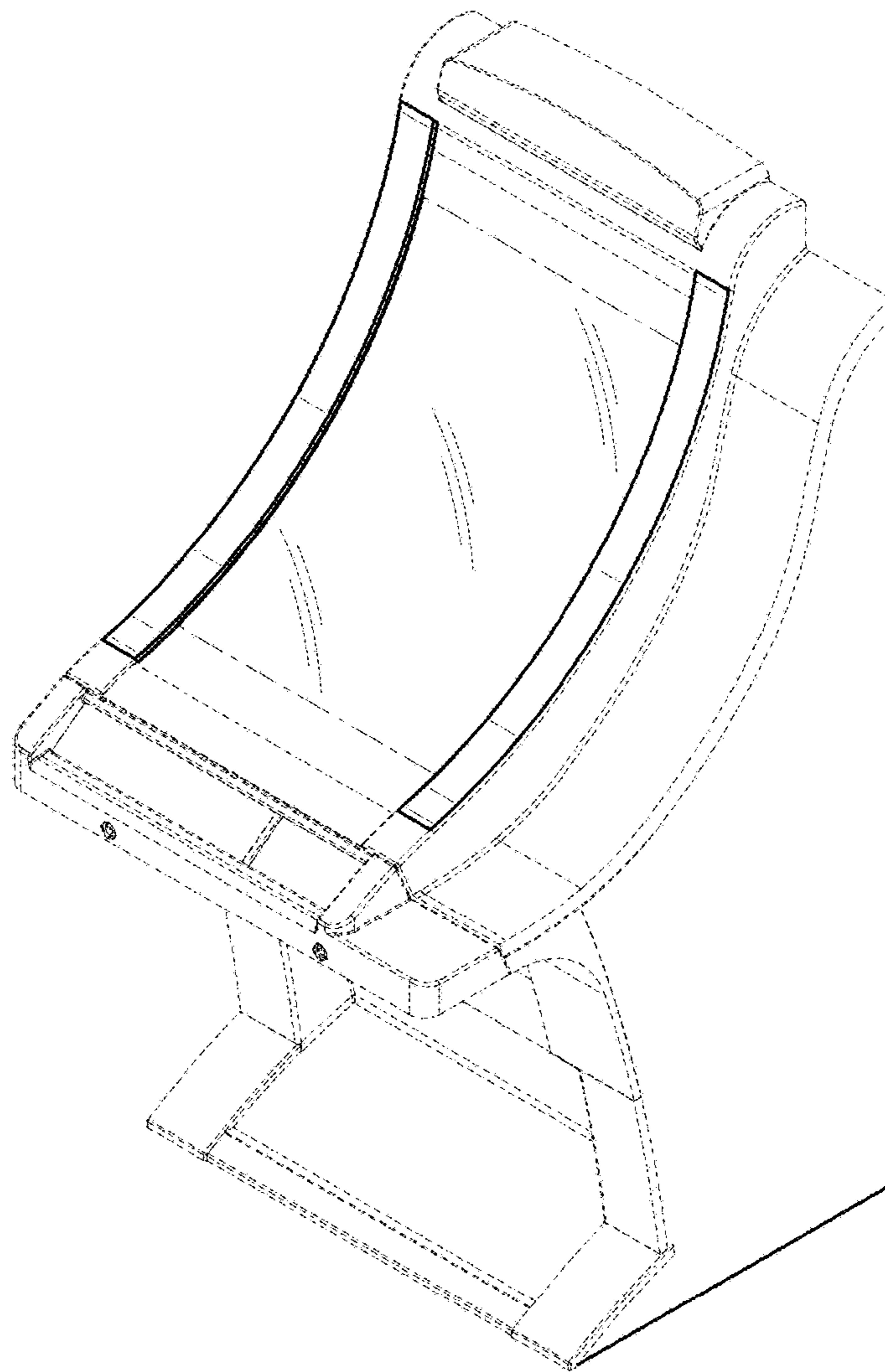


FIG. 2

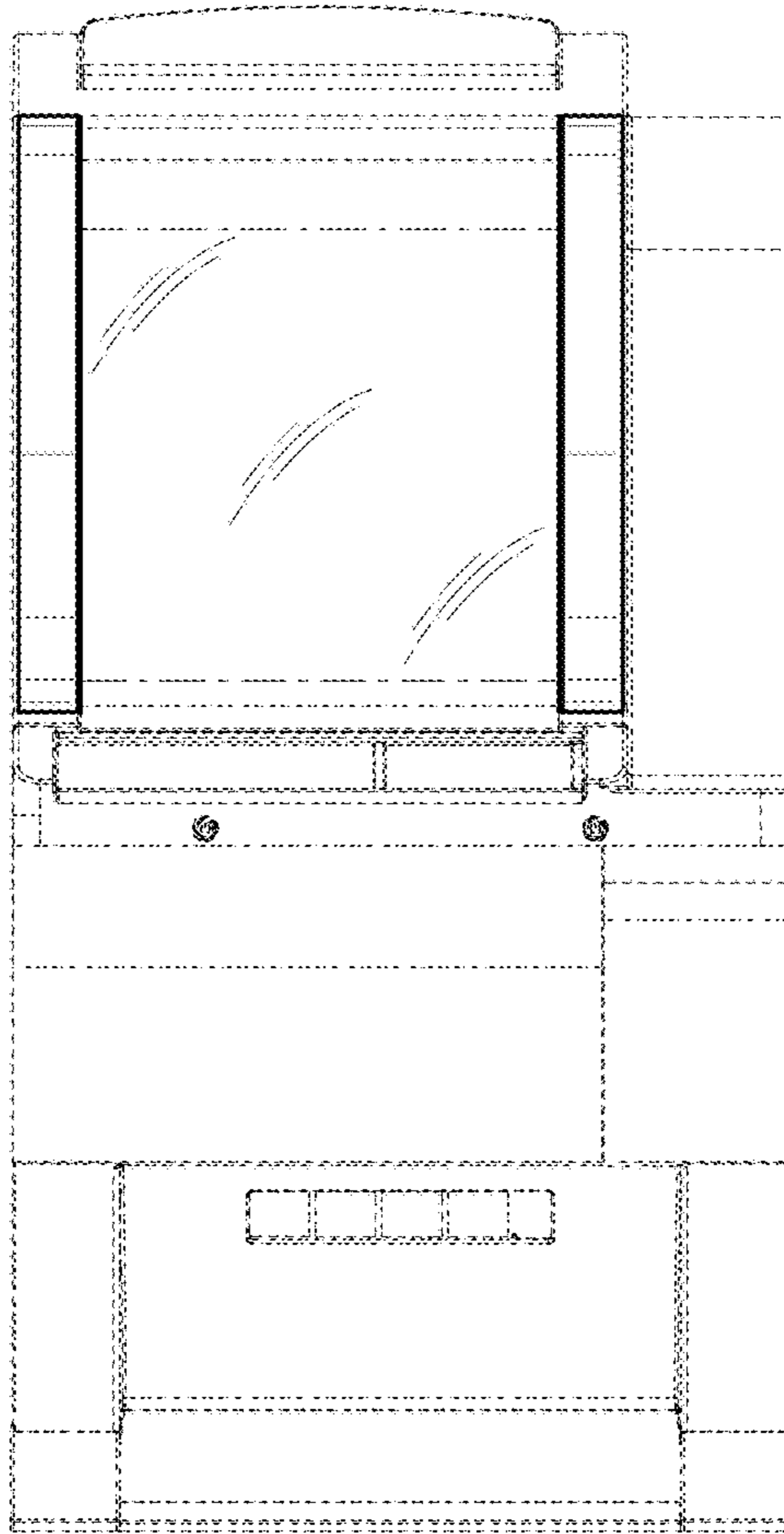


FIG. 3

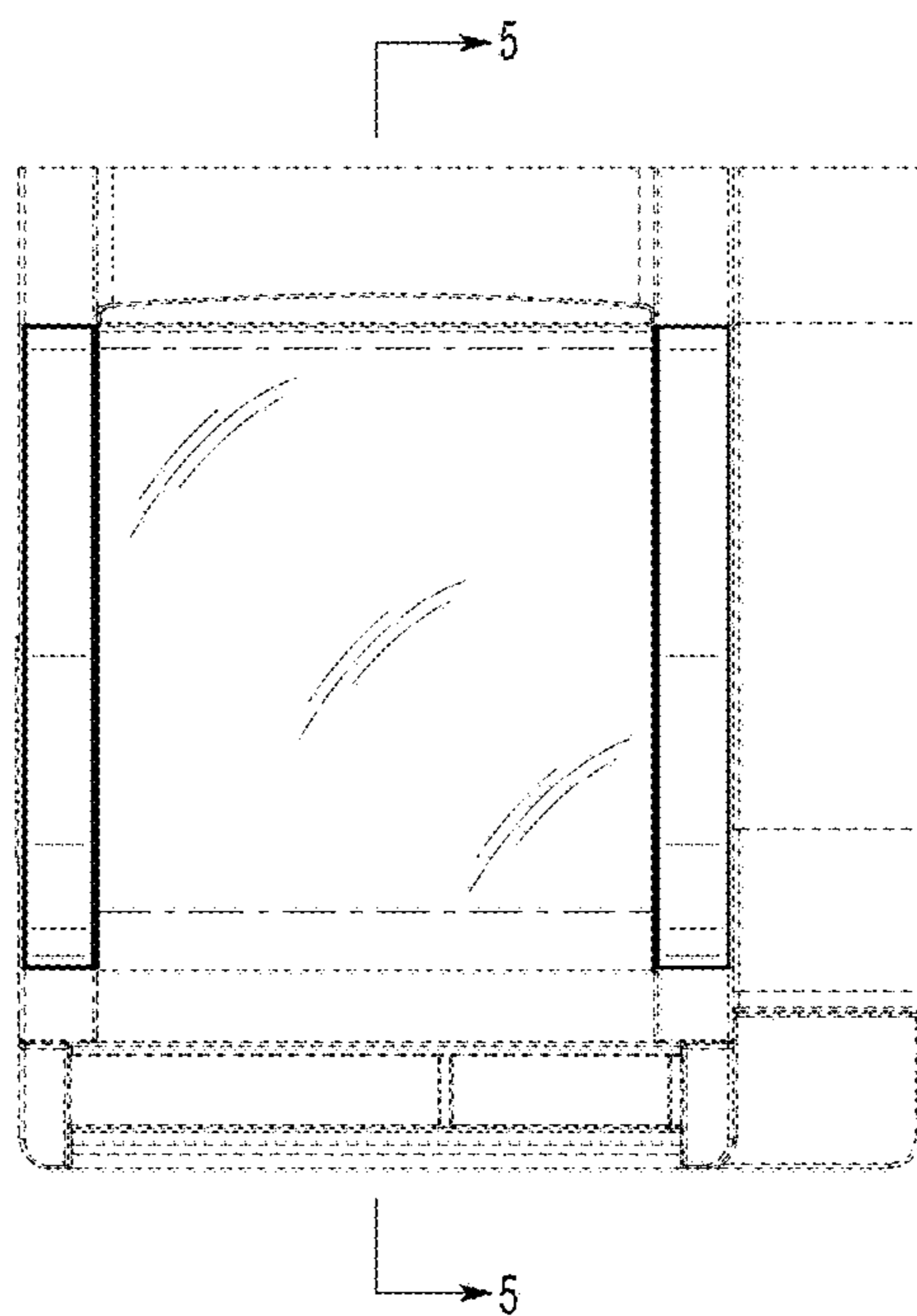


FIG. 4

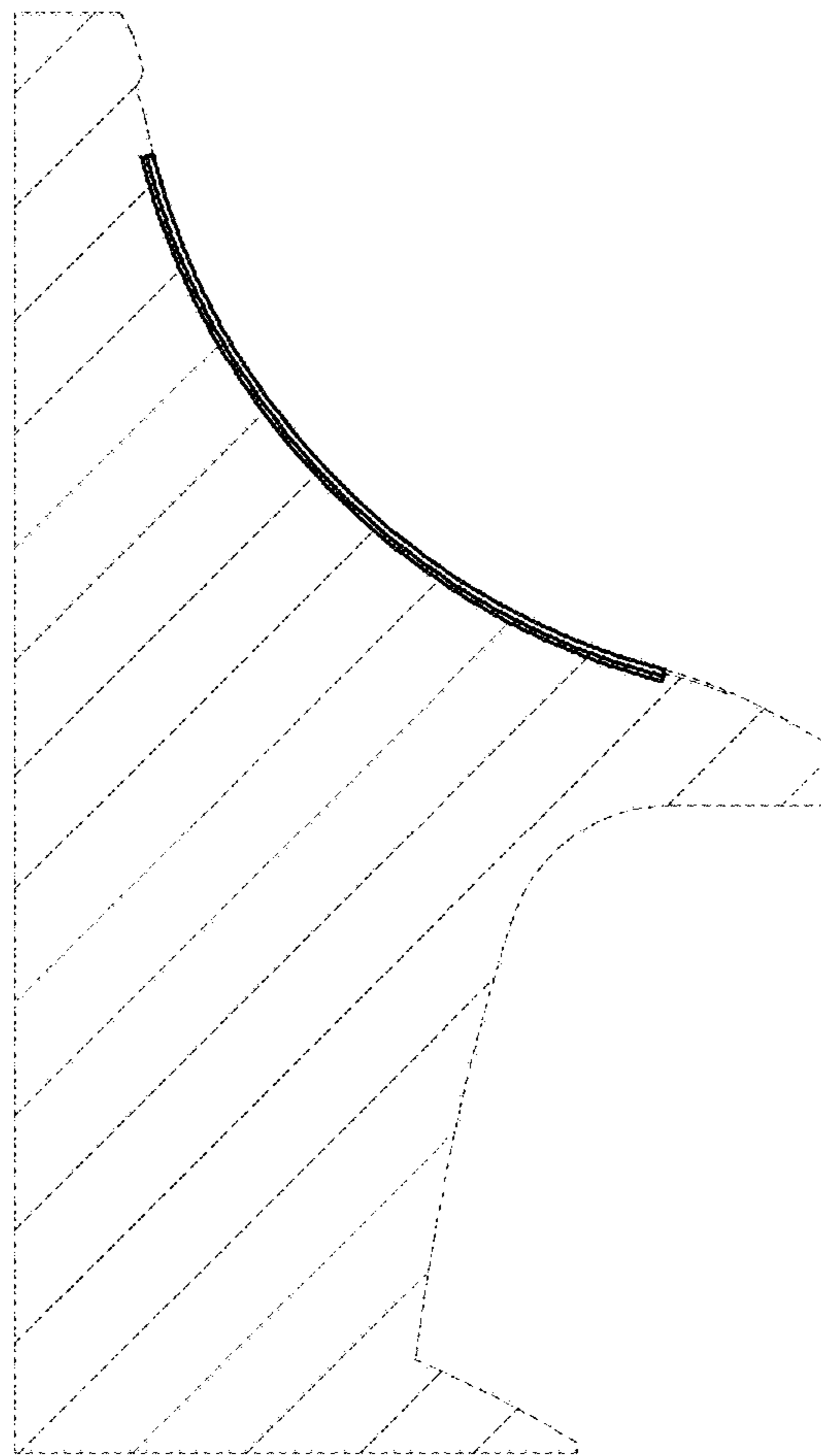


FIG. 5

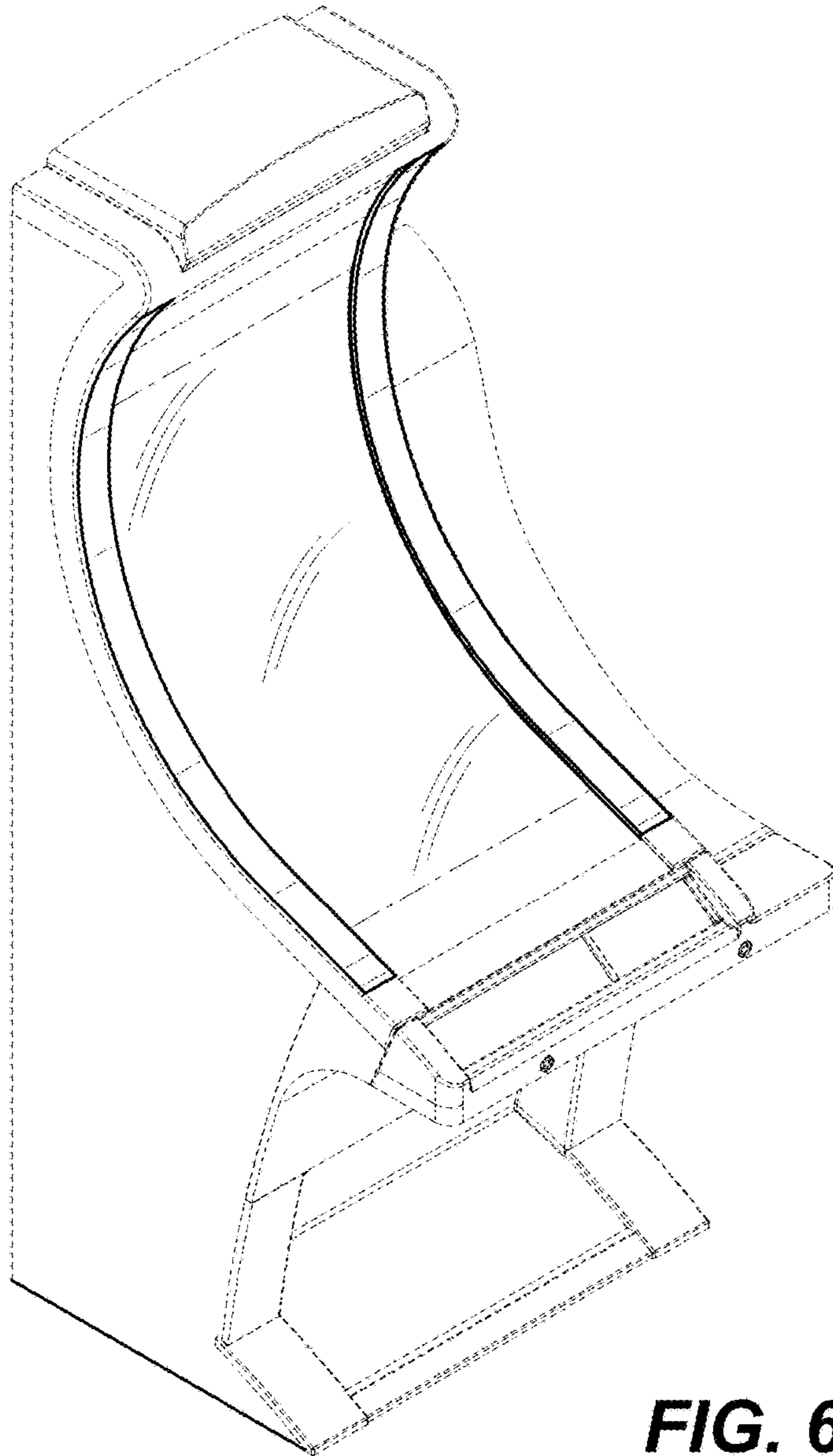


FIG. 6

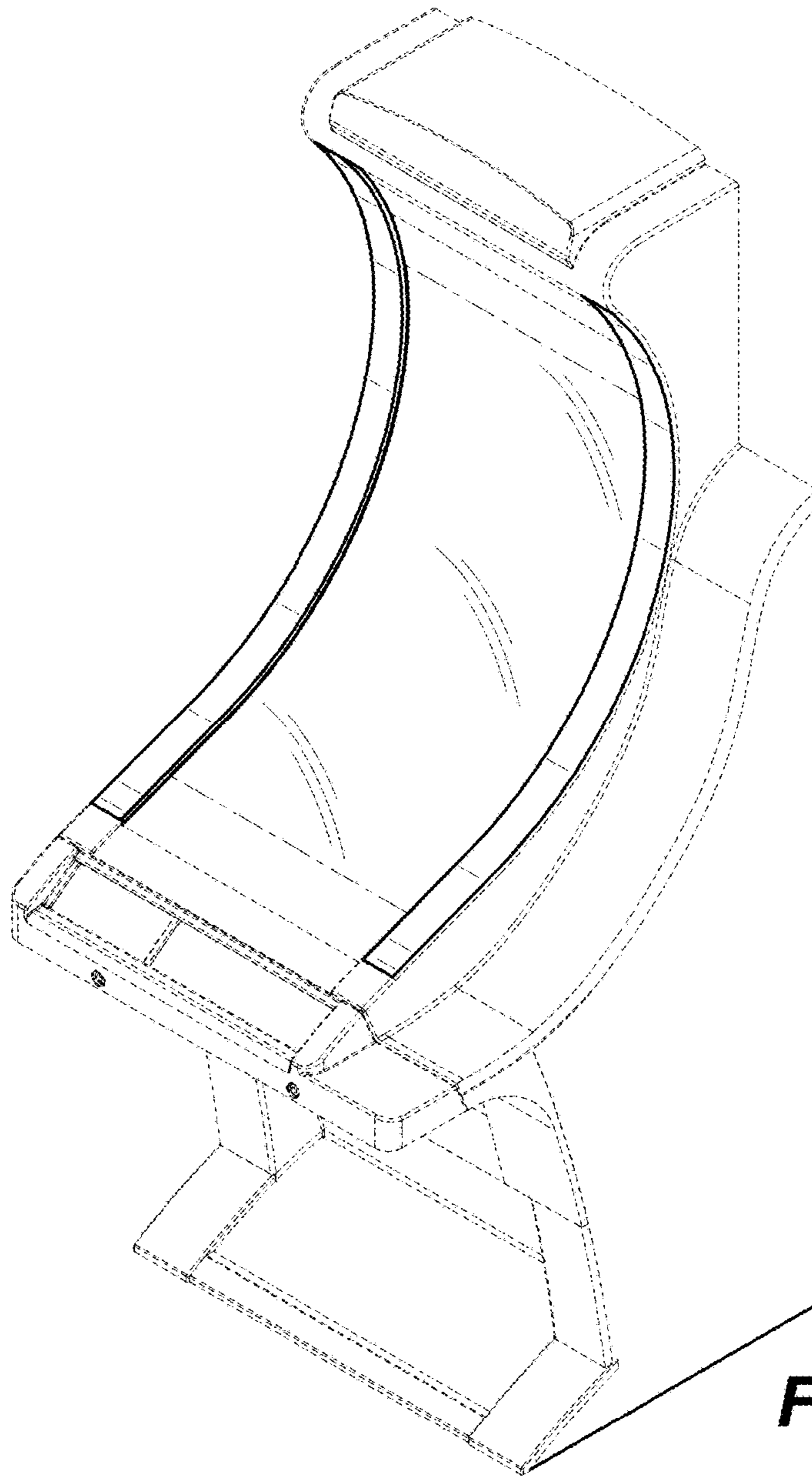


FIG. 7

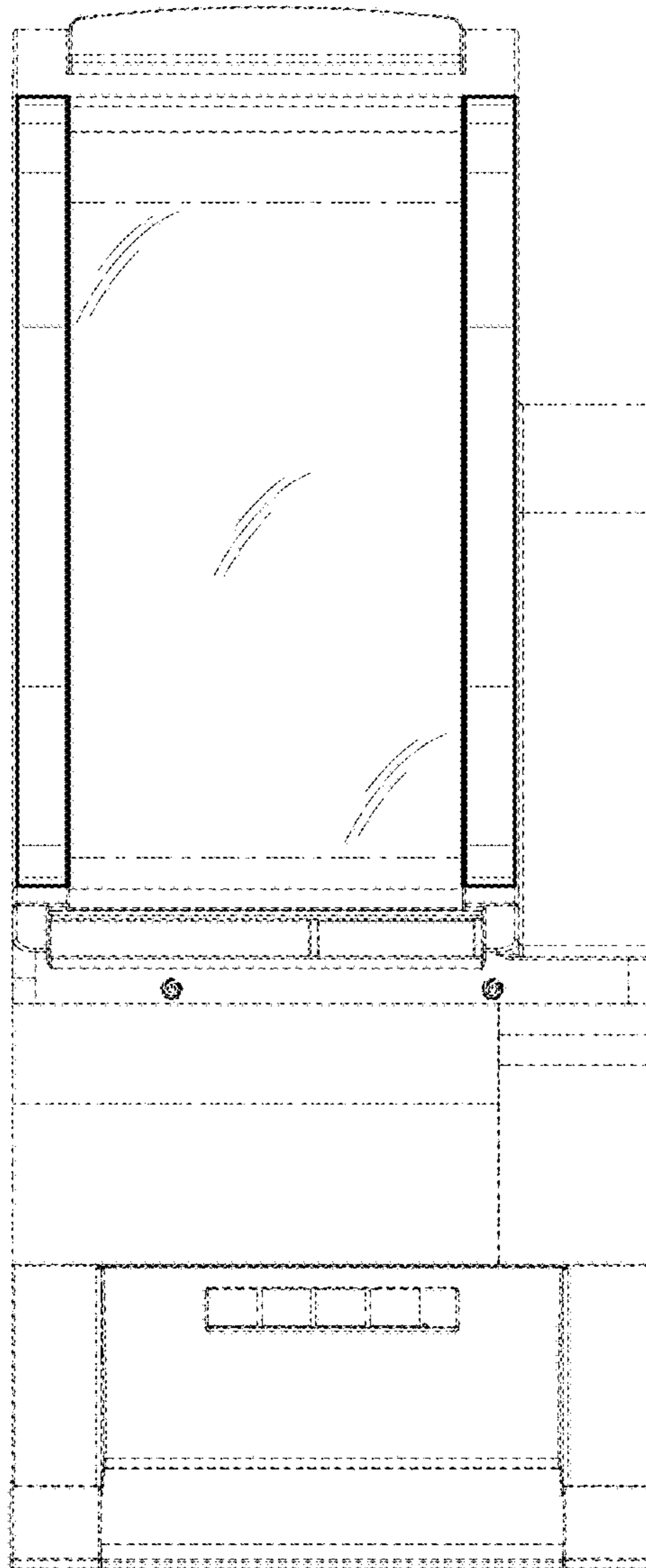


FIG. 8

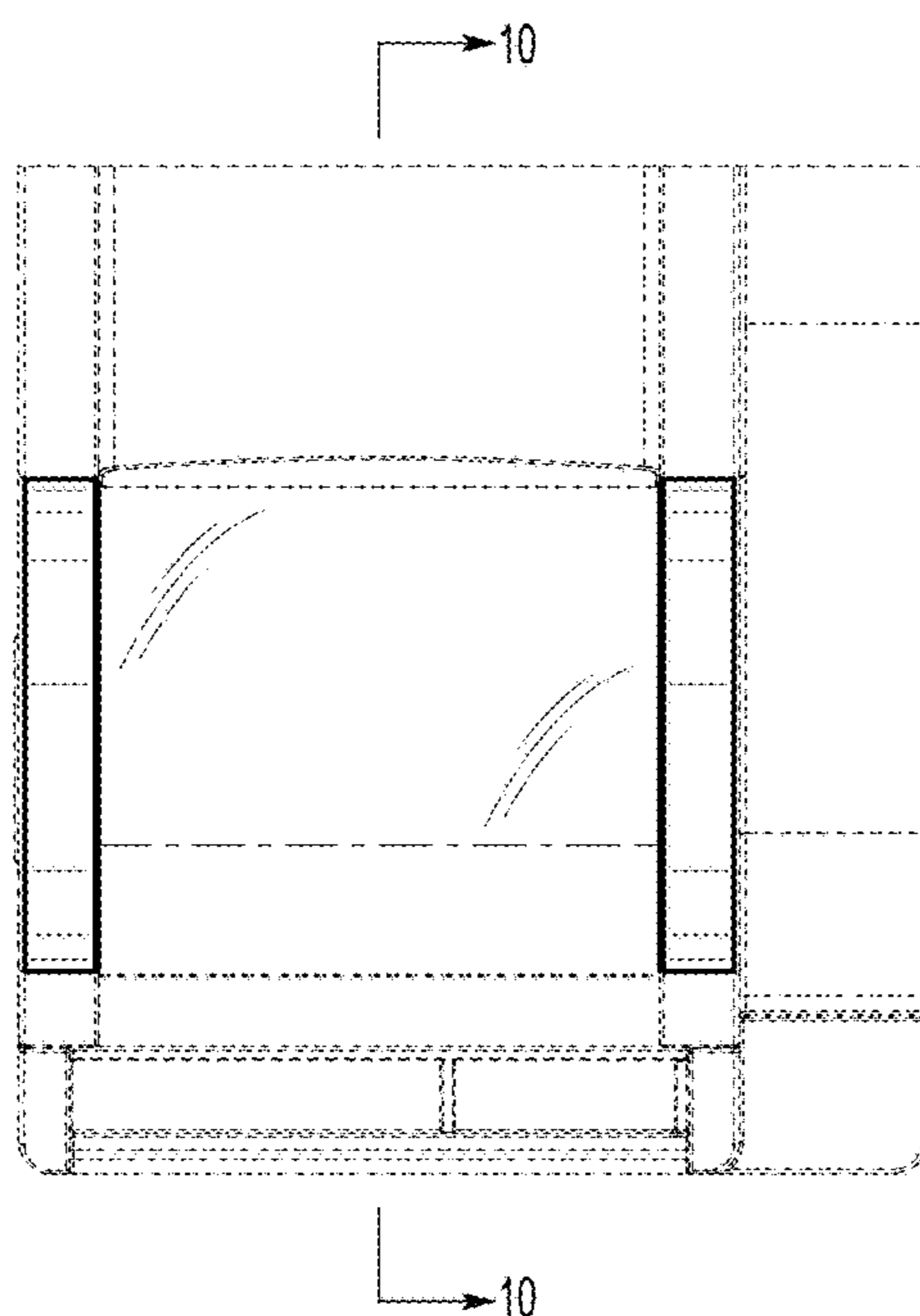


FIG. 9

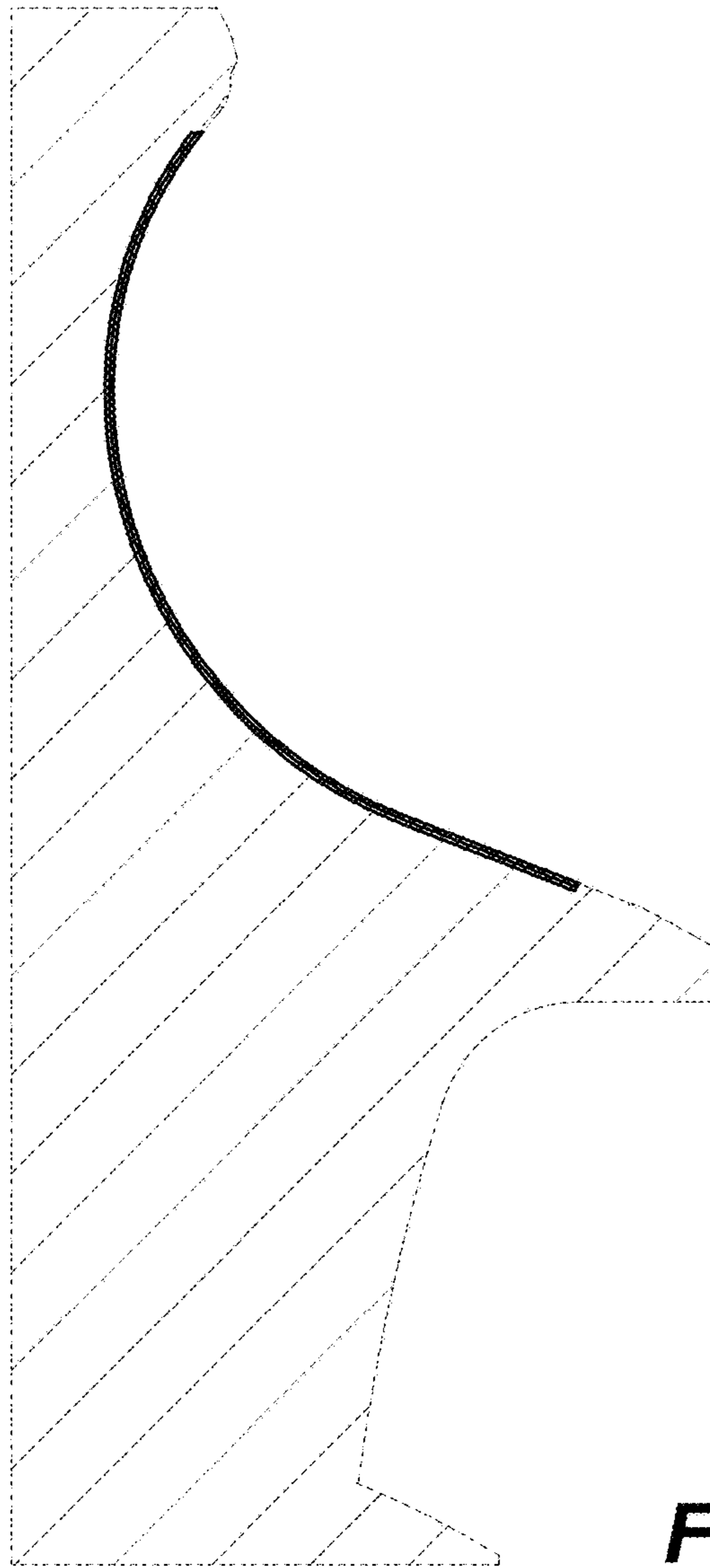


FIG. 10

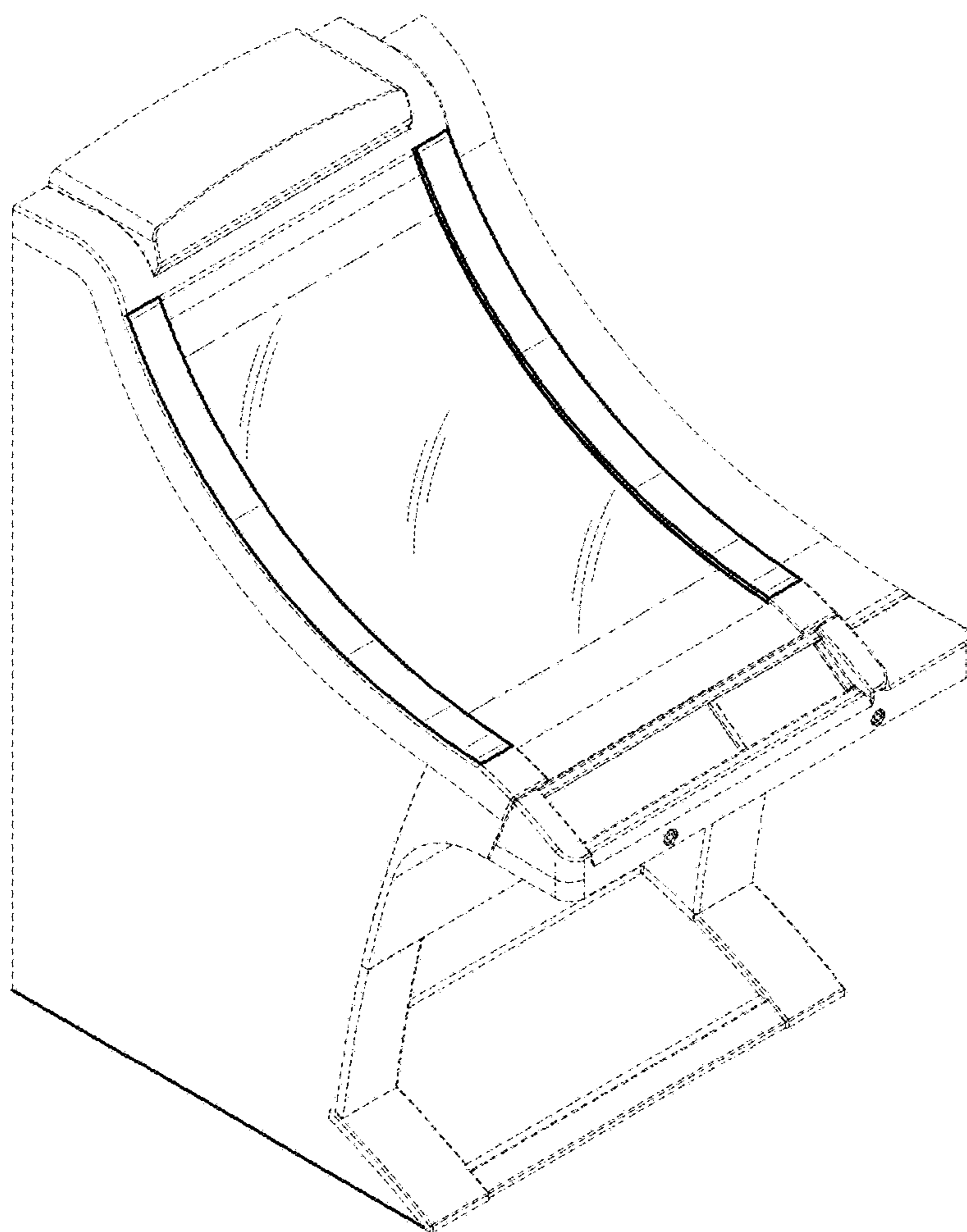


FIG. 11

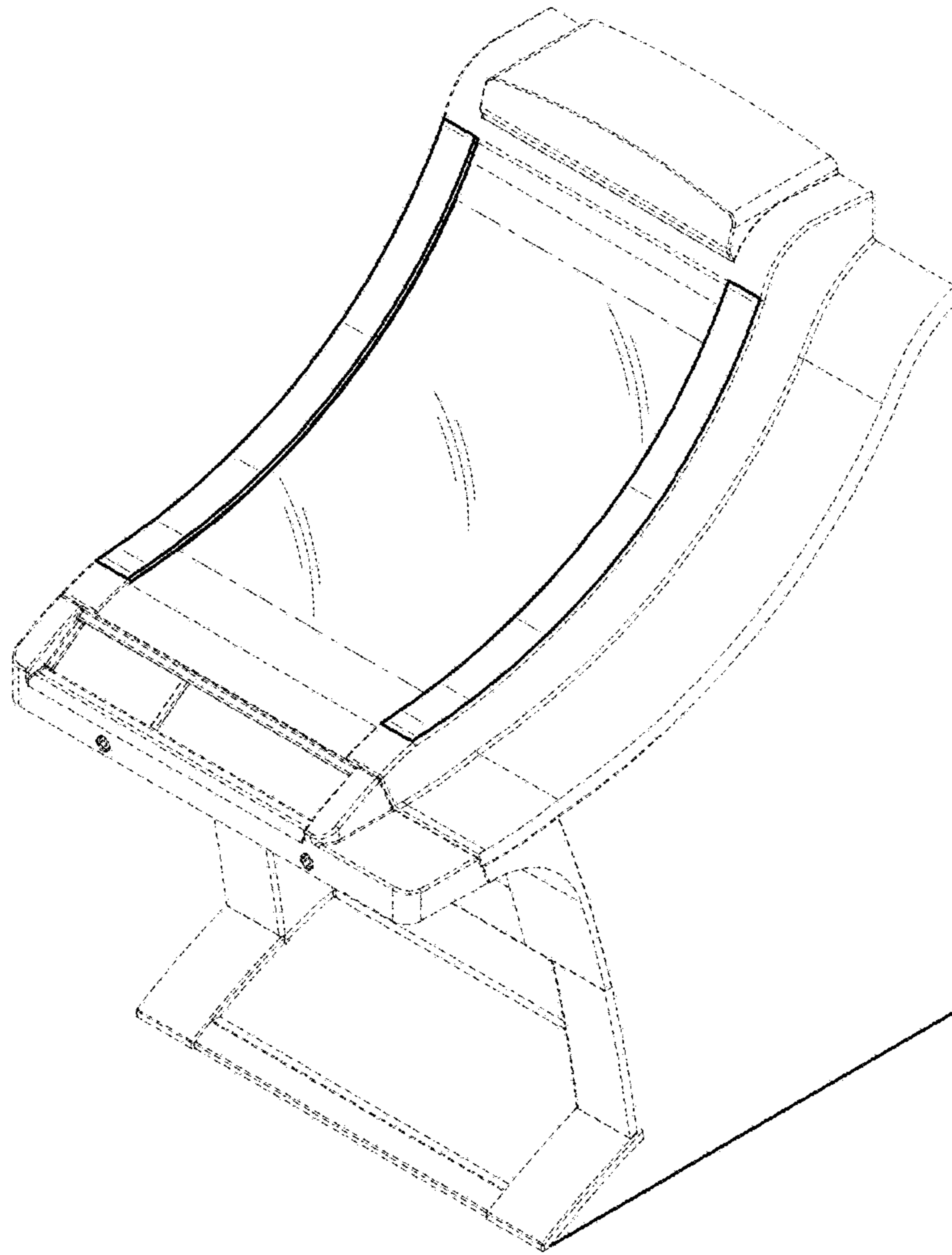


FIG. 12

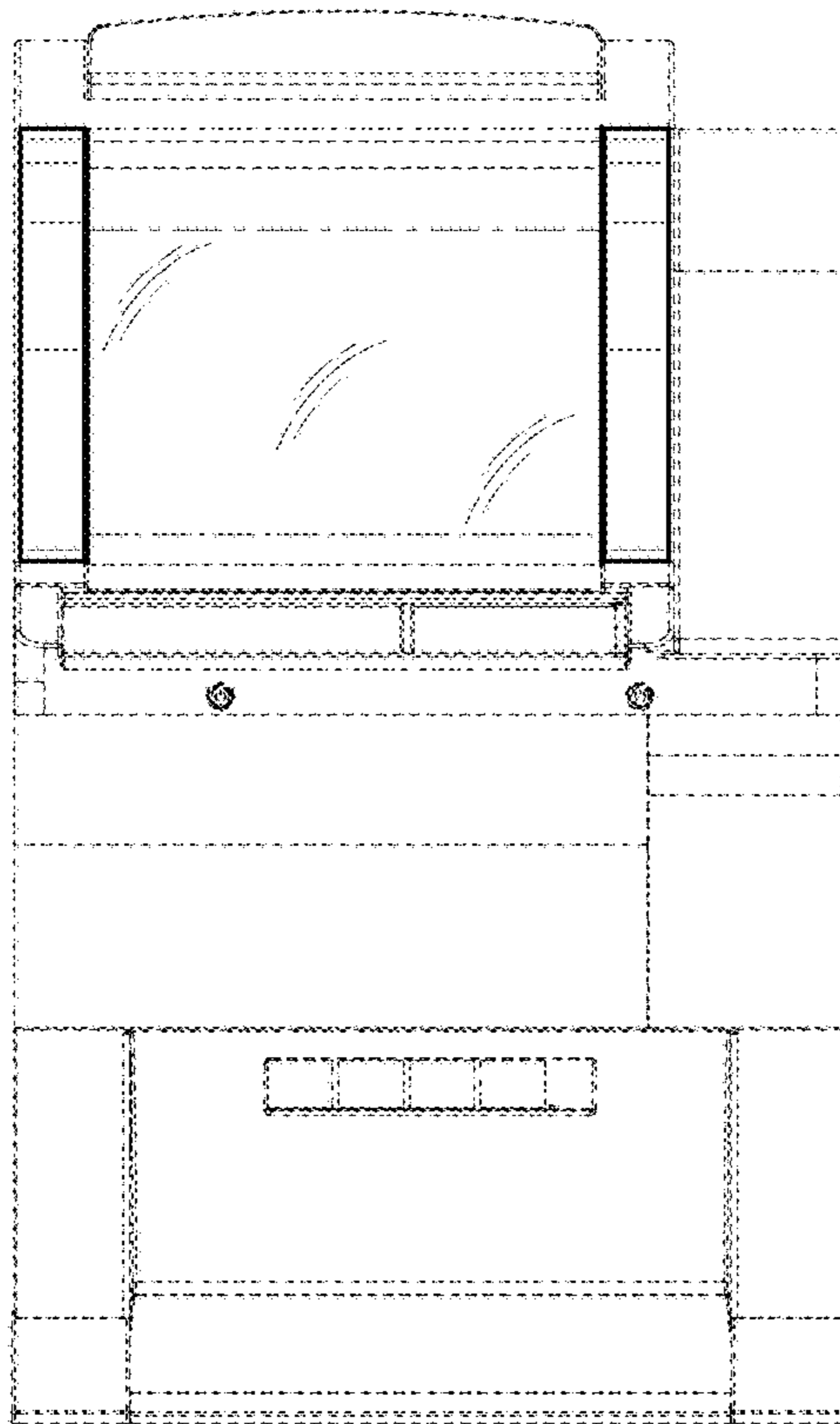


FIG. 13

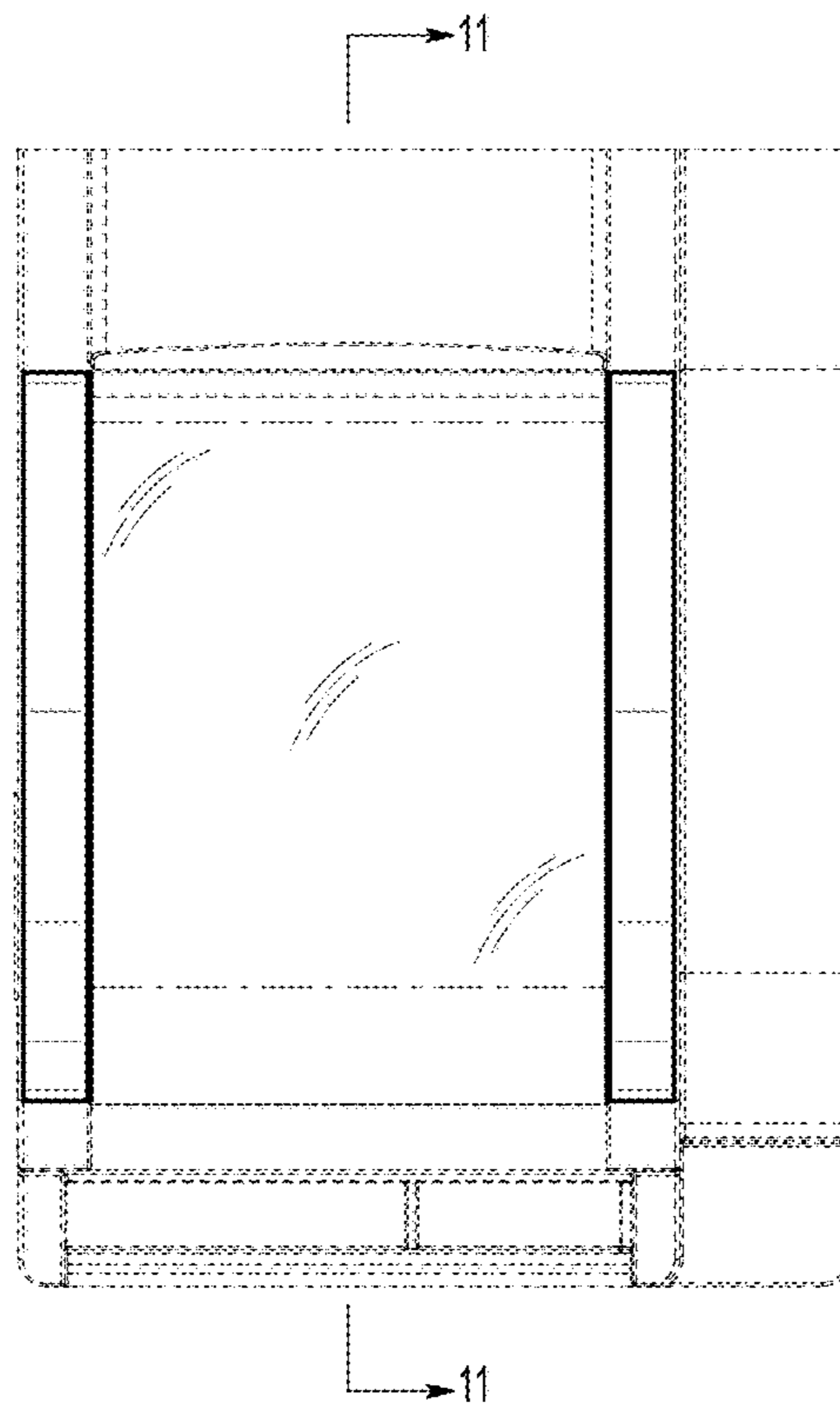


FIG. 14

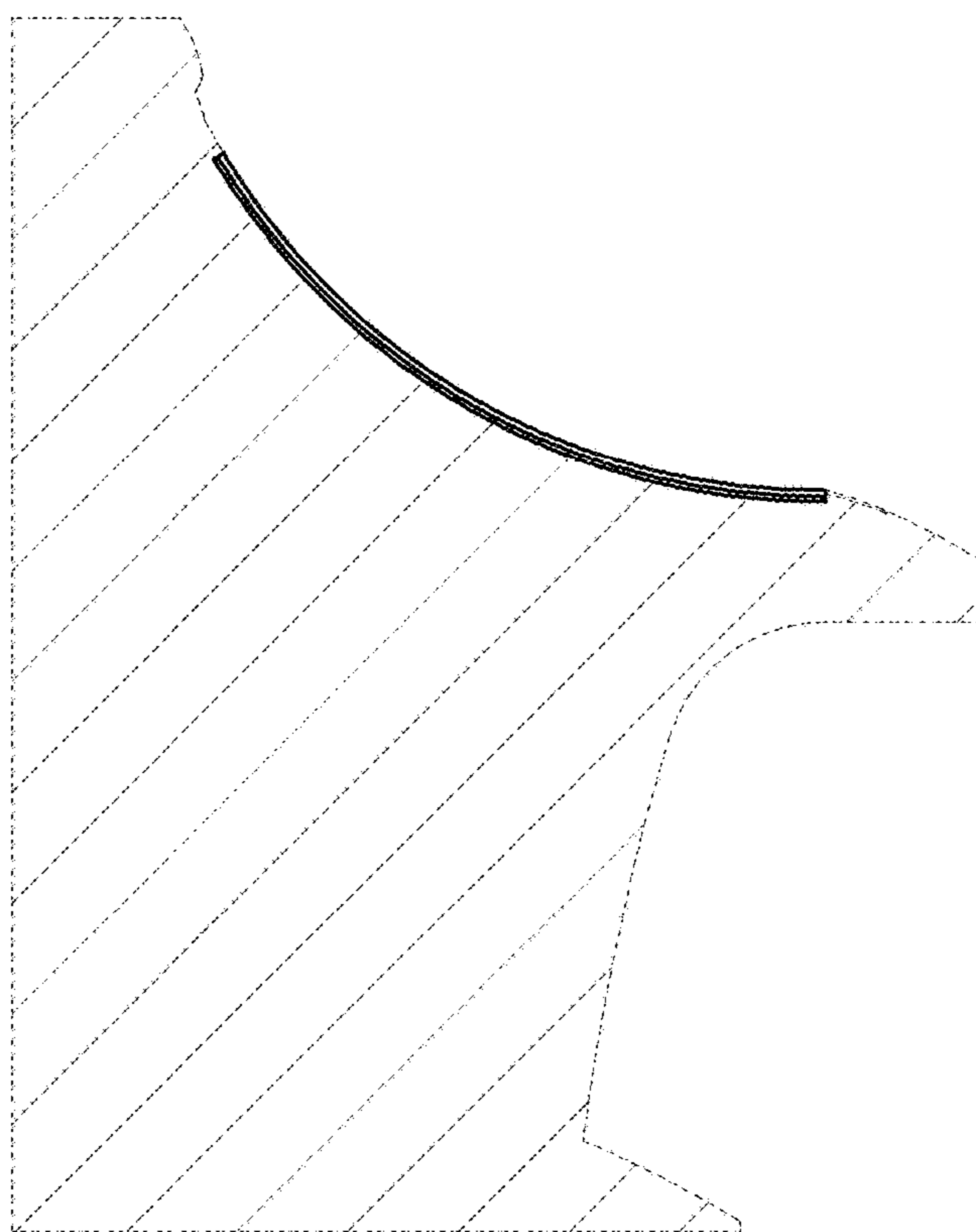


FIG. 15

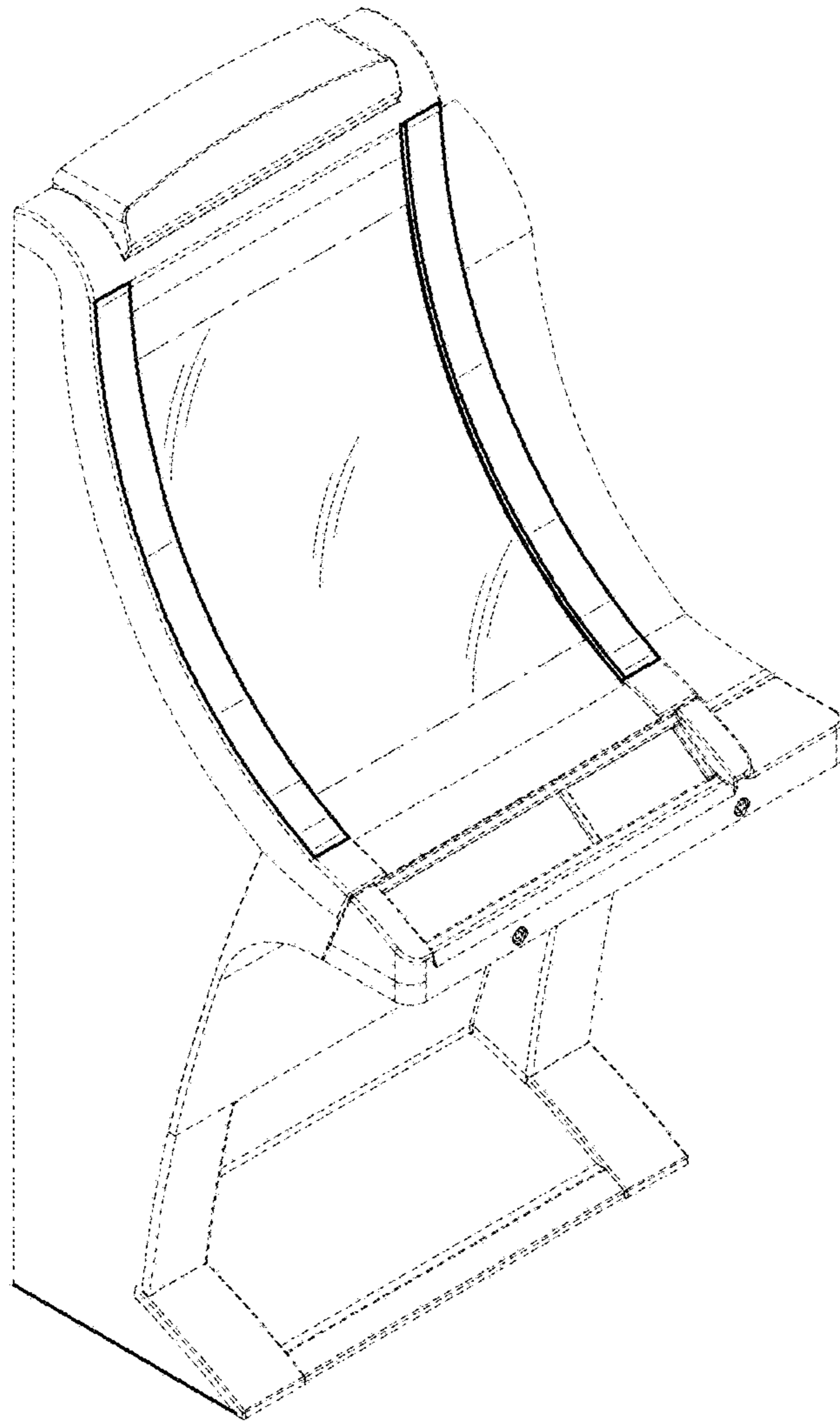


FIG. 16

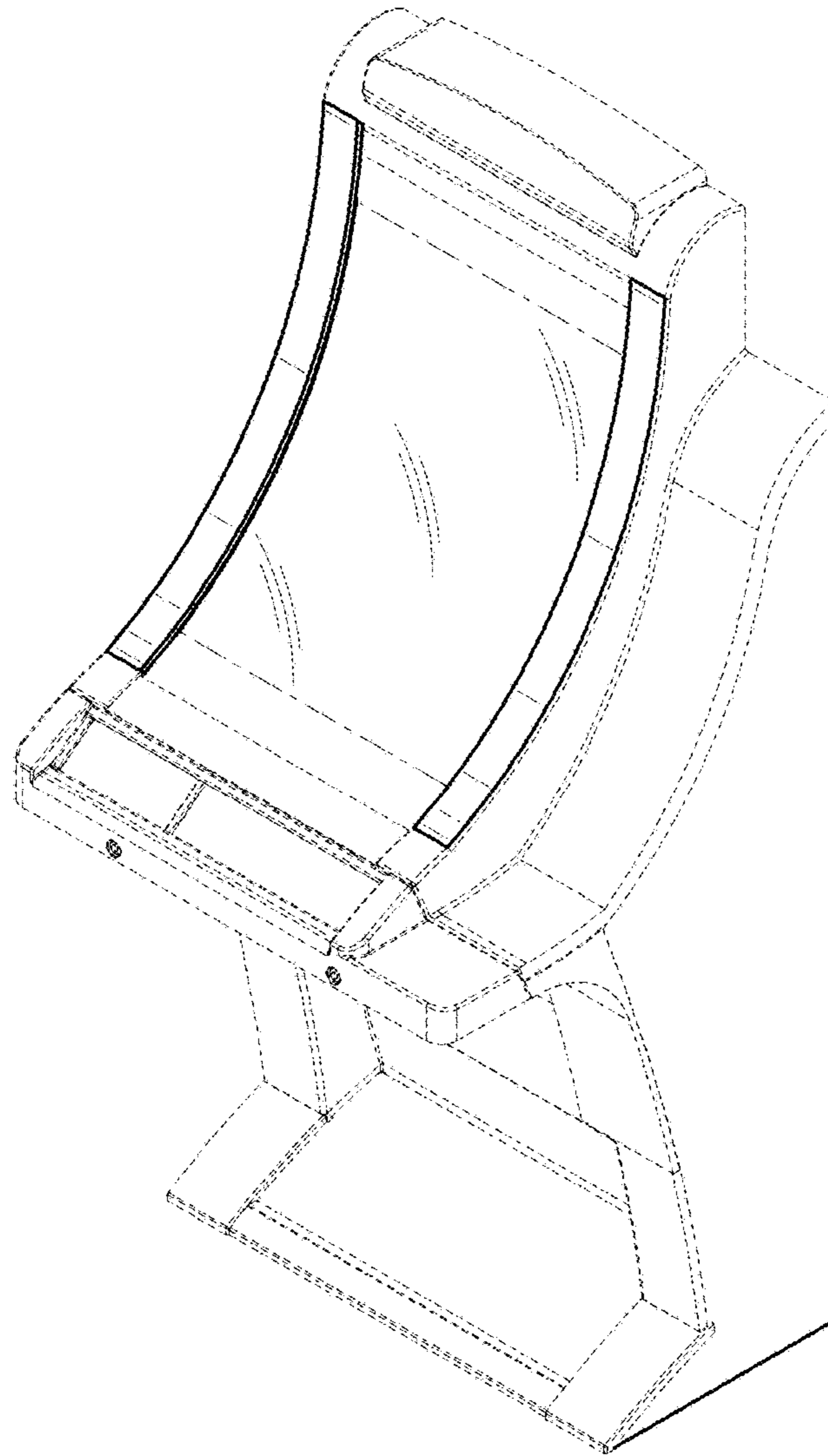


FIG. 17

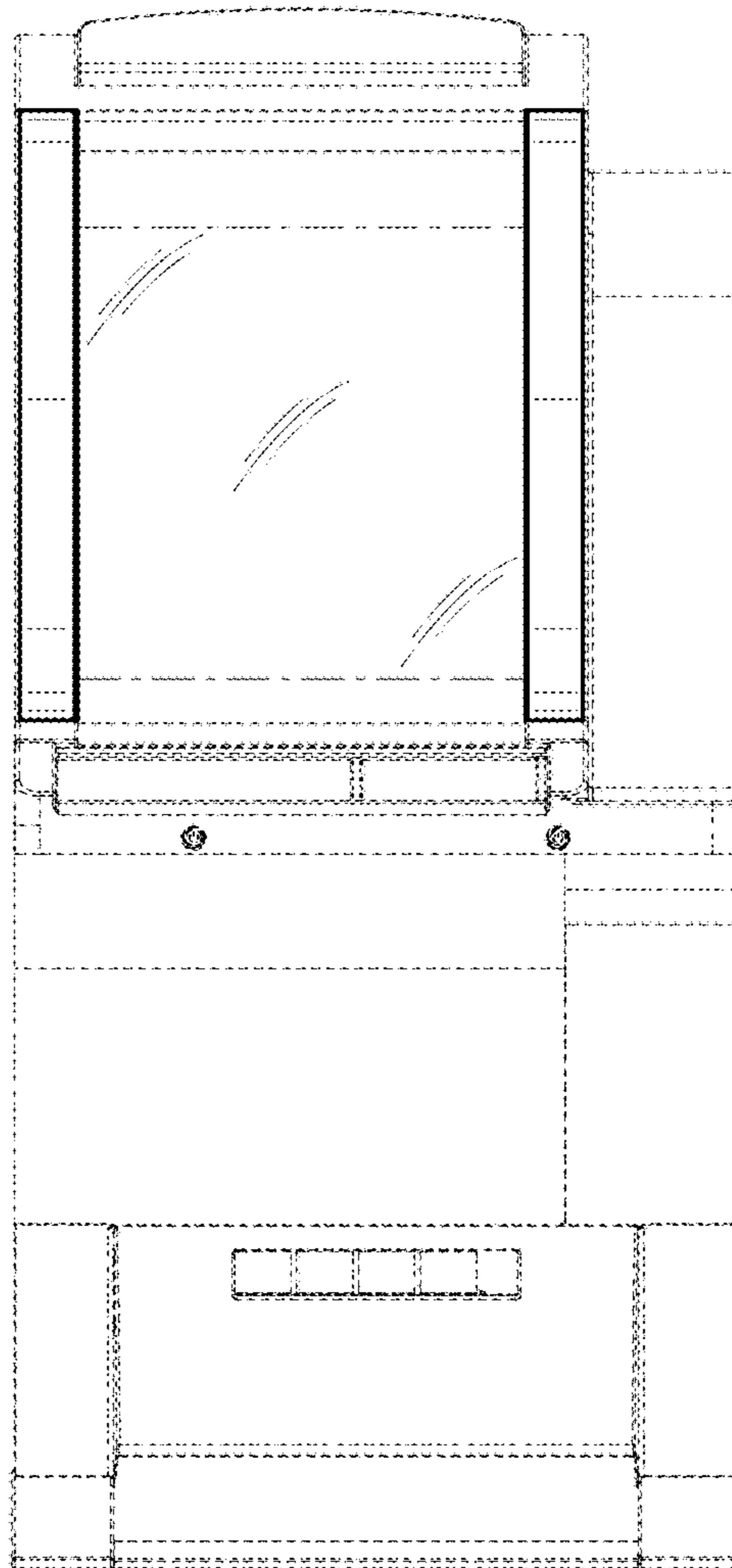


FIG. 18

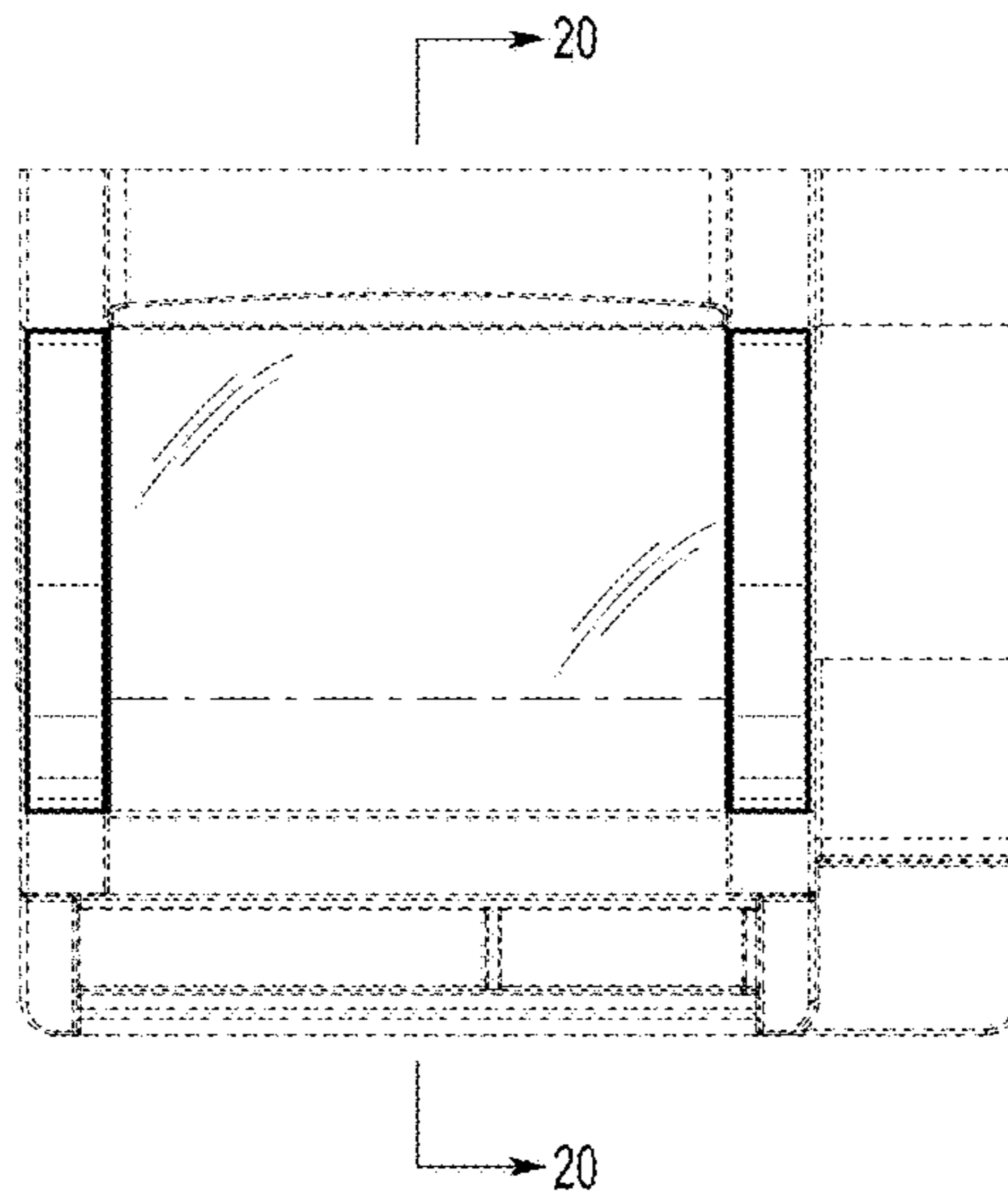


FIG. 19

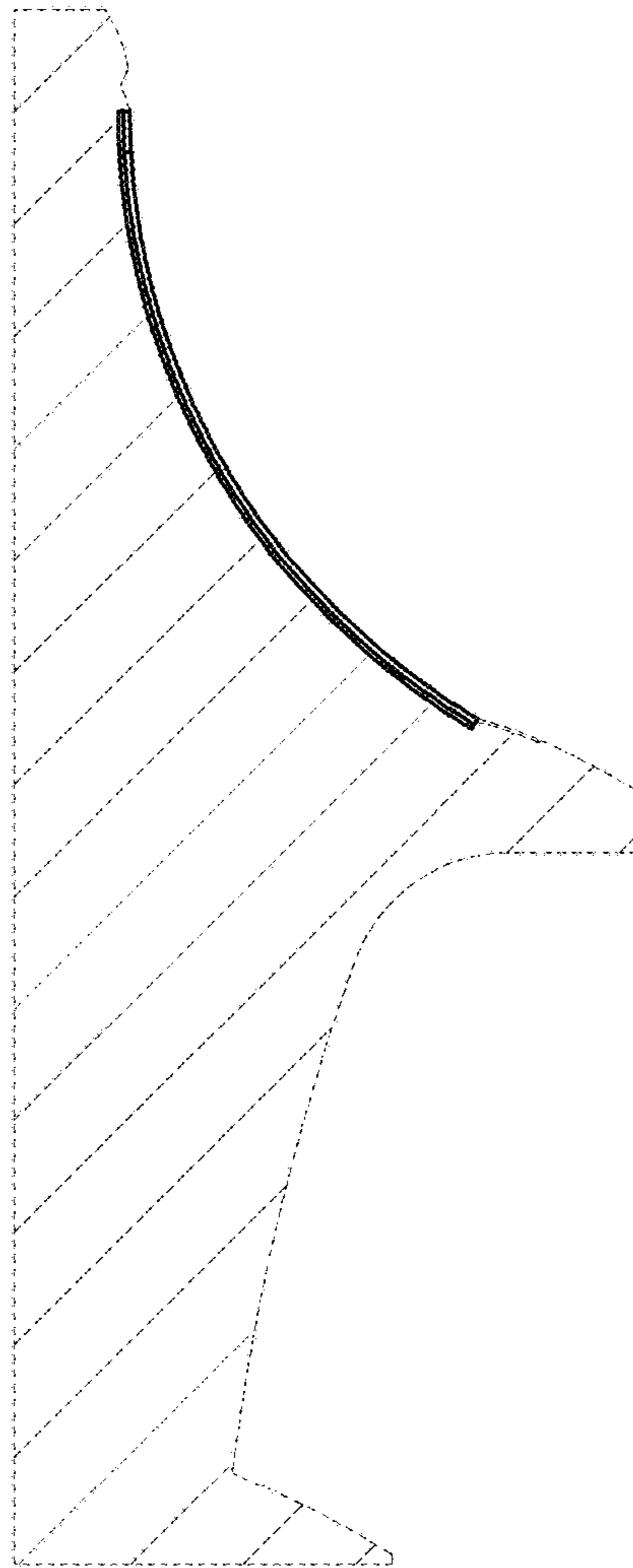


FIG. 20

UNITED STATES PATENT AND TRADEMARK OFFICE
CERTIFICATE OF CORRECTION

PATENT NO. : D843,474 S
APPLICATION NO. : 29/604747
DATED : March 19, 2019
INVENTOR(S) : Paul M. Lesley et al.

Page 1 of 1

It is certified that error appears in the above-identified patent and that said Letters Patent is hereby corrected as shown below:

On the Title Page

In the section entitled "Related U.S. Application Data," please amend the application number from
-- 29/563,824 -- to -- 29/536,824 --.

Signed and Sealed this
Twenty-seventh Day of April, 2021



Drew Hirshfeld
*Performing the Functions and Duties of the
Under Secretary of Commerce for Intellectual Property and
Director of the United States Patent and Trademark Office*