



US00D843470S

(12) **United States Design Patent** (10) **Patent No.:** **US D843,470 S**
Castro et al. (45) **Date of Patent:** **** Mar. 19, 2019**

(54) **GAMING TERMINAL**

(71) Applicant: **Bally Gaming, Inc.**, Las Vegas, NV (US)

(72) Inventors: **Christian L. Castro**, Chicago, IL (US);
Paul M. Lesley, Blue Island, IL (US)

(73) Assignee: **BALLY GAMING, INC.**, Las Vegas, NV (US)

(**) Term: **15 Years**

(21) Appl. No.: **29/595,714**

(22) Filed: **Mar. 1, 2017**

(51) **LOC (11) Cl.** **21-03**

(52) **U.S. Cl.**
USPC **D21/369**

(58) **Field of Classification Search**
USPC D21/369, 370, 371, 385, 329, 325, 394;
D14/307, 172, 129, 325, 401, 371, 126,
D14/439, 432, 450, 128, 375, 248, 374,
D14/341, 138 G, 127; 463/28, 13, 11,
463/16, 20, 25, 31, 46, 23, 30, 17, 36, 29,
463/42, 34, 32, 35, 19, 21, 22; 273/292,
273/203, 138.2, 143 R, 142 R, 138.1;
D19/60; D16/226; D8/335, 331, 334;
D26/141; D7/641
CPC G07F 17/32; G07F 17/34; G07F 17/3211;
G07F 17/3244; G07F 17/3267
See application file for complete search history.

D450,094 S 11/2001 Hedrick et al.
D450,096 S 11/2001 Legras et al.
D450,310 S 11/2001 Hedrick et al.
D450,353 S 11/2001 LeSourd et al.
D450,780 S 11/2001 Holtz et al.
D451,148 S 11/2001 Hedrick et al.
D451,153 S 11/2001 Hedrick et al.
D452,535 S 12/2001 Johnson et al.
D454,921 S 3/2002 Legras et al.
D456,046 S 4/2002 Hedrick et al.
D456,457 S 4/2002 Hedrick et al.
D456,855 S 5/2002 Hedrick et al.
D458,971 S 6/2002 Stephan
D459,402 S 6/2002 Wurz et al.
D459,759 S 7/2002 Shepherd et al.
D462,397 S 9/2002 Baker et al.
D463,503 S 9/2002 Stephan
D463,504 S 9/2002 Stephan
D464,377 S 10/2002 Wurz et al.
D465,813 S 11/2002 Randall
D486,869 S 2/2004 Webb et al.
D487,582 S 3/2004 McGahn et al.
D490,478 S 5/2004 McGahn et al.

(Continued)

Primary Examiner — Ryan Harvey
(74) *Attorney, Agent, or Firm* — Banner & Witcoff, Ltd.

(57) **CLAIM**

The ornamental design for a gaming terminal, as shown and described.

DESCRIPTION

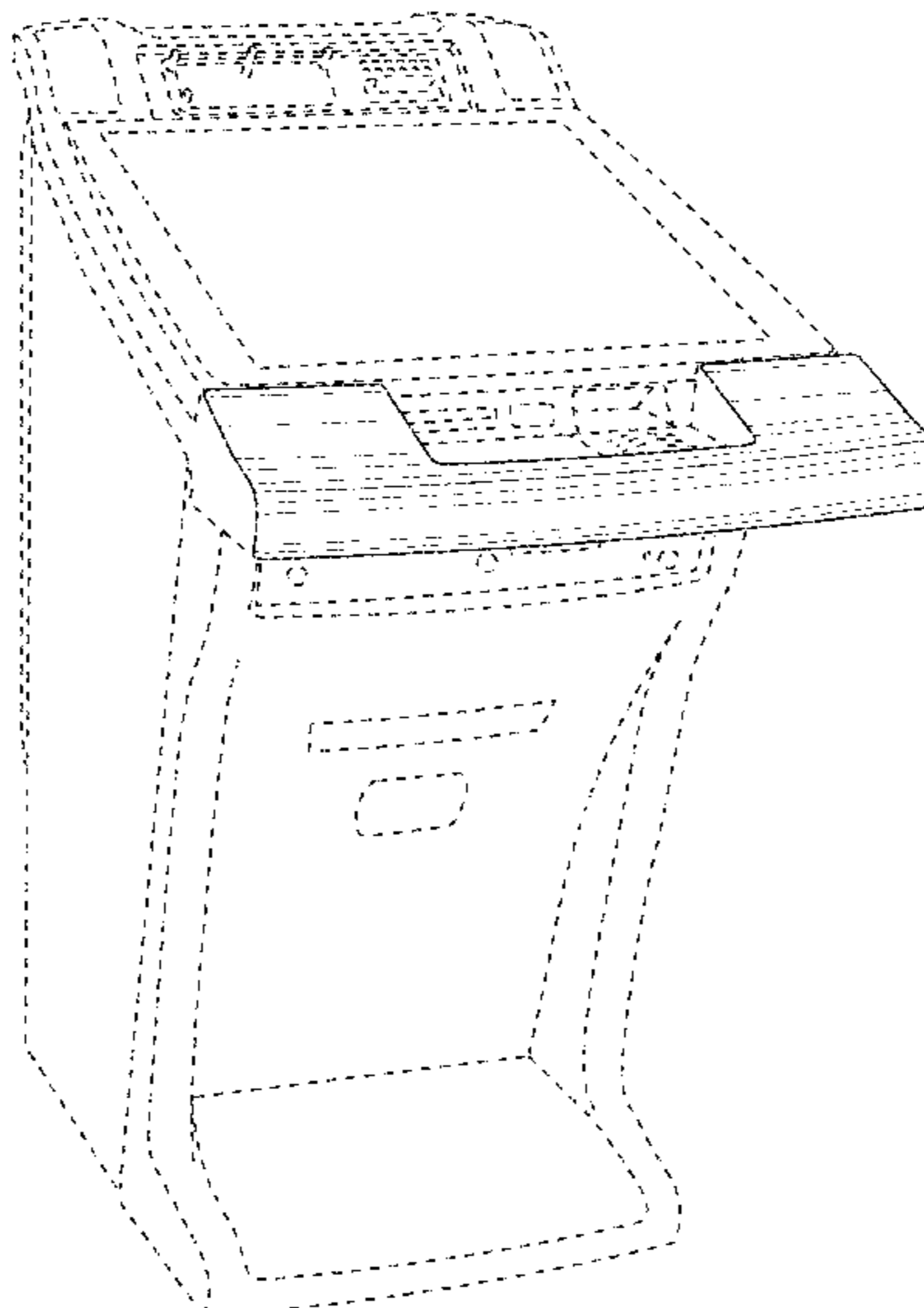
FIG. 1 is a front perspective view of a gaming terminal showing our new design;
FIG. 2 is a front view thereof;
FIG. 3 is a left side view thereof;
FIG. 4 is a right side view thereof; and,
FIG. 5 is a top view thereof.
The broken line showing of the remainder of the gaming terminal illustrates environmental structure and forms no part of the claimed design.

1 Claim, 5 Drawing Sheets

(56) **References Cited**

U.S. PATENT DOCUMENTS

D284,592 S 7/1986 Drews et al.
D351,869 S 10/1994 Rothschild et al.
D406,612 S * 3/1999 Johnson D21/327
D406,865 S 3/1999 Heidel
D446,252 S 8/2001 Yamaguchi



(56)

References Cited

U.S. PATENT DOCUMENTS

| | | | | | | |
|------------|---------|---------------------|-------------------|---------|-----------------|----------------------|
| D492,734 S | 7/2004 | Karstens | D595,784 S | 7/2009 | Wells et al. | |
| D494,636 S | 8/2004 | Chudd et al. | D595,785 S | 7/2009 | Wells et al. | |
| D494,637 S | 8/2004 | Chudd | D596,678 S * | 7/2009 | Myers | D21/370 |
| D494,638 S | 8/2004 | Chudd et al. | D597,144 S | 7/2009 | Myers | |
| D495,754 S | 9/2004 | Wurz et al. | D599,858 S | 9/2009 | Lesley et al. | |
| D495,755 S | 9/2004 | Wurz et al. | D599,859 S | 9/2009 | Lesley et al. | |
| D496,407 S | 9/2004 | Gadda et al. | D599,860 S | 9/2009 | Lesley et al. | |
| D496,968 S | 10/2004 | Baerlocher | D601,637 S | 10/2009 | Myers et al. | |
| D497,188 S | 10/2004 | Mahaffey | D602,995 S | 10/2009 | Takeuchi | |
| D498,268 S | 11/2004 | Kaminkow et al. | D602,996 S | 10/2009 | Takeuchi | |
| D498,504 S | 11/2004 | Karstens | D603,459 S | 11/2009 | Tsuchida et al. | |
| D498,796 S | 11/2004 | Karstens | D603,460 S | 11/2009 | Taniguchi | |
| D498,797 S | 11/2004 | Karstens | D604,368 S | 11/2009 | Lesley et al. | |
| D502,243 S | 2/2005 | King | D611,996 S | 3/2010 | Shimizu et al. | |
| D503,450 S | 3/2005 | King | D613,802 S * | 4/2010 | Meyers | D21/370 |
| D503,751 S | 4/2005 | Kaminkow et al. | D616,042 S | 5/2010 | Shimizu et al. | |
| D503,951 S | 4/2005 | Karstens | D617,388 S | 6/2010 | Wildner et al. | |
| D504,161 S | 4/2005 | Chudd et al. | D617,389 S | 6/2010 | Wildner et al. | |
| D504,473 S | 4/2005 | Baerlocher | D622,780 S | 8/2010 | Lesley et al. | |
| D508,268 S | 8/2005 | Hanchar et al. | D622,781 S | 8/2010 | Lesley et al. | |
| D508,270 S | 8/2005 | McGahn et al. | D622,782 S * | 8/2010 | Chudek | D21/385 |
| D509,254 S | 9/2005 | Rasmussen et al. | D624,604 S | 9/2010 | Wudtke | |
| D510,752 S | 10/2005 | Baerlocher | D625,368 S | 10/2010 | Nelson et al. | |
| D511,549 S | 11/2005 | Kaminkow et al. | D642,224 S | 7/2011 | Taniguchi | |
| D512,105 S | 11/2005 | Chitrapongse et al. | D646,336 S | 10/2011 | Kelly et al. | |
| D512,464 S | 12/2005 | Karstens | D646,337 S | 10/2011 | Kelly et al. | |
| D512,465 S | 12/2005 | Karstens | D673,620 S * | 1/2013 | Johnson | D21/369 |
| D514,168 S | 1/2006 | Kaminkow et al. | D673,622 S | 1/2013 | Wudtke | |
| D514,170 S | 1/2006 | Kaminkow et al. | D678,955 S | 3/2013 | Lesley et al. | |
| D519,571 S | 4/2006 | Myers | D678,956 S | 3/2013 | Lesley et al. | |
| D519,572 S | 4/2006 | Myers | D678,957 S | 3/2013 | Cesaroni et al. | |
| D519,573 S | 4/2006 | Myers | D678,958 S | 3/2013 | Cesaroni et al. | |
| D519,574 S | 4/2006 | Myers | D681,130 S | 4/2013 | Lesley et al. | |
| D519,575 S | 4/2006 | Myers | D682,948 S | 5/2013 | Cesaroni et al. | |
| D519,576 S | 4/2006 | Wagg | D685,033 S | 6/2013 | Wudtke | |
| D520,074 S | 5/2006 | Myers | D685,435 S * | 7/2013 | Hohman | D21/370 |
| D520,075 S | 5/2006 | Wagg | D691,665 S | 10/2013 | Chudek | |
| D520,076 S | 5/2006 | McGahn et al. | D691,666 S | 10/2013 | Lesley et al. | |
| D521,077 S | 5/2006 | Myers | D697,558 S * | 1/2014 | Myers | D21/325 |
| D521,078 S | 5/2006 | McGahn et al. | D704,273 S | 5/2014 | Chudek | |
| D522,589 S | 6/2006 | Myers | D704,274 S | 5/2014 | Ono | |
| D523,908 S | 6/2006 | Hedrick et al. | D704,275 S | 5/2014 | Lesley et al. | |
| D525,316 S | 7/2006 | De Palma | D705,363 S | 5/2014 | Inoue et al. | |
| D529,965 S | 10/2006 | Hedrick et al. | D706,359 S | 6/2014 | Wudtke | |
| D532,831 S | 11/2006 | Baerlocher et al. | D706,741 S * | 6/2014 | Myers | D14/172 |
| D537,127 S | 2/2007 | Kaminkow et al. | D707,301 S | 6/2014 | Inoue et al. | |
| D537,885 S | 3/2007 | Gadda et al. | D707,302 S | 6/2014 | Inoue et al. | |
| D539,854 S | 4/2007 | Luciano et al. | D712,975 S | 9/2014 | Lesley et al. | |
| D540,398 S | 4/2007 | Gadda et al. | D714,392 S | 9/2014 | Arabian | |
| D540,399 S | 4/2007 | Gadda et al. | D714,875 S | 10/2014 | Wudtke et al. | |
| D548,288 S | 8/2007 | Baerlocher et al. | D715,364 S | 10/2014 | Wudtke et al. | |
| D548,800 S | 8/2007 | Kaminkow et al. | D719,615 S | 12/2014 | Inoue et al. | |
| D549,785 S | 8/2007 | Luciano, Jr. et al. | D719,616 S | 12/2014 | Inoue et al. | |
| D550,301 S | 9/2007 | Luciano, Jr. et al. | D719,617 S | 12/2014 | Inoue | |
| D560,255 S | 1/2008 | Luciano, Jr. et al. | D723,626 S | 3/2015 | Vasquez et al. | |
| D560,724 S | 1/2008 | Johnson | D729,321 S | 5/2015 | Arabian | |
| D560,725 S | 1/2008 | Johnson | D740,888 S * | 10/2015 | DePalma | D21/370 |
| D562,912 S | 2/2008 | Myers et al. | D742,974 S | 11/2015 | Lesley et al. | |
| D564,600 S | 3/2008 | Greenberg et al. | D742,975 S * | 11/2015 | Myers | D21/370 |
| D564,601 S | 3/2008 | Strahinic et al. | D763,361 S | 8/2016 | Rosander et al. | |
| D566,197 S | 4/2008 | Greenberg et al. | RE46,169 E | 10/2016 | Kelly et al. | |
| D572,314 S | 7/2008 | Vallejo et al. | 9,741,200 B2 * | 8/2017 | Lesley | G07F 17/3211 |
| D577,077 S | 9/2008 | Mitchell et al. | D808,354 S * | 1/2018 | Castro | D14/127 |
| D577,078 S | 9/2008 | Shimizu et al. | D808,467 S * | 1/2018 | Huang | D21/369 |
| D579,500 S | 10/2008 | Luciano, Jr. et al. | D812,149 S * | 3/2018 | Castro | D21/369 |
| RE40,625 E | 1/2009 | Wurz et al. | 2010/0124962 A1 * | 5/2010 | Chudek | G07F 17/32 463/13 |
| RE40,671 E | 3/2009 | Wurz et al. | 2016/0364946 A1 * | 12/2016 | Castro | G07F 17/3216 |
| D595,783 S | 7/2009 | Anderson | 2017/0039803 A1 * | 2/2017 | Lesley | G07F 17/3216 |

* cited by examiner

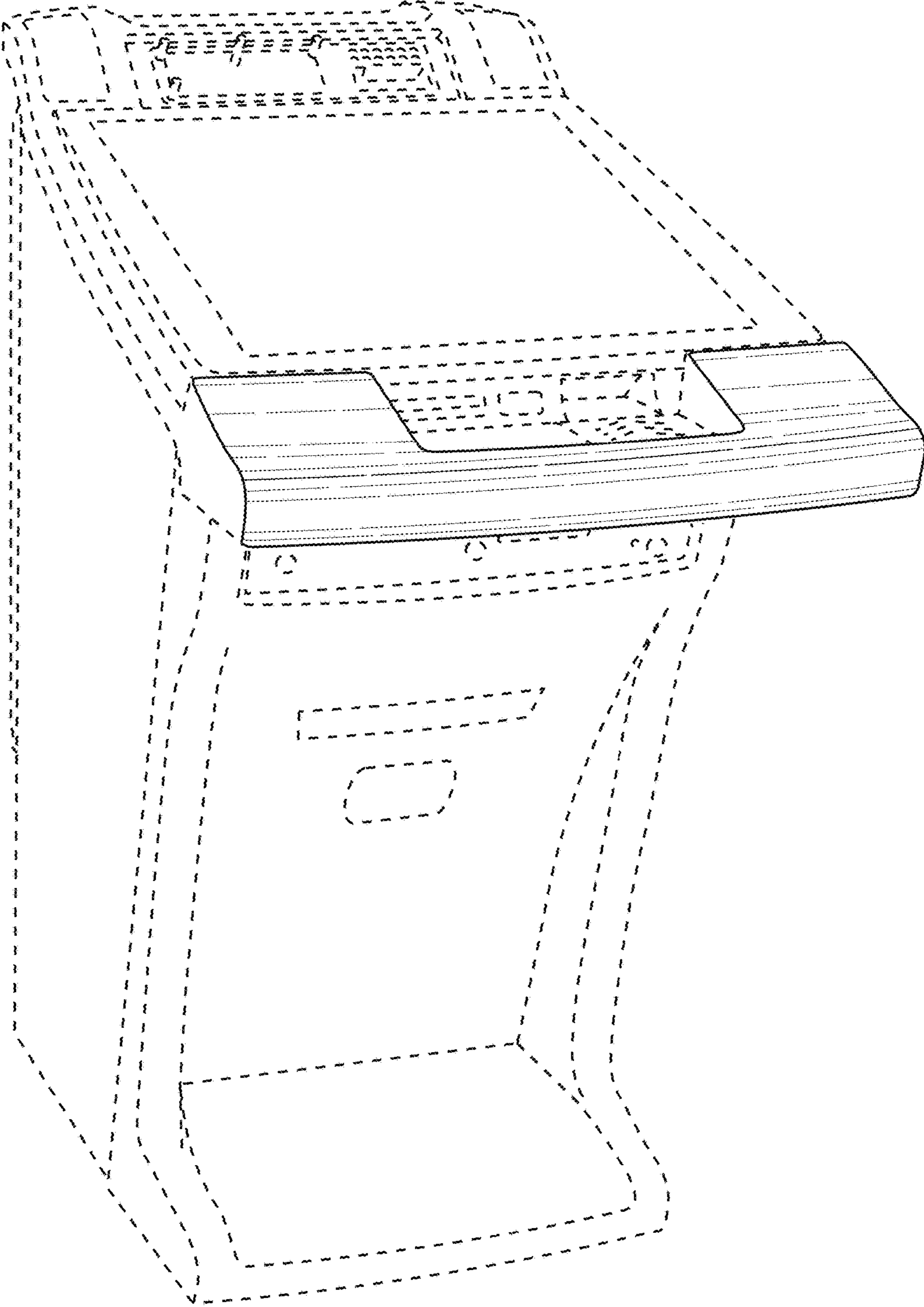


FIG. 1

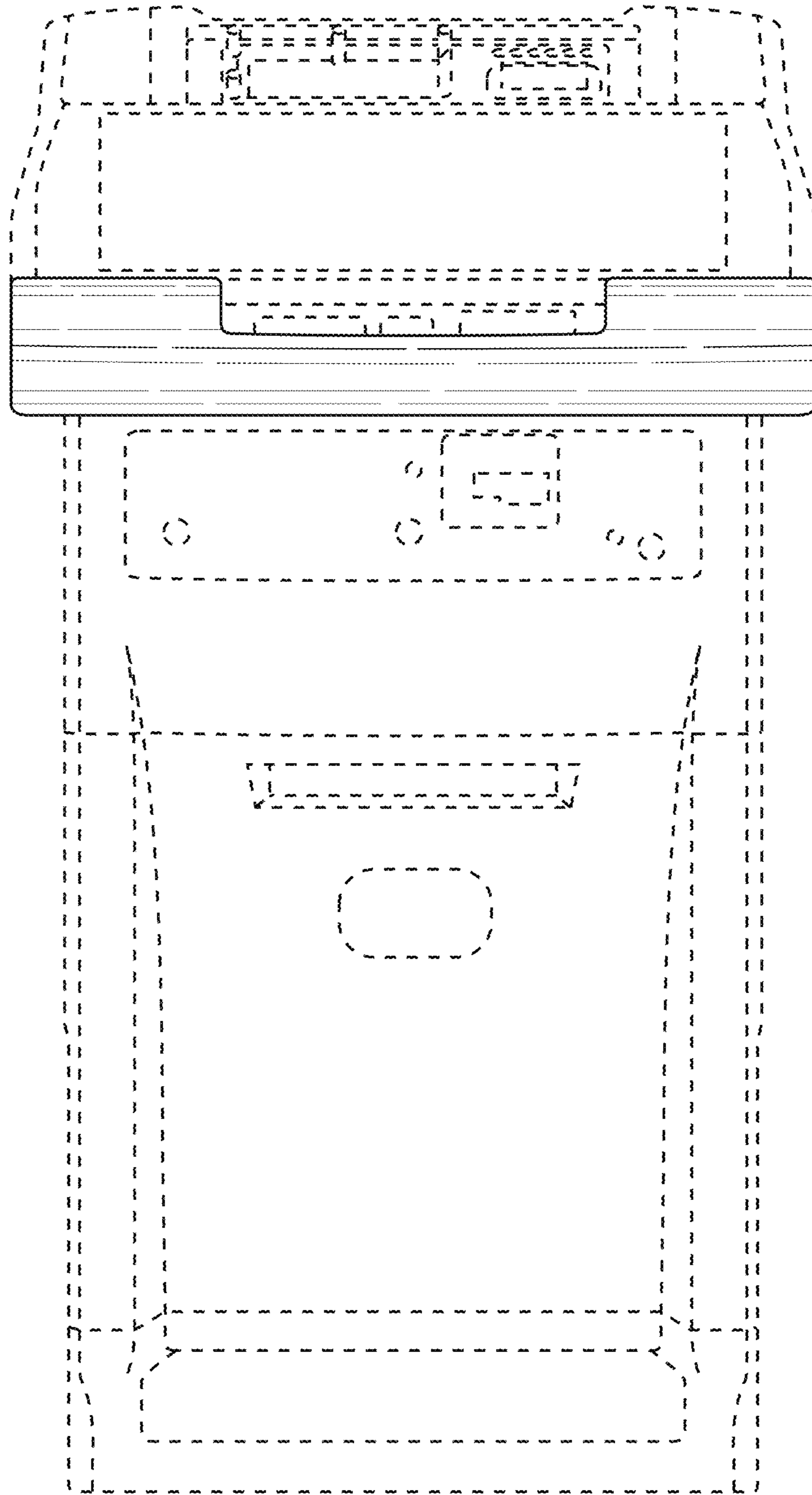


FIG. 2

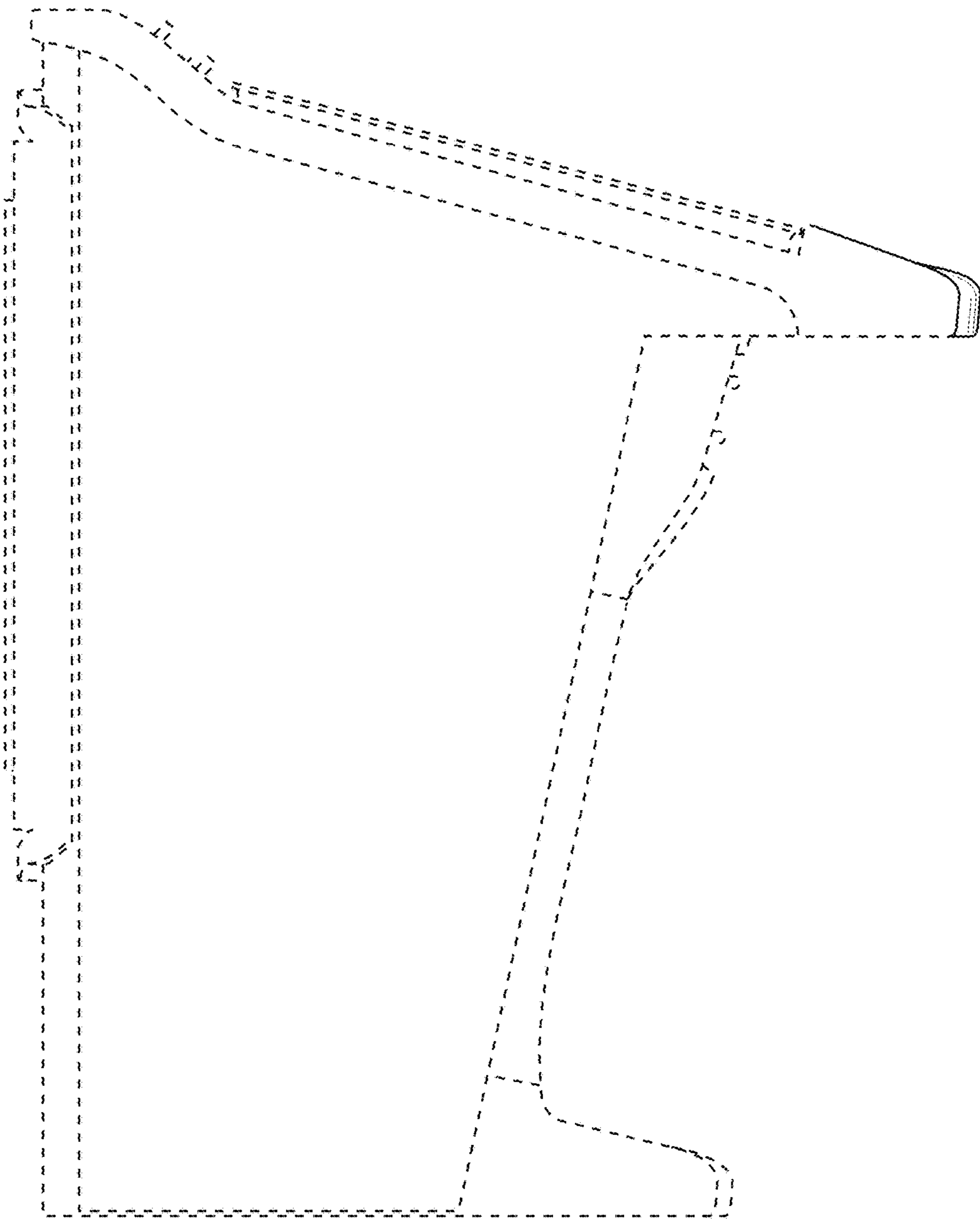


FIG. 3

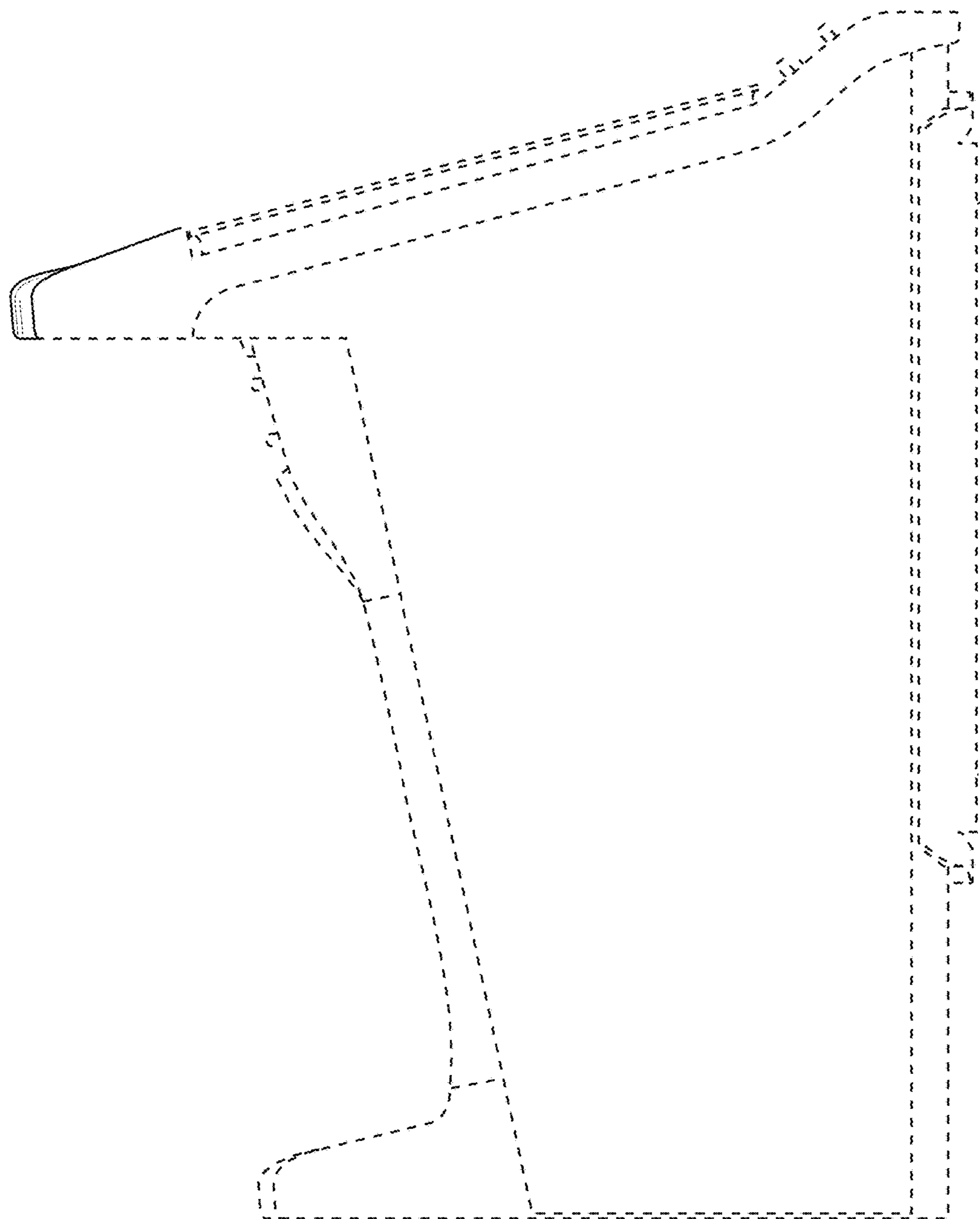


FIG. 4

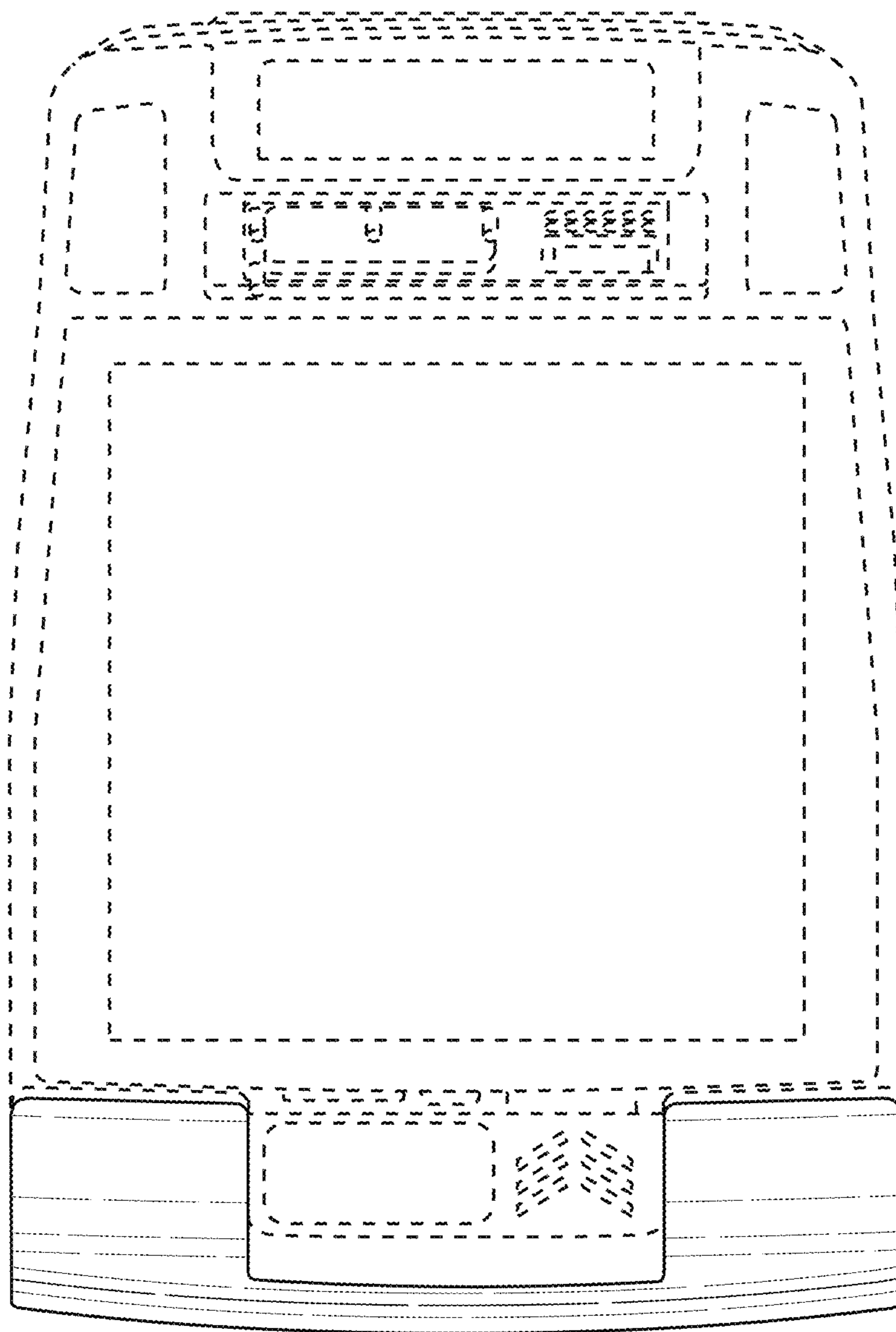


FIG. 5