



US00D843469S

(12) **United States Design Patent** (10) **Patent No.:** **US D843,469 S**
Nettenstrom et al. (45) **Date of Patent:** **** Mar. 19, 2019**

(54) **GAMING DEVICE CABINET WHEEL HOUSING**

D487,582 S * 3/2004 McGahn D21/369
6,705,944 B2 * 3/2004 Luciano G07F 17/32
273/143 R

(71) Applicant: **IGT**, Las Vegas, NV (US)

D503,951 S * 4/2005 Karstens D21/370

(72) Inventors: **Dylan Nettenstrom**, Sparks, NV (US);
Megan Oehlert, Reno, NV (US);
Charles Walter Johnson, Reno, NV
(US); **John Leigh Beadell**, Sparks, NV
(US); **Mathew H. Henderson**, Reno,
NV (US); **Kehl T. LeSourd**, Reno, NV
(US); **Brandon J. Seaman**, Reno, NV
(US); **Mindy V. Eustaquio**, Reno, NV
(US); **Jared P. Wulff**, Reno, NV (US)

D512,465 S * 12/2005 Karstens D21/370
D514,168 S * 1/2006 Kaminkow D21/369
D514,170 S * 1/2006 Kaminkow D21/370
D520,072 S * 5/2006 Seelig D21/370
D523,093 S * 6/2006 Kaminkow D21/324
D526,608 S * 8/2006 Hayashi D12/202
7,198,570 B2 * 4/2007 Rodgers G07F 17/32
463/16
D548,800 S * 8/2007 Kaminkow D21/329

(Continued)

FOREIGN PATENT DOCUMENTS

(73) Assignee: **IGT**, Las Vegas, NV (US)

WO WO 2006/023907 3/2006

(**) Term: **15 Years**

Primary Examiner — Ryan Harvey

(21) Appl. No.: **29/578,496**

(74) Attorney, Agent, or Firm — Neal, Gerber & Eisenberg LLP

(22) Filed: **Sep. 22, 2016**

(51) **LOC (11) Cl.** **21-03**

(57) **CLAIM**

(52) **U.S. Cl.**
USPC **D21/369**

The ornamental design for a gaming device cabinet wheel housing, as shown and described herein.

(58) **Field of Classification Search**

DESCRIPTION

USPC D21/369, 370, 371, 385, 329, 325, 394;
D14/307, 172, 129, 325, 401, 371, 126,
D14/439, 432, 450, 128, 375, 248, 374,
D14/341, 138 G, 127; 463/28, 13, 11,
463/16, 20, 25, 31, 46, 23, 30, 17, 36, 29,
463/42, 34, 32, 35, 19, 21, 22; 273/292,
273/203, 138.2, 143 R, 142 R, 138.1;
D8/335, 331, 334

CPC G07F 17/32; G07F 17/34; G07F 17/3211;
G07F 17/3244; G07F 17/3267

See application file for complete search history.

FIG. 1 is a front view of the gaming device cabinet wheel housing of our new design.

FIG. 2 is a back view of the gaming device cabinet wheel housing of our new design.

FIG. 3 is a left side view of the gaming device cabinet wheel housing of our new design illustrated in FIG. 1.

FIG. 4 is a right side view of the gaming device cabinet wheel housing of our new design illustrated in FIG. 1; and,

FIG. 5 is a top view of the gaming device cabinet wheel housing of our new design illustrated in FIG. 1.

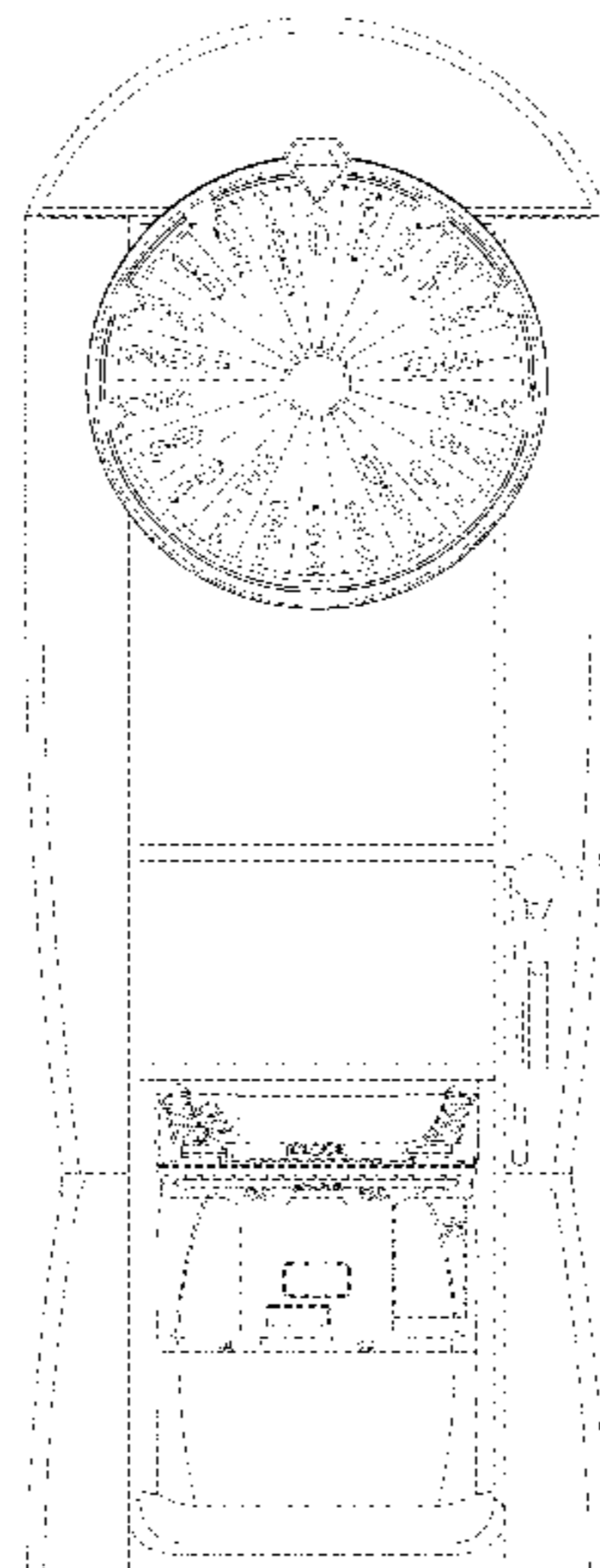
Those portions shown in phantom are for environmental purposes only and form no part of the claimed design.

(56) **References Cited**

U.S. PATENT DOCUMENTS

5,788,573 A 8/1998 Baerlocher et al.
5,823,874 A 10/1998 Adams

1 Claim, 5 Drawing Sheets



(56)

References Cited

U.S. PATENT DOCUMENTS

D558,835 S *	1/2008	Zielinski	D21/370	D690,773 S *	10/2013	Miller	D21/370
D563,478 S *	3/2008	Hanes, III	D21/308	8,956,216 B1 *	2/2015	LeSourd	G07F 17/3213 463/16
D569,919 S *	5/2008	Zielinski	D21/370	8,974,281 B2	3/2015	Beaulieu et al.	
7,461,842 B2 *	12/2008	Wu	A63F 5/045 273/138.1	8,979,636 B2	3/2015	Brooks et al.	
D590,025 S *	4/2009	Fiore	D21/370	9,183,697 B2 *	11/2015	Kido	G07F 17/3211
D591,360 S *	4/2009	Fiore	D21/370	9,329,002 B1 *	5/2016	Krzewicki	A63F 9/0208
D598,904 S *	8/2009	Ho	H01Q 1/44 D14/231	9,489,794 B2 *	11/2016	Hilbert	G07F 17/3211
7,614,949 B2 *	11/2009	Anderson	G07F 17/32 273/138.2	D780,201 S *	2/2017	Zielinski	D14/486
D625,368 S *	10/2010	Nelson	D21/370	D801,834 S *	11/2017	Briheim	D10/65
7,857,698 B2 *	12/2010	Hein	G07F 17/32 463/16	D814,575 S *	4/2018	Colvin	D21/385
7,862,422 B2 *	1/2011	Garamendi	G07F 17/34 463/20	2004/0018866 A1 *	1/2004	Inoue	G07F 17/3213 463/16
D665,033 S *	8/2012	DeSimone	D21/385	2006/0025195 A1 *	2/2006	Pennington	G07F 17/3267 463/16
D665,853 S *	8/2012	DeSimone	D21/370	2006/0025200 A1 *	2/2006	Van Asdale	G07F 17/32 463/20
D681,129 S *	4/2013	DeSimone	D21/370	2007/0054727 A1	3/2007	Garamendi et al.	
				2011/0227281 A1 *	9/2011	Vancura	G07F 17/3244 273/142 B
				2012/0122571 A1 *	5/2012	DeSimone	G07F 17/3211 463/31

* cited by examiner

FIG. 1

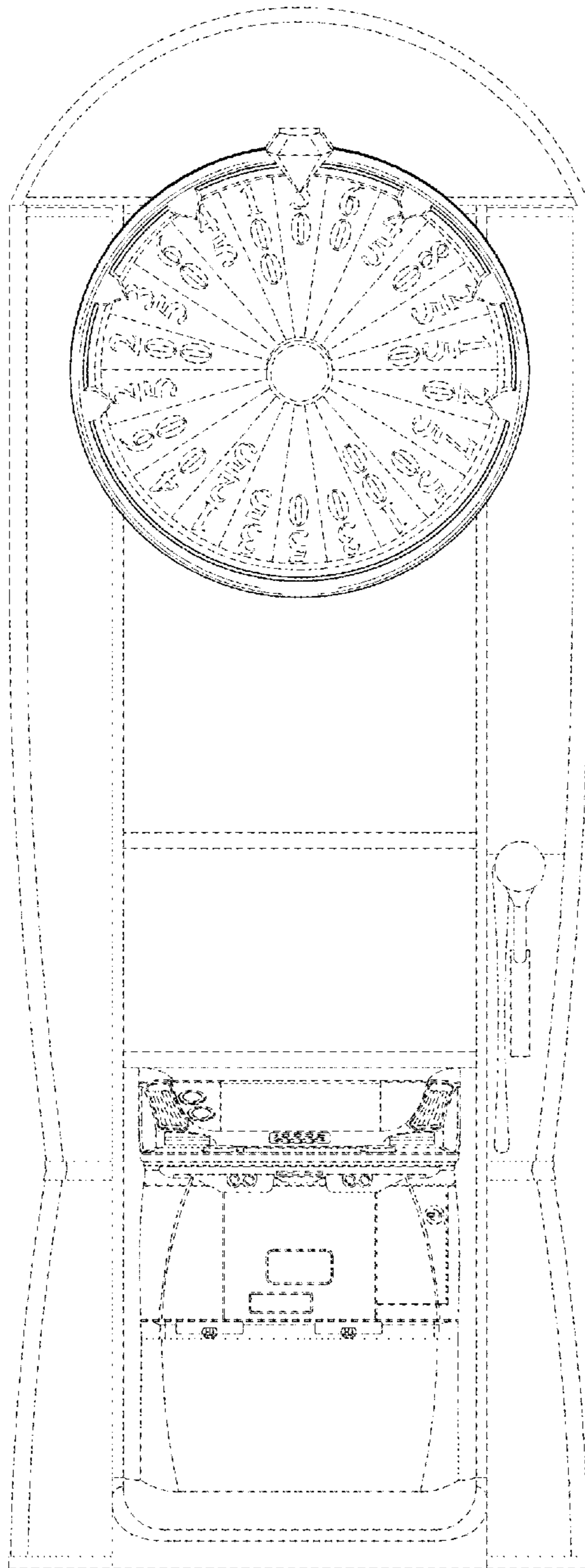


FIG. 2

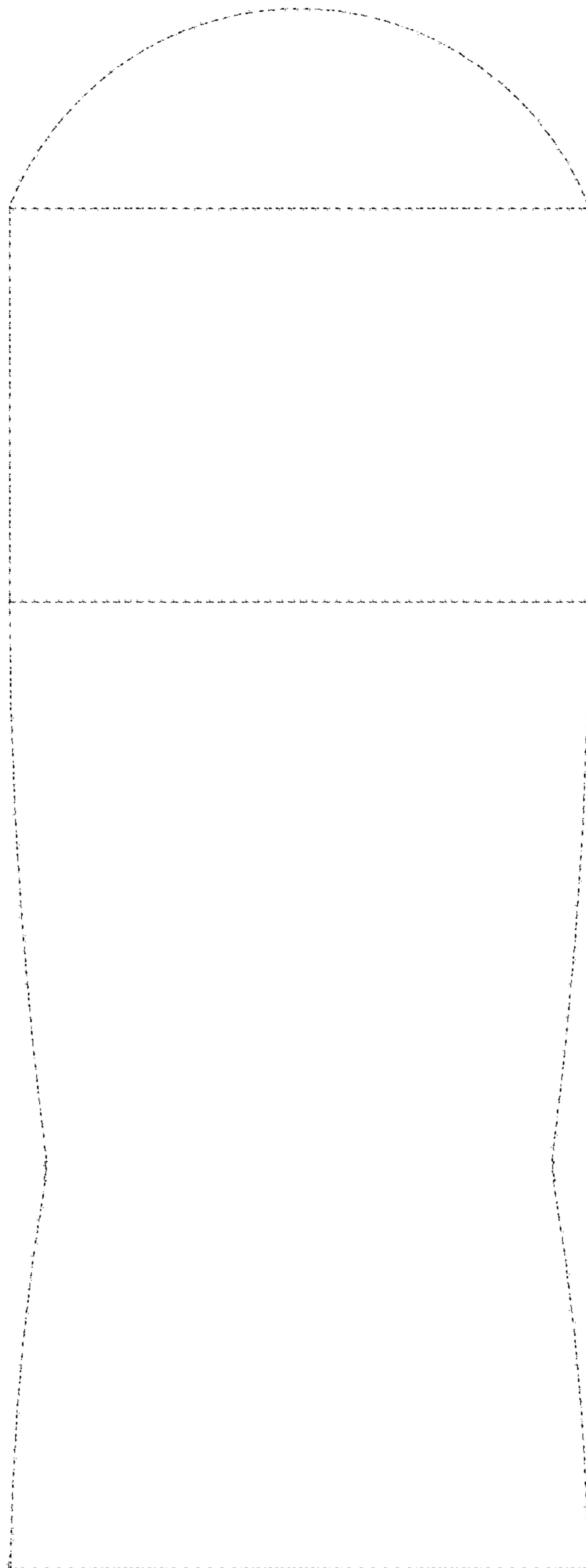


FIG. 3

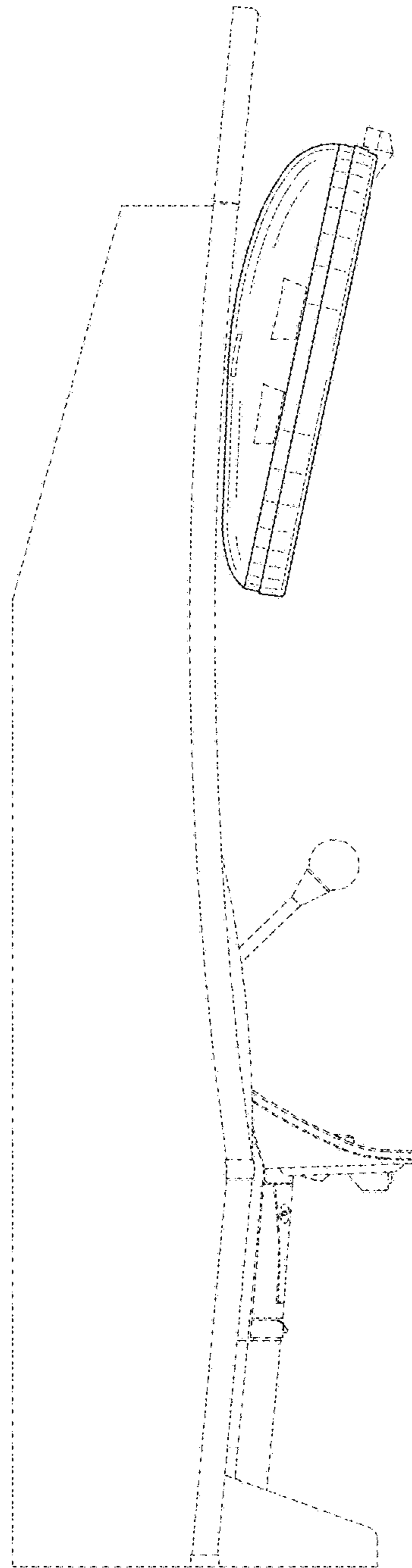


FIG. 4

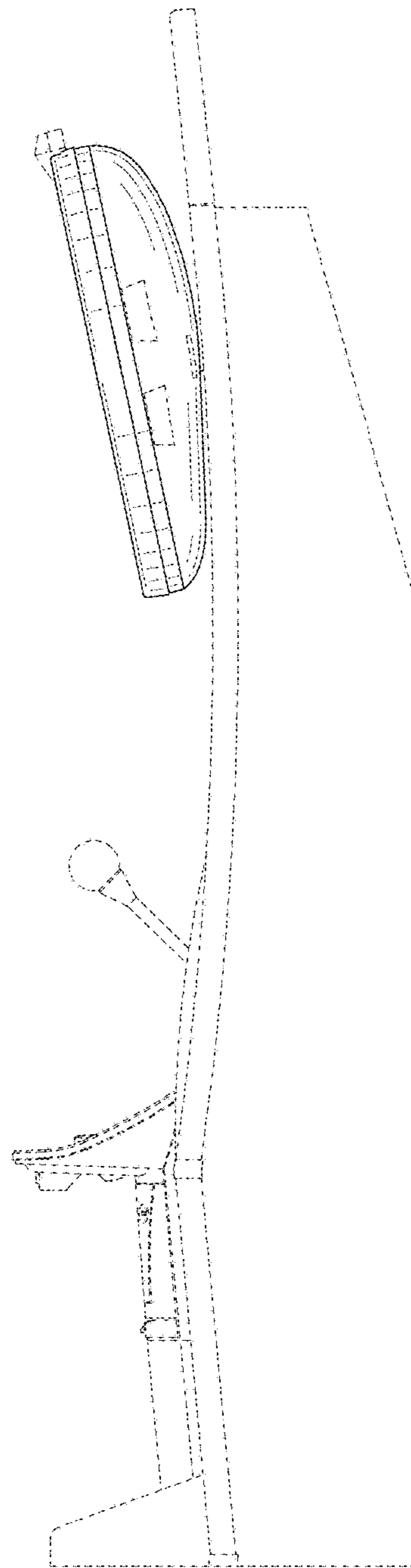


FIG. 5

