



US00D843465S

(12) **United States Design Patent** (10) **Patent No.:** **US D843,465 S**
Castro et al. (45) **Date of Patent:** **** *Mar. 19, 2019**

(54) **GAMING MACHINE WITH CURVED DISPLAY**

(71) Applicant: **BALLY GAMING, INC.**, Las Vegas, NV (US)

(72) Inventors: **Christian L. Castro**, Chicago, IL (US);
Robert J. Glenn, II, Chicago, IL (US);
Paul M. Lesley, Blue Island, IL (US)

(73) Assignee: **BALLY GAMING, INC.**, Las Vegas, NV (US)

(*) Notice: This patent is subject to a terminal disclaimer.

(**) Term: **15 Years**

(21) Appl. No.: **29/577,523**

(22) Filed: **Sep. 13, 2016**

(51) **LOC (11) Cl.** **21-03**

(52) **U.S. Cl.**
USPC **D21/369**

(58) **Field of Classification Search**
USPC D21/369, 370, 371, 385, 329, 325, 394;
D14/307, 172, 129, 325, 401, 371, 126,
D14/439, 432, 450, 128, 375, 248, 374,
D14/341, 138 G, 127; 463/28, 13, 11,
463/16, 20, 25, 31, 46, 23, 30, 17, 36, 29,
463/42, 34, 32, 35, 19, 21, 22; 273/292,
273/203, 138.2, 143 R, 142 R, 138.1;
D19/60; D16/226; D8/335, 331, 334;
D26/141; D7/641

CPC G07F 17/32; G07F 17/34; G07F 17/3211;
G07F 17/3244; G07F 17/3267

See application file for complete search history.

(56) **References Cited**

U.S. PATENT DOCUMENTS

2,661,954 A 12/1953 Koci
D236,720 S 9/1975 Baker

D238,379 S 1/1976 Miller
4,046,419 A 9/1977 Schmitt
D264,485 S 5/1982 Kitchen
4,372,557 A 2/1983 Del Principe et al.
4,373,725 A 2/1983 Ritchie
D275,772 S 10/1984 Akopian et al.
D280,835 S 10/1985 Berge et al.
D280,836 S 10/1985 Ludzia et al.

(Continued)

FOREIGN PATENT DOCUMENTS

EP 649 671 A1 4/1995
JP 03210172 B2 9/2001

(Continued)

OTHER PUBLICATIONS

Product Sheet for "American Eagle," Eagle Co. Ltd., 1997 (2 pages).

(Continued)

Primary Examiner — Ryan Harvey

(74) *Attorney, Agent, or Firm* — Banner & Witcoff, Ltd.

(57) **CLAIM**

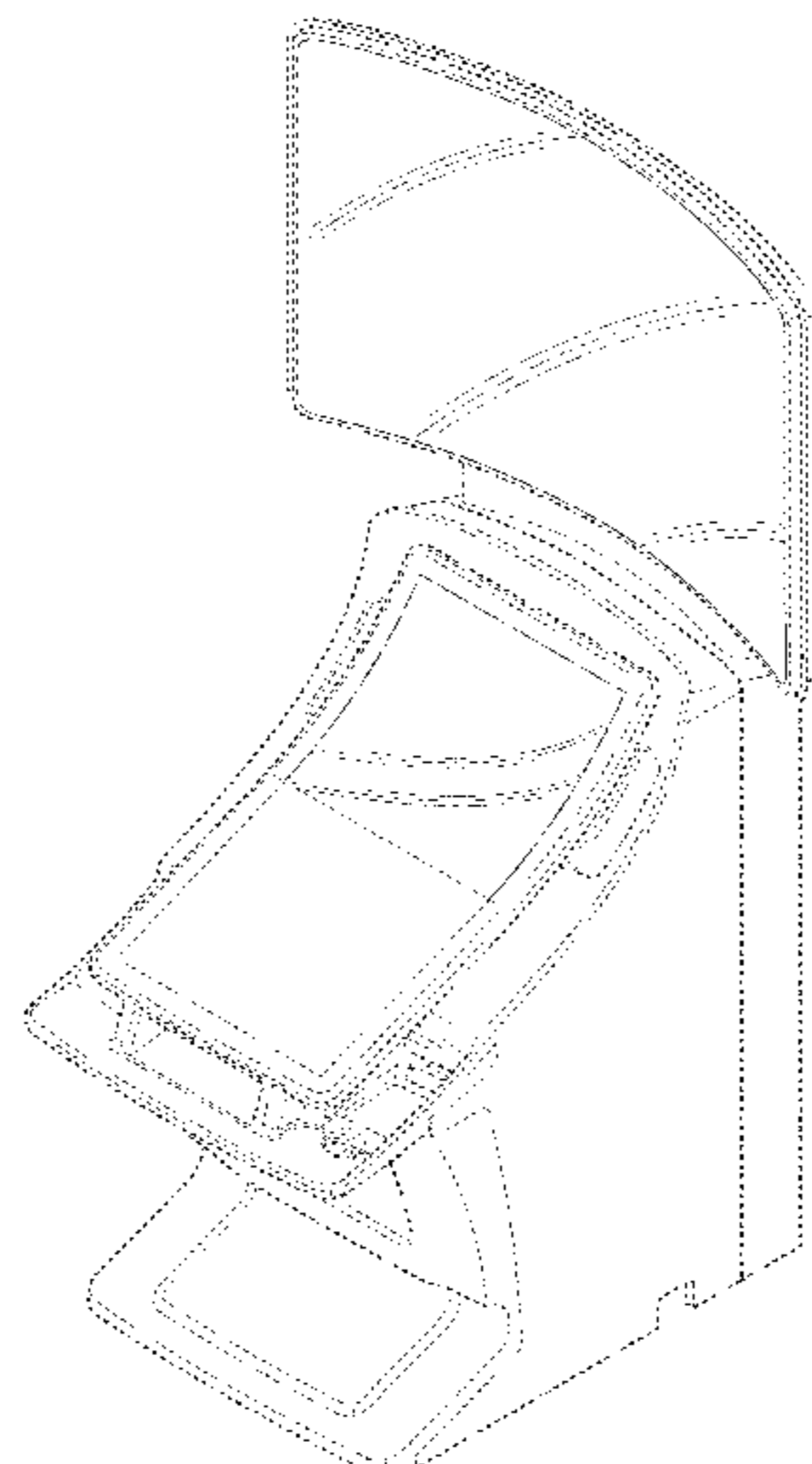
The ornamental design for a gaming machine with curved display, as shown and described.

DESCRIPTION

FIG. 1 is a front perspective view of a gaming machine with curved display showing our new design;
FIG. 2 is a front view thereof;
FIG. 3 is a left side view thereof;
FIG. 4 is a right side view thereof; and,
FIG. 5 is a top view thereof.

The broken line showing of the remainder of the gaming machine illustrates environmental structure and forms no part of the claimed design. The broken line adjacent the bottom of the shaded region of the lower display represents an unclaimed boundary of the design.

1 Claim, 5 Drawing Sheets



(56)

References Cited

U.S. PATENT DOCUMENTS

| | | | | | |
|-------------|---------|-------------------|--------------|---------|---------------------|
| 4,606,545 A | 8/1986 | Ritchie | D405,473 S | 2/1999 | Tikhonski et al. |
| 4,705,274 A | 11/1987 | Lubeck | D407,759 S | 4/1999 | Isetani et al. |
| 4,840,343 A | 6/1989 | Gasser | D408,366 S | 4/1999 | Popadiuk |
| 4,861,037 A | 8/1989 | Oursler | 5,890,715 A | 4/1999 | Gomez et al. |
| 4,960,117 A | 10/1990 | Moncrief et al. | 5,899,454 A | 5/1999 | Eddy et al. |
| 4,981,298 A | 1/1991 | Lawlor et al. | 5,924,690 A | 7/1999 | Kopera et al. |
| D315,110 S | 3/1991 | Slater | 5,934,672 A | 8/1999 | Sines et al. |
| 5,015,189 A | 5/1991 | Wenzinger | 5,938,195 A | 8/1999 | Anghelo et al. |
| D318,660 S | 7/1991 | Weber | 5,944,309 A | 8/1999 | Popadiuk et al. |
| 5,074,558 A | 12/1991 | Bleich et al. | D417,145 S | 11/1999 | McLaughlin |
| 5,083,738 A | 1/1992 | Infanti | 5,984,782 A | 11/1999 | Inoue |
| 5,091,677 A | 2/1992 | Bleich et al. | 6,000,697 A | 12/1999 | Popadiuk et al. |
| 5,102,192 A | 4/1992 | Barile, Sr. | D419,201 S | 1/2000 | de Haas |
| 5,110,120 A | 5/1992 | Smolucha | D419,606 S | 1/2000 | Toriyama |
| 5,114,112 A | 5/1992 | Infanti | 6,036,188 A | 3/2000 | Gomez et al. |
| 5,120,058 A | 6/1992 | Trudeau et al. | 6,047,962 A | 4/2000 | Popadiuk |
| 5,123,647 A | 6/1992 | Lawlor et al. | 6,047,963 A | 4/2000 | Pierce |
| 5,143,055 A | 9/1992 | Eakin | D424,122 S | 5/2000 | Dickenson et al. |
| 5,149,094 A | 9/1992 | Tastad | 6,071,190 A | 6/2000 | Weiss et al. |
| D333,164 S | 2/1993 | Kraft et al. | D428,062 S | 7/2000 | Hayashi |
| 5,193,807 A | 3/1993 | Schilling et al. | 6,089,663 A | 7/2000 | Hill |
| 5,195,746 A | 3/1993 | Boyd et al. | 6,102,394 A | 8/2000 | Wurz et al. |
| D335,150 S | 4/1993 | Biagi et al. | 6,113,097 A | 9/2000 | Krutsch et al. |
| 5,226,653 A | 7/1993 | Bil et al. | 6,117,010 A | 9/2000 | Canterbury et al. |
| 5,232,191 A | 8/1993 | Infanti | 6,120,021 A | 9/2000 | Piotrowski et al. |
| 5,290,034 A | 3/1994 | Hineman | 6,129,353 A | 10/2000 | DeMar et al. |
| 5,297,793 A | 3/1994 | DeMar et al. | 6,129,355 A | 10/2000 | Hahn et al. |
| 5,316,303 A | 5/1994 | Trudeau et al. | 6,135,449 A | 10/2000 | Cornell et al. |
| 5,322,283 A | 6/1994 | Ritchie et al. | 6,135,562 A | 10/2000 | Infanti |
| 5,326,104 A | 7/1994 | Pease et al. | 6,149,153 A | 11/2000 | Sheats, Jr. |
| 5,350,174 A | 9/1994 | Ritchie et al. | 6,155,565 A | 12/2000 | Gomez et al. |
| D351,869 S | 10/1994 | Rothschild et al. | 6,155,925 A | 12/2000 | Giobbi et al. |
| 5,351,954 A | 10/1994 | Oursler et al. | 6,158,737 A | 12/2000 | Cornell et al. |
| 5,357,104 A | 10/1994 | Bleich | 6,159,098 A | 12/2000 | Slomiany et al. |
| 5,358,241 A | 10/1994 | Anghelo et al. | 6,164,644 A | 12/2000 | Cornell et al. |
| 5,358,242 A | 10/1994 | Trudeau et al. | 6,173,955 B1 | 1/2001 | Perrie et al. |
| 5,358,243 A | 10/1994 | Eddy et al. | 6,199,861 B1 | 3/2001 | Hume et al. |
| D352,738 S | 11/1994 | Anghelo et al. | D439,931 S | 4/2001 | Yamaguchi |
| 5,383,663 A | 1/1995 | Anghelo et al. | 6,210,279 B1 | 4/2001 | Dickinson |
| 5,405,144 A | 4/1995 | Ritchie et al. | 6,224,482 B1 | 5/2001 | Bennett |
| 5,409,296 A | 4/1995 | Barile | 6,227,614 B1 | 5/2001 | Rubin |
| 5,411,257 A | 5/1995 | Fulton | 6,227,970 B1 | 5/2001 | Shimizu et al. |
| 5,415,402 A | 5/1995 | Morrison et al. | D443,313 S | 6/2001 | Brettschneider |
| 5,415,403 A | 5/1995 | Ritchie et al. | D446,252 S | 8/2001 | Yamaguchi |
| 5,417,423 A | 5/1995 | Oursler et al. | 6,283,546 B1 | 9/2001 | Hill |
| 5,417,425 A | 5/1995 | Blumberg et al. | 6,290,229 B1 | 9/2001 | Perez |
| 5,437,453 A | 8/1995 | Hineman | D450,094 S | 11/2001 | Hedrick et al. |
| 5,465,963 A | 11/1995 | Patla, Sr. | 6,334,612 B1 | 1/2002 | Wurz et al. |
| 5,472,197 A | 12/1995 | Gwiasda et al. | 6,354,660 B1 | 3/2002 | Friedrich |
| 5,494,286 A | 2/1996 | DeMar et al. | D459,402 S | 6/2002 | Wurz et al. |
| 5,507,488 A | 4/1996 | Eddy et al. | 6,422,670 B1 | 7/2002 | Hedrick et al. |
| 5,511,783 A | 4/1996 | Popadiuk et al. | 6,422,941 B1 | 7/2002 | Thorner et al. |
| 5,516,103 A | 5/1996 | Lawlor et al. | 6,439,993 B1 | 8/2002 | O'Halloran |
| 5,522,641 A | 6/1996 | Infanti | D463,504 S | 9/2002 | Stephan |
| 5,524,887 A | 6/1996 | Trudeau et al. | D464,377 S | 10/2002 | Wurz et al. |
| 5,533,726 A | 7/1996 | Nordman et al. | D465,813 S | 11/2002 | Randall |
| 5,542,748 A | 8/1996 | Barile | D466,160 S | 11/2002 | Hirato et al. |
| D376,391 S | 12/1996 | Okumura | D467,977 S | 12/2002 | Gatto et al. |
| 5,580,052 A | 12/1996 | Popadiuk et al. | D468,364 S | 1/2003 | Beadell et al. |
| 5,632,482 A | 5/1997 | Anghelo | 6,530,842 B1 | 3/2003 | Wells et al. |
| D380,014 S | 6/1997 | Yang | 6,530,872 B2 | 3/2003 | Frehland et al. |
| 5,655,965 A | 8/1997 | Takemoto et al. | 6,572,187 B2 | 6/2003 | Laufer |
| 5,664,777 A | 9/1997 | Nordman et al. | 6,589,114 B2 | 7/2003 | Rose |
| 5,669,818 A | 9/1997 | Thorner et al. | 6,609,972 B2 | 8/2003 | Seelig et al. |
| 5,678,886 A | 10/1997 | Infanti | 6,616,142 B2 | 9/2003 | Adams |
| 5,697,612 A | 12/1997 | Piotrowski et al. | 6,620,047 B1 | 9/2003 | Alcorn et al. |
| 5,704,835 A | 1/1998 | Dietz, II | D481,078 S | 10/2003 | Stephan |
| 5,707,059 A | 1/1998 | Sullivan et al. | 6,646,695 B1 | 11/2003 | Gauselmann |
| 5,720,480 A | 2/1998 | Lawlor et al. | 6,652,378 B2 | 11/2003 | Cannon et al. |
| D395,463 S | 6/1998 | Scott et al. | D483,075 S | 12/2003 | Kang |
| 5,762,617 A | 6/1998 | Infanti | D484,548 S | 12/2003 | Franco Munoz et al. |
| 5,791,731 A | 8/1998 | Infanti | D485,583 S | 1/2004 | Porto |
| 5,806,851 A | 9/1998 | Gomez et al. | 6,715,756 B2 | 4/2004 | Inoue |
| 5,820,460 A | 10/1998 | Fulton | 6,729,618 B1 | 5/2004 | Koenig et al. |
| 5,833,236 A | 11/1998 | Oursler et al. | D492,363 S | 6/2004 | Seelig et al. |
| | | | D492,364 S | 6/2004 | Seelig et al. |
| | | | D492,365 S | 6/2004 | Munoz et al. |
| | | | D492,676 S | 7/2004 | Monson et al. |
| | | | D493,843 S | 8/2004 | Jackson, Sr. et al. |

(56)

References Cited

U.S. PATENT DOCUMENTS

| | | | | | |
|--------------|---------|----------------------|--------------|---------|-----------------------|
| D493,846 S | 8/2004 | Seelig et al. | D631,100 S | 1/2011 | Palmisano |
| D495,754 S | 9/2004 | Wurz et al. | D633,950 S | 3/2011 | Terpstra et al. |
| D495,755 S | 9/2004 | Wurz et al. | D637,238 S | 5/2011 | O'Keene et al. |
| D498,267 S | 11/2004 | Crouch | D637,652 S | 5/2011 | Tahara et al. |
| D500,098 S | 12/2004 | Doi | 7,938,728 B2 | 5/2011 | Vetter et al. |
| 6,880,825 B2 | 4/2005 | Seelig et al. | 7,955,176 B2 | 6/2011 | Tastad et al. |
| D505,162 S | 5/2005 | Bristol et al. | D641,047 S | 7/2011 | Tahara et al. |
| D508,268 S | 8/2005 | Hanchar et al. | 7,976,393 B2 | 7/2011 | Haga et al. |
| D508,269 S | 8/2005 | Wichinsky | 7,985,139 B2 | 7/2011 | Lind et al. |
| D508,719 S | 8/2005 | de Haas | 8,002,424 B2 | 8/2011 | Hwang et al. |
| D508,961 S | 8/2005 | Gatto et al. | 8,002,626 B2 | 8/2011 | Englman |
| D509,254 S | 9/2005 | Rasmussen et al. | D646,336 S | 10/2011 | Kelly et al. |
| D509,255 S | 9/2005 | Bristol et al. | D646,337 S | 10/2011 | Kelly et al. |
| D512,105 S | 11/2005 | Chitrapongse et al. | D646,691 S | 10/2011 | Thai et al. |
| D513,511 S | 1/2006 | Decombe | D649,605 S | 11/2011 | Terpstra et al. |
| D515,144 S | 2/2006 | Boyd | D651,608 S | 1/2012 | Allen et al. |
| 6,997,810 B2 | 2/2006 | Cole | 8,152,623 B2 | 4/2012 | Fiden |
| D520,504 S | 5/2006 | Martin | 8,162,740 B2 | 4/2012 | Aoki |
| 7,063,615 B2 | 6/2006 | Alcorn et al. | 8,216,061 B2 | 7/2012 | Pacey |
| 7,108,237 B2 | 9/2006 | Gauselmann | 8,267,764 B1 | 9/2012 | Aoki et al. |
| D531,677 S | 11/2006 | Mallory et al. | D669,076 S | 10/2012 | Haller |
| 7,184,277 B2 | 2/2007 | Beime | 8,292,451 B2 | 10/2012 | Hwang et al. |
| D537,885 S | 3/2007 | Gadda et al. | 8,303,420 B2 | 11/2012 | Chudek et al. |
| D539,854 S | 4/2007 | Luciano et al. | 8,305,743 B2 | 11/2012 | Wu et al. |
| D540,398 S | 4/2007 | Gadda et al. | 8,323,114 B2 | 12/2012 | Burak et al. |
| D546,893 S | 7/2007 | Yamashita | D673,620 S | 1/2013 | Johnson et al. |
| 7,247,098 B1 | 7/2007 | Bradford et al. | D673,621 S * | 1/2013 | Johnson D21/369 |
| D548,801 S | 8/2007 | Groswirt | 8,353,755 B2 | 1/2013 | Vann et al. |
| D549,785 S | 8/2007 | Luciano, Jr. et al. | 8,371,920 B2 | 2/2013 | Gomez et al. |
| 7,267,612 B2 | 9/2007 | Alcorn et al. | 8,371,927 B2 | 2/2013 | Englman |
| D554,710 S | 11/2007 | Malone et al. | 8,371,928 B2 | 2/2013 | Englman et al. |
| D556,765 S | 12/2007 | Evans et al. | 8,376,832 B2 | 2/2013 | O'Connor et al. |
| D557,748 S | 12/2007 | Jumper | D678,955 S | 3/2013 | Lesley et al. |
| D559,328 S | 1/2008 | Rasmussen et al. | D678,956 S | 3/2013 | Lesley et al. |
| D559,917 S | 1/2008 | Cole | D678,957 S | 3/2013 | Cesaroni et al. |
| D560,724 S | 1/2008 | Johnson | D678,958 S | 3/2013 | Cesaroni et al. |
| D560,725 S | 1/2008 | Johnson | D681,130 S | 4/2013 | Lesley et al. |
| D563,326 S | 3/2008 | Patel et al. | 8,430,756 B2 | 4/2013 | McComb et al. |
| D563,481 S | 3/2008 | Looks et al. | D682,948 S | 5/2013 | Cesaroni et al. |
| D564,600 S | 3/2008 | Greenberg et al. | D685,033 S | 6/2013 | Wudtke |
| D564,601 S | 3/2008 | Strahinic et al. | D685,435 S * | 7/2013 | Hohman D21/370 |
| D566,197 S | 4/2008 | Greenberg et al. | D691,665 S | 10/2013 | Chudek |
| D569,863 S | 5/2008 | Feldstein et al. | D691,666 S | 10/2013 | Lesley et al. |
| D572,314 S | 7/2008 | Vallejo et al. | D693,343 S | 11/2013 | Haller |
| D578,168 S | 10/2008 | Looks et al. | D697,558 S | 1/2014 | Myers et al. |
| D581,983 S | 12/2008 | Bergstrom | D704,273 S | 5/2014 | Chudek |
| RE40,625 E | 1/2009 | Wurz et al. | D704,275 S | 5/2014 | Lesley et al. |
| 7,479,066 B2 | 1/2009 | Emori | D706,741 S | 6/2014 | Myers |
| D587,272 S | 2/2009 | Morrow et al. | D707,646 S * | 6/2014 | Kim D14/138 G |
| D587,319 S | 2/2009 | Moises Deiab | D712,975 S | 9/2014 | Lesley et al. |
| RE40,671 E | 3/2009 | Wurz et al. | D714,270 S * | 9/2014 | Lee D14/248 |
| 7,503,849 B2 | 3/2009 | Hornik et al. | D714,271 S * | 9/2014 | Lee D14/248 |
| D590,025 S | 4/2009 | Fiore | D714,875 S | 10/2014 | Wudtke et al. |
| D594,068 S | 6/2009 | Hsu | D715,364 S | 10/2014 | Wudtke et al. |
| D596,678 S | 7/2009 | Myers | D719,116 S * | 12/2014 | Bang D14/126 |
| D599,365 S | 9/2009 | Brown et al. | D719,117 S * | 12/2014 | Huh D14/126 |
| D599,858 S | 9/2009 | Lesley et al. | D719,615 S * | 12/2014 | Inoue D21/370 |
| D599,859 S | 9/2009 | Lesley | D719,616 S * | 12/2014 | Inoue D21/370 |
| D599,860 S | 9/2009 | Lesley et al. | D720,316 S * | 12/2014 | Huh D14/126 |
| D601,638 S | 10/2009 | Palmisano | D721,666 S * | 1/2015 | Son D14/126 |
| D604,368 S | 11/2009 | Lesley et al. | D724,042 S * | 3/2015 | Chang D14/126 |
| 7,628,693 B2 | 12/2009 | Thomas | D725,061 S * | 3/2015 | Kim D14/126 |
| 7,666,085 B2 | 2/2010 | Vorias et al. | D725,062 S * | 3/2015 | Cho D14/126 |
| 7,686,689 B2 | 3/2010 | Thomas | D725,616 S * | 3/2015 | Oh D14/126 |
| D613,802 S | 4/2010 | Meyers et al. | D725,618 S * | 3/2015 | Shin D14/126 |
| D615,598 S * | 5/2010 | McComb D21/370 | 8,982,545 B2 | 3/2015 | Kim et al. |
| 7,713,119 B2 | 5/2010 | Pacey et al. | D726,137 S * | 4/2015 | Lee D14/126 |
| D618,682 S * | 6/2010 | Haase D14/371 | D727,431 S * | 4/2015 | Themann D21/370 |
| D622,780 S | 8/2010 | Lesley et al. | D728,502 S * | 5/2015 | Kim D14/126 |
| D622,781 S | 8/2010 | Lesley et al. | D729,186 S * | 5/2015 | Kim D14/126 |
| D622,782 S | 8/2010 | Chudek et al. | D730,858 S * | 6/2015 | Yoon D14/126 |
| D626,182 S | 10/2010 | Cole et al. | D730,993 S | 6/2015 | Castro et al. |
| D626,183 S | 10/2010 | Cole et al. | D732,520 S * | 6/2015 | Themann D14/307 |
| 7,811,167 B2 | 10/2010 | Giobbi et al. | D735,687 S * | 8/2015 | Bang D14/126 |
| D631,060 S | 1/2011 | Flik et al. | D736,727 S * | 8/2015 | Bang D14/126 |
| | | | D736,728 S * | 8/2015 | Kim D14/126 |
| | | | D740,888 S | 10/2015 | DePalma et al. |
| | | | D742,974 S | 11/2015 | Lesley et al. |
| | | | D742,975 S | 11/2015 | Myers et al. |

(56)

References Cited

U.S. PATENT DOCUMENTS

| | | | | | | |
|--------------|-----|---|---------|-----------------|-------|----------------------|
| D745,519 | S | * | 12/2015 | Cho | | D14/375 |
| D751,520 | S | * | 3/2016 | Seo | | D14/126 |
| D752,535 | S | * | 3/2016 | Kim | | D14/126 |
| D760,846 | S | | 7/2016 | Castro et al. | | |
| D762,601 | S | * | 8/2016 | Seo | | D14/126 |
| D762,613 | S | * | 8/2016 | Garneau | | D14/172 |
| RE46,169 | E | | 10/2016 | Kelly et al. | | |
| D768,629 | S | * | 10/2016 | Bae | | D14/374 |
| D773,415 | S | * | 12/2016 | Behar | | D14/126 |
| D774,011 | S | * | 12/2016 | Behar | | D14/126 |
| D777,127 | S | * | 1/2017 | Kim | | D14/126 |
| D812,146 | S | * | 3/2018 | Castro | | D21/369 |
| D812,149 | S | * | 3/2018 | Castro | | D21/369 |
| 2002/0041069 | A1 | | 4/2002 | Steelman | | |
| 2003/0122973 | A1 | | 7/2003 | Huang | | |
| 2004/0018877 | A1 | | 1/2004 | Tastad et al. | | |
| 2004/0029631 | A1 | | 2/2004 | Duhamel | | |
| 2004/0053662 | A1 | | 3/2004 | Pacey | | |
| 2005/0014547 | A1 | | 1/2005 | Gomez et al. | | |
| 2006/0009284 | A1 | | 1/2006 | Schwartz et al. | | |
| 2006/0034042 | A1 | | 2/2006 | Hisano et al. | | |
| 2006/0079316 | A1 | | 4/2006 | Flemming et al. | | |
| 2006/0131810 | A1 | | 6/2006 | Nicely | | |
| 2006/0183553 | A1 | | 8/2006 | Kiriyama et al. | | |
| 2006/0199638 | A1 | | 9/2006 | Walker et al. | | |
| 2006/0281559 | A1 | | 12/2006 | Luciano | | |
| 2006/0287111 | A1 | | 12/2006 | Mitchell et al. | | |
| 2008/0039213 | A1 | | 2/2008 | Cornell et al. | | |
| 2008/0051202 | A1 | | 2/2008 | Lube | | |
| 2009/0174996 | A1 | | 7/2009 | Park | | |
| 2010/0053231 | A1 | | 3/2010 | Park | | |
| 2011/0136573 | A1* | | 6/2011 | McComb | | A63F 13/08 463/31 |
| 2012/0122569 | A1 | | 5/2012 | Kowolik et al. | | |
| 2012/0168058 | A1 | | 7/2012 | Kim et al. | | |
| 2013/0180653 | A1 | | 7/2013 | Kim et al. | | |
| 2013/0278875 | A1 | | 10/2013 | Kim et al. | | |
| 2014/0055696 | A1 | | 2/2014 | Lee et al. | | |
| 2014/0092356 | A1 | | 4/2014 | Ahn et al. | | |
| 2014/0176856 | A1 | | 6/2014 | Lee et al. | | |
| 2014/0226111 | A1 | | 8/2014 | Kim | | |
| 2014/0226112 | A1 | | 8/2014 | Kim | | |
| 2014/0354938 | A1 | | 12/2014 | Kim | | |
| 2014/0368782 | A1 | | 12/2014 | Kim et al. | | |
| 2014/0375936 | A1 | | 12/2014 | Park et al. | | |
| 2015/0000823 | A1 | | 1/2015 | Kim et al. | | |
| 2015/0036073 | A1 | | 2/2015 | Im et al. | | |
| 2015/0116621 | A1 | | 4/2015 | Park et al. | | |
| 2015/0116625 | A1 | | 4/2015 | Hwang et al. | | |
| 2015/0301390 | A1 | | 10/2015 | Kim | | |
| 2016/0364946 | A1* | | 12/2016 | Castro | | G07F 17/3216 |
| 2017/0039803 | A1* | | 2/2017 | Lesley | | G07F 17/3216 |

FOREIGN PATENT DOCUMENTS

| | | | |
|----|-----------------|----|---------|
| KR | 10-1113734 | B1 | 2/2012 |
| KR | 10-2012-0051630 | A | 5/2012 |
| KR | 10-1268471 | B1 | 6/2013 |
| KR | 10-1278904 | B1 | 6/2013 |
| KR | 10-1336677 | B1 | 12/2013 |
| KR | 10-1381609 | B1 | 4/2014 |
| KR | 10-1381610 | B1 | 4/2014 |
| KR | 10-2015-0013987 | A | 2/2015 |
| KR | 10-1539221 | B1 | 7/2015 |
| TW | 200949775 | A | 12/2009 |

OTHER PUBLICATIONS

Product Sheet for “Monopoly Chairman of the Board™,” WMS Gaming Inc., 1999 (2 pages).
 Product Sheet for “American Eagle,” Eagle Co., Ltd., 2000 (2 pages).
 Product Sheet for “Survivor,” WMS Gaming Inc., 2001 (4 pages).

Product Sheet for “ProSLOT® 6000,” Bally Gaming Systems, 2002 (4 pages).
 Product Sheet for “EVO™ Hybrid,” Bally Gaming Systems, 2002 (4 pages).
 Product Sheet for “3RV™,” WMS Gaming Inc., 2002 or earlier (2 pages).
 Product Sheet for “Miss America,” AC Coin & Slot, 2002 or earlier (2 pages).
 Product Catalog for Ainsworth Game Technology Ltd, date estimated as early as 2007 (6 pages).
 Product Sheet for “Ultrapin™,” Global VR, 2007 (1 pages).
 Brochure for “Virtual Pinball,” Tab-Austria, 2007 (8 pages).
 Catalog for Atronic®—Spielo®, date estimated as early as 2008 (2 pages).
 Product Catalog for “Alpha Elite™,” Bally Technologies, date estimated as early as 2008-2009 (2 pages).
 Cabinet Brochure for Hydako Co., date estimated as early as 2009 (1 page).
 Product Catalog for Bally Technologies, date estimated as early as 2010 (2 pages).
 Fall & Winter Catalog for Aristocrat, date estimated as early as 2010-2011 (7 pages).
 Catalog for “Your Partner Innovation,” Bally Technologies, date estimated as early as 2011 (4 pages).
 Co-pending Design U.S. Appl. No. 29/559,629, filed Mar. 30, 2016.
 Co-pending Design U.S. Appl. No. 29/559,613, filed Mar. 30, 2016.
 Co-pending Design U.S. Appl. No. 29/559,593, filed Mar. 30, 2016.
 Series of Screenshots from video: Wood, Molly (Mar. 26, 2015).
 Major, Clare, Carr, Vanessa, eds. <https://www.nytimes.com/video/technology/personaltech/100000002788325/curved-screens-worth-it.html>.
 Immersaview, “Why choose a Curved Screen for your Multi-Projector Setup”, Jan. 28, 2016; retrieved from <<https://www.immersaview.com/resources/why-curved/>> (7 pages).
 Denison; “Why can’t you buy a flat OLED yet? The curve isn’t just about viewing experience”; Digital Trends; Aug. 18, 2013; retrieved from <<http://www.digitaltrends.com/home-theater-why-did-the-us-get-stuck-with-curved-oled/#!zXypT>> (8 pages).
 Wilcox, “LG, Samsung, and Sony throw TV buyers a curve”; Consumer Reports; Sep. 10, 2013; retrieved from (<http://www.consumerreports.org/cro/news/2013/09/curved-tv-screens/index.htm#>)> (1 page).
 Snider; “Sony tosses latest pitch for curved TV displays”; USA Today; Oct. 15, 2013; retrieved from <<http://www.usatoday.com/story/tech/personal/2013/10/15/new-curved-sony-led-hdtv/2982051/>> (2 pages).
 Morrison; “Curved OLED HDTV screens are a bad idea (for now)”; CNET; Jun. 18, 2013; retrieved from <<https://www.cnet.com/news/curved-oled-hdtv-screens-are-a-bad-idea-for-now/>> (9 pages).
 Cochran; “Why Samsung’s curved-screen TV might be a ‘game changer’”; CBS News; Aug. 14, 2013; retrieved from (<http://www.cbsnews.com/news/why-samsungs-curved-screen-tv-might-be-a-game-changer/>)> (3 pages).
 Kelly; “TV trends at CES: 4K, curves and smart TVs”; CNN; Jan. 8, 2014; retrieved from <<http://www.cnn.com/2014/01/07/tech/gaming-gadgets/ces-television-trends/>> (5 pages).
 Manjoo; “TV Makers Are Out of Ideas”; Wall Street Journal; Jan. 8, 2014; retrieved from <<https://www.wsj.com/news/articles/SB10001424052702303393804579308801012230792>> (4 pages).
 Daniel; “Curved Monitors—Overview”; Curved Monitor Test; Aug. 28, 2015; retrieved from <<http://www.curved-monitor-test.de/>> (5 pages).
 Matthias; “Curved TV—Overview”; Curved TV Test; Apr. 20, 2016; retrieved from <<https://technikblog.net/fernseher-test/curved-tv/>> (16 pages, in German).
 Ljt216; “Flat Screen vs Curved CRTs for Retro Games”; Reddit; Jul. 29, 2015; retrieved from <https://www.reddit.com/r/gamecollecting/comments/3f25r0/flat_screen_vs_curved_crts_for_retro_games/> (4 pages).
 Photonics Industry and Technology Development Association (PIDA); “E-Paper Shows Potential at Creating a Paperless Haven”; OptoLink Magazine, 3 Quarter 2008; pp. 8-11 (4 pages).

(56)

References Cited

OTHER PUBLICATIONS

AU Optronics Corp.; News Center: "AUO Announces Multiple Upcoming Innovations"; Oct. 27, 2008; retrieved from <<http://www.auo.com/?sn=107&lang=en-US&c=10&n=363>>; (2 pages).

DigiTimes, Inc.; "FPD China 2009: AUO 8.9-inch convex display panel"; Mar. 12, 2009; retrieved from <<http://www.digitimes.com/photogallery/showphoto.asp?ID=3376>>; (3 pages).

Gizmodo.com; "AUO Curved Displays, Ultra Thin LCDs on the Way"; May 20, 2008; retrieved from <<http://gizmodo.com/392248/auo-curved-displays-ultra-thin-lcds-on-the-way>>; (2 pages).

PC World; "AU Optronics Shows Off Curved LCD Screen"; May 20, 2008; retrieved from <<http://www.pcworld.com/article/146083/article.amp.html>> (3 pages).

DailyTech; "AUO Shows Off Curved Display and Touch Screen", May 23, 2008; retrieved from <<http://www.dailytech.com/AUO+Shows+Off+Curved+Display+and+Touch+Screen+Tech/article11845.htm>>; (2 pages).

OLED-Info; "LG Phillips LCD Develops 14.3-Inch Color E-Paper Display"; Jan. 4, 2008; retrieved from <http://www.oled-info.com/lg/lg_phillips_lcd_develops_14_3_inch_color_e_paper_display>; (2 pages).

NewLaunches.com; "LG Phillips LCD develops world's highest resolution 14.3 inch flexible color E-paper display!"; Jan. 3, 2008; retrieved from <http://newlaunches.com/archives/lgphillips_lcd_develops_worlds_highest_resolution_143inch_flexible_color_epaper_display.php>; (4 pages).

* cited by examiner

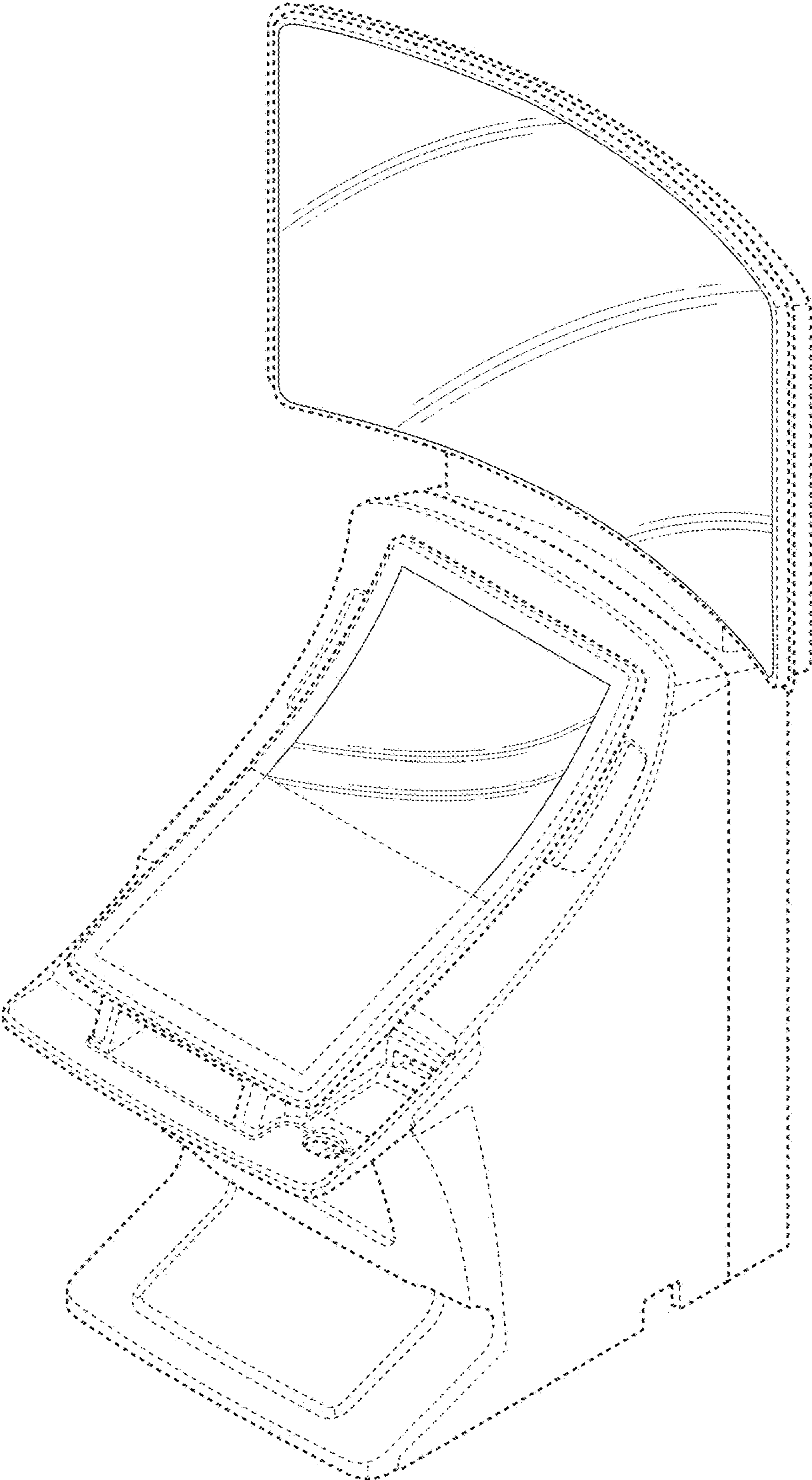


FIG. 1

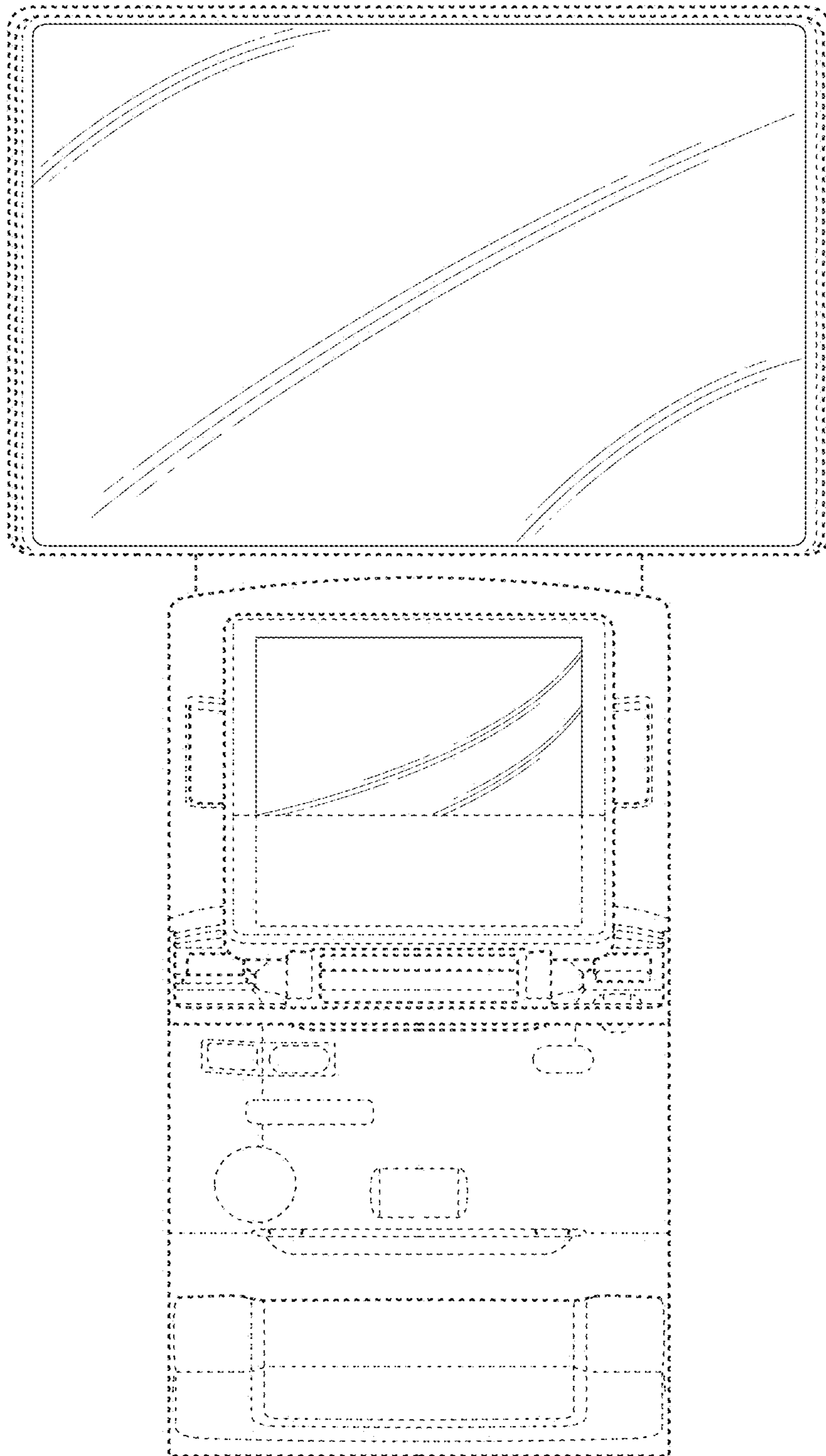


FIG. 2

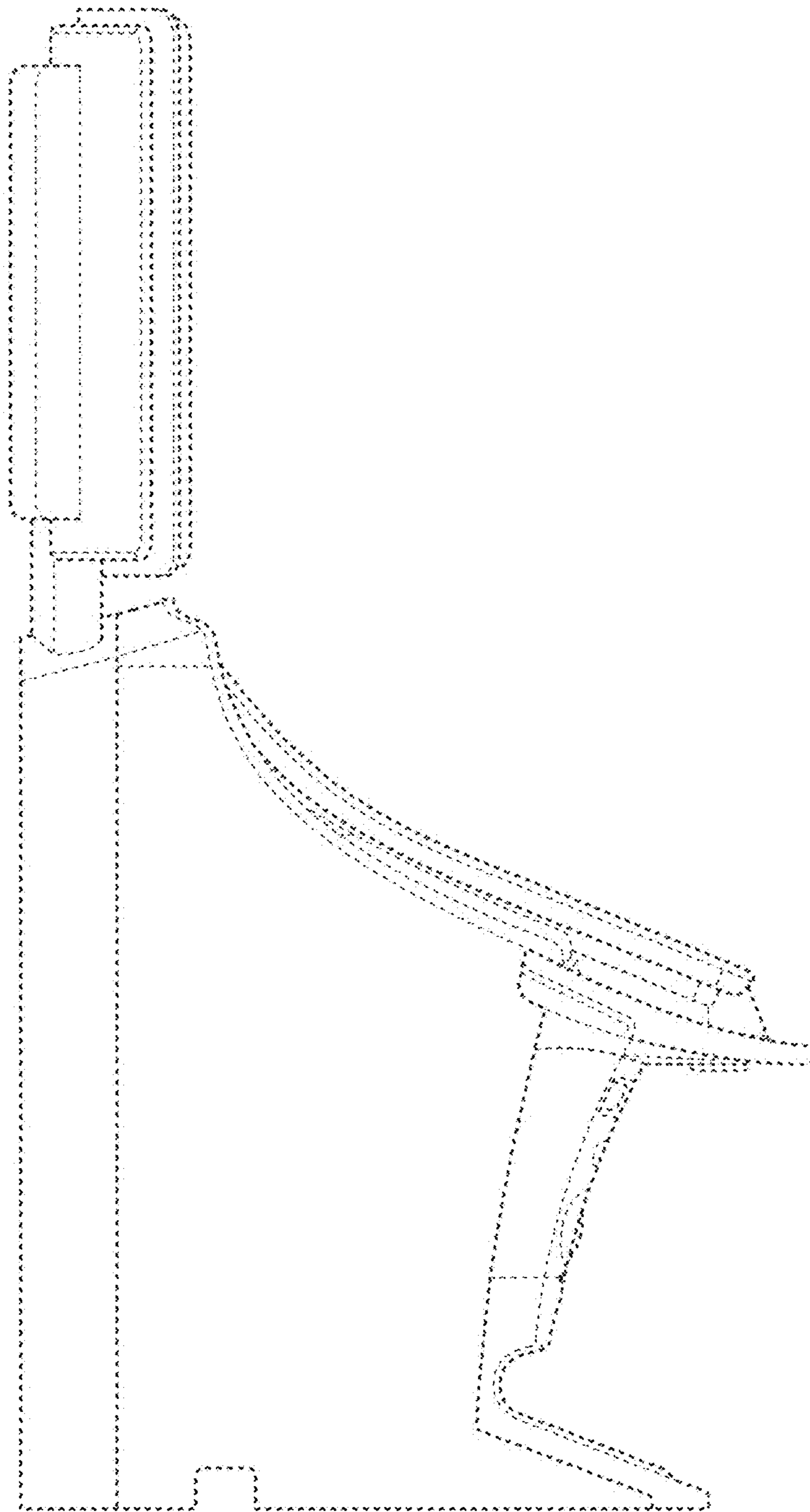


FIG. 3

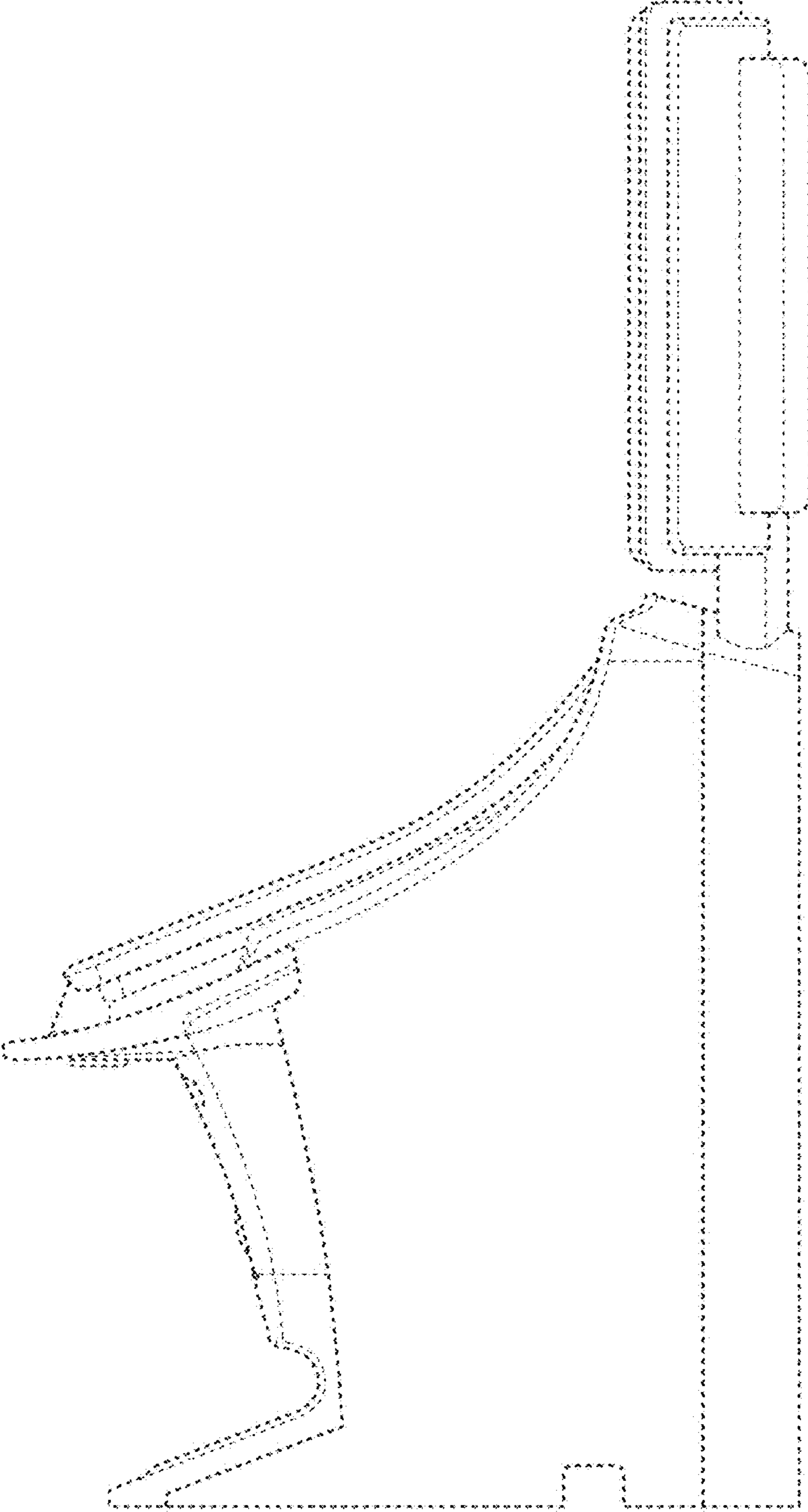


FIG. 4

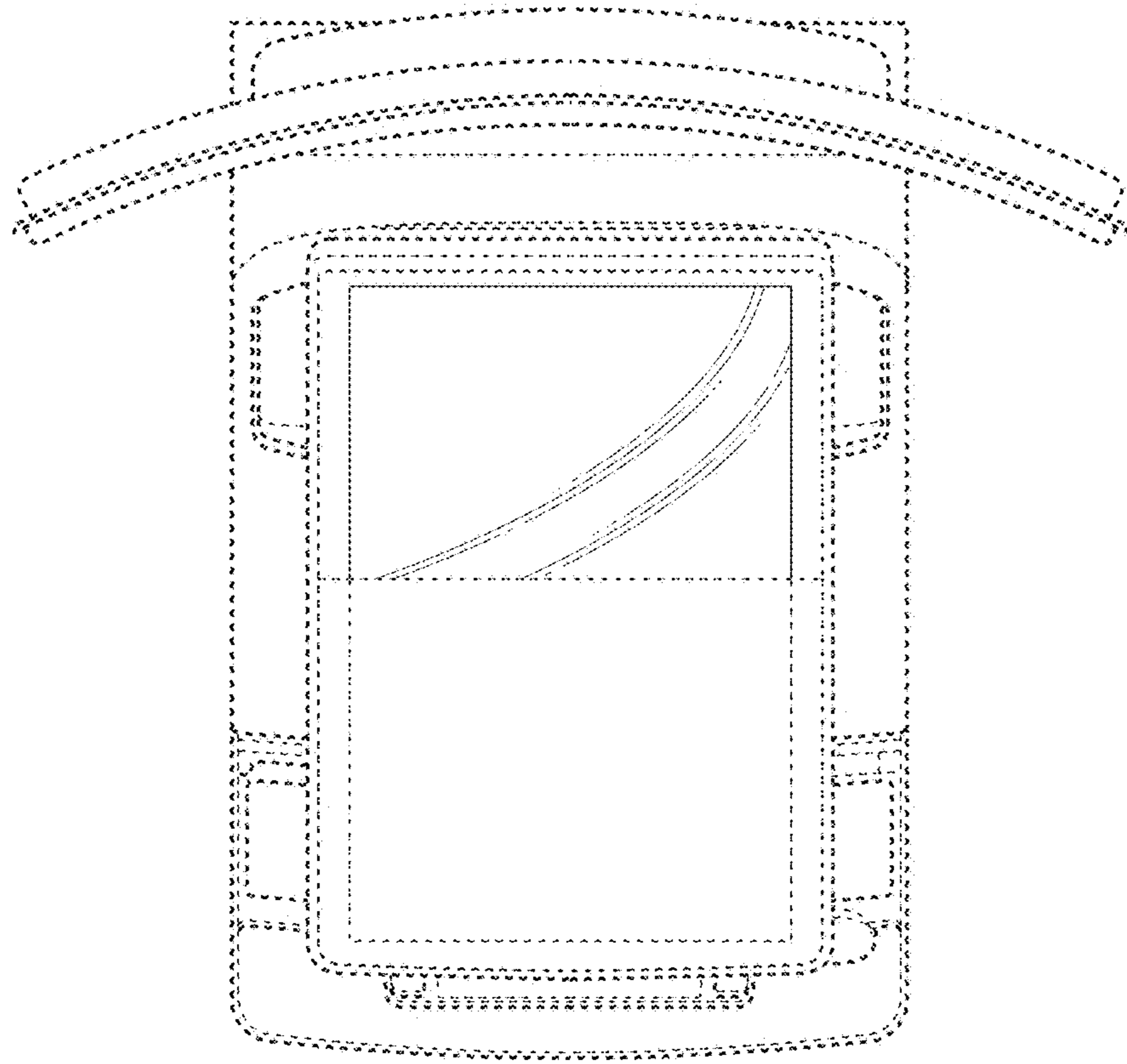


FIG. 5