



US00D843463S

(12) **United States Design Patent** (10) **Patent No.:** **US D843,463 S**  
**Castro et al.** (45) **Date of Patent:** **\*\* Mar. 19, 2019**

(54) **GAMING MACHINE WITH CURVED DISPLAY**

4,372,557 A 2/1983 Del Principe et al.  
4,373,725 A 2/1983 Ritchie  
D275,772 S 10/1984 Akopian et al.  
D280,835 S 10/1985 Berge et al.  
D280,836 S 10/1985 Ludzia et al.  
4,606,545 A 8/1986 Ritchie

(71) Applicant: **BALLY GAMING, INC.**, Las Vegas, NV (US)

(Continued)

(72) Inventors: **Christian L. Castro**, Chicago, IL (US);  
**Robert J. Glenn, II**, Chicago, IL (US);  
**Paul M. Lesley**, Blue Island, IL (US)

FOREIGN PATENT DOCUMENTS

(73) Assignee: **BALLY GAMING, INC.**, Las Vegas, NV (US)

EP 649 671 A1 4/1995  
JP 03210172 B2 9/2001

(Continued)

(\*\*) Term: **15 Years**

OTHER PUBLICATIONS

(21) Appl. No.: **29/577,520**

Product Sheet for "American Eagle," Eagle Co. Ltd., 1997 (2 pages).

(22) Filed: **Sep. 13, 2016**

(Continued)

(51) **LOC (11) Cl.** ..... **21-03**

(52) **U.S. Cl.**

*Primary Examiner* — Ryan Harvey

USPC ..... **D21/369**

(74) *Attorney, Agent, or Firm* — Banner & Witcoff, Ltd.

(58) **Field of Classification Search**

USPC ..... D21/369, 370, 371, 385, 329, 325, 394;  
D14/307, 172, 129, 325, 401, 371, 126,  
D14/439, 432, 450, 128, 375, 248, 374,  
D14/341, 138 G, 127; 463/28, 13, 11,  
463/16, 20, 25, 31, 46, 23, 30, 17, 36, 29,  
463/42, 34, 32, 35, 19, 21, 22; 273/292,  
273/203, 138.2, 143 R, 142 R, 138.1;  
D19/60; D16/226; D8/335, 331, 334;  
D26/141; D7/641

(57) **CLAIM**

CPC ..... G07F 17/32; G07F 17/34; G07F 17/3211;  
G07F 17/3244; G07F 17/3267

The ornamental design for a gaming machine with curved display, as shown and described.

See application file for complete search history.

**DESCRIPTION**

FIG. 1 is a front perspective view of a gaming machine with curved display showing our new design;  
FIG. 2 is a front view thereof;  
FIG. 3 is a left side view thereof;  
FIG. 4 is a right side view thereof;  
FIG. 5 is a top view thereof; and,  
FIG. 6 is a rear view thereof.

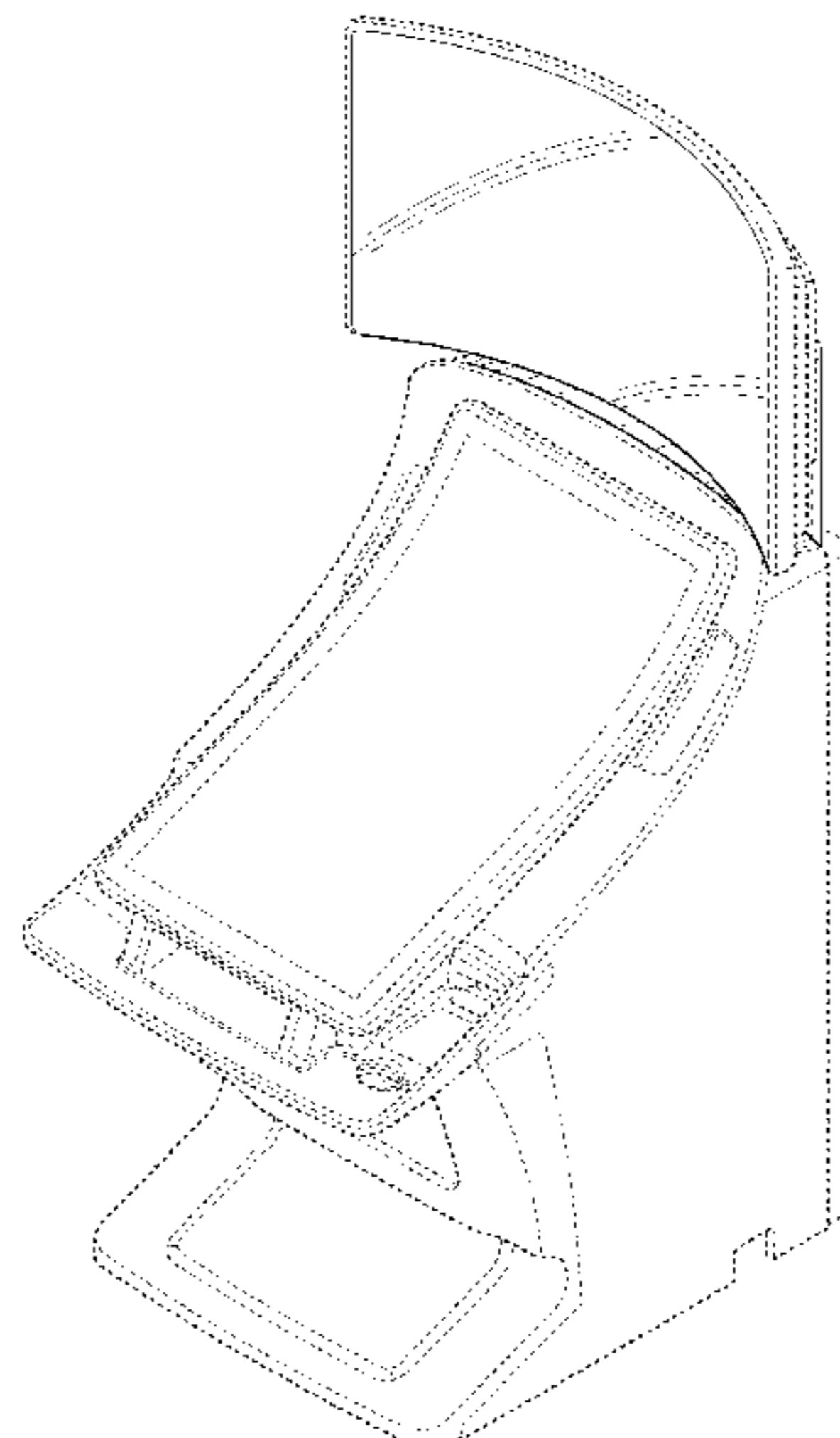
The broken line showing of the remainder of the gaming machine illustrates environmental structure and forms no part of the claimed design. The broken line adjacent the shaded region represents an unclaimed boundary of the design.

(56) **References Cited**

U.S. PATENT DOCUMENTS

2,661,954 A 12/1953 Koci  
D236,720 S 9/1975 Baker  
D238,379 S 1/1976 Miller  
4,046,419 A 9/1977 Schmitt  
D264,485 S 5/1982 Kitchen

**1 Claim, 6 Drawing Sheets**



(56)

## References Cited

## U.S. PATENT DOCUMENTS

4,705,274 A	11/1987	Lubeck	D407,759 S	4/1999	Isetani et al.
4,840,343 A	6/1989	Gasser	D408,366 S	4/1999	Popadiuk
4,861,037 A	8/1989	Oursler	5,890,715 A	4/1999	Gomez et al.
4,960,117 A	10/1990	Moncrief et al.	5,899,454 A	5/1999	Eddy et al.
4,981,298 A	1/1991	Lawlor et al.	5,924,690 A	7/1999	Kopera et al.
D315,110 S	3/1991	Slater	5,934,672 A	8/1999	Sines et al.
5,015,189 A	5/1991	Wenzinger	5,938,195 A	8/1999	Anghelo et al.
D318,660 S	7/1991	Weber	5,944,309 A	8/1999	Popadiuk et al.
5,074,558 A	12/1991	Bleich et al.	D417,145 S	11/1999	McLaughlin
5,083,738 A	1/1992	Infanti	5,984,782 A	11/1999	Inoue
5,091,677 A	2/1992	Bleich et al.	6,000,697 A	12/1999	Popadiuk et al.
5,102,192 A	4/1992	Barile, Sr.	D419,201 S	1/2000	de Haas
5,110,120 A	5/1992	Smolucha	D419,606 S	1/2000	Toriyama
5,114,112 A	5/1992	Infanti	6,036,188 A	3/2000	Gomez et al.
5,120,058 A	6/1992	Trudeau et al.	6,047,962 A	4/2000	Popadiuk
5,123,647 A	6/1992	Lawlor et al.	6,047,963 A	4/2000	Pierce et al.
5,143,055 A	9/1992	Eakin	D424,122 S	5/2000	Dickenson et al.
5,149,094 A	9/1992	Tastad	6,071,190 A	6/2000	Weiss et al.
D333,164 S	2/1993	Kraft et al.	D428,062 S	7/2000	Hayashi
5,193,807 A	3/1993	Schilling et al.	6,089,663 A	7/2000	Hill
5,195,746 A	3/1993	Boyd et al.	6,102,394 A	8/2000	Wurz et al.
D335,150 S	4/1993	Biagi et al.	6,113,097 A	9/2000	Krutsch et al.
5,226,653 A	7/1993	Bil et al.	6,117,010 A	9/2000	Canterbury et al.
5,232,191 A	8/1993	Infanti	6,120,021 A	9/2000	Piotrowski et al.
5,290,034 A	3/1994	Hineman	6,129,353 A	10/2000	DeMar et al.
5,297,793 A	3/1994	DeMar et al.	6,129,355 A	10/2000	Hahn et al.
5,316,303 A	5/1994	Trudeau et al.	6,135,449 A	10/2000	Cornell et al.
5,322,283 A	6/1994	Ritchie et al.	6,135,562 A	10/2000	Infanti
5,326,104 A	7/1994	Pease et al.	6,149,153 A	11/2000	Sheats, Jr.
5,350,174 A	9/1994	Ritchie et al.	6,155,565 A	12/2000	Gomez et al.
D351,869 S	10/1994	Rothschild et al.	6,155,925 A	12/2000	Giobbi et al.
5,351,954 A	10/1994	Oursler et al.	6,158,737 A	12/2000	Cornell et al.
5,357,104 A	10/1994	Bleich	6,159,098 A	12/2000	Slomiany et al.
5,358,241 A	10/1994	Anghelo et al.	6,164,644 A	12/2000	Cornell et al.
5,358,242 A	10/1994	Trudeau et al.	6,173,955 B1	1/2001	Perrie et al.
5,358,243 A	10/1994	Eddy et al.	6,199,861 B1	3/2001	Hume et al.
D352,738 S	11/1994	Anghelo et al.	D439,931 S	4/2001	Yamaguchi
5,383,663 A	1/1995	Anghelo et al.	6,210,279 B1	4/2001	Dickinson
5,405,144 A	4/1995	Ritchie et al.	6,224,482 B1	5/2001	Bennett
5,409,296 A	4/1995	Barile	6,227,614 B1	5/2001	Rubin
5,411,257 A	5/1995	Fulton	6,227,970 B1	5/2001	Shimizu et al.
5,415,402 A	5/1995	Morrison et al.	D443,313 S	6/2001	Brettschneider
5,415,403 A	5/1995	Ritchie et al.	D446,252 S	8/2001	Yamaguchi
5,417,423 A	5/1995	Oursler et al.	6,283,546 B1	9/2001	Hill
5,417,425 A	5/1995	Blumberg et al.	6,290,229 B1	9/2001	Perez
5,437,453 A	8/1995	Hineman	D450,094 S	11/2001	Hedrick et al.
5,465,963 A	11/1995	Patla, Sr.	6,334,612 B1	1/2002	Wurz et al.
5,472,197 A	12/1995	Gwiasda et al.	6,354,660 B1	3/2002	Friedrich
5,494,286 A	2/1996	DeMar et al.	D459,402 S	6/2002	Wurz et al.
5,507,488 A	4/1996	Eddy et al.	6,422,670 B1	7/2002	Hedrick et al.
5,511,783 A	4/1996	Popadiuk et al.	6,422,941 B1	7/2002	Thorner et al.
5,516,103 A	5/1996	Lawlor et al.	6,439,993 B1	8/2002	O'Halloran
5,522,641 A	6/1996	Infanti	D463,504 S	9/2002	Stephan
5,524,887 A	6/1996	Trudeau et al.	D464,377 S	10/2002	Wurz et al.
5,533,726 A	7/1996	Nordman et al.	D465,813 S	11/2002	Randall
5,542,748 A	8/1996	Barile	D466,160 S	11/2002	Hirato et al.
D376,391 S	12/1996	Okumura	D467,977 S	12/2002	Gatto et al.
5,580,052 A	12/1996	Popadiuk et al.	D468,364 S	1/2003	Beadell et al.
5,632,482 A	5/1997	Anghelo	6,530,842 B1	3/2003	Wells et al.
D380,014 S	6/1997	Yang	6,530,872 B2	3/2003	Frehland et al.
5,655,965 A	8/1997	Takemoto et al.	6,572,187 B2	6/2003	Laufer
5,664,777 A	9/1997	Nordman et al.	6,589,114 B2	7/2003	Rose
5,669,818 A	9/1997	Thorner et al.	6,609,972 B2	8/2003	Seelig et al.
5,678,886 A	10/1997	Infanti	6,616,142 B2	9/2003	Adams
5,697,612 A	12/1997	Piotrowski et al.	6,620,047 B1	9/2003	Alcorn et al.
5,704,835 A	1/1998	Dietz, II	D481,078 S	10/2003	Stephan
5,707,059 A	1/1998	Sullivan et al.	6,646,695 B1	11/2003	Gauselmann
5,720,480 A	2/1998	Lawlor et al.	6,652,378 B2	11/2003	Cannon et al.
D395,463 S	6/1998	Scott et al.	D483,075 S	12/2003	Kang
5,762,617 A	6/1998	Infanti	D484,548 S	12/2003	Franco Munoz et al.
5,791,731 A	8/1998	Infanti	D485,583 S	1/2004	Porto
5,806,851 A	9/1998	Gomez et al.	6,715,756 B2	4/2004	Inoue
5,820,460 A	10/1998	Fulton	6,729,618 B1	5/2004	Koenig et al.
5,833,236 A	11/1998	Oursler et al.	D492,363 S	6/2004	Seelig et al.
D405,473 S	2/1999	Tikhonski et al.	D492,364 S	6/2004	Seelig et al.
			D492,365 S	6/2004	Munoz et al.
			D492,676 S	7/2004	Monson et al.
			D493,843 S	8/2004	Jackson, Sr. et al.
			D493,846 S	8/2004	Seelig et al.

(56)

References Cited

U.S. PATENT DOCUMENTS

D495,754 S	9/2004	Wurz et al.	D633,950 S	3/2011	Terpstra et al.
D495,755 S	9/2004	Wurz et al.	D637,238 S	5/2011	O'Keene et al.
D498,267 S	11/2004	Crouch	D637,652 S	5/2011	Tahara et al.
D500,098 S	12/2004	Doi	7,938,728 B2	5/2011	Vetter et al.
6,880,825 B2	4/2005	Seelig et al.	7,955,176 B2	6/2011	Tastad et al.
D505,162 S	5/2005	Bristol et al.	D641,047 S	7/2011	Tahara et al.
D508,268 S	8/2005	Hanchar et al.	7,976,393 B2	7/2011	Haga et al.
D508,269 S	8/2005	Wichinsky	7,985,139 B2	7/2011	Lind et al.
D508,719 S	8/2005	de Haas	8,002,424 B2	8/2011	Hwang et al.
D508,961 S	8/2005	Gatto et al.	8,002,626 B2	8/2011	Englman
D509,254 S	9/2005	Rasmussen et al.	D646,336 S	10/2011	Kelly et al.
D509,255 S	9/2005	Bristol et al.	D646,337 S	10/2011	Kelly et al.
D512,105 S	11/2005	Chitrapongse et al.	D646,691 S	10/2011	Thai et al.
D513,511 S	1/2006	Decombe	D649,605 S	11/2011	Terpstra et al.
D515,144 S	2/2006	Boyd	D651,608 S	1/2012	Allen et al.
6,997,810 B2	2/2006	Cole	8,152,623 B2	4/2012	Fiden
D520,504 S	5/2006	Martin	8,162,740 B2	4/2012	Aoki
7,063,615 B2	6/2006	Alcorn et al.	8,216,061 B2	7/2012	Pacey
7,108,237 B2	9/2006	Gauselmann	8,267,764 B1	9/2012	Aoki et al.
D531,677 S	11/2006	Mallory et al.	D669,076 S	10/2012	Haller
7,184,277 B2	2/2007	Beirne	8,292,451 B2	10/2012	Hwang et al.
D537,885 S	3/2007	Gadda et al.	8,303,420 B2	11/2012	Chudek et al.
D539,854 S	4/2007	Luciano et al.	8,305,743 B2	11/2012	Wu et al.
D540,398 S	4/2007	Gadda et al.	8,323,114 B2	12/2012	Burak et al.
D546,893 S	7/2007	Yamashita	D673,620 S	1/2013	Johnson et al.
7,247,098 B1	7/2007	Bradford et al.	D673,621 S *	1/2013	Johnson ..... D21/369
D548,801 S	8/2007	Groswirt	8,353,755 B2	1/2013	Vann et al.
D549,785 S	8/2007	Luciano, Jr. et al.	8,371,920 B2	2/2013	Gomez et al.
7,267,612 B2	9/2007	Alcorn et al.	8,371,927 B2	2/2013	Englman
D554,710 S	11/2007	Malone et al.	8,371,928 B2	2/2013	Englman et al.
D556,765 S	12/2007	Evans et al.	8,376,832 B2	2/2013	O'Connor et al.
D557,748 S	12/2007	Jumper	D678,955 S	3/2013	Lesley et al.
D559,328 S	1/2008	Rasmussen et al.	D678,956 S	3/2013	Lesley et al.
D559,917 S	1/2008	Cole	D678,957 S	3/2013	Cesaroni et al.
D560,724 S	1/2008	Johnson	D678,958 S	3/2013	Cesaroni et al.
D560,725 S	1/2008	Johnson	D681,130 S	4/2013	Lesley et al.
D563,326 S	3/2008	Patel et al.	8,430,756 B2	4/2013	McComb et al.
D563,481 S	3/2008	Looks et al.	D682,948 S	5/2013	Cesaroni et al.
D564,600 S	3/2008	Greenberg et al.	D685,033 S	6/2013	Wudtke
D564,601 S	3/2008	Strahinic et al.	D685,435 S *	7/2013	Hohman ..... D21/370
D566,197 S	4/2008	Greenberg et al.	D691,665 S	10/2013	Chudek
D569,863 S	5/2008	Feldstein et al.	D691,666 S	10/2013	Lesley et al.
D572,314 S	7/2008	Vallejo et al.	D693,343 S	11/2013	Haller
D578,168 S	10/2008	Looks et al.	D697,558 S	1/2014	Myers et al.
D581,983 S	12/2008	Bergstrom	D704,273 S	5/2014	Chudek
RE40,625 E	1/2009	Wurz et al.	D704,275 S	5/2014	Lesley et al.
7,479,066 B2	1/2009	Emori	D706,741 S	6/2014	Myers
D587,272 S	2/2009	Morrow et al.	D707,646 S *	6/2014	Kim ..... D14/138 G
D587,319 S	2/2009	Moises Deiab	D712,975 S	9/2014	Lesley et al.
RE40,671 E	3/2009	Wurz et al.	D714,270 S *	9/2014	Lee ..... D14/248
7,503,849 B2	3/2009	Hornik et al.	D714,271 S *	9/2014	Lee ..... D14/248
D590,025 S	4/2009	Fiore	D714,875 S	10/2014	Wudtke et al.
D594,068 S	6/2009	Hsu	D715,364 S	10/2014	Wudtke et al.
D596,678 S	7/2009	Myers	D719,116 S *	12/2014	Bang ..... D14/126
D599,365 S	9/2009	Brown et al.	D719,117 S *	12/2014	Huh ..... D14/126
D599,858 S	9/2009	Lesley et al.	D719,615 S *	12/2014	Inoue ..... D21/370
D599,859 S	9/2009	Lesley	D719,616 S *	12/2014	Inoue ..... D21/370
D599,860 S	9/2009	Lesley et al.	D720,316 S *	12/2014	Huh ..... D14/126
D601,638 S	10/2009	Palmisano	D721,666 S *	1/2015	Son ..... D14/126
D604,368 S	11/2009	Lesley et al.	D724,042 S *	3/2015	Chang ..... D14/126
7,628,693 B2	12/2009	Thomas	D725,061 S *	3/2015	Kim ..... D14/126
7,666,085 B2	2/2010	Vorias et al.	D725,062 S *	3/2015	Cho ..... D14/126
7,686,689 B2	3/2010	Thomas	D725,616 S *	3/2015	Oh ..... D14/126
D613,802 S	4/2010	Meyers et al.	D725,618 S *	3/2015	Shin ..... D14/126
D615,598 S *	5/2010	McComb ..... D21/370	8,982,545 B2	3/2015	Kim et al.
7,713,119 B2	5/2010	Pacey et al.	D726,137 S *	4/2015	Lee ..... D14/126
D618,682 S *	6/2010	Haase ..... D14/371	D727,431 S *	4/2015	Themann ..... D21/370
D622,780 S	8/2010	Lesley et al.	D728,502 S *	5/2015	Kim ..... D14/126
D622,781 S	8/2010	Lesley et al.	D729,186 S *	5/2015	Kim ..... D14/126
D622,782 S	8/2010	Chudek et al.	D730,858 S *	6/2015	Yoon ..... D14/126
D626,182 S	10/2010	Cole et al.	D730,993 S	6/2015	Castro et al.
D626,183 S	10/2010	Cole et al.	D732,520 S *	6/2015	Themann ..... D14/307
7,811,167 B2	10/2010	Giobbi et al.	D735,687 S *	8/2015	Bang ..... D14/126
D631,060 S	1/2011	Flik et al.	D736,727 S *	8/2015	Bang ..... D14/126
D631,100 S	1/2011	Palmisano	D736,728 S *	8/2015	Kim ..... D14/126
			D740,888 S	10/2015	DePalma et al.
			D742,974 S	11/2015	Lesley et al.
			D742,975 S	11/2015	Myers et al.
			D745,519 S *	12/2015	Cho ..... D14/375

(56)

References Cited

U.S. PATENT DOCUMENTS

D751,520	S	*	3/2016	Seo	.....	D14/126
D752,535	S	*	3/2016	Kim	.....	D14/126
D760,846	S		7/2016	Castro et al.		
D762,601	S	*	8/2016	Seo	.....	D14/126
D762,613	S	*	8/2016	Garneau	.....	D14/172
RE46,169	E		10/2016	Kelly et al.		
D768,629	S	*	10/2016	Bae	.....	D14/374
D773,415	S	*	12/2016	Behar	.....	D14/126
D774,011	S	*	12/2016	Behar	.....	D14/126
D777,127	S	*	1/2017	Kim	.....	D14/126
D812,146	S	*	3/2018	Castro	.....	D21/369
D812,149	S	*	3/2018	Castro	.....	D21/369
2002/0041069	A1		4/2002	Steelman		
2003/0122973	A1		7/2003	Huang		
2004/0018877	A1		1/2004	Tastad et al.		
2004/0029631	A1		2/2004	Duhamel		
2004/0053662	A1		3/2004	Pacey		
2005/0014547	A1		1/2005	Gomez et al.		
2006/0009284	A1		1/2006	Schwartz et al.		
2006/0034042	A1		2/2006	Hisano et al.		
2006/0079316	A1		4/2006	Flemming et al.		
2006/0131810	A1		6/2006	Nicely		
2006/0183553	A1		8/2006	Kiriyama et al.		
2006/0199638	A1		9/2006	Walker et al.		
2006/0281559	A1		12/2006	Luciano		
2006/0287111	A1		12/2006	Mitchell et al.		
2008/0039213	A1		2/2008	Cornell et al.		
2008/0051202	A1		2/2008	Lube		
2009/0174996	A1		7/2009	Park		
2010/0053231	A1		3/2010	Park		
2011/0136573	A1*		6/2011	McComb	.....	A63F 13/08 463/31
2012/0122569	A1		5/2012	Kowolik et al.		
2012/0168058	A1		7/2012	Kim et al.		
2013/0180653	A1		7/2013	Kim et al.		
2013/0278875	A1		10/2013	Kim et al.		
2014/0055696	A1		2/2014	Lee et al.		
2014/0092356	A1		4/2014	Ahn et al.		
2014/0176856	A1		6/2014	Lee et al.		
2014/0226111	A1		8/2014	Kim		
2014/0226112	A1		8/2014	Kim		
2014/0354938	A1		12/2014	Kim		
2014/0368782	A1		12/2014	Kim et al.		
2014/0375936	A1		12/2014	Park et al.		
2015/0000823	A1		1/2015	Kim et al.		
2015/0036073	A1		2/2015	Im et al.		
2015/0116621	A1		4/2015	Park et al.		
2015/0116625	A1		4/2015	Hwang et al.		
2015/0301390	A1		10/2015	Kim		
2016/0364946	A1*		12/2016	Castro	.....	G07F 17/3216
2017/0039803	A1*		2/2017	Lesley	.....	G07F 17/3216

FOREIGN PATENT DOCUMENTS

KR	10-1113734	B1	2/2012
KR	10-2012-0051630	A	5/2012
KR	10-1268471	B1	6/2013
KR	10-1278904	B1	6/2013
KR	10-1336677	B1	12/2013
KR	10-1381609	B1	4/2014
KR	10-1381610	B1	4/2014
KR	10-2015-0013987	A	2/2015
KR	10-1539221	B1	7/2015
TW	200949775	A	12/2009

OTHER PUBLICATIONS

Product Sheet for “Monopoly Chairman of the Board™,” WMS Gaming Inc., 1999 (2 pages).  
 Product Sheet for “American Eagle,” Eagle Co., Ltd., 2000 (2 pages).  
 Product Sheet for “Survivor,” WMS Gaming Inc., 2001 (4 pages).  
 Product Sheet for “ProSLOT® 6000,” Bally Gaming Systems, 2002 (4 pages).

Product Sheet for “EVO™ Hybrid,” Bally Gaming Systems, 2002 (4 pages).  
 Product Sheet for “3RV™,” WMS Gaming Inc., 2002 or earlier (2 pages).  
 Product Sheet for “Miss America,” AC Coin & Slot, 2002 or earlier (2 pages).  
 Product Catalog for Ainsworth Game Technology Ltd, date estimated as early as 2007 (6 pages).  
 Product Sheet for “Ultrapin™,” Global VR, 2007 (1 pages).  
 Brochure for “Virtual Pinball,” Tab-Austria, 2007 (8 pages).  
 Catalog for Atronic®-Spielo®, date estimated as early as 2008 (2 pages).  
 Product Catalog for “Alpha Elite™,” Bally Technologies, date estimated as early as 2008-2009 (2 pages).  
 Cabinet Brochure for Hydako Co., date estimated as early as 2009 (1 page).  
 Product Catalog for Bally Technologies, date estimated as early as 2010 (2 pages).  
 Fall & Winter Catalog for Aristocrat, date estimated as early as 2010-2011 (7 pages).  
 Catalog for “Your Partner Innovation,” Bally Technologies, date estimated as early as 2011 (4 pages).  
 Co-pending Design U.S. Appl. No. 29/559,629, filed Mar. 30, 2016.  
 Co-pending Design U.S. Appl. No. 29/559,613, filed Mar. 30, 2016.  
 Co-pending Design U.S. Appl. No. 29/559,593, filed Mar. 30, 2016.  
 Series of Screenshots from video: Wood, Molly (Mar. 26, 2015). Major, Clare, Carr, Vanessa, eds. <https://www.nytimes.com/video/technology/personaltech/100000002788325/curved-screens-worth-it.html>.  
 Immersaview, “Why choose a Curved Screen for your Multi-Projector Setup”, Jan. 28, 2016; retrieved from <<https://www.immersaview.com/resources/why-curved/>> (7 pages).  
 Denison; “Why can’t you buy a flat OLED yet? The curve isn’t just about viewing experience”; Digital Trends; Aug. 18, 2013; retrieved from <<http://www.digitaltrends.com/home-theater-why-did-the-us-get-stuck-with-curved-oled/#!zXypT>> (8 pages).  
 Wilcox, “LG, Samsung, and Sony throw TV buyers a curve”; Consumer Reports; Sep. 10, 2013; retrieved from <<http://www.consumerreports.org/cro/news/2013/09/curved-tv-screens/index.htm#>> (1 page).  
 Snider; “Sony tosses latest pitch for curved TV displays”; USA Today; Oct. 15, 2013; retrieved from <<http://www.usatoday.com/story/tech/personal/2013/10/15/new-curved-sony-led-hdtv/2982051/>> (2 pages).  
 Morrison; “Curved OLED HDTV screens are a bad idea (for now)”; CNET; Jun. 18, 2013; retrieved from <<https://www.cnet.com/news/curved-oled-hdtv-screens-are-a-bad-idea-for-now/>> (9 pages).  
 Cochran; “Why Samsung’s curved-screen TV might be a ‘game changer’”; CBS News; Aug. 14, 2013; retrieved from <<http://www.cbsnews.com/news/why-samsungs-curved-screen-tv-might-be-a-game-changer/>> (3 pages).  
 Kelly; “TV trends at CES: 4K, curves and smart TVs”; CNN; Jan. 8, 2014; retrieved from <<http://www.cnn.com/2014/01/07/tech/gaming-gadgets/ces-television-trends/>> (5 pages).  
 Manjoo; “TV Makers Are Out of Ideas”; Wall Street Journal; Jan. 8, 2014; retrieved from <<https://www.wsj.com/news/articles/SB10001424052702303393804579308801012230792>> (4 pages).  
 Daniel; “Curved Monitors—Overview”; Curved Monitor Test; Aug. 28, 2015; retrieved from <<http://www.curved-monitor-test.de/>> (5 pages).  
 Matthias; “Curved TV—Overview”; Curved TV Test; Apr. 20, 2016; retrieved from <<https://technikblog.net/fernseher-test/curved-tv/>> (16 pages, in German).  
 Ljt216; “Flat Screen vs Curved CRTs for Retro Games”; Reddit; Jul. 29, 2015; retrieved from <[https://www.reddit.com/r/gamecollecting/comments/3f25r0/flat\\_screen\\_vs\\_curved\\_crts\\_for\\_retro\\_games/](https://www.reddit.com/r/gamecollecting/comments/3f25r0/flat_screen_vs_curved_crts_for_retro_games/)> (4 pages).  
 Photonics Industry and Technology Development Association (PIDA); “E-Paper Shows Potential at Creating a Paperless Haven”; OptoLink Magazine, 3 Quarter 2008; pp. 8-11 (4 pages).  
 AU Optronics Corp.; News Center: “AUO Announces Multiple Upcoming Innovations”; Oct. 27, 2008; retrieved from <<http://www.auo.com/?sn=107&lang=en-US&c=10&n=363>>; (2 pages).

(56)

**References Cited**

## OTHER PUBLICATIONS

DigiTimes, Inc.; "FPD China 2009: AUO 8.9-inch convex display panel"; Mar. 12, 2009; retrieved from <<http://www.digitimes.com/photogallery/showphoto.asp?ID=3376>>; (3 pages).

Gizmodo.com; "AUO Curved Displays, Ultra Thin LCDs on the Way"; May 20, 2008; retrieved from <<http://gizmodo.com/392248/auo-curved-displays-ultra-thin-lcds-on-the-way>>; (2 pages).

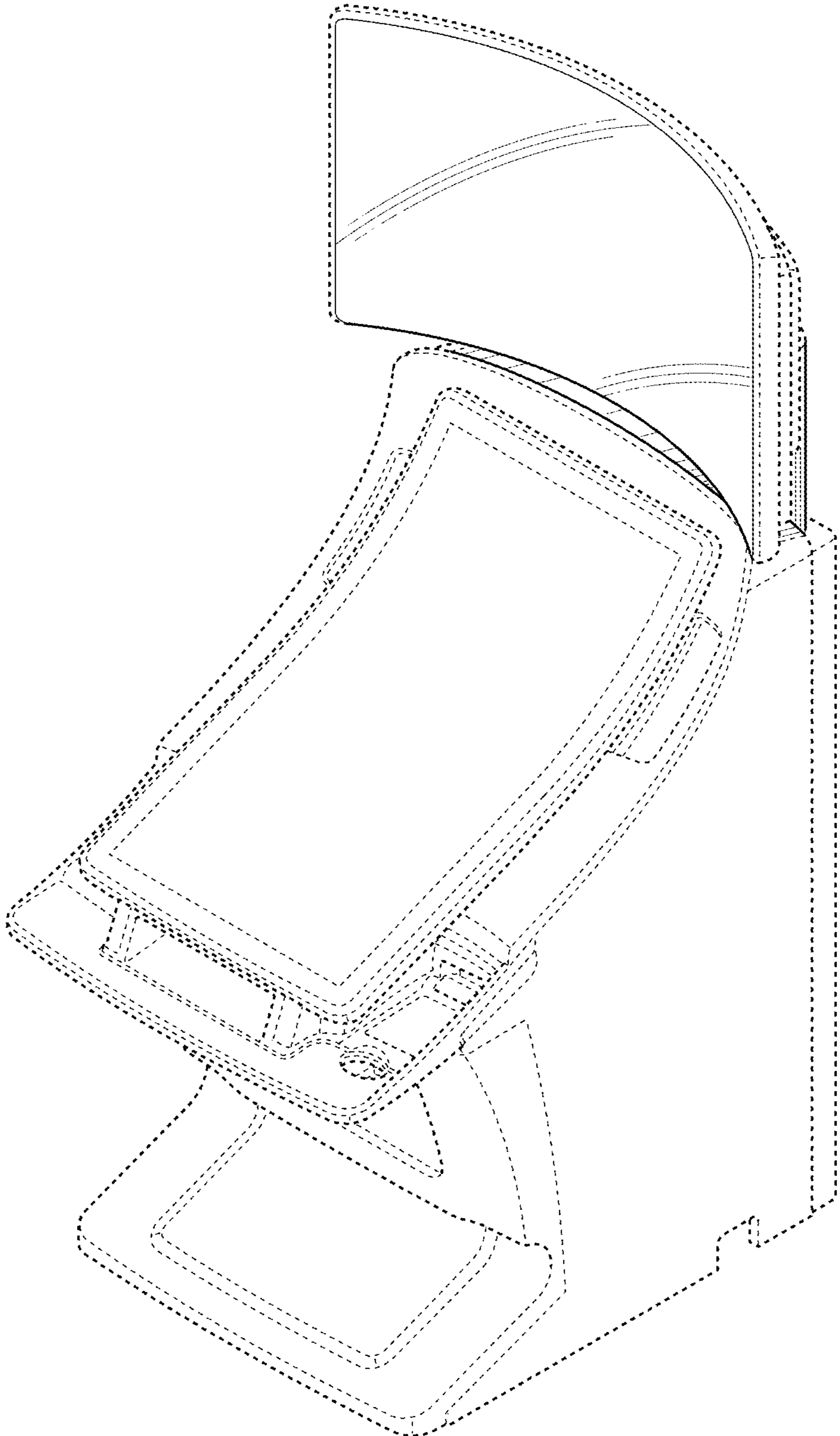
PC World; "AU Optronics Shows Off Curved LCD Screen"; May 20, 2008; retrieved from <<http://www.pcworld.com/article/146083/article.amp.html>> (3 pages).

DailyTech; "AUO Shows Off Curved Display and Touch Screen", May 23, 2008; retrieved from <<http://www.dailytech.com/AUO+Shows+Off+Curved+Display+and+Touch+Screen+Tech/article11845.htm>>; (2 pages).

OLED-Info; "LG Phillips LCD Develops 14.3-Inch Color E-Paper Display"; Jan. 4, 2008; retrieved from <[http://www.oled-info.com/lg/lg\\_phillips\\_lcd\\_develops\\_14\\_3\\_inch\\_color\\_e\\_paper\\_display](http://www.oled-info.com/lg/lg_phillips_lcd_develops_14_3_inch_color_e_paper_display)>; (2 pages).

NewLaunches.com; "LG Phillips LCD develops world's highest resolution 14.3 inch flexible color E-paper display!"; Jan. 3, 2008; retrieved from <[http://newlaunches.com/archives/lgphillips\\_lcd\\_develops\\_worlds\\_highest\\_resolution\\_143inch\\_flexible\\_color\\_epaper\\_display.php](http://newlaunches.com/archives/lgphillips_lcd_develops_worlds_highest_resolution_143inch_flexible_color_epaper_display.php)>; (4 pages).

\* cited by examiner



**FIG. 1**

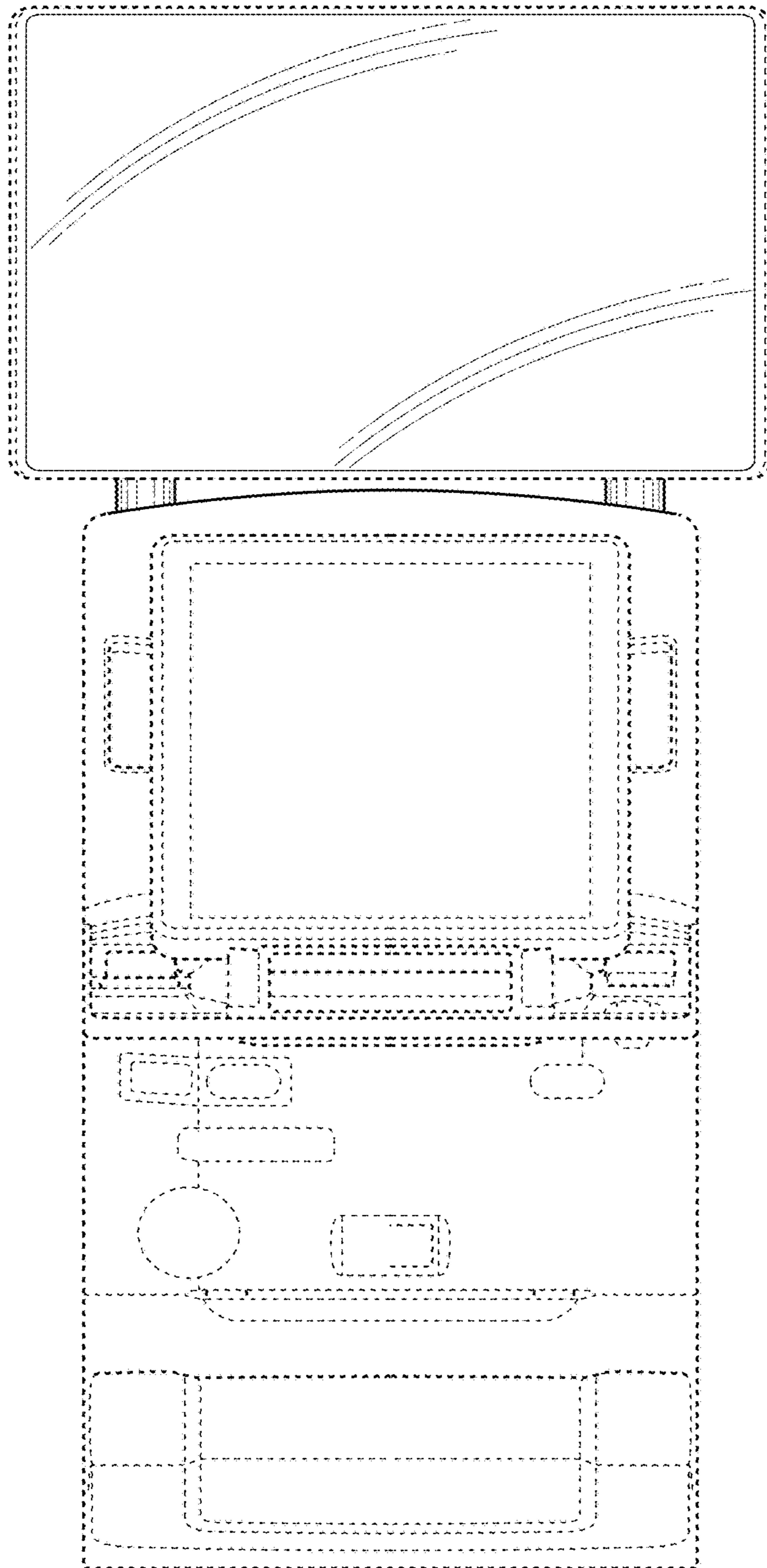


FIG. 2

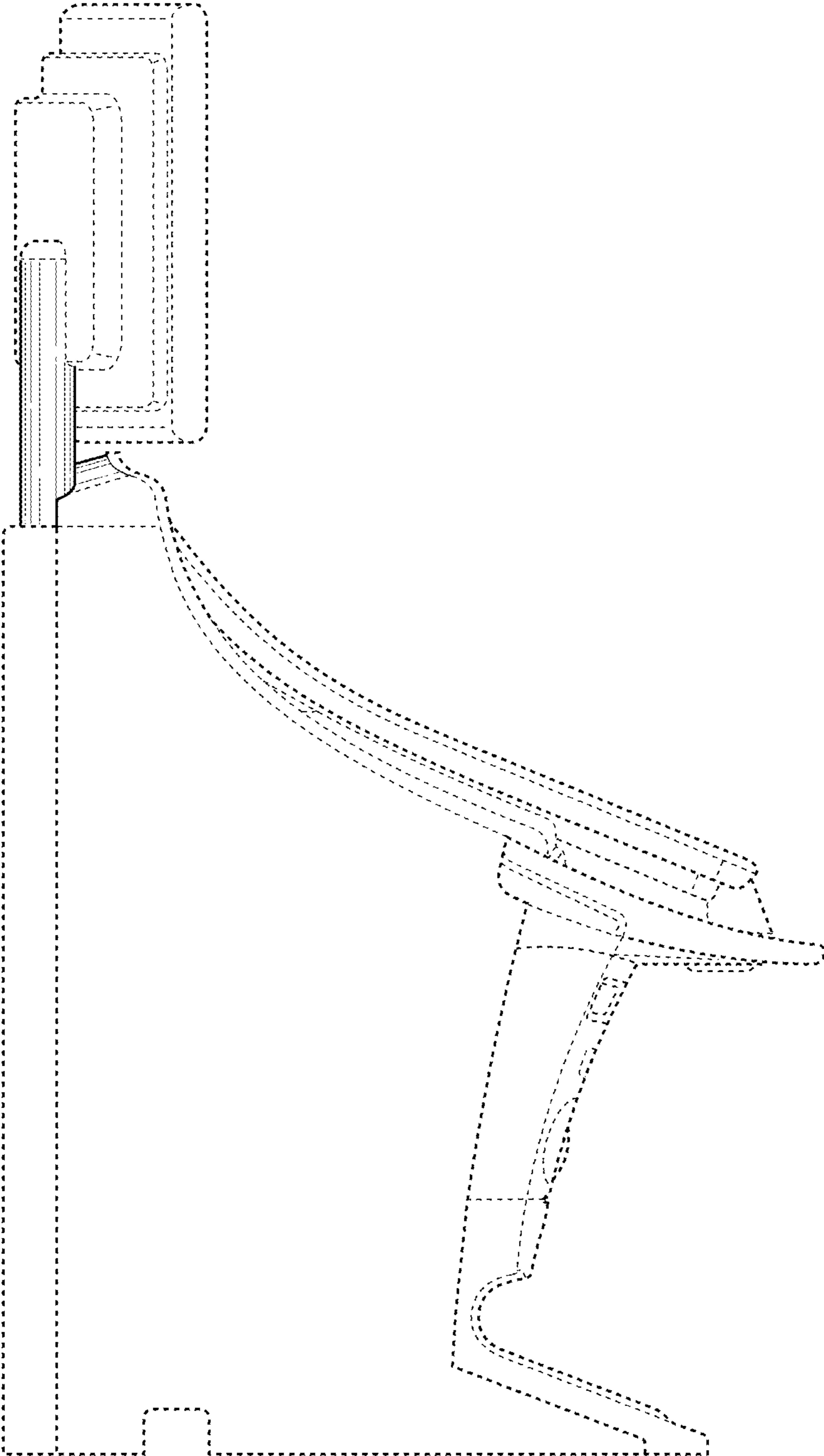


FIG. 3



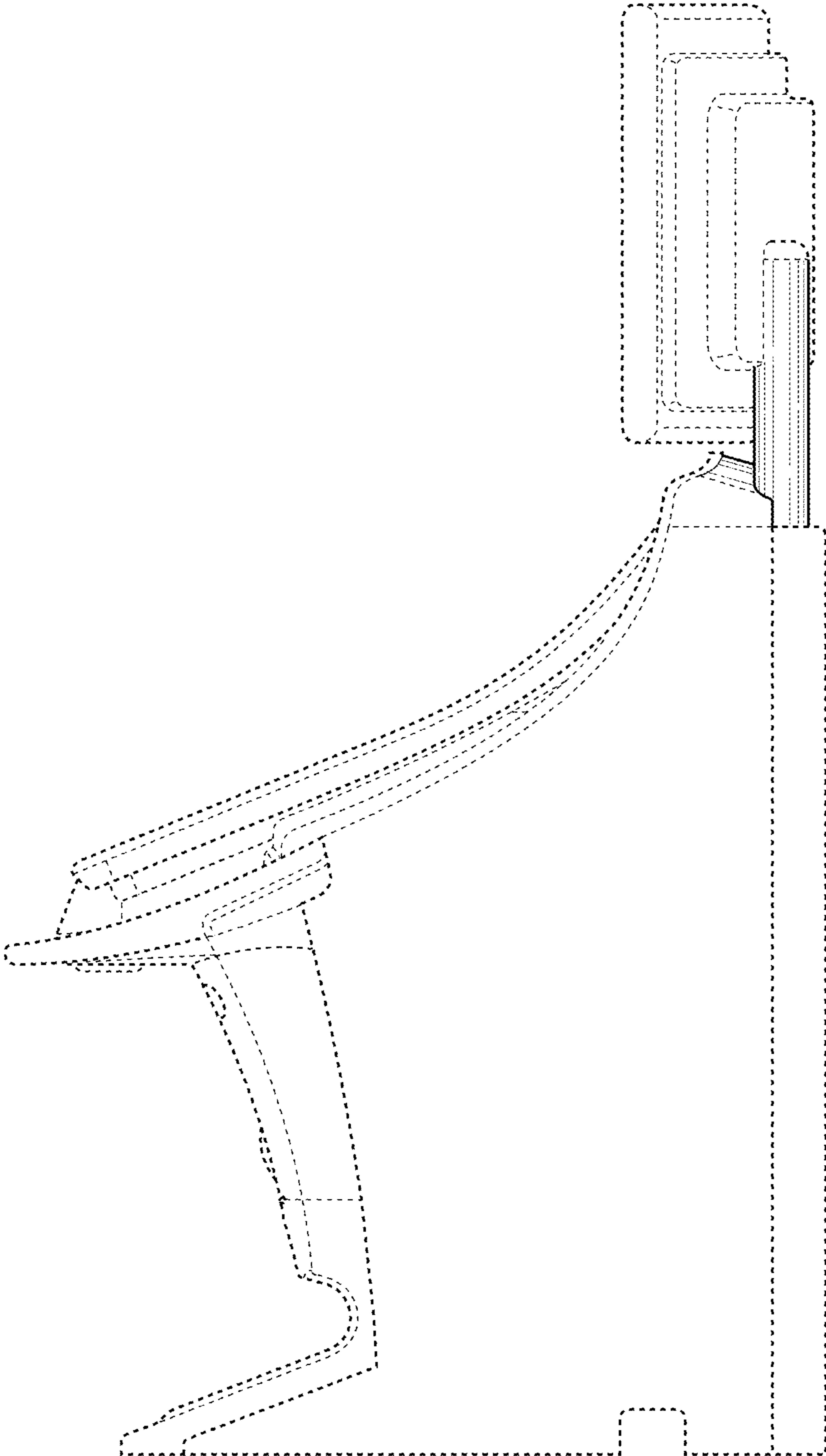


FIG. 4

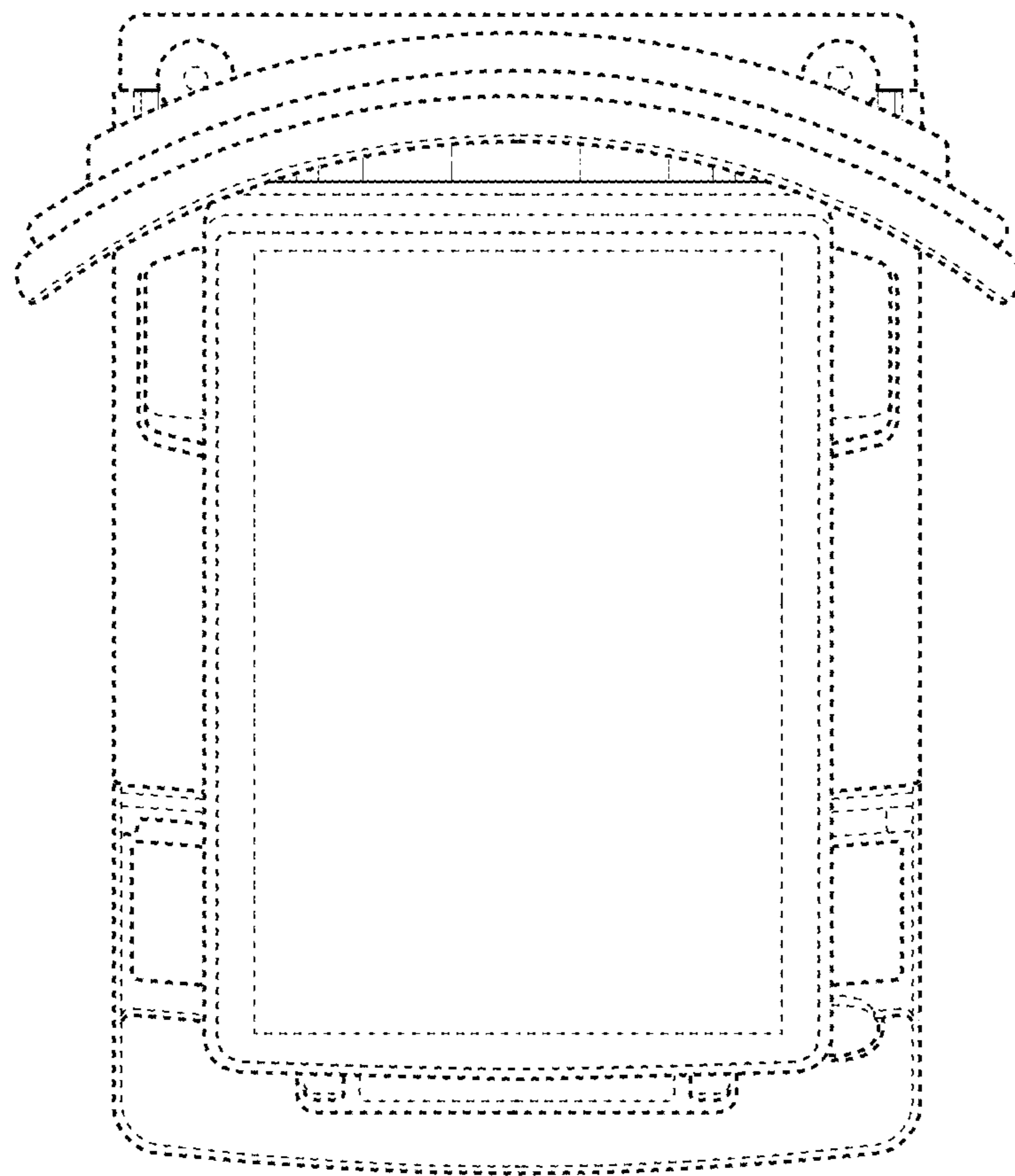


FIG. 5

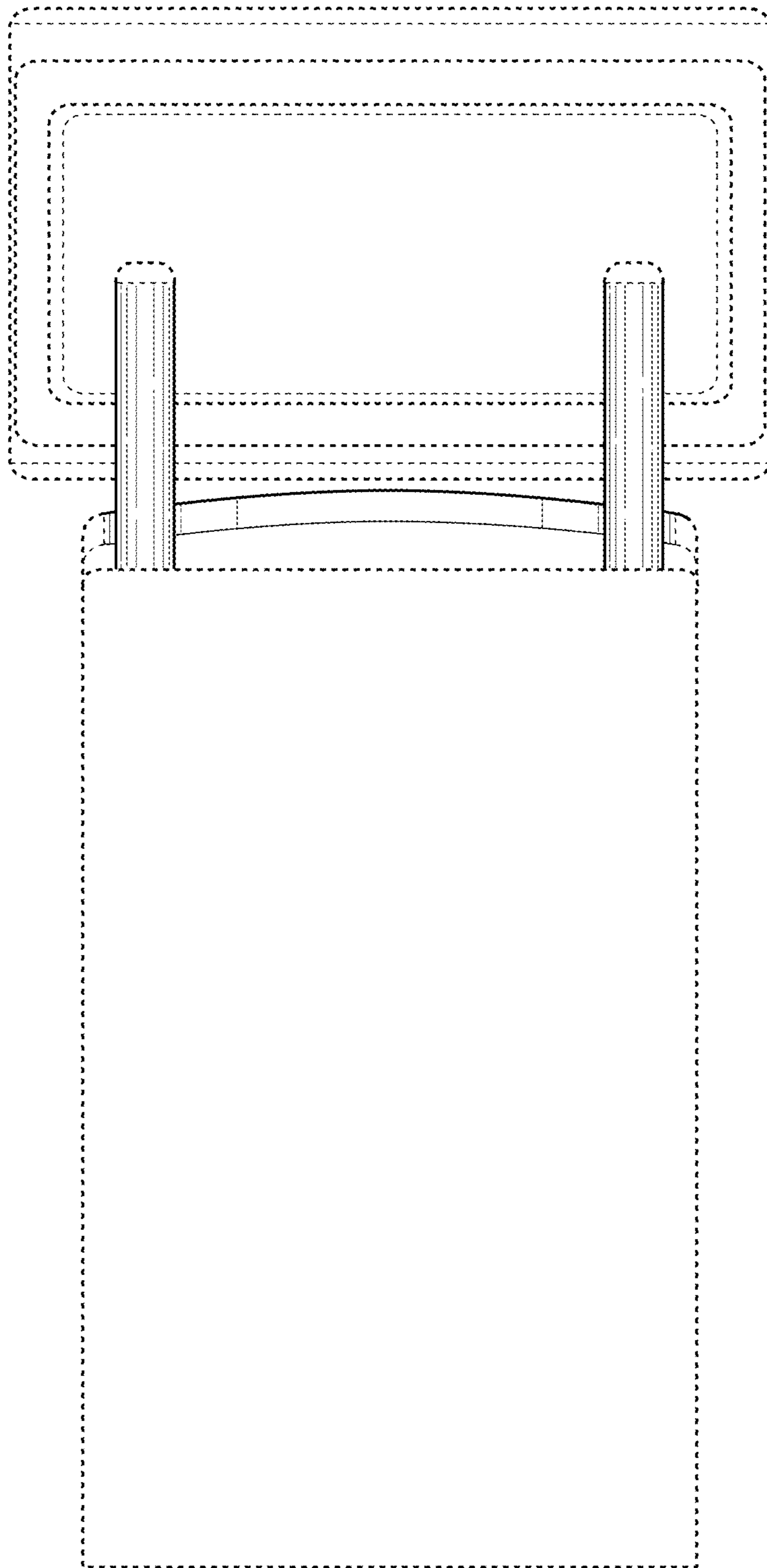


FIG. 6