

US00D843456S

(12) **United States Design Patent** (10) **Patent No.:** **US D843,456 S**
Kott et al. (45) **Date of Patent:** **** Mar. 19, 2019**

(54) **DISPLAY HOLDER STAND**
(71) Applicant: **Ilgen Products Ltd.**, Richmond (CA)
(72) Inventors: **Marla Charisse Kott**, Vancouver (CA);
Kristin Sarah MacMillan, West
Vancouver (CA); **Alexander Jeffrey**
Feldman, Vancouver (CA); **Robbie**
Gordon Roberts, Port Moody (CA)
(73) Assignee: **Ilgen Products Ltd.**, Richmond (CA)
(**) Term: **15 Years**
(21) Appl. No.: **29/572,409**
(22) Filed: **Jul. 27, 2016**

Related U.S. Application Data

(62) Division of application No. 29/527,824, filed on May 21, 2015, now Pat. No. Des. 778,367.

Foreign Application Priority Data

Nov. 21, 2014 (EM) 002582643
(51) **LOC (11) Cl.** **20-03**
(52) **U.S. Cl.**
USPC **D20/43**
(58) **Field of Classification Search**
USPC D20/10, 15, 43, 44, 99; D6/300, 308,
D6/314, 703.1
CPC ... G09F 1/10; G09F 1/103; G09F 1/12; G09F
1/14; G09F 2001/085; G09F 2001/106;
G09F 3/18; G09F 3/185; G09F 3/20;
G09F 3/201; G09F 3/202; G09F 3/204;
G09F 3/207; G09F 15/0012; G09F
15/0018; G09F 15/0025; A47G 1/06;
A47G 1/0616

See application file for complete search history.

(56) **References Cited**
U.S. PATENT DOCUMENTS
D14,417 S 11/1883 De Planque
1,400,564 A 12/1921 Metzger
1,570,368 A 1/1926 Zeh
D115,418 S 6/1939 Mueller
D152,399 S 1/1949 Dwinell
D152,497 S 1/1949 Price et al.
2,564,110 A 8/1951 Howenstine et al.
D213,625 S 3/1969 Jensen et al.
D234,166 S 1/1975 Silverman
D234,274 S 2/1975 Seyler
D280,469 S 9/1985 Heyman et al.
D281,705 S 12/1985 Rosenberg
D303,402 S 9/1989 Brown
(Continued)

FOREIGN PATENT DOCUMENTS

CA 91099 12/2000
CA 108005 9/2005
(Continued)

OTHER PUBLICATIONS

Imprint Plus, "solutions 2007 product sampler", 2007.

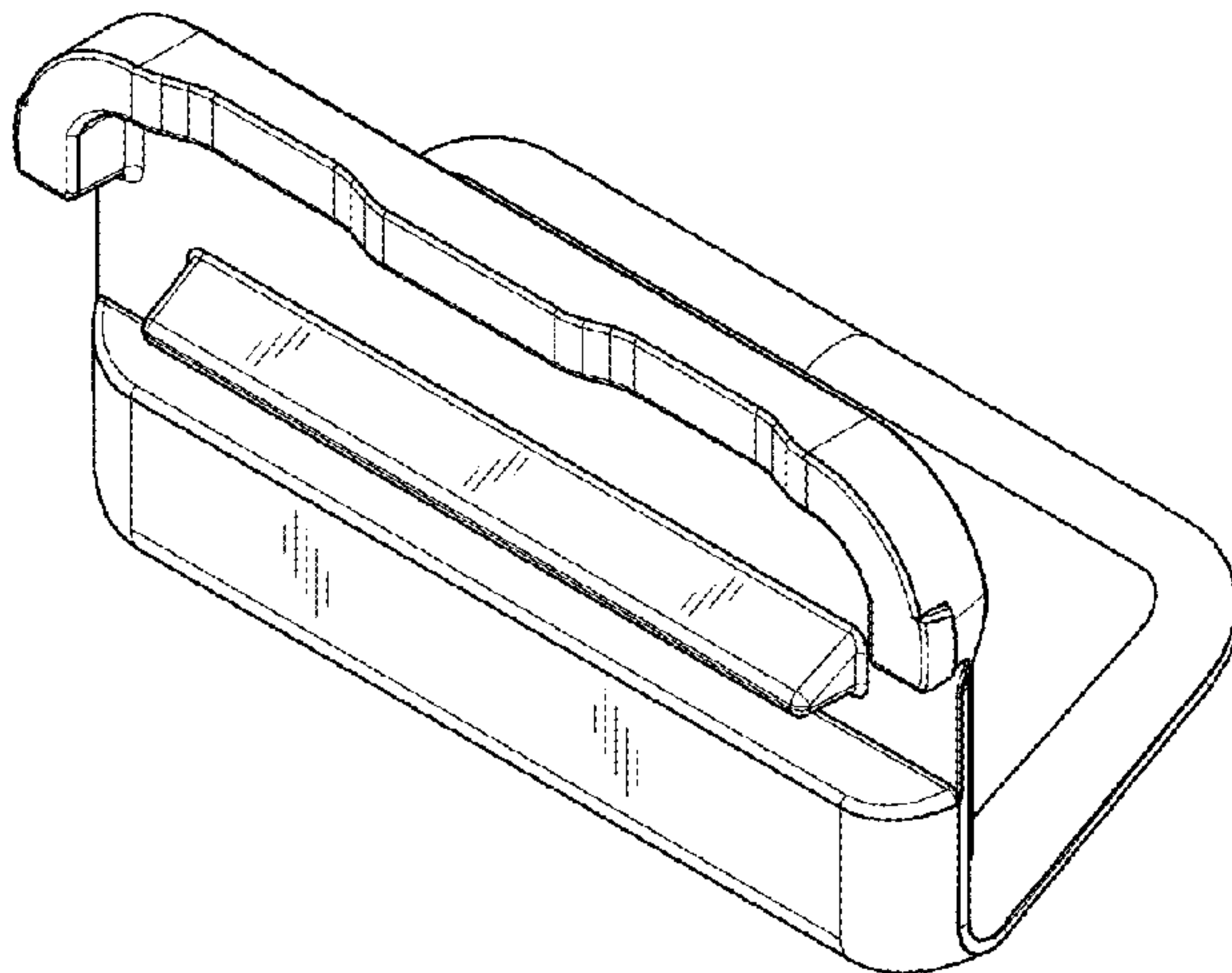
Primary Examiner — Mary Ann Calabrese
(74) *Attorney, Agent, or Firm* — McDonald Hopkins LLC

(57) **CLAIM**
The ornamental design for a display holder stand, as shown and described.

DESCRIPTION

FIG. 1 is a front perspective view of the display holder stand; FIG. 2 is a front view thereof; FIG. 3 is a rear view thereof; FIG. 4 is a top view thereof; FIG. 5 is a bottom view thereof; FIG. 6 is a first side view thereof; and, FIG. 7 is a second side view thereof.

1 Claim, 3 Drawing Sheets



(56)

References Cited

U.S. PATENT DOCUMENTS

D320,235 S 9/1991 Hofman
 D351,694 S 10/1994 Evans
 5,369,899 A 12/1994 Reeves
 D382,598 S 8/1997 Schroepfel
 D382,735 S 8/1997 Zapf
 D386,209 S 11/1997 Firestone et al.
 5,714,215 A 2/1998 Sheffield et al.
 D434,452 S 11/2000 Steiner et al.
 D443,655 S 6/2001 Chaikel et al.
 D448,579 S 10/2001 Prade
 6,446,372 B1 9/2002 Reeves
 D480,760 S 10/2003 Wieth et al.
 D483,653 S 12/2003 Immerman
 6,726,252 B1 4/2004 Chaikel et al.
 6,742,294 B1 6/2004 Fossum
 D493,640 S 8/2004 Nemec et al.
 D500,091 S 12/2004 Sjoberg
 D546,892 S 7/2007 Bruegmann
 D548,796 S 8/2007 Sachnoff
 D574,819 S 8/2008 Andre et al.
 7,421,810 B2 9/2008 Schymura
 D593,614 S 6/2009 Didulo et al.
 D595,362 S 6/2009 Maier-Hunke
 D619,361 S 7/2010 Andre et al.
 D622,716 S 8/2010 Andre et al.
 D643,467 S 8/2011 Yi et al.
 D644,693 S 9/2011 Braat et al.
 D649,195 S 11/2011 Yi et al.
 D649,594 S 11/2011 Yi et al.

D667,412 S 9/2012 Wang et al.
 D716,380 S 10/2014 Burkhart et al.
 9,061,934 B2 6/2015 Bisson et al.
 D740,367 S 10/2015 White
 D744,040 S 11/2015 Schloss
 9,189,983 B2 11/2015 English
 9,196,177 B2 11/2015 English
 9,373,273 B2 * 6/2016 Engelby G09F 3/208
 D778,367 S * 2/2017 Kott D20/43
 D796,579 S * 9/2017 Souhala D20/43
 2006/0086025 A1 4/2006 Benedict et al.
 2008/0226846 A1 9/2008 Hill
 2009/0033648 A1 2/2009 Podd et al.
 2009/0101025 A1 4/2009 Penson
 2010/0223826 A1 9/2010 Brown
 2011/0159333 A1 6/2011 Xie et al.
 2013/0337224 A1 12/2013 Odani et al.
 2014/0065366 A1 3/2014 Joubaud
 2014/0158846 A1 * 6/2014 Nicolis G09F 3/208
 2015/0085220 A1 3/2015 Chen et al.
 2015/0371566 A1 12/2015 Kott et al.

FOREIGN PATENT DOCUMENTS

CA 117158 12/2007
 CA 133171 5/2011
 EP 000672845-0001 5/2007
 EP 000672845-0002 5/2007
 EP 001641663-0001 12/2009
 EP 001641663-0002 12/2009

* cited by examiner

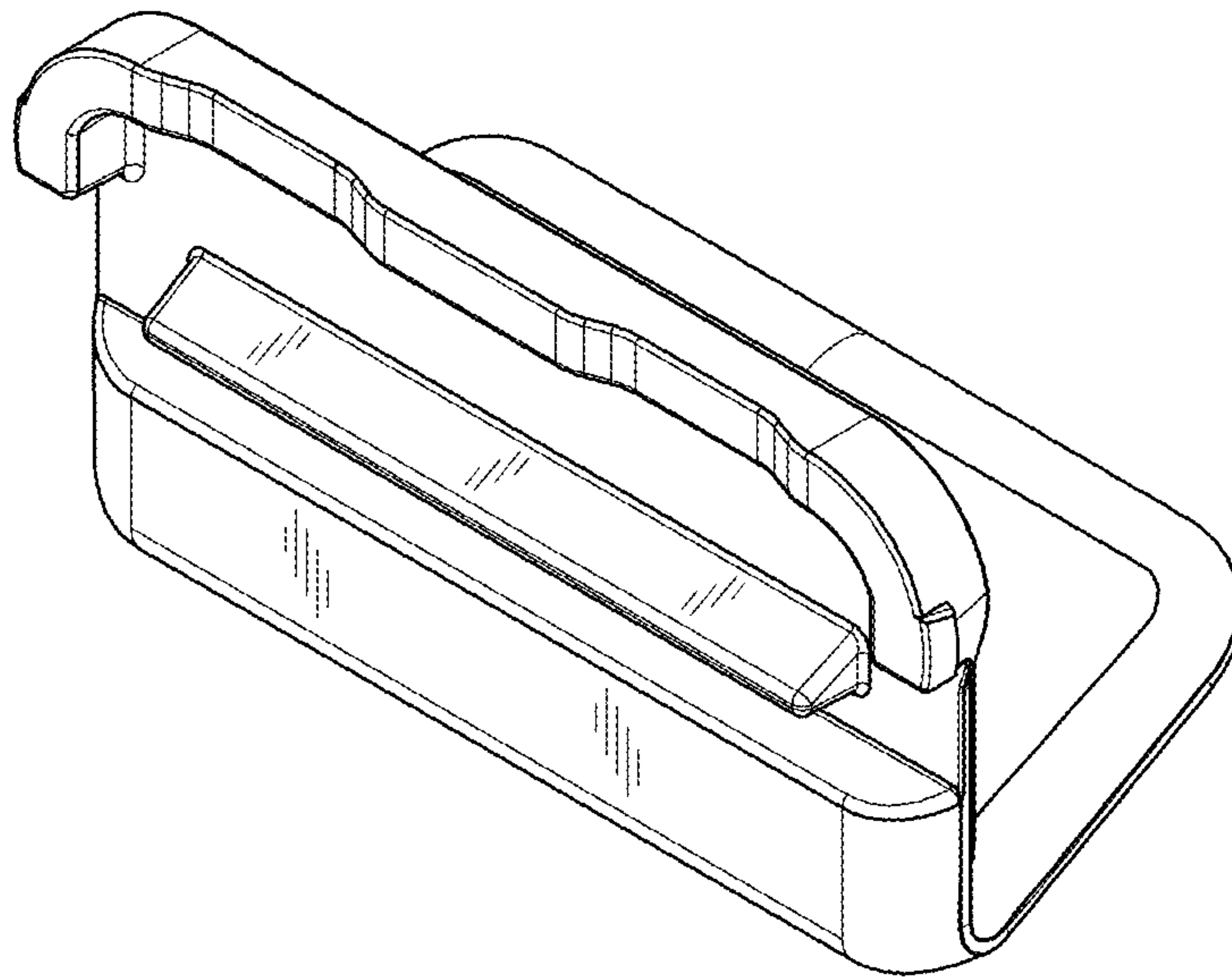


FIG. 1

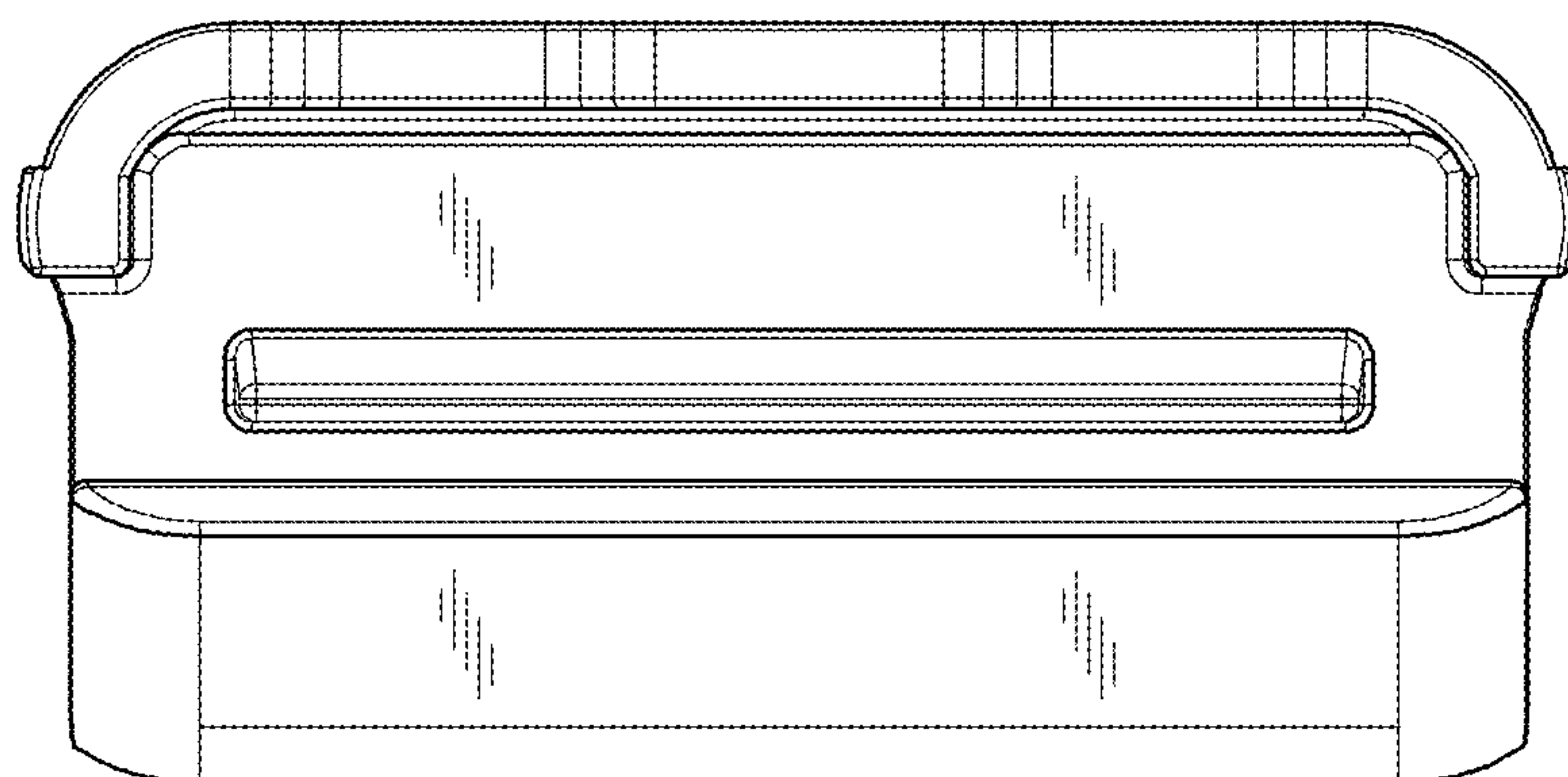


FIG. 2

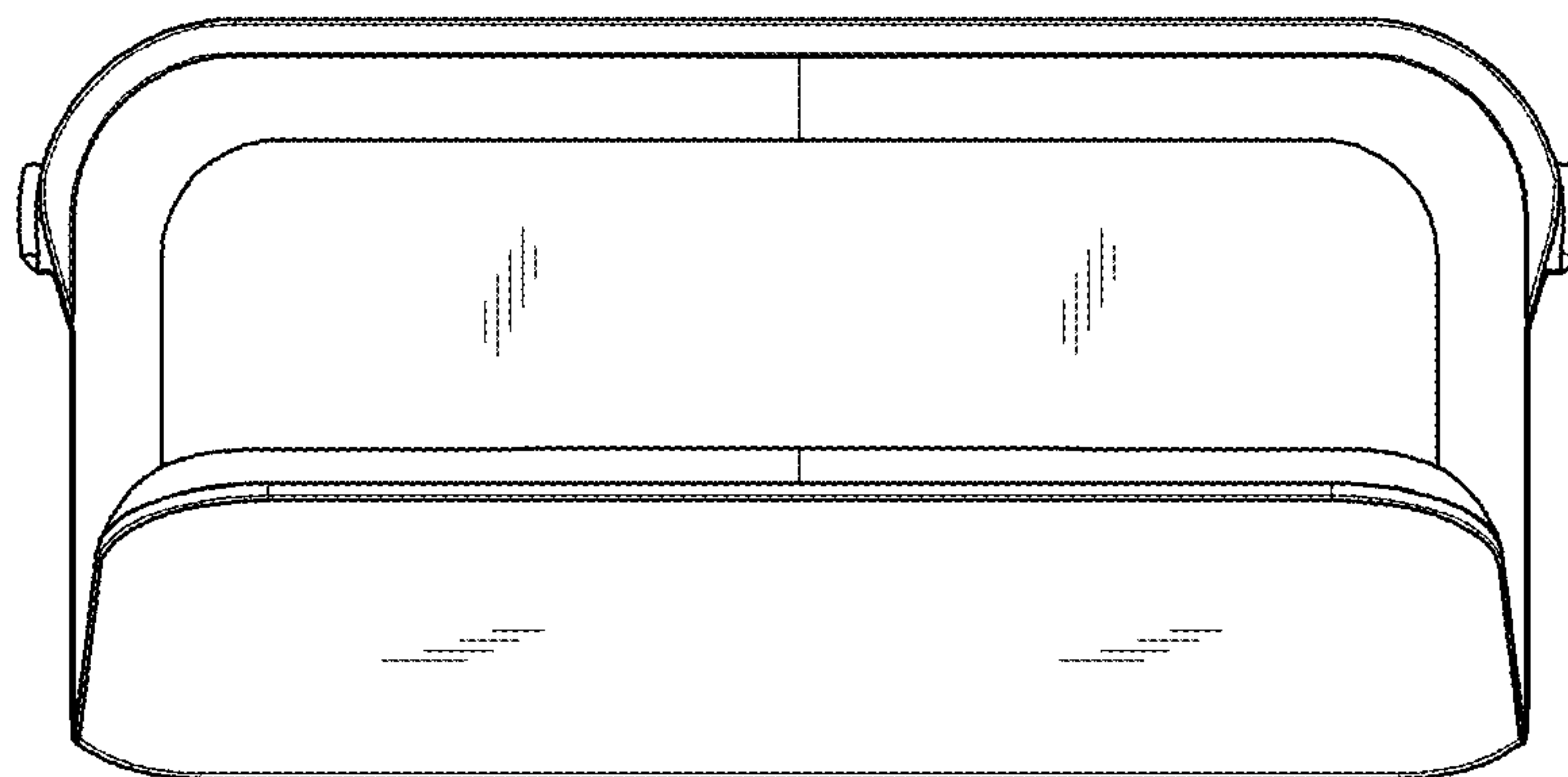


FIG. 3

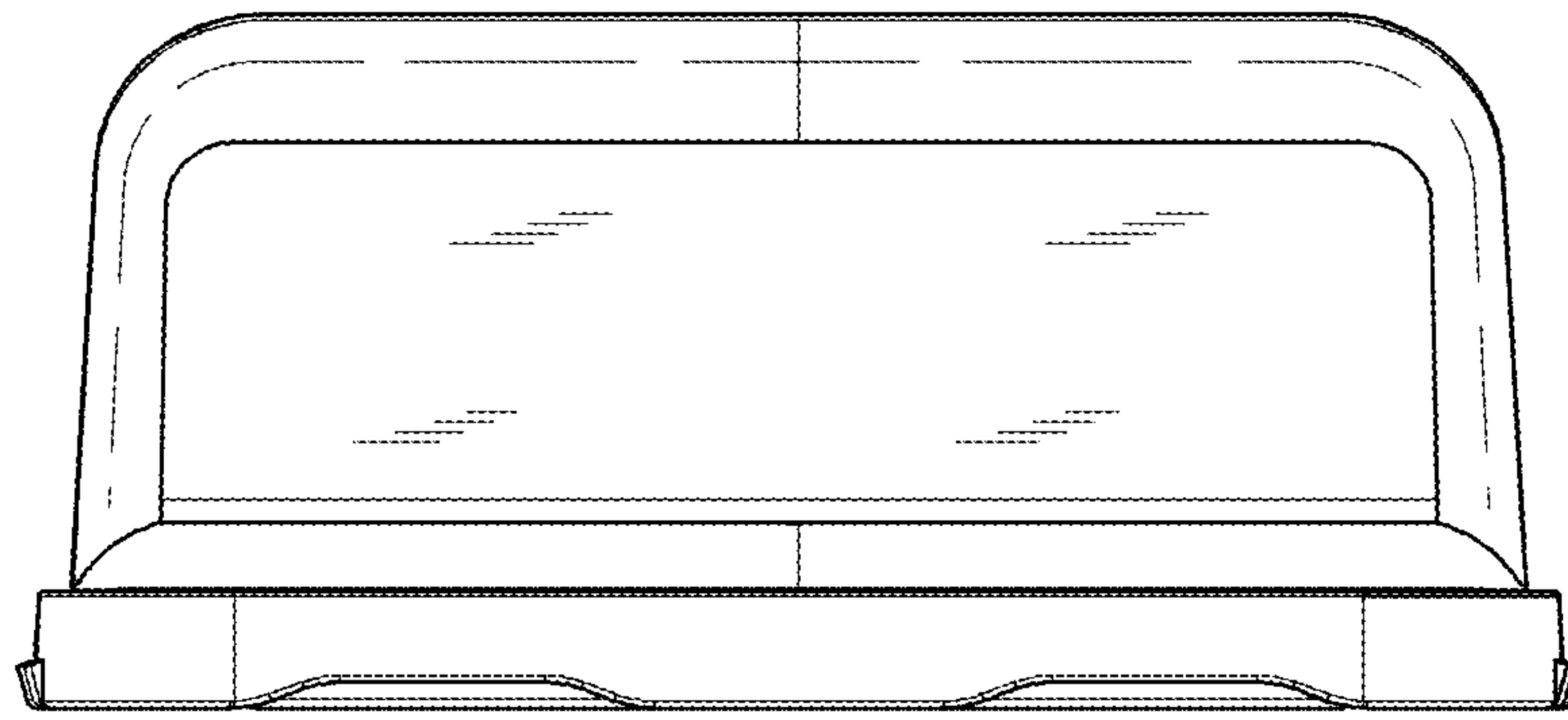


FIG. 4

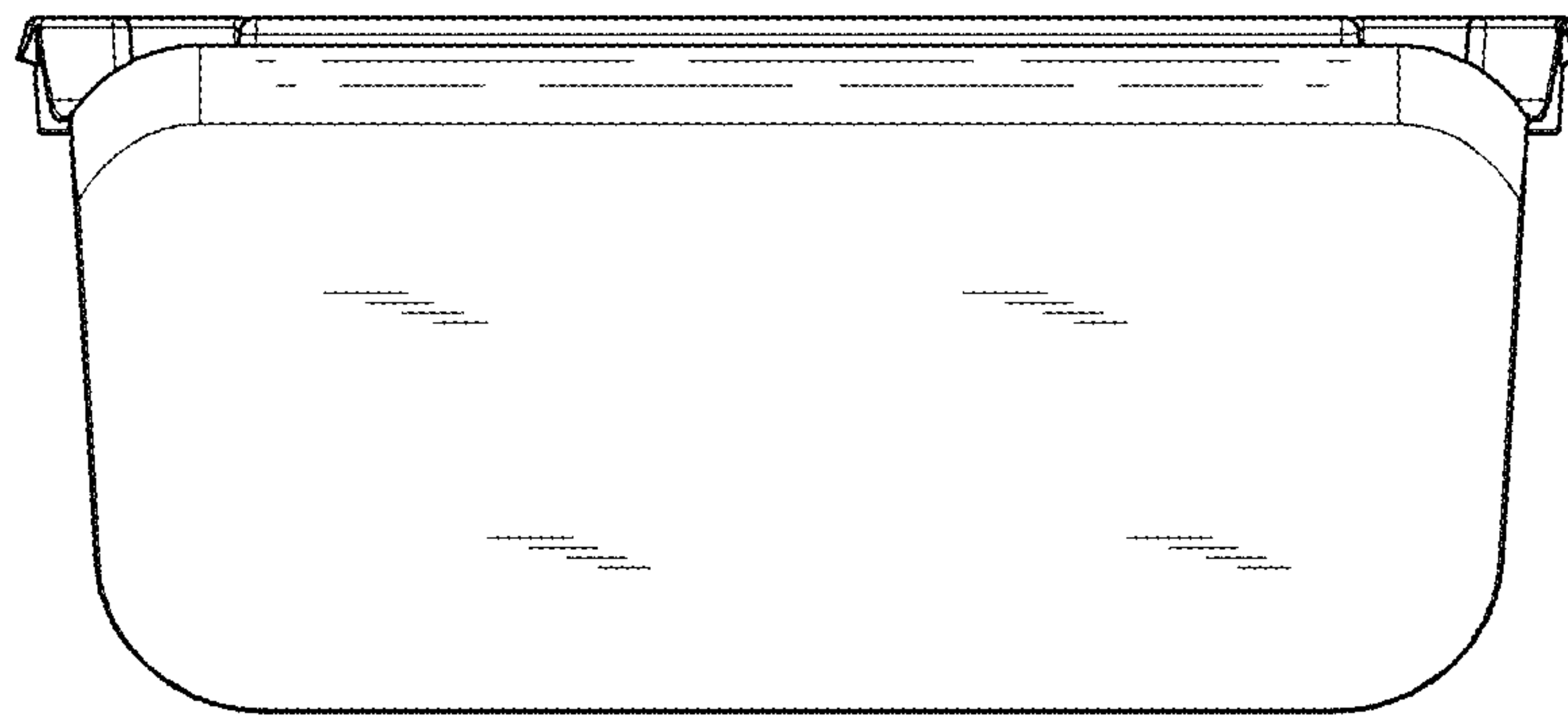


FIG. 5

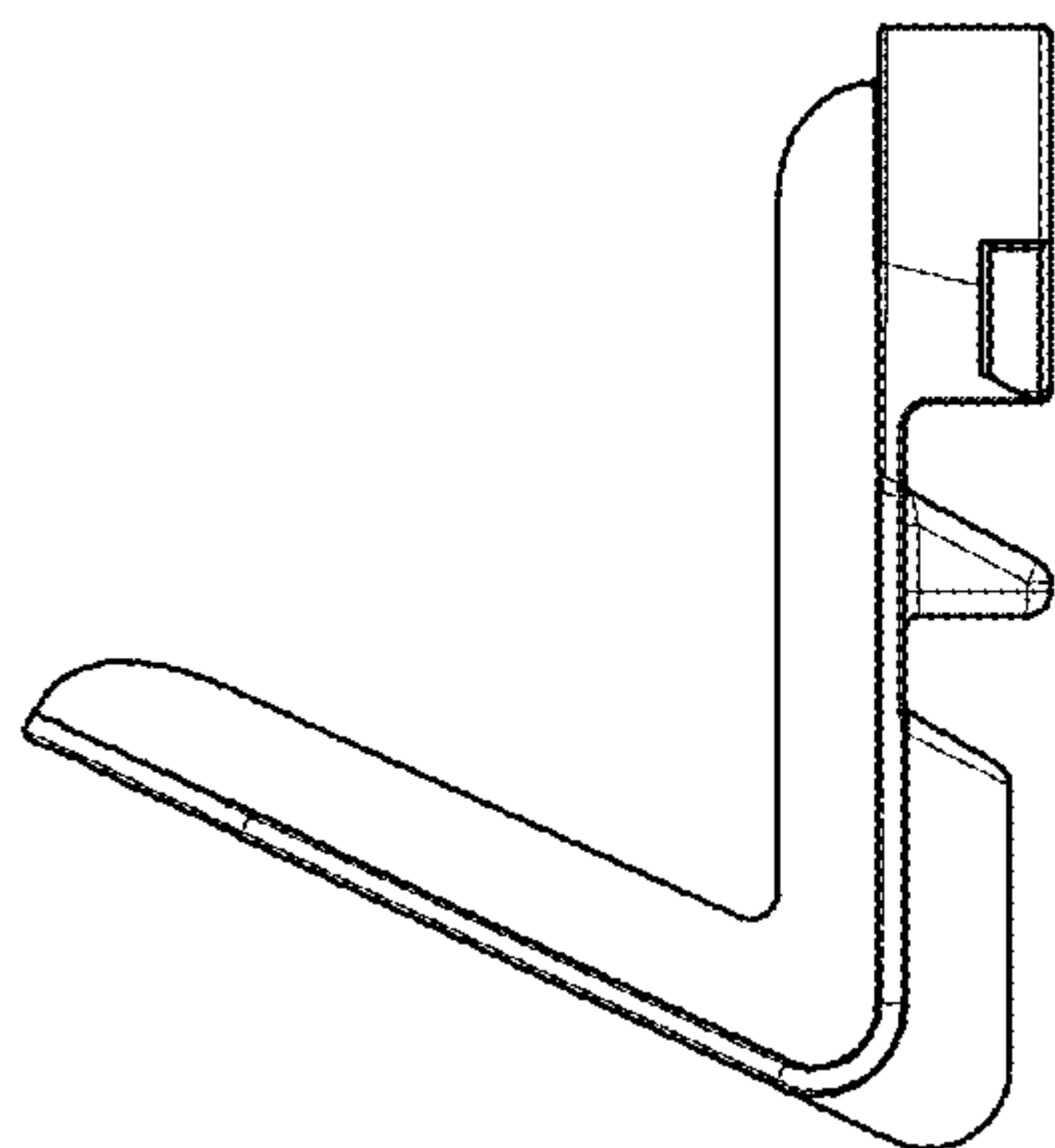


FIG. 6

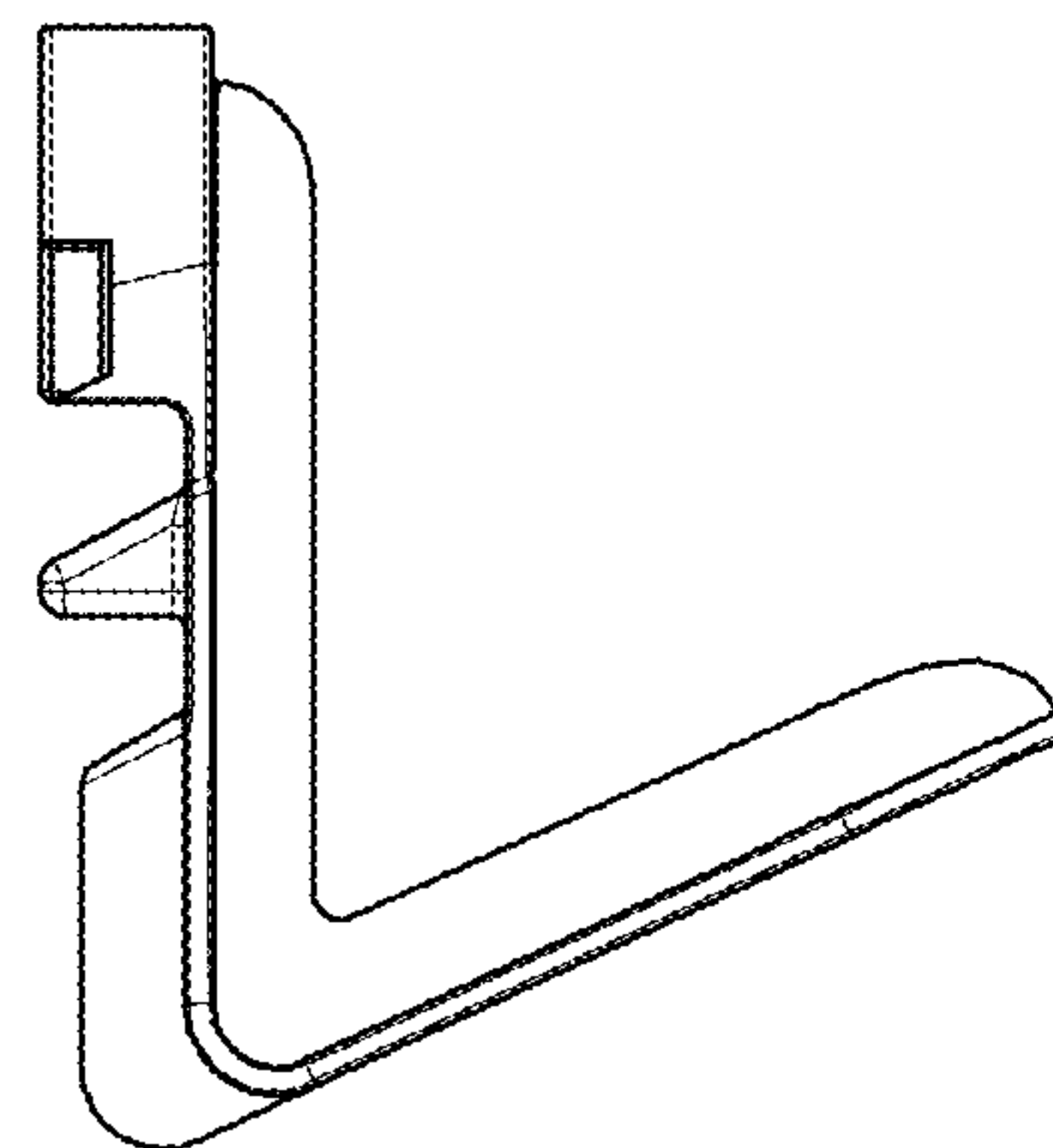


FIG. 7