



US00D843454S

(12) **United States Design Patent**
Ryu et al.

(10) **Patent No.:** **US D843,454 S**
(45) **Date of Patent:** **** Mar. 19, 2019**

(54) **PARTITION WITH MONITOR FOR ADVERTISEMENT**

(71) Applicant: **LG ELECTRONICS INC.**, Seoul (KR)

(72) Inventors: **Junghan Ryu**, Seoul (KR); **Hewon Kihl**, Seoul (KR)

(73) Assignee: **LG ELECTRONICS INC.**, Seoul (KR)

(**) Term: **15 Years**

(21) Appl. No.: **35/503,922**

(22) Filed: **May 10, 2017**

(80) **Hague Agreement Data**

Int. Filing Date: **May 10, 2017**

Int. Reg. No.: **DM/096713**

Int. Reg. Date: **May 10, 2017**

Int. Reg. Pub. Date: **Nov. 10, 2017**

(30) **Foreign Application Priority Data**

Nov. 11, 2016 (KR) 30-2016-0054488

(51) **LOC (11) Cl.** **20-03**

(52) **U.S. Cl.**
USPC **D20/10; D6/332**

(58) **Field of Classification Search**

USPC D20/10, 99, 19, 39, 42, 43, 27; D6/332, D6/682.5, 672, 677, 677.4, 678.3, 680.1, D6/680.2, 682.1, 682.3; D14/126, 371; D19/113; D24/160; D10/30, 38
CPC G09F 15/00; G09F 15/0056; G09F 1/10; G09F 1/12; G09F 15/0006; G09F 15/0018; A47G 5/00; E04B 2/7422

See application file for complete search history.

(56) **References Cited**

U.S. PATENT DOCUMENTS

D52,007 S * 5/1918 Erickson D20/39
1,992,487 A * 2/1935 Jones A47B 65/00
211/43

4,250,640 A * 2/1981 Culhane A47G 1/06
40/537

D267,658 S * 1/1983 Samuels, Jr. D20/42
D349,608 S * 8/1994 Savoie D25/138

(Continued)

OTHER PUBLICATIONS

Sam's Club. Marque Triple-Unit Reception Station Plexi-Panel Front and 2 Locking Drawer Pedestals. 2018 [earliest online date], [site visited Aug. 10, 2018]. Available from Internet, <URL:https://www.samsclub.com/sams/reception-desk-curved-design-desk/prod21420696.ip?xid=plp_product_1_6>. (Year: 2018)(Year: 2018).*

Primary Examiner — George D. Kirschbaum

Assistant Examiner — Darcey E Heflin

(74) *Attorney, Agent, or Firm* — Birch, Stewart, Kolasch & Birch, LLP

(57) **CLAIM**

The ornamental design for a partition with monitor for advertisement, as shown and described.

DESCRIPTION

1. Partition with monitor for advertisement

1.1 : Perspective

1.2 : Front

1.3 : Back

1.4 : Left

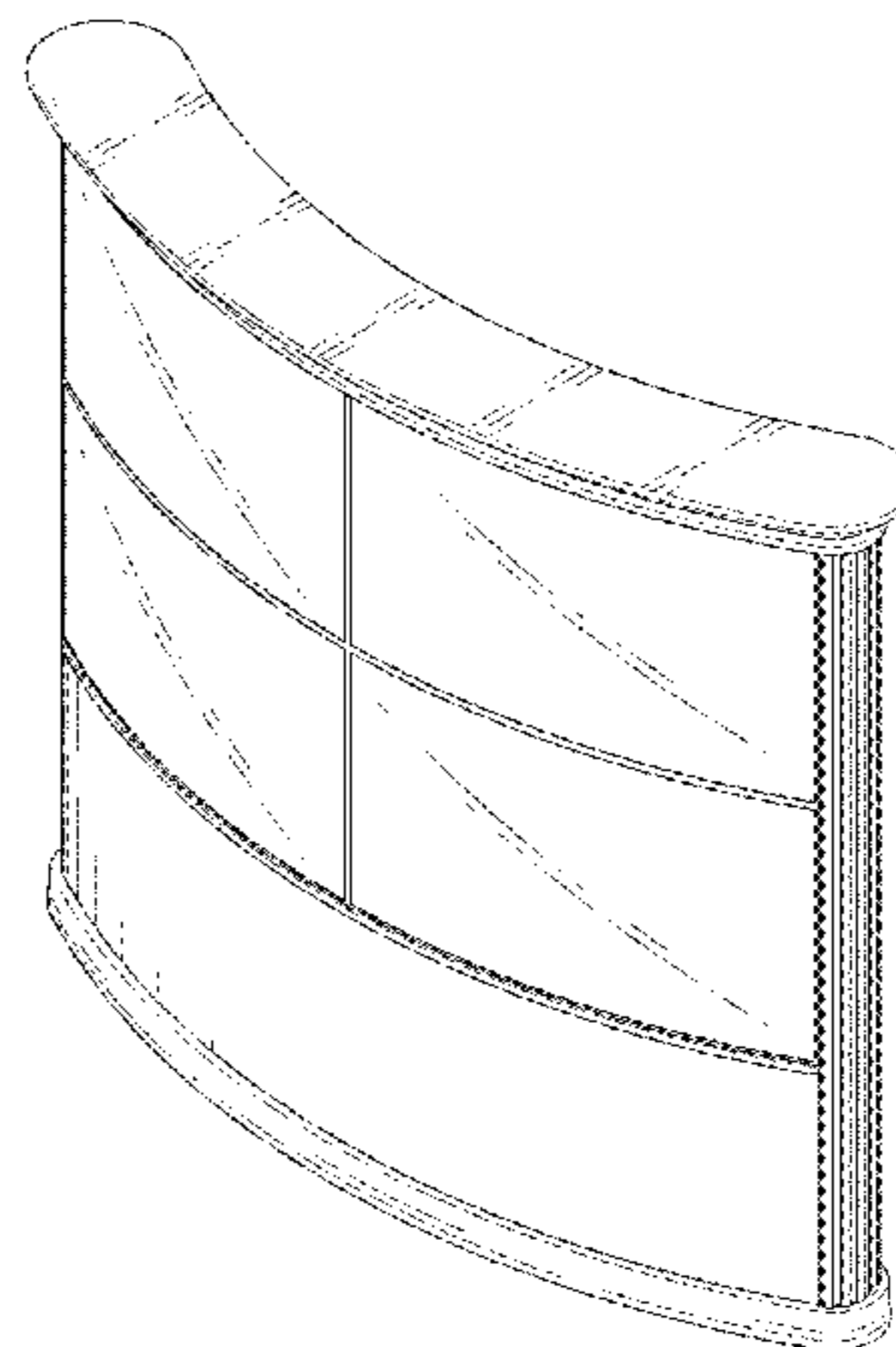
1.5 : Right

1.6 : Top

1.7 : Bottom

The broken lines depict portions of the partition with monitor for advertisement that form no part of the claim.

1 Claim, 7 Drawing Sheets



(56)

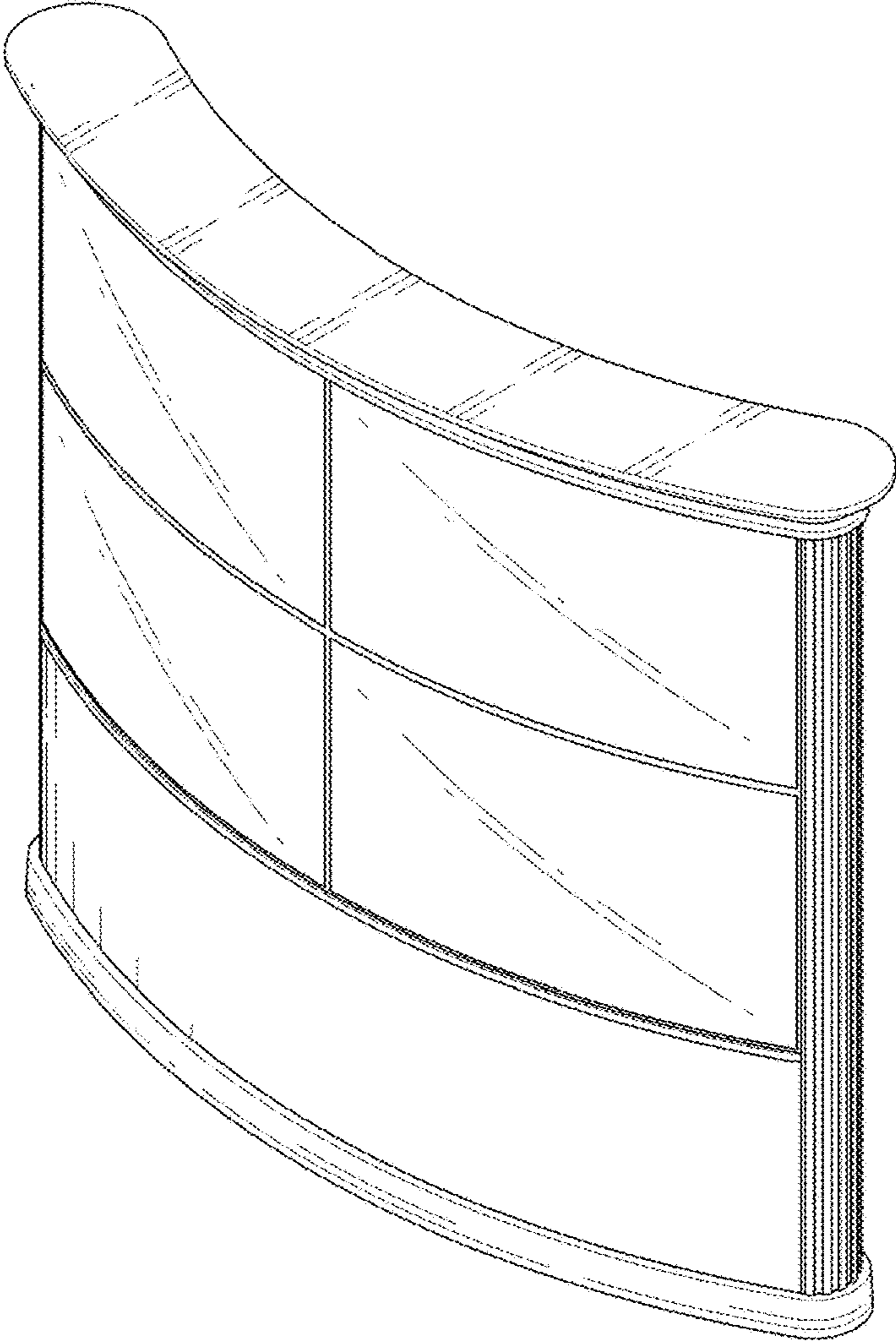
References Cited

U.S. PATENT DOCUMENTS

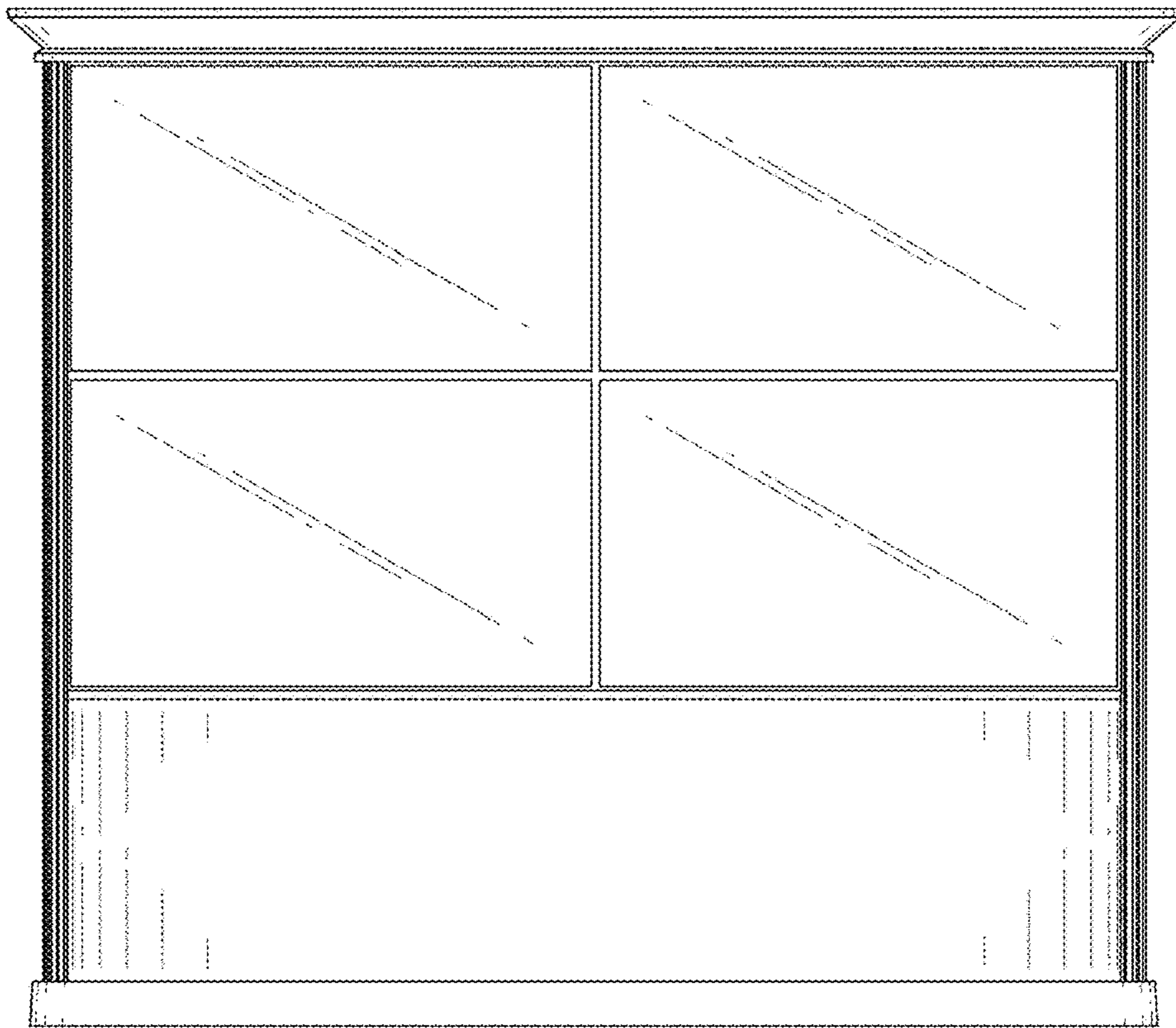
D389,194	S	*	1/1998	Rinicella	D20/10
D405,976	S	*	2/1999	Beall	D20/10
D406,279	S	*	3/1999	LaRosa	D20/10
D417,241	S	*	11/1999	Frey	D20/10
D518,109	S	*	3/2006	Opolka	D20/42
D548,234	S	*	8/2007	Kurihara	D14/341
D680,090	S	*	4/2013	Serota	D14/126
D719,612	S	*	12/2014	Aleman	D20/41
D737,271	S	*	8/2015	Morrissey	D14/371
D767,412	S	*	9/2016	Voirin	D10/30
D793,751	S	*	8/2017	Kitajima	D6/332
D796,216	S	*	9/2017	Rockwell	D6/332
D817,396	S	*	5/2018	Carvey	D19/113
D827,029	S	*	8/2018	Lim	D20/10
D831,118	S	*	10/2018	Yoon	D20/10

* cited by examiner

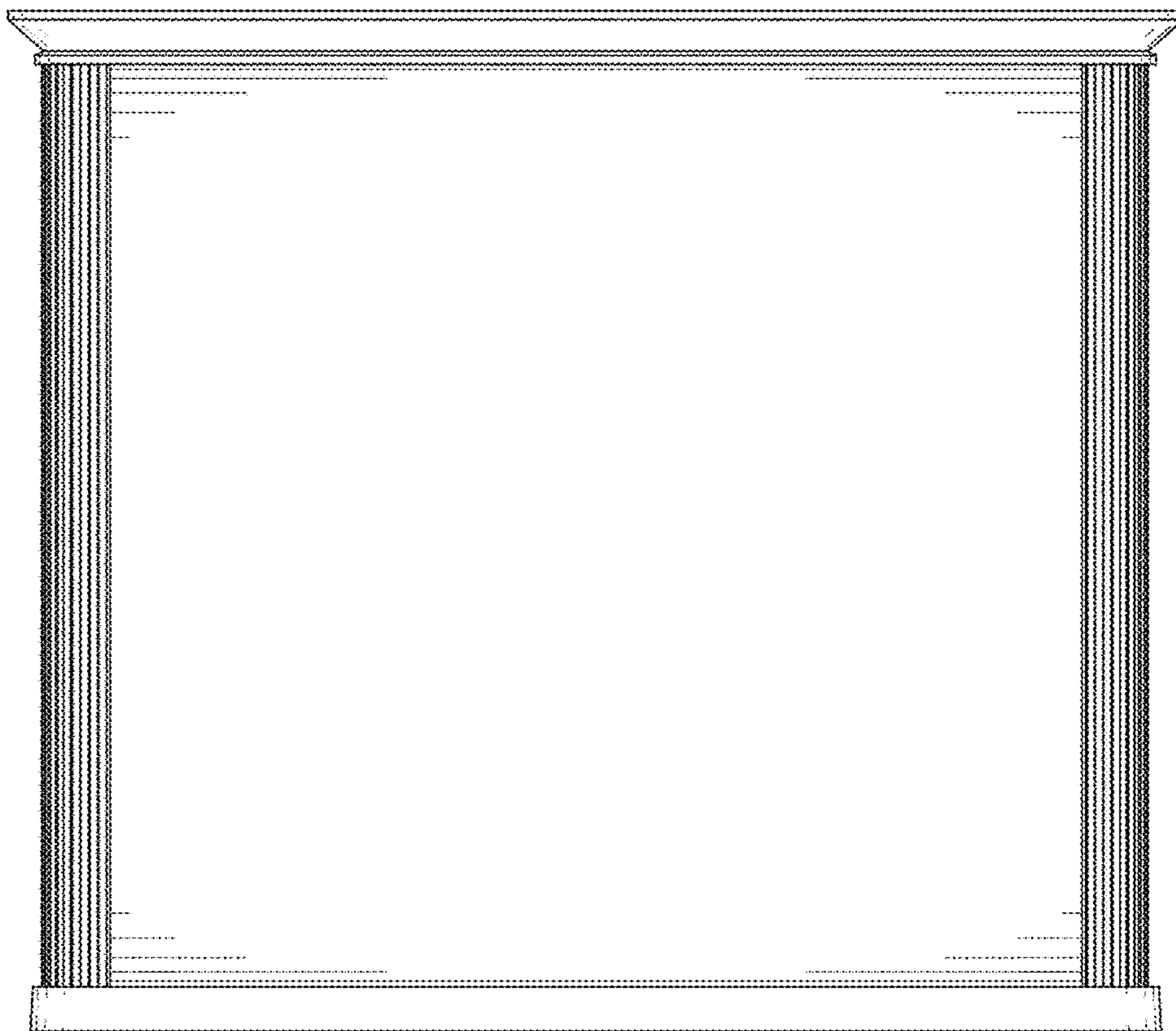
1.1



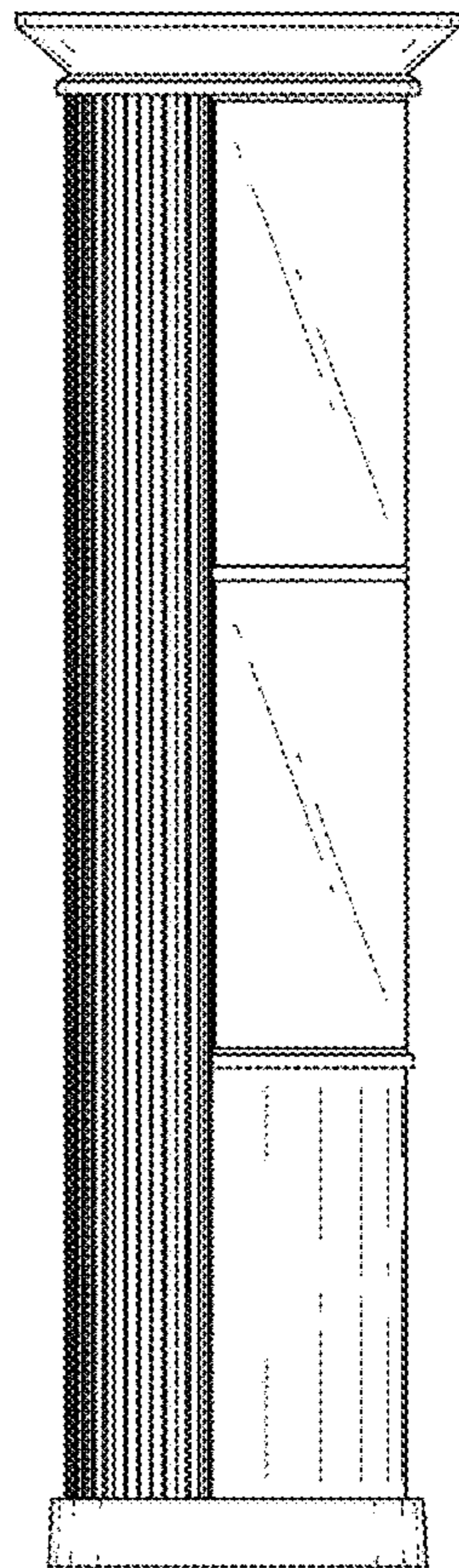
1.2



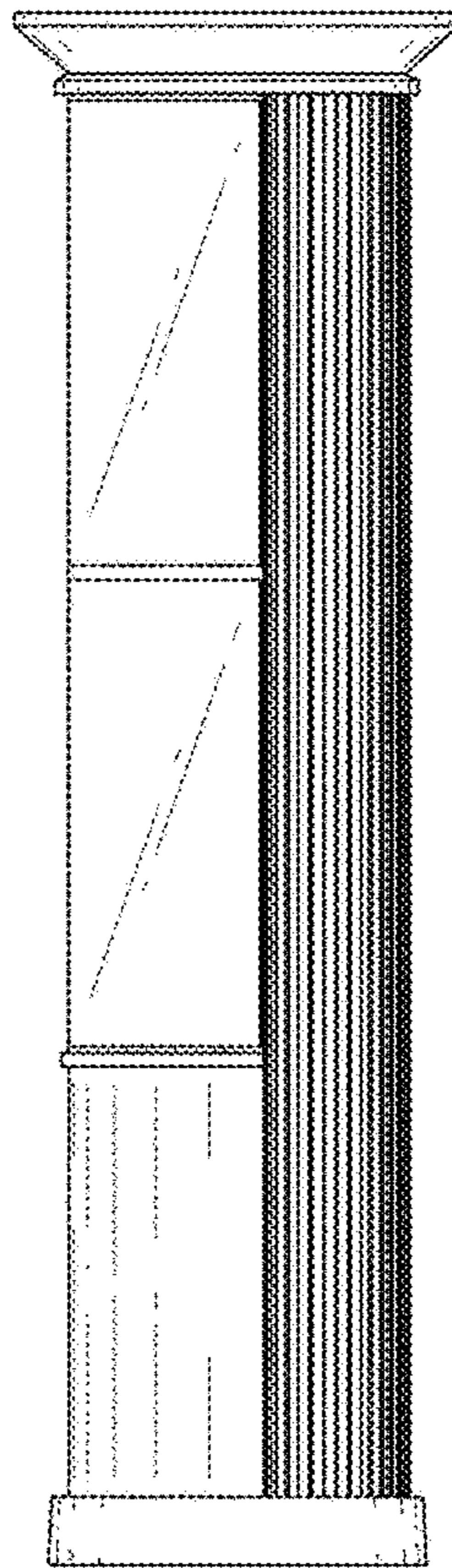
1.3



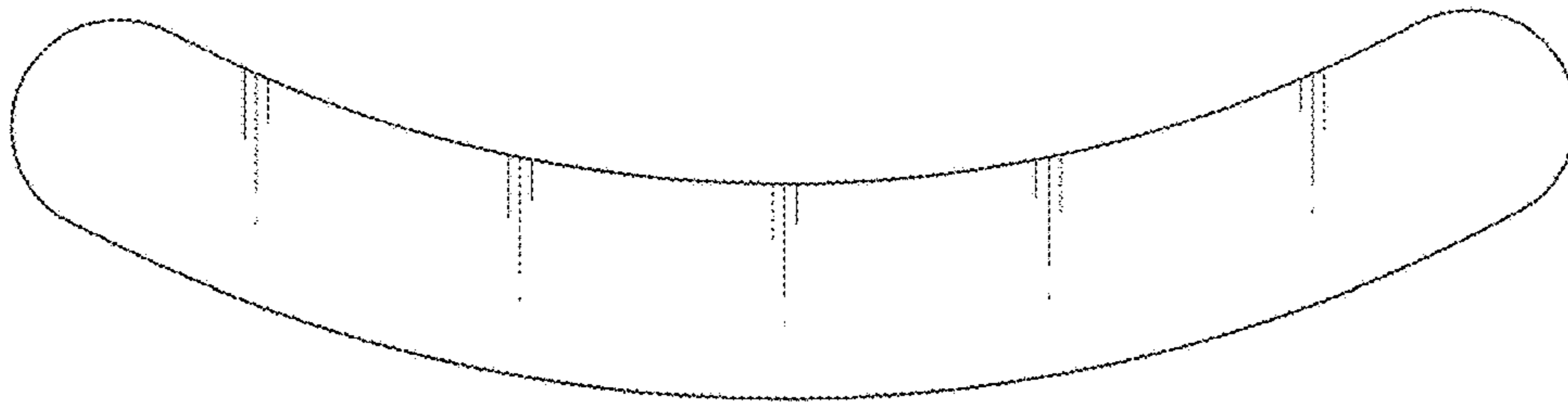
1.4



1.5



1.6



1.7

