



US00D843445S

(12) **United States Design Patent**
Takahashi

(10) **Patent No.:** **US D843,445 S**
(45) **Date of Patent:** **** Mar. 19, 2019**

- (54) **INK CARTRIDGE**
- (71) Applicant: **BROTHER INDUSTRIES, LTD.**,
Nagoya-shi, Aichi-ken (JP)
- (72) Inventor: **Hiroaki Takahashi**, Nagoya (JP)
- (73) Assignee: **BROTHER INDUSTRIES, LTD.**,
Nagoya (JP)
- (**) Term: **15 Years**
- (21) Appl. No.: **29/614,544**
- (22) Filed: **Aug. 21, 2017**
- (30) **Foreign Application Priority Data**
Feb. 21, 2017 (JP) 2017-003303
- (51) **LOC (11) Cl.** **18-02**
- (52) **U.S. Cl.**
USPC **D18/56**
- (58) **Field of Classification Search**
USPC D18/56, 18, 40, 44, 58, 99
CPC . B41J 2/17; B41J 2/1721; B41J 2/1572; B41J
2/1574; B41J 2/17503; B41J 2/17553;
B41J 2/17556; B41J 2/16547
See application file for complete search history.

- 8,157,364 B2 * 4/2012 Sasaki B41J 2/17513
347/85
- D677,721 S * 3/2013 Kawate D18/56
- D692,052 S * 10/2013 Ishizawa D18/56
- D707,290 S * 6/2014 Harvey D18/56
- D712,466 S * 9/2014 Nagashima D18/56
- 9,597,882 B2 * 3/2017 Gonzales B41J 2/17513
- D815,200 S * 4/2018 Ishizawa D18/56

- (56) **References Cited**
U.S. PATENT DOCUMENTS
D450,083 S * 11/2001 Bishop 347/86
D466,151 S * 11/2002 Shinada 347/86
D481,756 S * 11/2003 Shinada 347/86
D603,895 S * 11/2009 Hattori D18/56
8,052,260 B2 * 11/2011 Hattori B41J 2/17513
347/86

OTHER PUBLICATIONS

HP 364 Ink Cartridge, www.staples.co.uk, Jul. 25, 2017.

* cited by examiner

Primary Examiner — Robin V Webster

Assistant Examiner — J. Thorn, Sr.

(74) *Attorney, Agent, or Firm* — Oliff PLC

(57) **CLAIM**

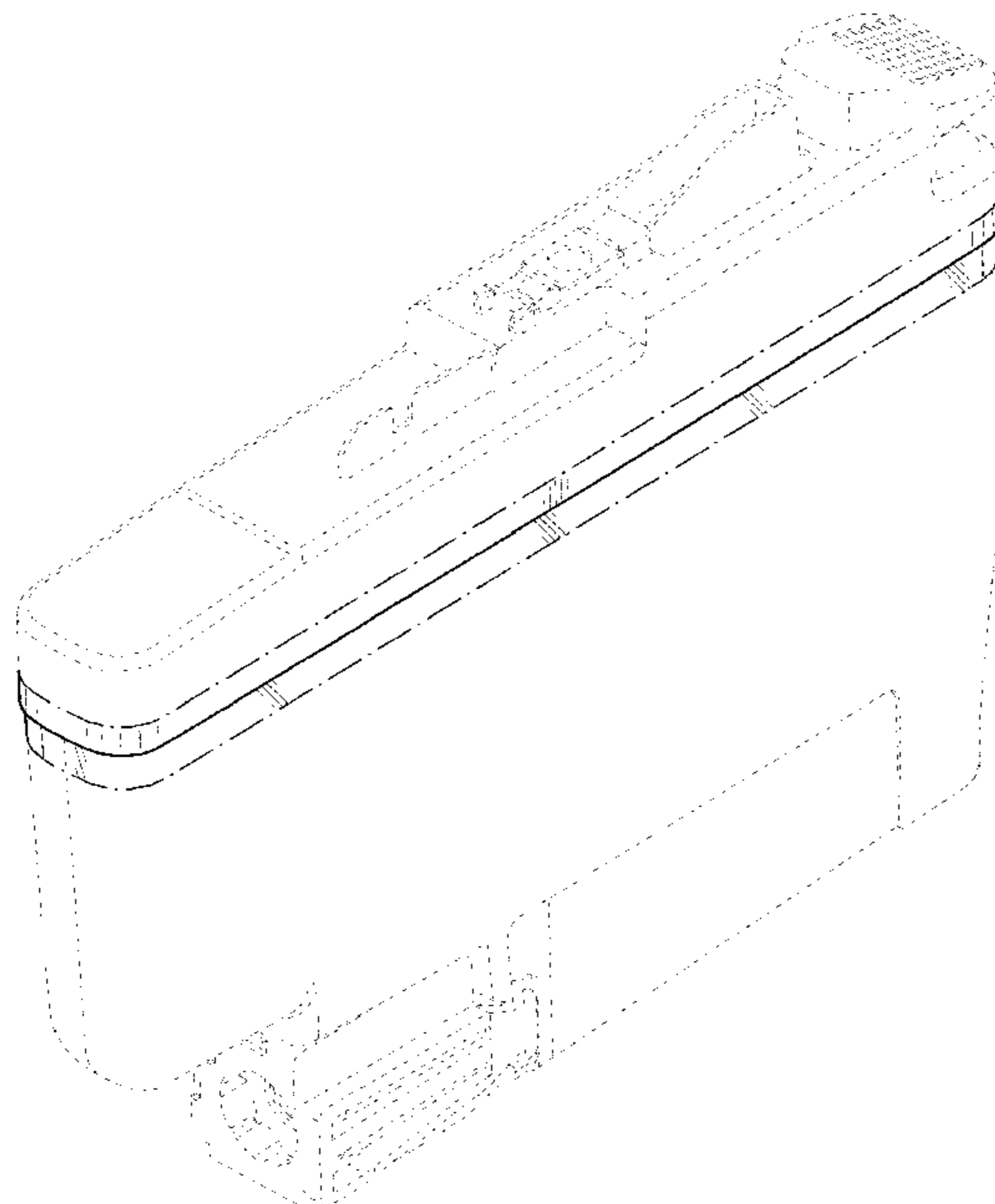
The ornamental design for an ink cartridge, as shown and described.

DESCRIPTION

FIG. 1 is a perspective view of an ink cartridge;
FIG. 2 is a front view thereof;
FIG. 3 is a top view thereof;
FIG. 4 is a right-side view thereof;
FIG. 5 is a left-side view thereof;
FIG. 6 is a rear view thereof; and,
FIG. 7 is a bottom view thereof.

The evenly spaced broken lines depict environmental subject matter only and form no part of the claimed design. The dot-dash chain lines depict a boundary of the claimed subject matter and form no part of the claimed design. Transparent/translucent surfaces are shown with diagonal shading, in accordance with 37 CFR 1.152.

1 Claim, 6 Drawing Sheets



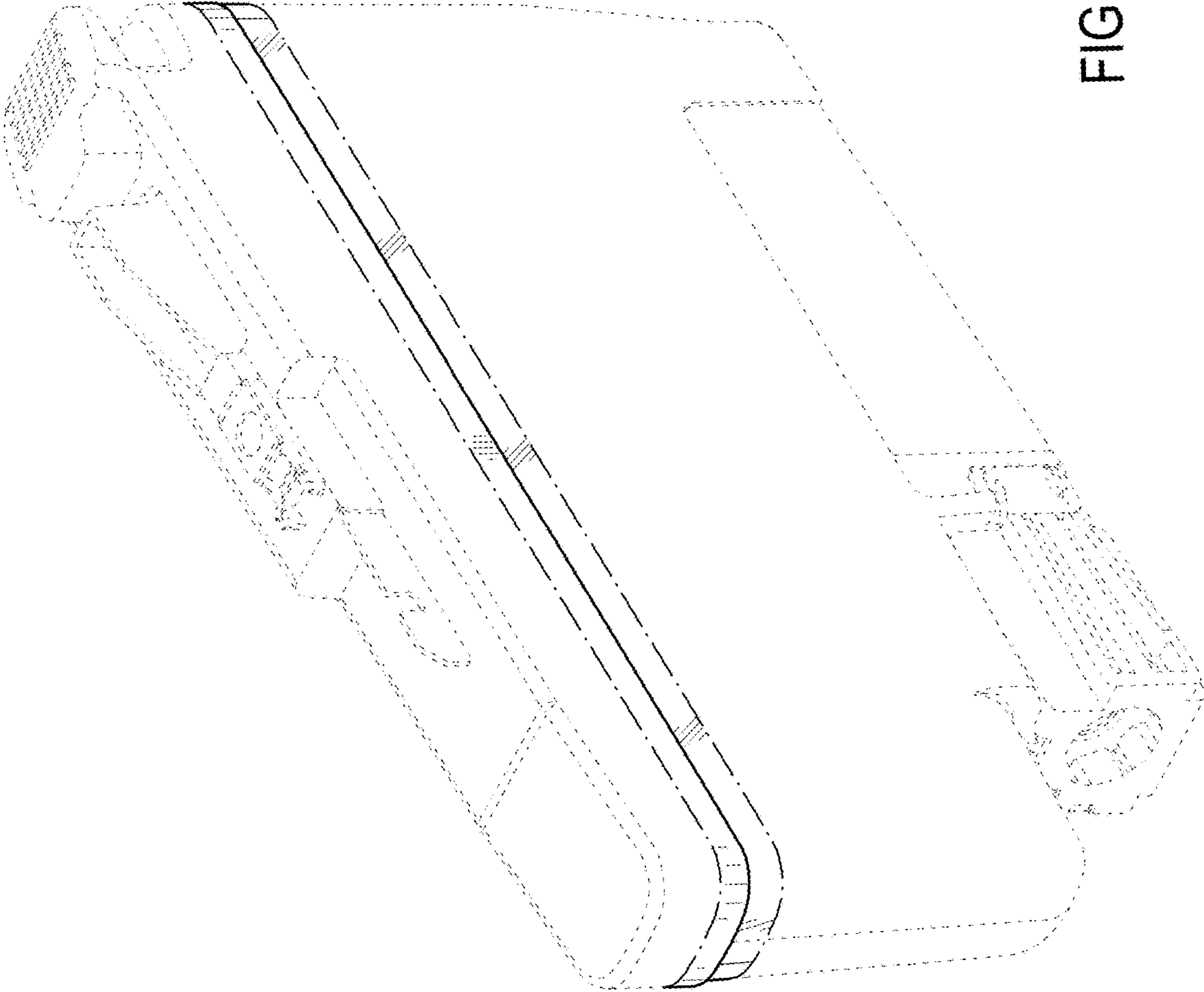


FIG. 1

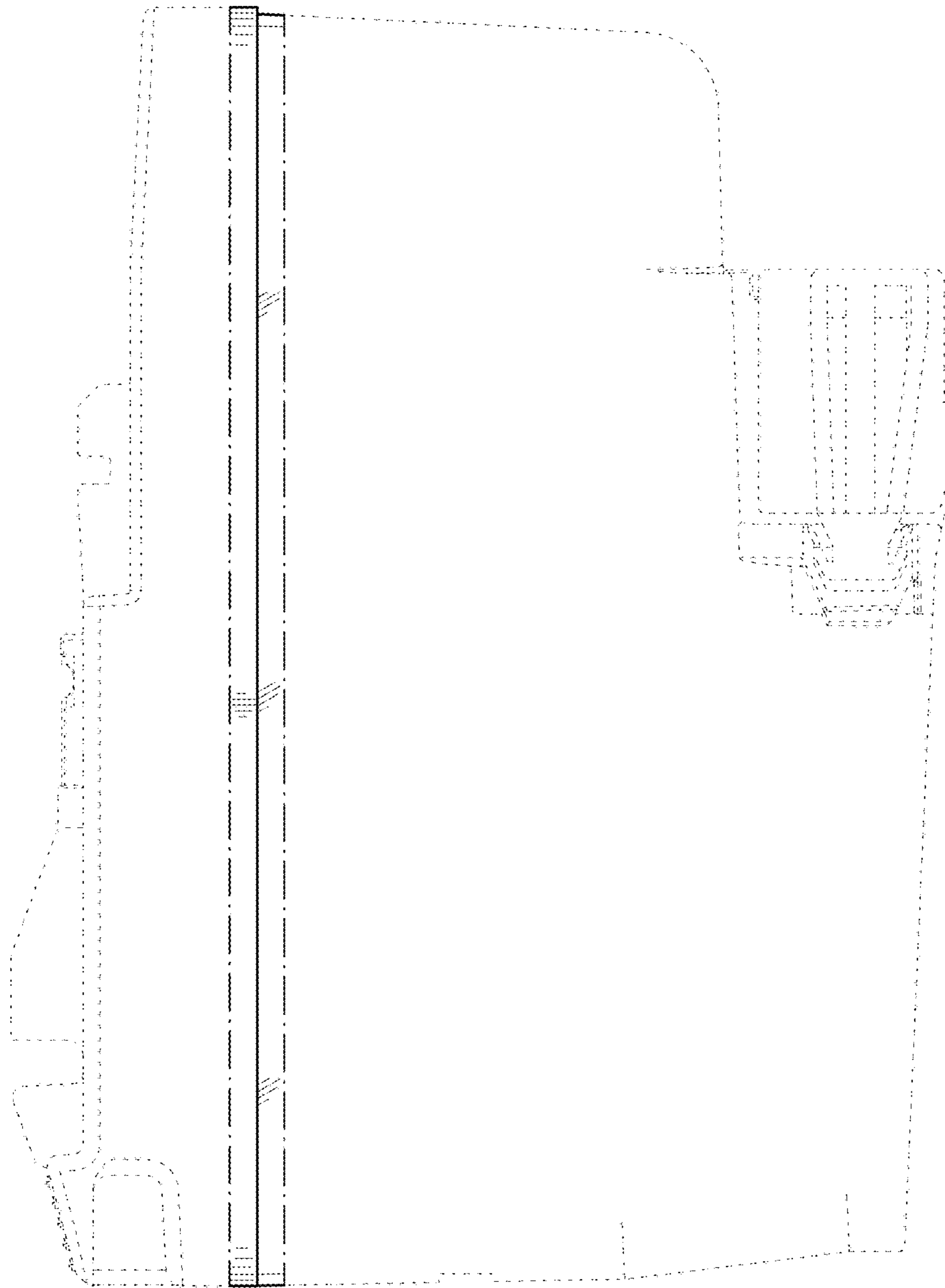


FIG. 2

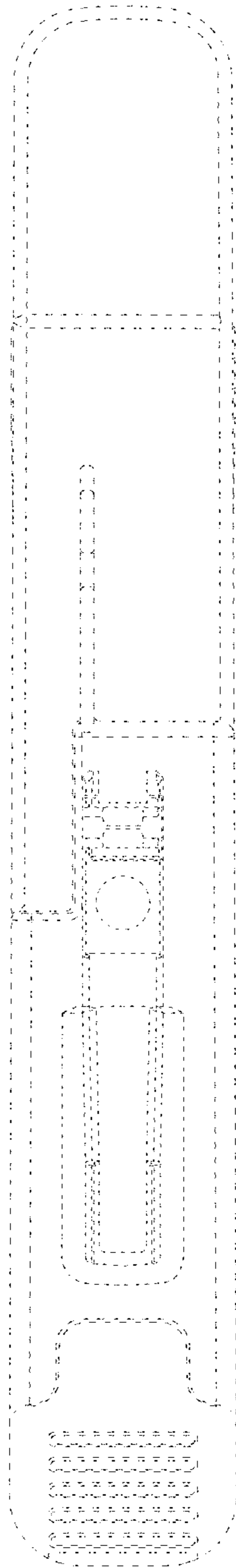


FIG. 3

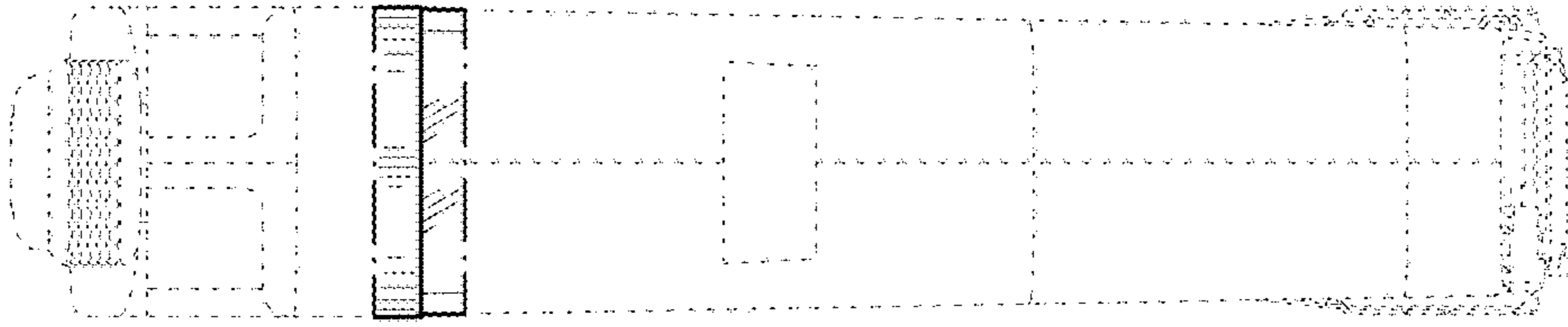


FIG. 5

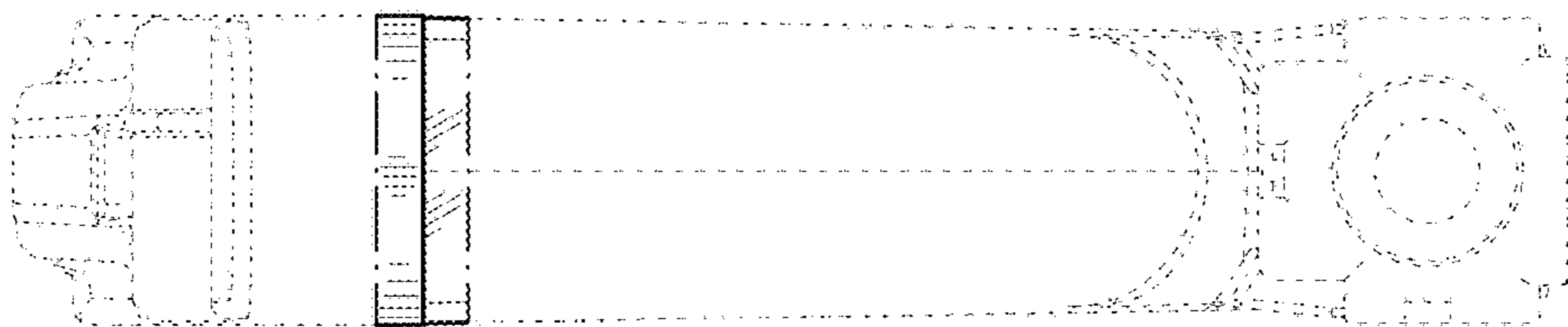


FIG. 4

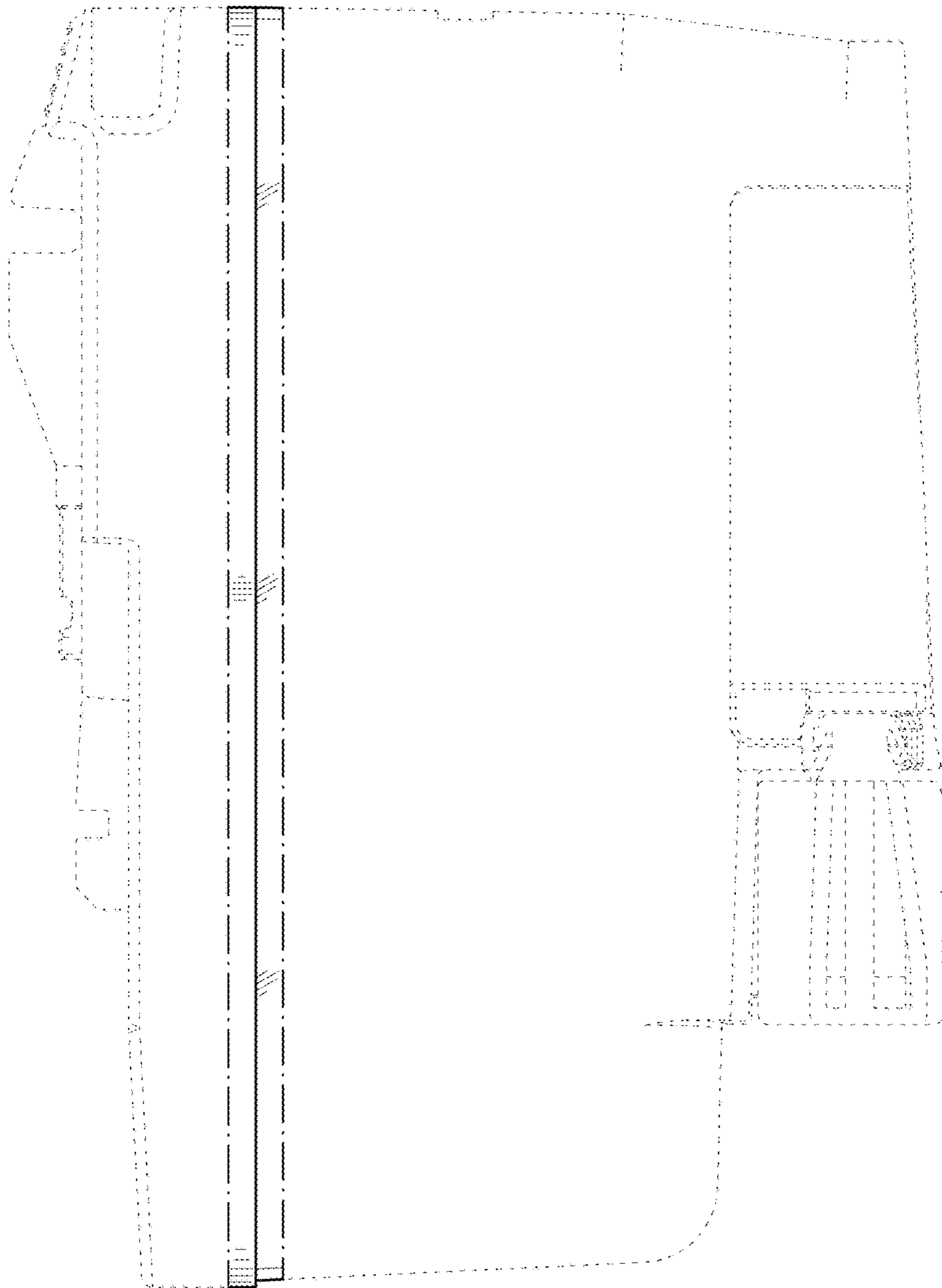


FIG. 6

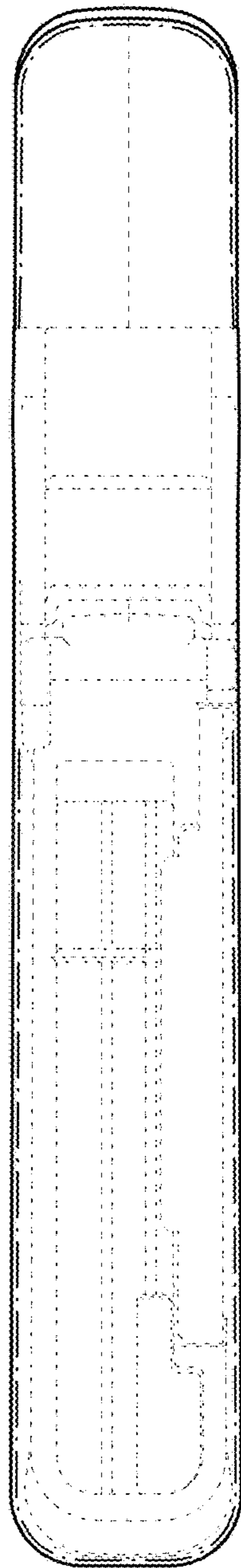


FIG. 7