



US00D843444S

(12) **United States Design Patent** (10) **Patent No.:** **US D843,444 S**
Tanaka et al. (45) **Date of Patent:** **** Mar. 19, 2019**

(54) **PRINTER**

(56) **References Cited**

(71) Applicant: **SEIKO EPSON CORPORATION**,
Tokyo (JP)

U.S. PATENT DOCUMENTS

(72) Inventors: **Yoshiyuki Tanaka**, Matsumoto (JP);
Hideki Kato, London (GB); **Kenji Oshima**, Nagano (JP); **Takao Oizumi**,
Matsumoto (JP); **Matt Delegate**,
London (GB); **David Keech**, London
(GB)

D532,449 S * 11/2006 Tjin Wong Joe D18/55
D758,483 S * 6/2016 Seki D18/50
D815,196 S * 4/2018 Tanaka D18/50
D818,532 S * 5/2018 Sato D18/55
D827,021 S * 8/2018 Asano D18/50
2015/0381837 A1* 12/2015 Oizumi H04N 1/00559
358/474
2017/0217222 A1* 8/2017 Sugiyama B65H 31/02
2018/0278775 A1* 9/2018 Oizumi H04N 1/00602

(73) Assignee: **SEIKO EPSON CORPORATION**,
Tokyo (JP)

OTHER PUBLICATIONS

(**) Term: **15 Years**

Restriction Requirement dated Sep. 29, 2017 in Design U.S. Appl.
No. 29/569,897.

(21) Appl. No.: **29/630,954**

* cited by examiner

(22) Filed: **Dec. 26, 2017**

Primary Examiner — Robin V Webster
Assistant Examiner — J. Thorn, Sr.

Related U.S. Application Data

(62) Division of application No. 29/569,897, filed on Jul.
11, 2016, now Pat. No. Des. 815,196.

(57) **CLAIM**

The ornamental design for a printer, as shown and described.

(30) **Foreign Application Priority Data**

DESCRIPTION

Jan. 15, 2016 (JP) 2016-000649
Jan. 15, 2016 (JP) 2016-000650

(51) **LOC (11) Cl.** **14-02**

(52) **U.S. Cl.**
USPC **D18/50; D18/55**

(58) **Field of Classification Search**
USPC D18/36-37, 50, 55, 53, 54.1, 39, 54;
D14/421
CPC ... B41J 11/00; B41J 11/58; B41J 15/00; B41J
15/12; B41J 15/42; G03G 21/1633; G06K
15/12

FIG. 1 is a front, top, and right side perspective view of a
printer showing our new design;
FIG. 2 is a rear, top, and left side perspective view thereof;
FIG. 3 is a front view thereof;
FIG. 4 is a rear view thereof;
FIG. 5 is a top plan view thereof;
FIG. 6 is a bottom plan view thereof;
FIG. 7 is a right side view thereof; and,
FIG. 8 is a left side view thereof.
The broken lines illustrate portions of the printer and form
no part of the claimed design.

See application file for complete search history.

1 Claim, 8 Drawing Sheets

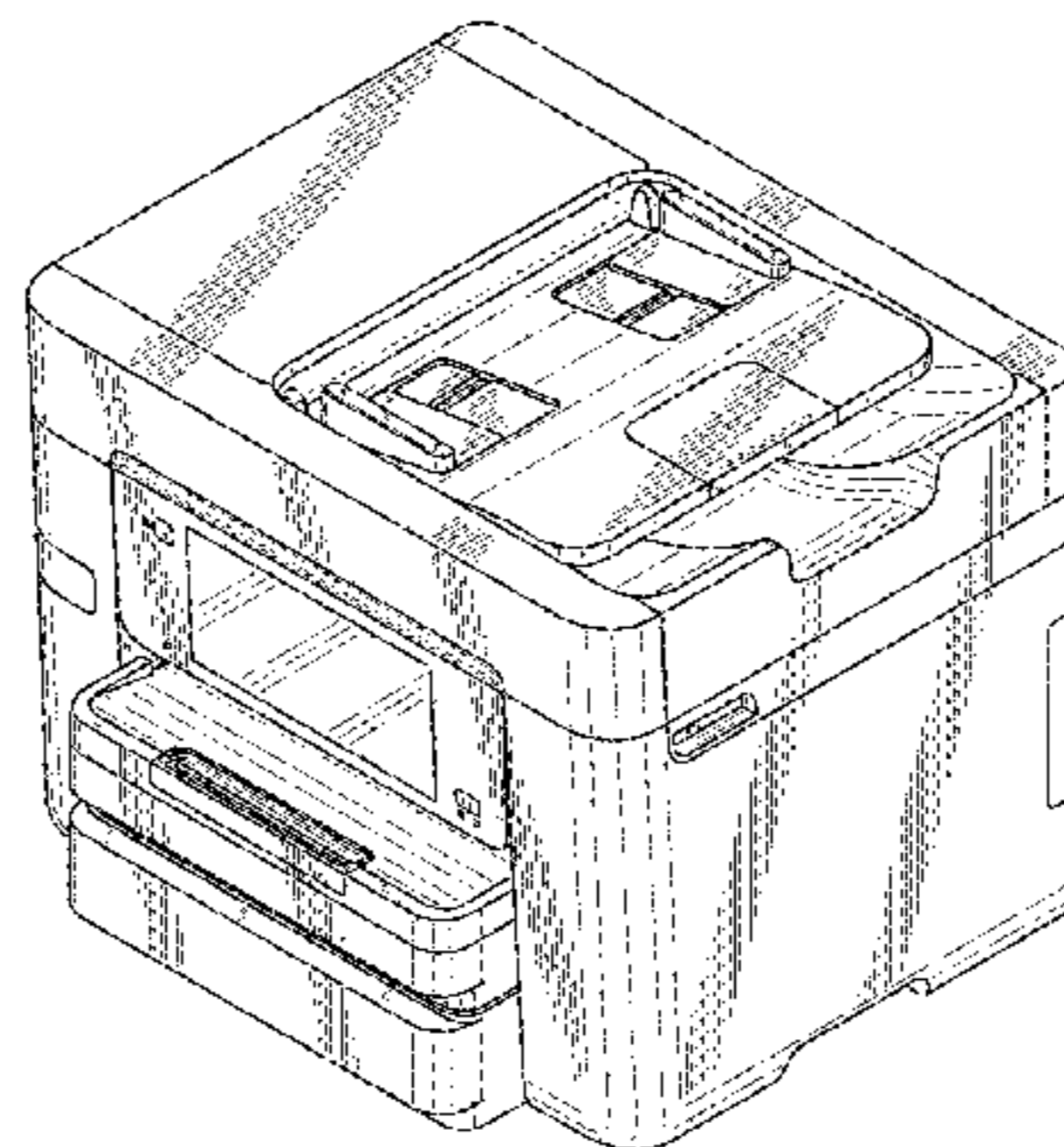


FIG. 1

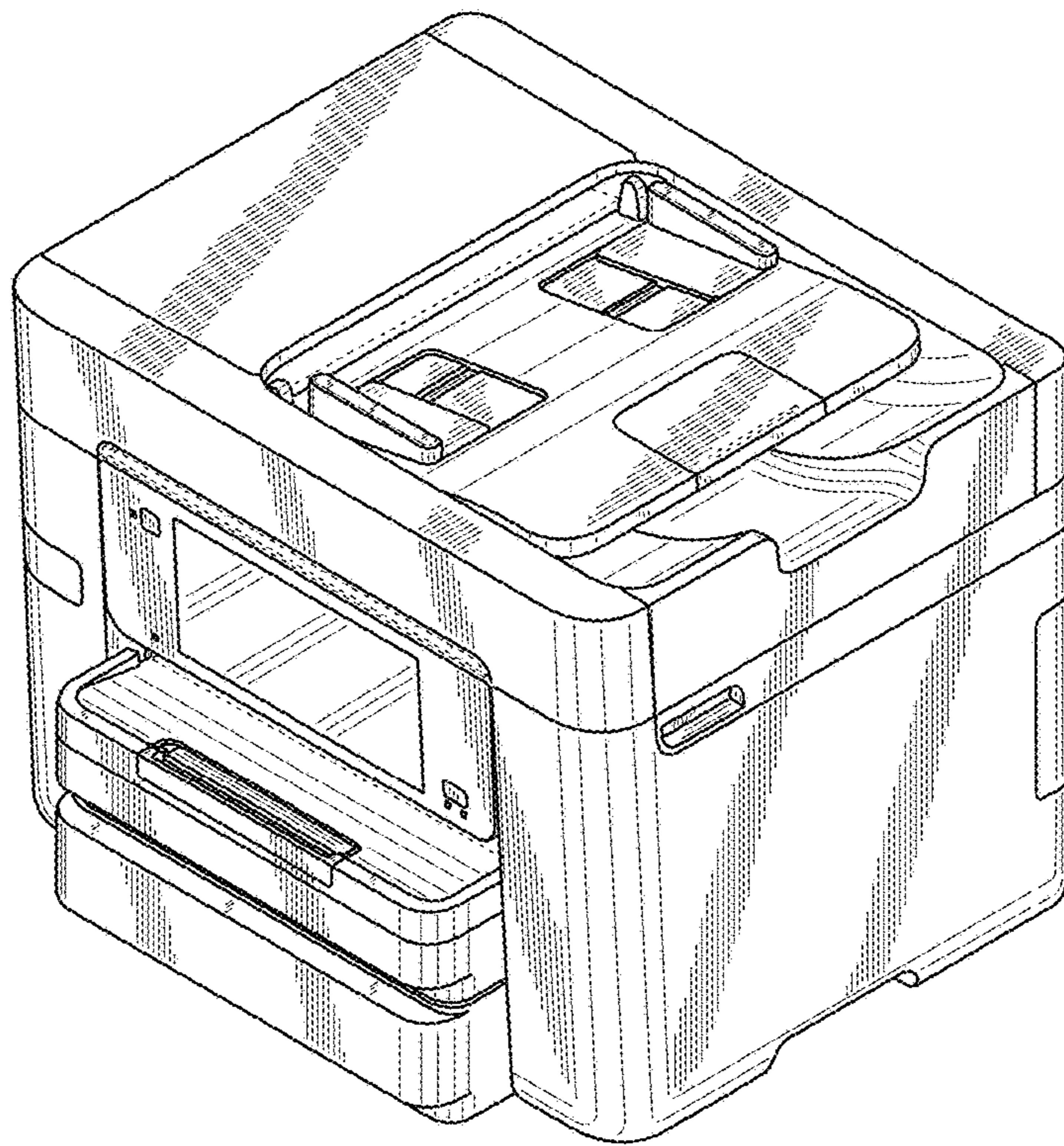


FIG. 2

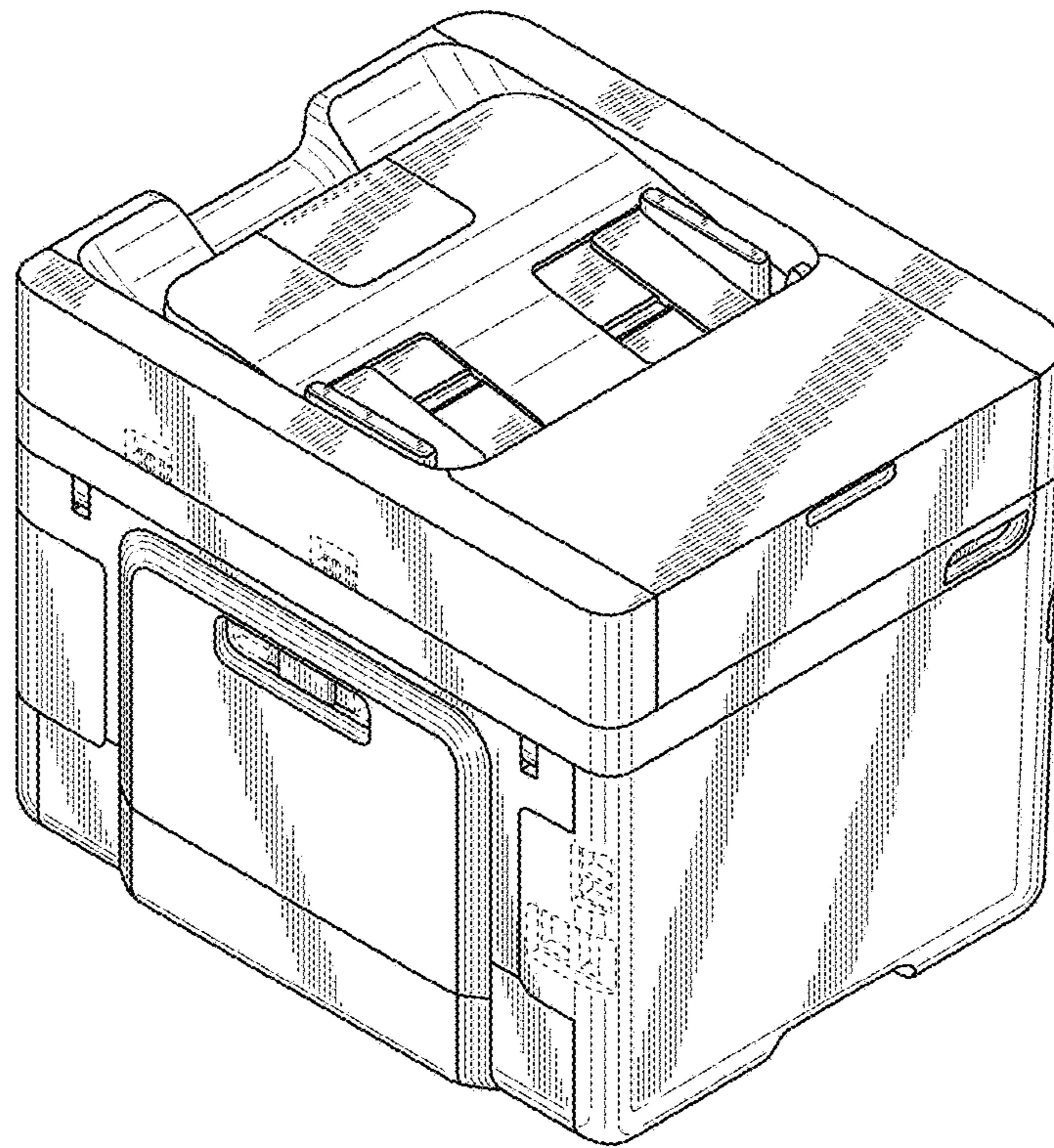


FIG. 3

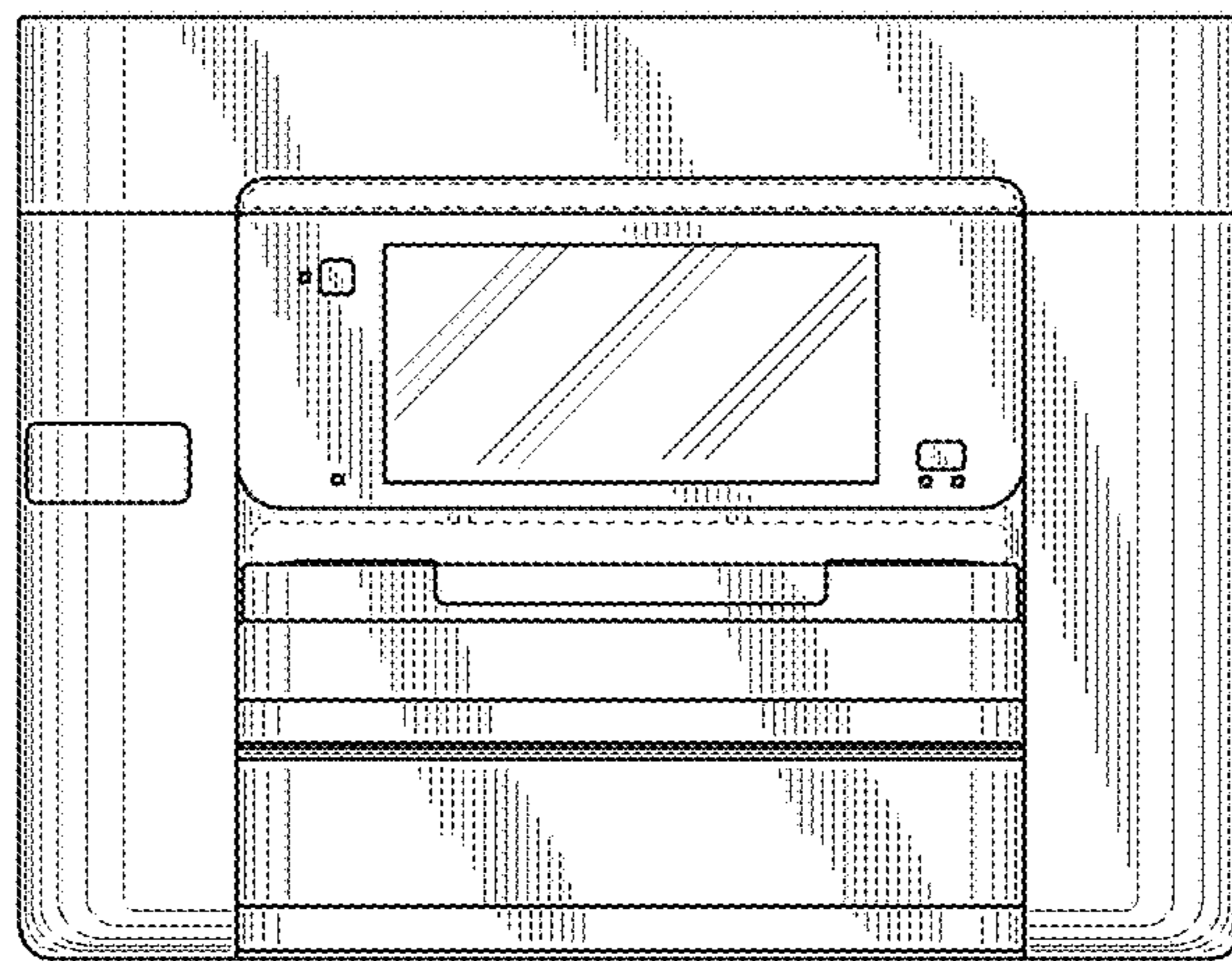


FIG. 4

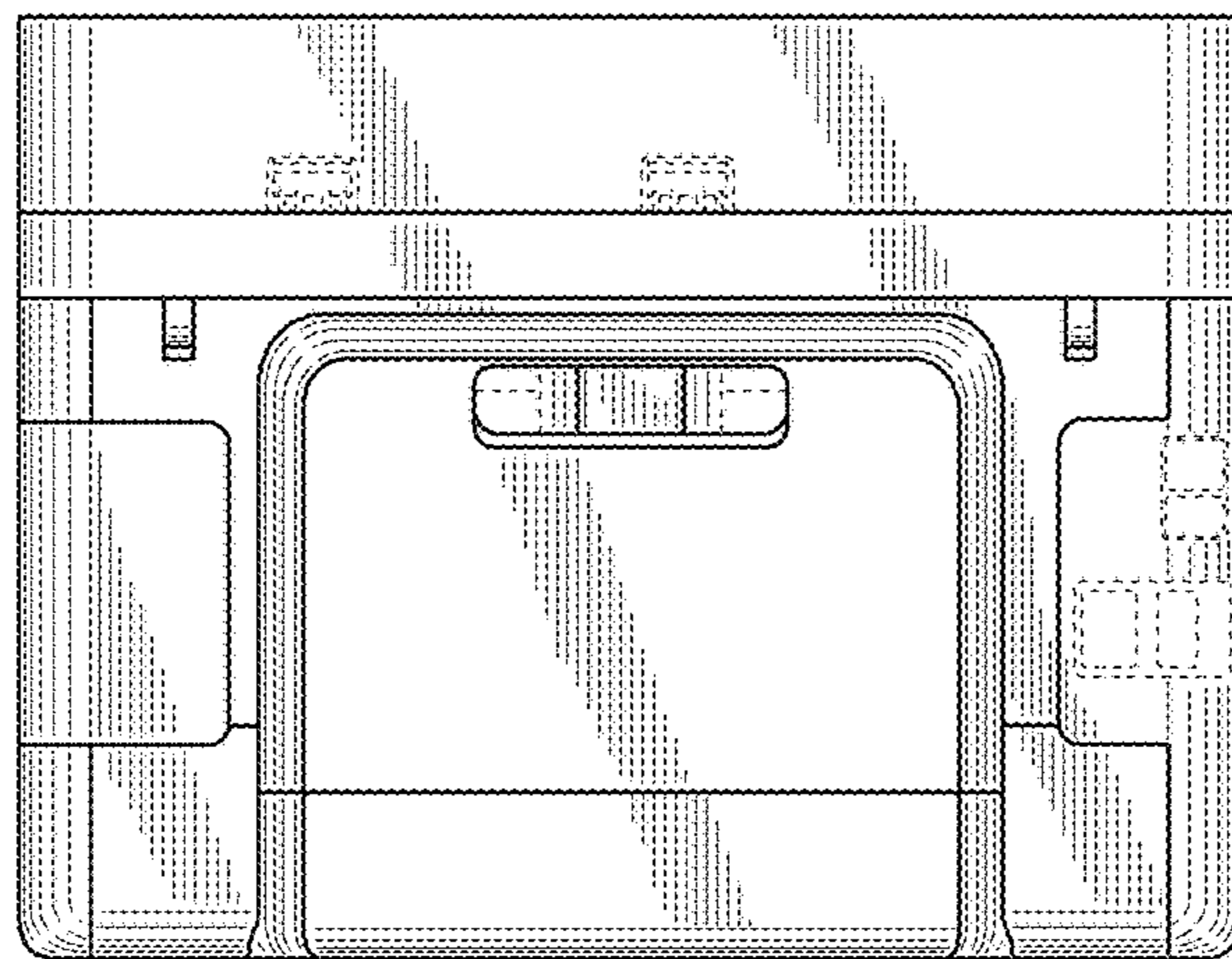


FIG. 5

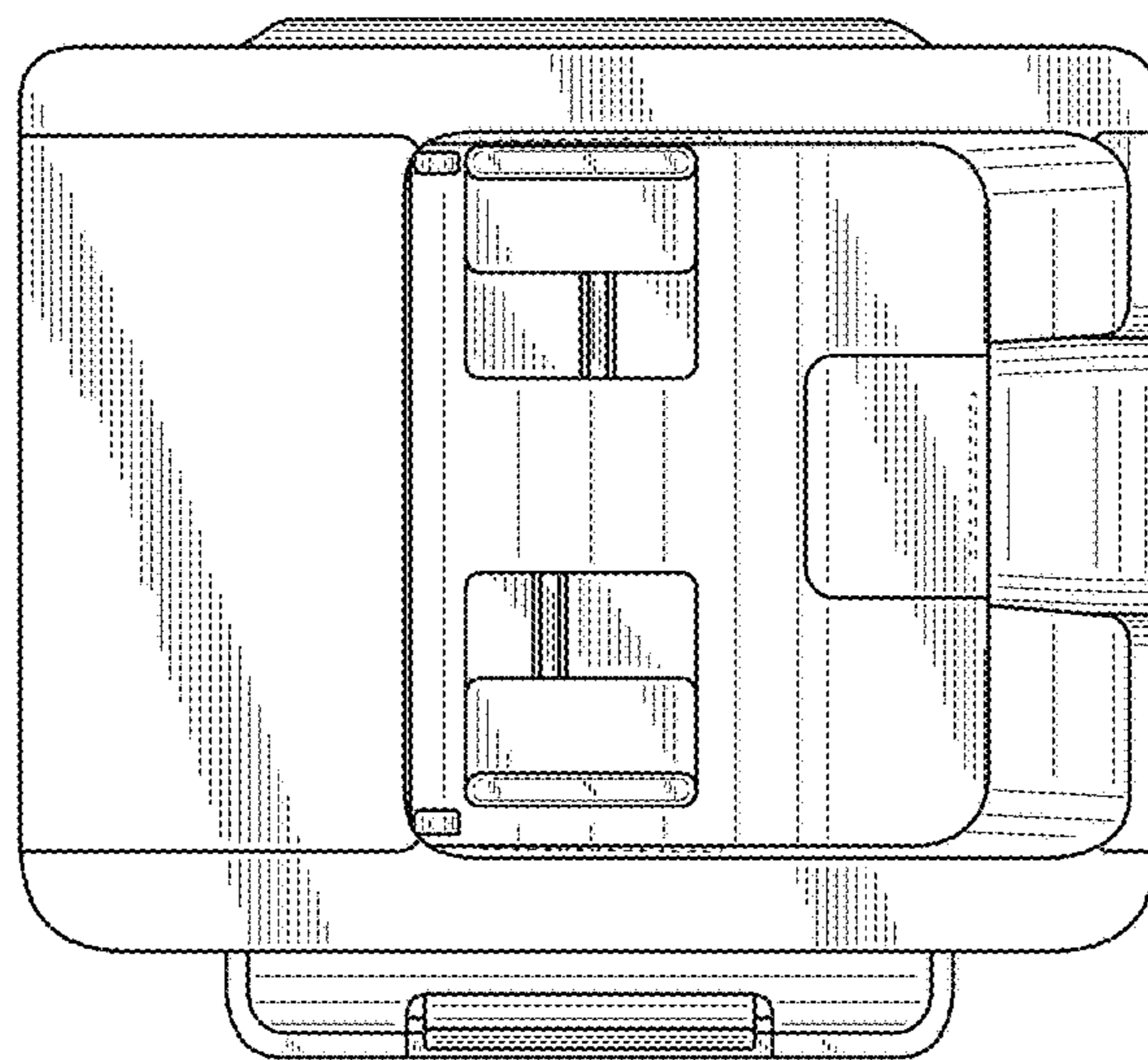


FIG. 6

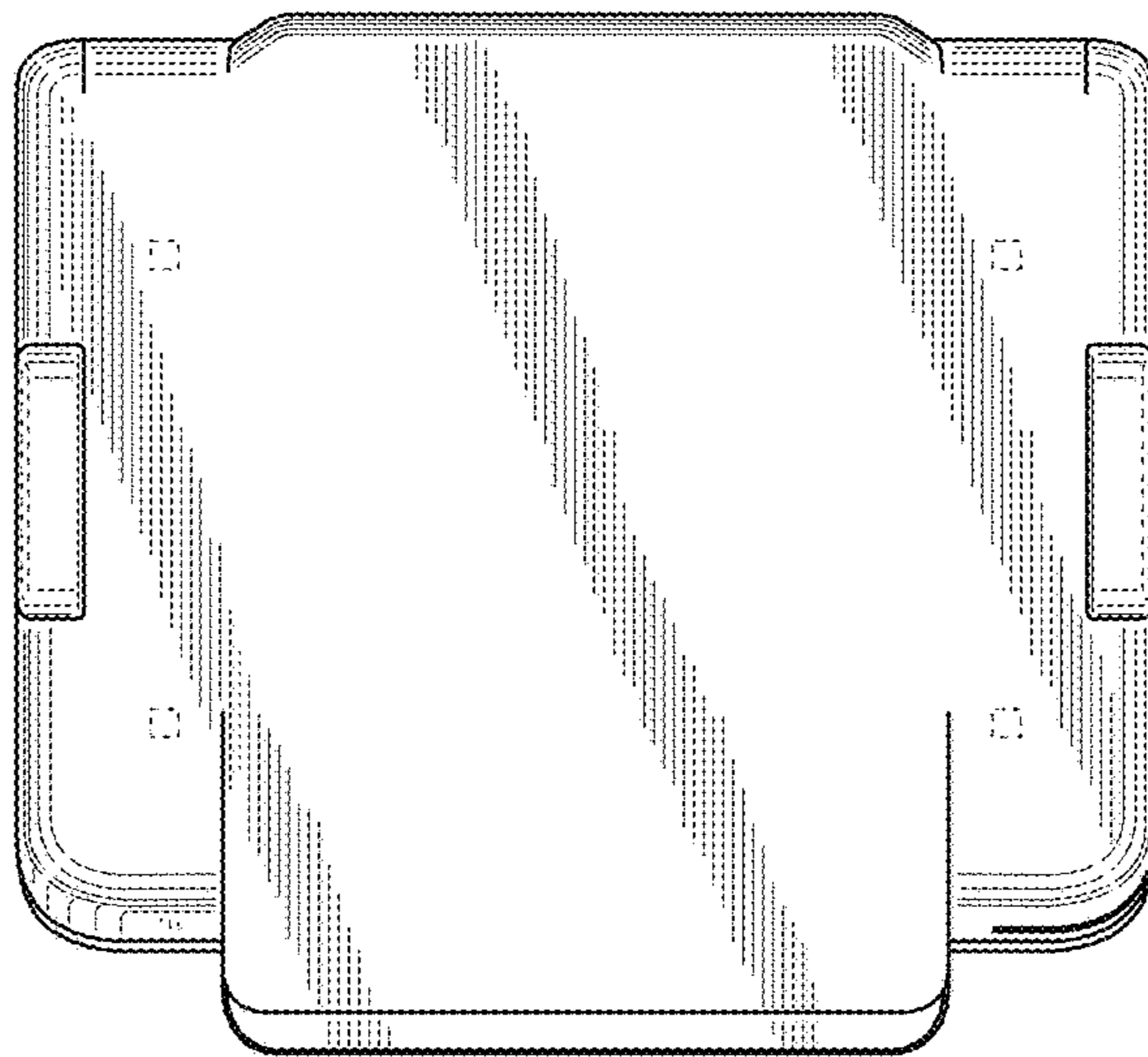


FIG. 7

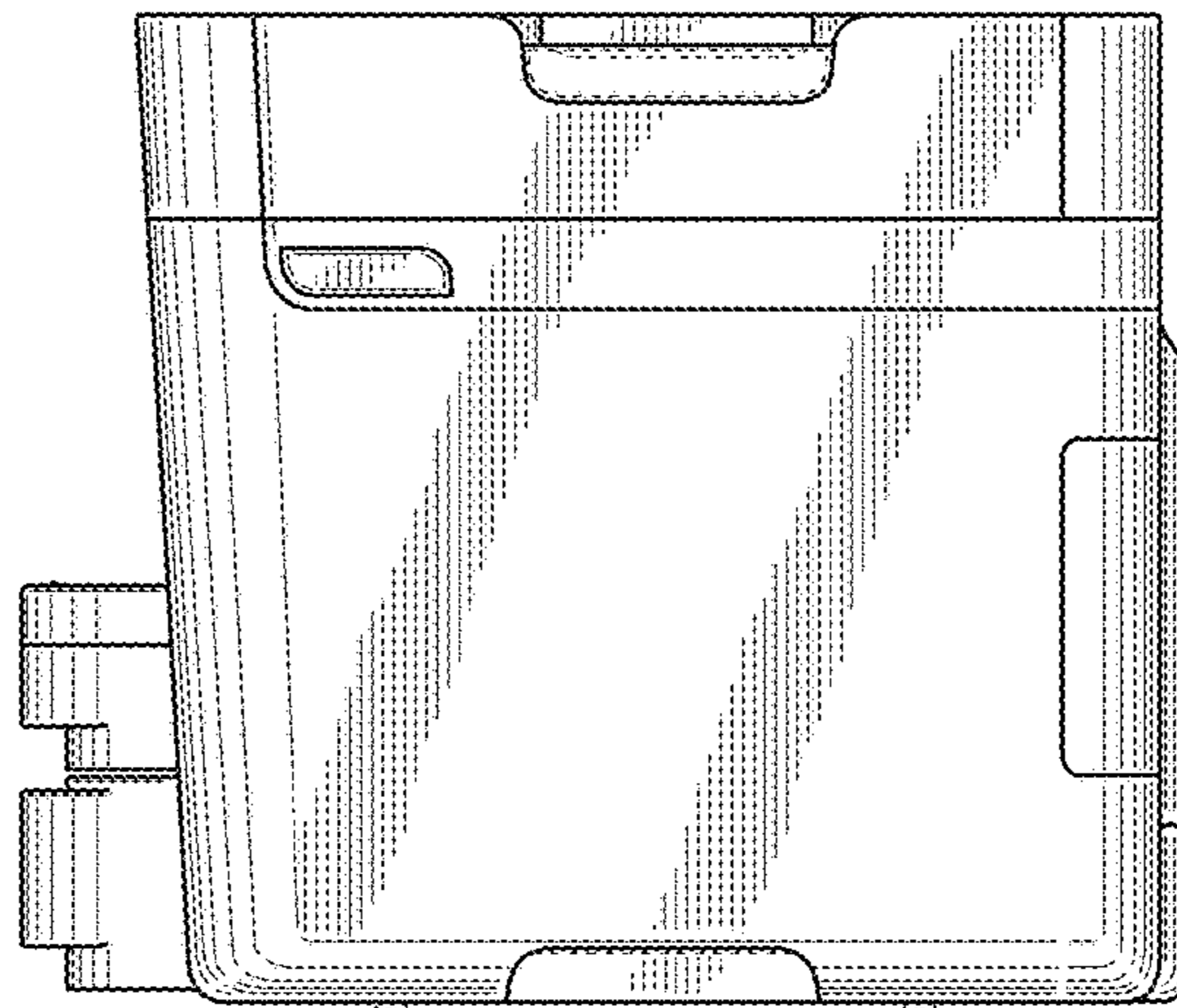


FIG. 8

