



US00D843443S

(12) **United States Design Patent**
Kawai et al.

(10) **Patent No.:** **US D843,443 S**
(45) **Date of Patent:** **** Mar. 19, 2019**

(54) **PROCESS CARTRIDGE FOR IMAGE FORMING APPARATUS**

(71) Applicant: **CANON KABUSHIKI KAISHA**,
Tokyo (JP)

(72) Inventors: **Tachio Kawai**, Tokyo (JP); **Masaaki Sato**, Tokyo (JP); **Hiroyuki Munetsugu**, Tokyo (JP); **Koji Wada**, Tokyo (JP); **Yosuke Kashiide**, Tokyo (JP); **Naoki Hayashi**, Tokyo (JP); **Takashi Kimura**, Tokyo (JP); **Goshi Ozaki**, Tokyo (JP); **Yu Fukasawa**, Tokyo (JP); **Masanori Kudo**, Tokyo (JP); **Hideki Nagae**, Tokyo (JP); **Kensuke Sato**, Tokyo (JP)

(73) Assignee: **Canon Kabushiki Kaisha**, Tokyo (JP)

(**) Term: **15 Years**

(21) Appl. No.: **35/502,993**

(22) Filed: **Nov. 18, 2016**

(80) **Hague Agreement Data**

Int. Filing Date: **Nov. 18, 2016**

Int. Reg. No.: **DM/094163**

Int. Reg. Date: **Nov. 18, 2016**

Int. Reg. Pub. Date: **May 19, 2017**

(30) **Foreign Application Priority Data**

May 26, 2016 (JP) 2016-011234

(51) **LOC (11) Cl.** **16-03**

(52) **U.S. Cl.**
USPC **D18/43**

(58) **Field of Classification Search**

USPC D18/36, 37, 39, 40, 41, 44, 45, 46, 47, D18/48, 49, 50, 51, 52, 53, 54, 55, 56; D14/129, 130, 301, 307, 462, 463, 464, D14/465, 466, 467, 468, 469, 470, 471

CPC B41J 3/00; B41J 3/28; B41J 3/445; B41J 3/46; B65H 11/00; B65H 11/002; B65H 2301/331; B65H 29/46; G03B 27/04;

G03B 27/08; G03B 27/14; G03B 27/16; G03G 15/00; G03G 15/04; G03G 15/23; G03G 15/28; G03G 15/50; G03G 15/55; G03G 15/60; G03G 15/65; G03G 15/221; G03G 15/5075; G03G 15/6558; G03G 15/0832;

(Continued)

(56) **References Cited**

U.S. PATENT DOCUMENTS

D362,014 S * 9/1995 Ishibashi D18/40
D374,250 S * 10/1996 Yabuki D18/40

(Continued)

OTHER PUBLICATIONS

Copending, unpublished Design U.S. Appl. No. 29/529,581 to Shinjiro Toba, et al., filed Jun. 9, 2015.

(Continued)

Primary Examiner — Darlington Ly

(74) *Attorney, Agent, or Firm* — Venable LLP

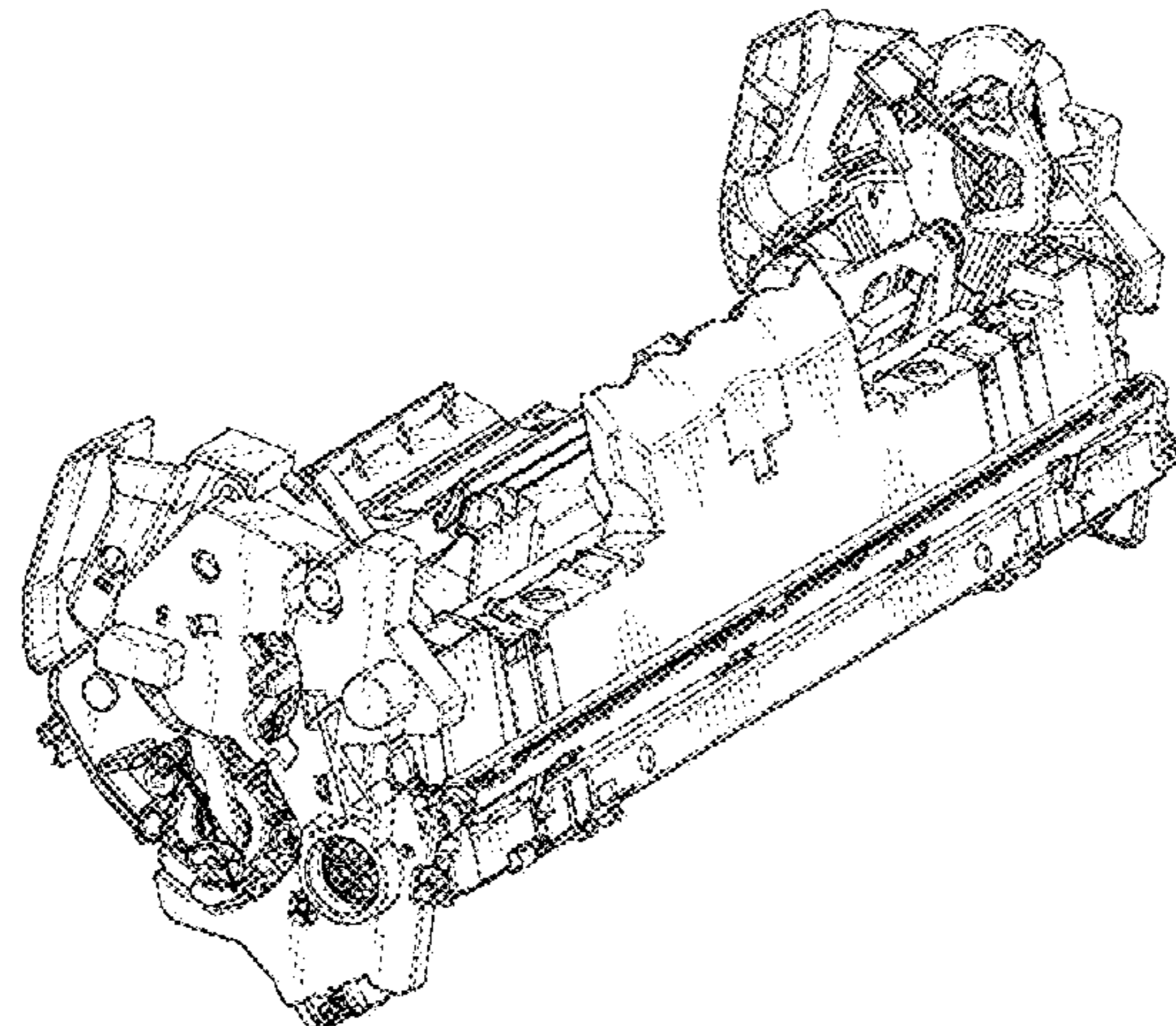
(57) **CLAIM**

The ornamental design for a process cartridge for image forming apparatus, as shown and described.

DESCRIPTION

1. Process cartridge for image forming apparatus
- 1.1 is a front elevation view of a process cartridge for image forming apparatus showing our new design;
- 1.2 is a rear elevation view thereof;
- 1.3 is a top plan view thereof;
- 1.4 is a bottom plan view thereof;
- 1.5 is a left side elevation view thereof;
- 1.6 is a right side elevation view thereof;
- 1.7 is a bottom, rear, and left side perspective view thereof; and
- 1.8 is a top, front, and right side perspective view thereof.

1 Claim, 8 Drawing Sheets



(58) **Field of Classification Search**

CPC G03G 15/0834; G03G 15/0836; G03G 15/0837; G03G 15/0877; G03G 15/0867; G03G 15/0868; G03G 15/0872; G03G 15/0898; G03G 15/5016; G03G 15/0841; G03G 21/1853; G03G 21/20; G03G 21/18; G03G 21/08; G03G 21/16; G03G 2221/1654; G03G 2221/183; G03G 2221/1684; G03G 2221/1645; G03F 7/70716; G06K 15/12; G06K 15/14; H04N 1/00204; H04N 1/00249; H04N 1/00278; H04N 1/00602; H04N 1/00631

See application file for complete search history.

(56)

References Cited

U.S. PATENT DOCUMENTS

D374,455 S * 10/1996 Senshiki D18/40
 D377,662 S * 1/1997 Ootani D18/40
 D397,140 S * 8/1998 Oshida D18/40
 D410,676 S * 6/1999 Kurabayashi D18/40
 D460,980 S * 7/2002 Matsuzaki D18/40
 D462,984 S 9/2002 Hayashi et al.
 D501,021 S * 1/2005 Saiki D18/40
 D509,533 S * 9/2005 Karakama D18/40
 D521,545 S * 5/2006 Ishii D18/40
 D523,894 S * 6/2006 Ishii D18/40
 D524,359 S * 7/2006 Karakama D18/40
 D546,382 S * 7/2007 Noh D18/43
 D565,094 S * 3/2008 Sasaki D18/43
 D583,860 S * 12/2008 Kubota D18/43
 D584,343 S * 1/2009 Kwon D18/43
 D588,190 S * 3/2009 Kamimura D18/43
 D596,663 S * 7/2009 Kamimura D18/43
 D599,846 S 9/2009 Yasui et al.
 D614,691 S * 4/2010 Abe D18/43
 D622,308 S * 8/2010 Kubota D18/43
 D622,309 S * 8/2010 Kubota D18/43
 D631,088 S 1/2011 Chadani et al.

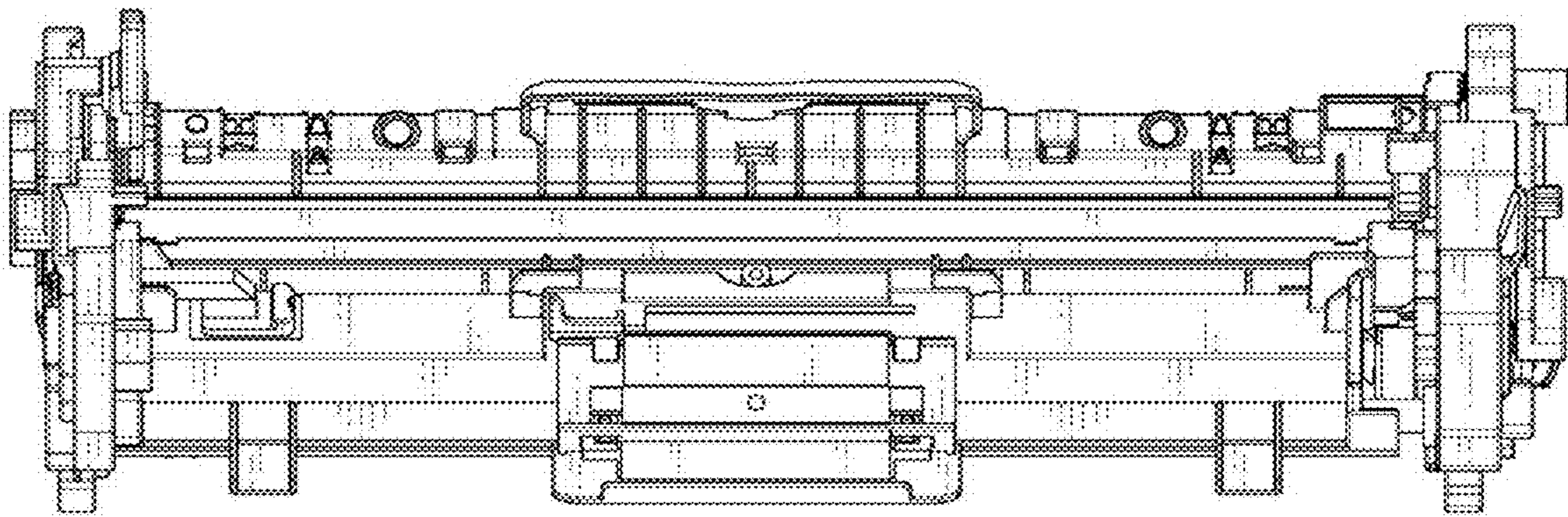
D631,089 S 1/2011 Chadani et al.
 D631,090 S 1/2011 Chadani et al.
 D631,091 S 1/2011 Chadani et al.
 D632,731 S * 2/2011 Abe D18/43
 D633,137 S 2/2011 Chadani et al.
 D638,056 S 5/2011 Kanno et al.
 D638,057 S 5/2011 Kanno et al.
 D639,335 S 6/2011 Kanno et al.
 D639,846 S 6/2011 Kanno et al.
 D652,862 S * 1/2012 Mori D18/43
 8,275,285 B2 * 9/2012 Kawakami G03G 21/1842
 399/107
 D718,379 S * 11/2014 Sakuma D18/43
 D786,962 S 5/2017 Toba et al.
 D786,968 S 5/2017 Uratani et al.
 D791,224 S 7/2017 Toba et al.
 D791,862 S 7/2017 Toba et al.
 D796,574 S 9/2017 Kamoshida et al.
 D798,948 S 10/2017 Toba et al.
 D798,949 S 10/2017 Toba et al.
 D807,955 S 1/2018 Toba et al.
 D823,380 S * 7/2018 Uratani D18/43
 D823,938 S * 7/2018 Uratani D18/43
 2007/0071496 A1 * 3/2007 Lee G03G 21/1853
 399/111

OTHER PUBLICATIONS

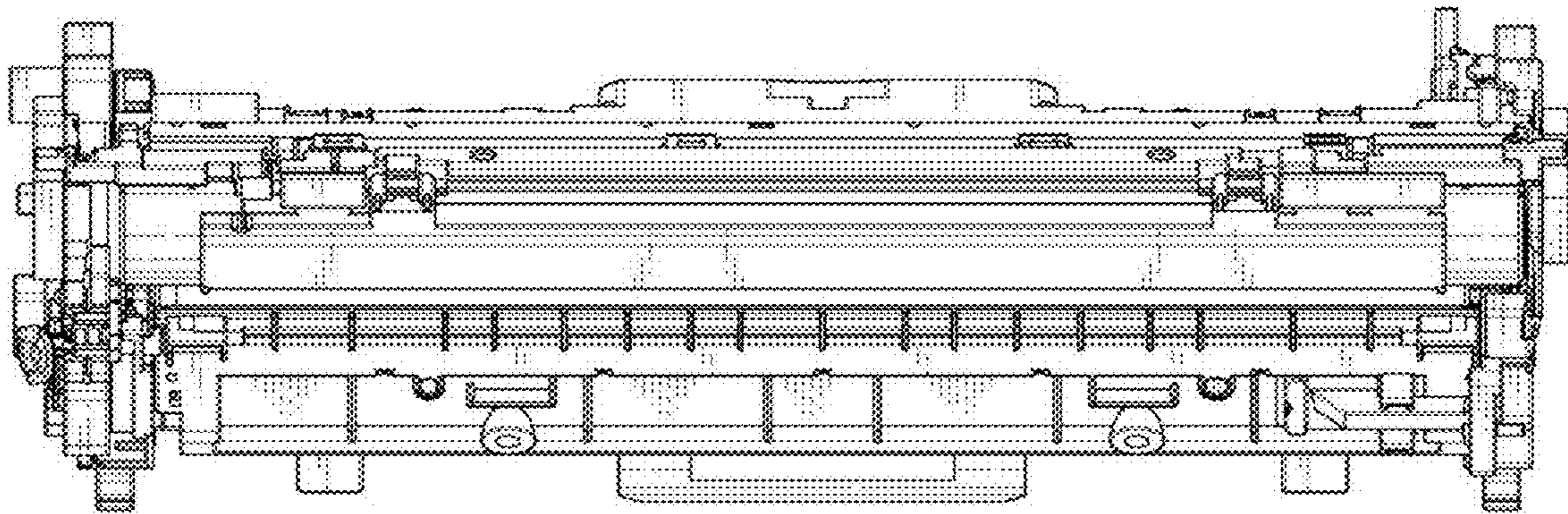
Copending, unpublished Design U.S. Appl. No. 29/546,566 to Shinjiro Toba, et al., filed Nov. 24, 2015.
 Copending, unpublished Design U.S. Appl. No. 29/586,991 to Shinjiro Toba, et al., filed Dec. 8, 2016.
 Copending, unpublished Design U.S. Appl. No. 29/546,569 to Shinjiro Toba, et al., filed Nov. 24, 2015.
 Copending, unpublished Design U.S. Appl. No. 29/552,153 to Shunsuke Uratani, et al., filed Jan. 20, 2016.
 Copending, unpublished Design U.S. Appl. No. 29/552,142 to Shunsuke Uratani, et al., filed Jan. 20, 2016.
 Copending, unpublished Design U.S. Appl. No. 29/552,140 to Shigemi Kamoshida, et al., filed Jan. 20, 2016.

* cited by examiner

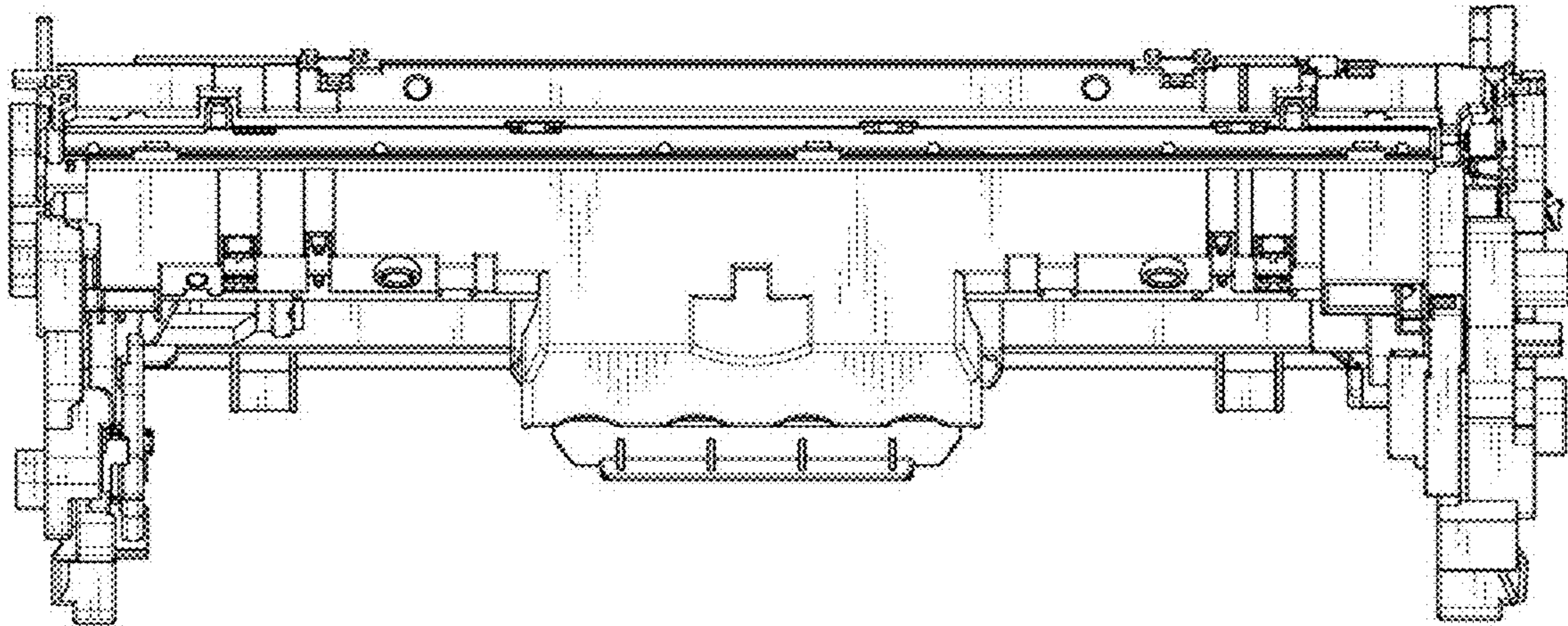
1.1



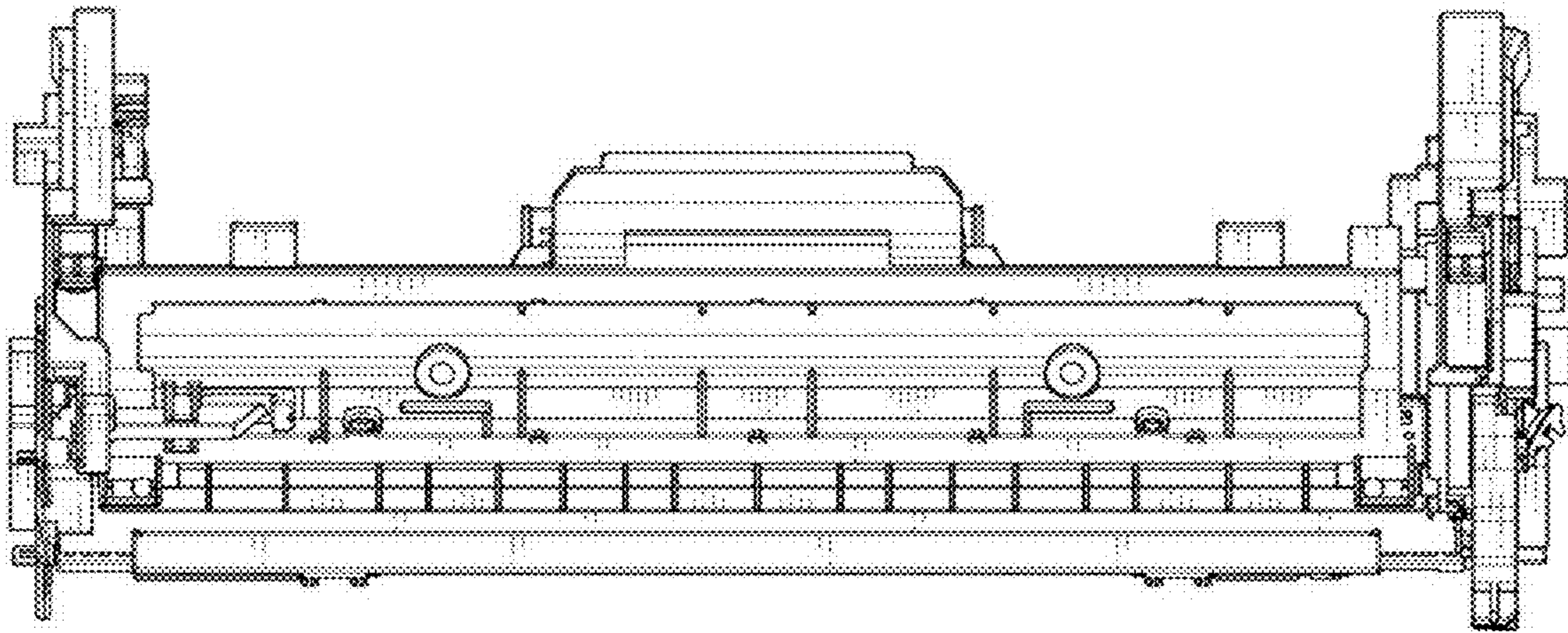
1.2



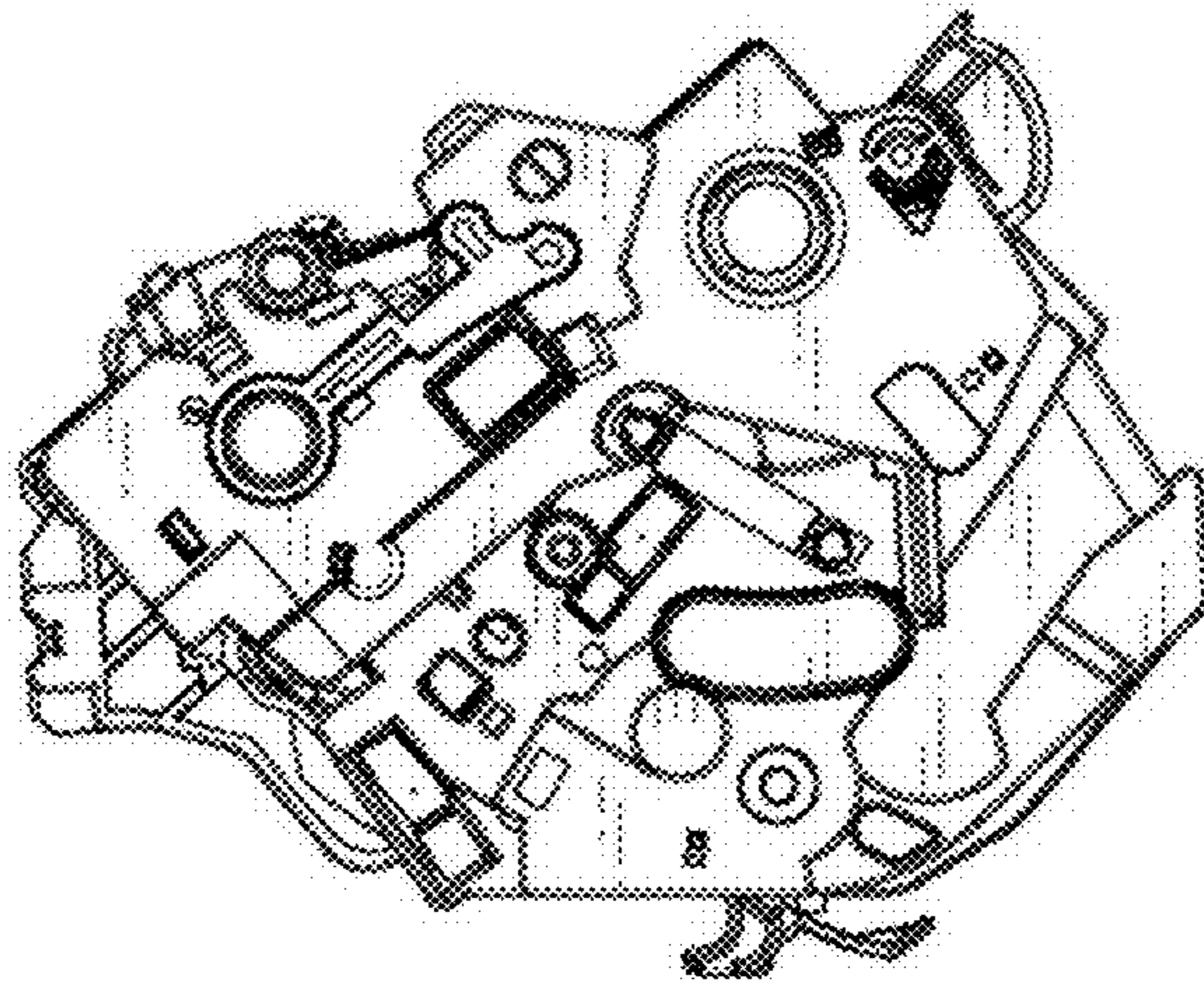
1.3



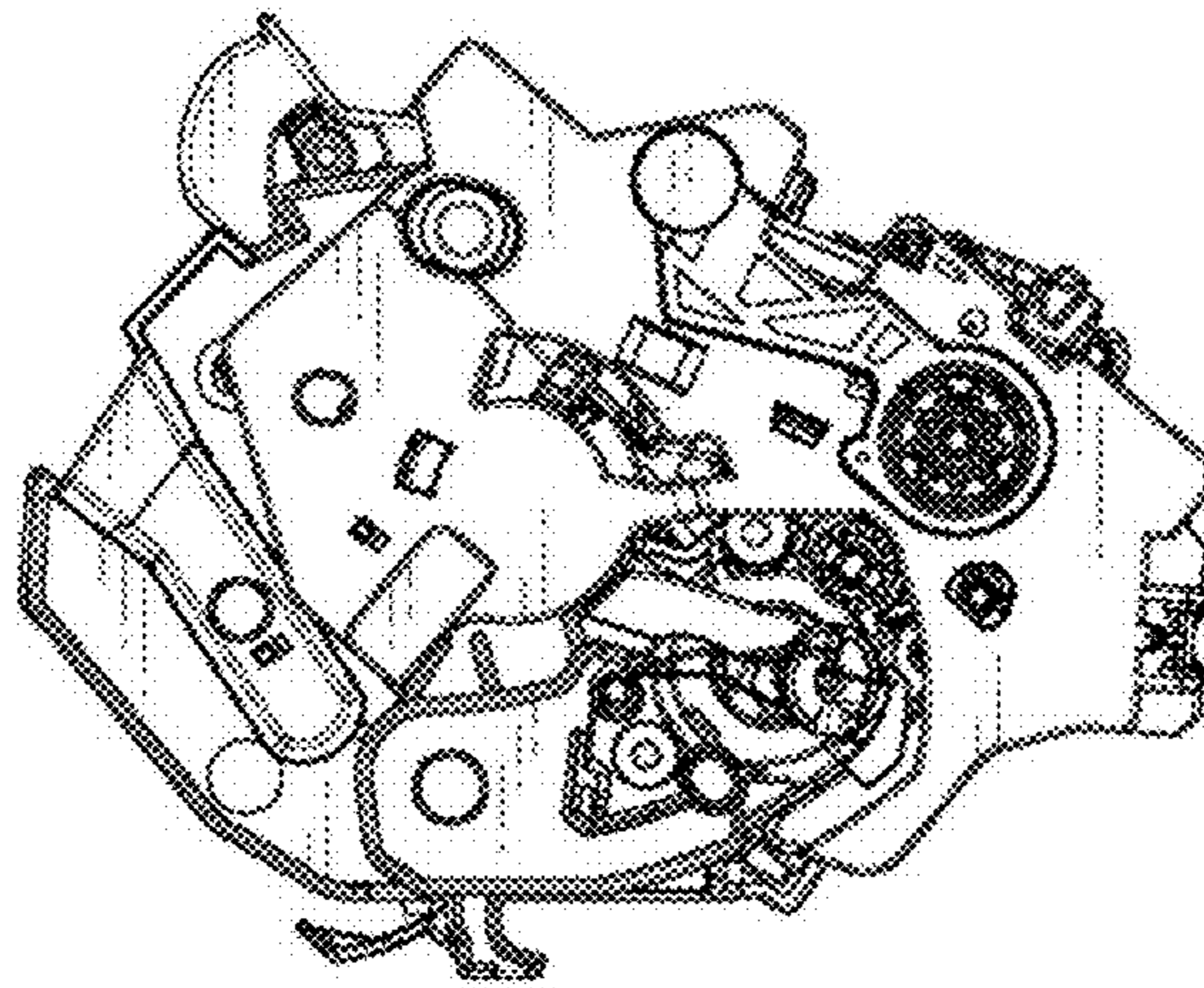
1.4



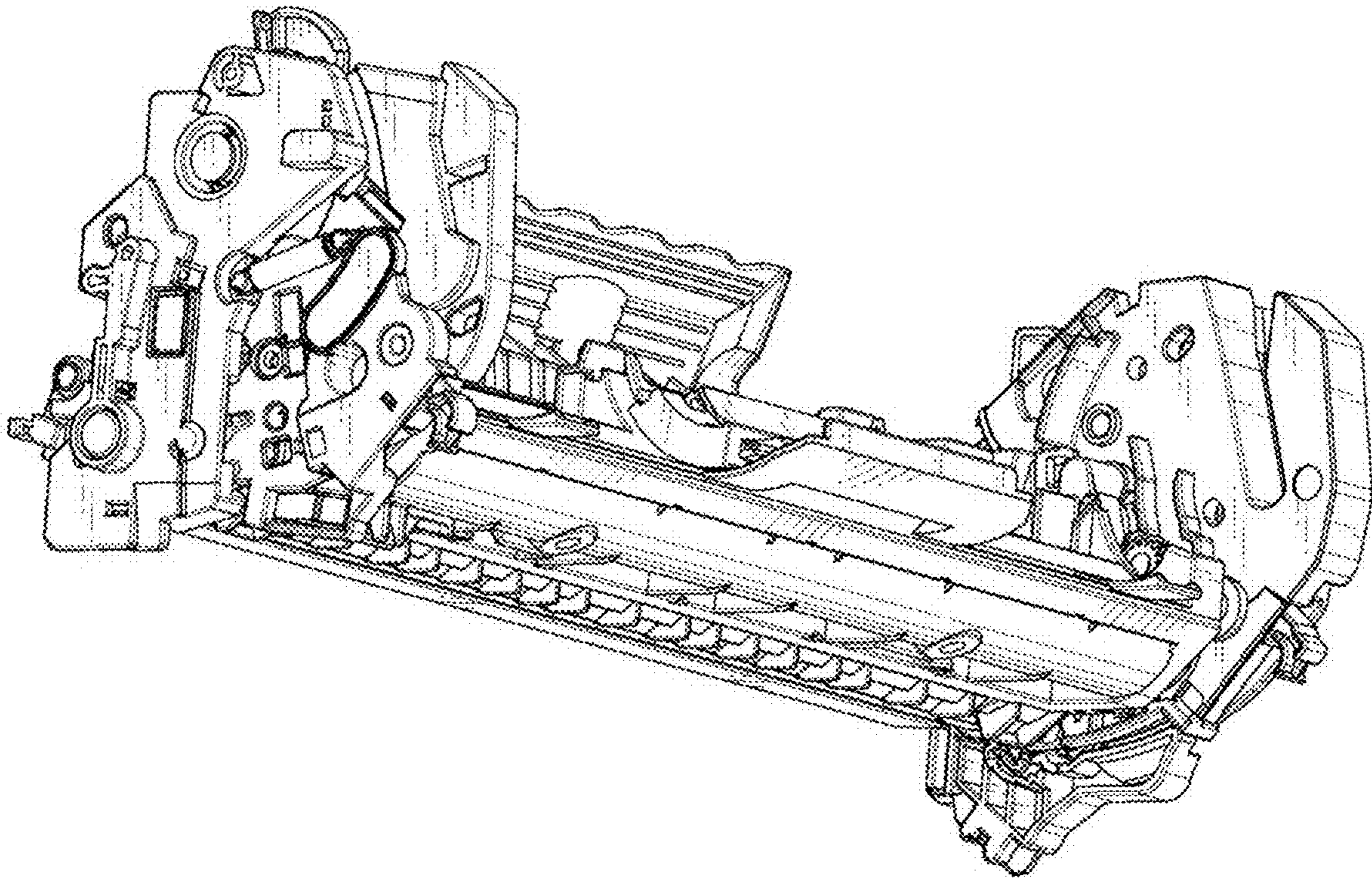
1.5



1.6



1.7



1.8

