



US00D843435S

(12) **United States Design Patent**
Balmer

(10) **Patent No.:** **US D843,435 S**
(45) **Date of Patent:** **** Mar. 19, 2019**

(54) **PAN AND TILT BODY WITH DEVICE MOUNTING CLAMP ON A TRIPOD**

(71) Applicant: **Daymen US, Inc.**, Petaluma, CA (US)

(72) Inventor: **Noah Balmer**, Santa Rosa, CA (US)

(73) Assignee: **Vitec Holdings Italia SRL**, Cassola (IT)

(**) Term: **15 Years**

(21) Appl. No.: **29/604,168**

(22) Filed: **May 16, 2017**

(51) **LOC (11) Cl.** **16-05**

(52) **U.S. Cl.**

USPC **D16/244**; D16/242

(58) **Field of Classification Search**

USPC D16/219, 237-250; D14/224, 229, 238, D14/251, 447, 451, 457; D8/354, 355, D8/363, 373, 382, 383, 394, 395, 396

(Continued)

(56) **References Cited**

U.S. PATENT DOCUMENTS

D427,890 S * 7/2000 Griffin D8/355
D607,036 S * 12/2009 Darrow D16/242

(Continued)

OTHER PUBLICATIONS

GorillaPod Action Tripod GoPro. [online] Retrieved Apr. 24, 2018 from URL: <https://www.walmart.com/ip/GorillaPod-Action-Tripod-GoPro/43658968>.*

Primary Examiner — Vy N Koenig

(74) *Attorney, Agent, or Firm* — Michael A. Guth

(57) **CLAIM**

The ornamental design for a pan and tilt body with device mounting clamp on a tripod, as shown and described.

DESCRIPTION

FIG. 1 is a front view of a pan and tilt body with device mounting clamp on a tripod in a first configuration with the clamp fully closed and the adjustment arm horizontal.

FIG. 2 is a back view of a pan and tilt body with device mounting clamp on a tripod in a first configuration with the clamp fully closed and the adjustment arm horizontal.

FIG. 3 is a top view of a pan and tilt body with device mounting clamp on a tripod in a first configuration with the clamp fully closed and the adjustment arm horizontal.

FIG. 4 is a bottom view of a pan and tilt body with device mounting clamp on a tripod in a first configuration with the clamp fully closed and the adjustment arm horizontal.

FIG. 5 is a left side view of a pan and tilt body with device mounting clamp on a tripod in a first configuration with the clamp fully closed and the adjustment arm horizontal.

FIG. 6 is a right side view of a pan and tilt body with device mounting clamp on a tripod in a first configuration with the clamp fully closed and the adjustment arm horizontal.

FIG. 7 is a front view of a pan and tilt body with device mounting clamp on a tripod in a second configuration with the clamp fully open and the adjustment arm horizontal.

FIG. 8 is a back view of a pan and tilt body with device mounting clamp on a tripod in a second configuration with the clamp fully open and the adjustment arm horizontal.

FIG. 9 is a left side view of a pan and tilt body with device mounting clamp on a tripod in a second configuration with the clamp fully open and the adjustment arm horizontal.

FIG. 10 is a right side view of a pan and tilt body with device mounting clamp on a tripod in a second configuration with the clamp fully open and the adjustment arm horizontal.

FIG. 11 is a front view of a pan and tilt body with device mounting clamp on a tripod in a third configuration with the clamp fully open and the adjustment arm vertically down.

FIG. 12 is a back view of a pan and tilt body with device mounting clamp on a tripod in a third configuration with the clamp fully open and the adjustment arm vertically down.

FIG. 13 is a top view of a pan and tilt body with device mounting clamp on a tripod in a third configuration with the clamp fully open and the adjustment arm vertically down.

FIG. 14 is a bottom view of a pan and tilt body with device mounting clamp on a tripod in a third configuration with the clamp fully open and the adjustment arm vertically down.

FIG. 15 is a left side view of a pan and tilt body with device mounting clamp on a tripod in a third configuration with the clamp fully open and the adjustment arm vertically down; and,

(Continued)

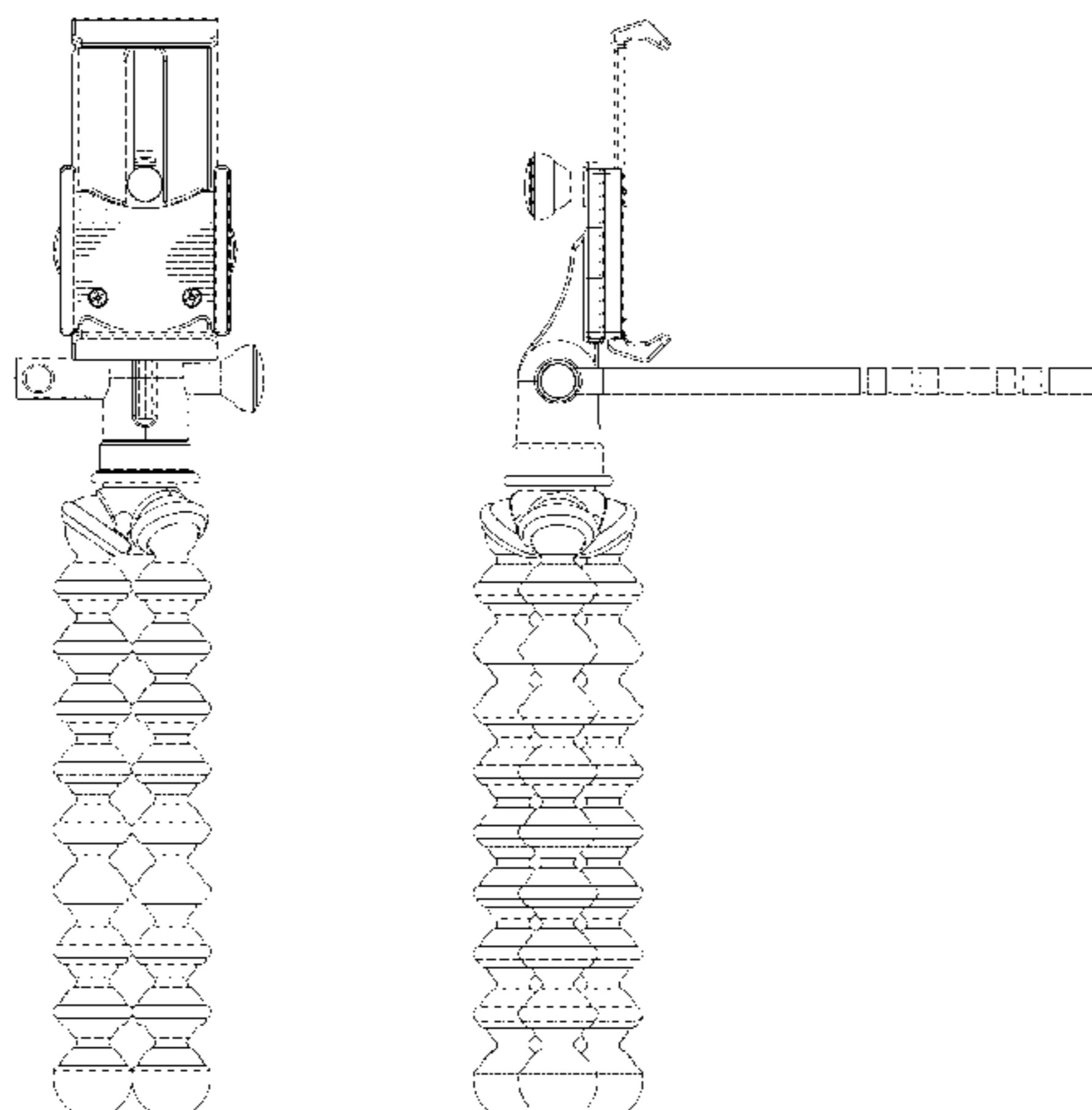


FIG. 16 is a right side view of a pan and tilt body with device mounting clamp in a on a tripod third configuration with the clamp fully open and the adjustment arm vertically down. The broken lines in the drawing depict portions of the pan and tilt body with device mounting clamp on a tripod that form no part of the claimed design.

1 Claim, 14 Drawing Sheets

(58) **Field of Classification Search**

CPC G03B 17/56; G03B 17/561–17/568; G02B 7/00–7/002; H04N 5/2253–5/2254; F16M 11/06–11/10; F16M 11/14; A45F 5/10
See application file for complete search history.

(56) **References Cited**

U.S. PATENT DOCUMENTS

D607,917 S * 1/2010 Darrow D16/242
D678,297 S * 3/2013 Willkomm D14/447

8,602,662 B1 * 12/2013 Mans F16M 11/041
248/160
8,696,153 B2 * 4/2014 Bevirt F16M 11/40
362/190
D716,642 S * 11/2014 Harges D8/380
D795,882 S * 8/2017 Maldonado D14/447
2004/0081450 A1 * 4/2004 Joy F16M 11/40
396/502
2007/0154254 A1 * 7/2007 Bevirt F16M 11/40
403/56
2008/0056808 A1 * 3/2008 Bevirt F16M 11/40
403/56
2009/0039213 A1 * 2/2009 Darrow B60R 11/02
248/163.1
2009/0101772 A1 * 4/2009 Bevirt F16M 11/40
248/180.1
2010/0220992 A1 * 9/2010 Bevirt F16M 11/40
396/428
2011/0199759 A1 * 8/2011 Bevirt F16M 11/40
362/187
2015/0358044 A1 * 12/2015 Barstead H04B 1/3888
455/575.1

* cited by examiner

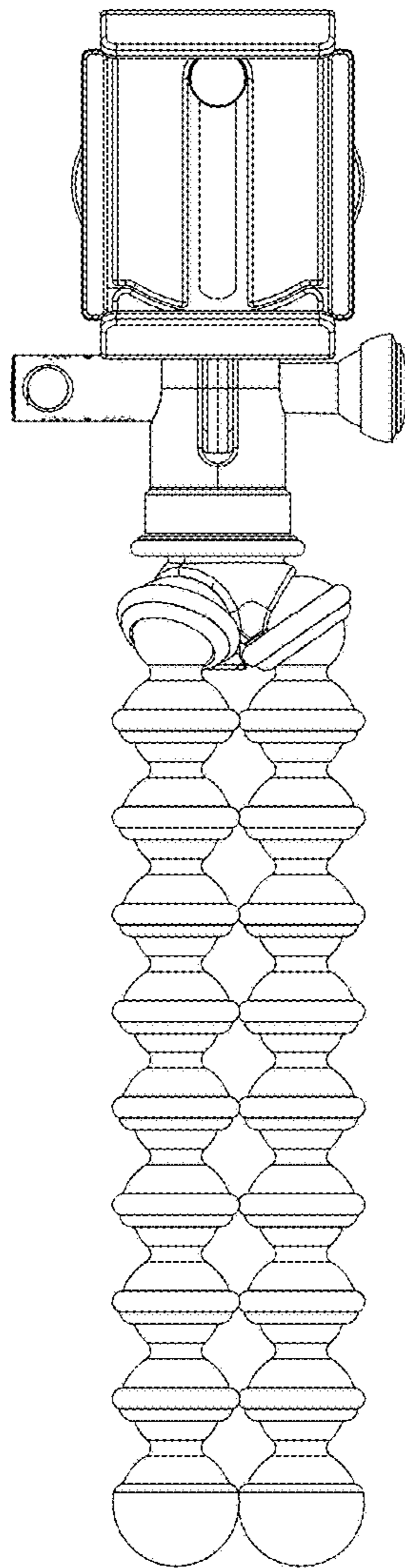


FIG. 1

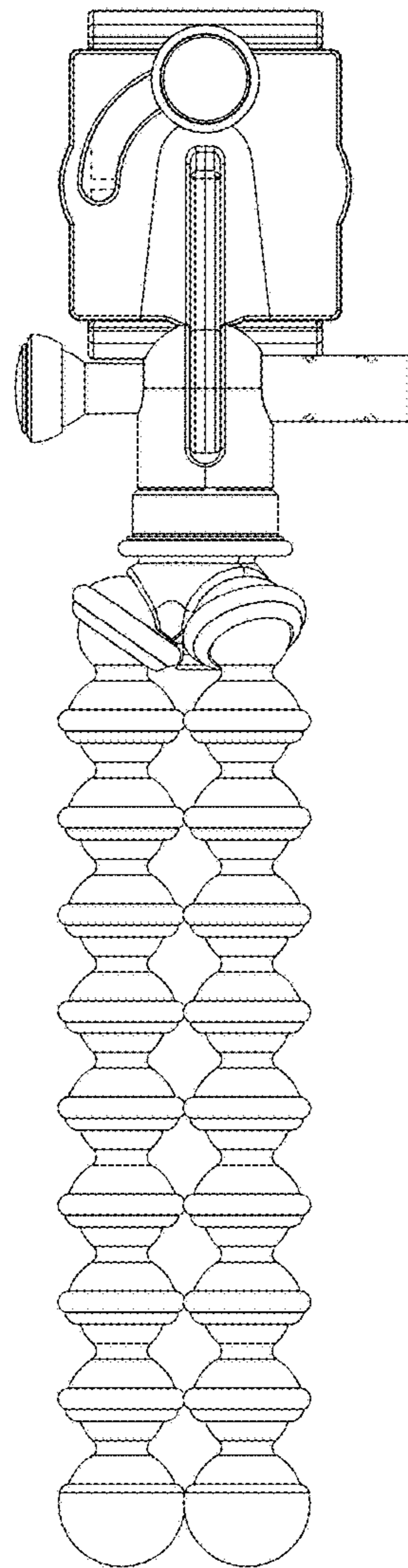


FIG. 2

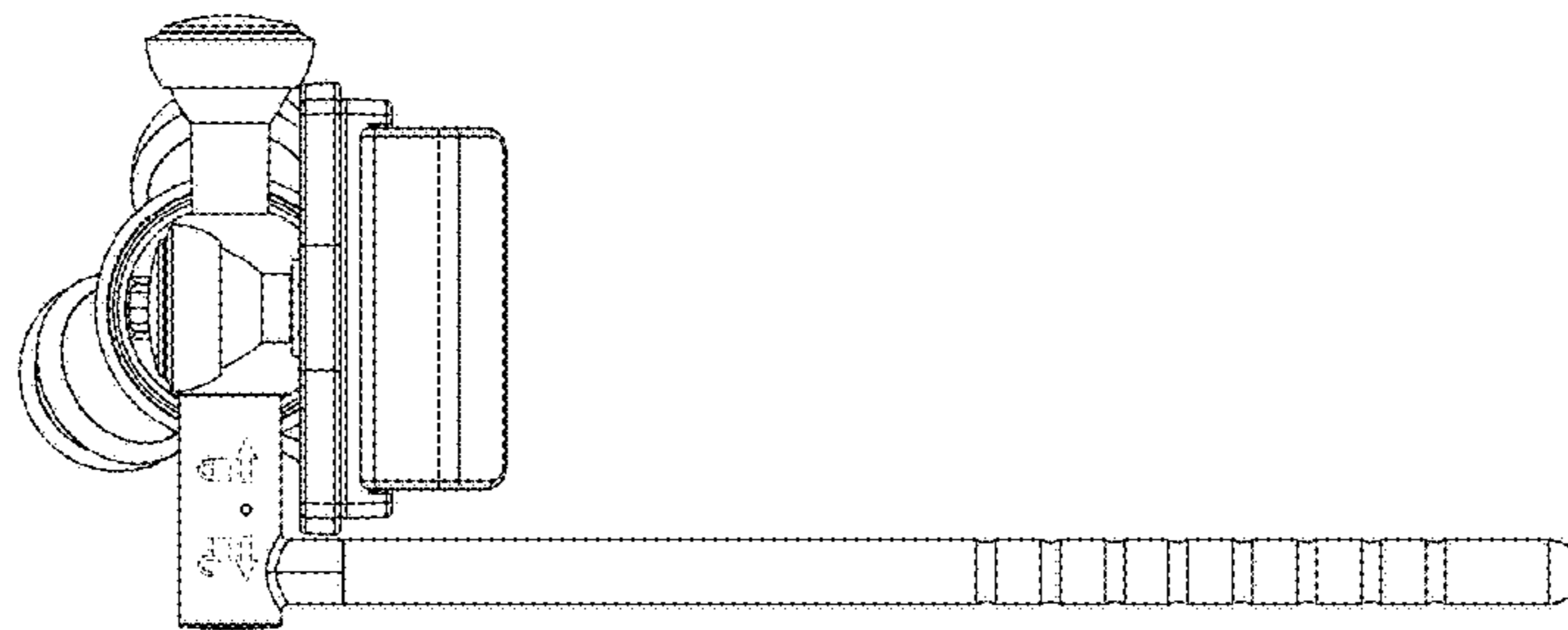


FIG. 3

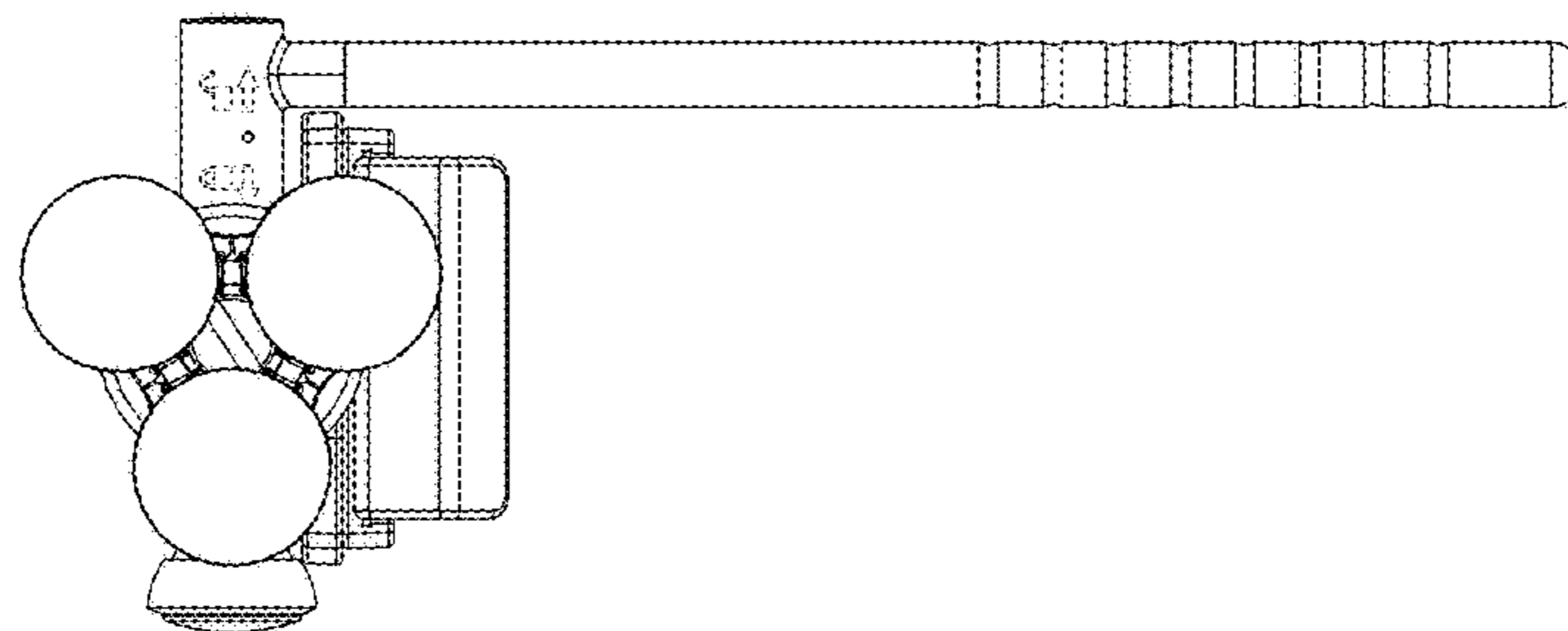


FIG. 4

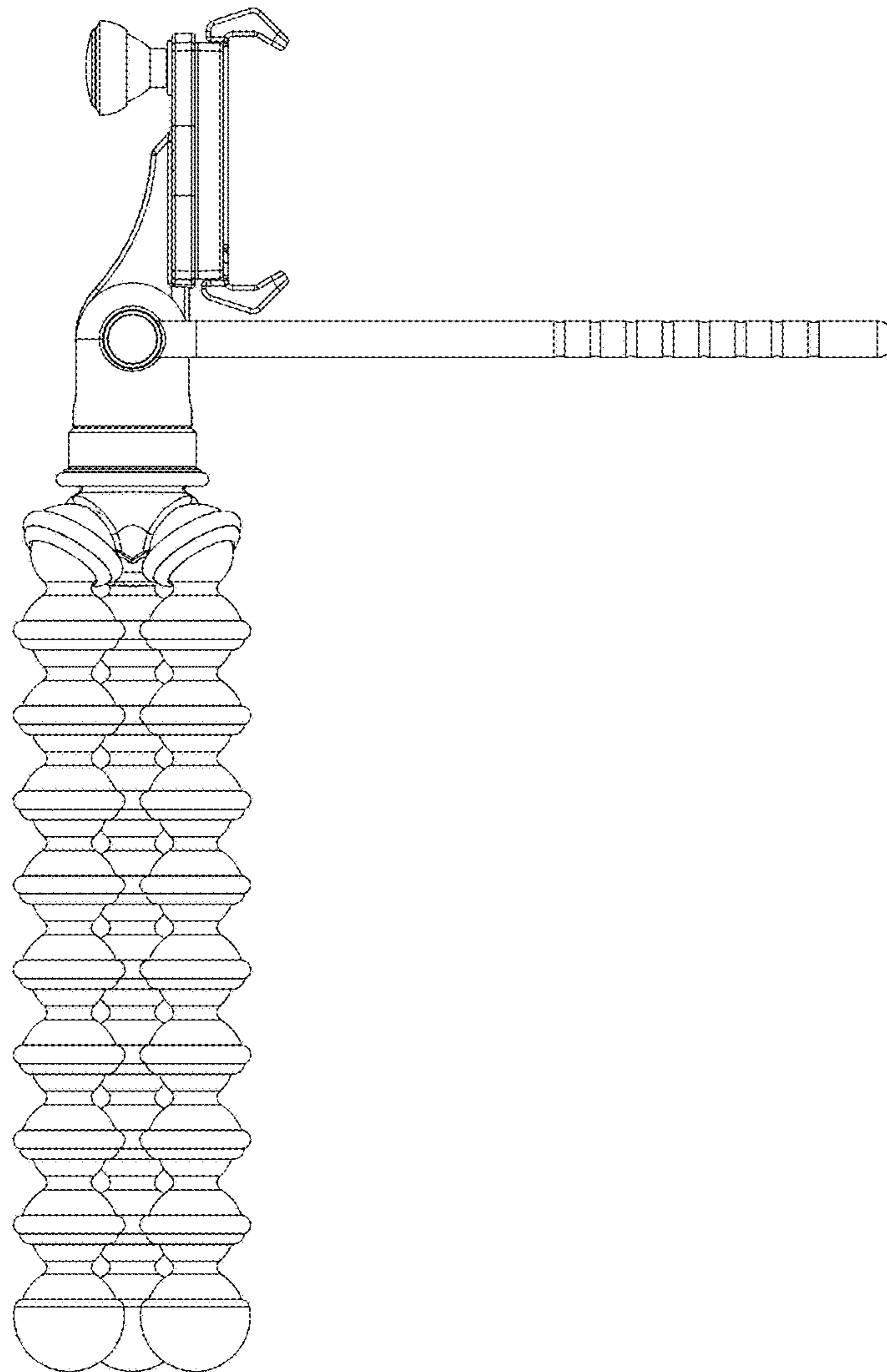


FIG. 5

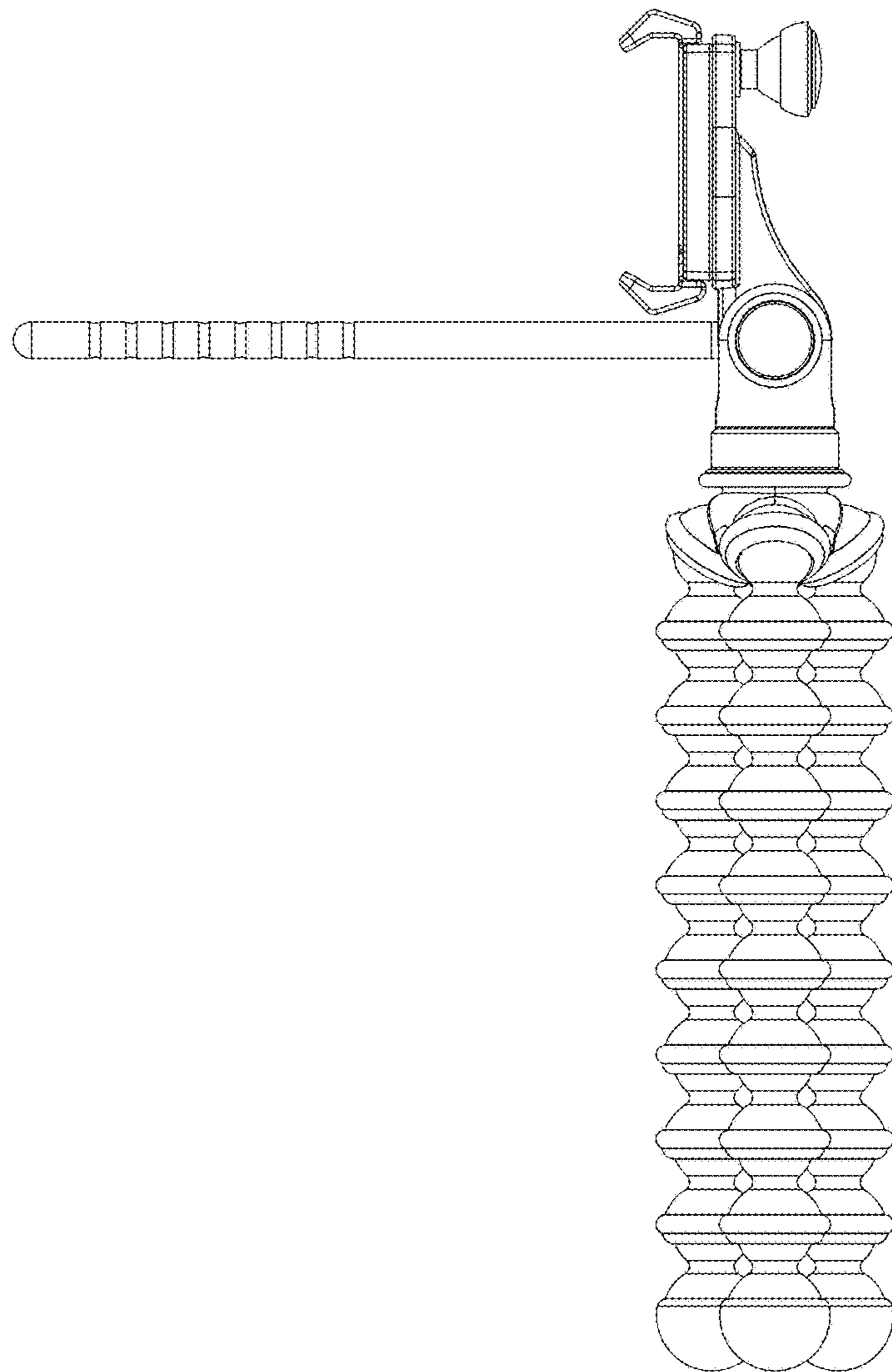


FIG. 6

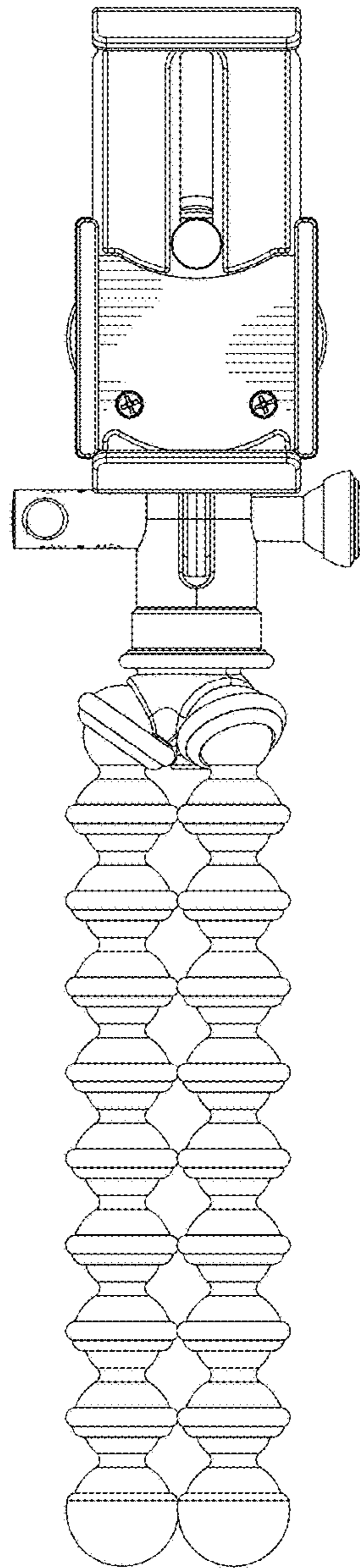


FIG. 7

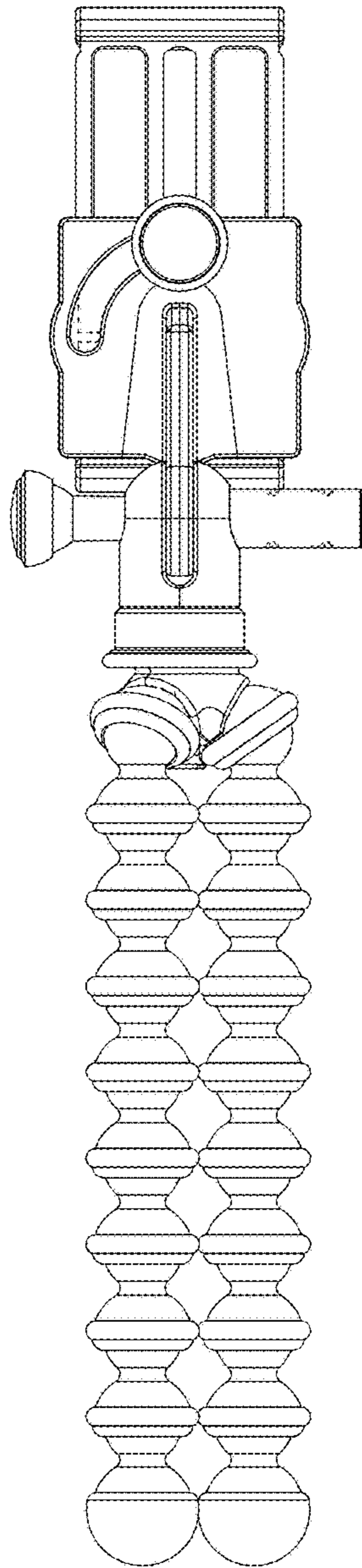


FIG. 8

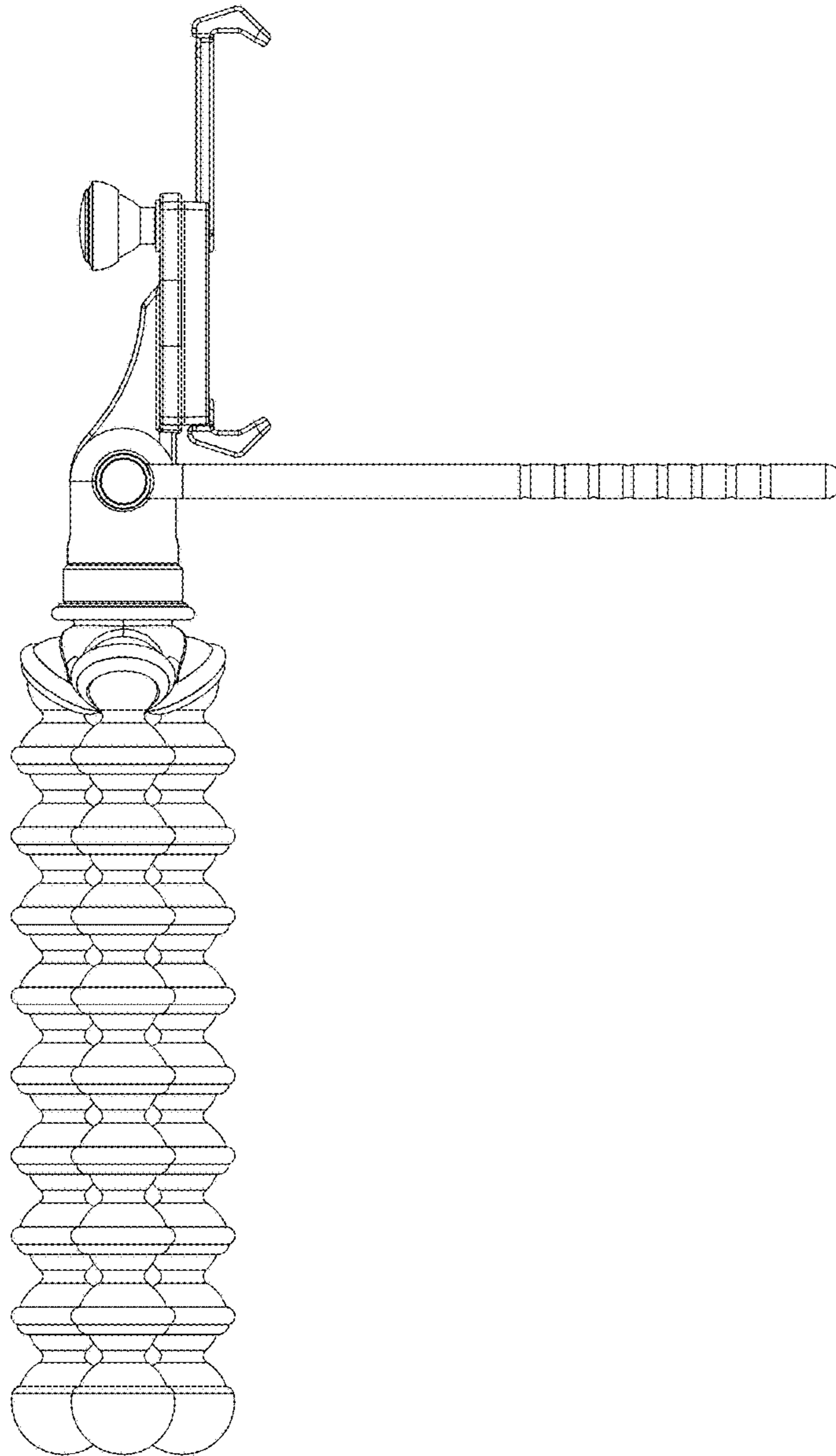


FIG. 9

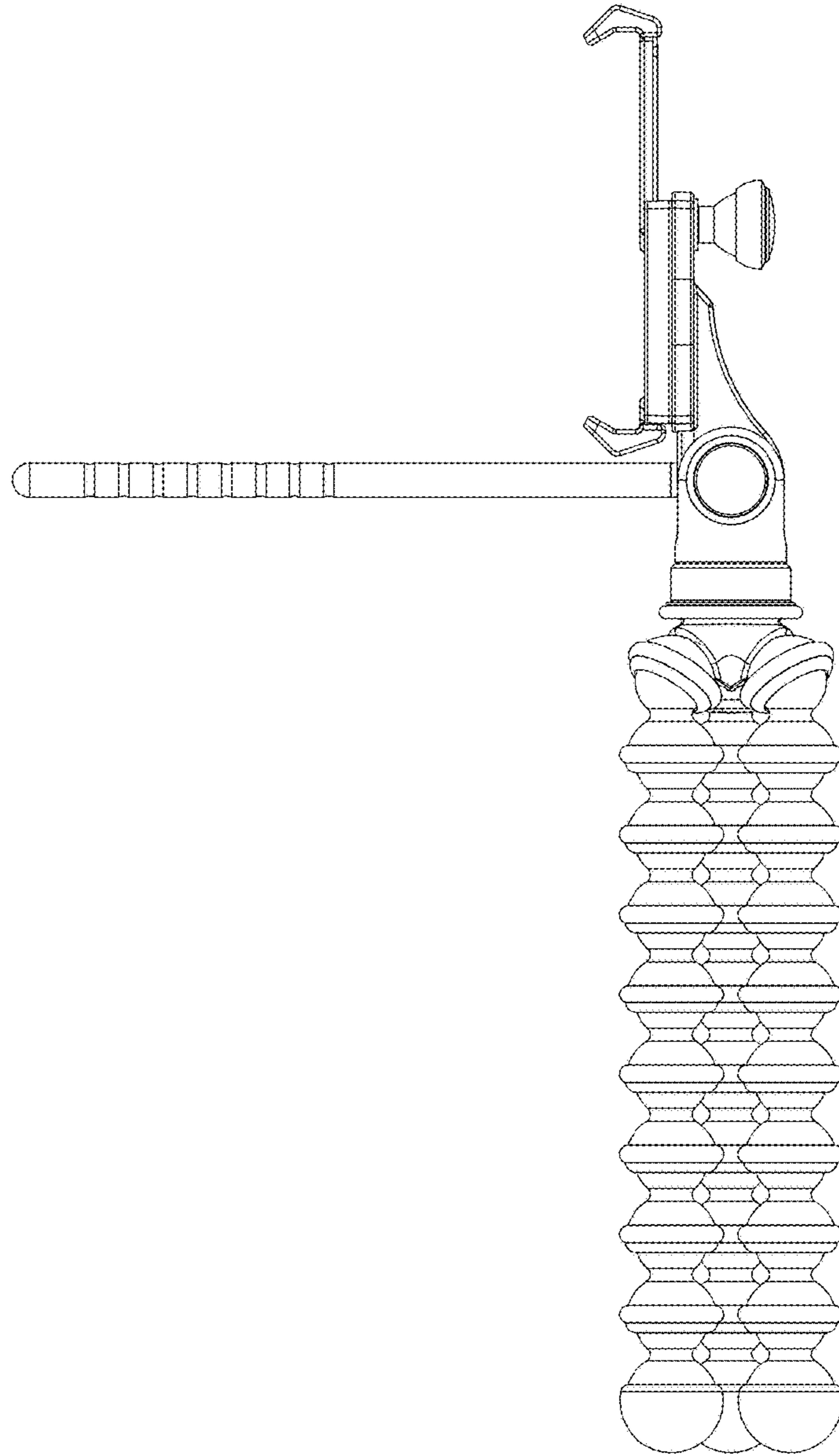


FIG. 10

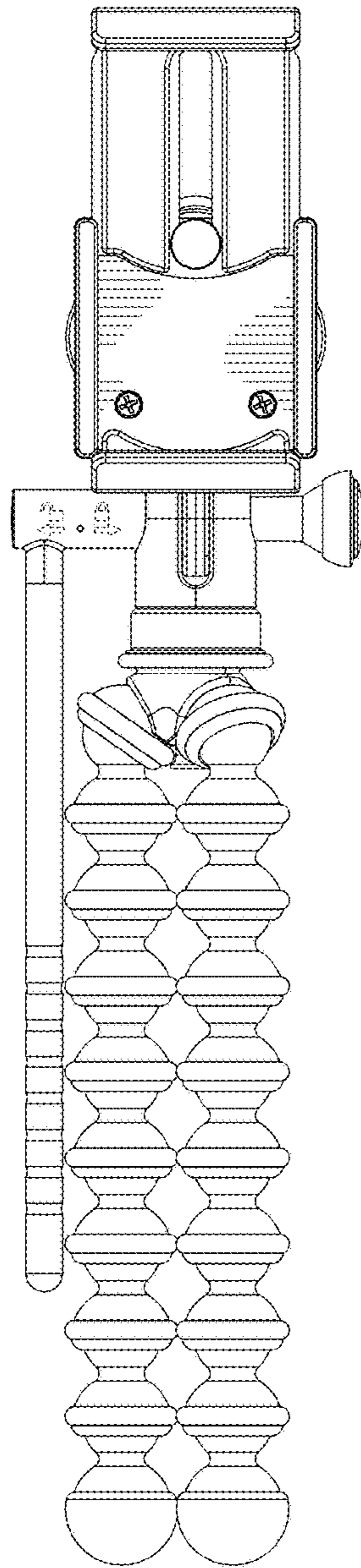


FIG. 11

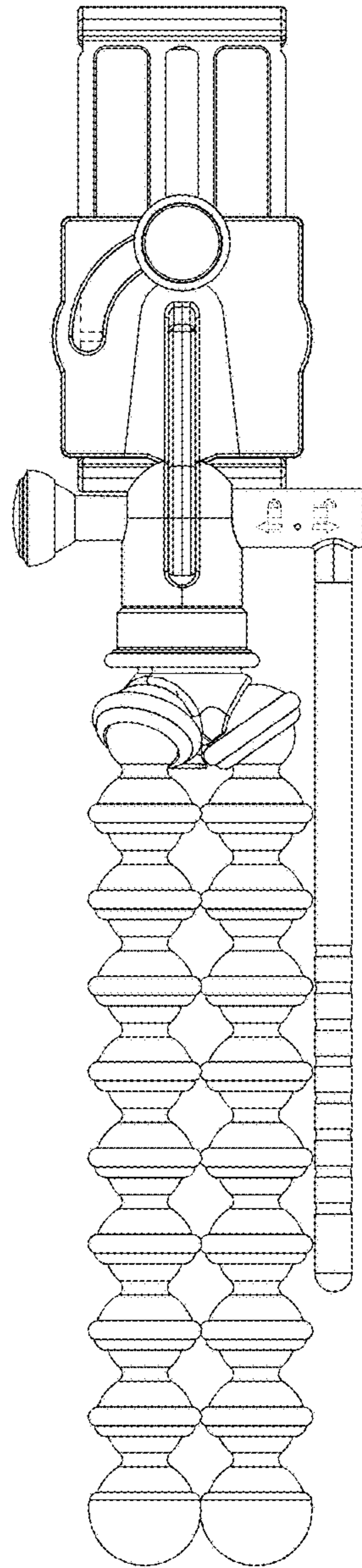


FIG. 12

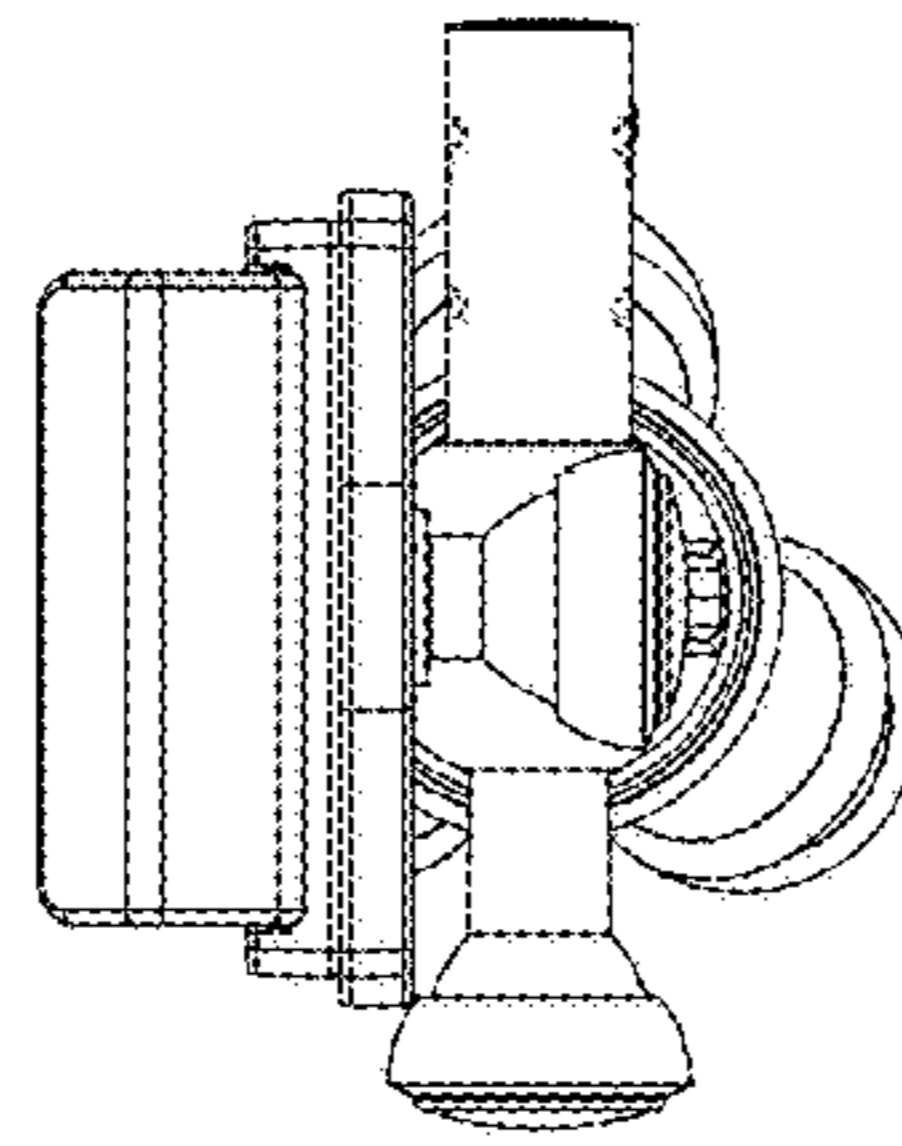


FIG. 13

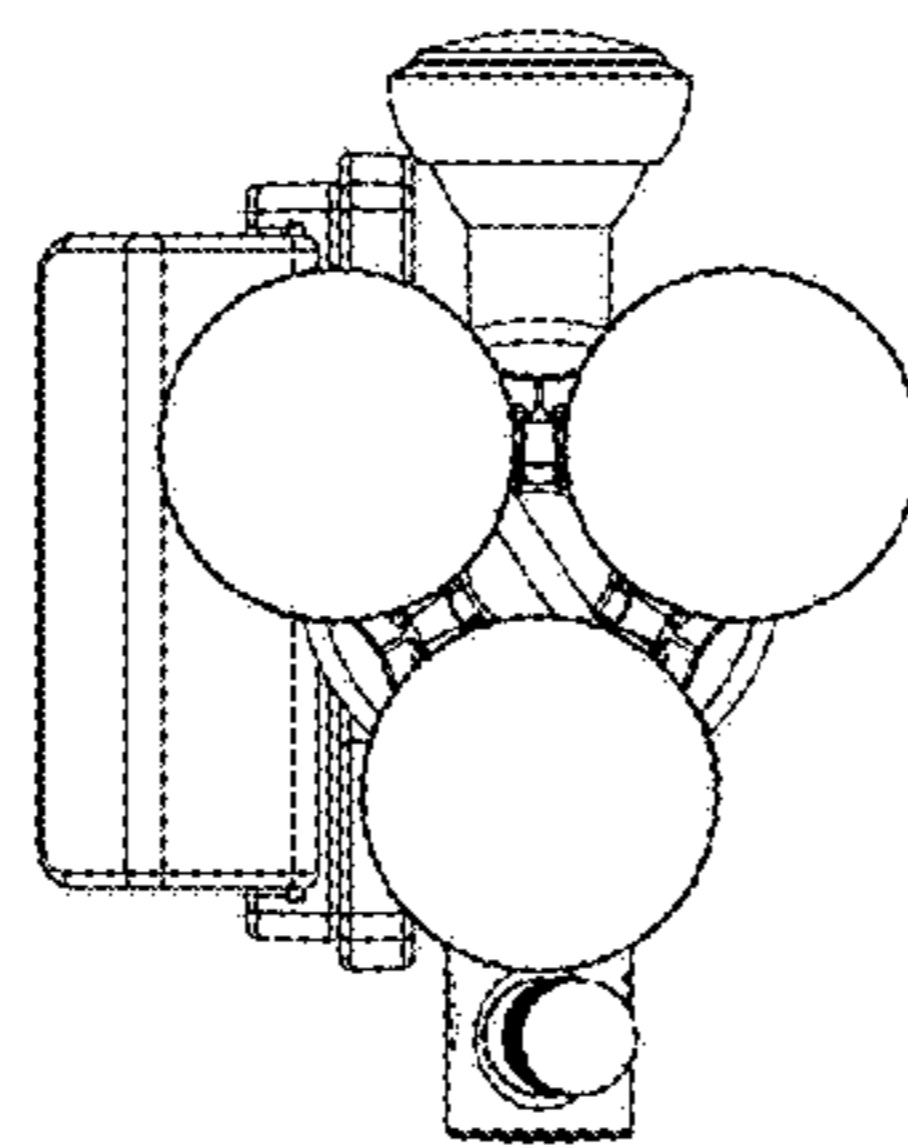


FIG. 14

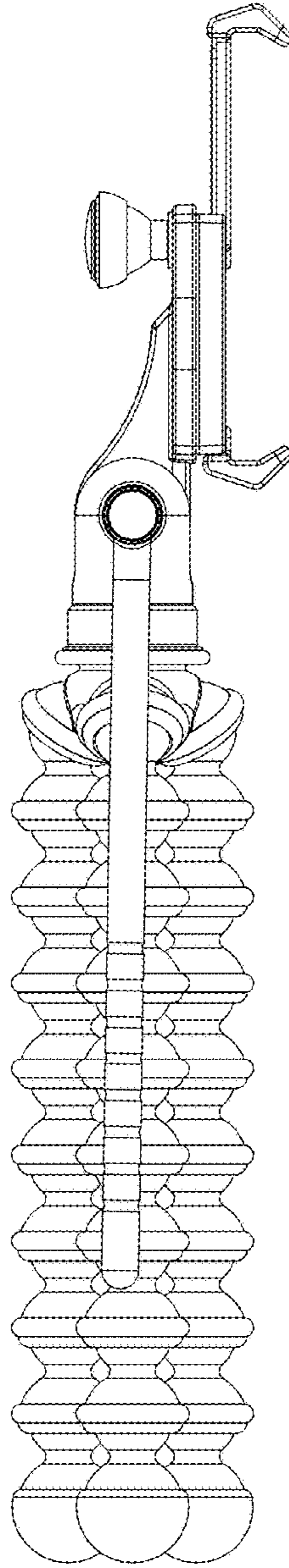


FIG. 15

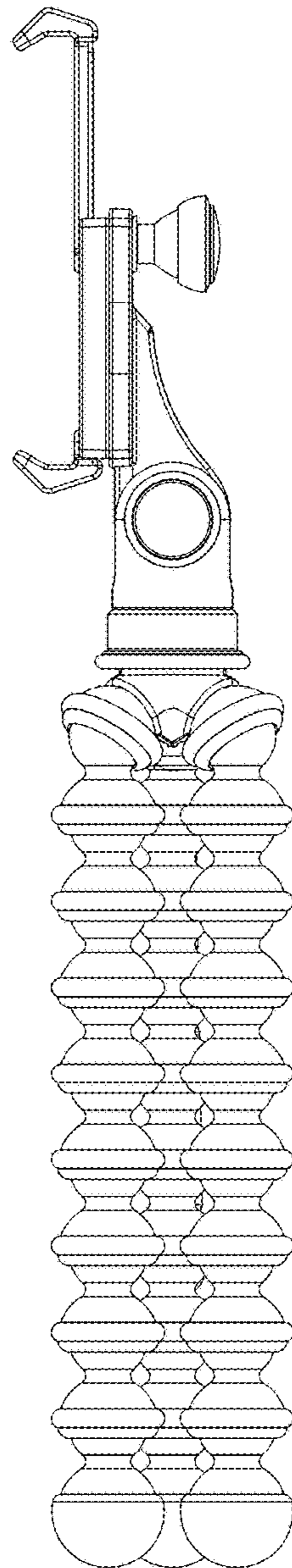


FIG. 16