



US00D843434S

(12) **United States Design Patent**
Giordano et al.

(10) **Patent No.:** **US D843,434 S**
(45) **Date of Patent:** **** Mar. 19, 2019**

(54) **SPRING-LOADED DASH CAMERA MOUNTING CLIP**

(71) Applicant: **J28 Design, Inc.**, Cotati, CA (US)

(72) Inventors: **Michael Giordano**, Rohnert Park, CA (US); **Sebastien Jame**, Sebastopol, CA (US)

(73) Assignee: **J28 Design, Inc.**, Cotati, CA (US)

(**) Term: **15 Years**

(21) Appl. No.: **29/610,524**

(22) Filed: **Jul. 13, 2017**

(51) **LOC (11) Cl.** **16-05**

(52) **U.S. Cl.**
USPC **D16/242**; D16/237

(58) **Field of Classification Search**
USPC D16/219, 237-250; D12/101, 114, 129;
D14/224, 229, 238, 251, 253, 447, 451,
D14/457; D8/354, 355, 363, 373, 382,
D8/383, 394, 395, 396, 397, 398;
D34/12, 17, 18, 24, 26
CPC .. A45F 5/00; A45F 5/10; F16M 11/06; F16M
11/07; F16M 11/08; F16M 11/09; F16M
11/10; G02B 7/00-7/002; G03B 17/56;
G03B 17/561; G03B 17/563; G03B
17/565; G03B 17/566; G03B 17/568;
H04N 5/2253-5/2254
See application file for complete search history.

(56) **References Cited**

U.S. PATENT DOCUMENTS

1,423,043 A * 7/1922 Steinheiser A47L 13/512
248/111
2,375,513 A * 5/1945 Bach F16L 3/221
248/59
D204,159 S * 3/1966 Piasecki D8/357
4,305,179 A * 12/1981 Sakurada F16L 33/03
24/20 CW

D317,352 S * 6/1991 Takeuchi D23/265
6,098,251 A * 8/2000 Zielinski F16L 33/03
24/20 EE
D531,019 S * 10/2006 Plumer D8/396
D624,397 S * 9/2010 Ball D8/396
D679,575 S * 4/2013 Chiu D8/354
D770,268 S * 11/2016 Lo D8/395
D795,327 S * 8/2017 Martin D16/242
D802,406 S * 11/2017 Milner D8/382
D823,836 S * 7/2018 Eaton D14/229
2016/0131281 A1 * 5/2016 Juzak F16B 35/06
248/74.3

OTHER PUBLICATIONS

BlendMount BlackVue Dashcam Mirror Stem Mount. [online] Published Mar. 24, 2018. Retrieved Oct. 10, 2018 from URL: <https://www.thedashcamstore.com/blendmount-blackvue-dashcam-mirror-stem-mount-standard-series/>.
Factory Automotive Spring Flexible Hose Clamps Hose Clips. [online] Published on Aug. 31, 2017. Retrieved Oct. 10, 2018 from URL: https://www.alibaba.com/product-detail/China-Factory-Automotive-Spring-Flexible-Hose_60349380916.html.

* cited by examiner

Primary Examiner — Vy N Koenig
(74) *Attorney, Agent, or Firm* — Bay Area Technology Law Group PC

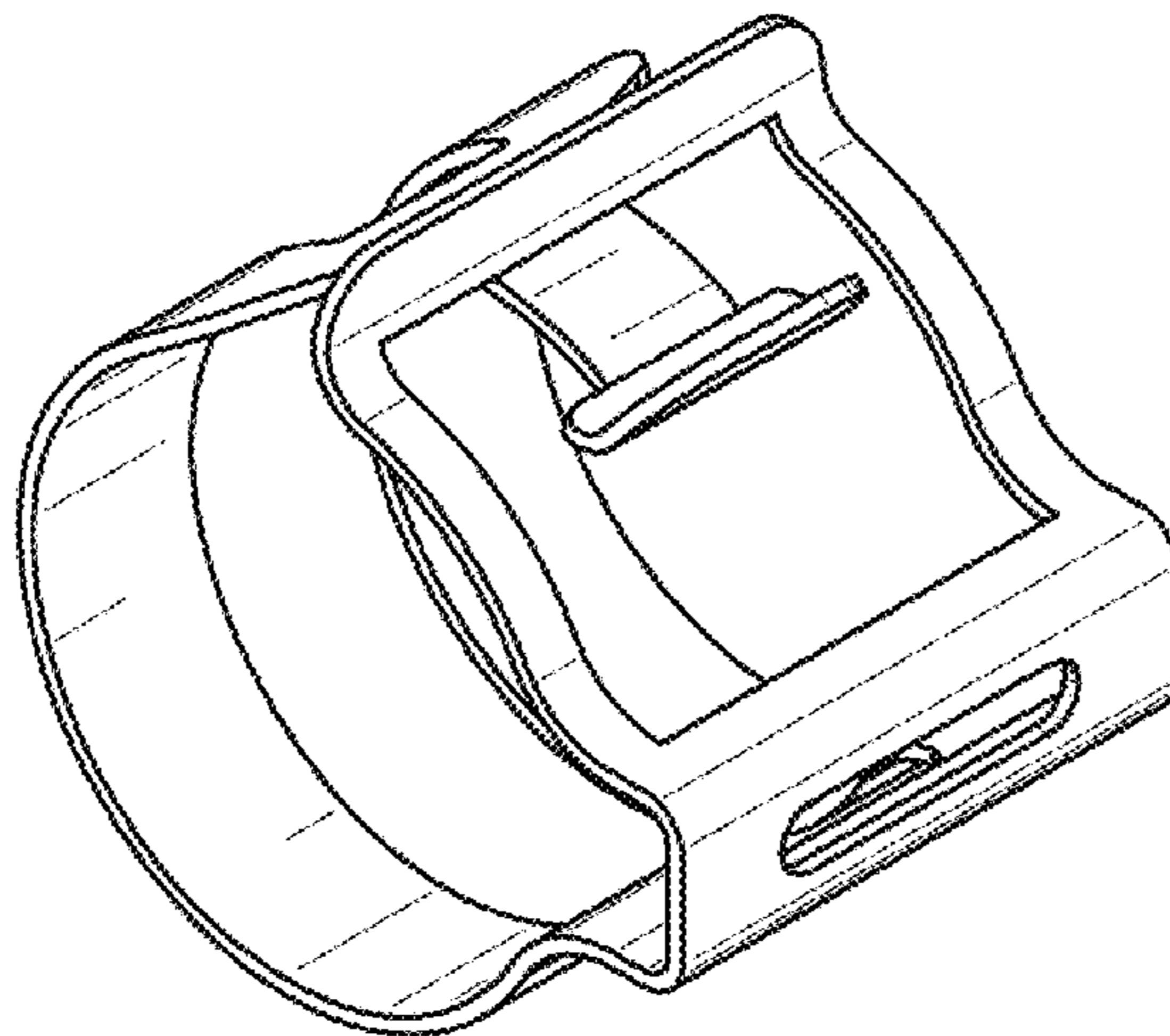
(57) **CLAIM**

The ornamental design for a spring-loaded dash camera mounting clip, as shown and described.

DESCRIPTION

FIG. 1 is a perspective view of a spring-loaded dash camera mounting clip showing our new design;
FIG. 2 is a side view thereof;
FIG. 3 is a front view thereof;
FIG. 4 is a back view thereof;
FIG. 5 is a top view thereof; and,
FIG. 6 is a bottom view thereof.

1 Claim, 1 Drawing Sheet



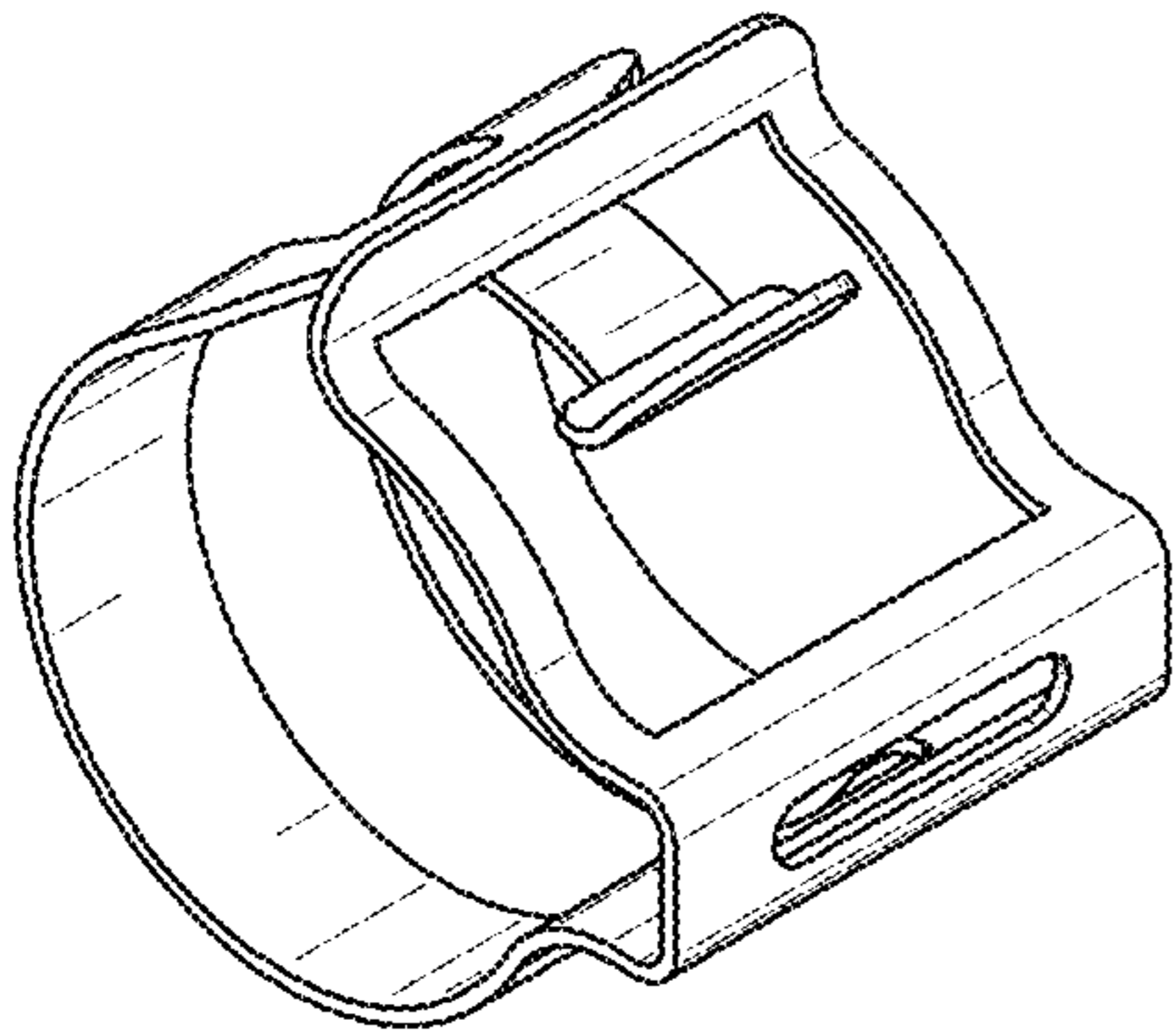


FIG. 1

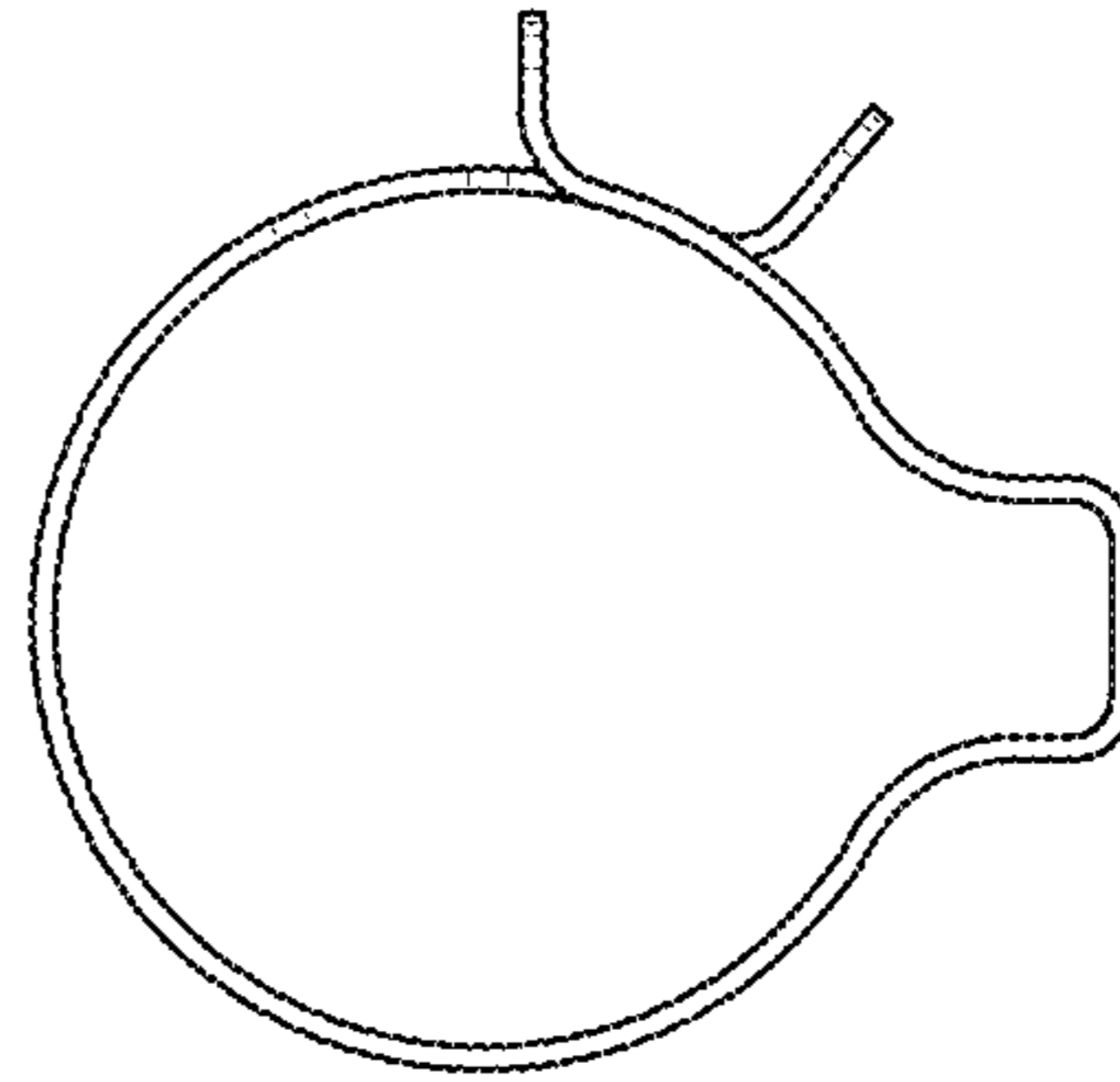


FIG. 2

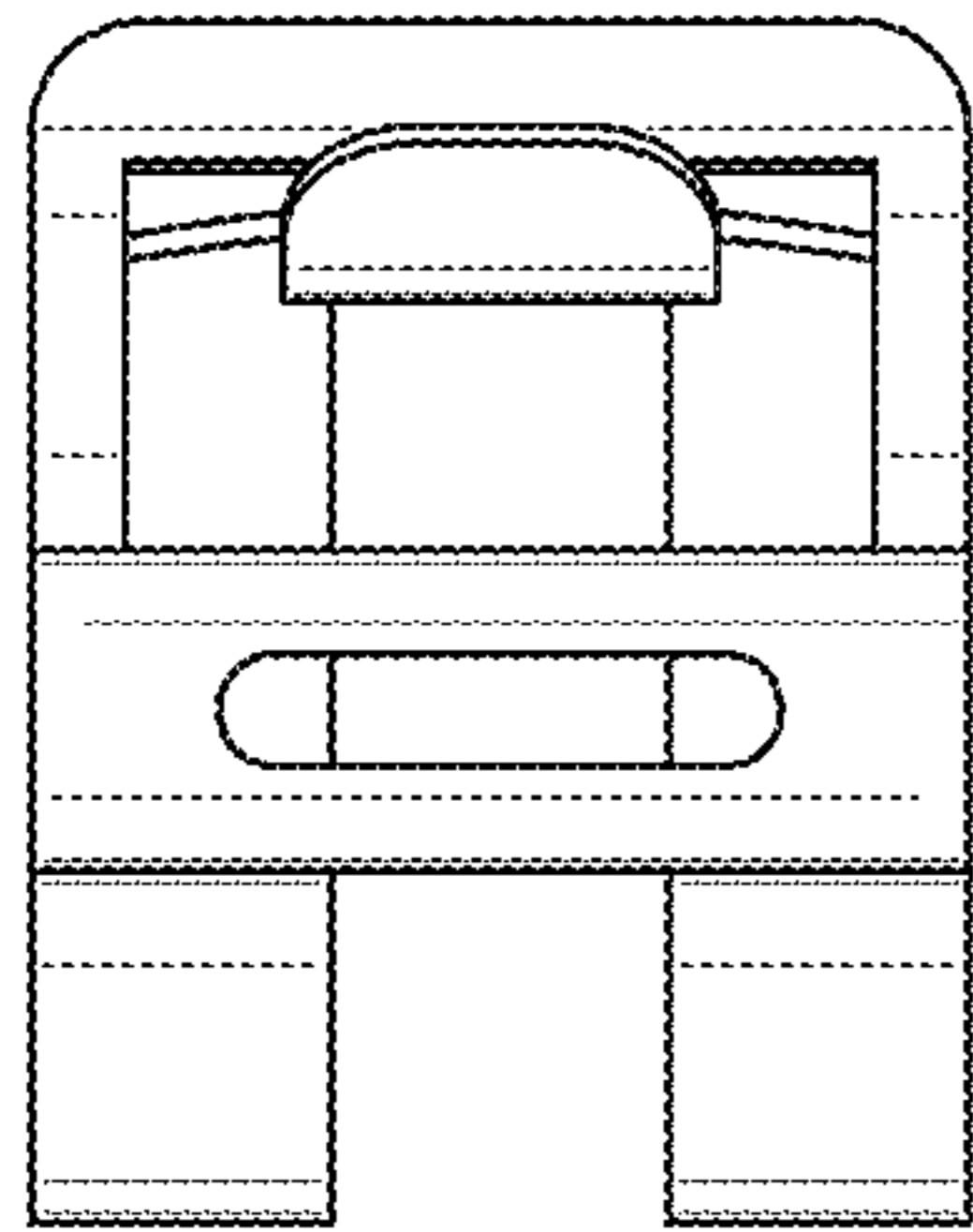


FIG. 3

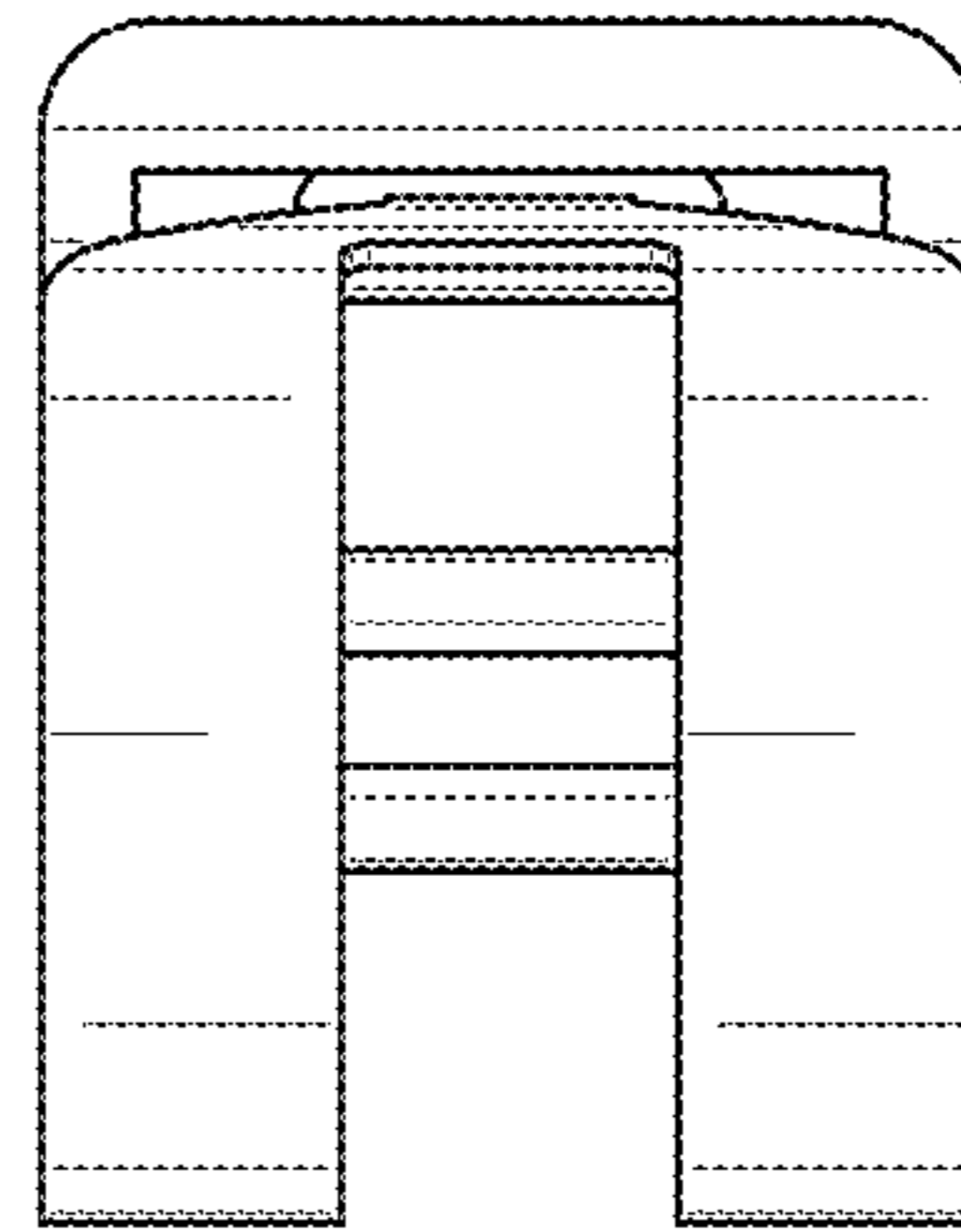


FIG. 4

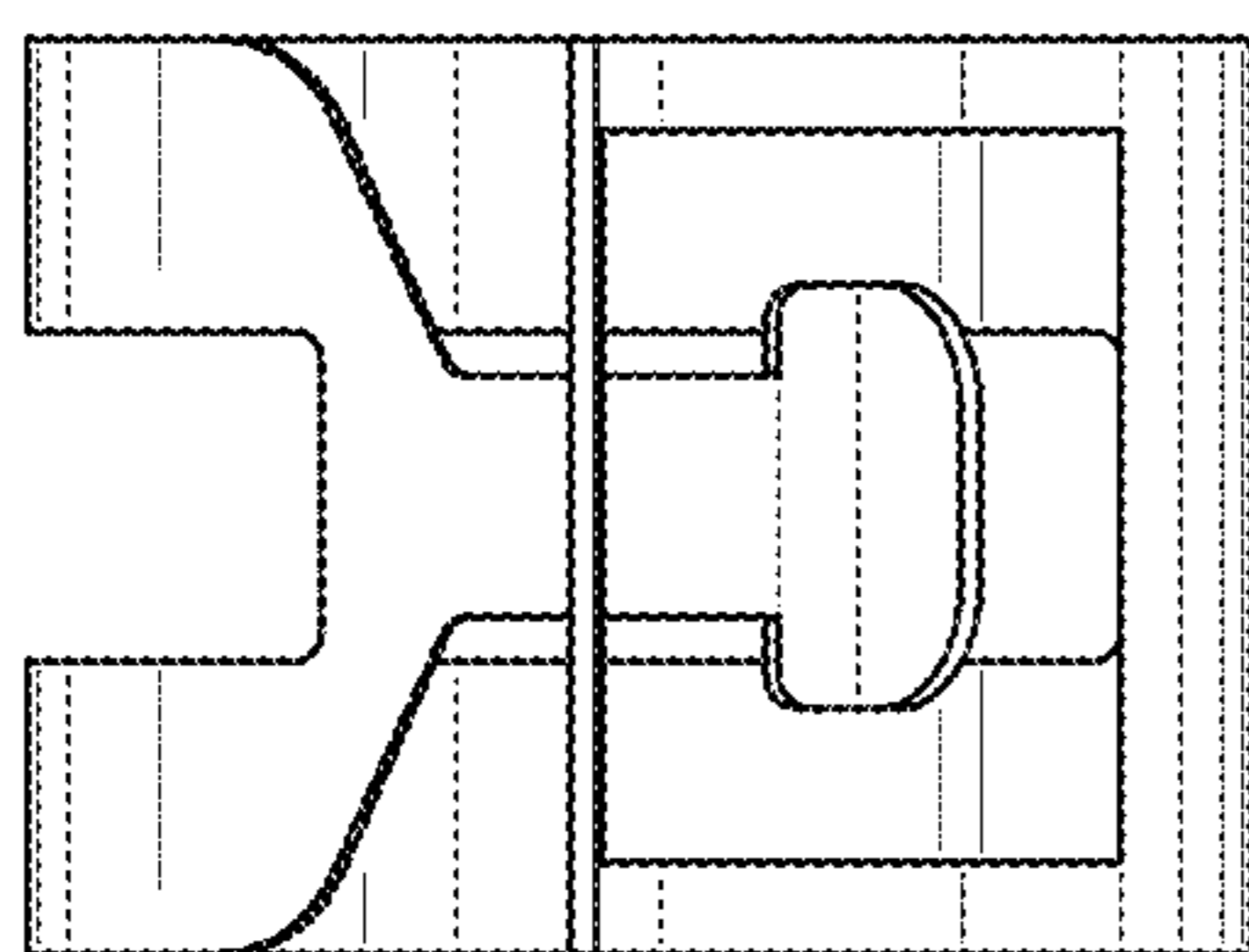


FIG. 5

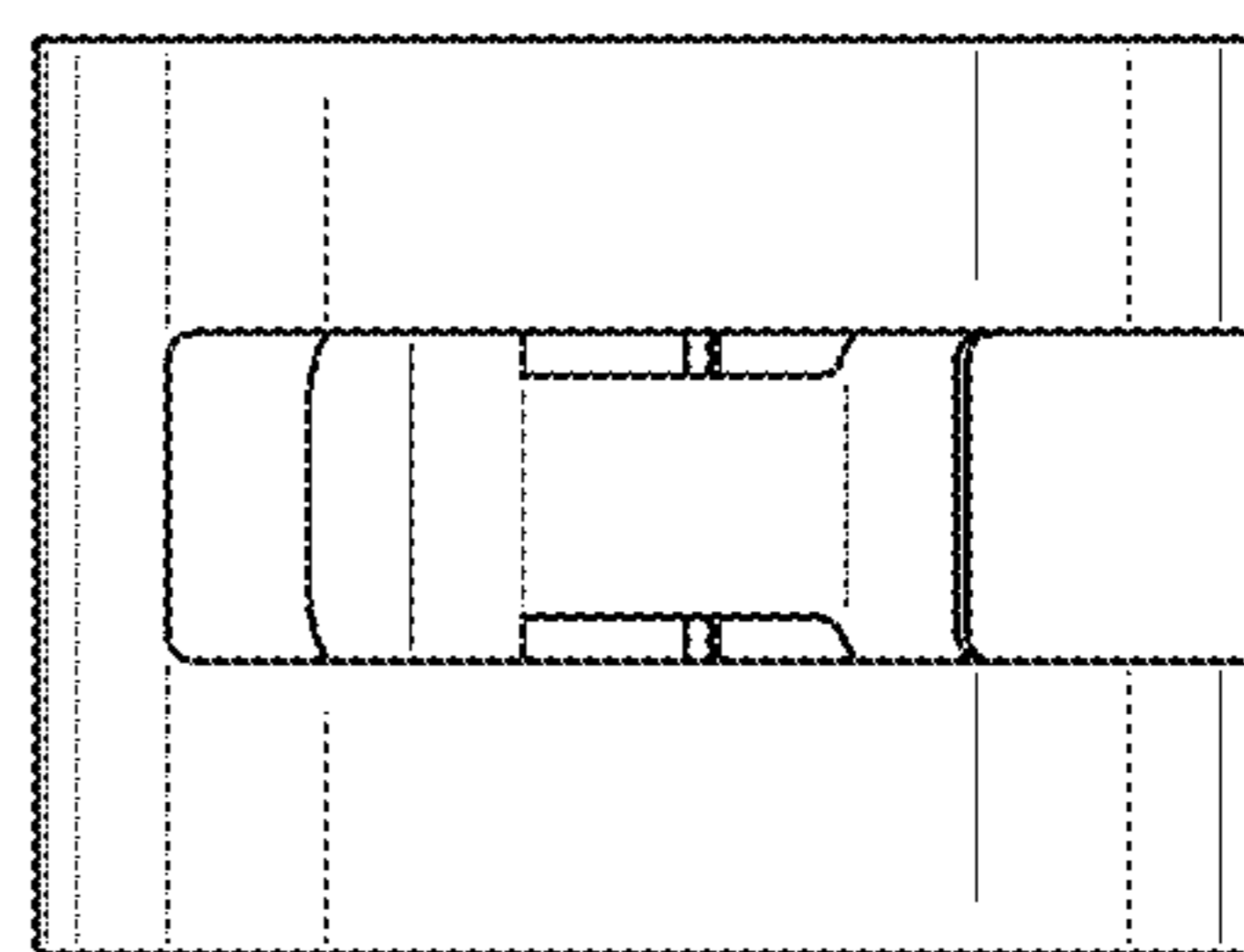


FIG. 6