



US00D843433S

(12) **United States Design Patent**
Balmer

(10) **Patent No.:** **US D843,433 S**
(45) **Date of Patent:** **** Mar. 19, 2019**

(54) **PAN AND TILT BODY WITH DEVICE MOUNTING CLAMP**

DESCRIPTION

- (71) Applicant: **Daymen US, Inc.**, Petaluma, CA (US)
- (72) Inventor: **Noah Balmer**, Santa Rosa, CA (US)
- (73) Assignee: **Vitec Holdings Italia SRL**, Cassola (IT)
- (**) Term: **15 Years**
- (21) Appl. No.: **29/604,166**
- (22) Filed: **May 16, 2017**
- (51) **LOC (11) Cl.** **16-05**
- (52) **U.S. Cl.**
USPC **D16/242; D14/253**
- (58) **Field of Classification Search**
USPC D16/219, 237-250; D14/224, 229, 238, D14/251, 447, 451, 457; D8/354, 355, D8/363, 373, 382, 383, 394, 395, 396
(Continued)

FIG. 1 is a front view of a pan and tilt body with device mounting clamp in a first configuration with the clamp fully closed and the adjustment arm vertically down.
 FIG. 2 is a back view of a pan and tilt body with device mounting clamp in a first configuration with the clamp fully closed and the adjustment arm vertically down.
 FIG. 3 is a top view of a pan and tilt body with device mounting clamp in a first configuration with the clamp fully closed and the adjustment arm vertically down.
 FIG. 4 is a bottom view of a pan and tilt body with device mounting clamp in a first configuration with the clamp fully closed and the adjustment arm vertically down.
 FIG. 5 is a left side view of a pan and tilt body with device mounting clamp in a first configuration with the clamp fully closed and the adjustment arm vertically down.
 FIG. 6 is a right side view of a pan and tilt body with device mounting clamp in a first configuration with the clamp fully closed and the adjustment arm vertically down.
 FIG. 7 is a perspective view of a pan and tilt body with device mounting clamp in a first configuration with the clamp fully closed and the adjustment arm vertically down.
 FIG. 8 is a front view of a pan and tilt body with device mounting clamp in a second configuration with the clamp fully open and the adjustment arm vertically down.
 FIG. 9 is a back view of a pan and tilt body with device mounting clamp in a second configuration with the clamp fully open and the adjustment arm vertically down.
 FIG. 10 is a left side view of a pan and tilt body with device mounting clamp in a second configuration with the clamp fully open and the adjustment arm vertically down.
 FIG. 11 is a right side view of a pan and tilt body with device mounting clamp in a second configuration with the clamp fully open and the adjustment arm vertically down.
 FIG. 12 is a perspective view of a pan and tilt body with device mounting clamp in a second configuration with the clamp fully open and the adjustment arm vertically down.
 FIG. 13 is a front view of a pan and tilt body with device mounting clamp in a third configuration with the clamp fully open and the adjustment arm horizontal.
 FIG. 14 is a back view of a pan and tilt body with device mounting clamp in a third configuration with the clamp fully open and the adjustment arm horizontal.

(56) **References Cited**

U.S. PATENT DOCUMENTS

- D592,196 S * 5/2009 Kahn D14/237
 - D670,284 S * 11/2012 Choi D14/253
- (Continued)

OTHER PUBLICATIONS

GripTight Pro Video. [online] Published on May 21, 2017. Retrieved Apr. 24, 2018 from URL: <https://joby.com/griptight-pro-video>.
(Continued)

Primary Examiner — Vy N Koenig
(74) *Attorney, Agent, or Firm* — Michael A. Guth

(57) **CLAIM**

The ornamental design for a pan and tilt body with device mounting clamp, as shown and described.

(Continued)

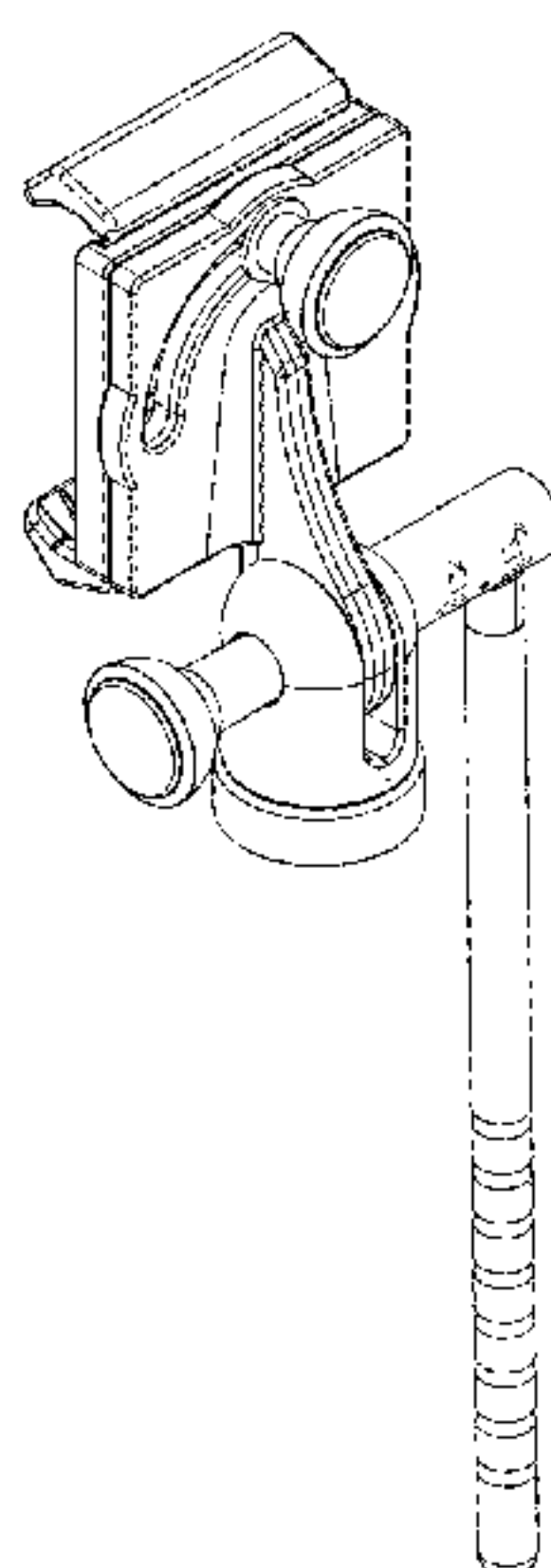


FIG. 15 is a left side view of a pan and tilt body with device mounting clamp in a third configuration with the clamp fully open and the adjustment arm horizontal.

FIG. 16 is a right side view of a pan and tilt body with device mounting clamp in a third configuration with the clamp fully open and the adjustment arm horizontal; and,

FIG. 17 is a top view of a pan and tilt body with device mounting clamp in a third configuration with the clamp fully open and the adjustment arm horizontal.

The broken lines in the drawing depict portions of the pan and tilt body with device mounting clamp that form no part of the claimed design.

1 Claim, 16 Drawing Sheets

(58) **Field of Classification Search**

CPC G03B 17/56; G03B 17/561–17/568; G02B 7/00–7/002; H04N 5/2253–5/2254; F16M 11/06–11/10; F16M 11/14; A45F 5/10

See application file for complete search history.

(56)

References Cited

U.S. PATENT DOCUMENTS

D715,791	S *	10/2014	Yu	D14/253
9,170,473	B1 *	10/2015	Li	F16M 11/28
D783,012	S *	4/2017	Lee	D14/253
D784,997	S *	4/2017	Cheng	D14/447
9,803,799	B1 *	10/2017	Yang	F16M 13/02
D818,518	S *	5/2018	Ahman	D16/242
2015/0346590	A1 *	12/2015	Lewis	G03B 17/561 362/109
2016/0381271	A1 *	12/2016	Cheng	F16M 11/041 348/208.2
2017/0241589	A1 *	8/2017	Wang	F16M 11/18
2018/0031951	A1 *	2/2018	Wang	G03B 17/561
2018/0066792	A1 *	3/2018	Chen	F16M 11/10

OTHER PUBLICATIONS

Miliboo 65mm bowl size Professional Fluid Head for monopod. [online] Retrieved Apr. 24, 2018 from URL: <https://www.aliexpress.com/item/miliboo-portable-65mm-bowl-size-fluid-head-with-handle-for-tripod-monopod-matching-well-with-camcoder/32795918474.html>.*

* cited by examiner

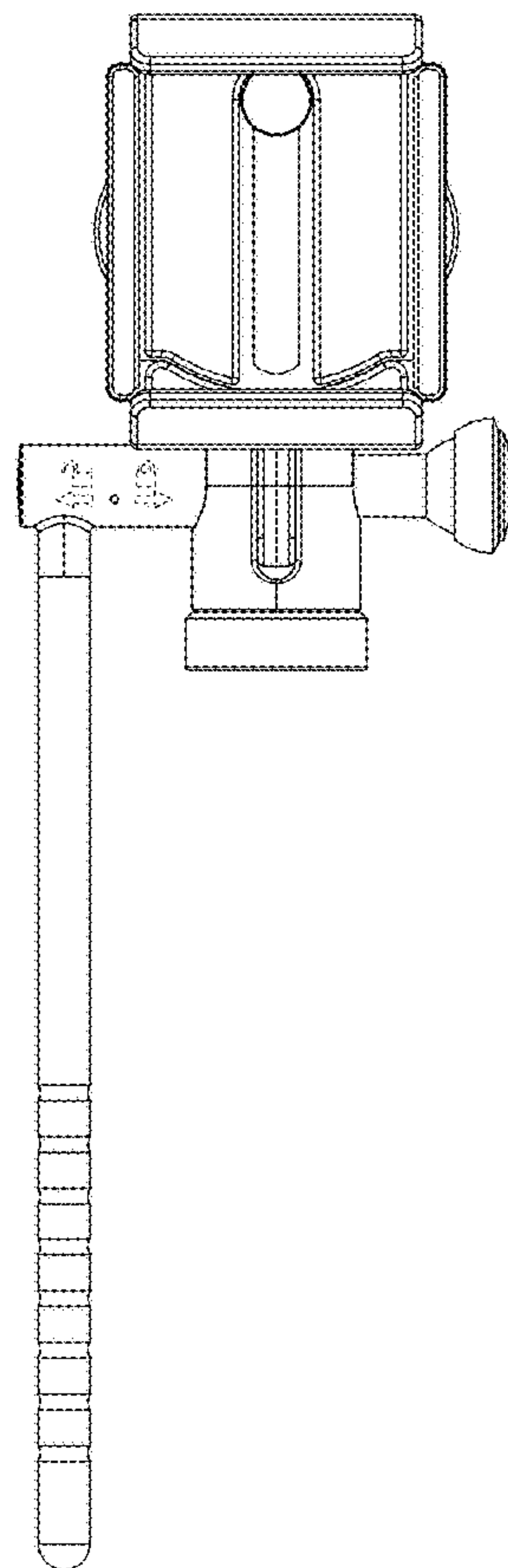


FIG. 1

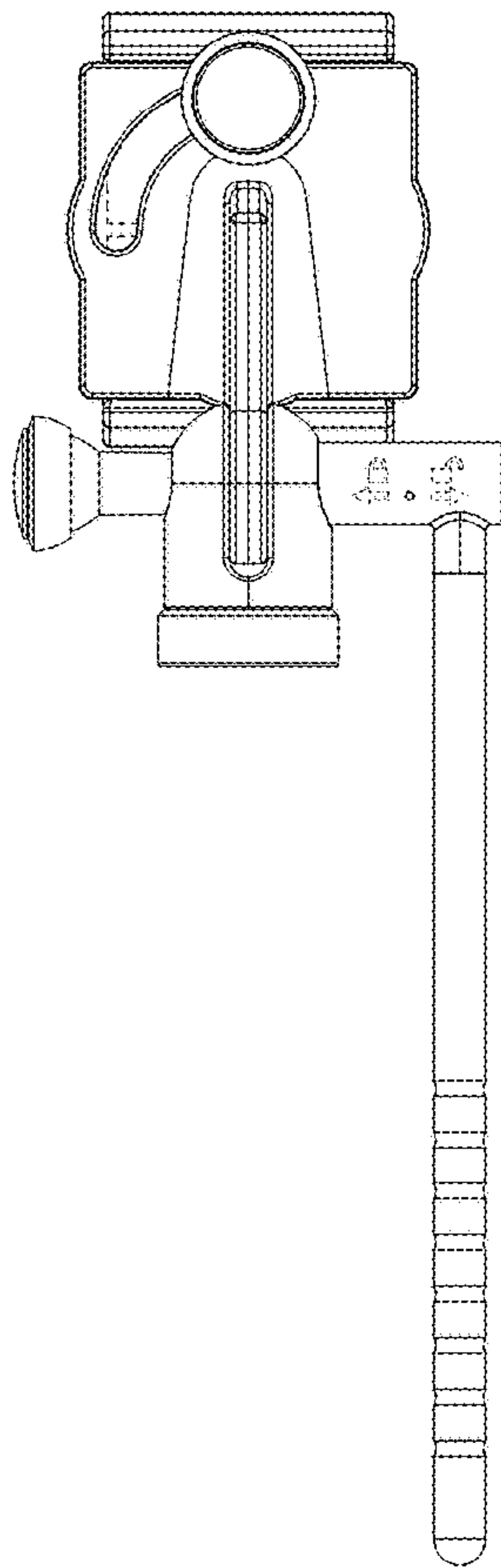


FIG. 2

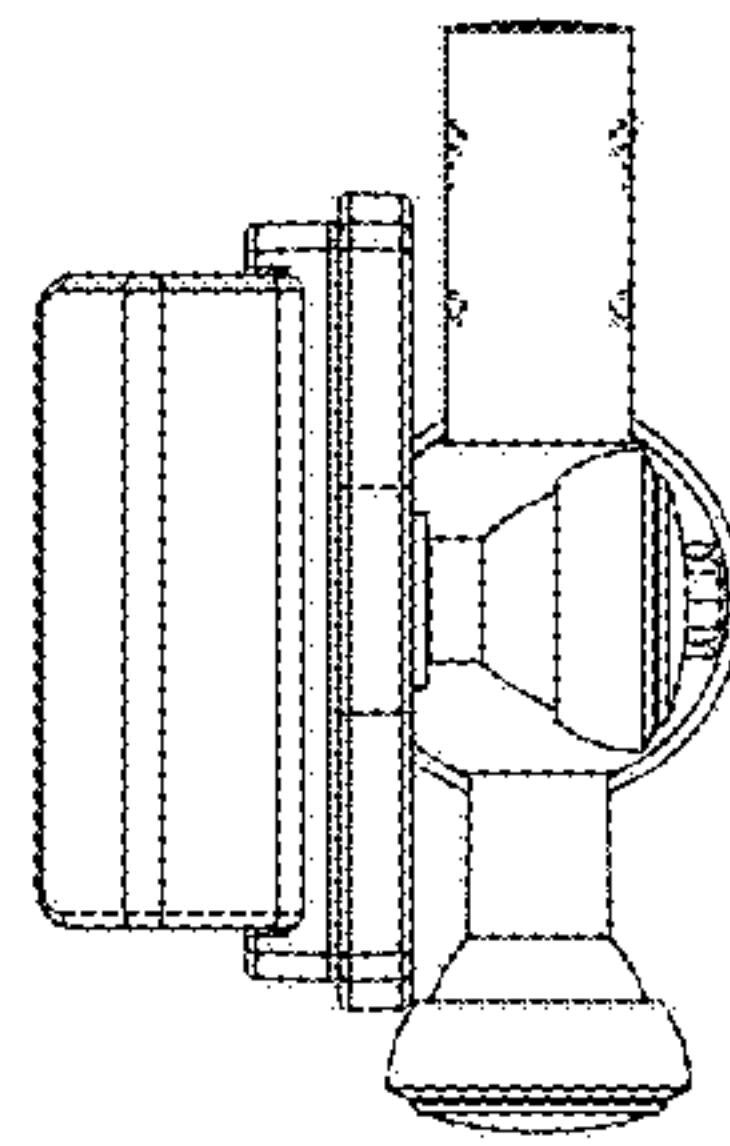


FIG. 3

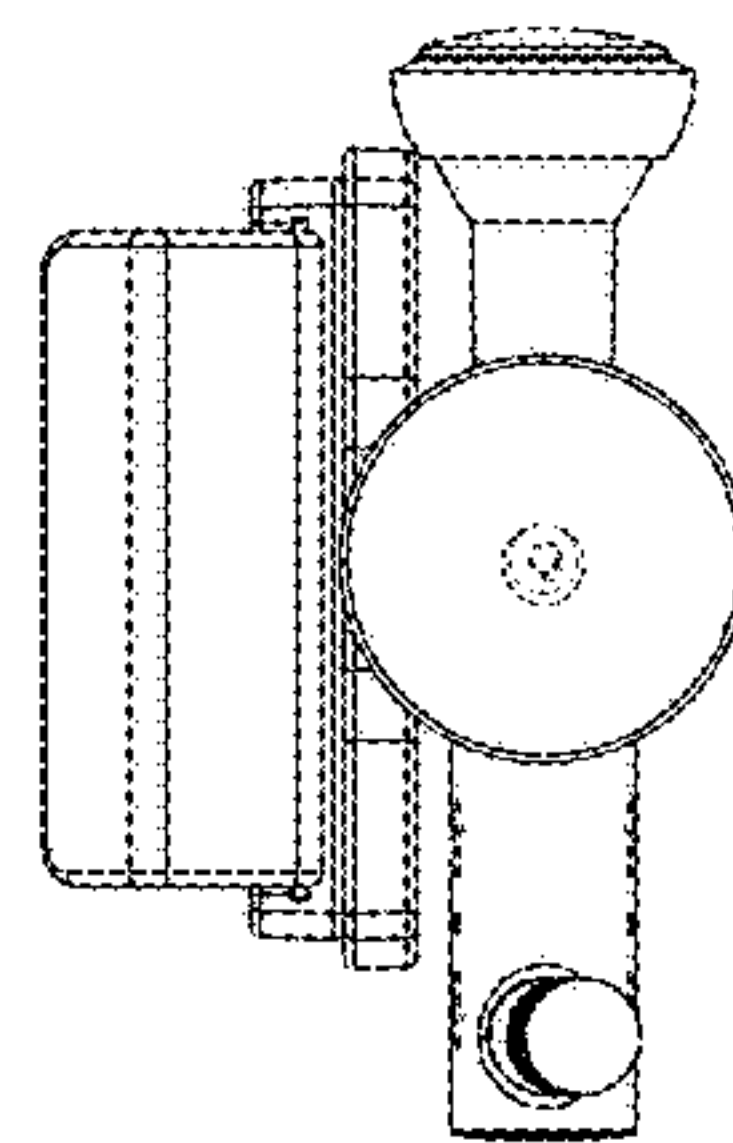


FIG. 4

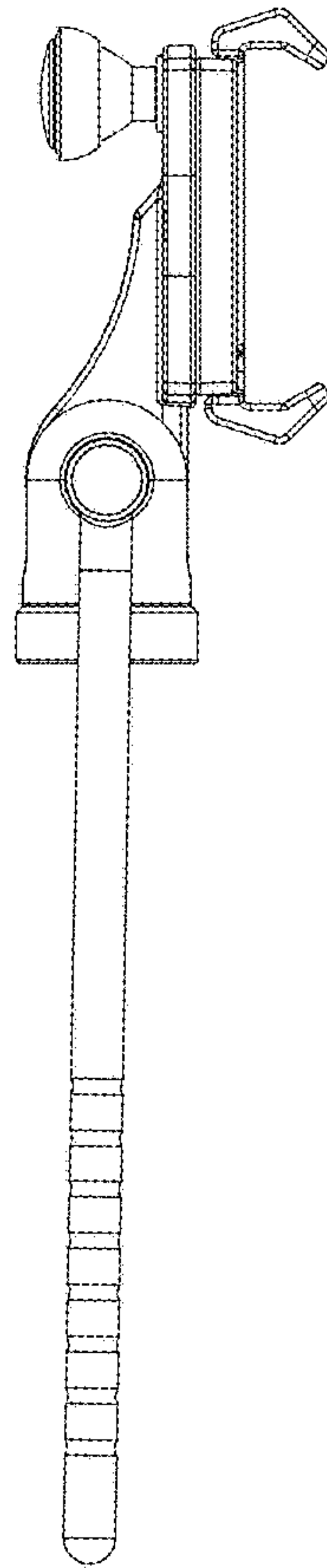


FIG. 5

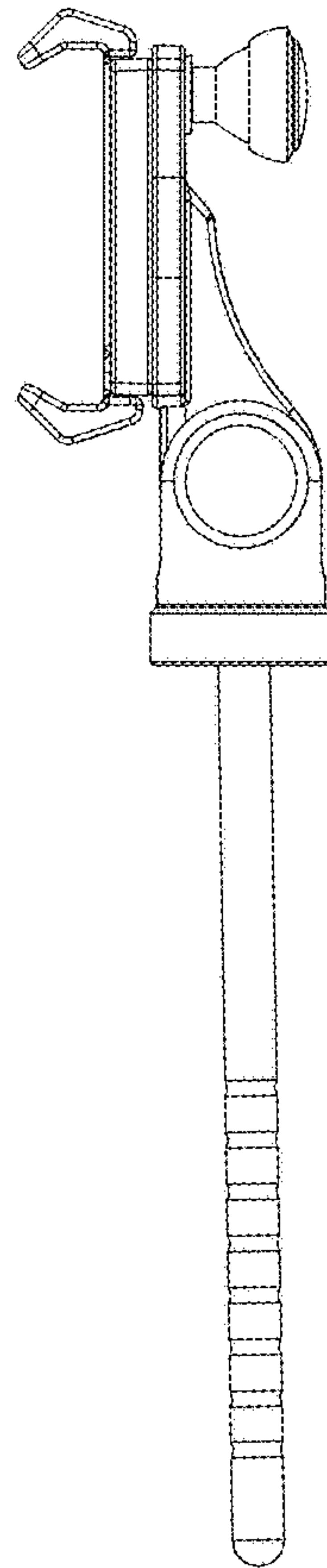


FIG. 6

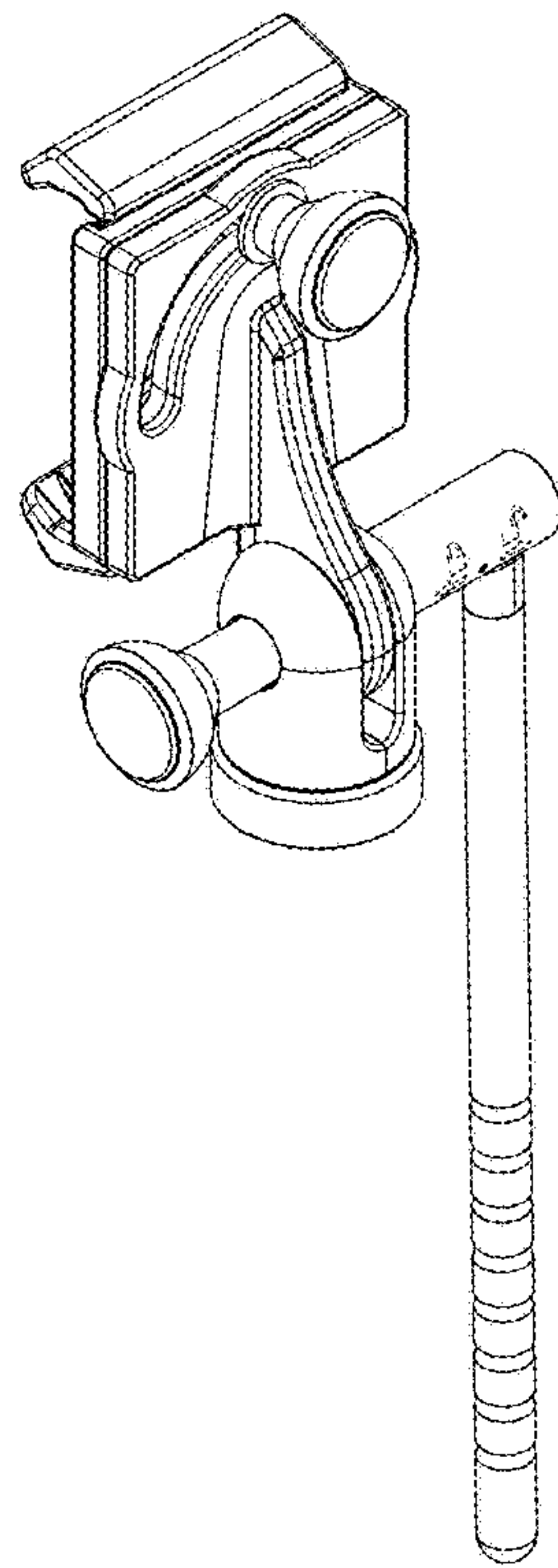


FIG. 7

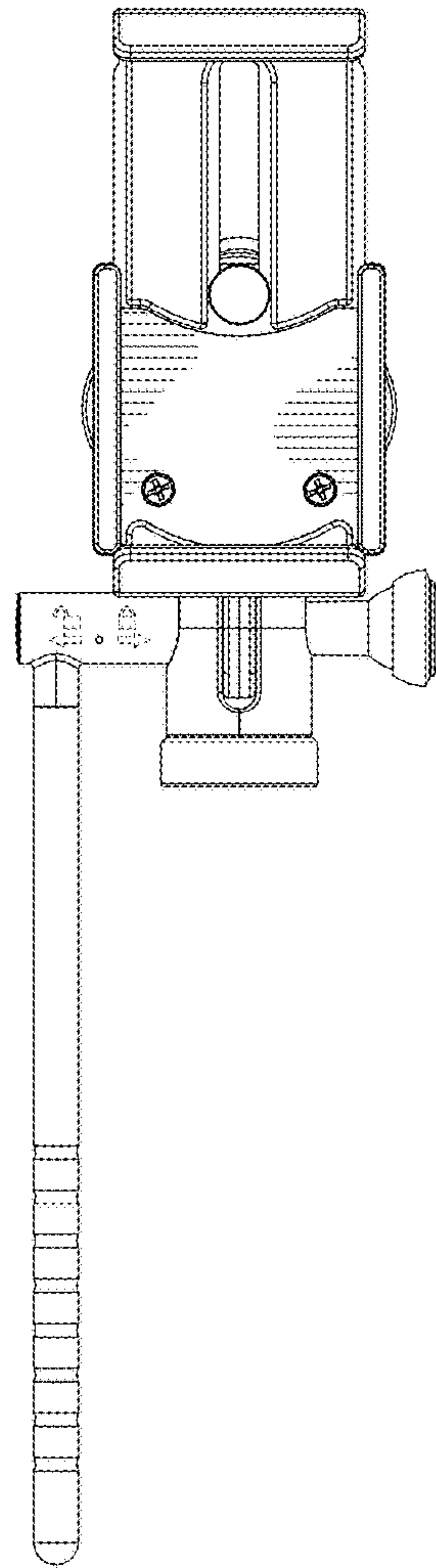


FIG. 8

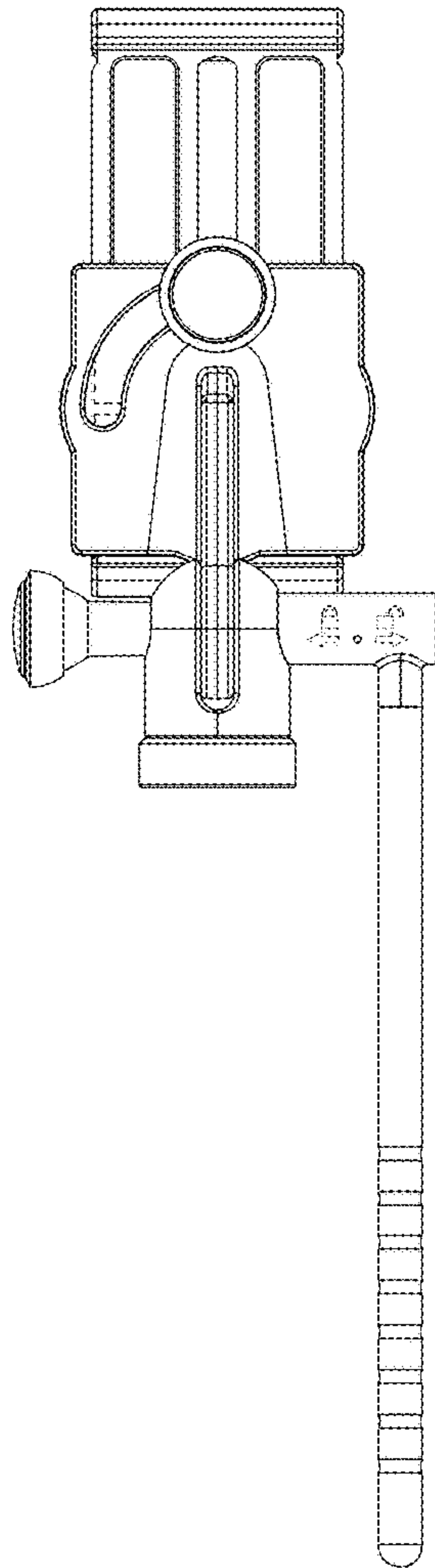


FIG. 9

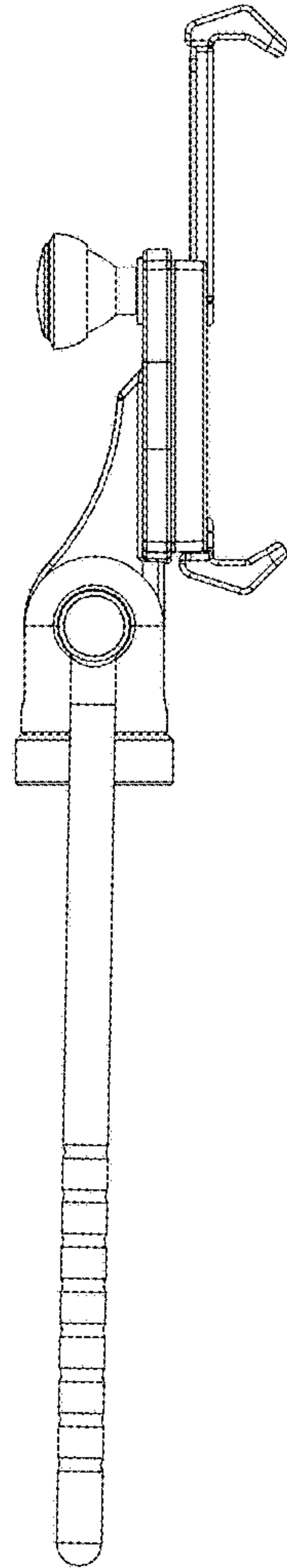


FIG. 10

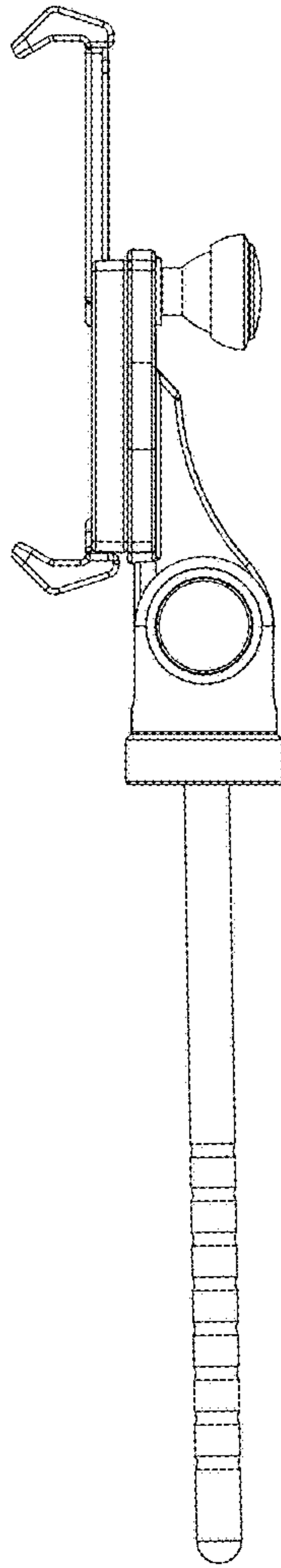


FIG. 11

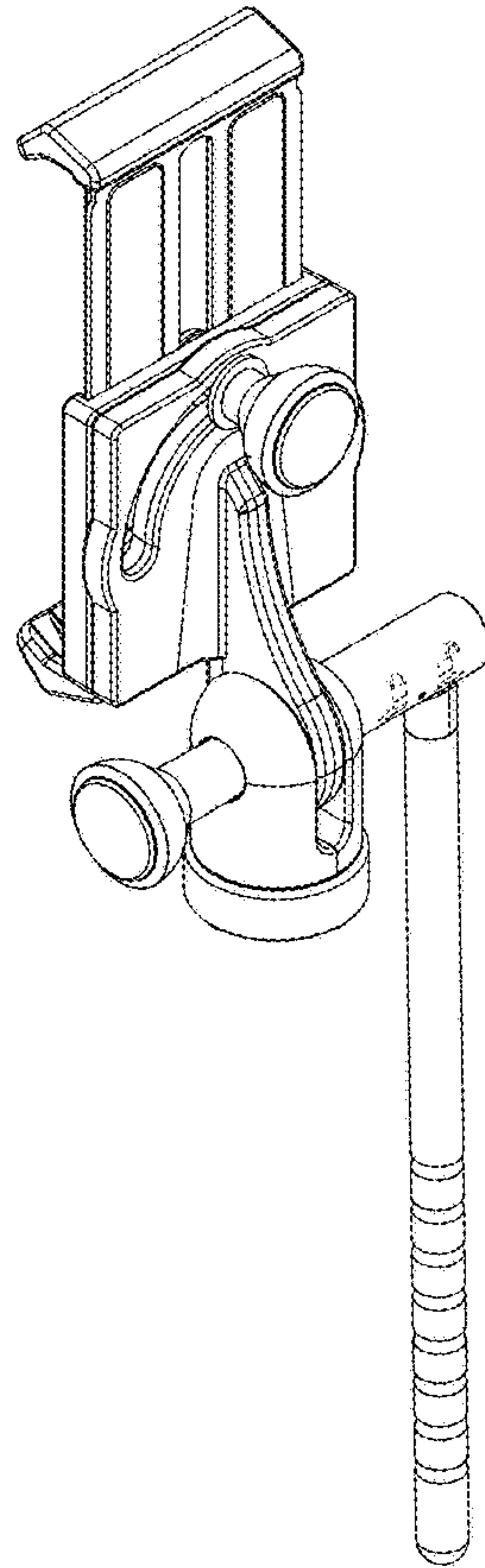


FIG. 12

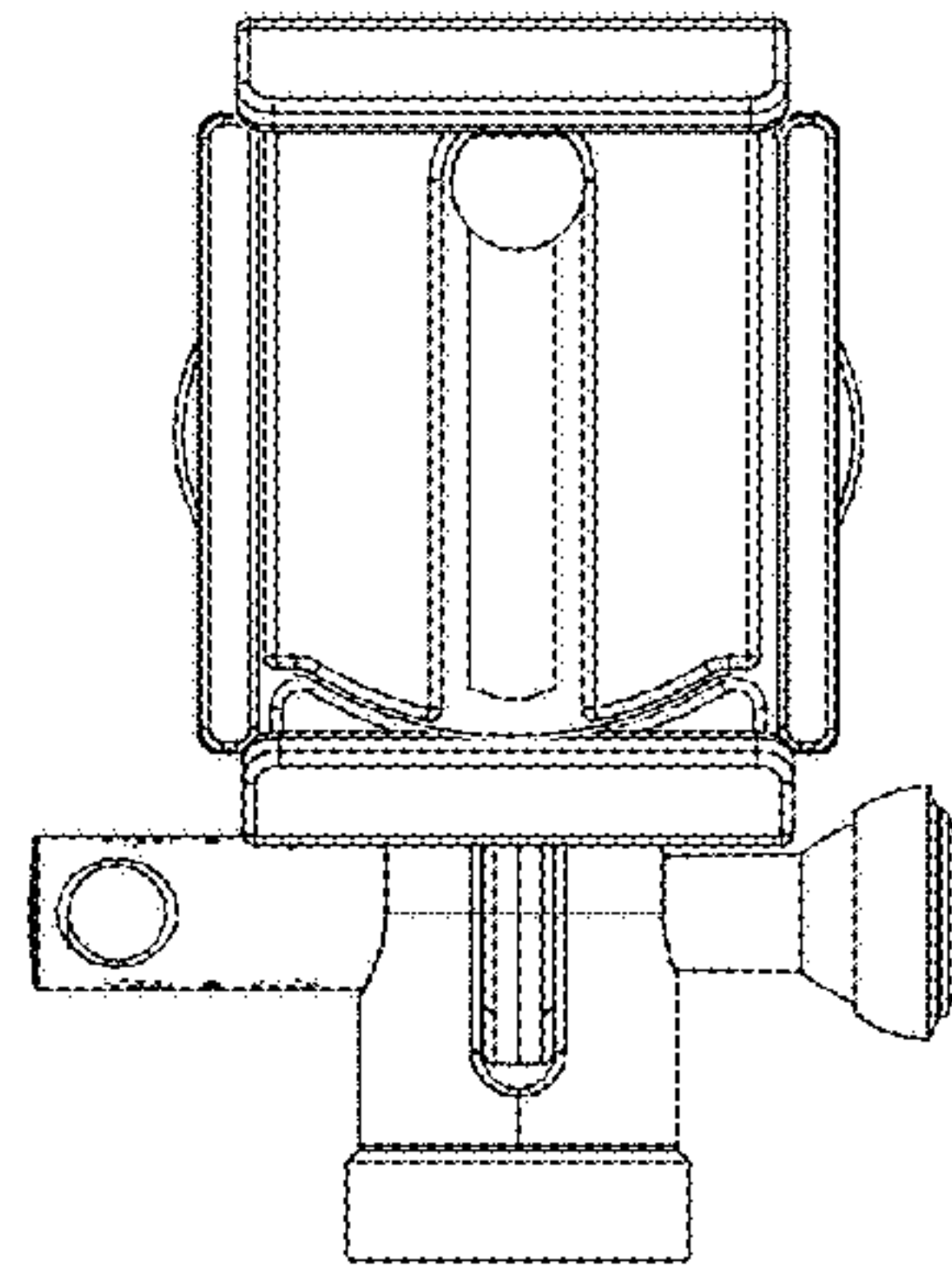


FIG. 13

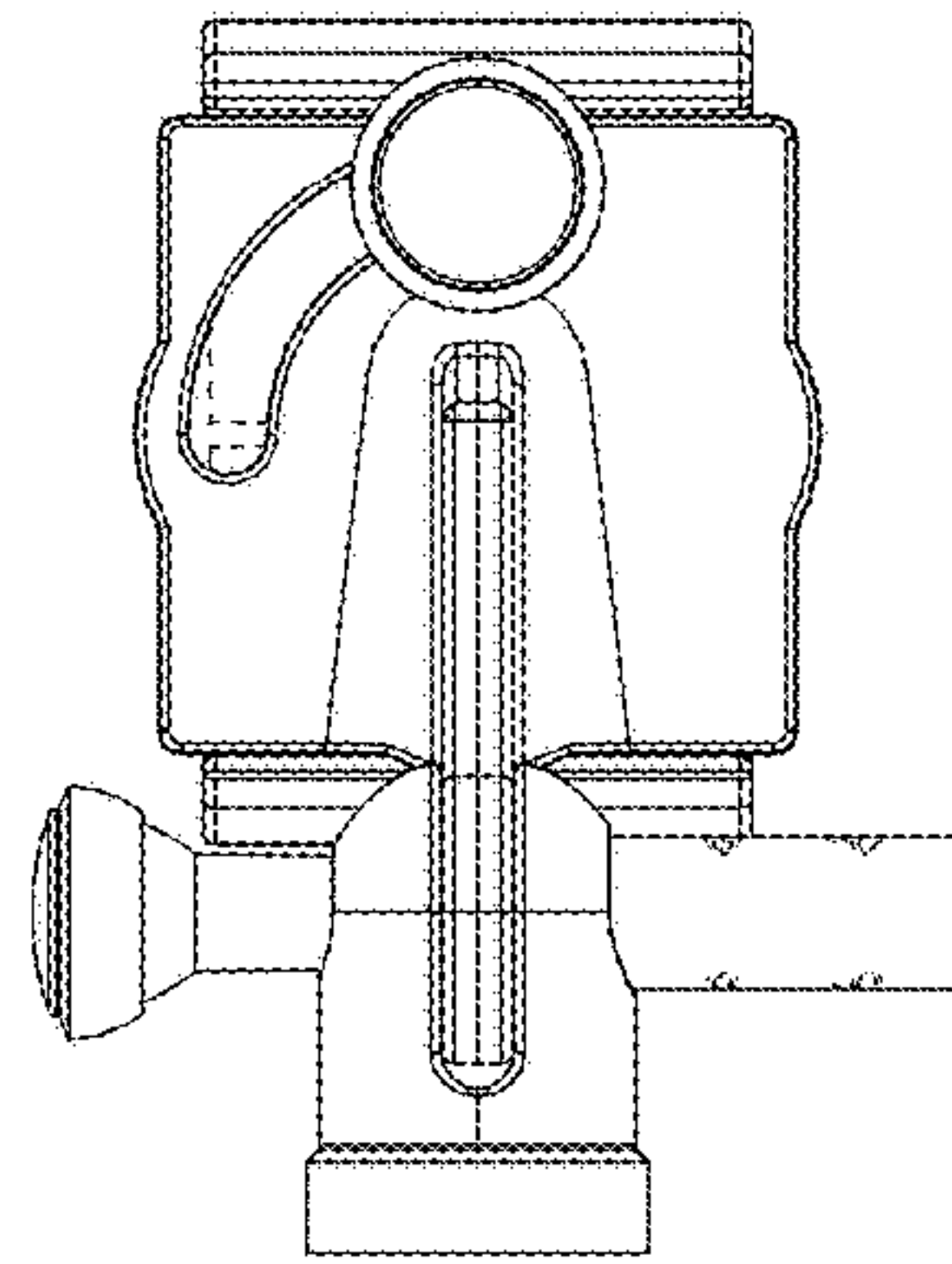


FIG. 14

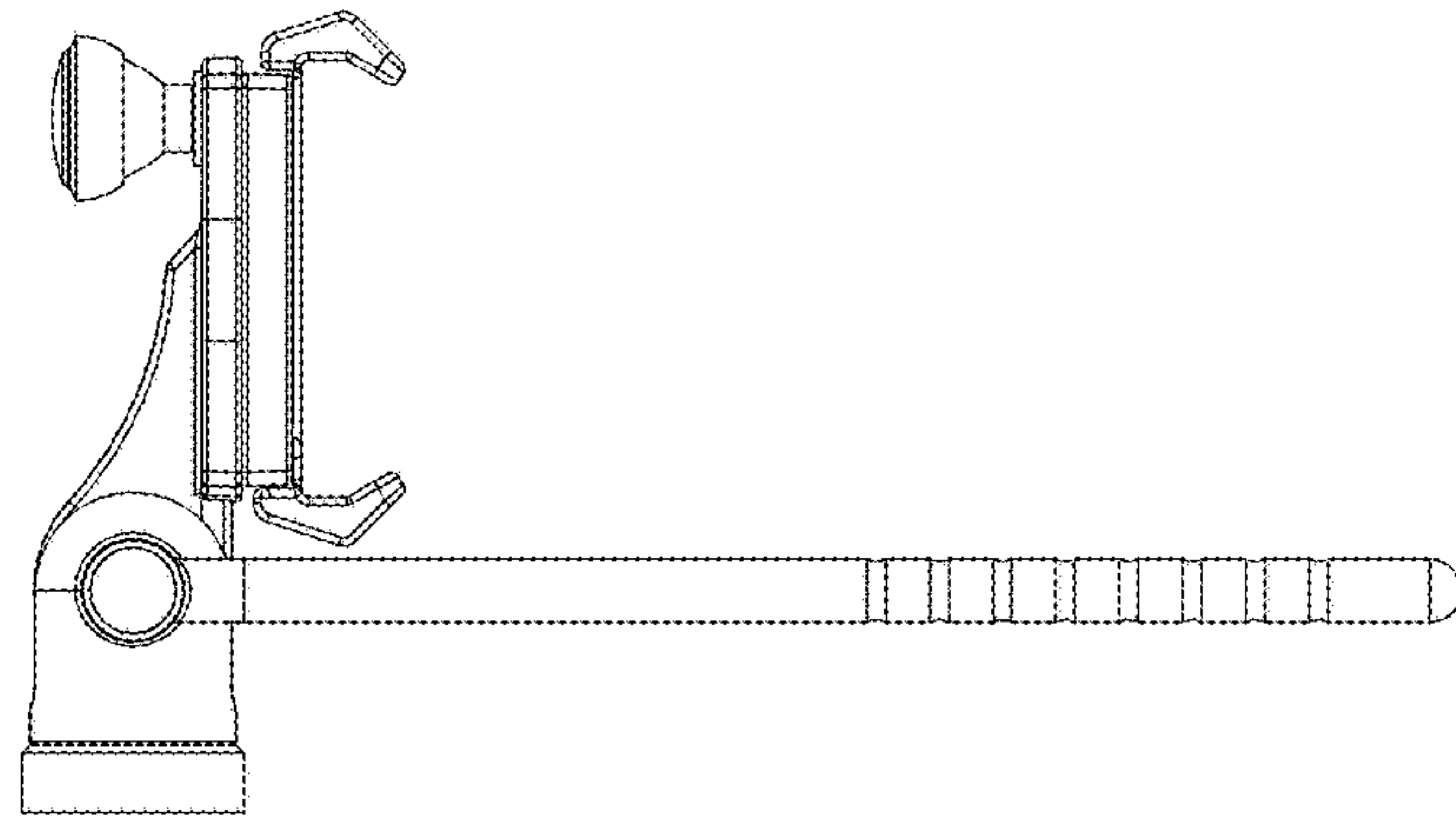


FIG. 15

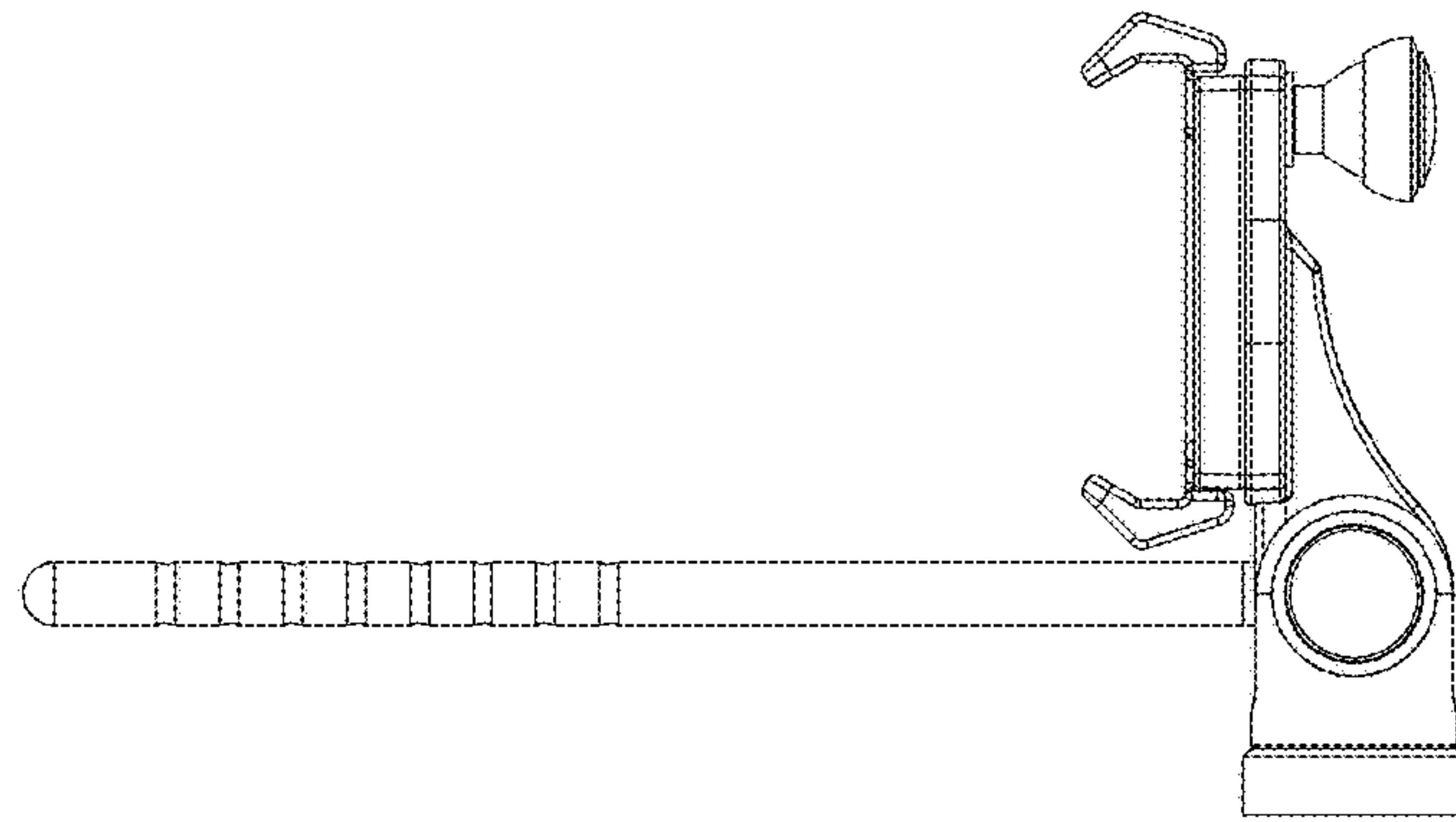


FIG. 16

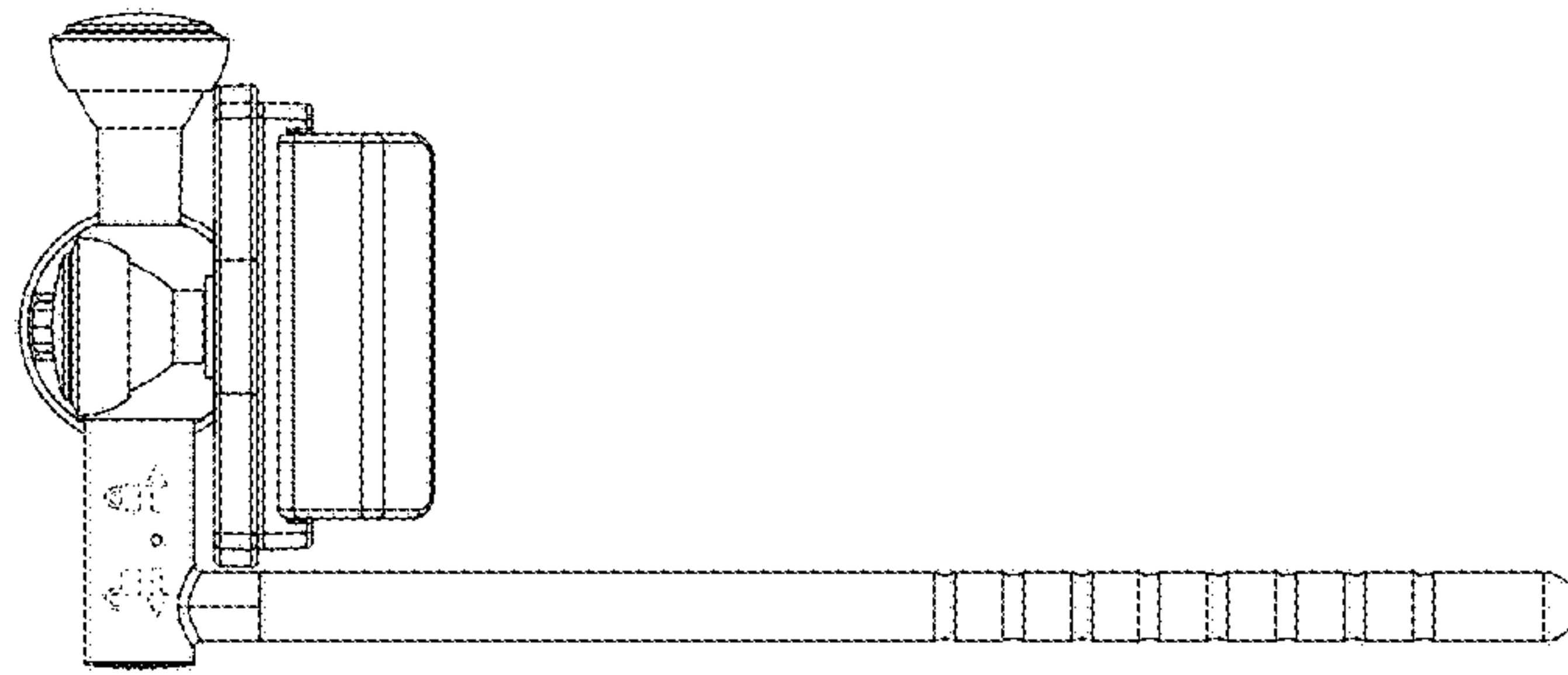


FIG. 17