



US00D843431S

(12) **United States Design Patent**
Jacob et al.

(10) **Patent No.:** **US D843,431 S**
(45) **Date of Patent:** **** Mar. 19, 2019**

(54) **CAMERA**

(71) Applicant: **GOOGLE LLC**, Mountain View, CA (US)

(72) Inventors: **Rochus Emmanuel Jacob**, San Francisco, CA (US); **Oliver Mueller**, San Francisco, CA (US); **Nicholas Unger Webb**, Menlo Park, CA (US); **Adam Duckworth Mittleman**, Redwood City, CA (US); **Jason Goulden**, Los Gatos, CA (US); **Kevin Edward Booth**, Mountain View, CA (US); **Tyler Scott Wilson**, San Francisco, CA (US); **Mark Kraz**, Santa Clara, CA (US); **Jeffrey Hui-Kwun Law**, San Francisco, CA (US); **William Dong**, Redwood City, CA (US)

(73) Assignee: **GOOGLE LLC**, Mountain View, CA (US)

(**) Term: **15 Years**

(21) Appl. No.: **29/609,550**

(22) Filed: **Jun. 30, 2017**

(30) **Foreign Application Priority Data**

Jan. 4, 2017 (EM) 003569169-00002

(51) **LOC (11) Cl.** **16-01**

(52) **U.S. Cl.**
USPC **D16/203**

(58) **Field of Classification Search**
USPC D16/200, 202–206, 218, 219, 242;
D26/1–3; 313/315, 318.01; 348/143,
(Continued)

(56) **References Cited**

U.S. PATENT DOCUMENTS

D435,576 S * 12/2000 McBride D16/203
D435,577 S * 12/2000 McBride D16/203

(Continued)

OTHER PUBLICATIONS

Google, Notification of Registration, 004086734, Jul. 14, 2017, 6 pgs.

Primary Examiner — Philip S Hyder
Assistant Examiner — Ramzi S Almatrahi
(74) *Attorney, Agent, or Firm* — Morgan, Lewis & Bockius LLP

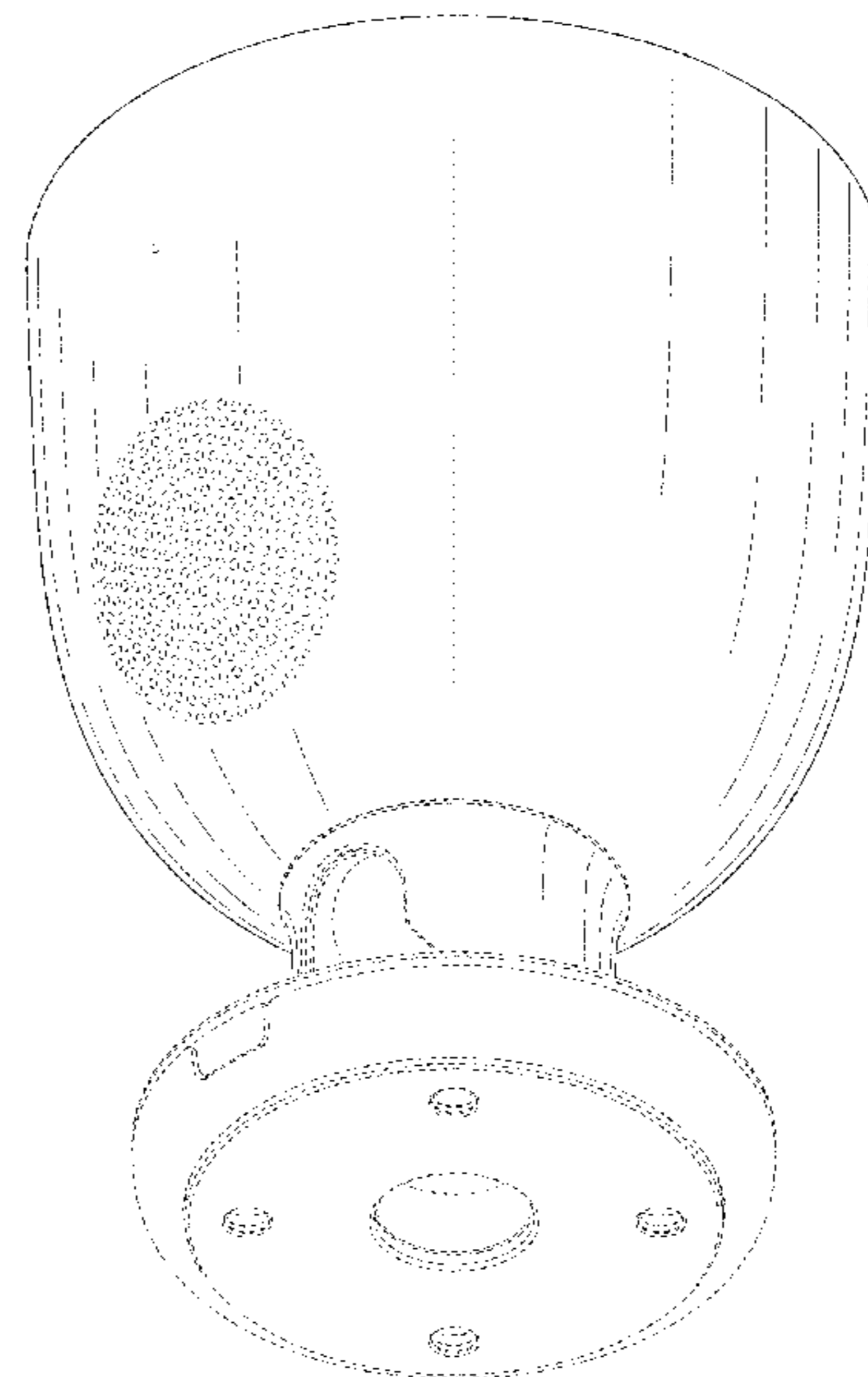
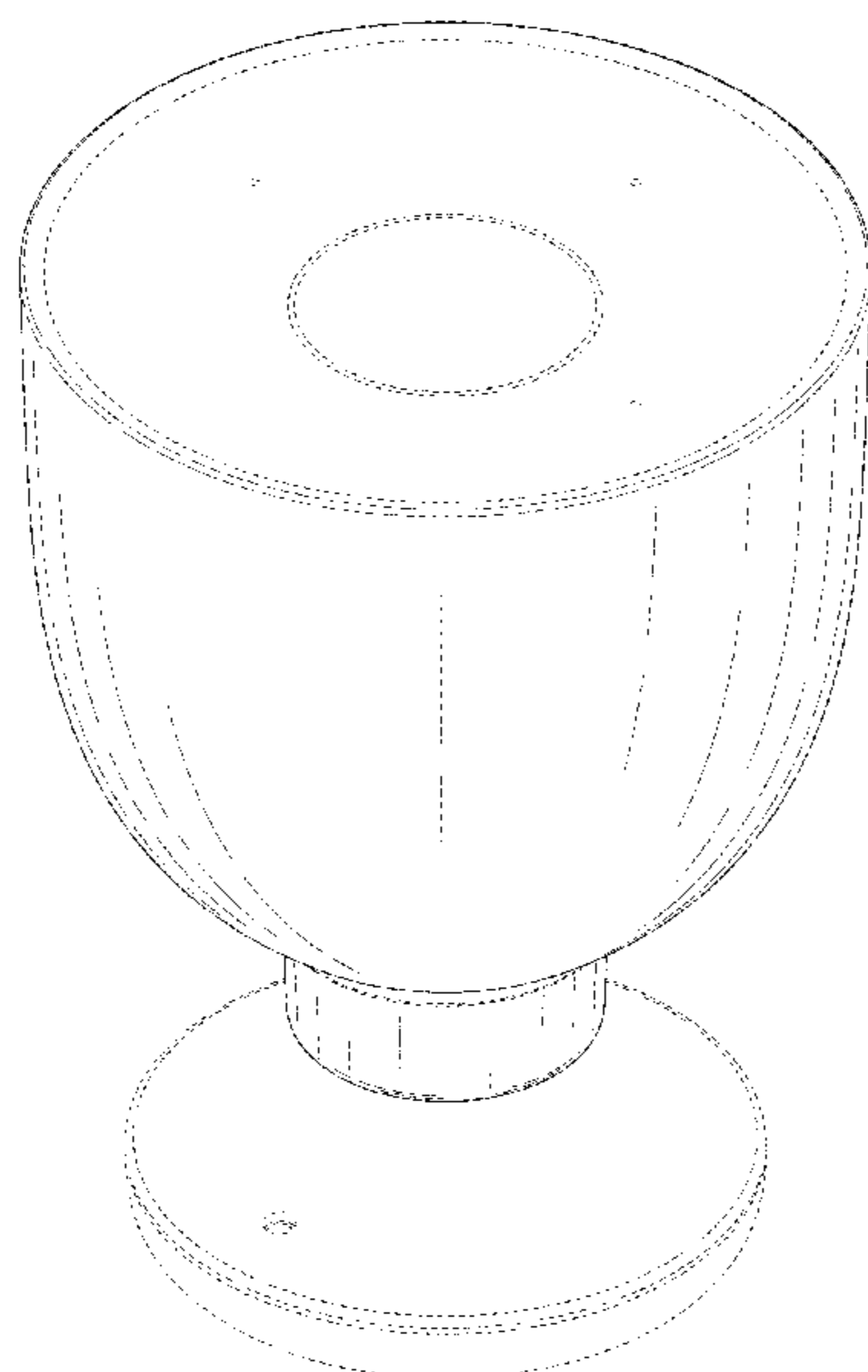
(57) **CLAIM**

The ornamental design for a camera, as shown and described.

DESCRIPTION

FIG. 1 is a front top perspective view of a camera showing our new design;
FIG. 2 is a rear bottom perspective view of the camera shown in FIG. 1;
FIG. 3 is a front elevational view of the camera shown in FIG. 1.
FIG. 4 is a rear elevational view of the camera shown in FIG. 1;
FIG. 5 is a left-side elevational view of the camera shown in FIG. 1;
FIG. 6 is a right-side elevational view of the camera shown in FIG. 1;
FIG. 7 is a top plan view of the camera shown in FIG. 1; and, FIG. 8 is bottom plan view of the camera shown in FIG. 1. The broken lines shown in the drawings represent portions of the camera that form no part of the claimed design.

1 Claim, 8 Drawing Sheets



(58) **Field of Classification Search**

USPC 348/148, 151, 373-376; 396/419, 427,
396/535, 539-541
CPC G03B 17/02; G03B 19/04; G03B 17/56;
G03B 17/04; G03B 15/03; H04N 5/2251;
H04N 5/2252; H04N 5/2253; H04N
5/2254; H04N 7/181; H04N 7/183; H04N
7/18; G08B 13/1963; G08B 13/19619;
G08B 13/19632

See application file for complete search history.

(56) **References Cited**

U.S. PATENT DOCUMENTS

D524,839 S *	7/2006	Wen	D16/202
D552,650 S *	10/2007	Yamakawa	D16/203
D695,809 S *	12/2013	Katori	D16/203
D705,334 S *	5/2014	Fransson	D16/203
D740,873 S *	10/2015	Scalisi	D16/203
D749,161 S *	2/2016	Scalisi	D16/203
D753,204 S *	4/2016	Luo	D16/202
D768,223 S *	10/2016	Wu	D16/203
2002/0131781 A1	9/2002	Buck	
2005/0275725 A1	12/2005	Olsson et al.	
2010/0128165 A1	5/2010	Newcomb et al.	
2011/0242321 A1	10/2011	Nakajima et al.	
2014/0240589 A1	8/2014	Hoof Van	
2015/0077555 A1 *	3/2015	Scalisi	H04M 1/0291 348/143

* cited by examiner

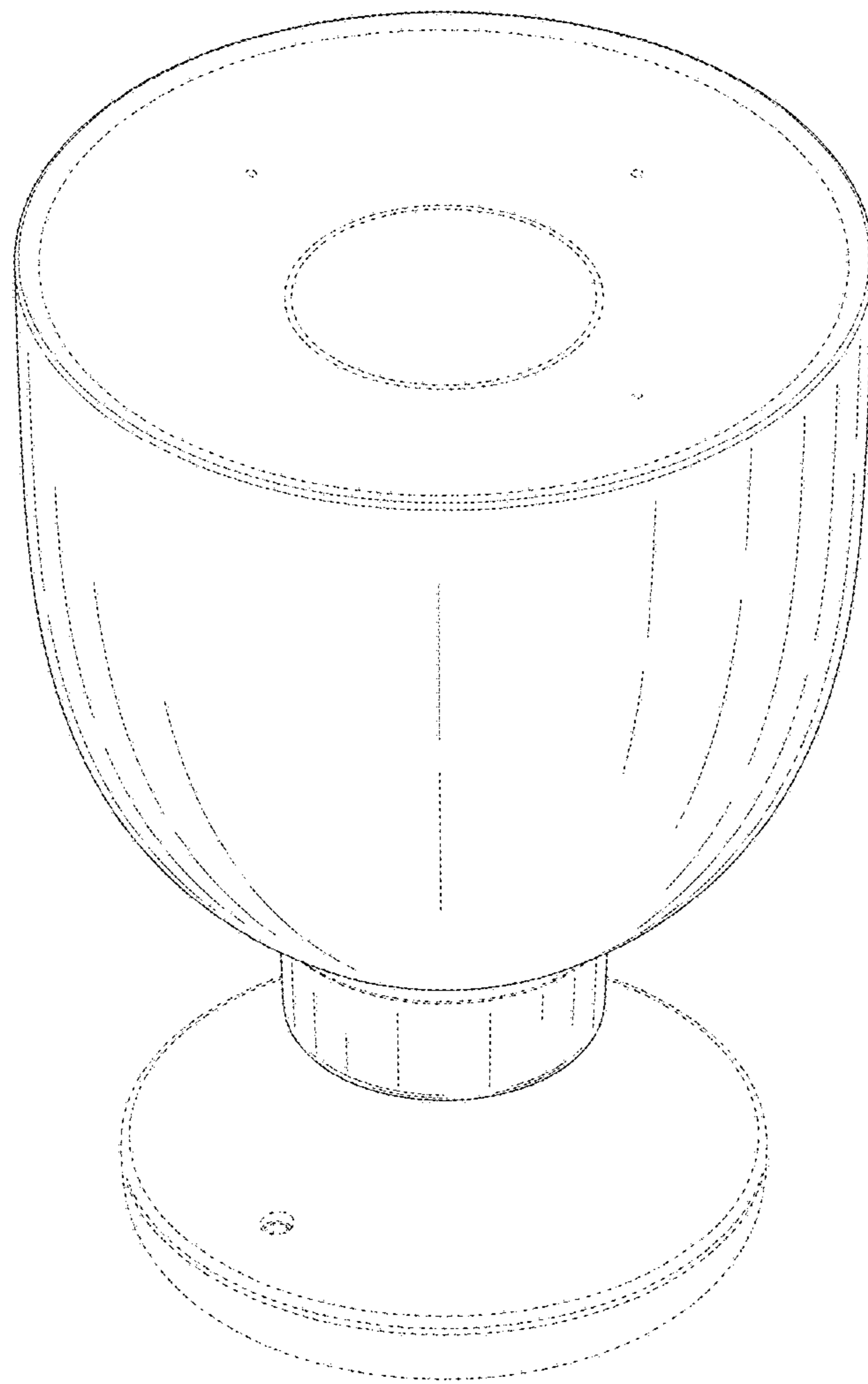


FIG. 1

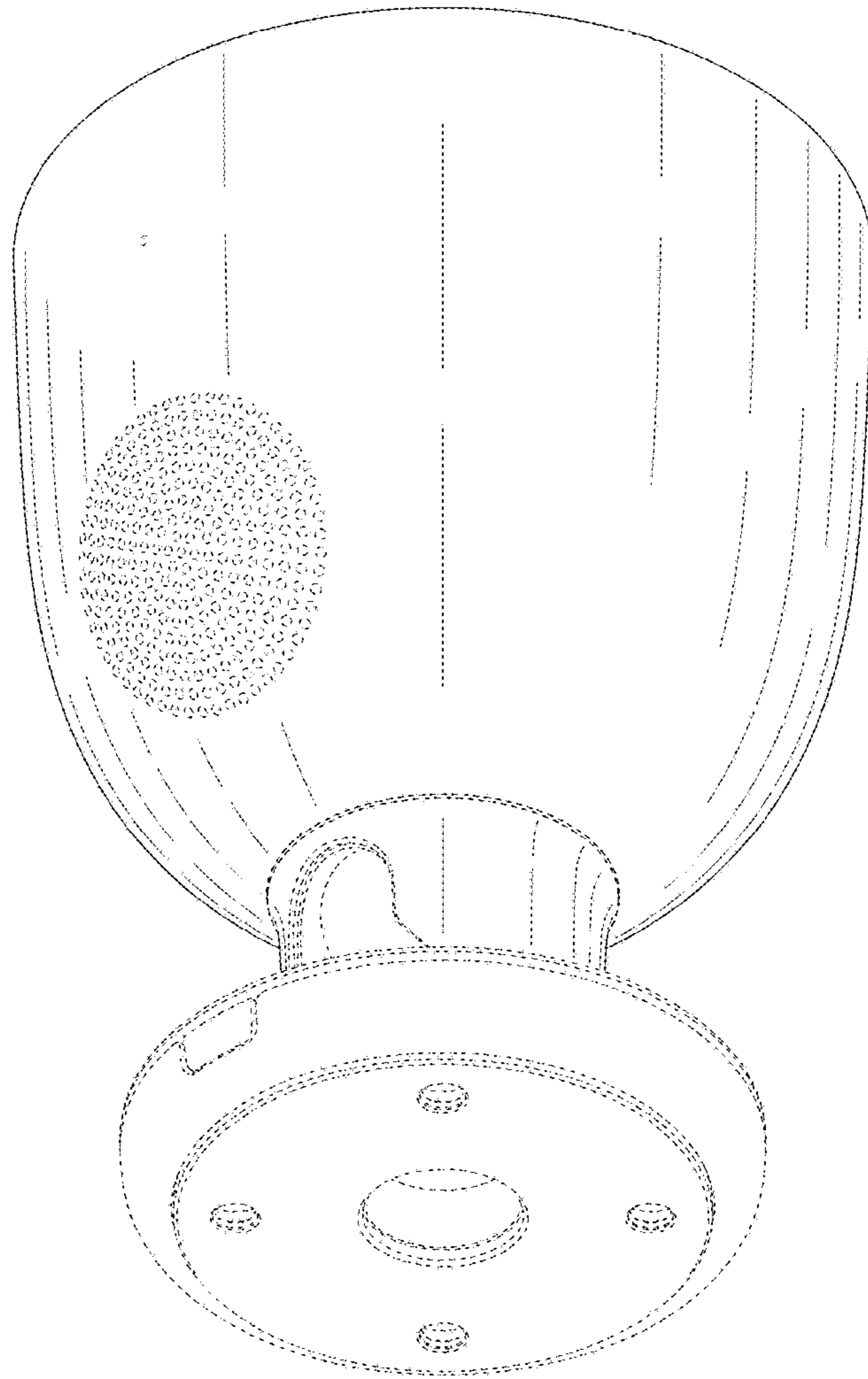


FIG. 2

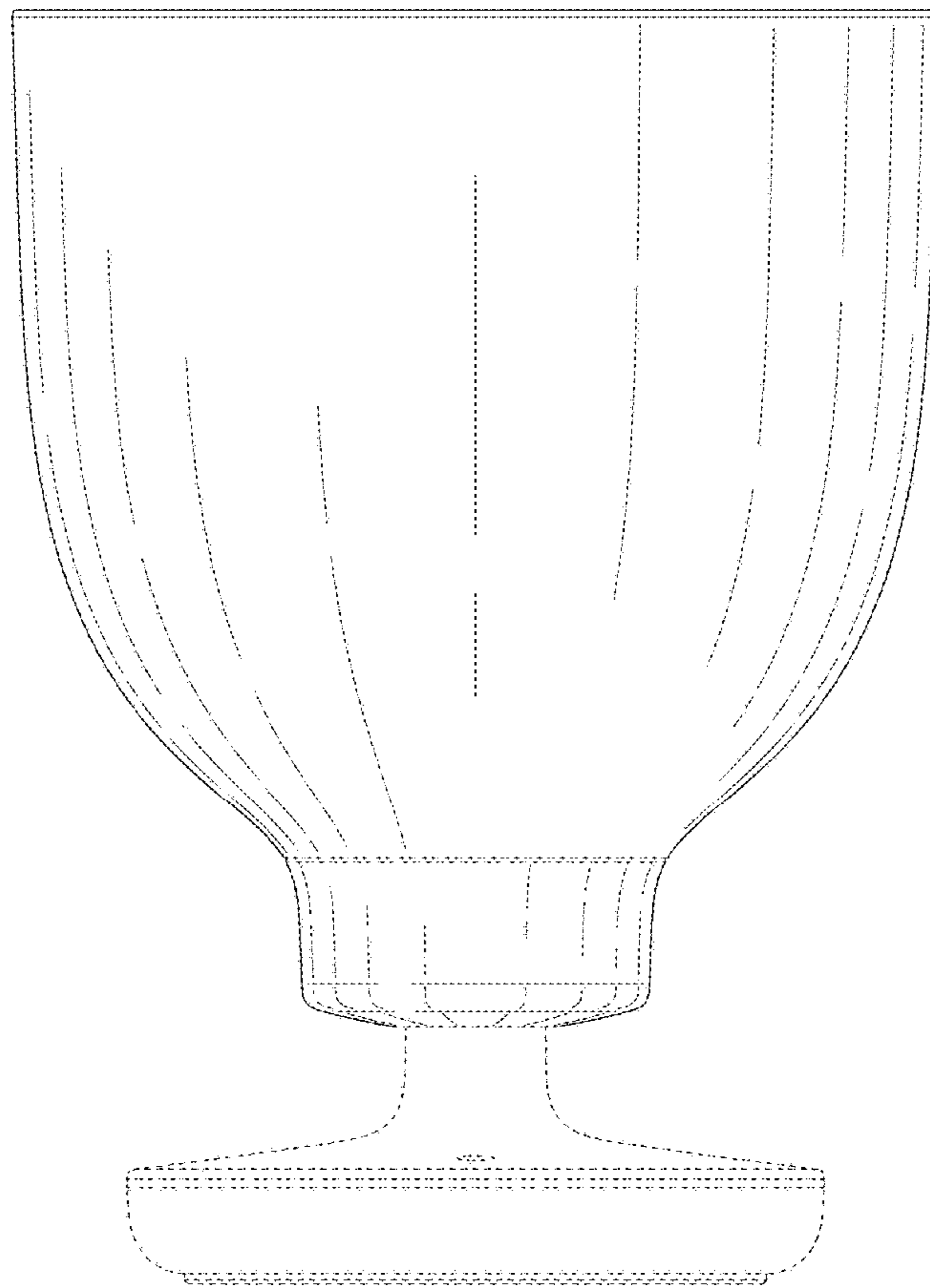


FIG. 3

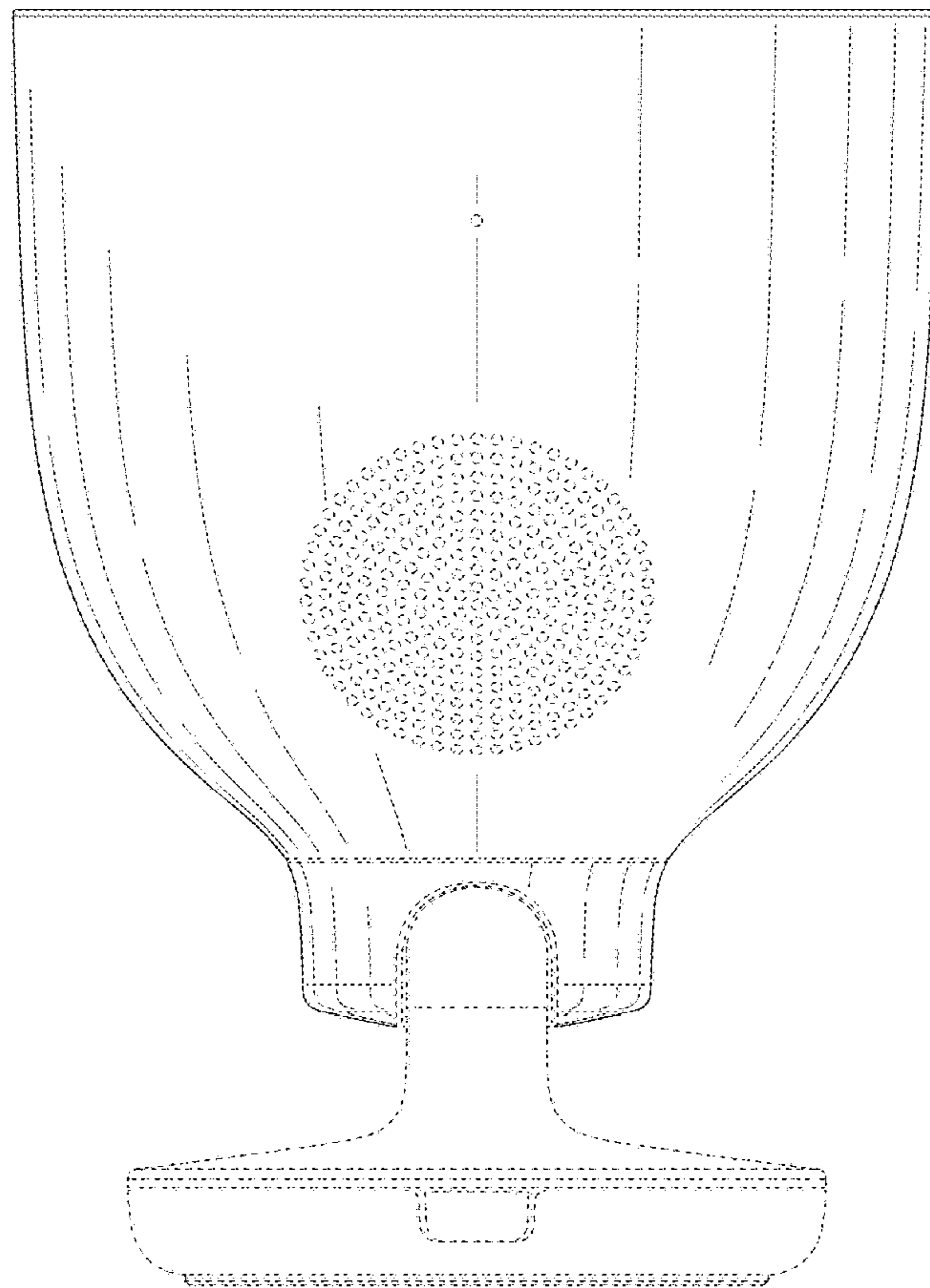


FIG. 4

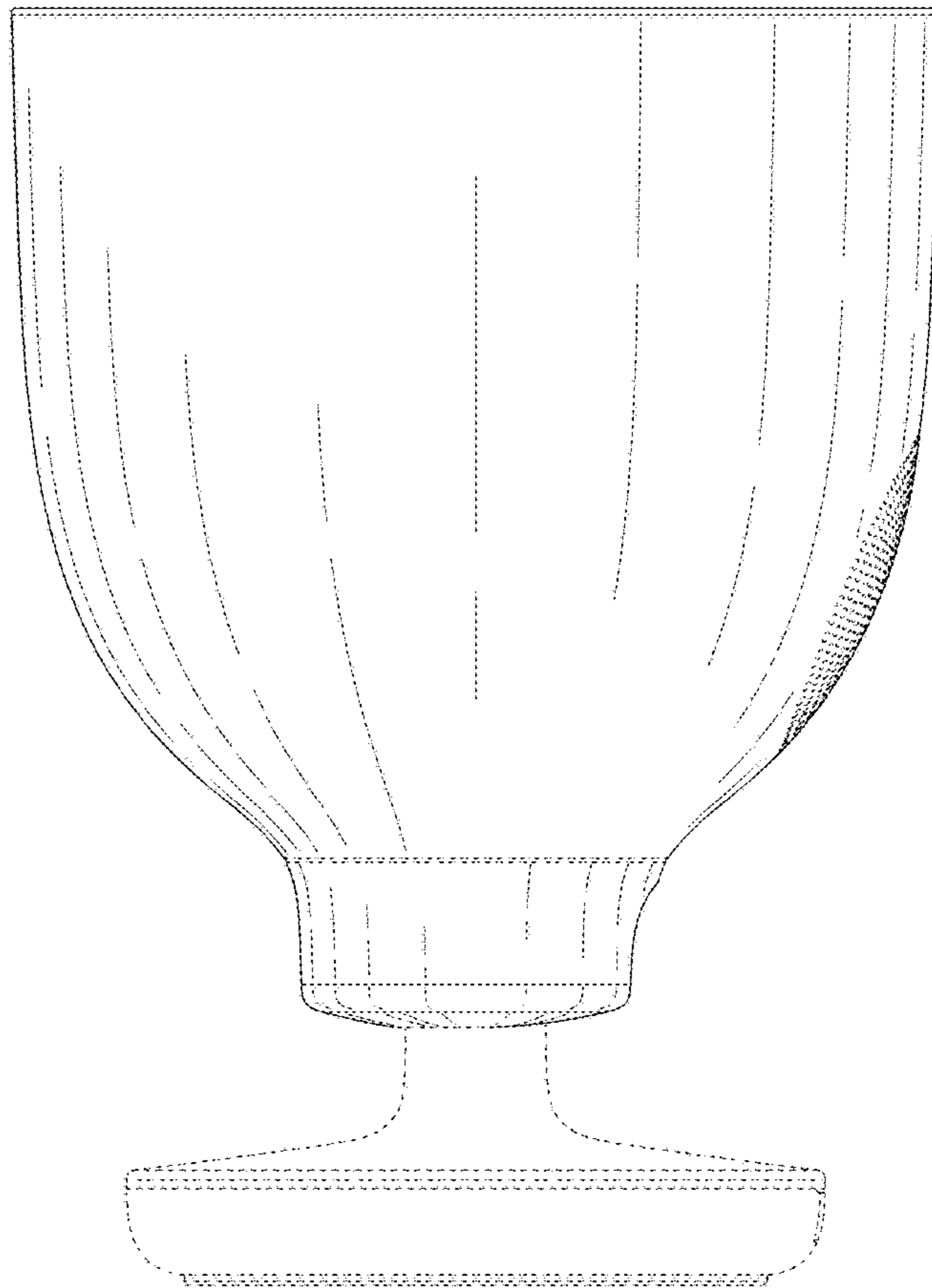


FIG. 5

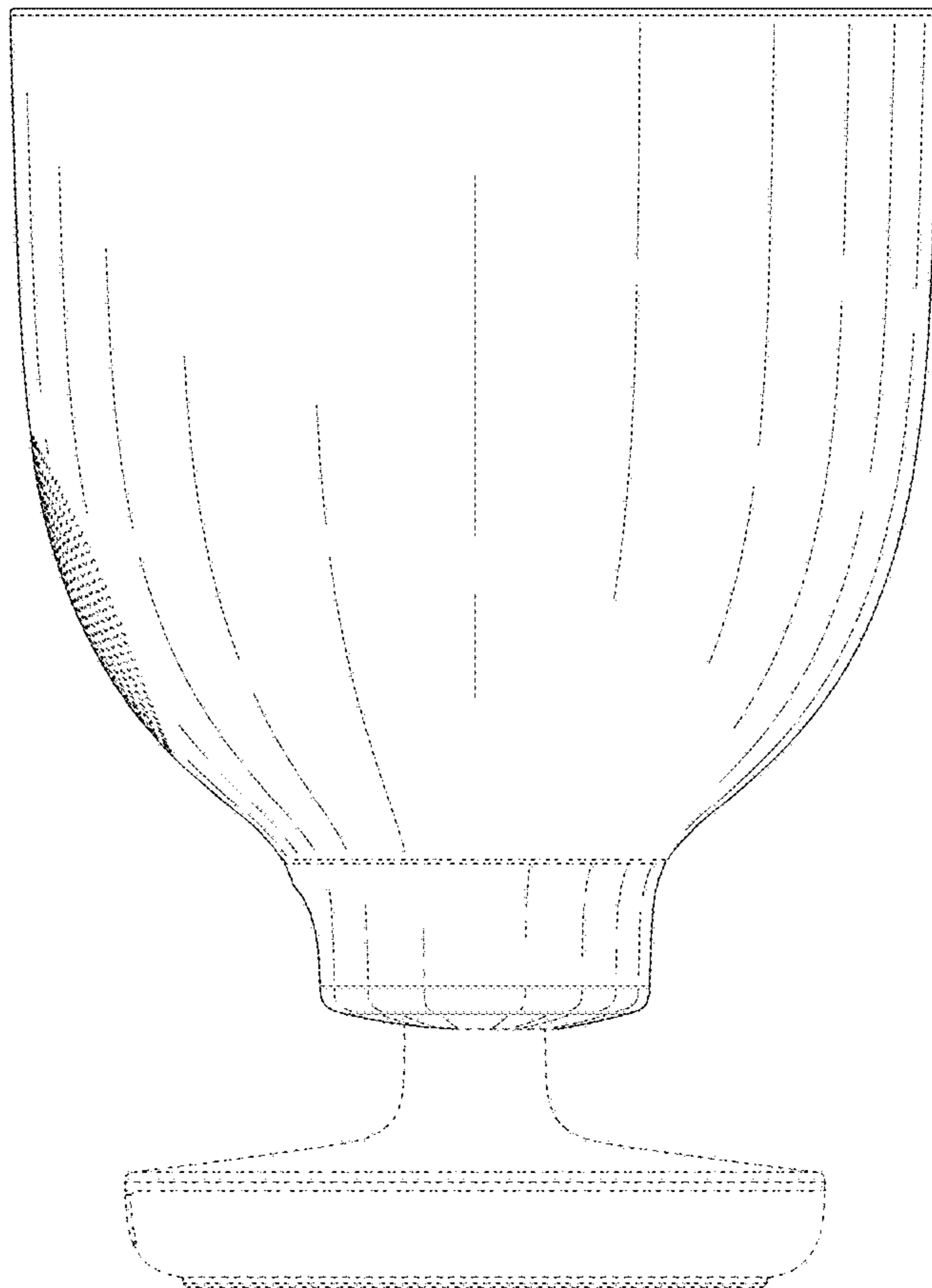


FIG. 6

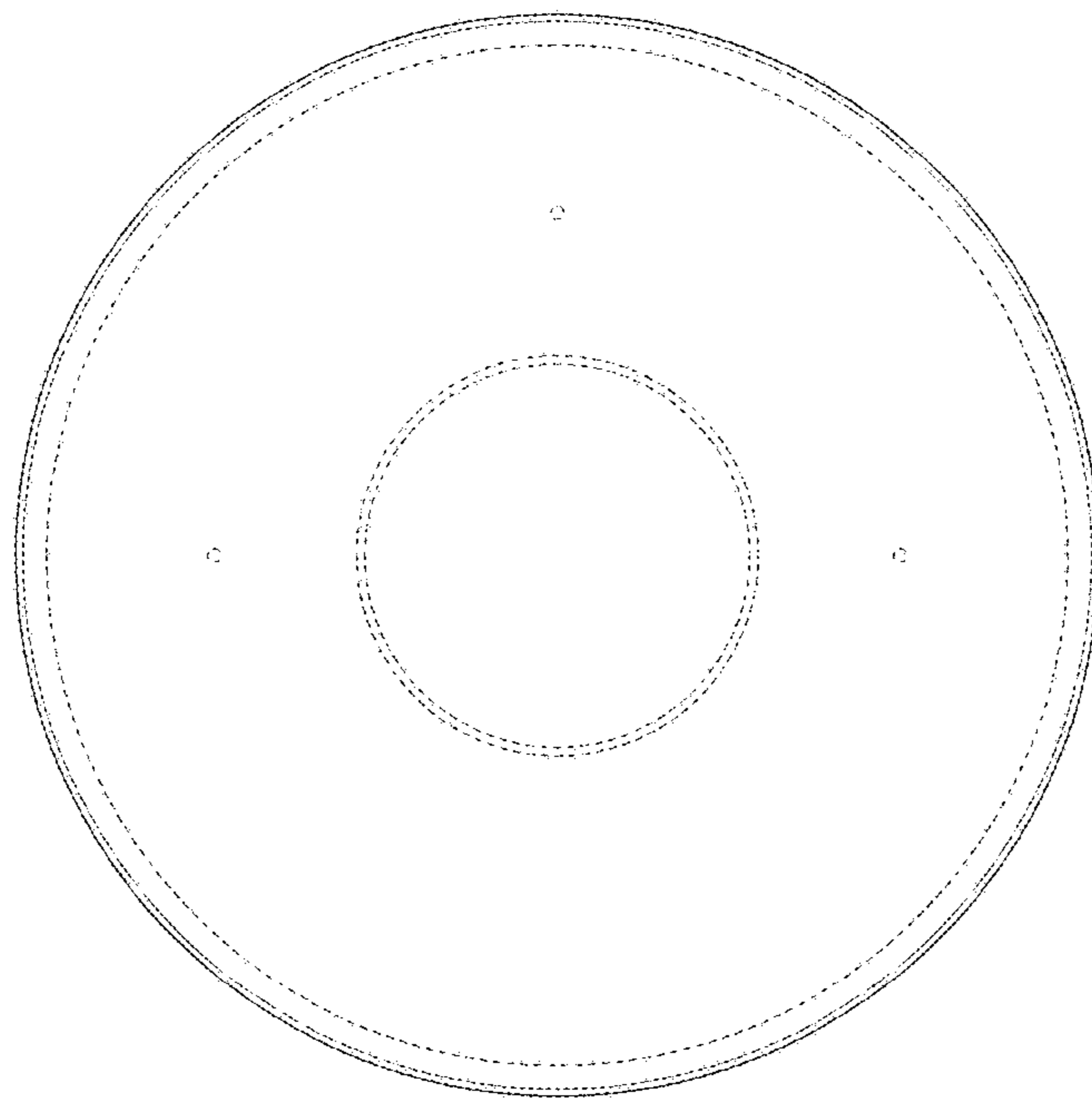


FIG. 7

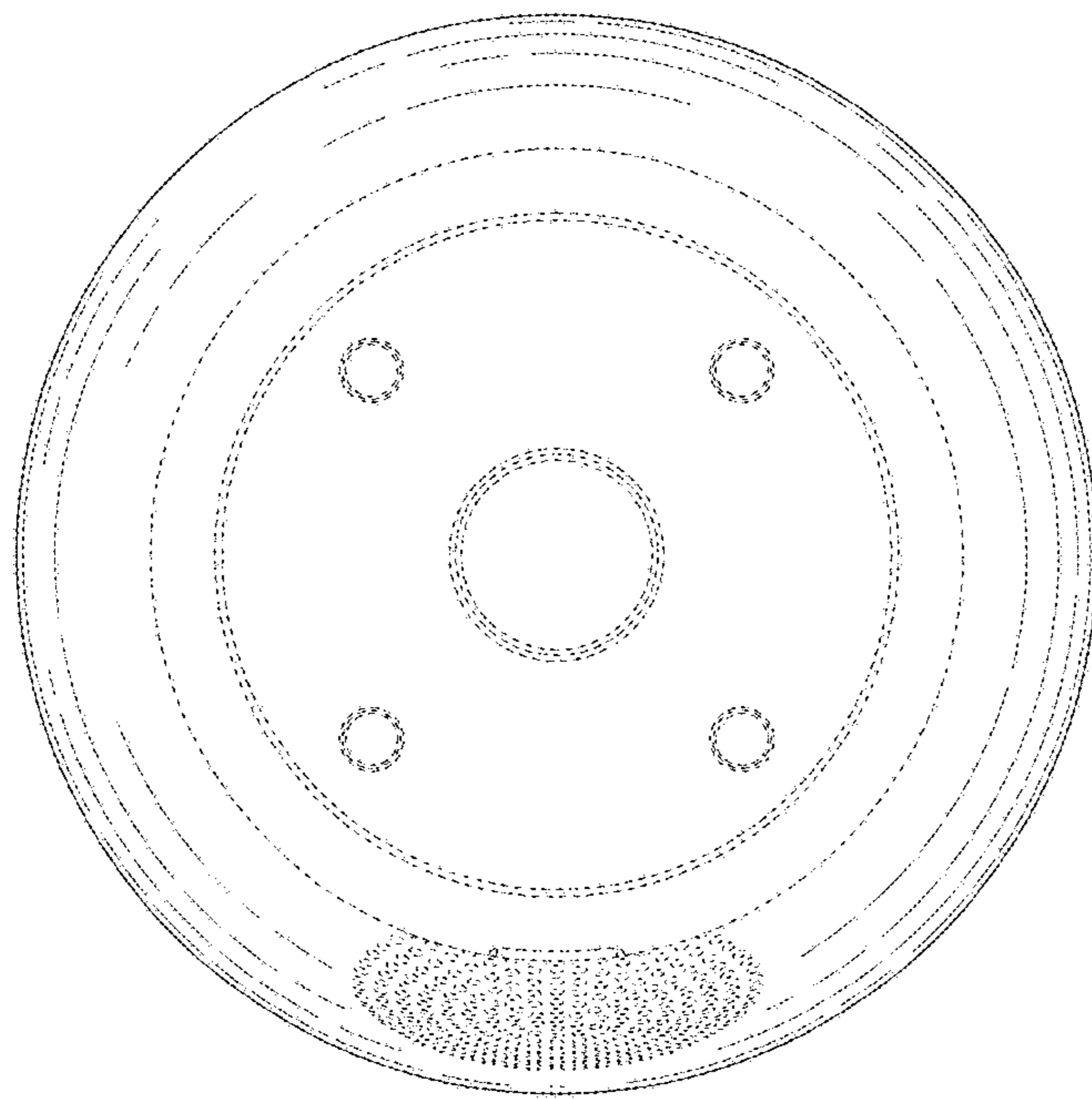


FIG. 8