



US00D843429S

(12) **United States Design Patent** (10) **Patent No.:** **US D843,429 S**
Cramb et al. (45) **Date of Patent:** **** Mar. 19, 2019**

(54) **CONFOCAL MICROSCOPE**
 (71) Applicant: **CALIBER IMAGING & DIAGNOSTICS, INC.**, Rochester, NY (US)

D690,342 S * 9/2013 Funakoshi D16/131
 D771,169 S * 11/2016 Weber D16/131
 D784,433 S * 4/2017 Weber D16/131
 D812,665 S * 3/2018 Klein D16/131
 2008/0151368 A1* 6/2008 Weiss G02B 21/06
 359/390
 2012/0162602 A1 6/2012 Huening et al.

(72) Inventors: **Allison L. Cramb**, Rochester, NY (US); **Christopher C. Distasio**, Rochester, NY (US); **William J. Fox**, Rochester, NY (US); **Benny Alexander**, Lakeway, TX (US); **Steven Ridge**, Glen Ellyn, IL (US); **Anthony J. Roberto**, Henrico, VA (US); **Tyler W. Porter**, Honeoye Falls, NY (US)

OTHER PUBLICATIONS

VivaScope(R) 1500/3000, MAVIG GmbH, 2011.
 (Continued)

(73) Assignee: **CALIBER IMAGING & DIAGNOSTICS, INC.**, Rochester, NY (US)

Primary Examiner — Mark A Goodwin
Assistant Examiner — Benjamin M Weeks
 (74) *Attorney, Agent, or Firm* — Kenneth J. Lukacher Law Group; Kenneth J. Lukacher

(**) Term: **15 Years**

(57) **CLAIM**

The ornamental design for a confocal microscope, as shown and described.

(21) Appl. No.: **29/584,240**

DESCRIPTION

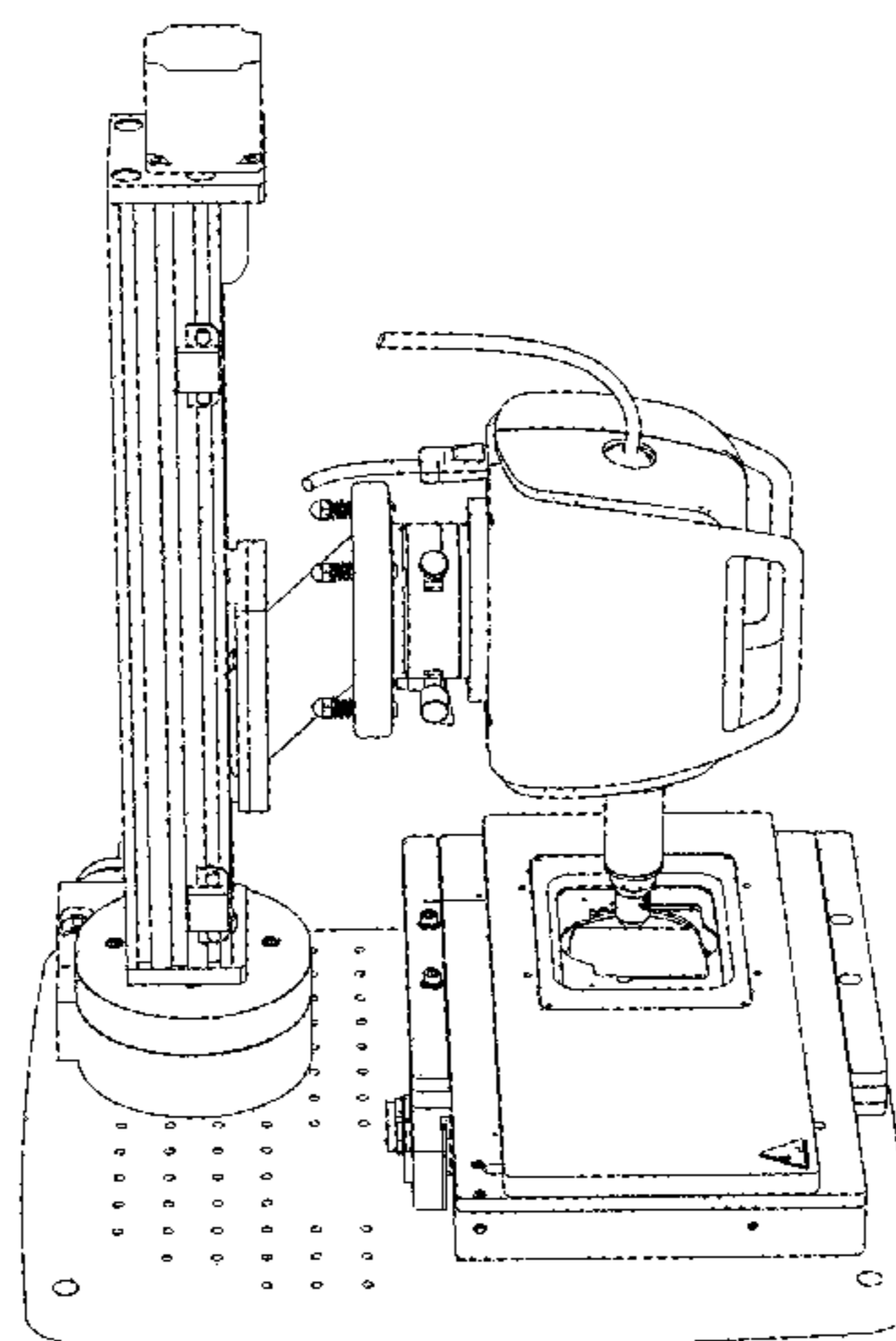
(22) Filed: **Nov. 12, 2016**
 (51) **LOC (11) Cl.** **16-06**
 (52) **U.S. Cl.**
 USPC **D16/131**
 (58) **Field of Classification Search**
 USPC D16/130, 132, 133, 134, 135, 202, 310, D16/140; D14/137
 CPC G02B 21/0004; G02B 21/22; G02B 21/24; G02B 21/06
 See application file for complete search history.

FIG. 1 is a perspective view looking downwardly at the left side of a confocal microscope in accordance with our design;
 FIG. 2 is a left side view thereof;
 FIG. 3 is a right side view thereof;
 FIG. 4 is a front elevation view thereof;
 FIG. 5 is a rear elevation view thereof;
 FIG. 6 is a top view thereof;
 FIG. 7 is a bottom view thereof;
 FIG. 8 is a perspective view looking at the right side thereof in which the imaging head of the confocal microscope is shown tilted from its position shown in FIGS. 1-6; and,
 FIG. 9 is a perspective view looking at the rear elevation thereof in which the imaging head of the confocal microscope is also shown tilted from its position shown in FIGS. 1-6.

(56) **References Cited**
 U.S. PATENT DOCUMENTS

D354,761 S * 1/1995 Komatsuzaki D16/131
 D492,997 S 7/2004 Distasio
 D523,883 S 6/2006 Distasio et al.
 7,564,625 B2 7/2009 McLeod et al.

1 Claim, 9 Drawing Sheets



(56)

References Cited

OTHER PUBLICATIONS

Design U.S. Appl. No. 29/540,725, filed Sep. 27, 2015 with Filing Receipt.

Scanning Stage SCANplus IM, Marzhauser Wetzlar GmbH & Co. KG, Mar. 2016.

Velmex Rotary Tables, Velmex, Inc., at least as early as Nov. 6, 2016.

Motorized BiSlide Systems, Velmex, Inc., http://www.velmex.com/Products/BiSlide/BiSlide_Motorized.html, printed Nov. 6, 2016.

Precision Rotation Stage Model UTR80, Newport Corp., <http://www.newport.com/p/UTR80>, printed Nov. 7, 2016.

Vexta 2-Phase Stepping Motor, <http://www.skycraftsurplus.com/vexta2-phasesteppingmotor18degstep.aspx>, printed Nov. 9, 2016.

* cited by examiner

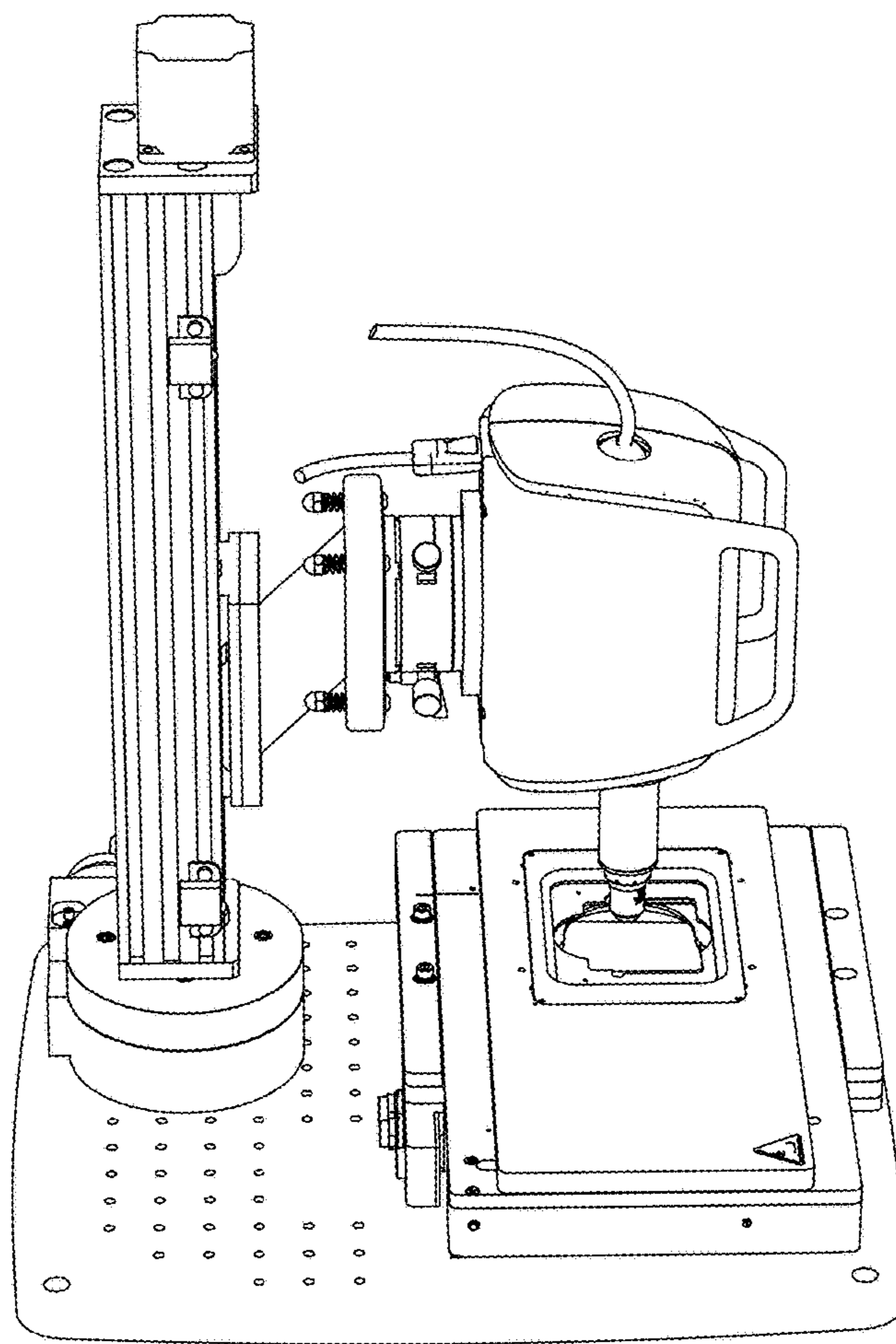


FIG. 1

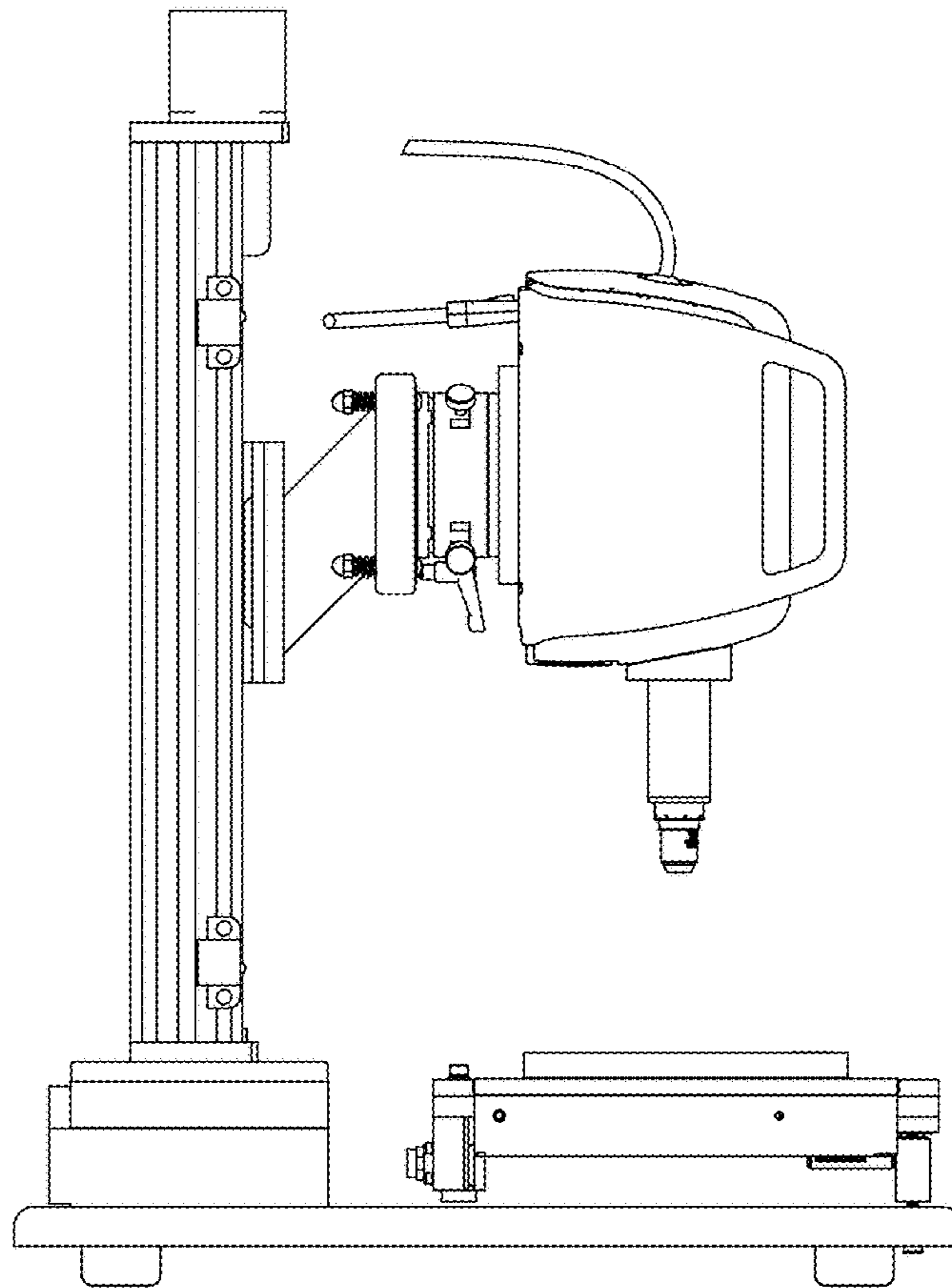


FIG. 2

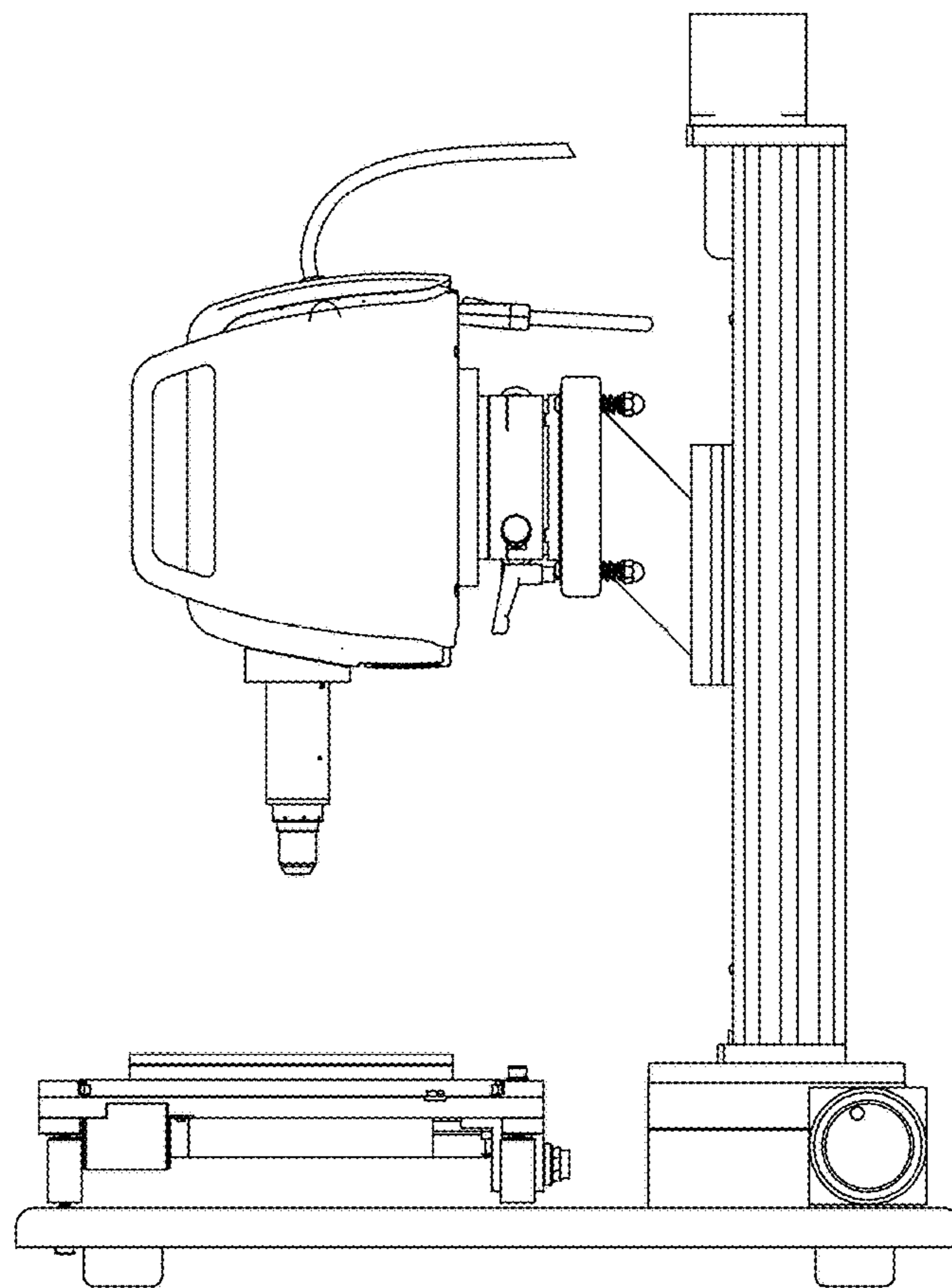


FIG. 3

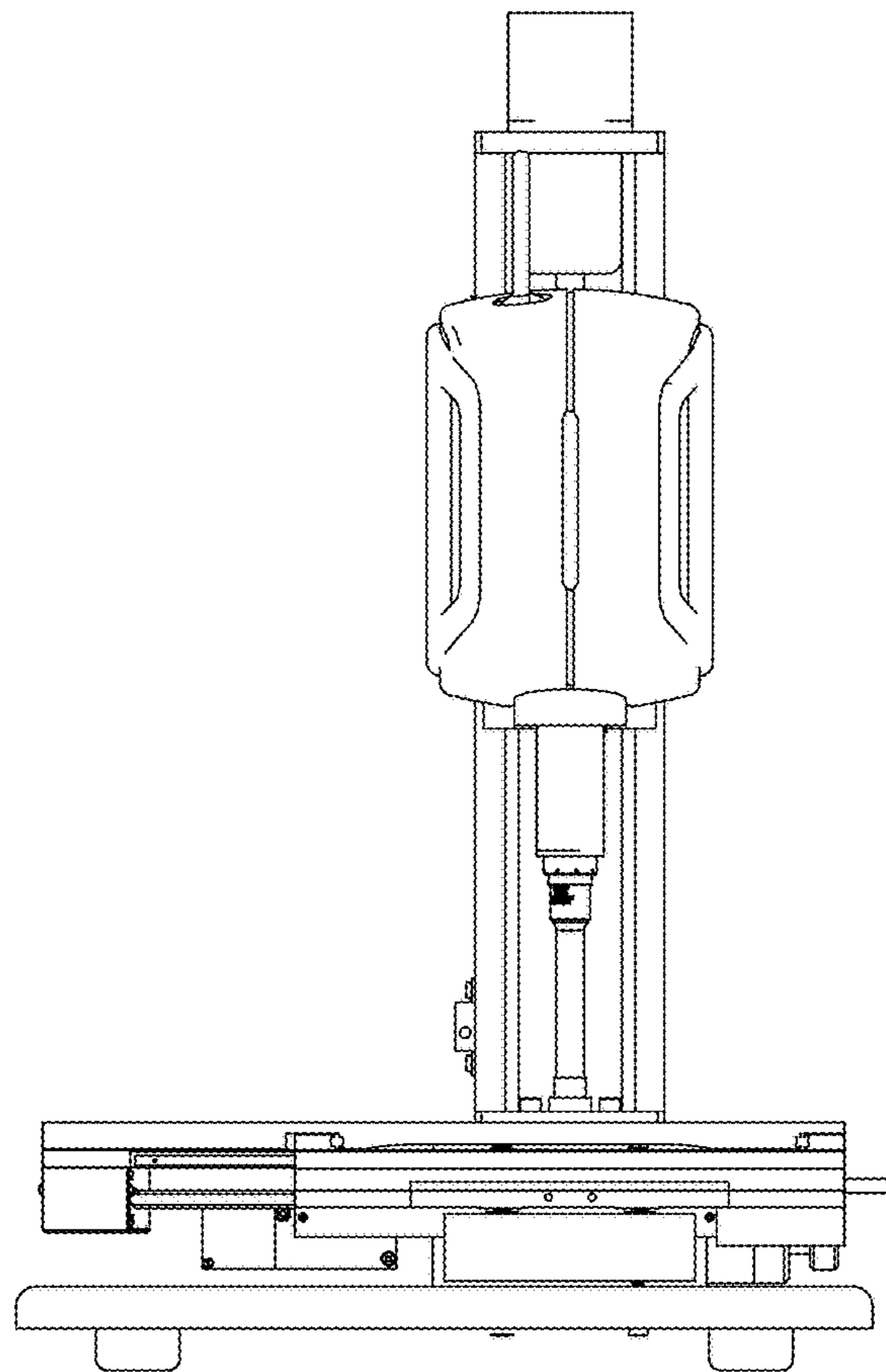


FIG. 4

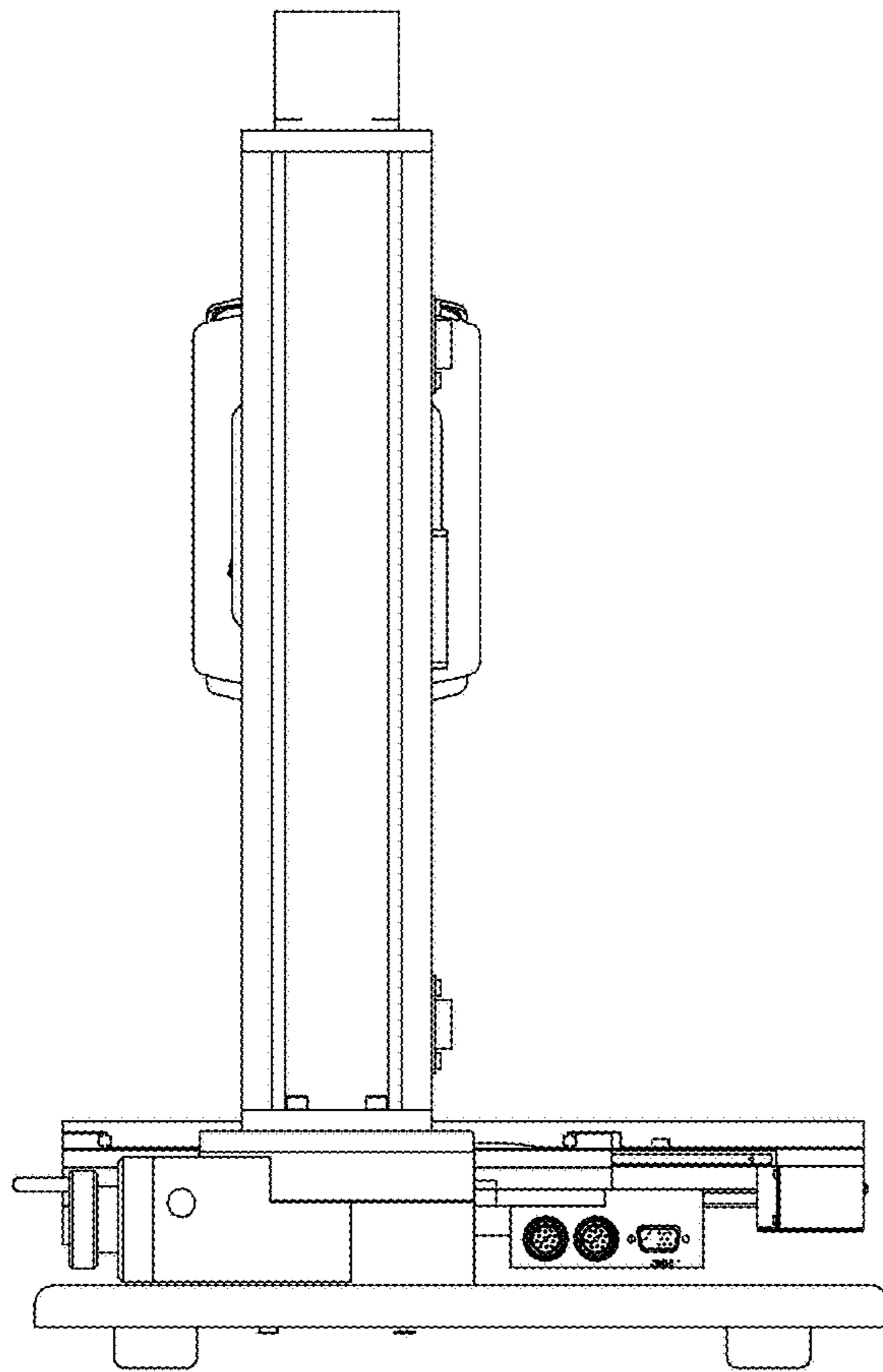


FIG. 5

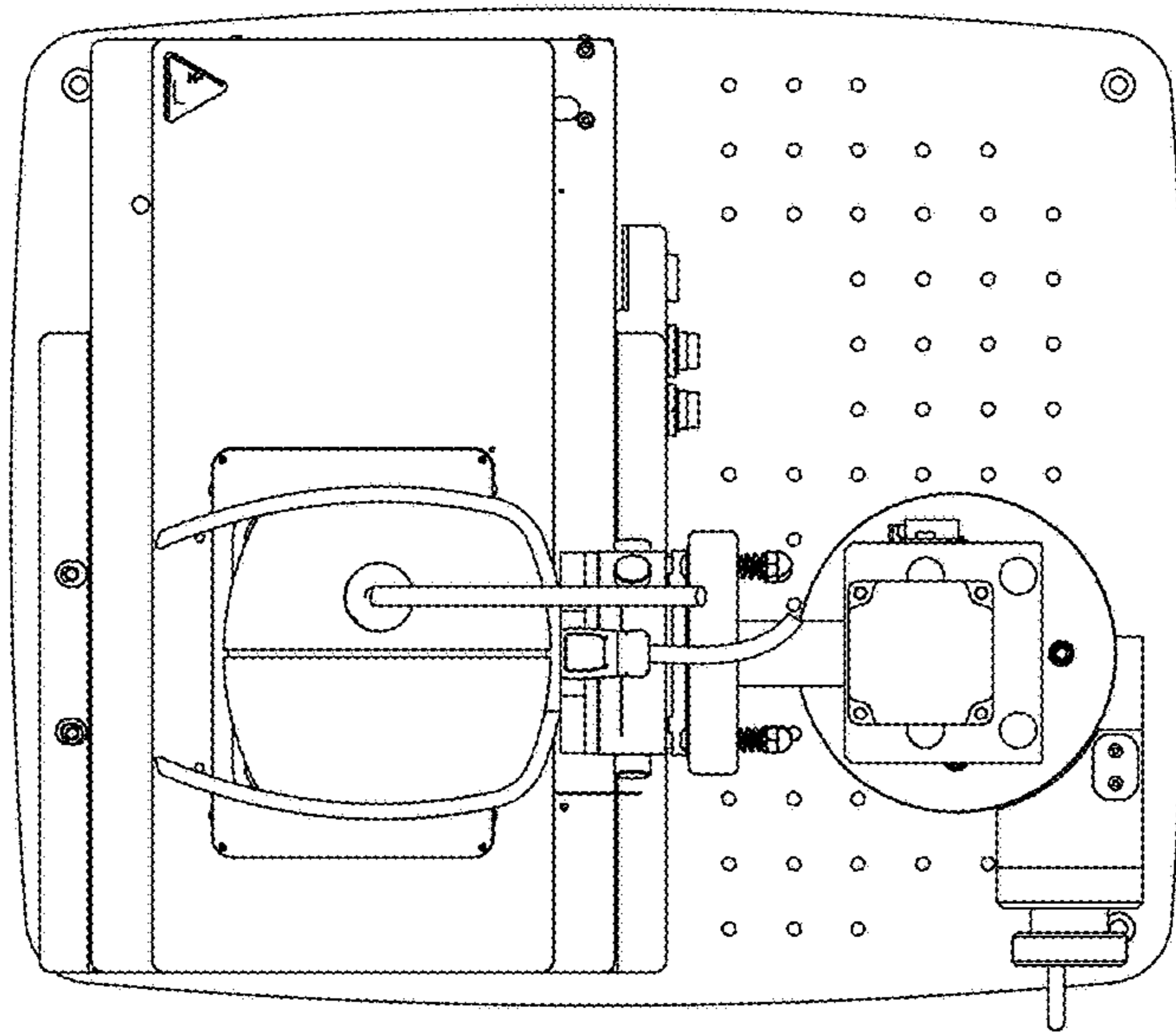


FIG. 6

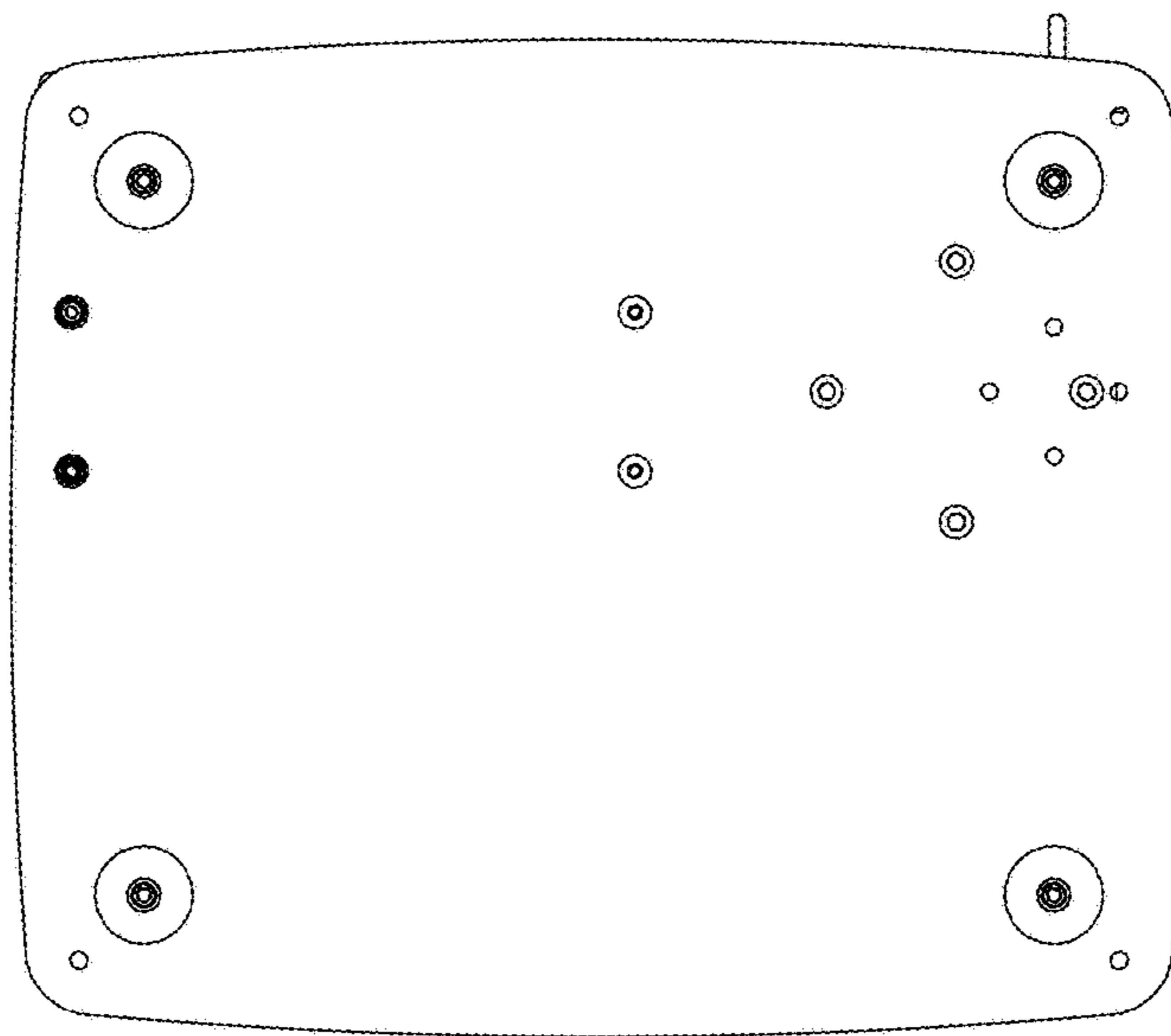


FIG. 7

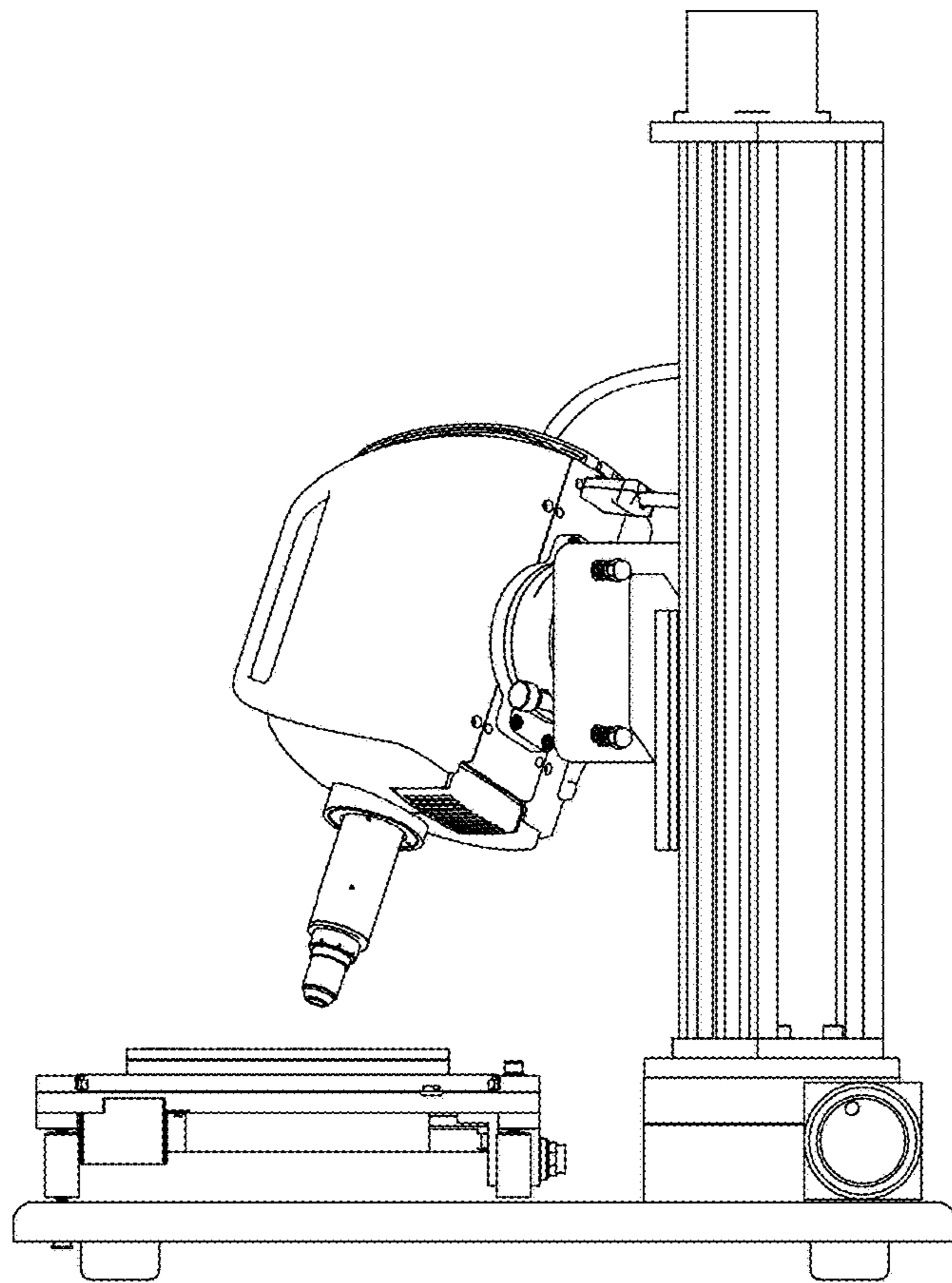


FIG. 8

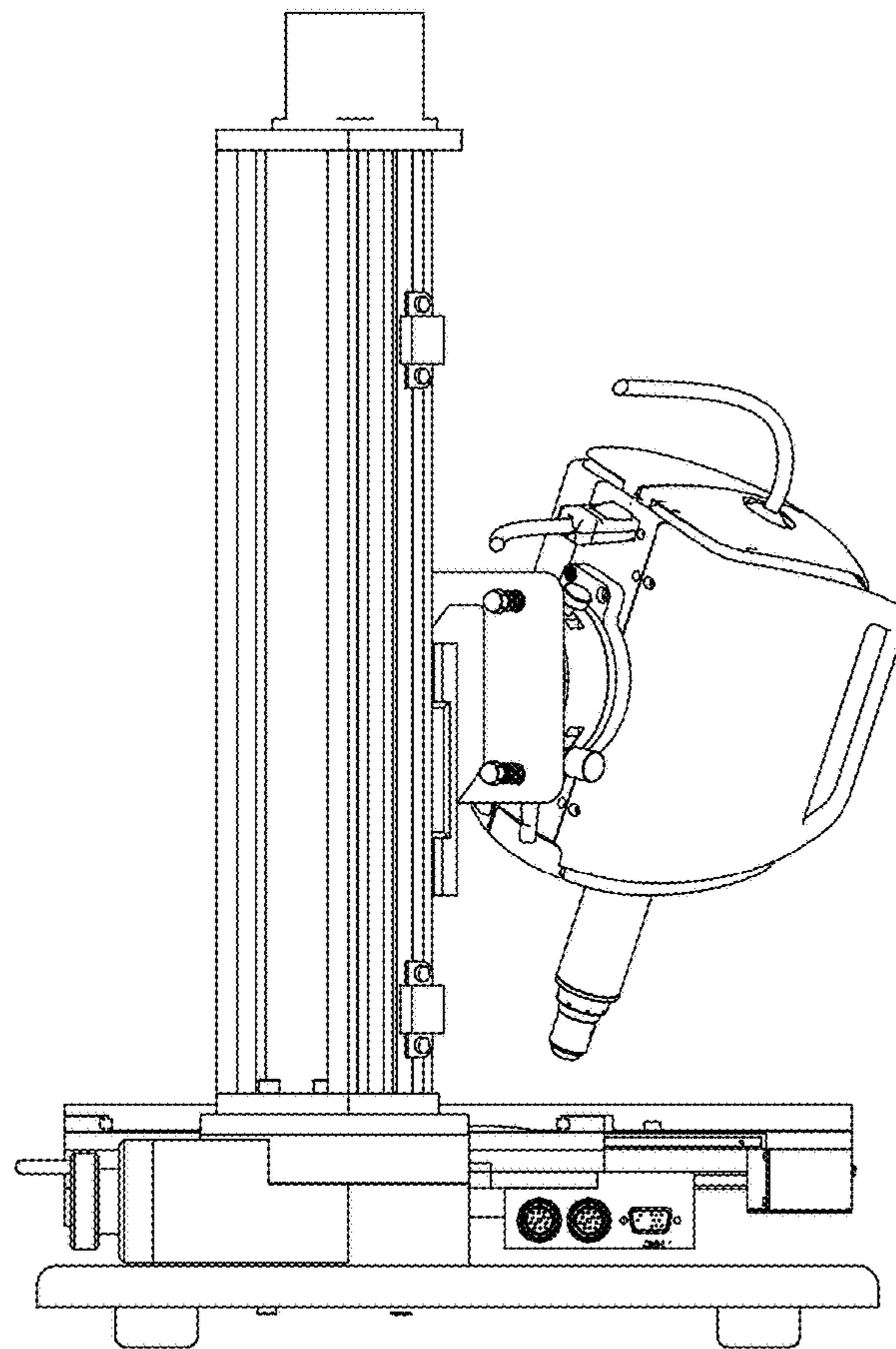


FIG. 9