



US00D843428S

(12) **United States Design Patent**
Gee et al.

(10) **Patent No.:** **US D843,428 S**
(45) **Date of Patent:** **** Mar. 19, 2019**

(54) **INVENTORY-TRACKING ROBOTIC SYSTEM**

(71) Applicant: **Simbe Robotics, Inc.**, San Francisco, CA (US)

(72) Inventors: **Jeffrey Gee**, San Francisco, CA (US); **Bradley Bogolea**, San Francisco, CA (US); **Mirza Akbar Shah**, San Francisco, CA (US)

(73) Assignee: **Simbe Robotics, Inc.**, San Francisco, CA (US)

(**) Term: **15 Years**

(21) Appl. No.: **29/645,992**

(22) Filed: **Apr. 30, 2018**

Related U.S. Application Data

(63) Continuation-in-part of application No. 29/601,156, filed on Apr. 19, 2017, now Pat. No. Des. 819,712.

(51) **LOC (11) Cl.** **15-99**

(52) **U.S. Cl.**
USPC **D15/199**

(58) **Field of Classification Search**
USPC D15/199; D21/369, 578-583, 621, 622
CPC ... B25J 5/00; B25J 5/007; B25J 9/0006; B25J 19/0016; Y10S 901/01; Y10S 901/19; Y10S 901/27

See application file for complete search history.

(56) **References Cited**

U.S. PATENT DOCUMENTS

D644,256 S *	8/2011	Kitano	D15/199
D675,656 S *	2/2013	Sutherland	D15/199
D715,941 S *	10/2014	Li	D24/158
D723,026 S *	2/2015	Birgeoglu	D14/307
D725,166 S *	3/2015	Paik	D15/199
D735,258 S *	7/2015	Jang	D15/199

D760,671 S *	7/2016	Chalabi	D14/125
D766,644 S *	9/2016	Huang	D15/199
D776,651 S *	1/2017	Yates	D14/307
D778,276 S *	2/2017	Berini	D14/307
D799,473 S *	10/2017	Brown	D14/307
9,776,327 B2 *	10/2017	Pinter	B25J 9/1676

(Continued)

Primary Examiner — Patricia A Palasik
(74) *Attorney, Agent, or Firm* — Run8 Patent Group, LLC; Peter Miller

(57) **CLAIM**

The ornamental design for an inventory-tracking robotic system, as shown and described.

DESCRIPTION

FIG. 1 is a front elevation view of an inventory-tracking robotic system.

FIG. 2 is a rear elevation view of the inventory-tracking robotic system.

FIG. 3 is a left side elevation view of the inventory-tracking robotic system.

FIG. 4 is a right side elevation view of the inventory-tracking robotic system.

FIG. 5 is a bottom plan view of the inventory-tracking robotic system.

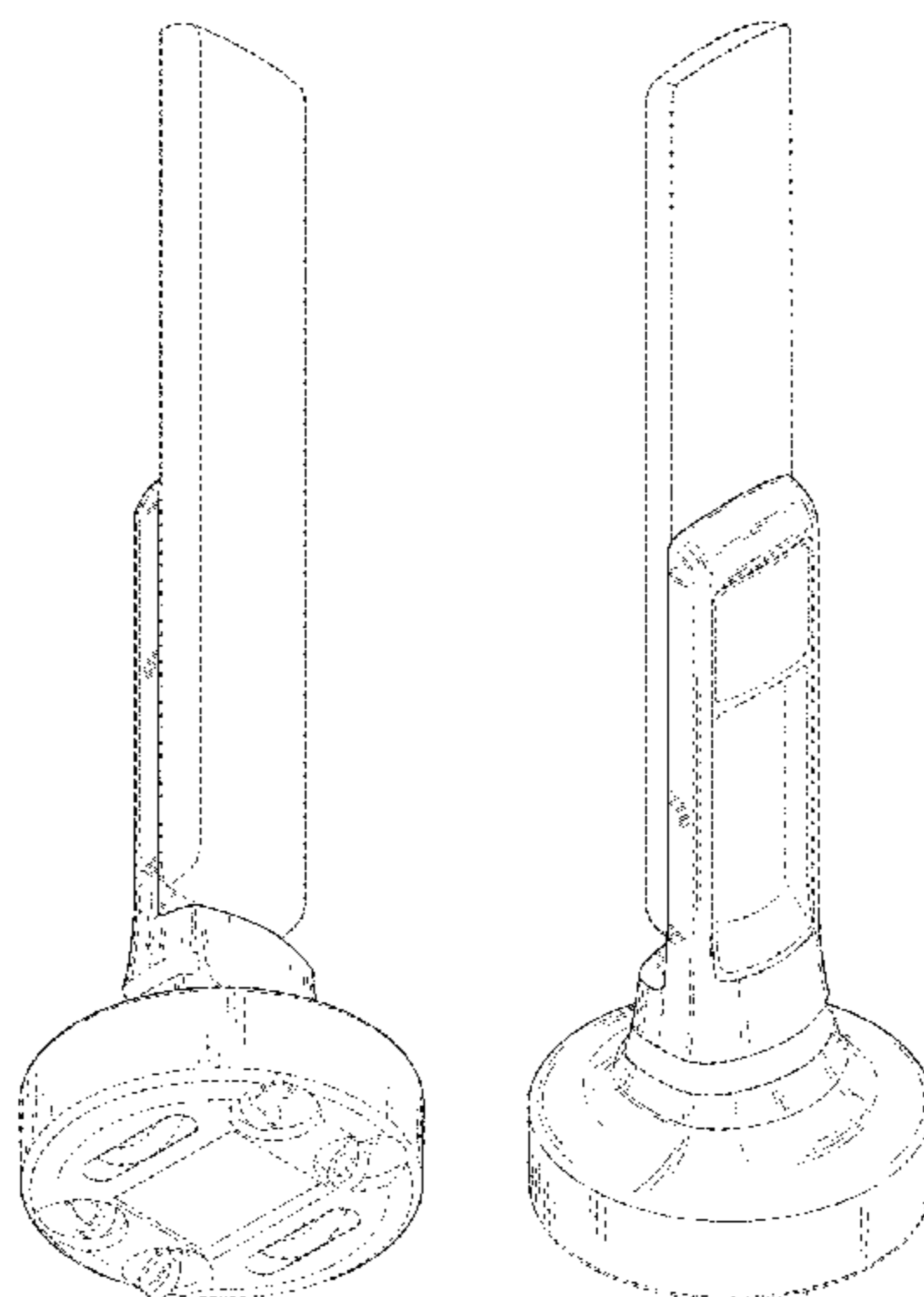
FIG. 6 is a top plan view of the inventory-tracking robotic system.

FIG. 7 is a rear lower left isometric view of the inventory-tracking robotic system; and,

FIG. 8 is a front upper right isometric view of the inventory-tracking robotic system.

Some broken lines shown in the FIGURES depict environmental structure. Other broken lines shown in the FIGURES depict alternative surfaces of portions of the inventory-tracking robotic system. However, no broken line shown in the FIGURES forms any part of the design claimed in the instant Application.

1 Claim, 4 Drawing Sheets



(56)

References Cited

U.S. PATENT DOCUMENTS

D802,040 S *	11/2017	Canoso	D15/199
2010/0010672 A1 *	1/2010	Wang	B25J 5/00
			700/259
2016/0059408 A1 *	3/2016	Isobe	B25J 5/007
			700/253
2016/0107317 A1 *	4/2016	Hashimoto	B25J 9/042
			414/744.2

* cited by examiner

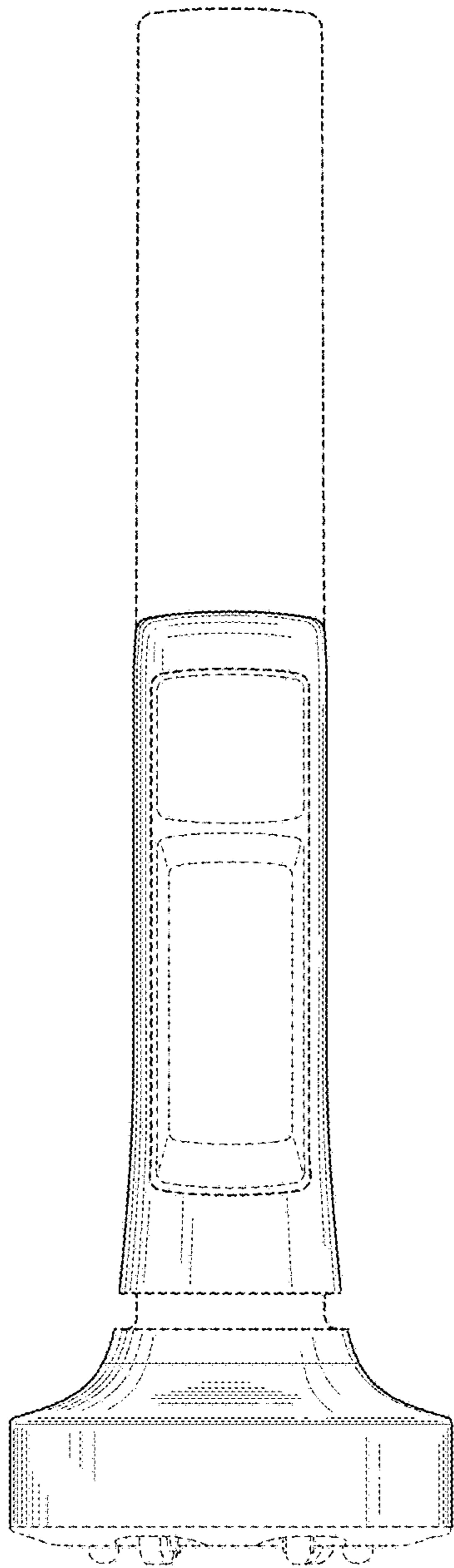


FIG. 1

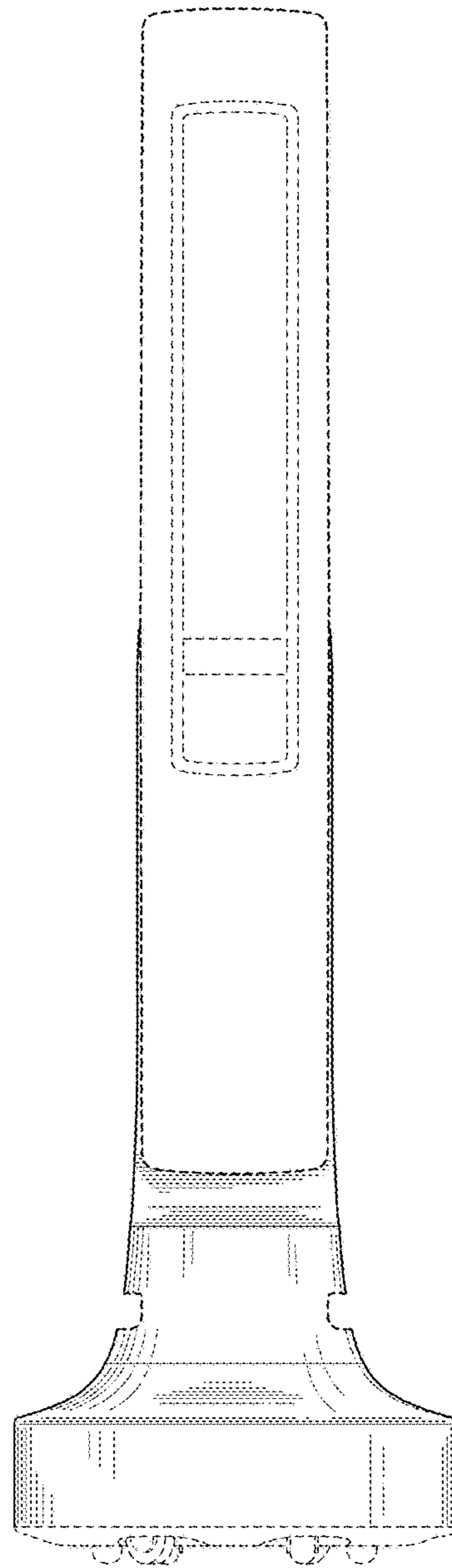


FIG. 2

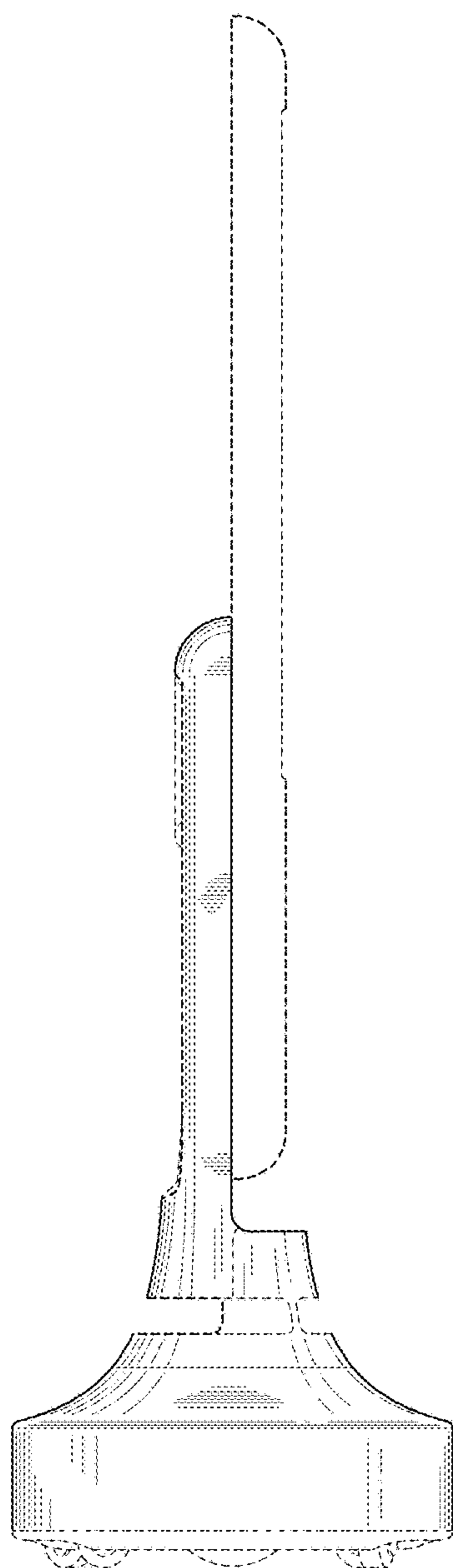


FIG. 3

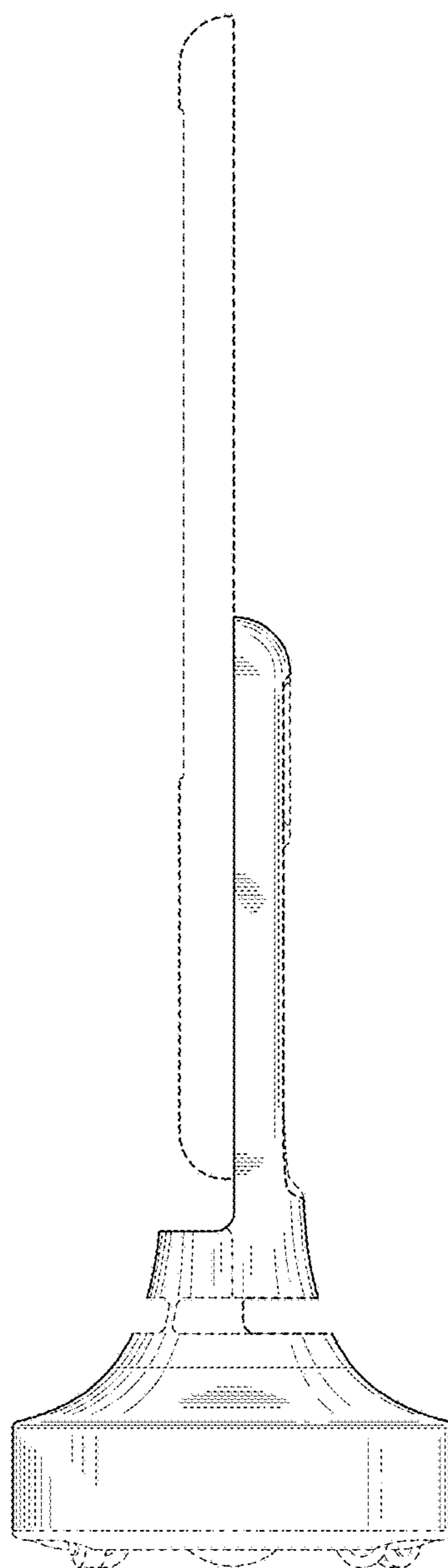


FIG. 4

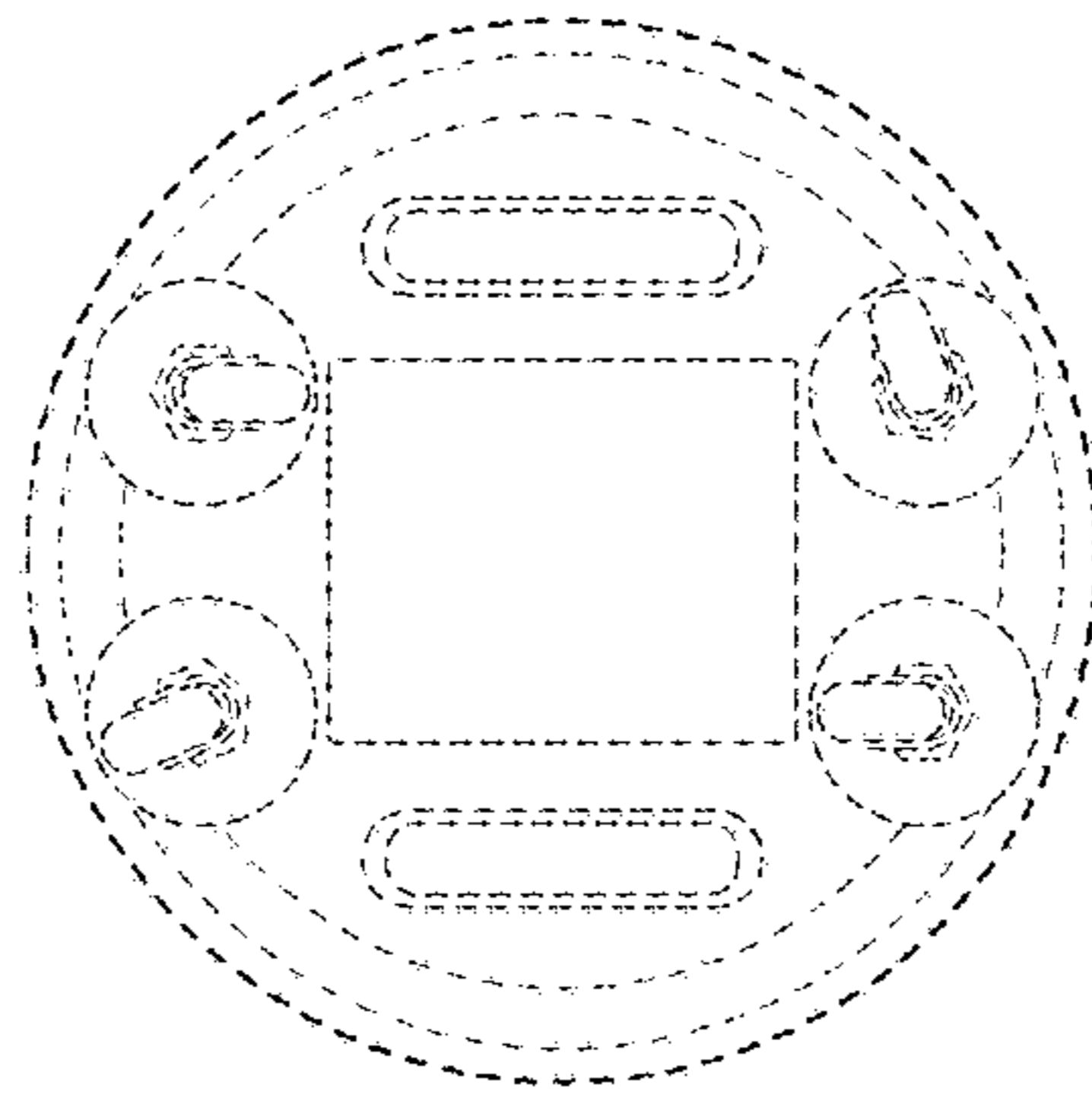


FIG. 5

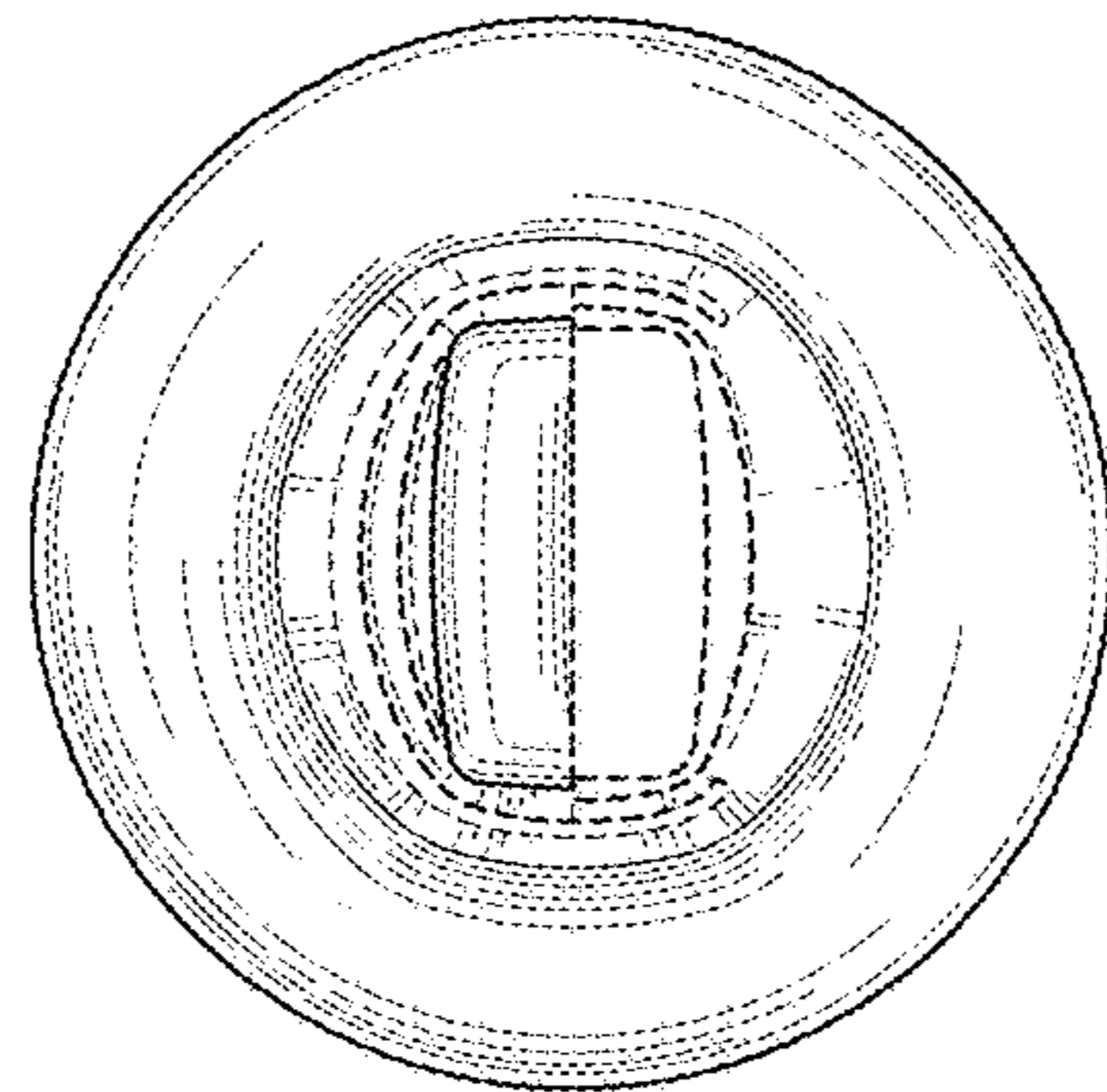


FIG. 6

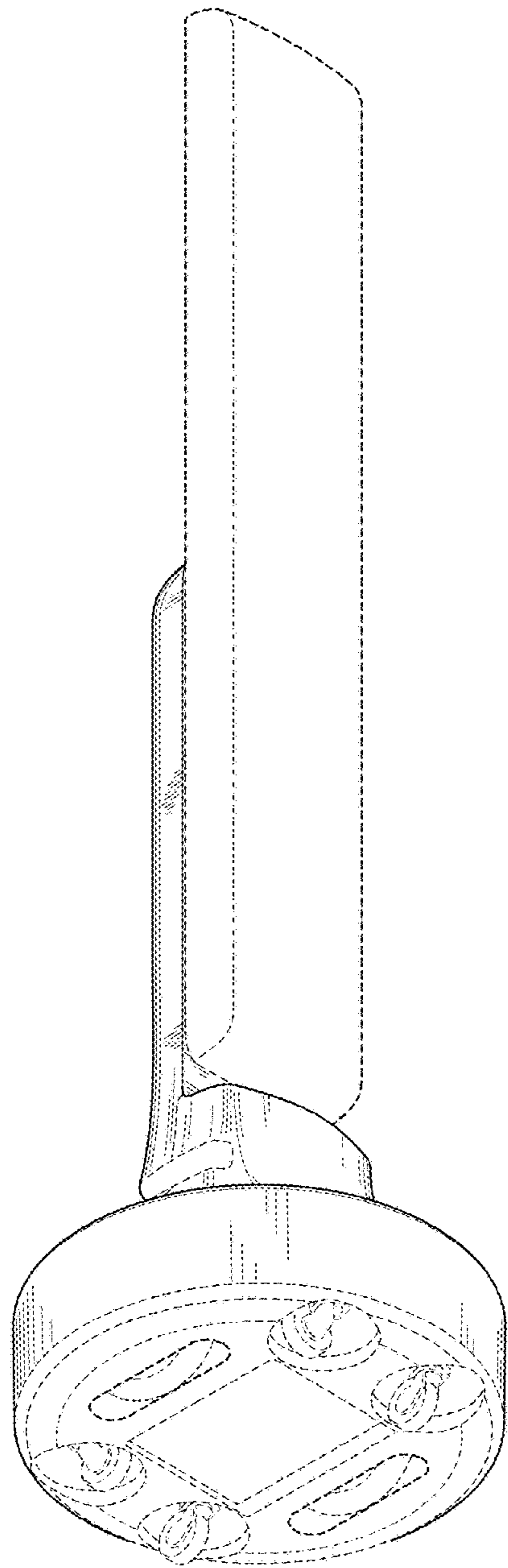


FIG. 7

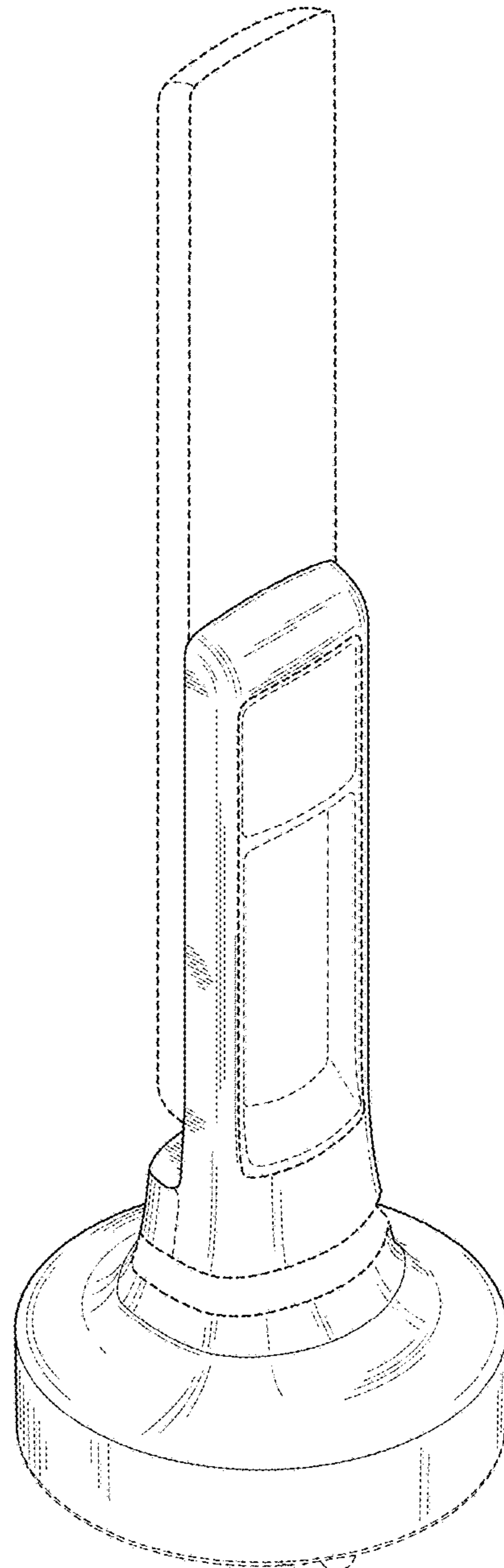


FIG. 8