



US00D843427S

(12) **United States Design Patent**
Medal et al.

(10) **Patent No.:** **US D843,427 S**
(45) **Date of Patent:** **** Mar. 19, 2019**

(54) **POSITIONING ROBOT BASE**

(71) Applicants: **Thomas Alexander Medal**, Toronto (CA); **Sean Adrian Conroy**, Toronto (CA); **Stephen Abellera**, Toronto (CA); **Sagar Saxena**, Toronto (CA); **Florian William Gmeiner**, Toronto (CA); **Brent Andrew Bailey**, Toronto (CA); **Abhijit Saxena**, Toronto (CA); **Trevor James Dell**, Toronto (CA)

(72) Inventors: **Thomas Alexander Medal**, Toronto (CA); **Sean Adrian Conroy**, Toronto (CA); **Stephen Abellera**, Toronto (CA); **Sagar Saxena**, Toronto (CA); **Florian William Gmeiner**, Toronto (CA); **Brent Andrew Bailey**, Toronto (CA); **Abhijit Saxena**, Toronto (CA); **Trevor James Dell**, Toronto (CA)

(**) Term: **15 Years**

(21) Appl. No.: **29/615,241**

(22) Filed: **Aug. 28, 2017**

(51) **LOC (11) Cl.** **15-99**

(52) **U.S. Cl.**
USPC **D15/199**

(58) **Field of Classification Search**
USPC D15/199; D21/578-583, 621, 622
CPC B25J 5/007; B60B 19/006; B62D 57/024;
H01F 7/0221; Y10S 901/01
See application file for complete search history.

(56) **References Cited**

U.S. PATENT DOCUMENTS

D282,077 S * 1/1986 Abe D15/122
D642,352 S * 7/2011 Chen D34/28

D712,447 S * 9/2014 He D15/199
D749,223 S * 2/2016 Vargas D24/185
D778,218 S * 2/2017 Okazaki D12/174
2015/0257838 A1 * 9/2015 Huet A61B 17/16
606/80
2015/0258689 A1 * 9/2015 Suzuki B25J 9/1697
700/259
2016/0052137 A1 * 2/2016 Hyde B25J 11/009
701/24
2016/0081753 A1 * 3/2016 Kostrzewski A61B 34/25
606/130
2016/0136818 A1 * 5/2016 Kitahara B65G 47/90
414/222.07
2016/0332303 A1 * 11/2016 Kirihara B25J 9/1653
2017/0065355 A1 * 3/2017 Ross A61B 34/30

* cited by examiner

Primary Examiner — Patricia A Palasik
(74) *Attorney, Agent, or Firm* — Perry + Currier Inc.

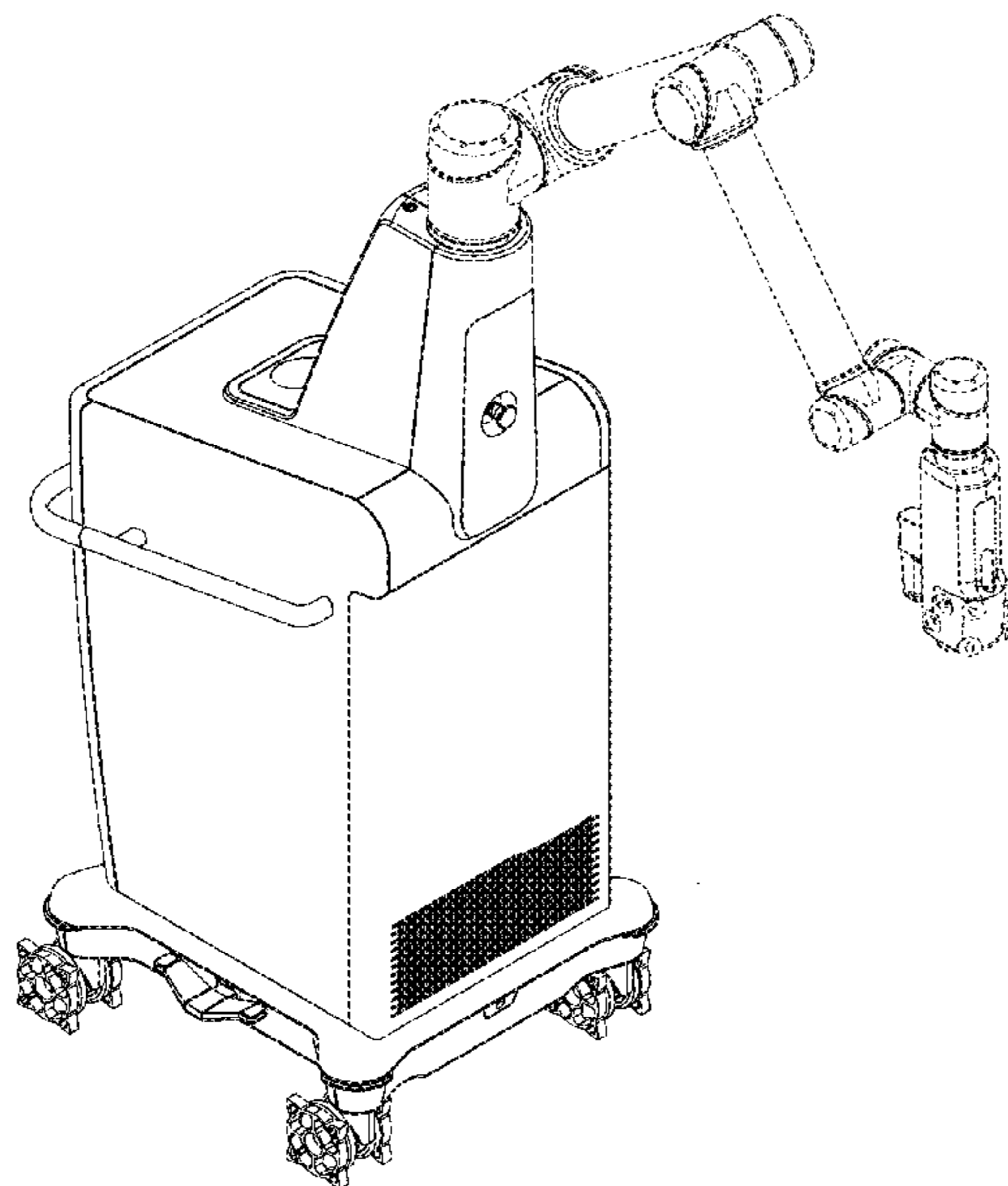
(57) **CLAIM**

We claim the ornamental design for a positioning robot base, as shown and described.

DESCRIPTION

FIG. 1 is a front perspective view of a positioning robot base;
FIG. 2 is a left-side elevation view thereof;
FIG. 3 is a front elevation view thereof;
FIG. 4 is a right-side elevation view thereof;
FIG. 5 is a rear-side elevation view thereof;
FIG. 6 is a top plan view thereof; and,
FIG. 7 is a rear perspective view thereof.
The broken lines in the drawings depict unclaimed environmental subject matter.

1 Claim, 7 Drawing Sheets



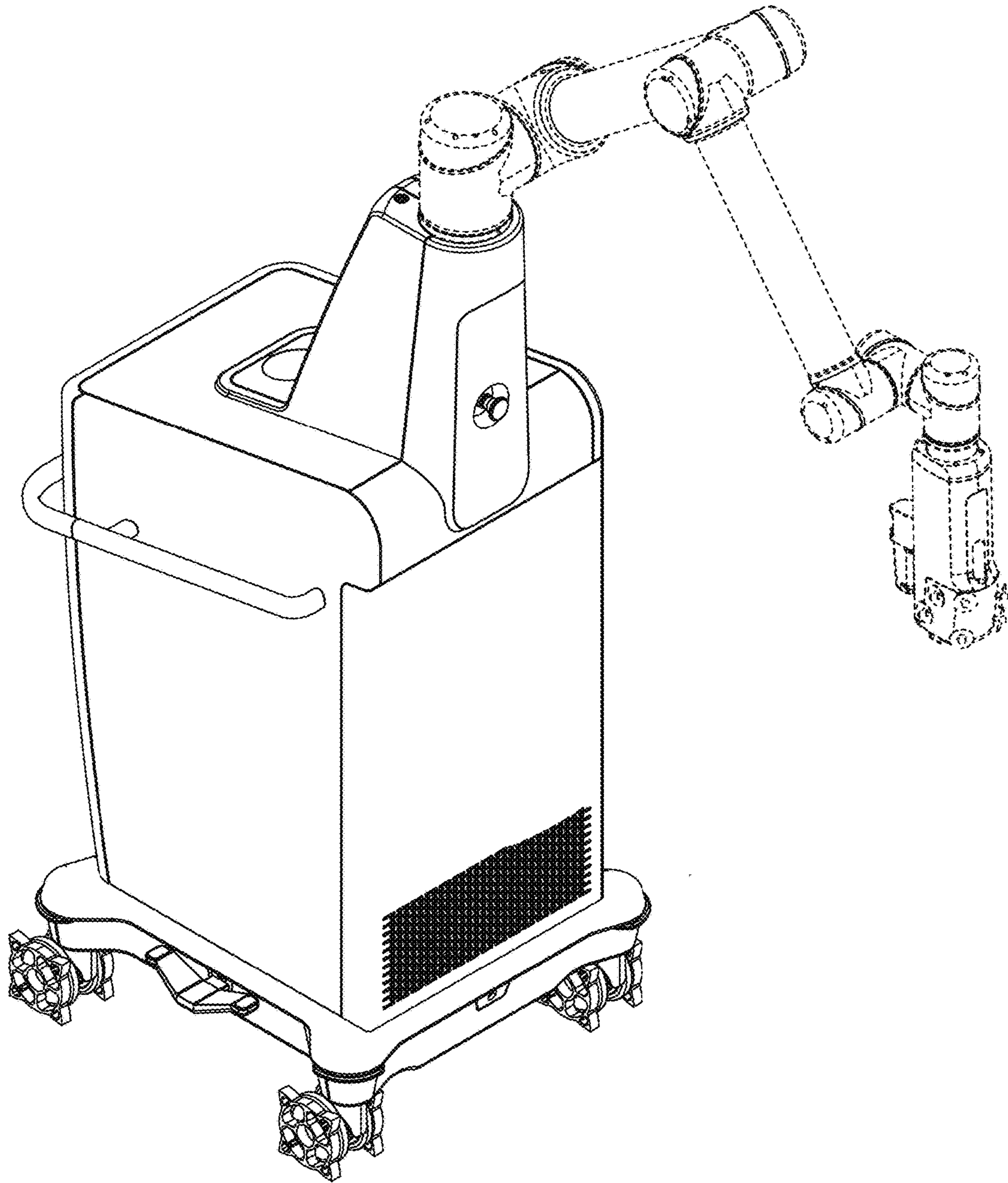


FIG. 1

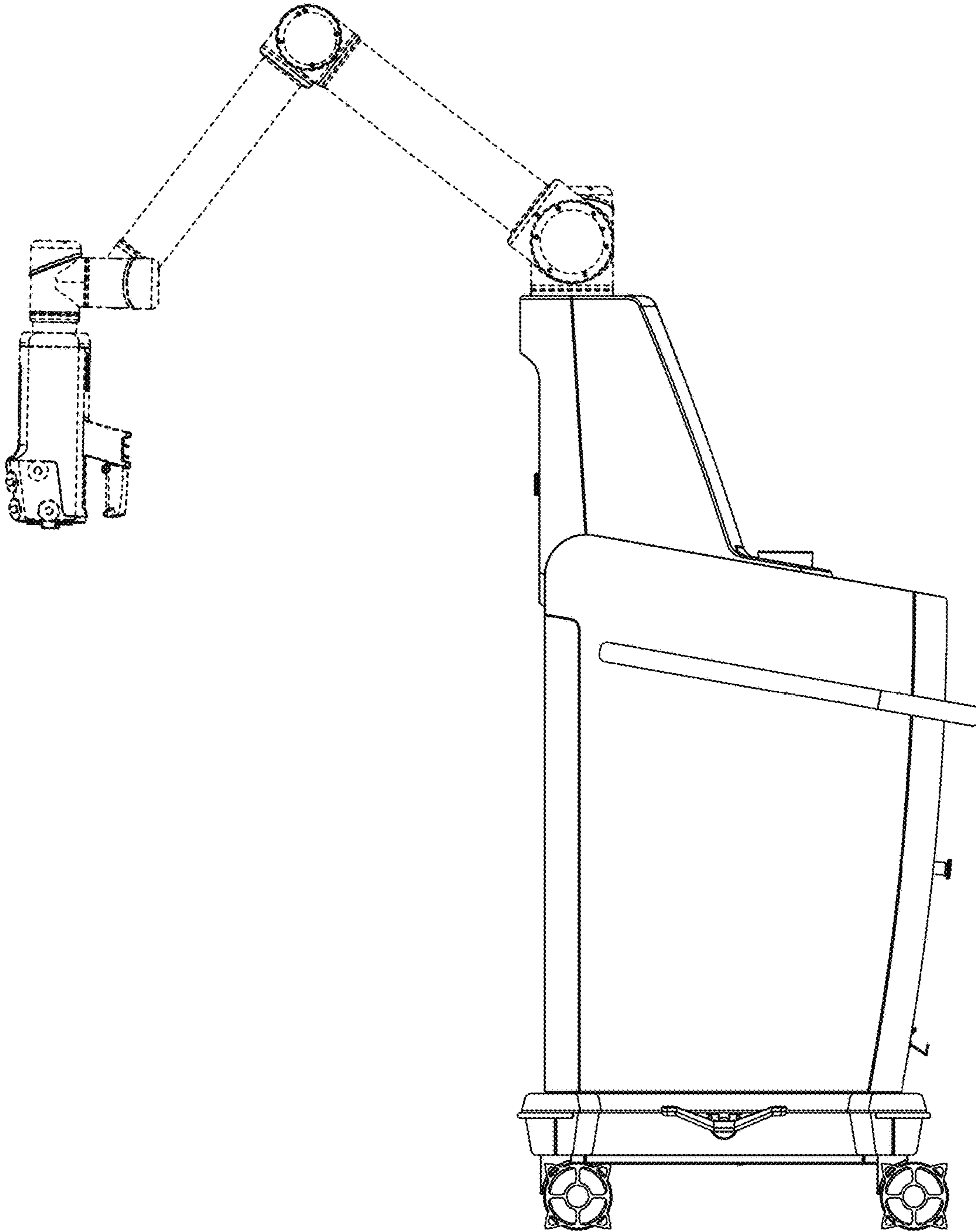


FIG. 2

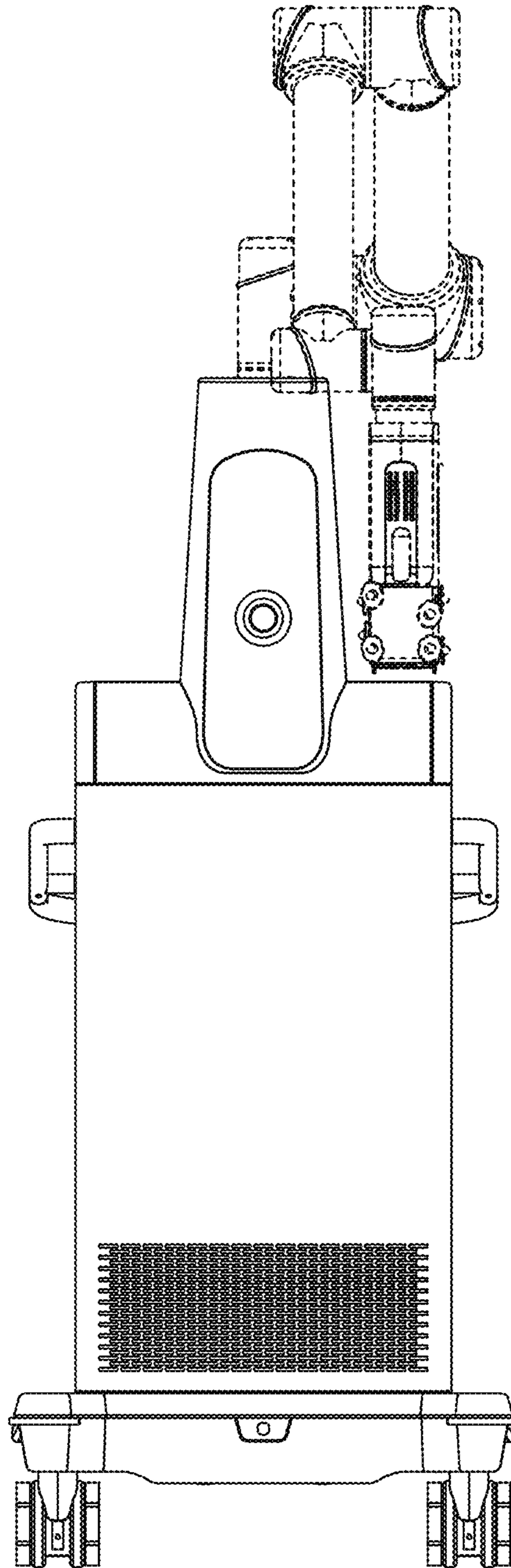


FIG. 3

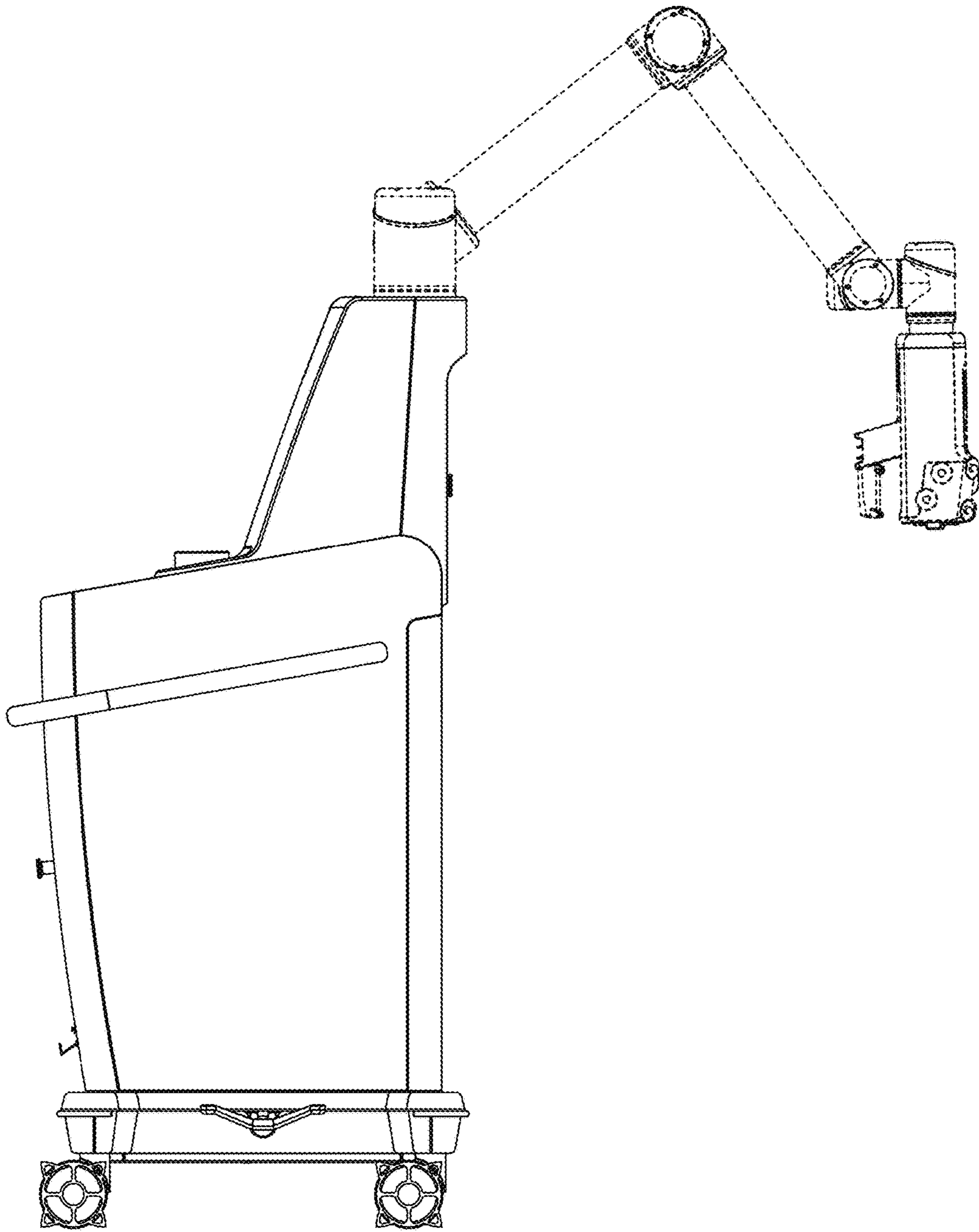


FIG. 4

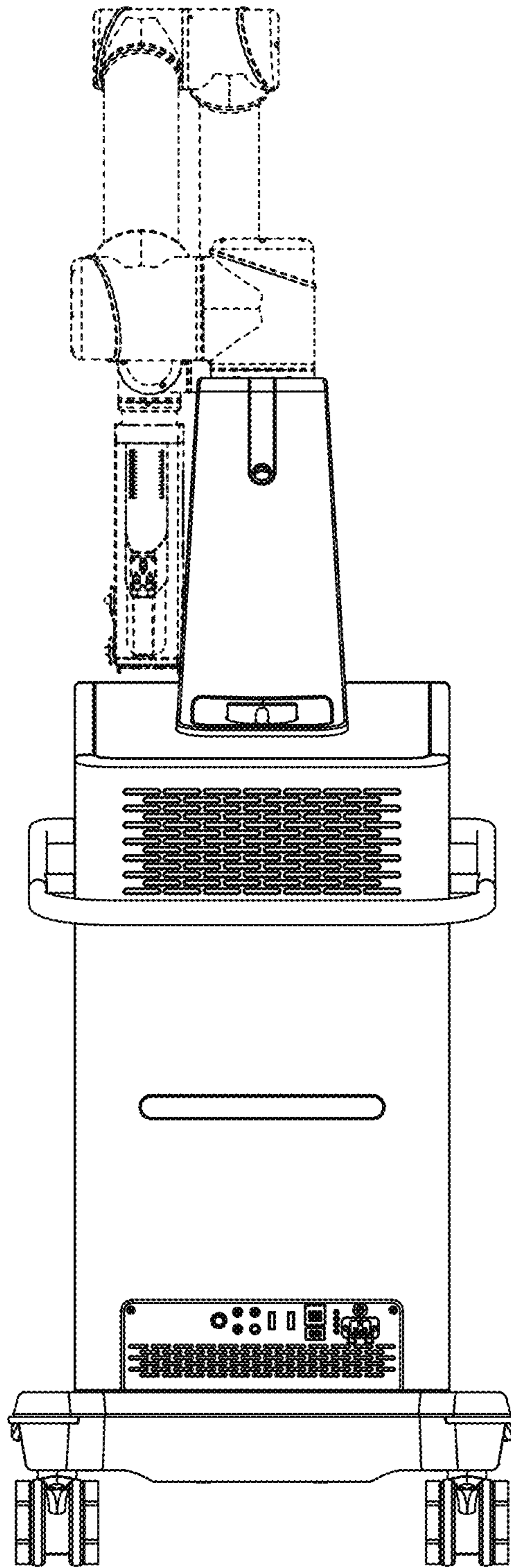


FIG. 5

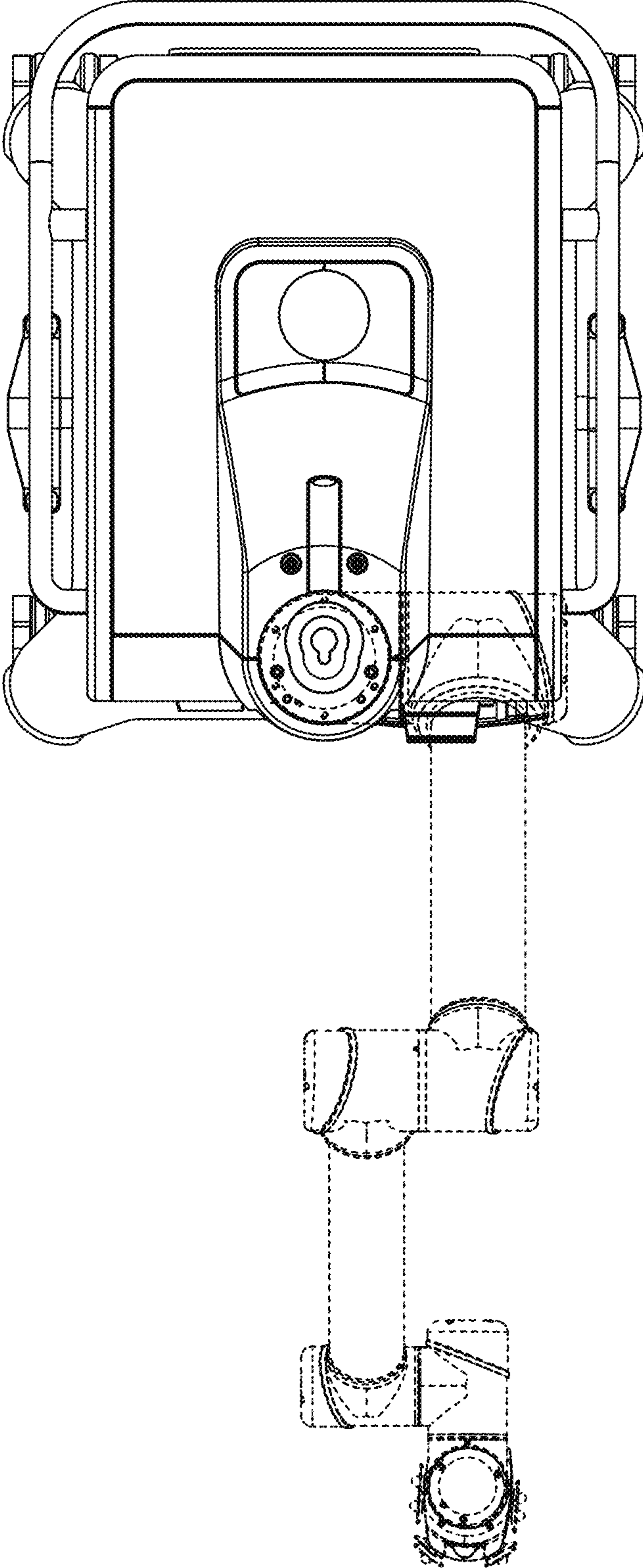


FIG. 6

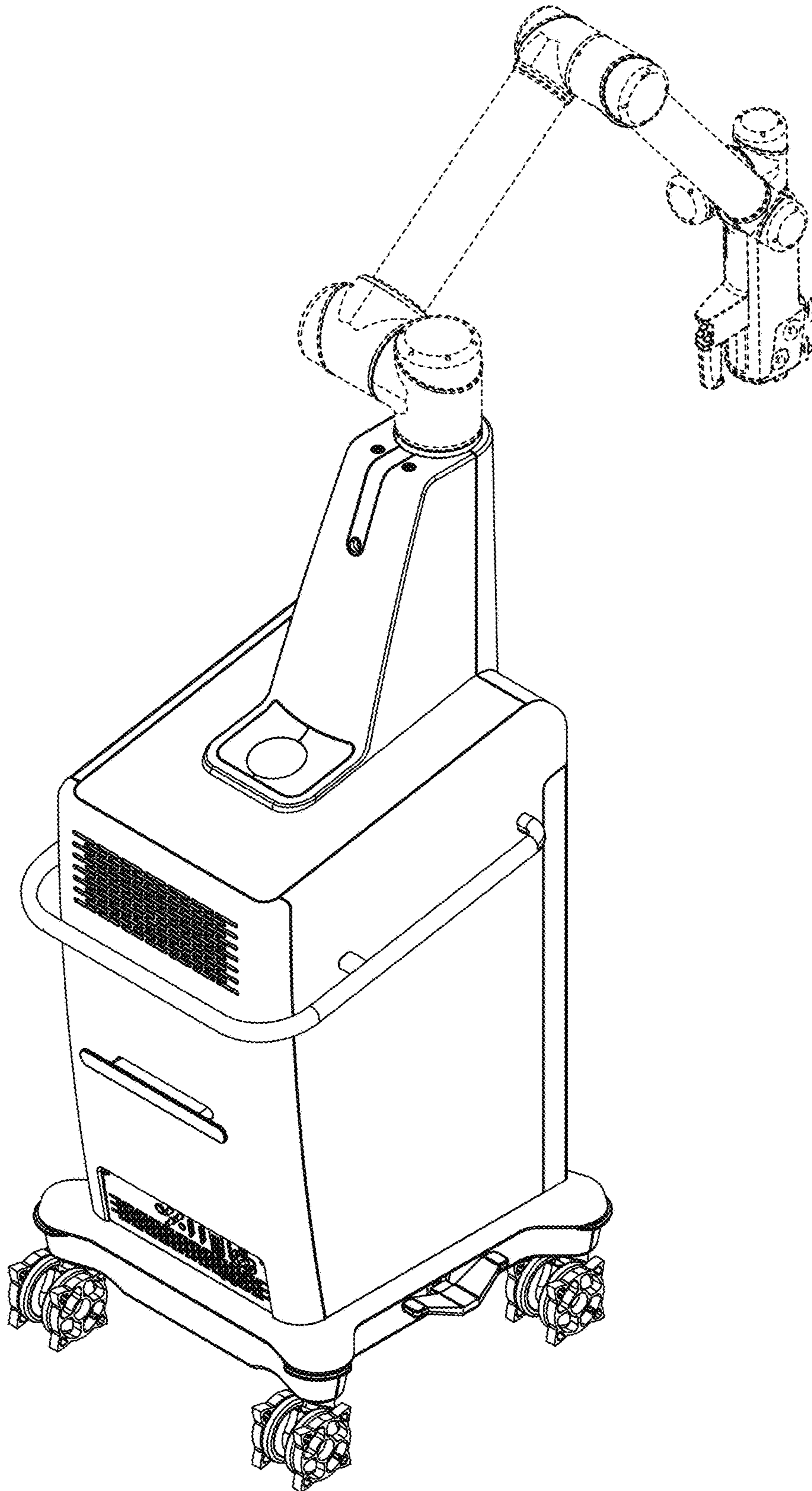


FIG. 7