



US00D843426S

(12) **United States Design Patent**  
**Iguchi**

(10) **Patent No.:** **US D843,426 S**

(45) **Date of Patent:** **\*\* Mar. 19, 2019**

(54) **COUPLER FOR ACTUATOR**

(71) Applicant: **ASAHI YUKIZAI CORPORATION**,  
Nobeoka-shi, Miyazaki (JP)

(72) Inventor: **Hideaki Iguchi**, Nobeoka (JP)

(73) Assignee: **ASAHI YUKIZAI CORPORATION**,  
Nobeoka-Shi, Miyazaki (JP)

(\*\*) Term: **15 Years**

(21) Appl. No.: **29/638,434**

(22) Filed: **Feb. 27, 2018**

(30) **Foreign Application Priority Data**

Aug. 31, 2017 (JP) ..... 2017-018868

(51) **LOC (11) Cl.** ..... **15-09**

(52) **U.S. Cl.**  
USPC ..... **D15/148**

(58) **Field of Classification Search**

USPC ..... D12/345; D13/118, 158, 162, 184;  
D15/1-5, 7, 9, 143, 148, 149, 199  
CPC ..... B66F 3/18; F16H 19/04; F16H 19/039;  
H01F 7/066

See application file for complete search history.

(56) **References Cited**

**U.S. PATENT DOCUMENTS**

4,320,421	A *	3/1982	Larson	.....	G11B 23/042	360/132
4,633,897	A	1/1987	Effenberger			
5,283,704	A *	2/1994	Reidenbach	.....	G11B 21/16	360/244.5
D400,220	S *	10/1998	Nemoto	.....	D15/148	
6,748,967	B1 *	6/2004	Smiltneek	.....	F16K 1/221	137/315.17
6,848,672	B2 *	2/2005	Cross	.....	F16K 31/055	251/292
D568,964	S *	5/2008	Shinmura	.....	D23/233	

D610,655	S *	2/2010	Schmidt	.....	D23/249	
8,632,054	B2	1/2014	Carlson et al.			
D749,226	S *	2/2016	Cooper	.....	D24/188	
D775,677	S *	1/2017	Jorgensen	.....	D15/143	
D795,935	S *	8/2017	Jorgensen	.....	D15/148	
D810,798	S *	2/2018	Tabuchi	.....	D15/148	
D819,101	S *	5/2018	Ishikawa	.....	D15/148	
D819,710	S *	6/2018	Ishikawa	.....	D15/148	
D821,472	S *	6/2018	Ishikawa	.....	D15/149	
2002/0109427	A1 *	8/2002	Hochhalter	.....	F16H 25/20	310/89
2005/0122855	A1 *	6/2005	Choi	.....	G11B 7/0933	369/44.15

(Continued)

*Primary Examiner* — Patricia A Palasik

(74) *Attorney, Agent, or Firm* — Buchanan Ingersoll & Rooney PC

(57) **CLAIM**

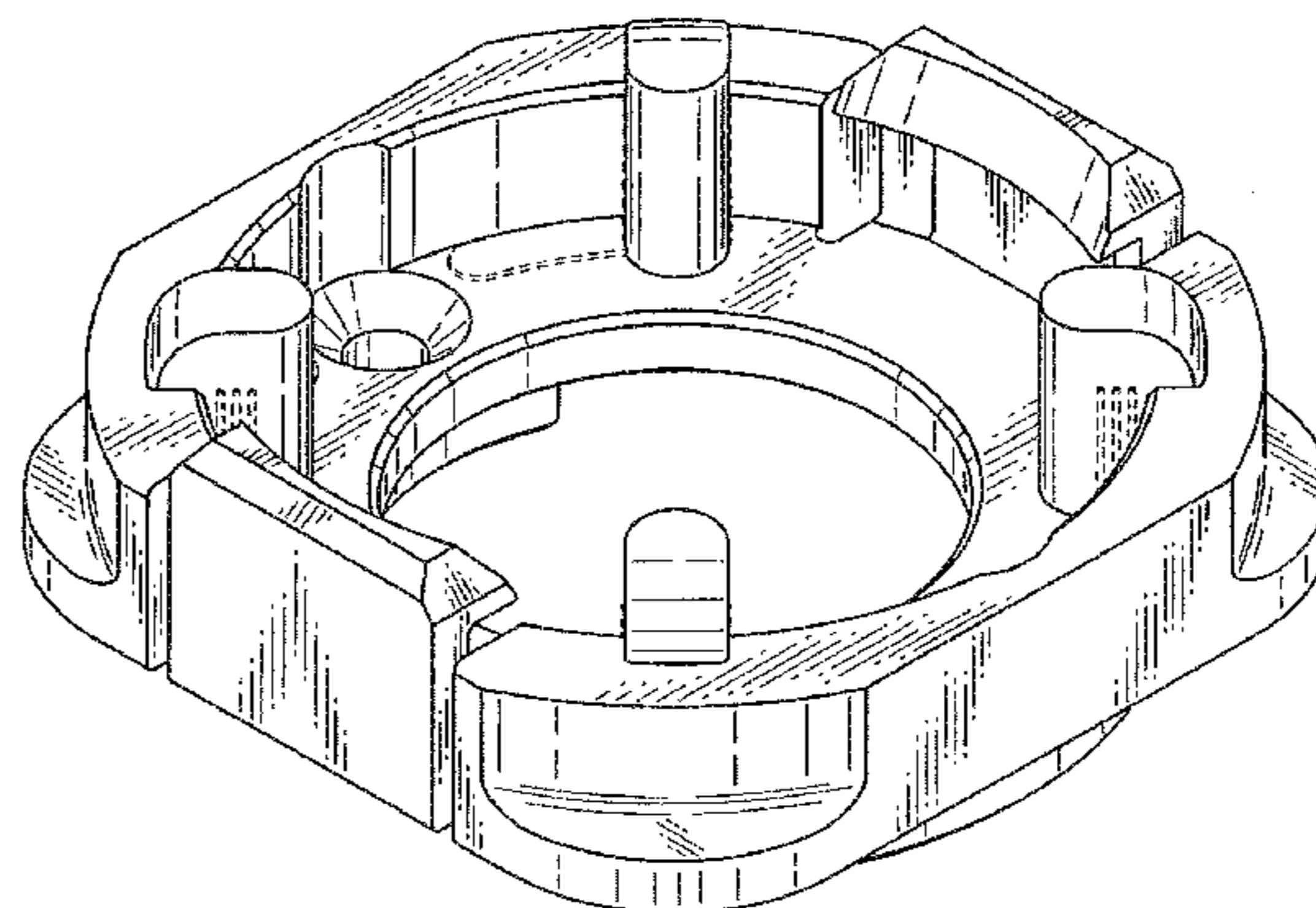
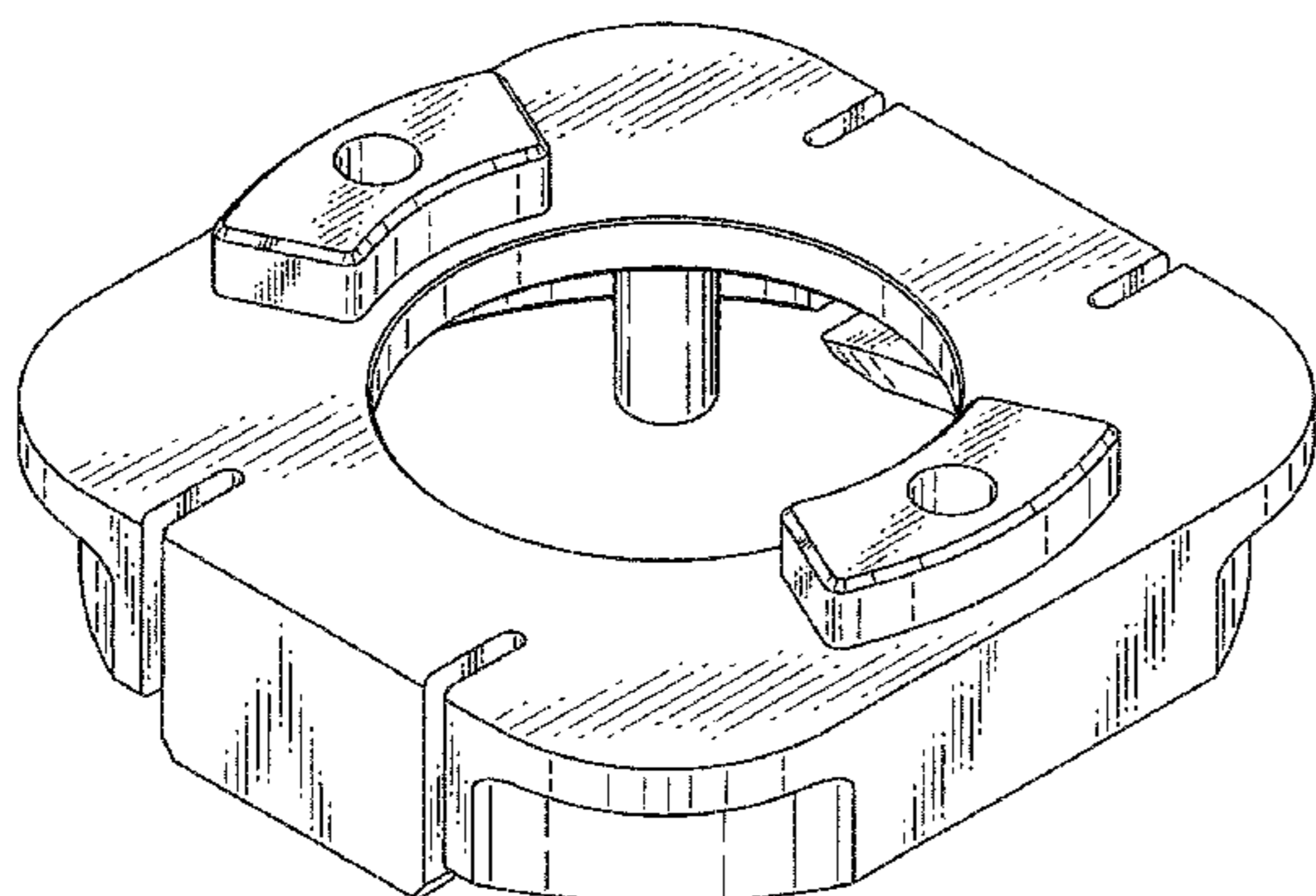
The ornamental design for a coupler for actuator, as shown and described.

**DESCRIPTION**

FIG. 1 is a top perspective view of a coupler for actuator showing my new design;  
 FIG. 2 is a bottom perspective view thereof;  
 FIG. 3 is a front view thereof; the rear view is the same as the front view;  
 FIG. 4 is a right side view thereof; the left side view is the same as the right side view;  
 FIG. 5 is a top plan view thereof;  
 FIG. 6 is a bottom plan view thereof;  
 FIG. 7 is a cross-sectional view taken along lines 7-7 in FIG. 5; and,  
 FIG. 8 is a cross-sectional view taken along lines 8-8 in FIG. 5.

The broken lines in the drawings depict unclaimed environmental subject matter of the coupler for actuator.

**1 Claim, 4 Drawing Sheets**



(56)

**References Cited**

U.S. PATENT DOCUMENTS

2006/0143639 A1\* 6/2006 Ke ..... G11B 7/0932  
720/683  
2015/0226367 A1\* 8/2015 Day ..... F16K 31/086  
62/50.7  
2018/0172032 A1\* 6/2018 Modinger ..... F16K 31/1635

\* cited by examiner

FIG. 1

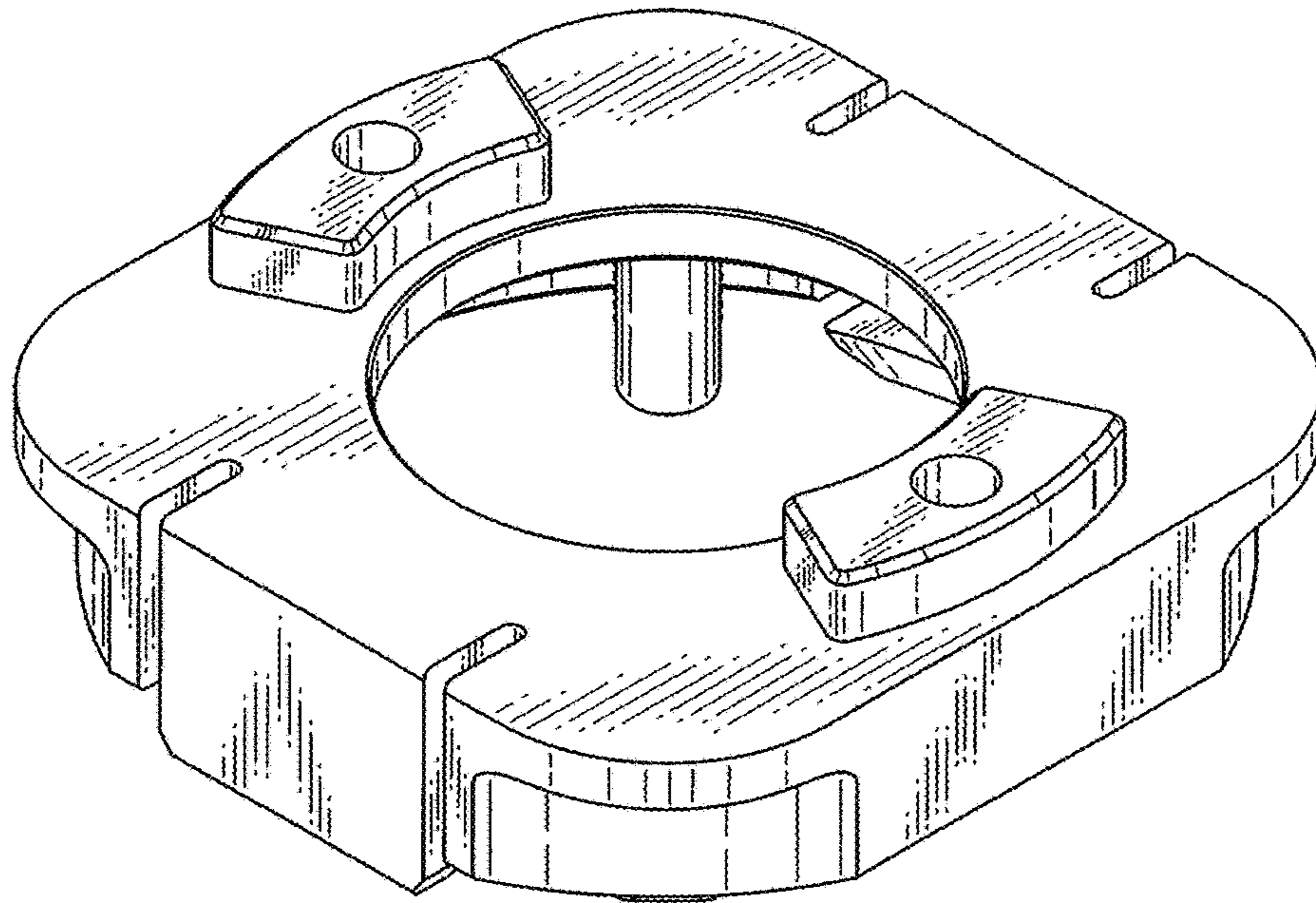


FIG. 2

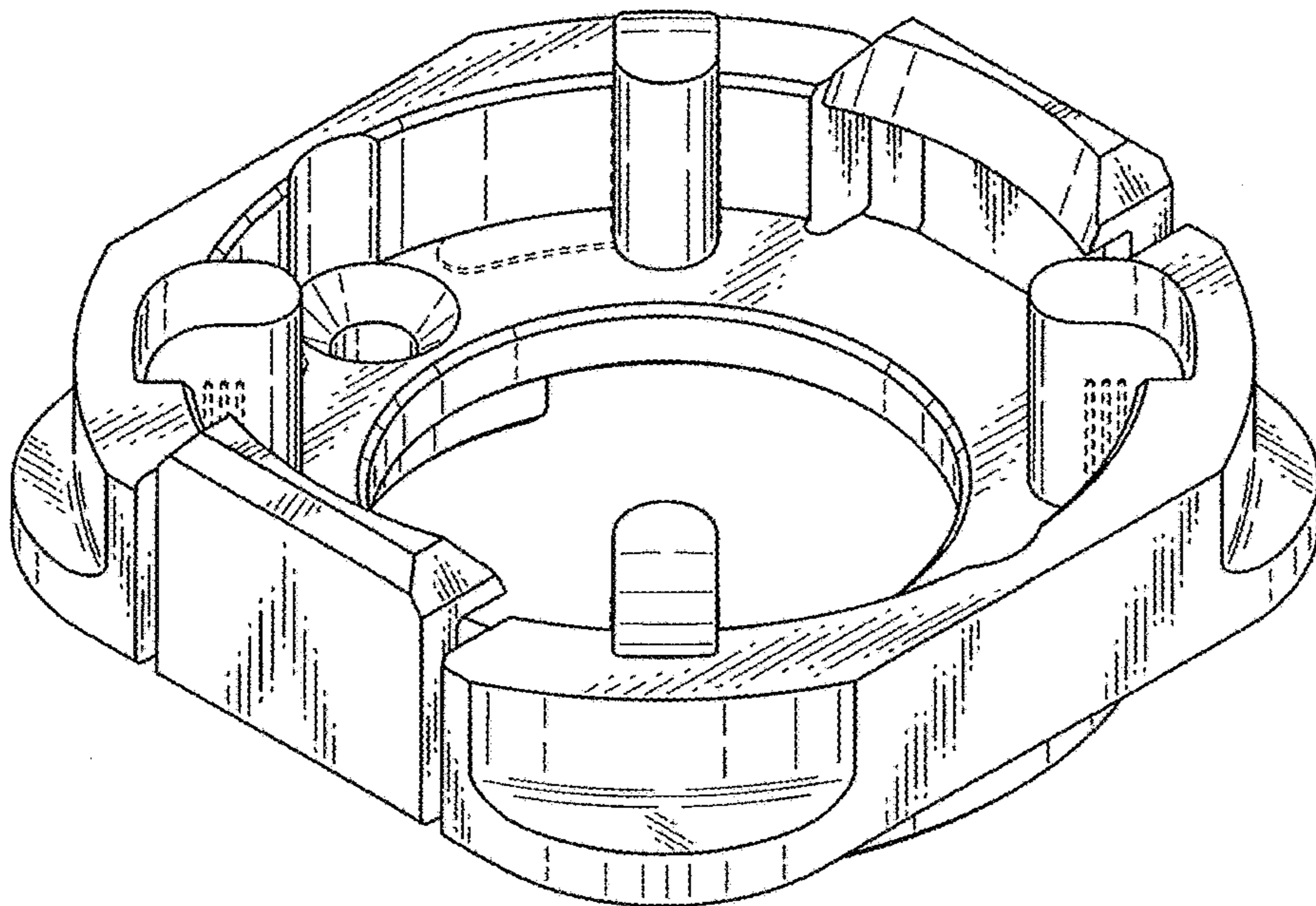


FIG. 3

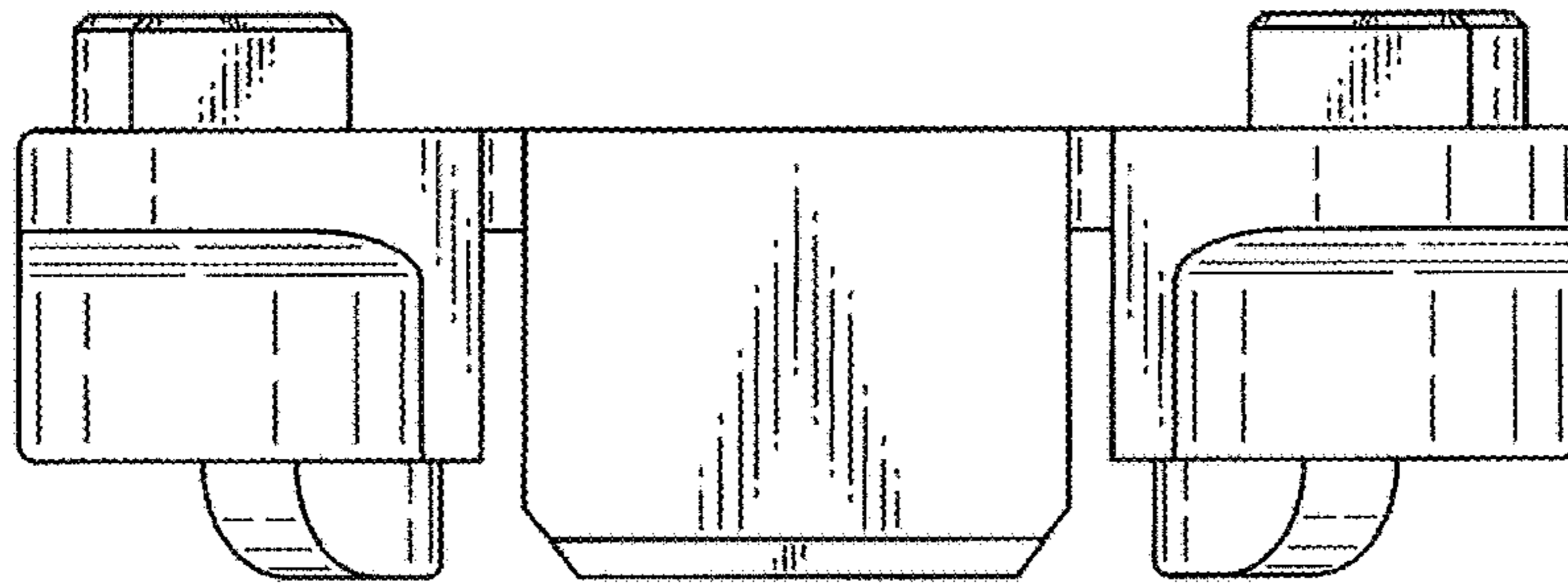


FIG. 4

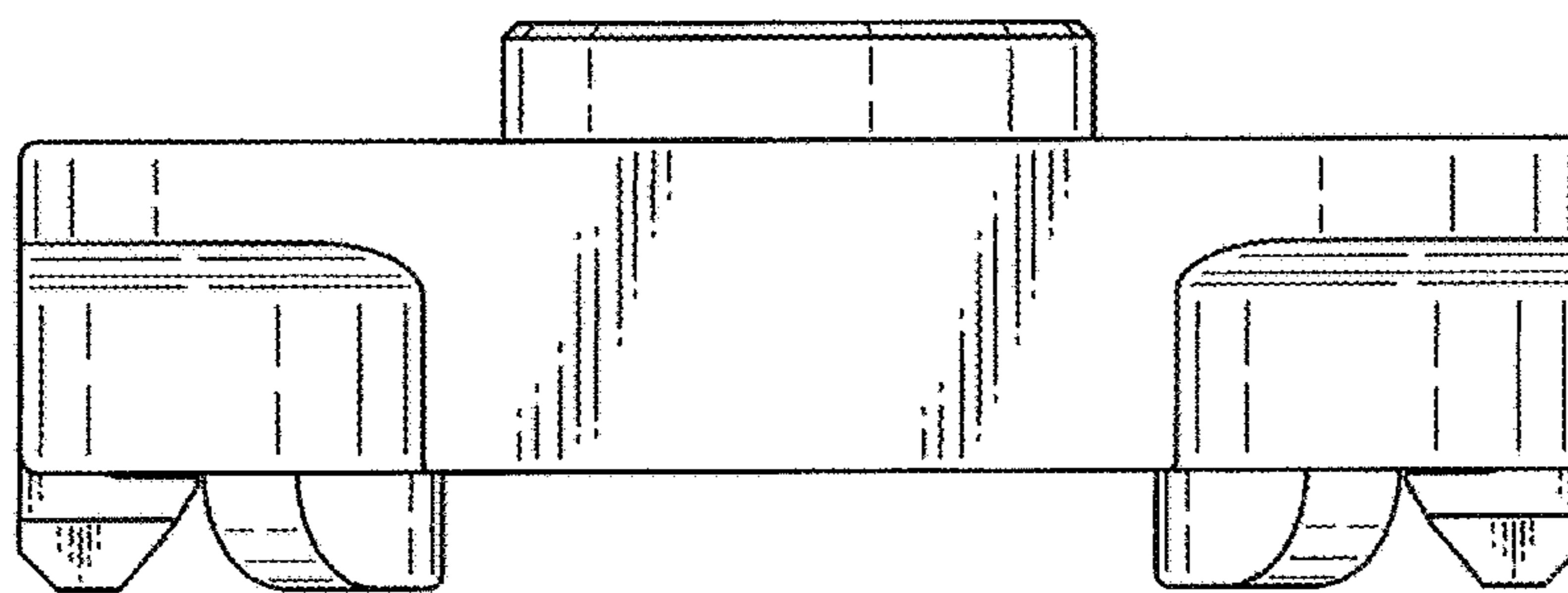


FIG. 5

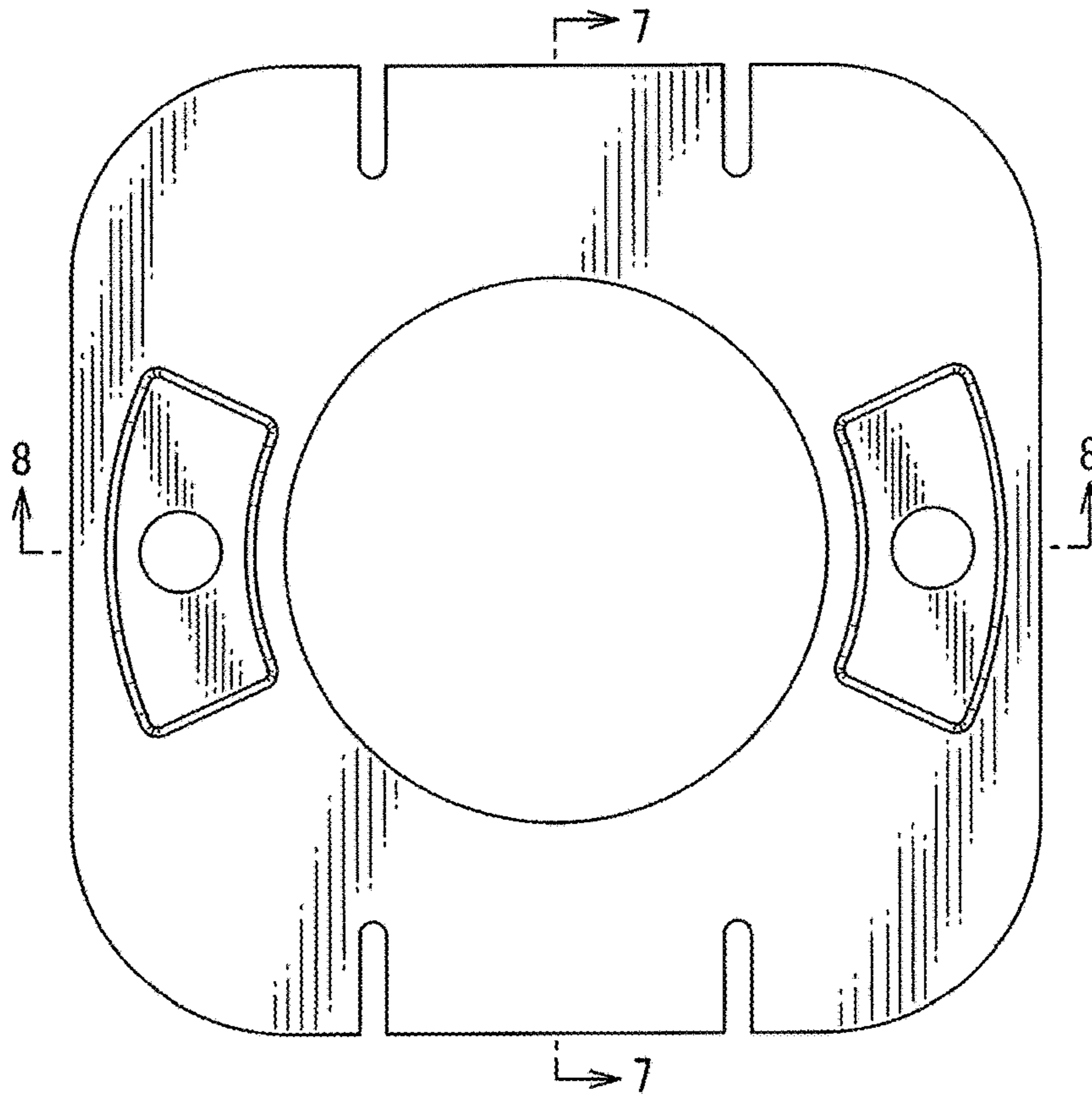


FIG. 6

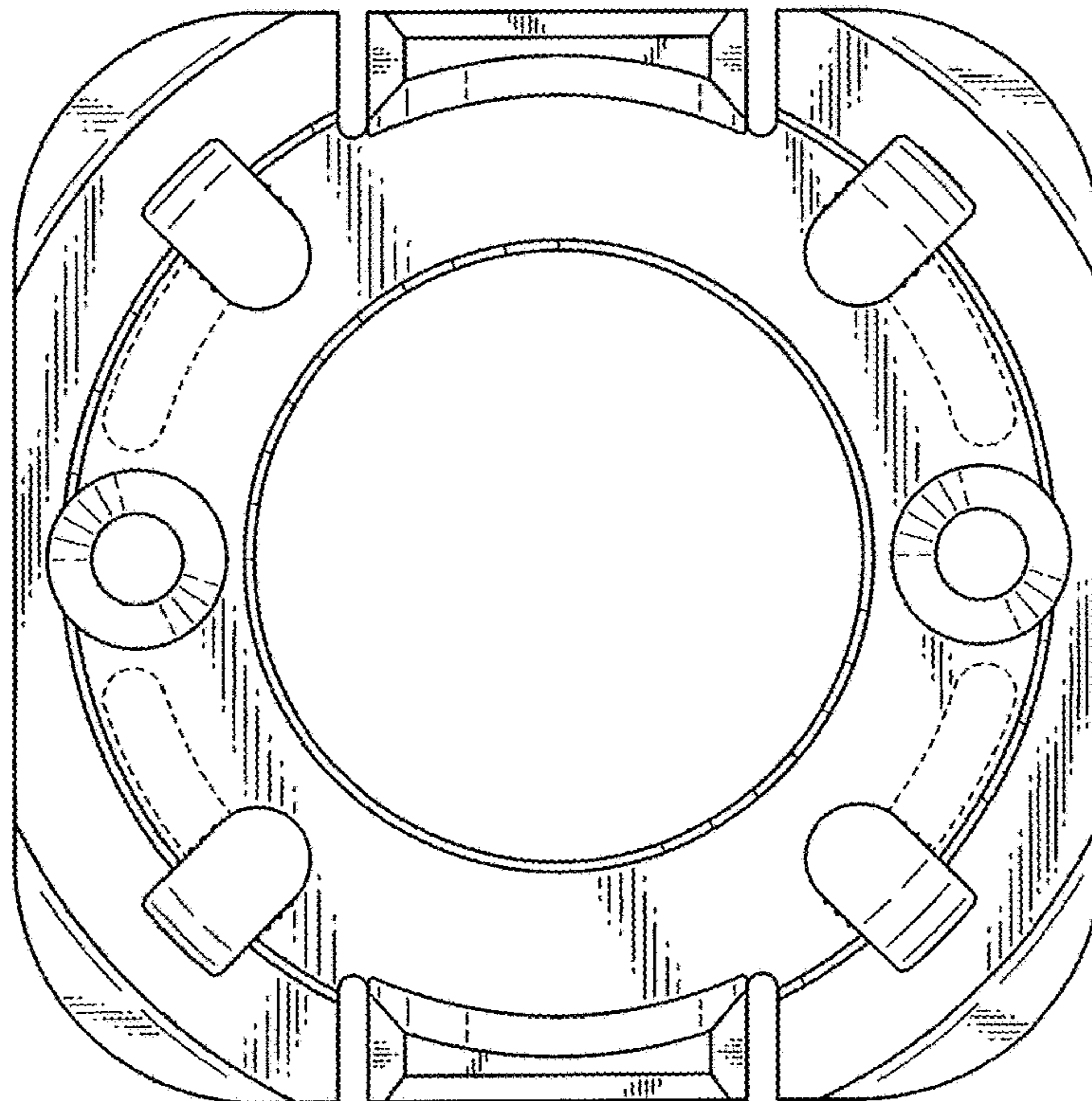


FIG. 7

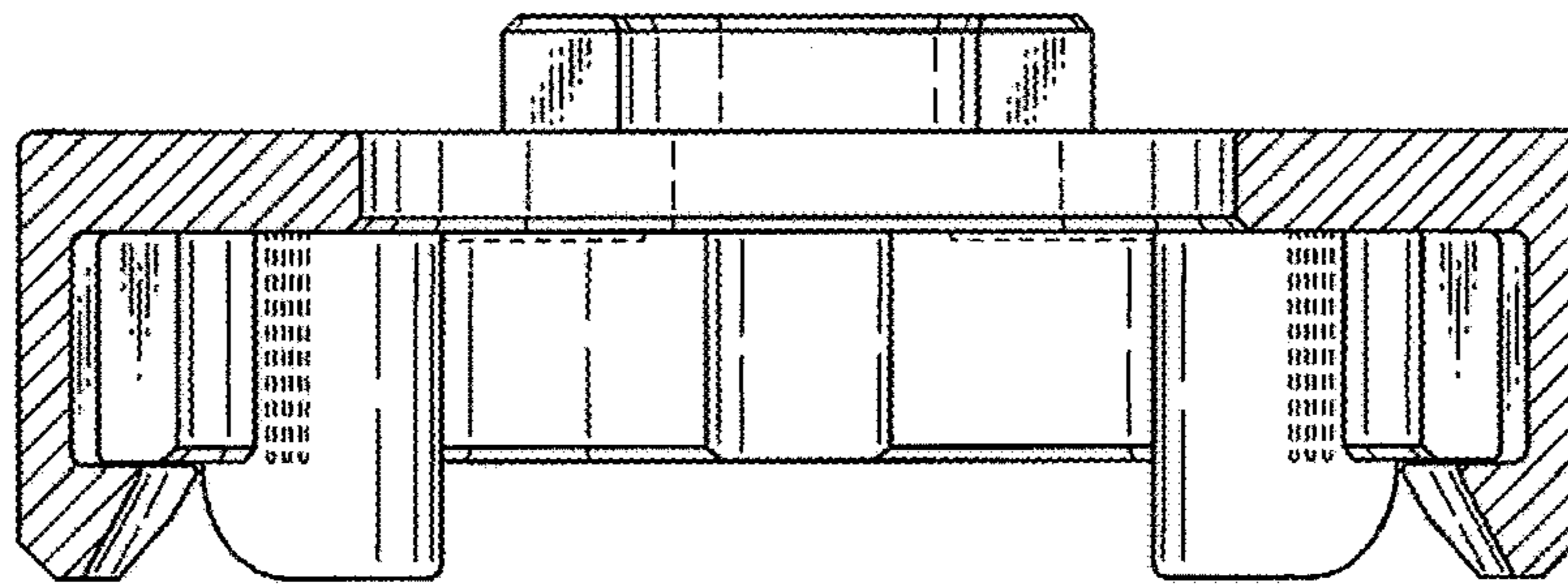


FIG. 8

