



US00D843425S

(12) **United States Design Patent**
Higbie

(10) **Patent No.:** **US D843,425 S**

(45) **Date of Patent:** **** Mar. 19, 2019**

(54) **ROTARY ACTUATOR**

(71) Applicant: **Higbie, LLC**, Ann Arbor, MI (US)

(72) Inventor: **John Morgan Higbie**, Ann Arbor, MI (US)

(73) Assignee: **Higbie, LLC**, Ann Arbor, MI (US)

(**) Term: **15 Years**

(21) Appl. No.: **29/624,849**

(22) Filed: **Nov. 3, 2017**

(30) **Foreign Application Priority Data**

May 5, 2017 (CN) 2017 3 0161326

(51) **LOC (11) Cl.** **15-09**

(52) **U.S. Cl.**
USPC **D15/148**

(58) **Field of Classification Search**
USPC D12/345; D13/118, 158, 162, 184;
D15/1-5, 7, 9, 143, 148, 149, 199
CPC .. B66F 3/18; E21B 34/04; F15B 15/12; F16H
19/04; F16H 19/039; F16K 31/12; H01F
7/066

See application file for complete search history.

(56) **References Cited**

U.S. PATENT DOCUMENTS

3,671,900 A * 6/1972 Loughran, Jr. G08B 5/24
335/272
4,398,167 A * 8/1983 Dickie H02K 33/18
310/266
4,510,850 A * 4/1985 Mack F15B 15/12
277/644
4,520,331 A * 5/1985 Steidel H01F 7/145
310/156.32
5,101,862 A * 4/1992 Leete F15B 15/12
137/486

6,003,431 A * 12/1999 Bertini F15B 15/24
91/405
D610,655 S * 2/2010 Schmidt D23/249
D673,196 S * 12/2012 von Hafen D15/148
D673,197 S * 12/2012 von Hafen D15/148
D789,432 S * 6/2017 Tokuda D15/148
D790,616 S * 6/2017 Tokuda D15/148
D790,617 S * 6/2017 Tokuda D15/148
D819,101 S * 5/2018 Ishikawa D15/148
D821,472 S * 6/2018 Ishikawa D15/149
2002/0030572 A1 * 3/2002 Mohler H01F 7/145
335/272
2002/0046622 A1 * 4/2002 Yoshida F03G 7/065
74/574.4
2004/0102274 A1 * 5/2004 Tesar B64C 13/34
475/168

(Continued)

Primary Examiner — Patricia A Palasik

(74) *Attorney, Agent, or Firm* — Patrick J.S. Inouye;
Leonid Kisselev

(57) **CLAIM**

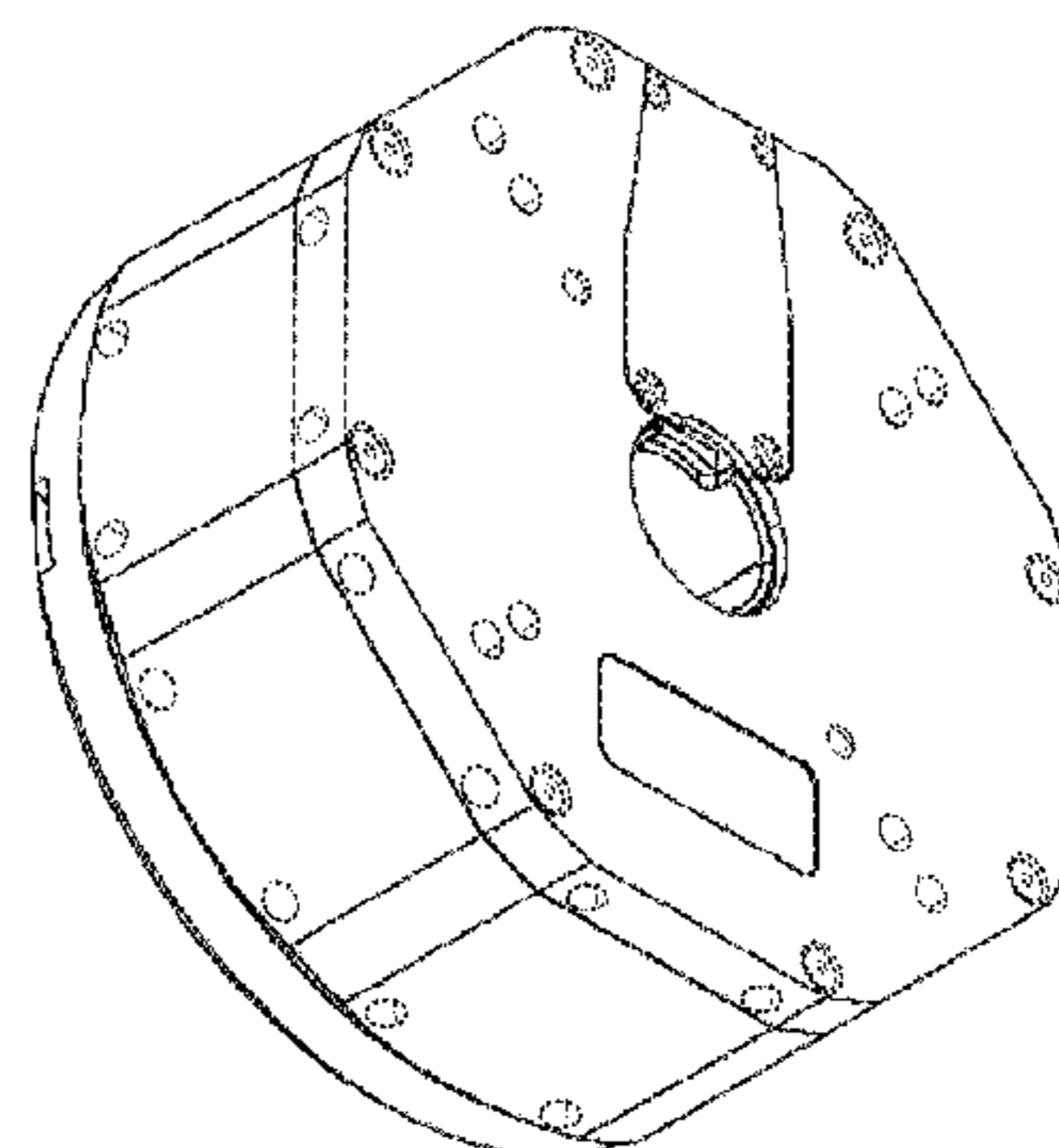
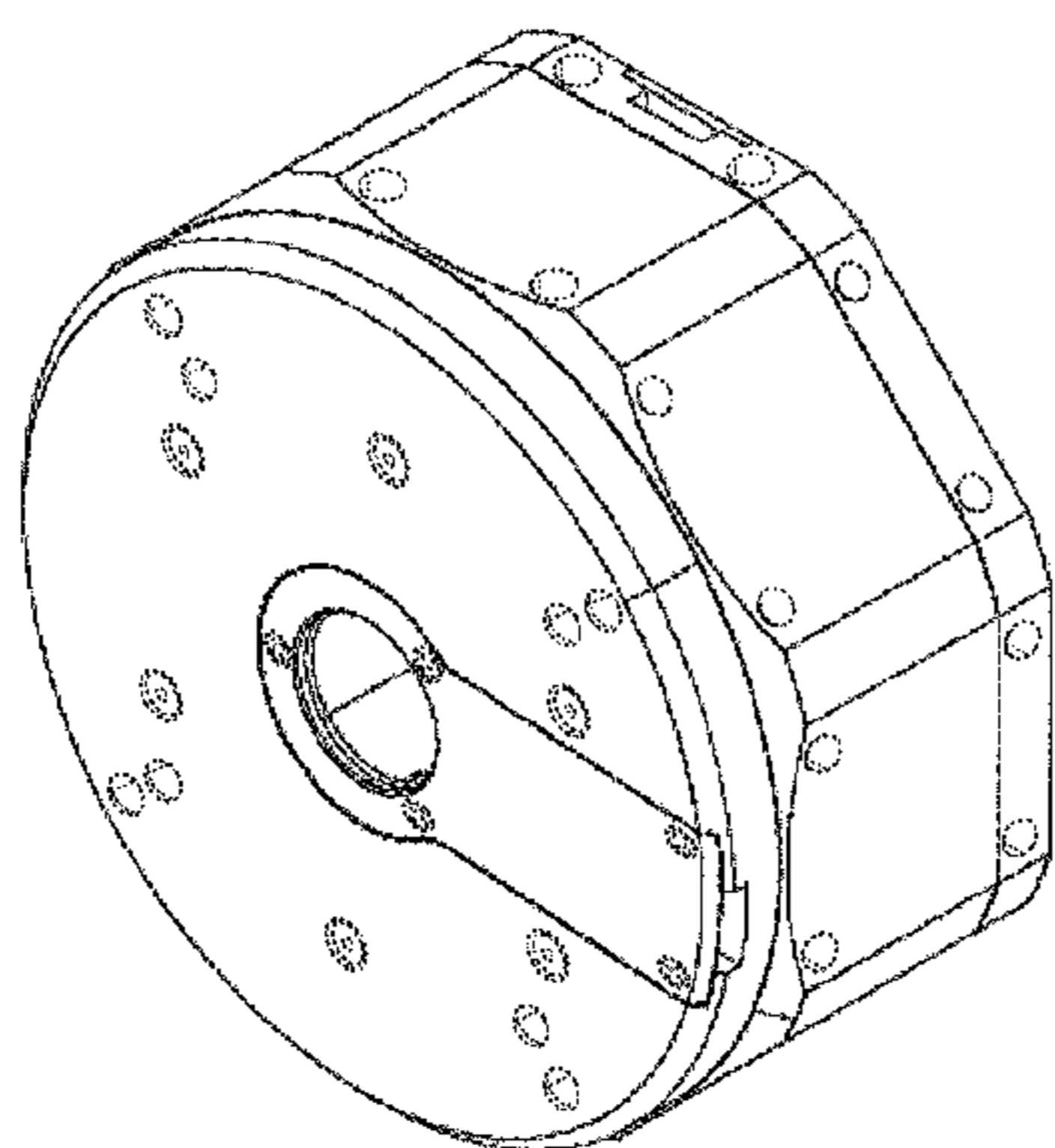
The ornamental design for a rotary actuator, as substantially shown and described.

DESCRIPTION

FIG. 1 is a front perspective view showing a rotary actuator. FIG. 2 is a back perspective view showing the rotary actuator.

FIG. 3 is a front view of the rotary actuator. FIG. 4 is a back view of the rotary actuator. FIG. 5 is a left view of the rotary actuator. FIG. 6 is a right view of the rotary actuator. FIG. 7 is a top view of the rotary actuator; and, FIG. 8 is a bottom view of the rotary actuator. In all figures, the broken lines are included for the purpose of illustrating portions of the rotary actuator that form no part of the claimed design.

1 Claim, 8 Drawing Sheets



(56)

References Cited

U.S. PATENT DOCUMENTS

2005/0122855 A1* 6/2005 Choi G11B 7/0933
369/44.15
2007/0249457 A1* 10/2007 Tesar B64C 13/34
475/180
2010/0064885 A1* 3/2010 Werkhoven F15B 1/12
92/121
2010/0234967 A1* 9/2010 Whiteley H02K 7/116
623/24
2014/0182405 A1* 7/2014 Wu F16H 25/20
74/89.32
2014/0224064 A1* 8/2014 Tesar H02K 7/116
74/606 R
2015/0117938 A1* 4/2015 Flatley F16D 1/108
403/292
2016/0290371 A1* 10/2016 Ryu F15B 15/12
2017/0114808 A1* 4/2017 Cowie E21B 34/02
2017/0222517 A1* 8/2017 Kobayashi H02K 7/116
2018/0058525 A1* 3/2018 Kasper B60T 13/741

* cited by examiner

Fig. 1

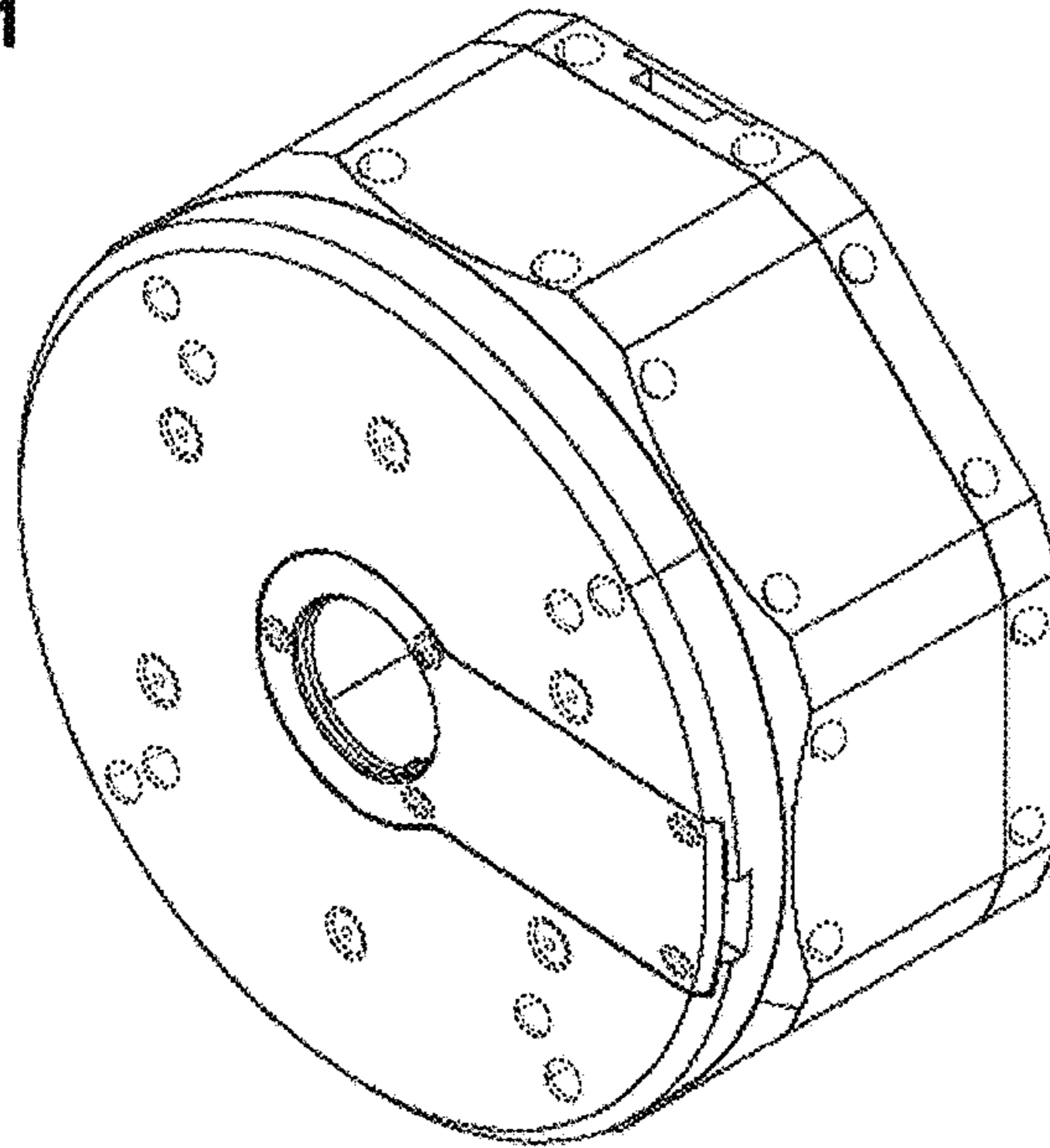


Fig. 2

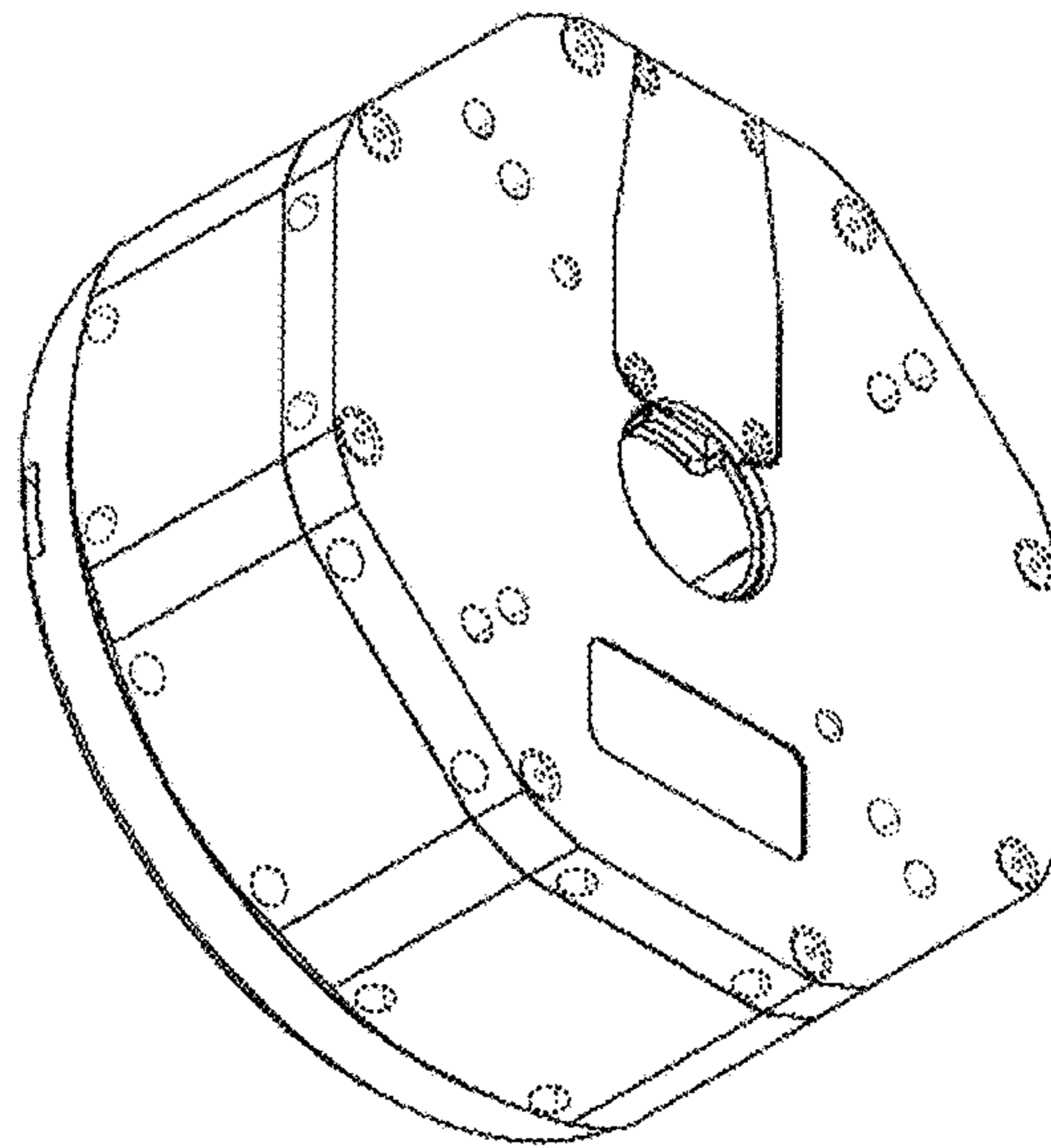


Fig. 3

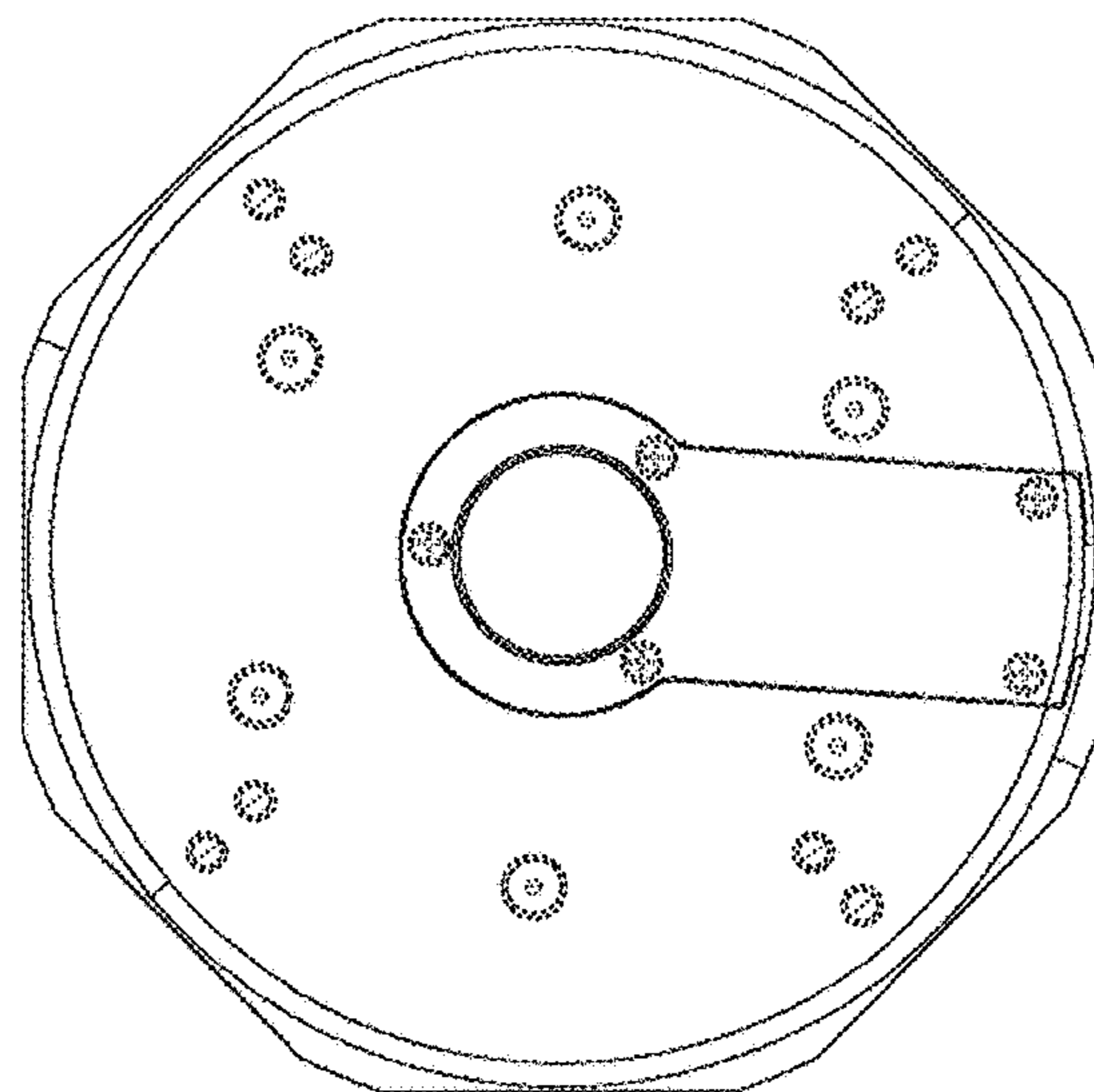


Fig. 4

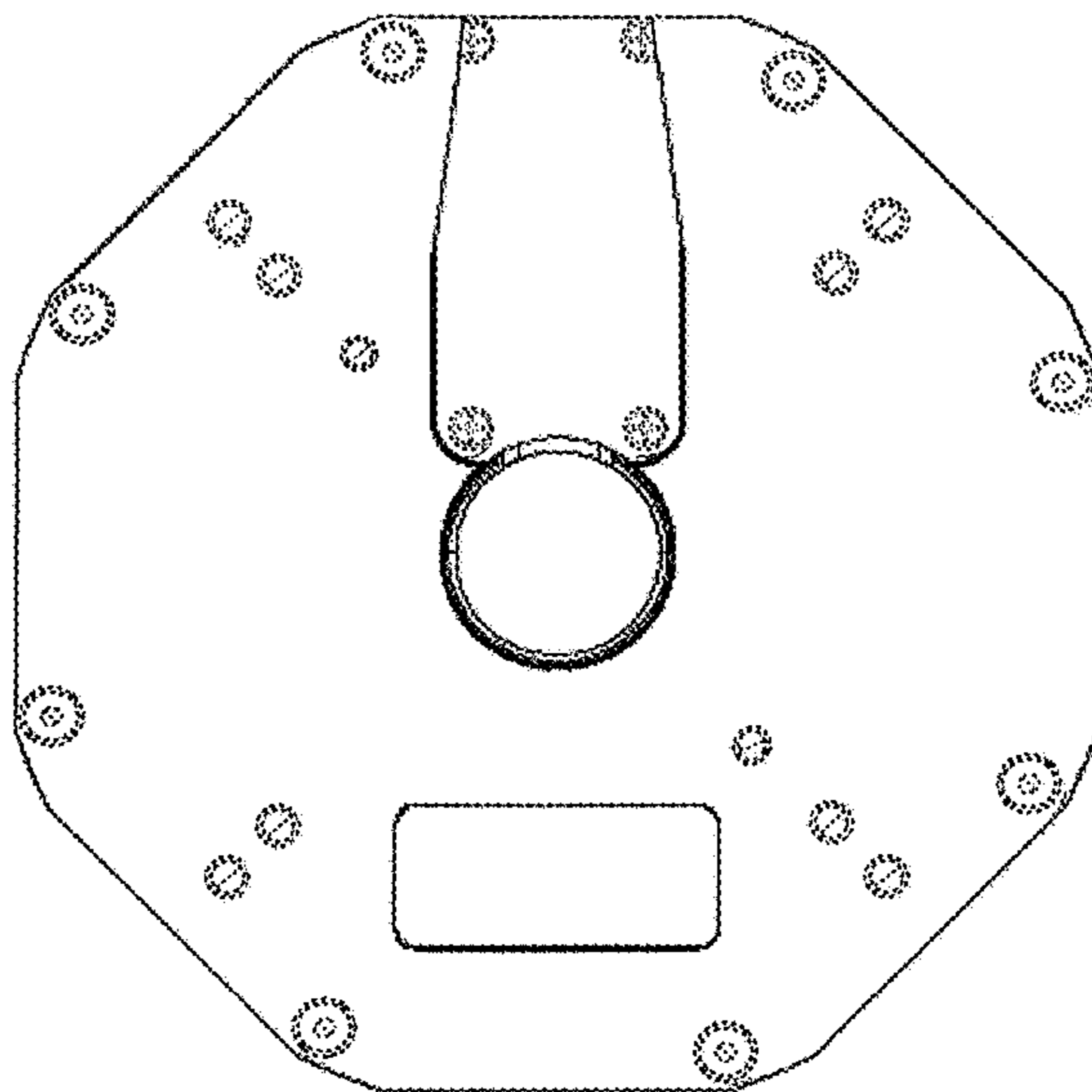


Fig. 5

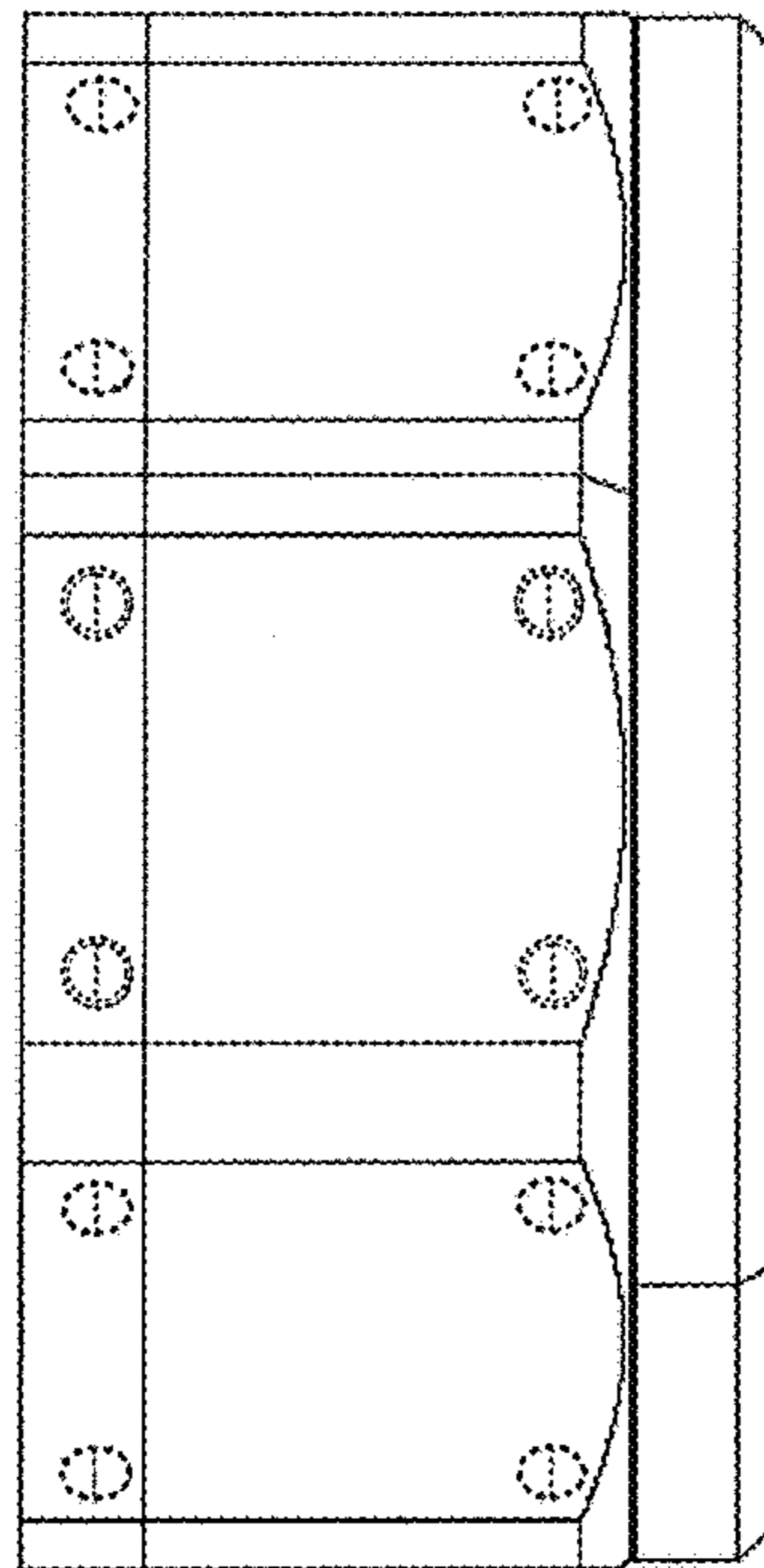


Fig. 6

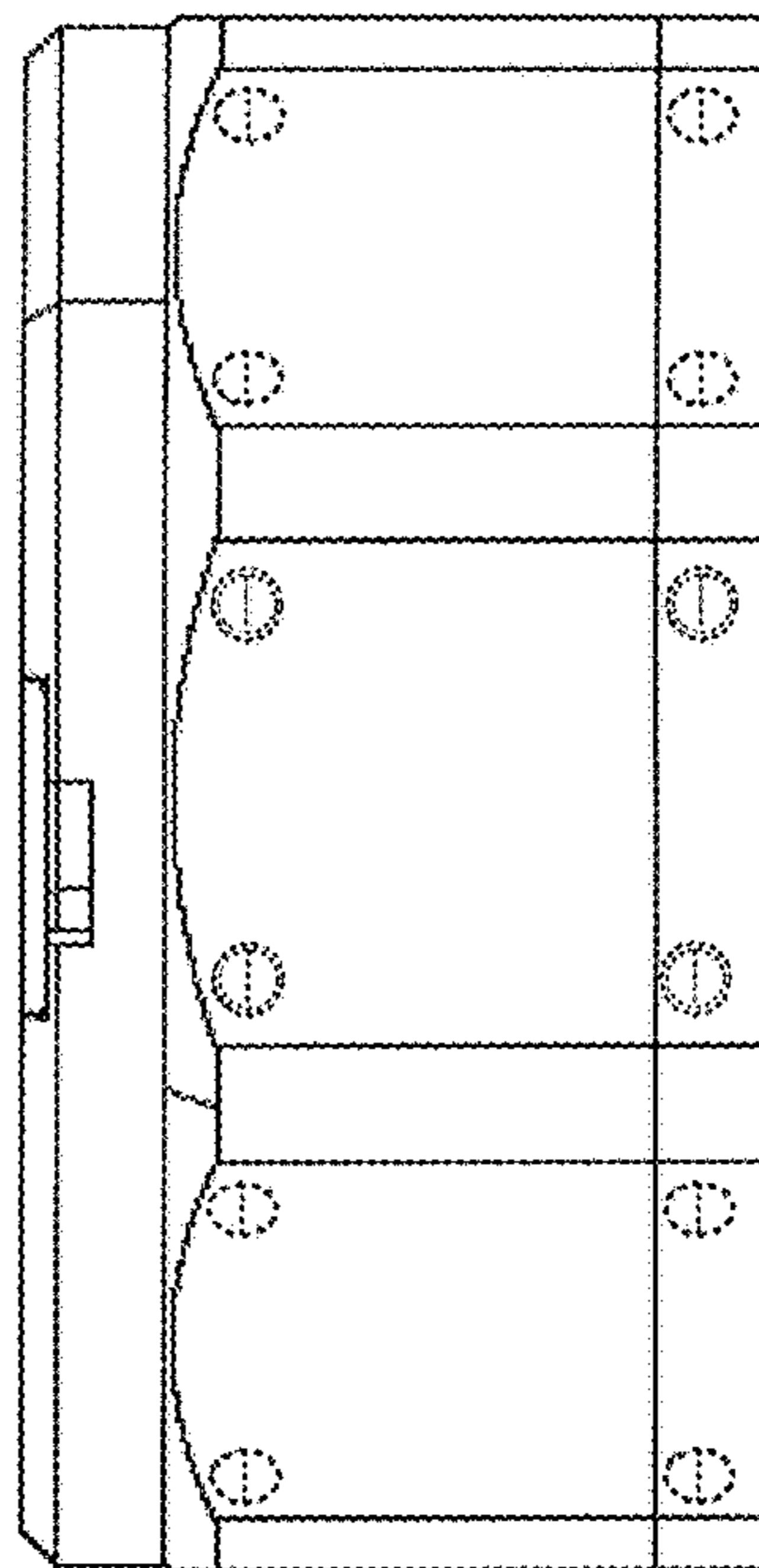


Fig. 7

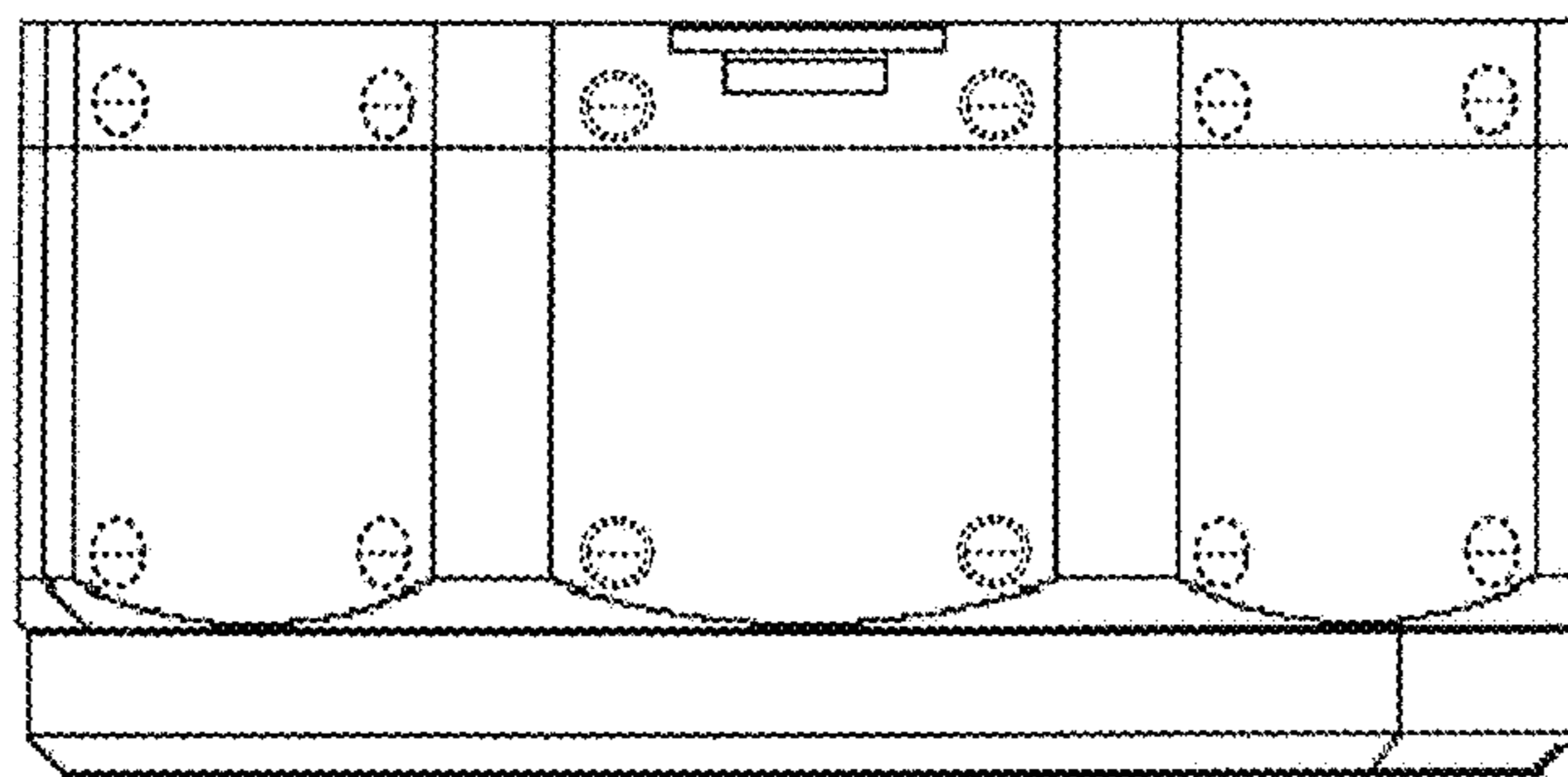


Fig. 8

