



US00D843424S

(12) **United States Design Patent** (10) **Patent No.:** **US D843,424 S**
Moeschl et al. (45) **Date of Patent:** **** Mar. 19, 2019**

(54) **GRINDING ELEMENT**
(71) Applicant: **NETZSCH-Feinmahltechnik GmbH, Selb (DE)**
(72) Inventors: **Holger Moeschl, Selb (DE); Witali Sudermann, Marktredwitz (DE); Bernd Riedel, Schirnding (DE)**
(73) Assignee: **NETZSCH-Feinmahltechnik GmbH, Selb (DE)**
(**) Term: **15 Years**
(21) Appl. No.: **29/603,214**
(22) Filed: **May 8, 2017**

(30) **Foreign Application Priority Data**
Dec. 22, 2016 (DE) 40 2016 101 516
(51) **LOC (11) Cl.** **15-09**
(52) **U.S. Cl.**
USPC **D15/139**
(58) **Field of Classification Search**
USPC D8/86, 70; D15/138, 139, 140
CPC E23B 51/00; E21B 10/54; E21B 10/55;
E21B 10/567; E21B 10/5673; E21B
10/602
See application file for complete search history.

(56) **References Cited**
U.S. PATENT DOCUMENTS
D515,115 S * 2/2006 Sollami D15/139
D531,649 S * 11/2006 Sollami D15/139
D579,470 S * 10/2008 Maeta D15/139

D595,322 S * 6/2009 Sakata D15/139
D595,323 S * 6/2009 Sakata D15/139
D638,041 S * 5/2011 Saito D15/139
D647,116 S * 10/2011 Omi D15/139
D688,716 S * 8/2013 Lampe D15/139
D700,640 S * 3/2014 Choi D15/139
D735,254 S * 7/2015 O'Malley D15/139
D736,841 S * 8/2015 Jung D15/139
D755,267 S * 5/2016 Lee D15/139
D772,319 S * 11/2016 Nam D15/139
D778,330 S * 2/2017 Fang D15/139
D794,102 S * 8/2017 Ryu D15/139
D804,552 S * 12/2017 Lee D15/139
D805,564 S * 12/2017 Lee D15/139
D807,935 S * 1/2018 Dudzinsky D15/139
D815,165 S * 4/2018 Morisaki D15/139
D818,016 S * 5/2018 Yoshida D15/139
D822,077 S * 7/2018 Takahashi D15/139
D822,731 S * 7/2018 Yoshida D15/139

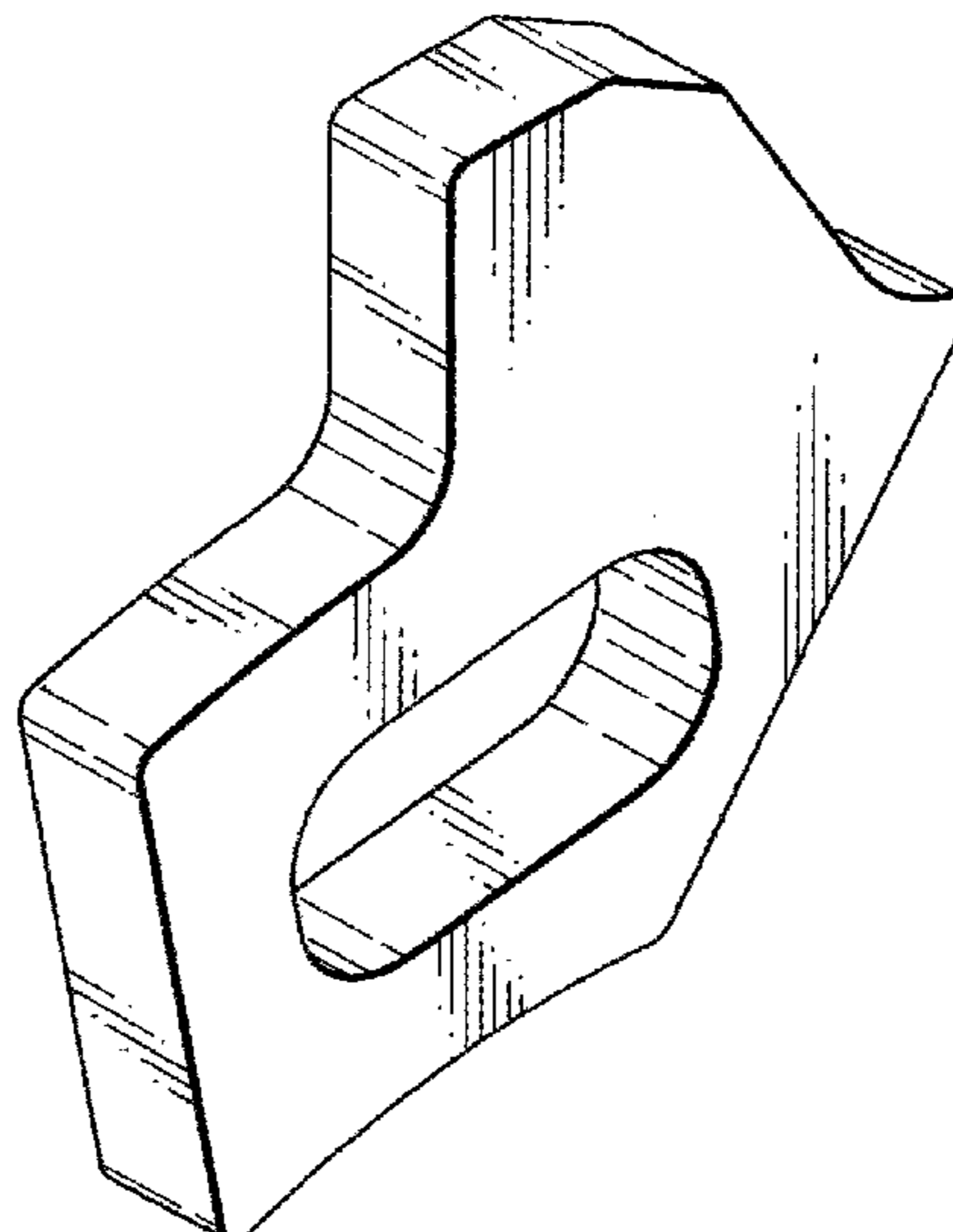
* cited by examiner

Primary Examiner — Darlington Ly
(74) *Attorney, Agent, or Firm* — Whitmyer IP Group LLC

(57) **CLAIM**
The ornamental design for a grinding element, as shown and described.

DESCRIPTION
FIG. 1 is a front and left side isometric view of a grinding element in accordance with the new design; FIG. 2 is a left side elevational view thereof; FIG. 3 is a right side elevational view thereof; FIG. 4 is a front elevational view thereof; FIG. 5 is a rear elevational view thereof; FIG. 6 is a top plan view thereof; and, FIG. 7 is a bottom plan view thereof.

1 Claim, 7 Drawing Sheets



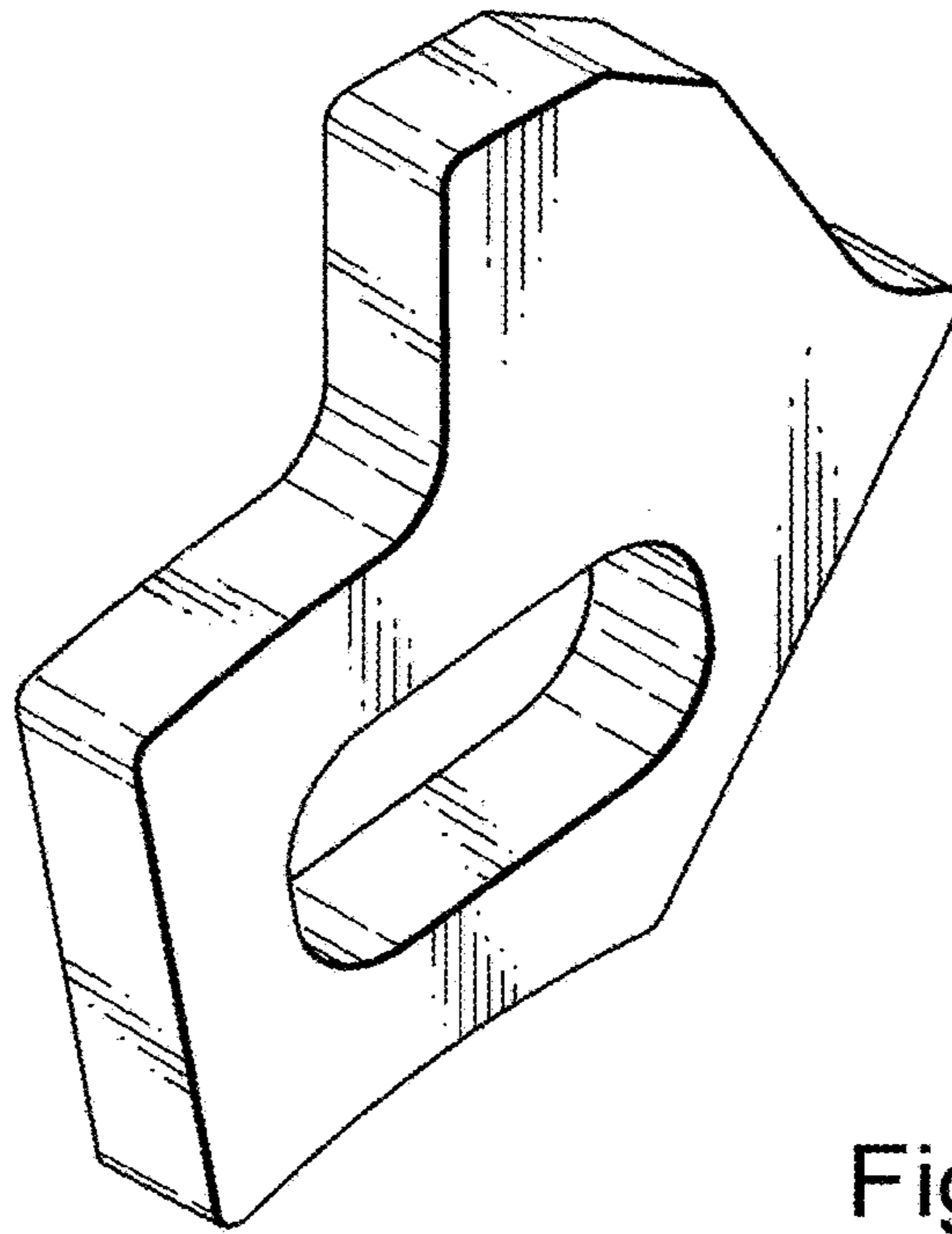


Fig. 1

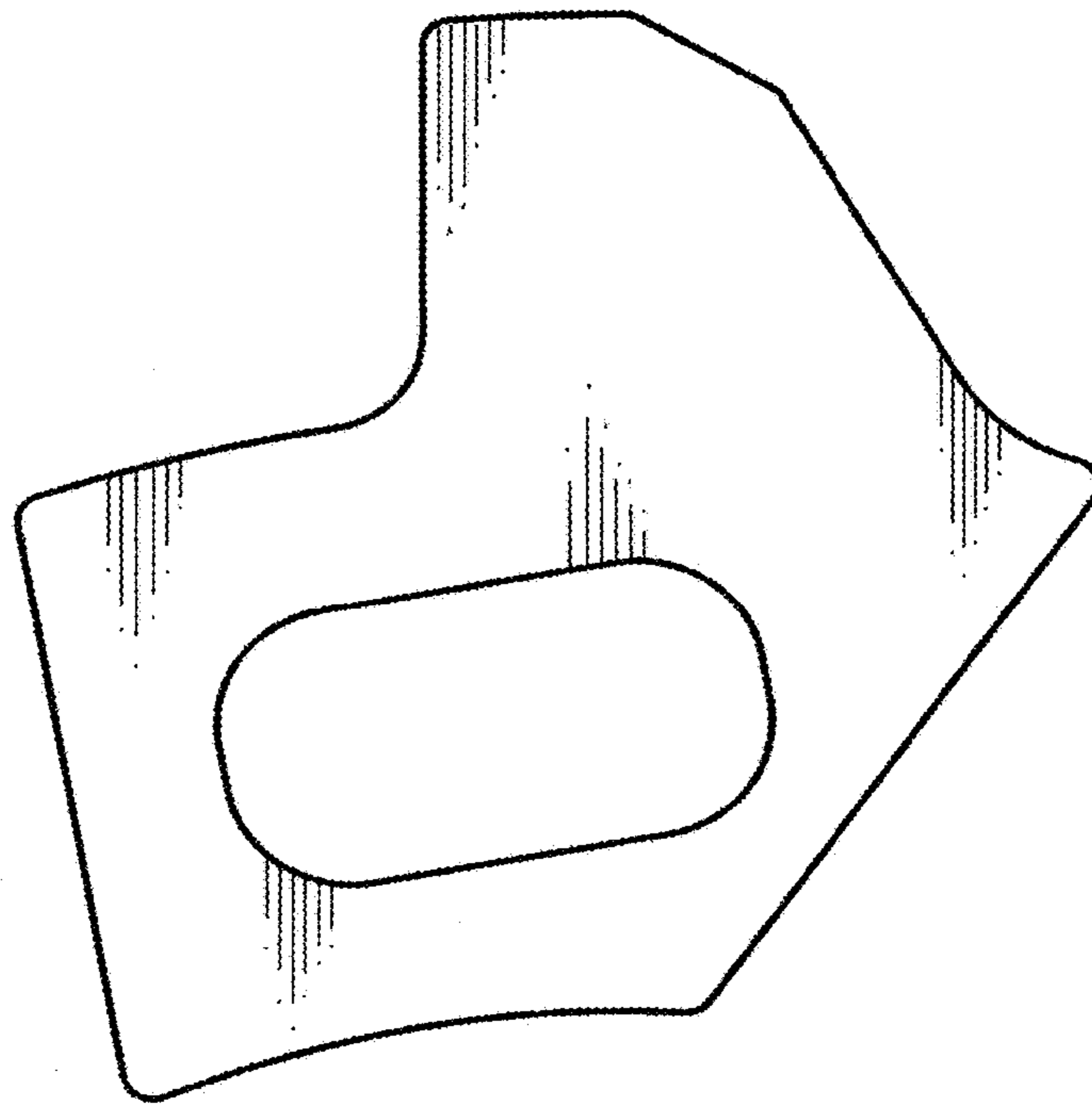


Fig. 2

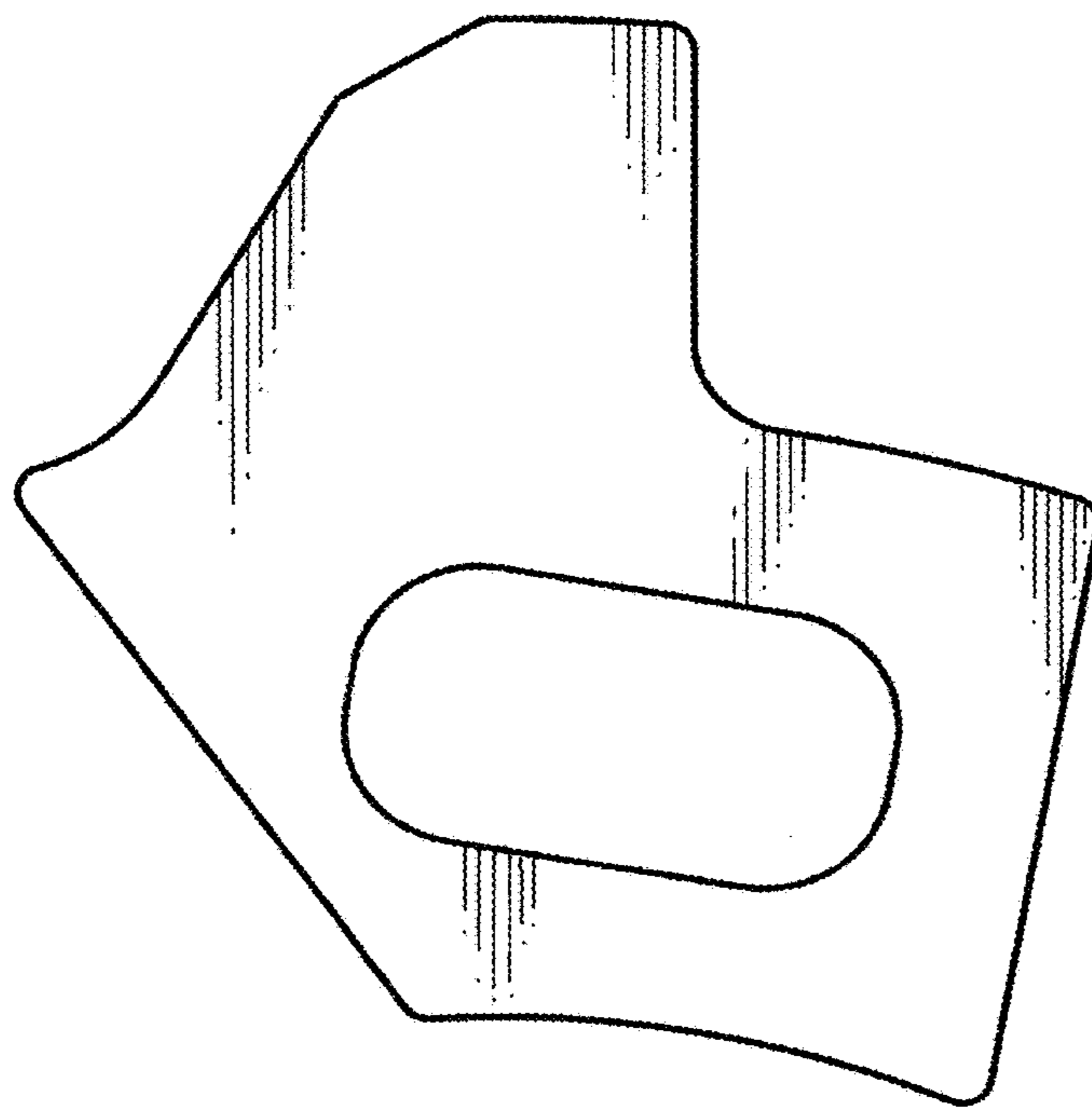


Fig. 3

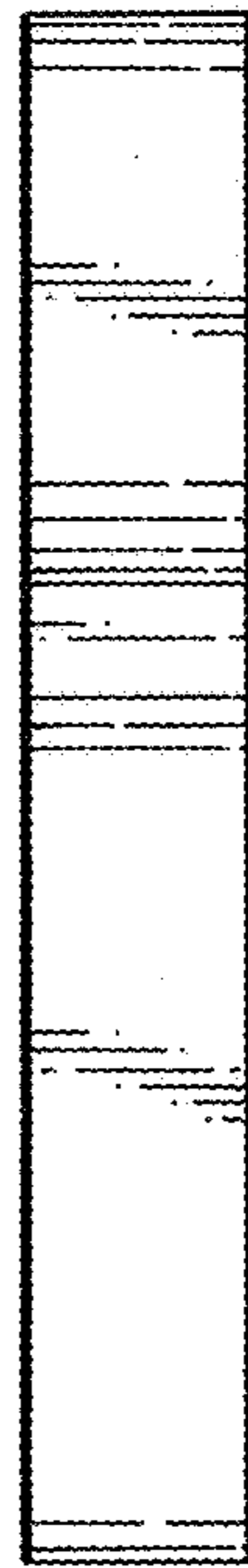


Fig. 4

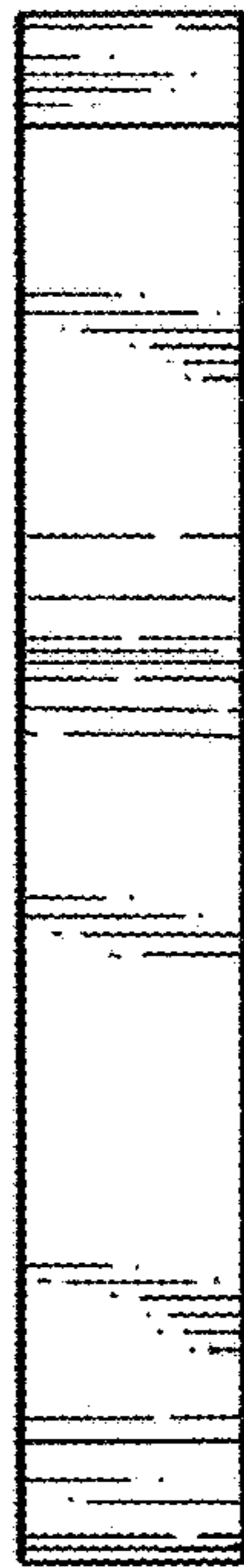


Fig. 5

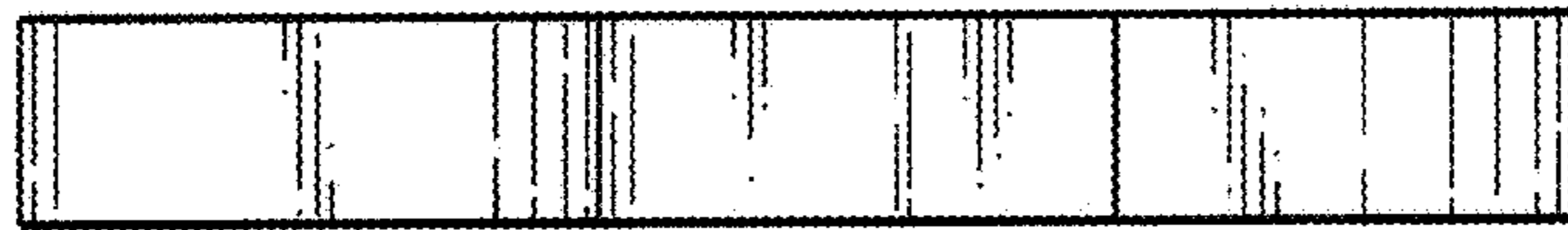


Fig. 6



Fig. 7