



US00D843423S

(12) **United States Design Patent**
Maringer

(10) **Patent No.:** **US D843,423 S**
(45) **Date of Patent:** **** Mar. 19, 2019**

- (54) **DOOR OF A MACHINE TOOL**
- (71) Applicant: **WFL Millturn Technologies GmbH & Co. KG, Linz (AT)**
- (72) Inventor: **Herbert Maringer, Sattledt (AT)**
- (73) Assignee: **WFL Millturn Technologies GmbH & Co. KG, Linz (AT)**
- (**) Term: **15 Years**
- (21) Appl. No.: **29/621,919**
- (22) Filed: **Oct. 12, 2017**
- (30) **Foreign Application Priority Data**
 - Sep. 26, 2017 (EM) 004372688-0002
- (51) **LOC (11) Cl.** **15-09**
- (52) **U.S. Cl.**
USPC **D15/122**
- (58) **Field of Classification Search**
 - USPC D15/17, 28, 33, 122, 131, 138, 141, 199
 - CPC B02C 13/00; B02C 13/26; B02C 13/28; B02C 13/282; B02C 7/13; B02C 19/06; B02C 19/11; B02C 2013/282; B02C 2018/162; B23Q 11/085

See application file for complete search history.

- 4,380,412 A * 4/1983 Walsh B24B 13/046
409/314
- 4,576,069 A * 3/1986 Bazuin B23Q 11/08
408/2
- D301,585 S * 6/1989 Linn D15/138
- D305,133 S * 12/1989 Gutknecht D21/385
- 5,008,828 A * 4/1991 Pinard G05B 19/40932
700/160
- 5,367,754 A * 11/1994 Sheehan B23B 3/161
29/27 C
- D359,146 S * 6/1995 Finch D30/121
- D366,061 S * 1/1996 Likins D18/53
- D368,917 S * 4/1996 Isshiki D15/130
- D374,891 S * 10/1996 Bornhorst, Jr. D18/57
- D377,945 S * 2/1997 Bornhorst, Jr. D18/57
- D381,682 S * 7/1997 Bornhorst, Jr. D18/57
- D399,221 S * 10/1998 Schwartz D15/141
- D445,807 S * 7/2001 Baulk D15/127
- 6,517,019 B2 * 2/2003 Johnson B02C 13/282
241/101.761
- 6,749,495 B2 * 6/2004 Grund B23Q 11/0816
409/134
- 6,987,241 B2 * 1/2006 Hacker B23Q 11/0825
160/222

(Continued)

Primary Examiner — Patricia A Palasik
(74) *Attorney, Agent, or Firm* — Collard & Roe, P.C.

(57) **CLAIM**

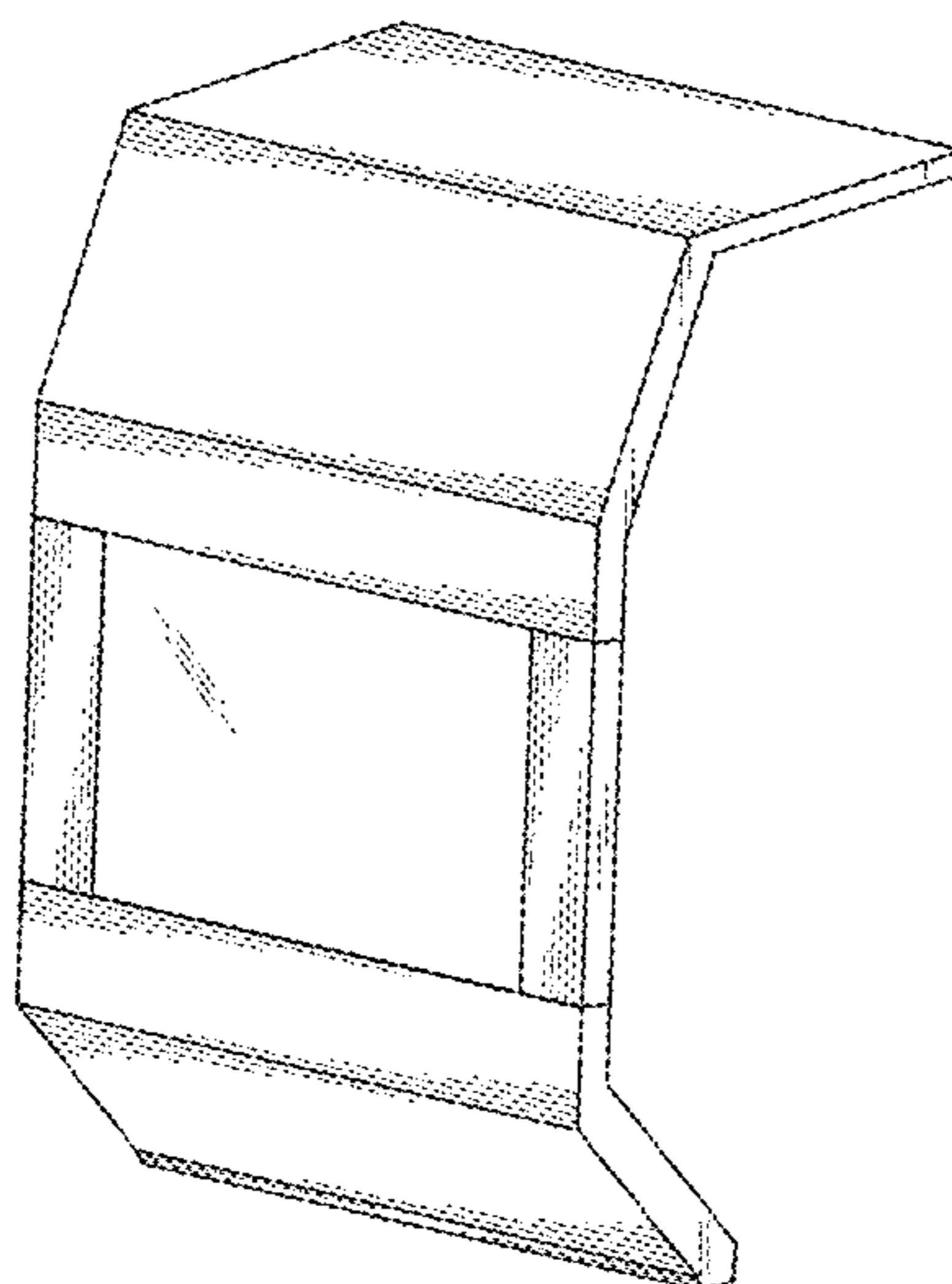
The ornamental design for a door of a machine tool, as shown and described.

DESCRIPTION

FIG. 1 is a front, right side and top perspective view of a door of a machine tool, showing my new design;
FIG. 2 is a front view thereof;
FIG. 3 is a right side view thereof;
FIG. 4 is a left side view thereof;
FIG. 5 is a rear view thereof;
FIG. 6 is a top view thereof; and,
FIG. 7 is a bottom view thereof.

1 Claim, 7 Drawing Sheets

- (56) **References Cited**
 - U.S. PATENT DOCUMENTS
 - 2,198,436 A * 4/1940 Hoffman A47F 3/043
292/76
 - 2,835,360 A * 5/1958 Bernardoni E06B 3/26301
285/223
 - D241,160 S * 8/1976 Gurian Tempe et al. ... D15/122
 - 4,062,500 A * 12/1977 Peterson, Jr. B02C 18/186
241/285.3
 - D252,575 S * 8/1979 Simmons D15/130



(56)

References Cited

U.S. PATENT DOCUMENTS

D588,173	S	*	3/2009	Arisue	D15/122
D658,338	S	*	4/2012	Law	D30/124
D690,744	S	*	10/2013	Koide	D15/122
D690,745	S	*	10/2013	Koide	D15/122
D693,380	S	*	11/2013	Mueller	D15/122
D707,273	S	*	6/2014	Maringer	D15/138
D707,371	S	*	6/2014	Maringer	D25/138
D727,379	S	*	4/2015	Mueller	D15/122
D748,697	S	*	2/2016	Hynek	D15/130
D749,655	S	*	2/2016	Keckstein	D15/130
D753,199	S	*	4/2016	Hynek	D15/130
D753,733	S	*	4/2016	Schönherr	D15/122
D754,224	S	*	4/2016	Schönherr	D15/122
D757,828	S	*	5/2016	Lange	D15/122
2003/0183635	A1	*	10/2003	Fujii	B23Q 11/0825 220/345.1
2008/0168860	A1	*	7/2008	Nishi	B23Q 11/0891 74/616

* cited by examiner

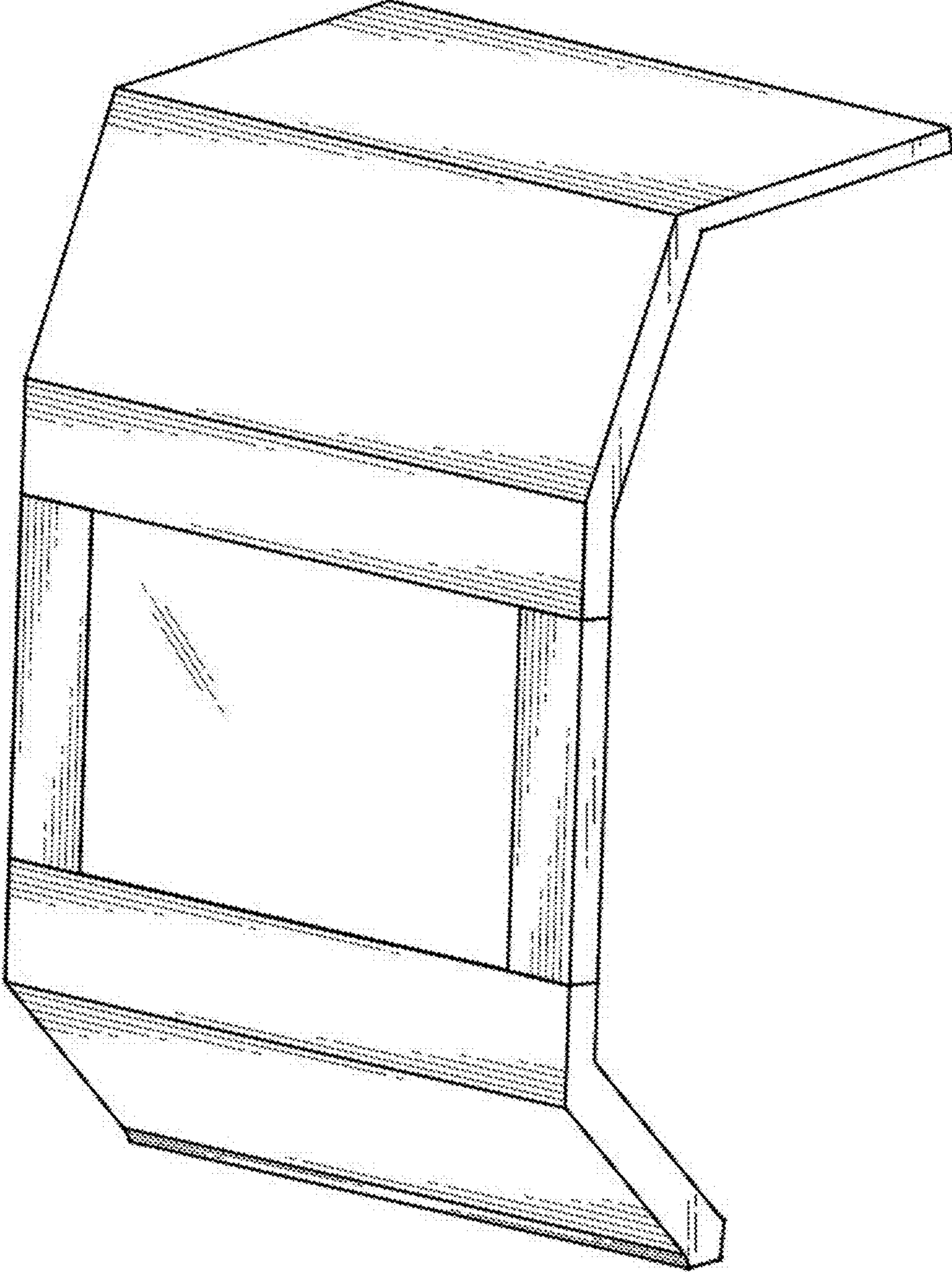


FIG. 1

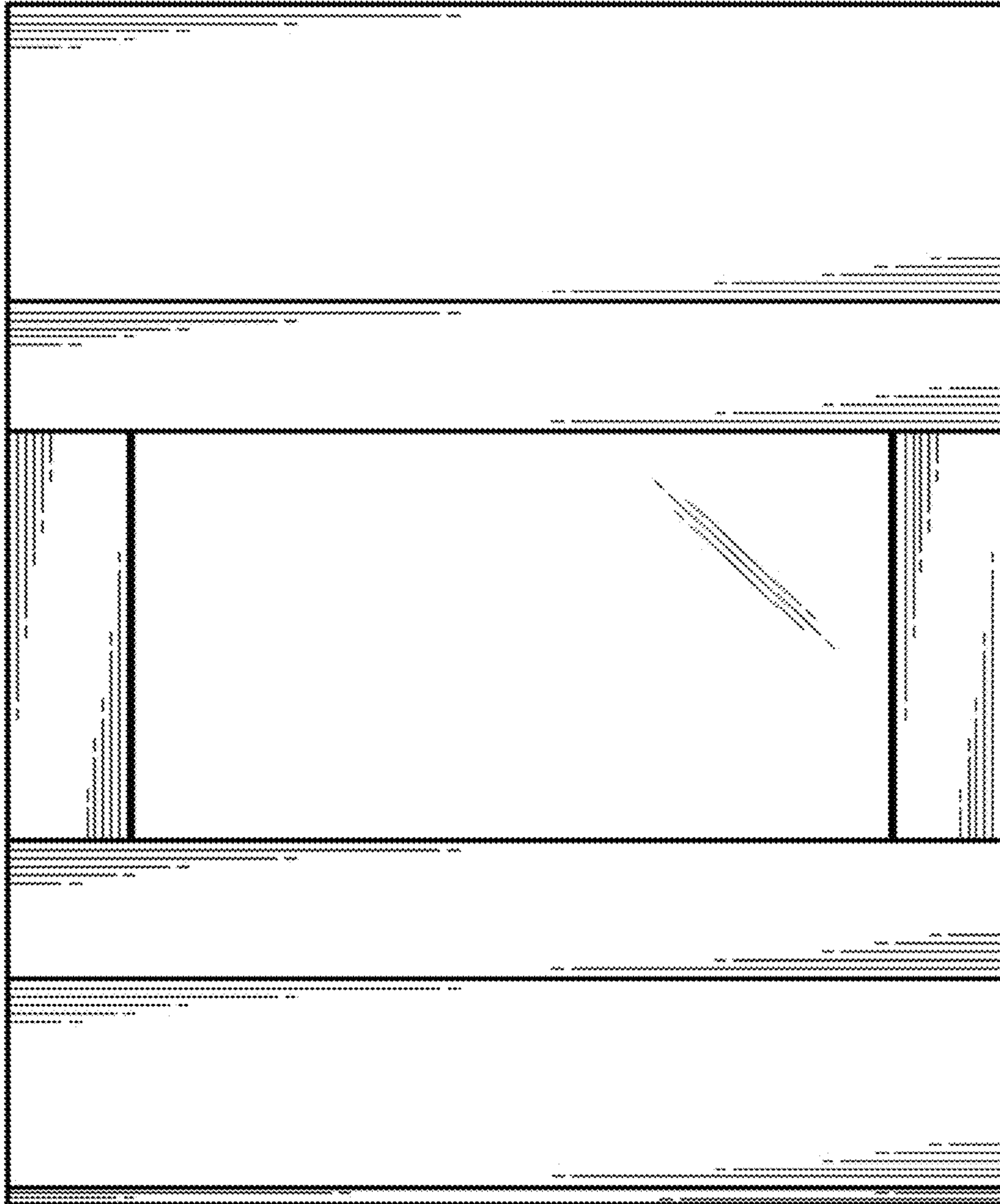


FIG. 2

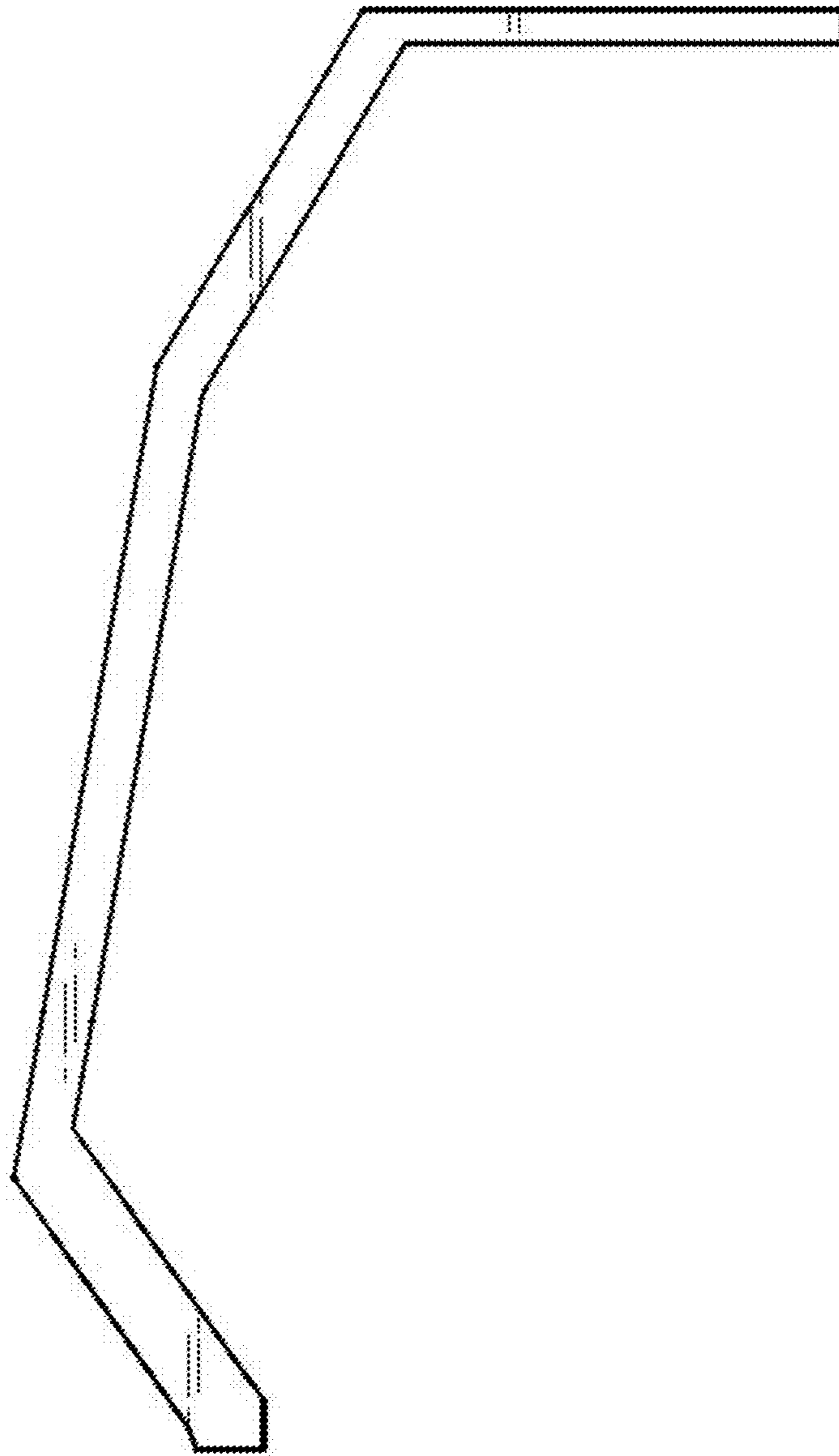


FIG. 3

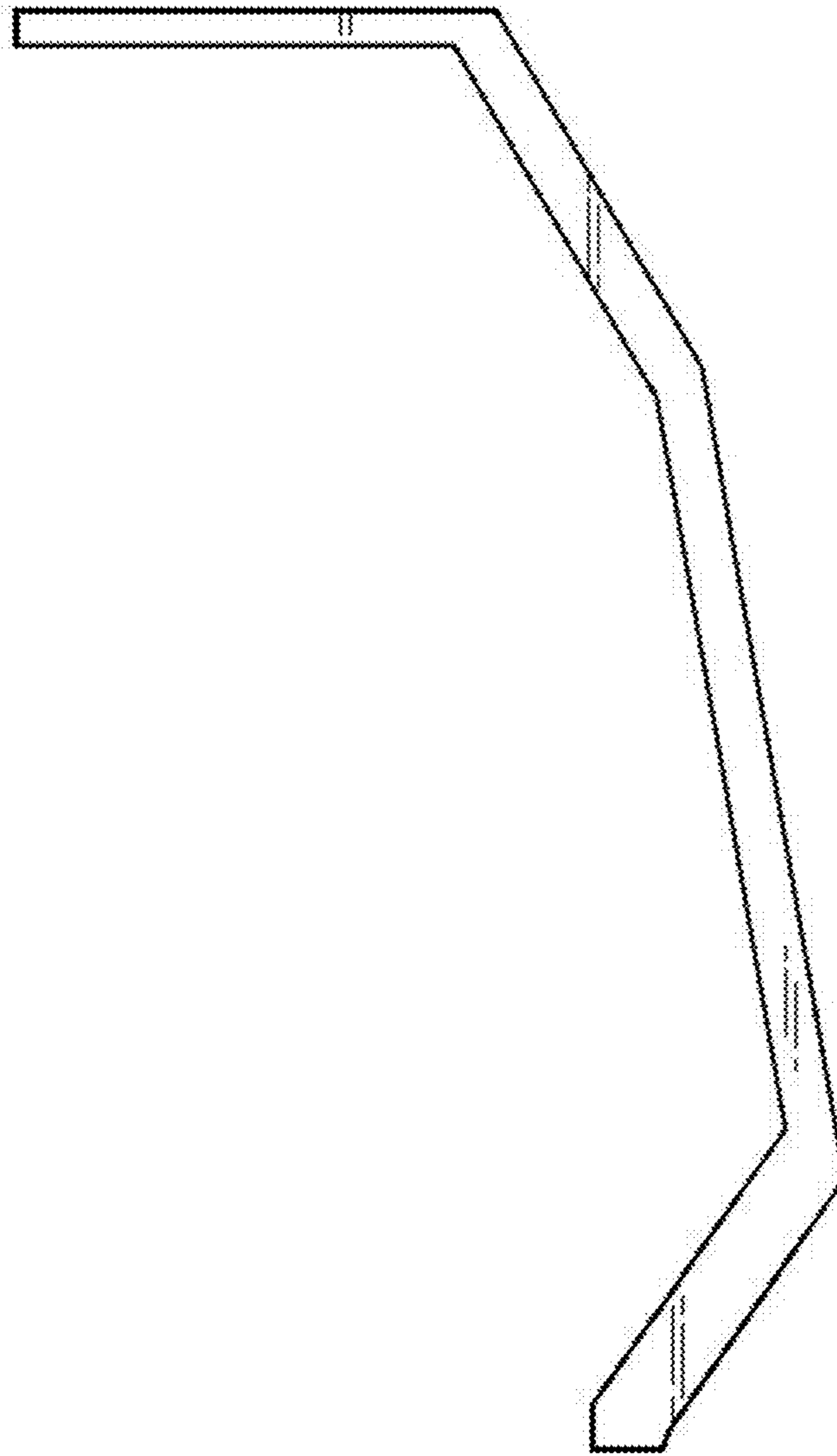


FIG. 4

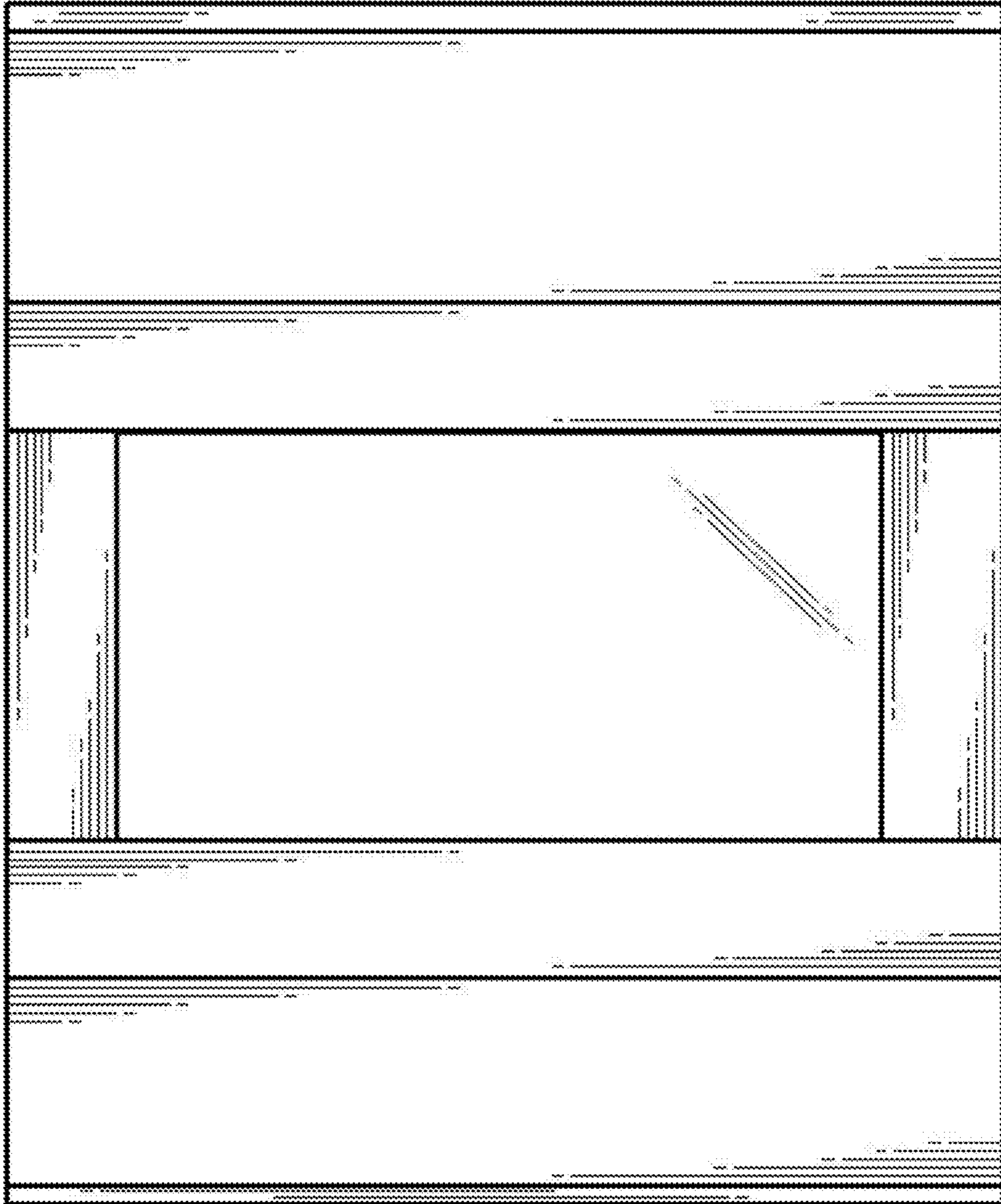


FIG. 5

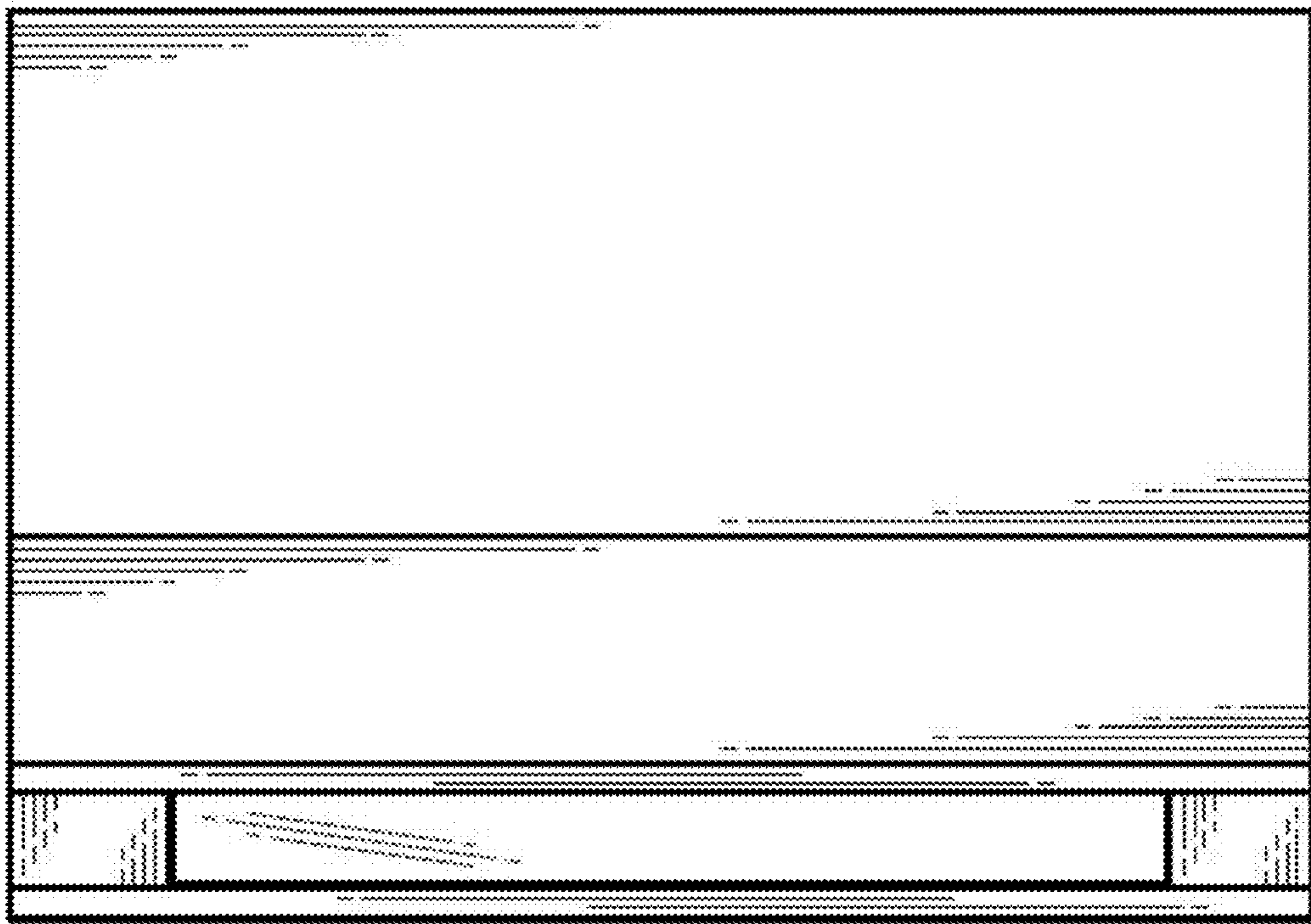


FIG. 6

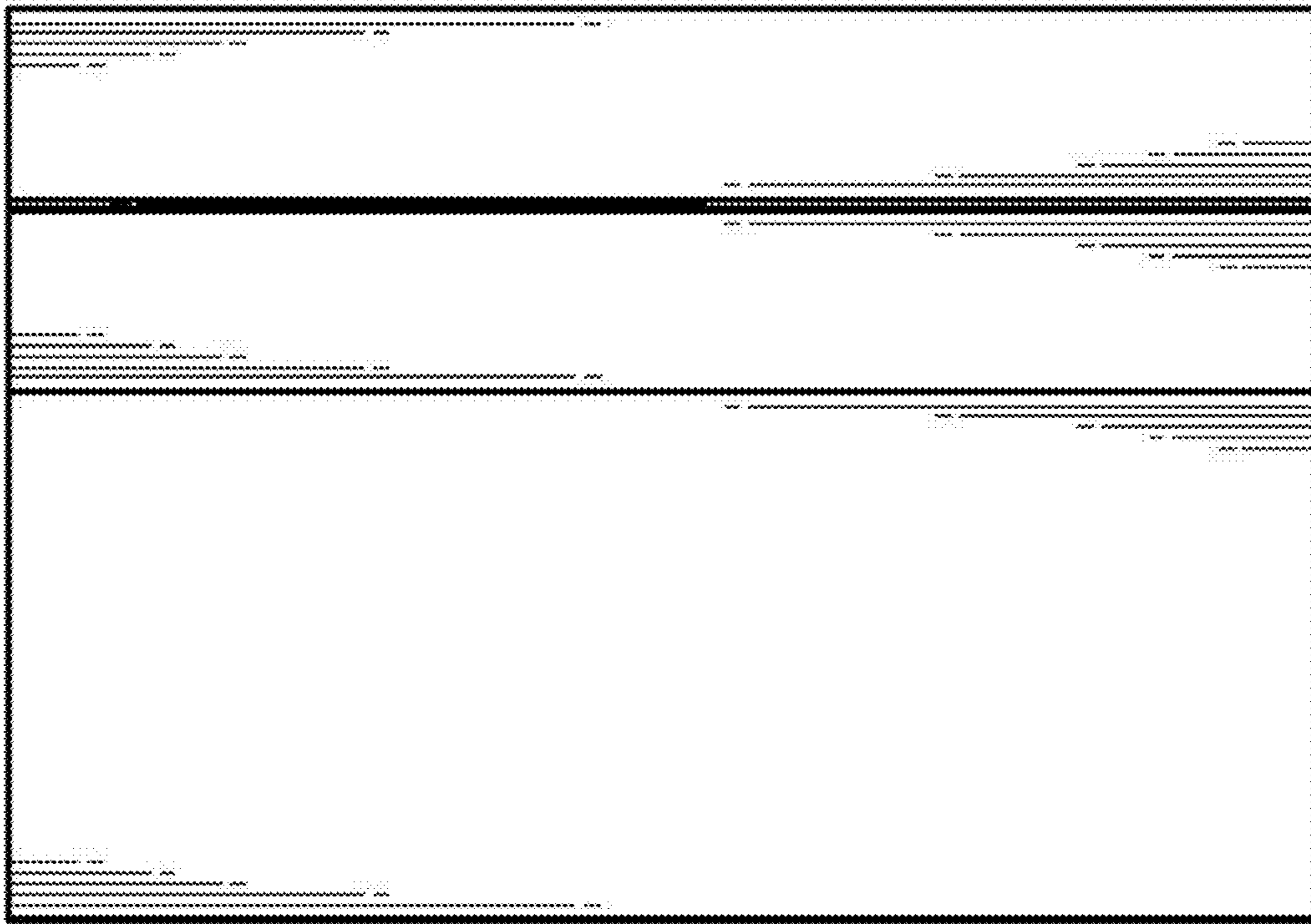


FIG. 7