



US00D843420S

(12) **United States Design Patent** (10) **Patent No.:** **US D843,420 S**  
**Zabe et al.** (45) **Date of Patent:** **\*\* Mar. 19, 2019**

- (54) **AGRICULTURAL BALER**
- (71) Applicant: **Deere & Company**, Moline, IL (US)
- (72) Inventors: **Mickael Zabe**, Ougney (FR);  
**Emmanuel Chapon**, Velet (FR)
- (73) Assignee: **DEERE & COMPANY**, Moline, IL (US)
- (\*\*) Term: **15 Years**
- (21) Appl. No.: **29/653,257**
- (22) Filed: **Jun. 13, 2018**

3,913,473 A	10/1975	Meiers	
D238,501 S *	1/1976	Gaeddert et al.	D15/27
D242,572 S *	11/1976	Grist et al.	D15/27
D268,678 S	4/1983	Swenson et al.	
5,131,214 A	7/1992	Vermeer	
5,138,942 A	8/1992	Henderson et al.	
5,231,828 A	8/1993	Swearingen et al.	
5,257,885 A	11/1993	Reil	
D357,688 S	4/1995	Sprague	
D388,440 S	12/1997	Bentley	
D412,507 S	8/1999	Underhill et al.	
6,857,251 B2	2/2005	McClure et al.	
D600,253 S	9/2009	Jacobs	
D626,972 S	11/2010	Hoover et al.	
D702,263 S	4/2014	Jacobsthal et al.	
D796,558 S	9/2017	Johnson et al.	
D797,158 S	9/2017	Johnson et al.	
D825,618 S *	8/2018	Zabe	D15/27
2013/0133530 A1	5/2013	Roberge et al.	
2014/0013970 A1 *	1/2014	Olander	A01F 15/0833 100/88
2015/0143789 A1 *	5/2015	Smith	A01F 15/0883 56/314

**Related U.S. Application Data**

- (62) Division of application No. 29/583,830, filed on Nov. 9, 2016, now Pat. No. Des. 825,618.

**Foreign Application Priority Data**

- May 13, 2016 (EP) ..... 003126325

- (51) **LOC (11) Cl.** ..... **15-03**

- (52) **U.S. Cl.**  
USPC ..... **D15/27**

- (58) **Field of Classification Search**  
USPC ..... D15/27, 28, 33, 10, 17; 414/24.5;  
100/4, 5, 8, 88, 100; 56/341-343, 432,  
56/202

CPC .... A01F 15/00; A01F 15/085; A01F 15/0715;  
A01F 15/08; A01F 15/07; A01F 15/0883  
See application file for complete search history.

(56) **References Cited**

**U.S. PATENT DOCUMENTS**

D184,568 S	3/1959	Kermes
D188,800 S	9/1960	Kermes et al.
D207,855 S	6/1967	Kermes

(Continued)

*Primary Examiner* — Mark A Goodwin

(74) *Attorney, Agent, or Firm* — Klintworth & Rozenblat IP LLP

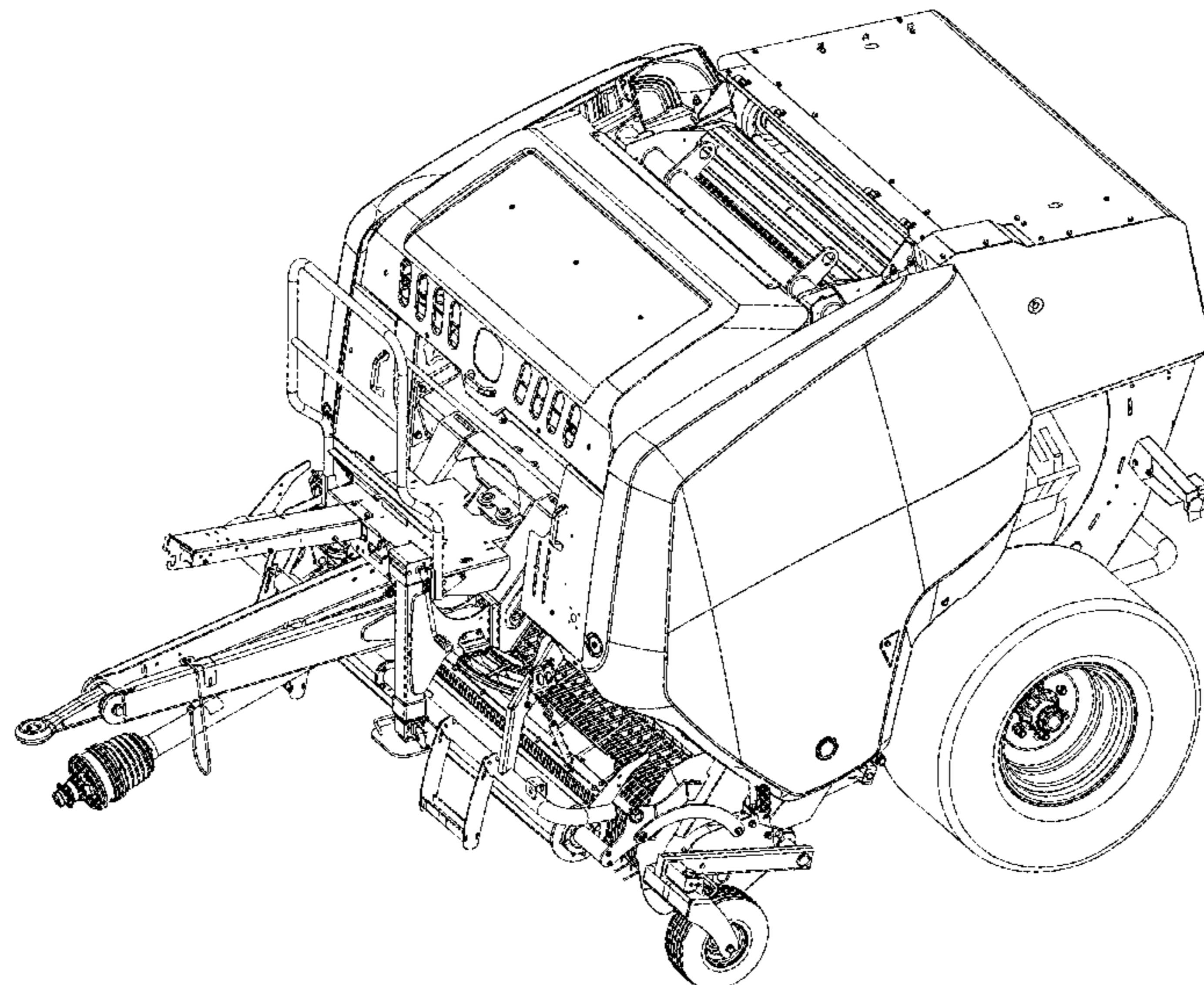
(57) **CLAIM**

The ornamental design for an agricultural baler, as shown and described.

**DESCRIPTION**

FIG. 1 is a front perspective view of an agricultural baler showing our new design;  
FIG. 2 is a left side elevation view thereof;  
FIG. 3 is a right side elevation view thereof;  
FIG. 4 is a front elevation view thereof;  
FIG. 5 is a rear elevation view thereof;  
FIG. 6 is a top plan view thereof; and,  
FIG. 7 is a bottom plan view thereof.

**1 Claim, 7 Drawing Sheets**



(56)

**References Cited**

U.S. PATENT DOCUMENTS

2015/0143791 A1\* 5/2015 Smith ..... A01F 15/0883  
56/341  
2015/0195994 A1\* 7/2015 Ostermann ..... A01F 15/0715  
100/3  
2015/0296715 A1\* 10/2015 Simmons ..... A01F 15/0715  
56/341  
2016/0316633 A1\* 11/2016 Smith ..... A01F 15/0705  
2017/0164558 A1\* 6/2017 Smith ..... A01F 15/085  
2018/0014467 A1\* 1/2018 Lang ..... A01D 89/00  
2018/0016048 A1\* 1/2018 Underhill ..... A01F 15/0715

\* cited by examiner

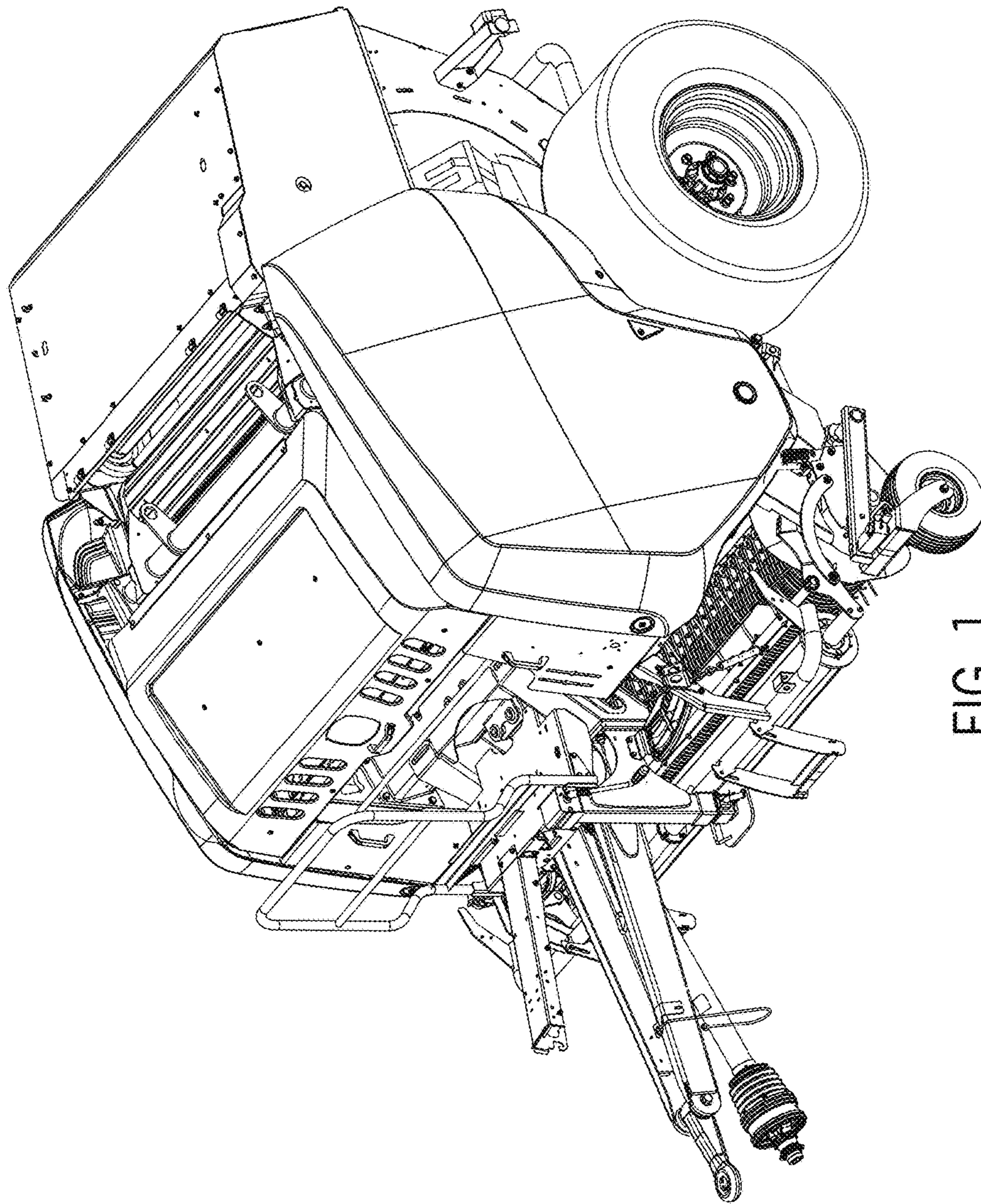


FIG. 1

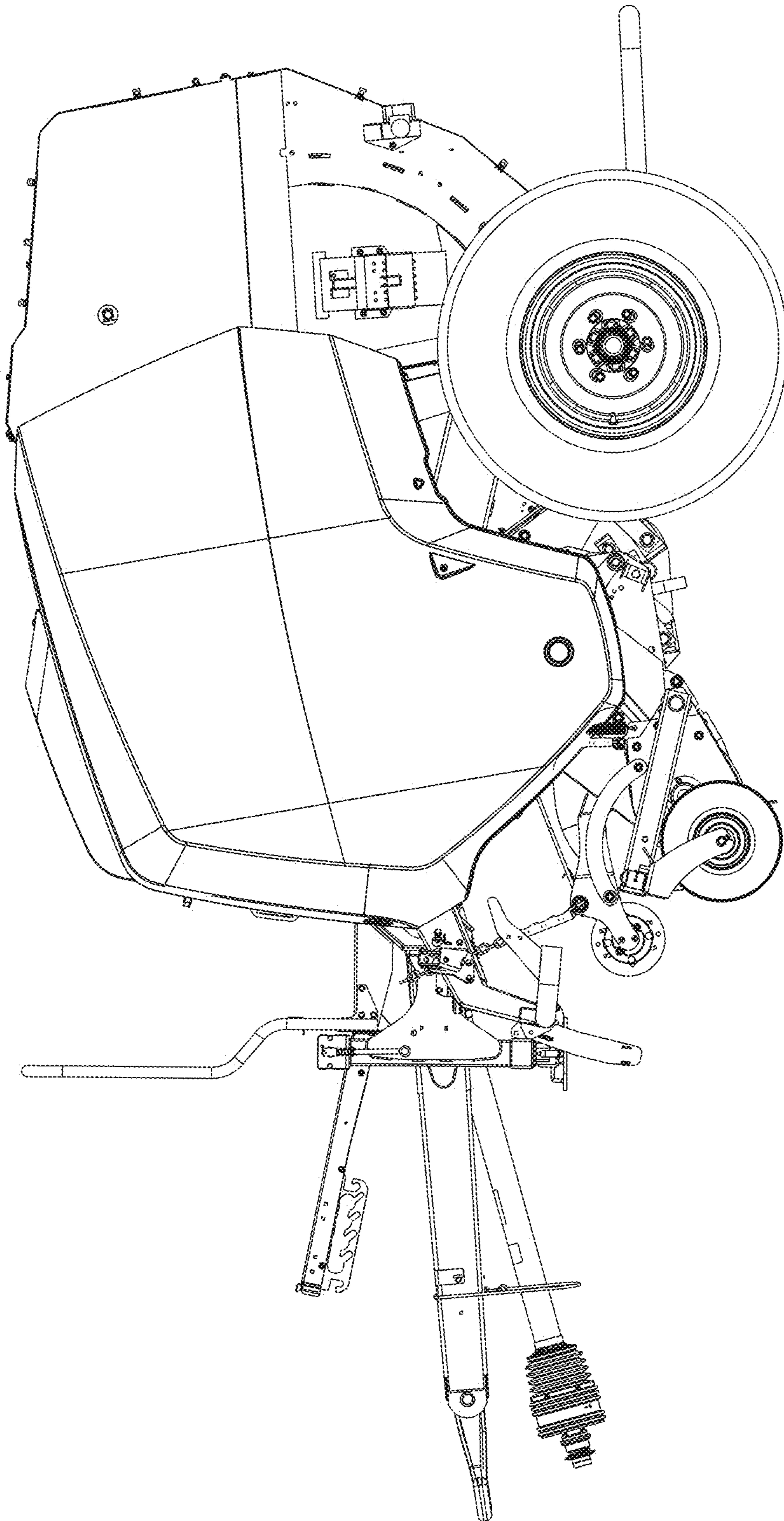


FIG. 2

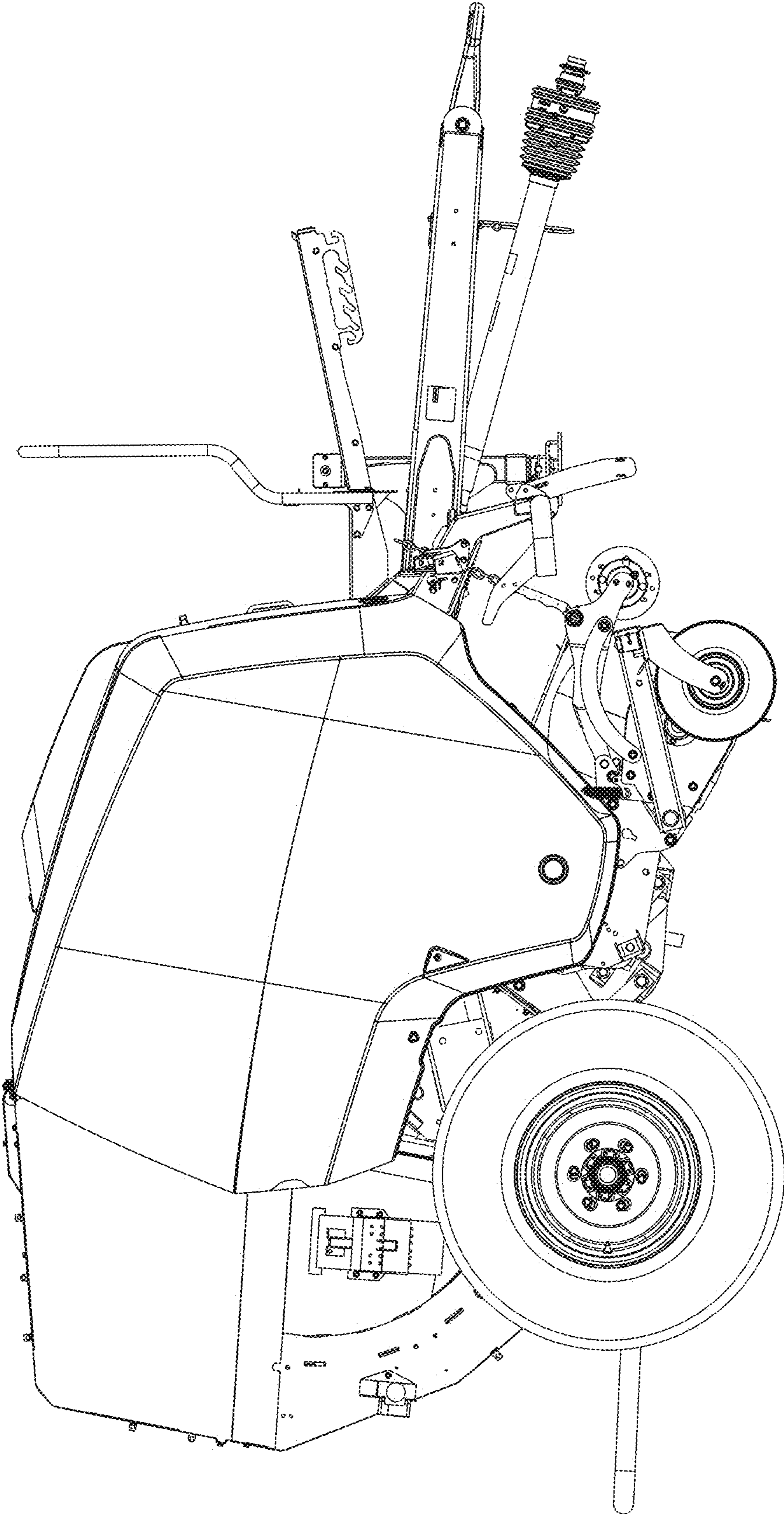


FIG. 3

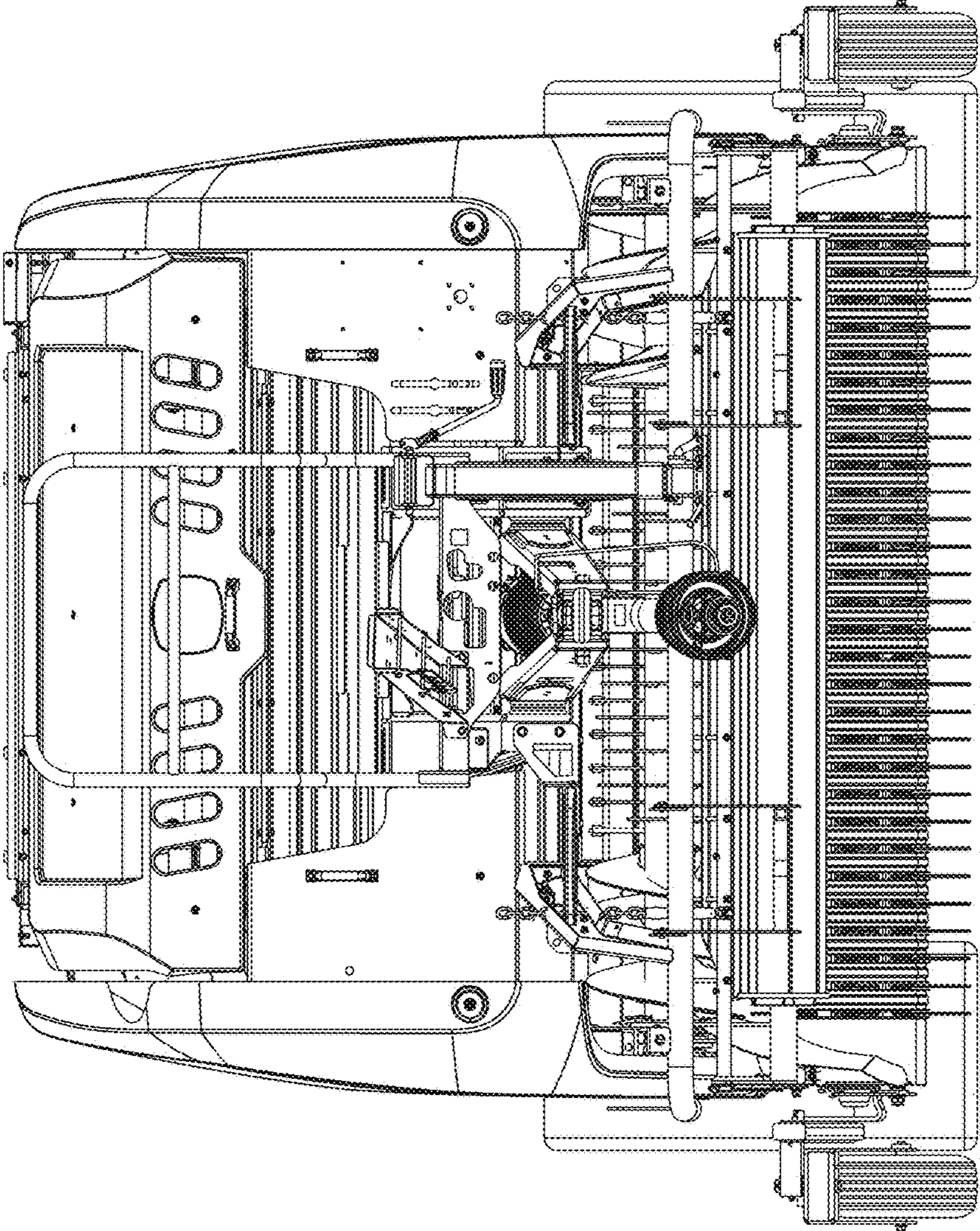


FIG. 4

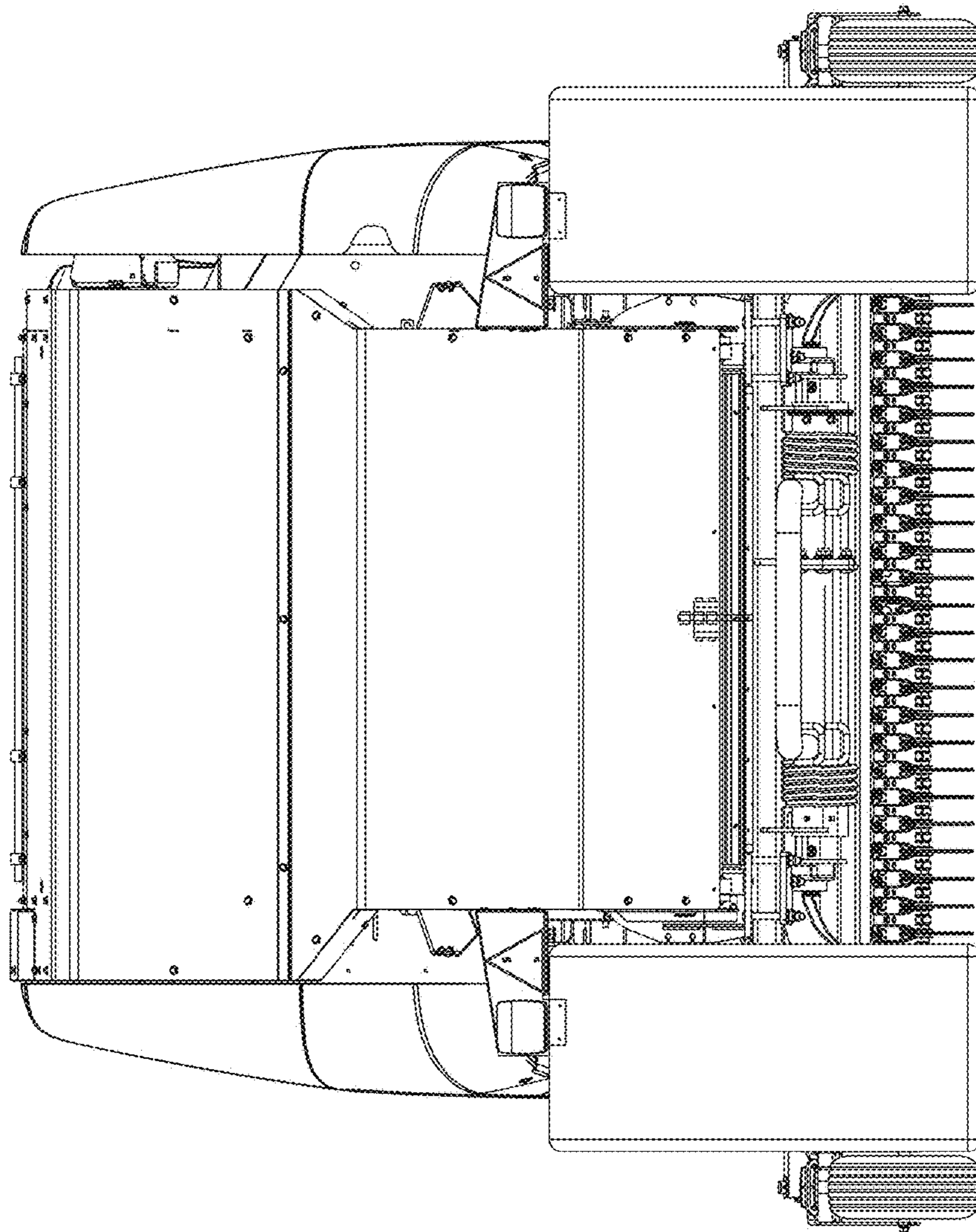


FIG. 5

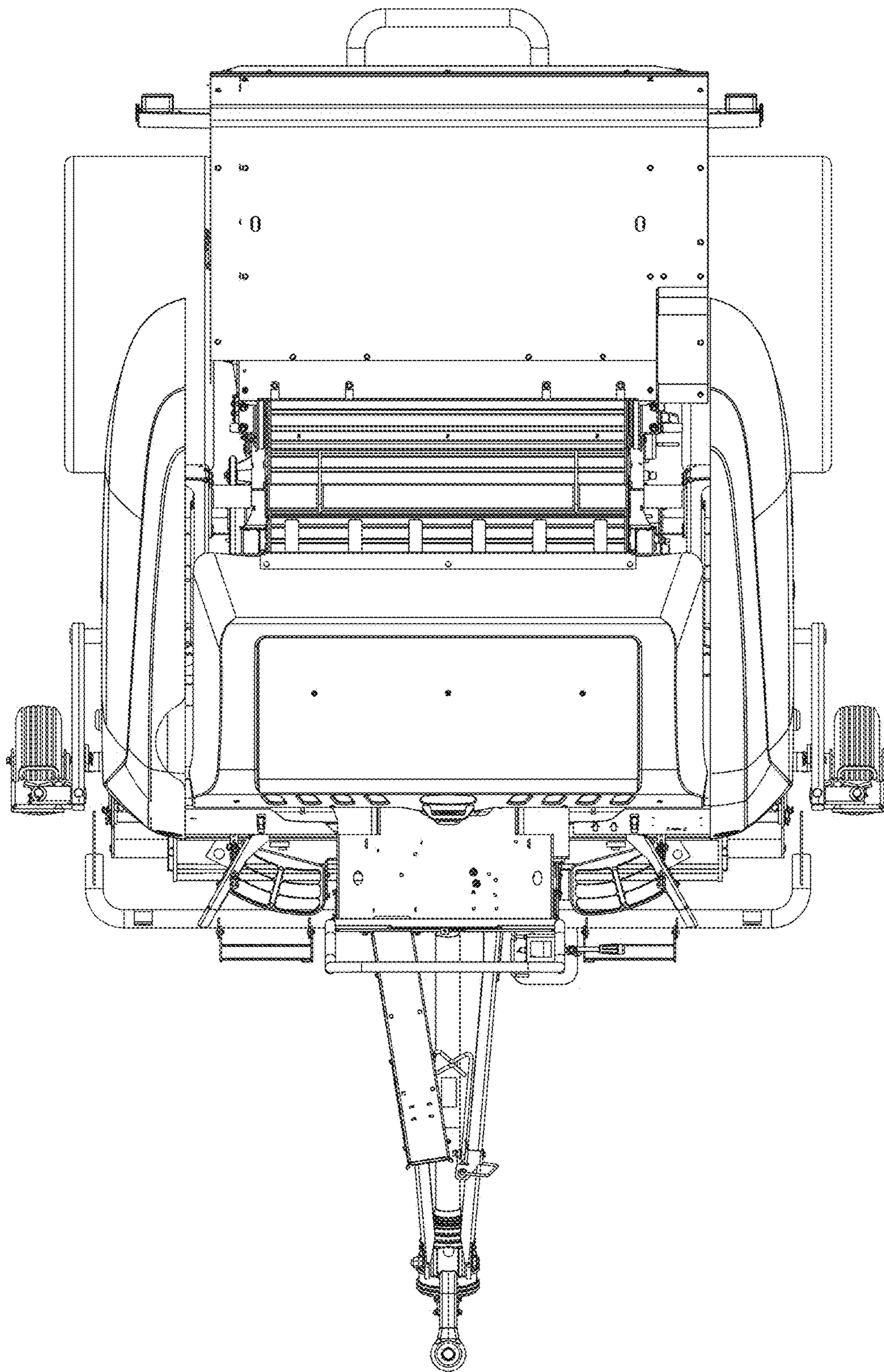


FIG. 6



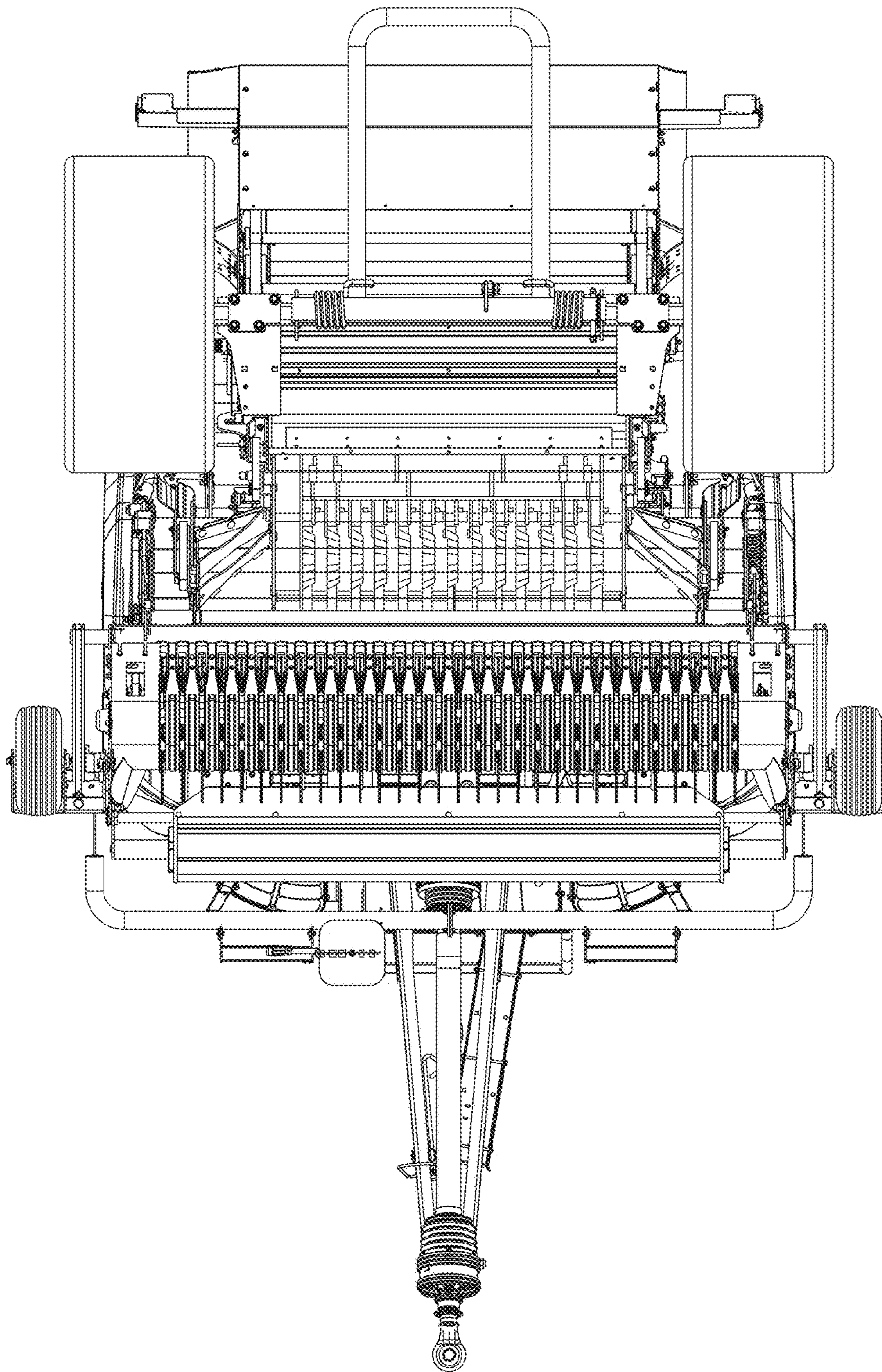


FIG. 7