



US00D843419S

(12) **United States Design Patent** (10) **Patent No.:** **US D843,419 S**  
**Vaclavik et al.** (45) **Date of Patent:** **\*\* Mar. 19, 2019**

(54) **AUDIO INPUT/OUTPUT DEVICE**  
(71) Applicant: **Harman International Industries, Incorporated**, Northridge, CA (US)  
(72) Inventors: **Ondrej Vaclavik**, Shenzhen (CN); **Alexander Demin**, Shenzhen (CN)  
(73) Assignee: **Harman International Industries, Incorporated**, Northridge, CA (US)

D711,352 S \* 8/2014 Szymanski ..... D14/216  
D711,353 S \* 8/2014 Szymanski ..... D14/216  
D712,378 S \* 9/2014 Mackiewicz ..... D14/216  
D714,248 S \* 9/2014 Chang ..... D14/140  
D729,772 S \* 5/2015 Ferber ..... D14/216  
D731,465 S \* 6/2015 Khubani ..... D14/216  
D743,377 S \* 11/2015 Mackiewicz ..... D14/216

(Continued)

(\*\*) Term: **15 Years**  
(21) Appl. No.: **29/615,780**

(22) Filed: **Aug. 31, 2017**

(51) **LOC (11) Cl.** ..... **14-03**

(52) **U.S. Cl.**  
USPC ..... **D14/496**; D14/216

(58) **Field of Classification Search**  
USPC .... D14/125, 137, 140–140.9, 155, 159, 167, D14/168, 172, 188, 194, 203.1, 204, D14/209.1, 216, 217, 221, 225–229, 240, D14/242, 299, 348, 349, 356–358, 432, D14/433, 474, 496, 497, 160, 203.6, 506, D14/509, 212, 213, 195; D10/104.1, D10/106.1–106.9; D13/108, 110, 123, D13/158, 177, 199; D21/333, 483, 513  
CPC ..... H04L 12/00; H03K 17/00; H04W 88/00; H04W 88/04; H04B 1/38; G10H 1/361; H04R 5/00; H04R 1/02; H04R 1/04; H04R 1/08  
See application file for complete search history.

(56) **References Cited**

**U.S. PATENT DOCUMENTS**

D220,543 S \* 4/1971 Unger ..... D14/188  
D584,289 S \* 1/2009 Lee ..... D14/216  
D584,290 S \* 1/2009 Lee ..... D14/216  
D691,587 S \* 10/2013 Ferber ..... D14/216  
D692,413 S \* 10/2013 Holzer ..... D14/215

**OTHER PUBLICATIONS**

“Harman Kardon’s Alexa-enabled Astra speaker is its answer to the HomePod,” Harman Kardon Astra pictured therein, online, post date Mar. 1, 2018, <URL: <https://www.digitaltrends.com/home/harman-kardon-astra/>>, retrieved Jul. 16, 2018.\*

(Continued)

*Primary Examiner* — Jeffrey D Asch  
*Assistant Examiner* — Rebekah A Caruso  
(74) *Attorney, Agent, or Firm* — Plumsea Law Group, LLC

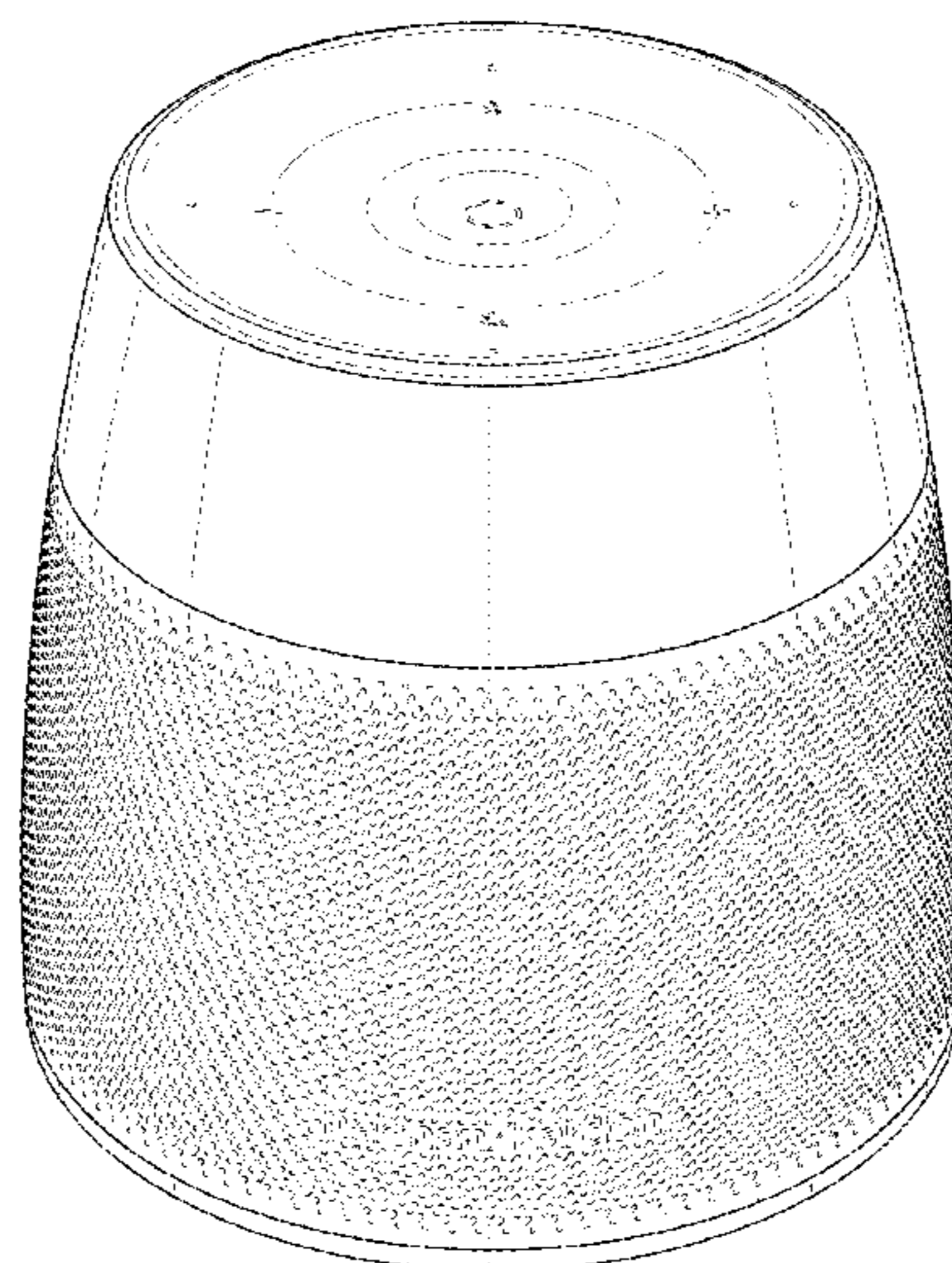
(57) **CLAIM**

The ornamental design for an audio input/output device, as shown and described.

**DESCRIPTION**

FIG. 1 is a perspective view showing an audio input/output device according to our new design.  
FIG. 2 is a front elevation view thereof.  
FIG. 3 is a rear elevation view thereof.  
FIG. 4 is a side elevation view of one side thereof.  
FIG. 5 is a side elevation view of the opposite side thereof.  
FIG. 6 is a top plan view thereof; and,  
FIG. 7 is a bottom plan view thereof.  
The broken lines and unshaded areas form no part of the claimed design. The line shading on the audio input/output device is intended to depict surface contours, and does not connote any specific material, surface treatment, or texture.

**1 Claim, 7 Drawing Sheets**



(56)

**References Cited**

U.S. PATENT DOCUMENTS

D781,798 S \* 3/2017 Klepper ..... D14/125  
D784,271 S \* 4/2017 Burke ..... D13/168  
D802,022 S \* 11/2017 Yao ..... D14/496  
D810,137 S \* 2/2018 Tsang ..... D14/496

OTHER PUBLICATIONS

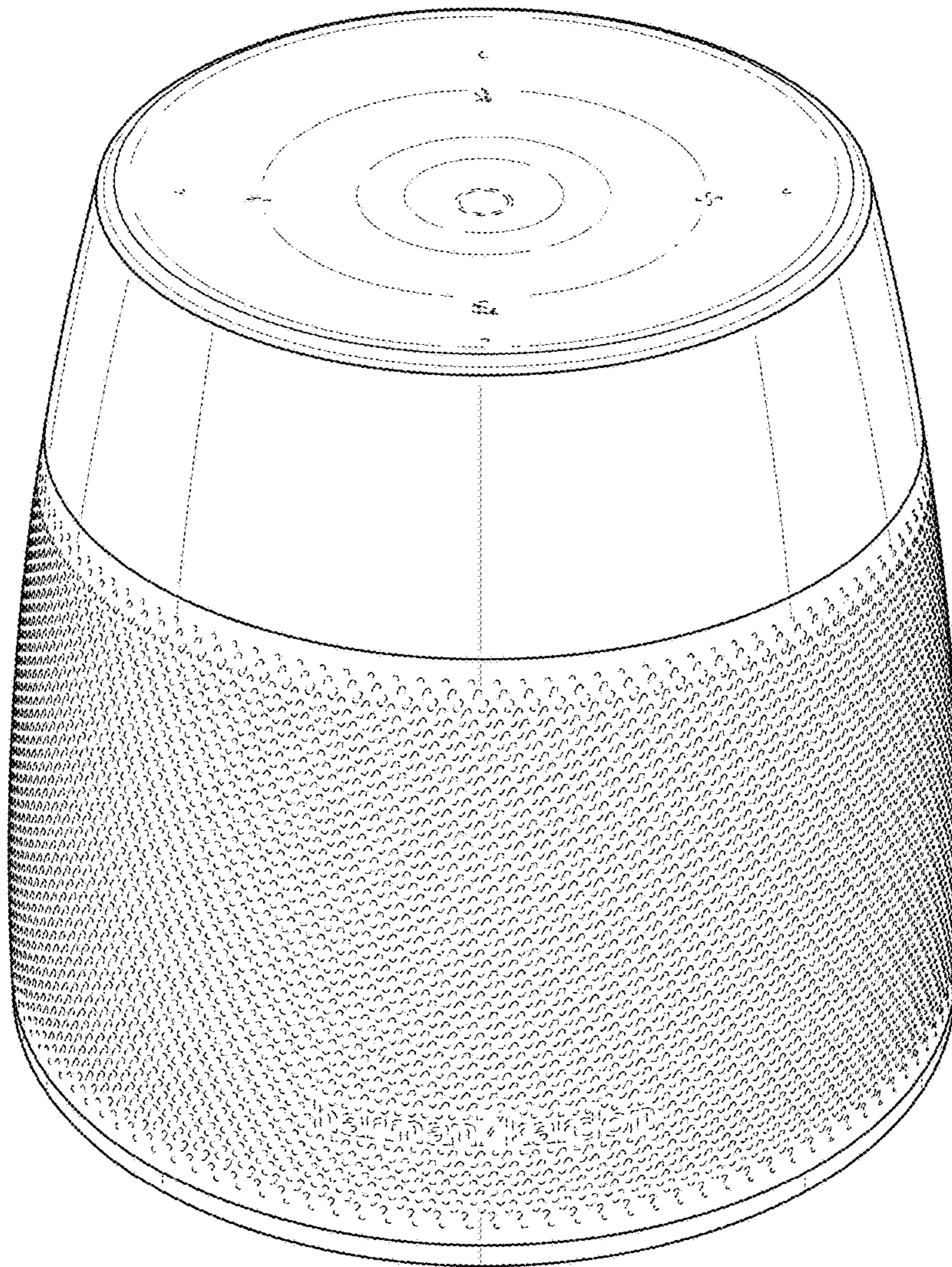
Harman Kardon Aura, online, post date Jul. 14, 2014, <URL: <https://www.pcmag.com/article2/0,2817,2460677,00.asp>>, retrieved Jul. 15, 2018.\*

Hands on: Harman Kardon Allure, online, post date Sep. 1, 2017, <URL: <https://www.techradar.com/reviews/harman-kardon-allure>>, retrieved Jul. 15, 2018.\*

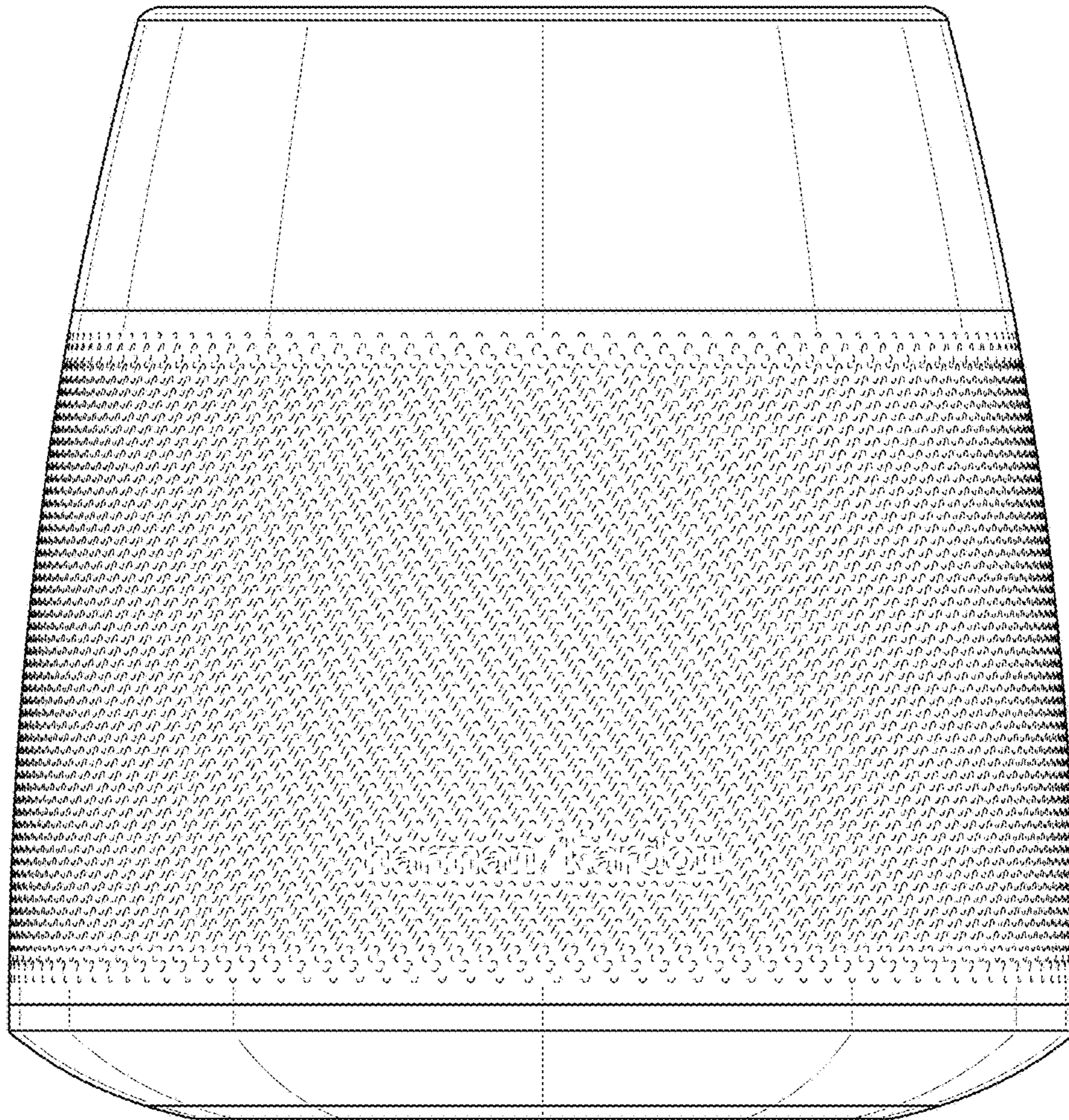
“Harman Kardon announces the exquisite Allure Portable smart speaker with Alexa,” Harman Kardon Allure Portable pictured therein, online, post date Jan. 8, 2018, <URL: [https://www.phonearena.com/news/Harman-Kardon-announces-the-exquisite-Allure-Portable-smart-speaker-with-Alexa\\_id101444](https://www.phonearena.com/news/Harman-Kardon-announces-the-exquisite-Allure-Portable-smart-speaker-with-Alexa_id101444)>, retrieved Jul. 16, 2018.\*

\* cited by examiner



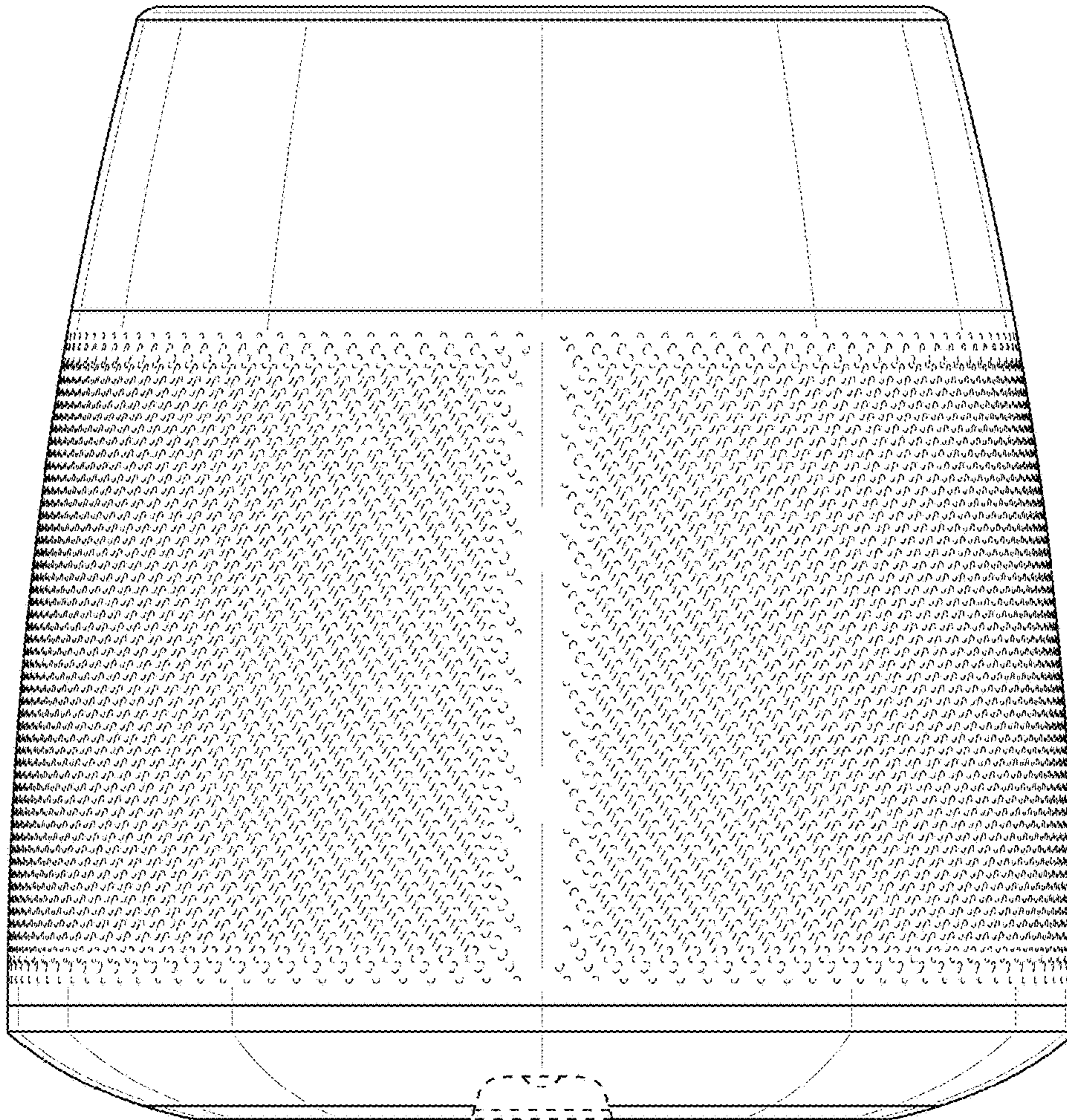


**FIG. 1**

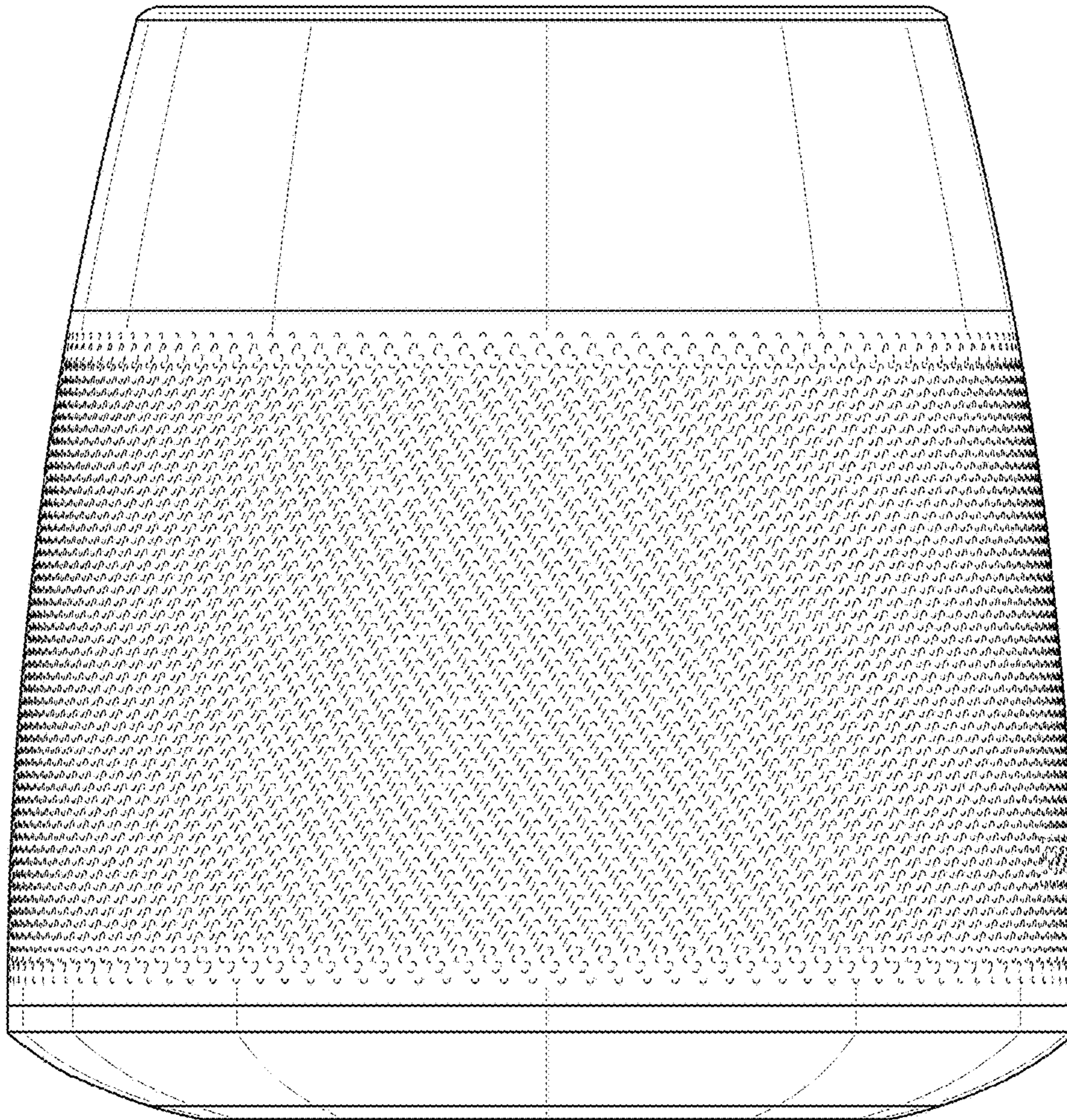


**FIG. 2**



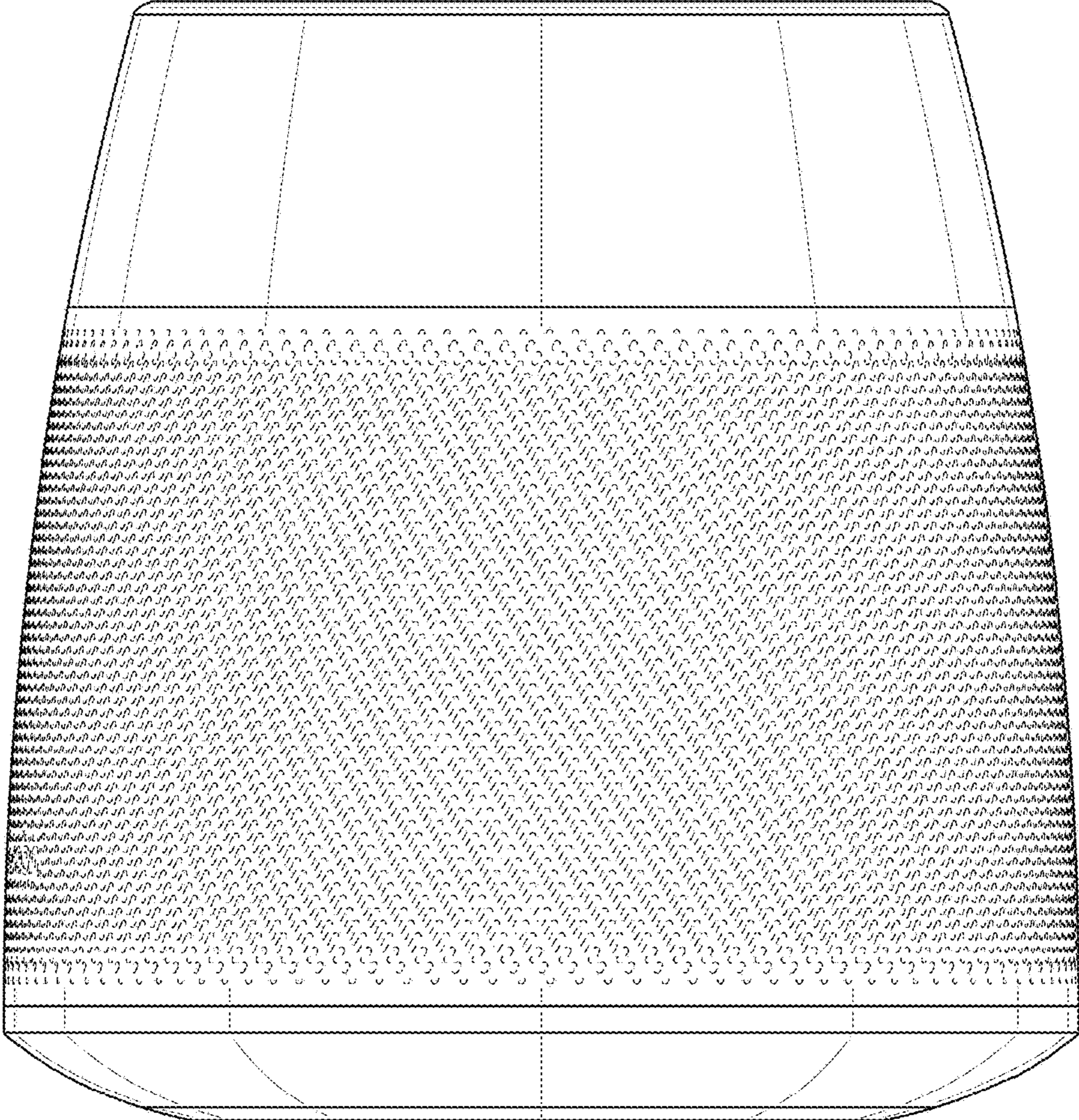


**FIG. 3**

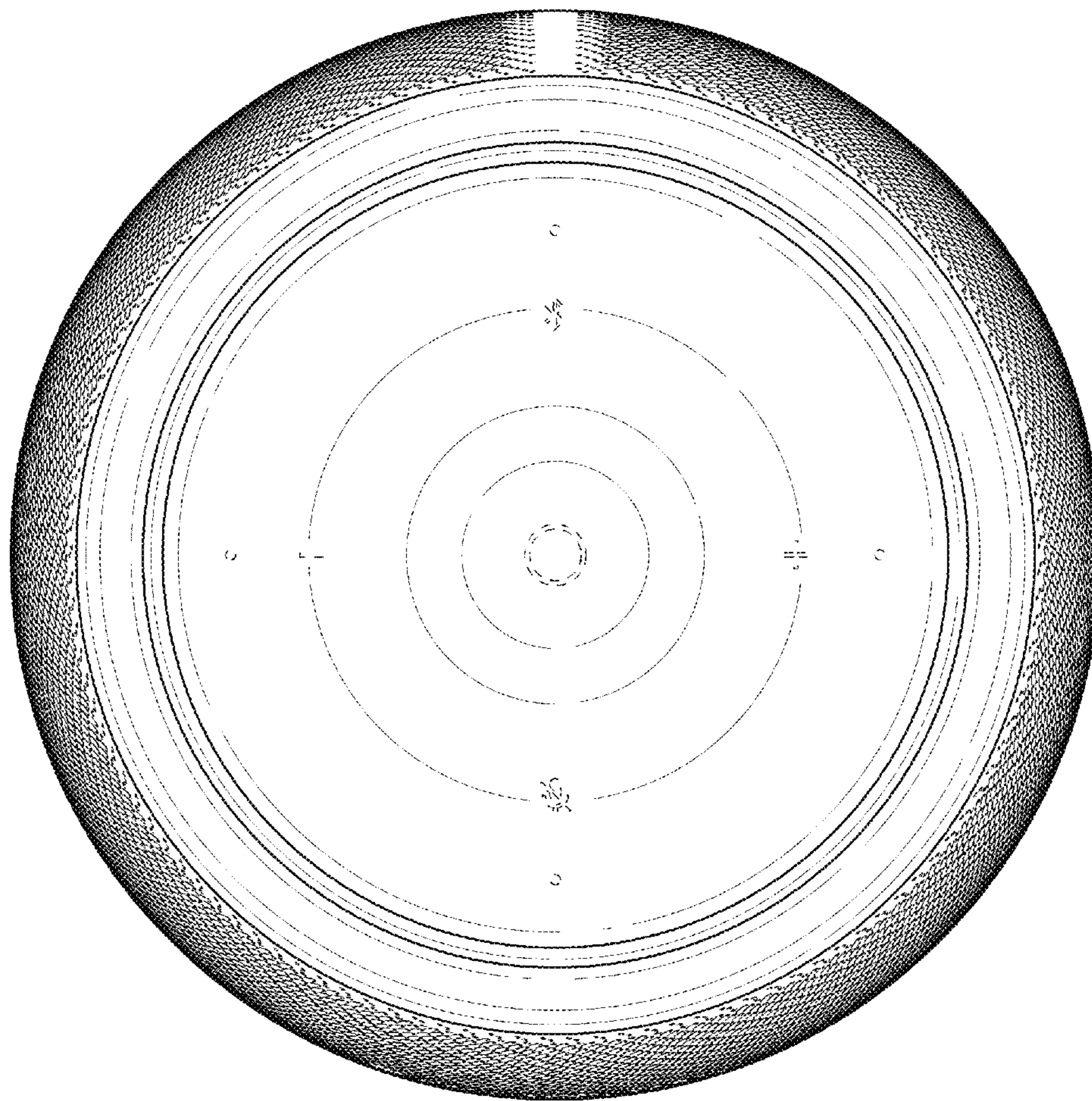


**FIG. 4**



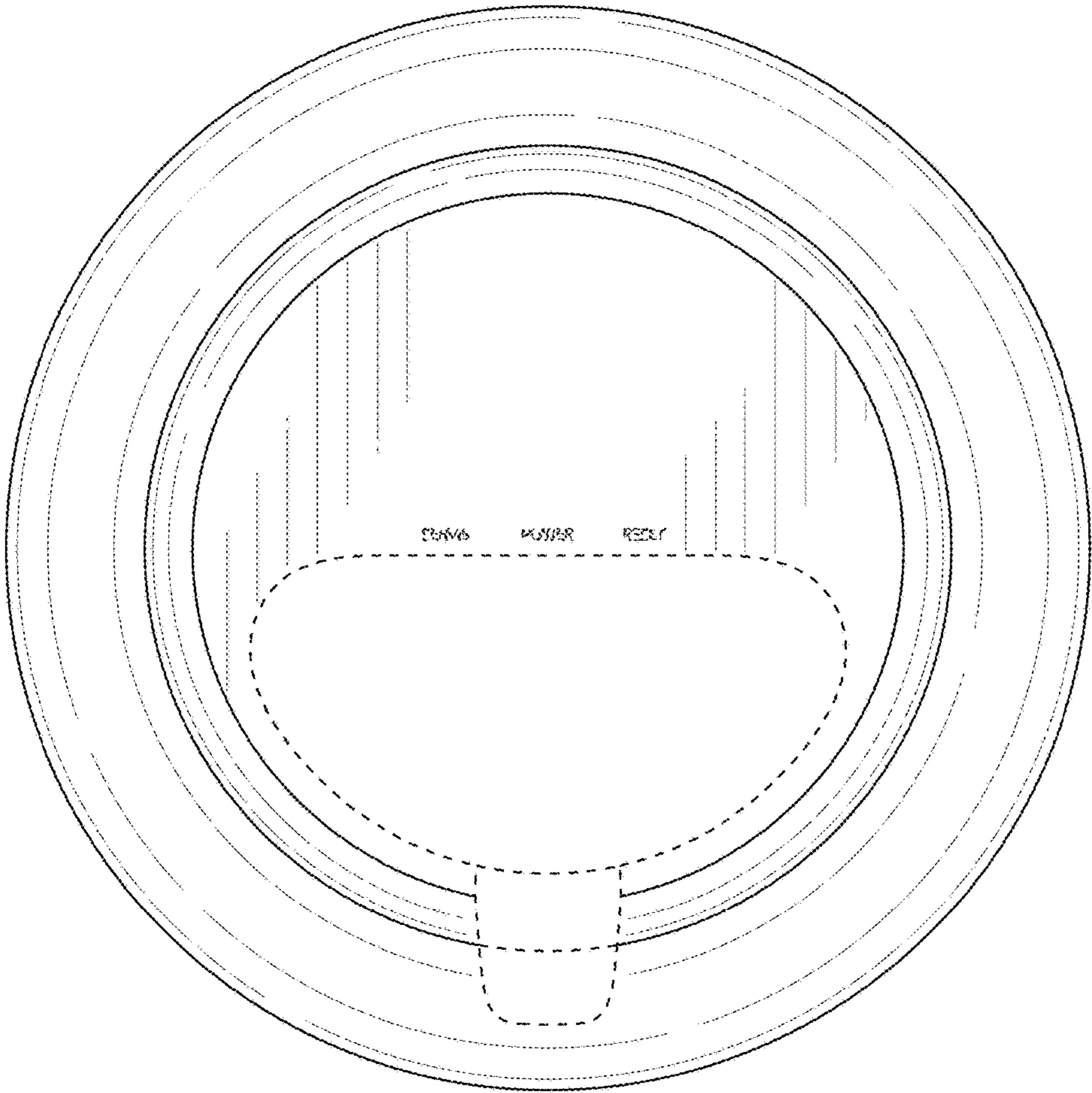


**FIG. 5**



**FIG. 6**





**FIG. 7**