



US00D843377S

(12) **United States Design Patent**  
**Tang**

(10) **Patent No.:** **US D843,377 S**

(45) **Date of Patent:** **\*\* Mar. 19, 2019**

(54) **CASE FOR ELECTRONIC DEVICE**

(71) Applicant: **Lihua Tang**, Yongzhou (CN)

(72) Inventor: **Lihua Tang**, Yongzhou (CN)

(\*\*) Term: **15 Years**

(21) Appl. No.: **29/632,324**

(22) Filed: **Jan. 5, 2018**

(51) **LOC (11) Cl.** ..... **14-02**

(52) **U.S. Cl.**  
USPC ..... **D14/440**

(58) **Field of Classification Search**  
USPC ..... D14/440; 206/45.23, 320, 45.2;  
361/679.55; 294/25; 224/218  
CPC ..... G06F 1/626; H04B 1/3555; H05K 5/0217  
See application file for complete search history.

(56) **References Cited**

**U.S. PATENT DOCUMENTS**

D689,056 S *	9/2013	Li	.....	D14/440
D690,704 S *	10/2013	Padilla	.....	D14/440
D727,917 S *	4/2015	Yeo	.....	D14/440
D733,154 S *	6/2015	Armstrong	.....	D14/440
D752,052 S *	3/2016	Park	.....	D14/440
D763,853 S *	8/2016	Pearce	.....	D14/440
D766,249 S *	9/2016	Veltz	.....	D14/440
D784,350 S *	4/2017	Li	.....	D14/440
D790,550 S *	6/2017	Chen	.....	D14/440
D803,221 S *	11/2017	Guo	.....	D14/440
D806,080 S *	12/2017	Chen	.....	D14/440
D807,366 S *	1/2018	Chen	.....	D14/440
D807,369 S *	1/2018	Chen	.....	D14/440

D808,973 S *	1/2018	Chen	.....	D14/440
D811,412 S *	2/2018	McCurdy	.....	D14/440
D812,620 S *	3/2018	Cheng	.....	D14/440
D821,405 S *	6/2018	Chen	.....	D14/440
2012/0075799 A1 *	3/2012	Pollex	.....	F16M 11/041 361/679.56
2017/0045920 A1 *	2/2017	Armstrong	.....	G06F 1/1669

\* cited by examiner

*Primary Examiner* — Cynthia R Underwood

(74) *Attorney, Agent, or Firm* — W&K IP

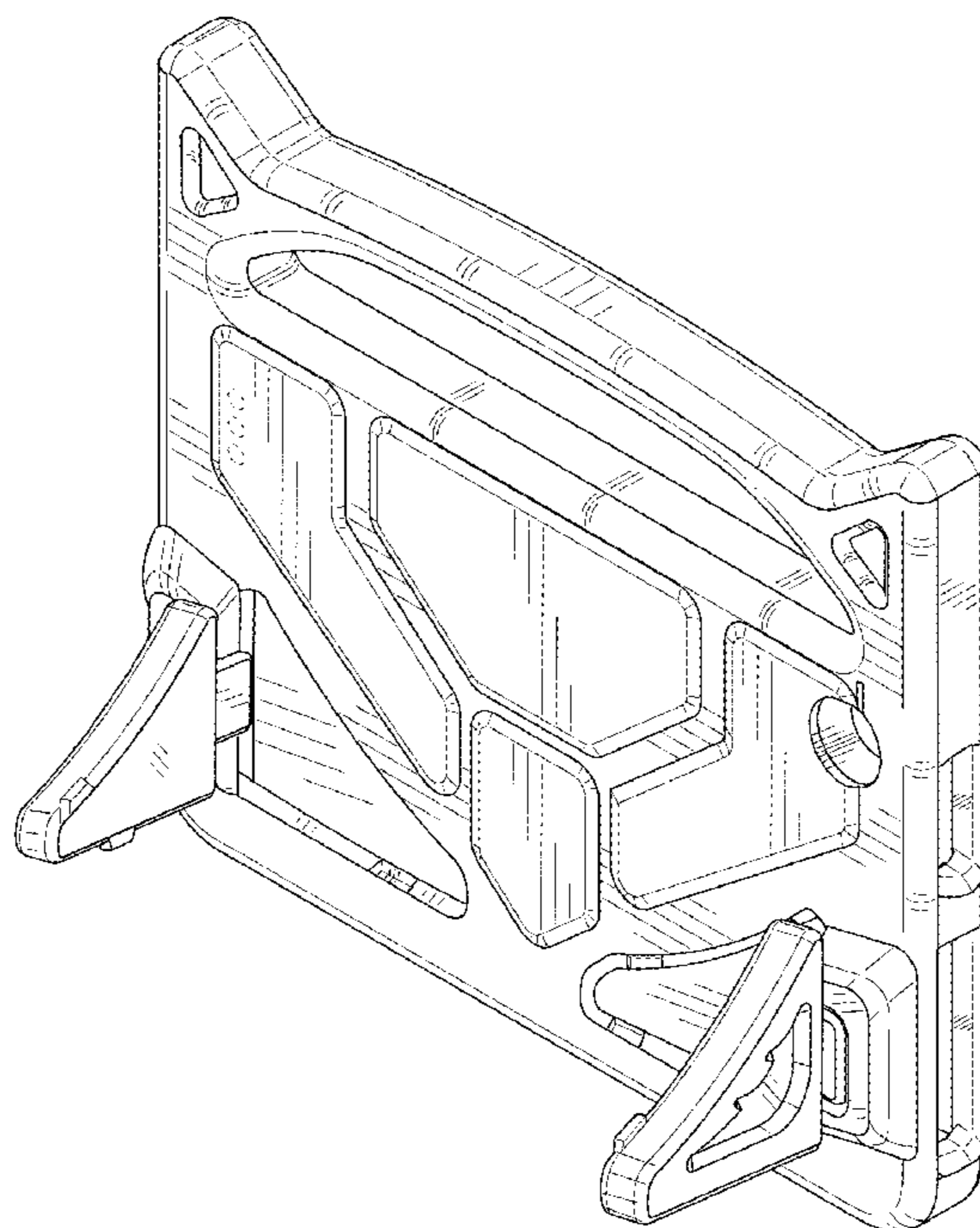
(57) **CLAIM**

The ornamental design for case for electronic device, as shown and described.

**DESCRIPTION**

FIG. 1 is a rear perspective view of a case for electronic device showing my new design;  
 FIG. 2 is a front view thereof;  
 FIG. 3 is a rear view thereof;  
 FIG. 4 is a left view thereof;  
 FIG. 5 is a right view thereof;  
 FIG. 6 is a top view thereof;  
 FIG. 7 is a bottom view thereof;  
 FIG. 8 is a front perspective view showing the case for electronic device in an open position thereof; and,  
 FIG. 9 is a rear perspective view showing the case for electronic device in an open position thereof.  
 The broken lines are for the purposes of illustrating portions of the case for electronic device and form no part of the claimed design.

**1 Claim, 7 Drawing Sheets**



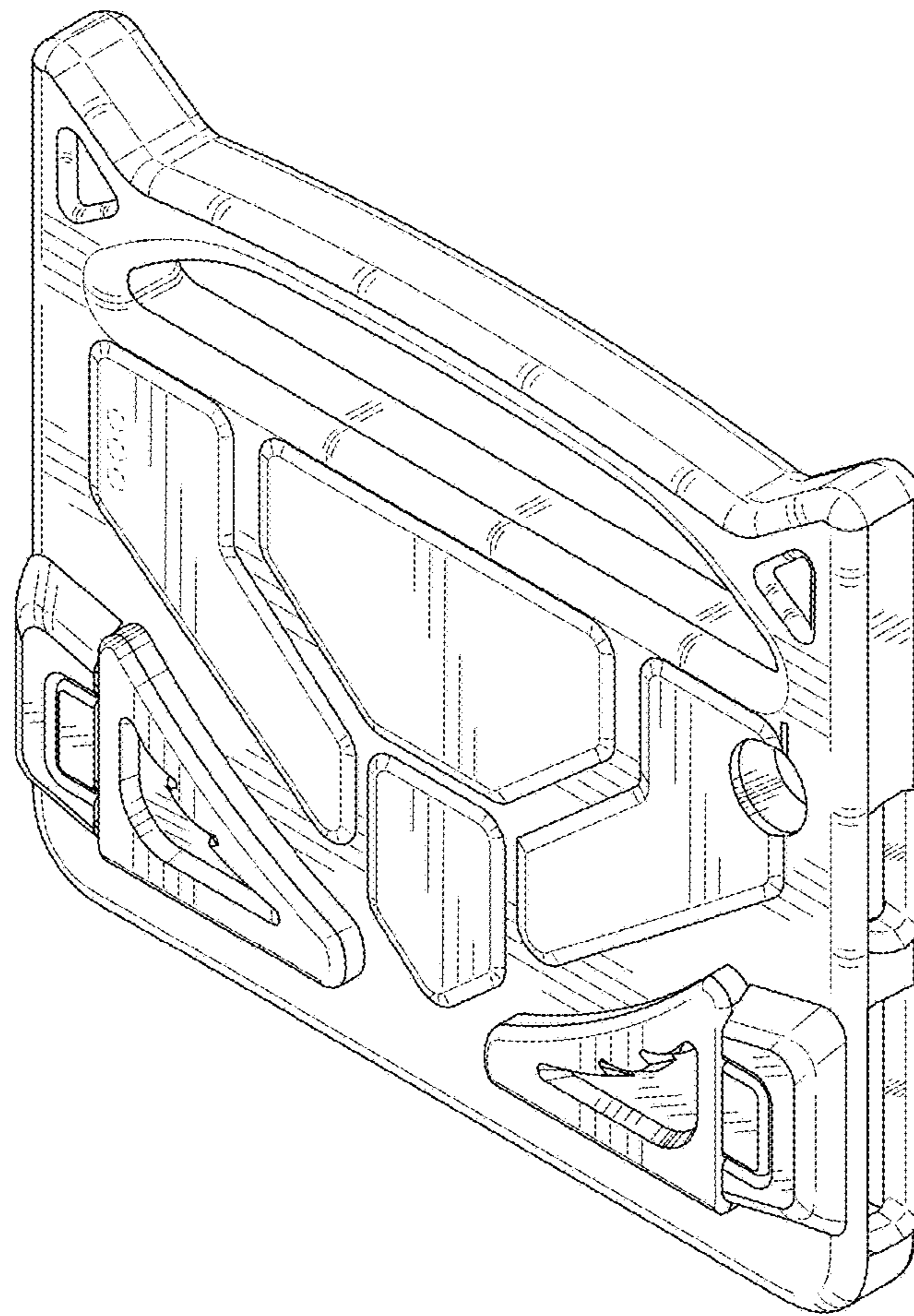


Fig. 1

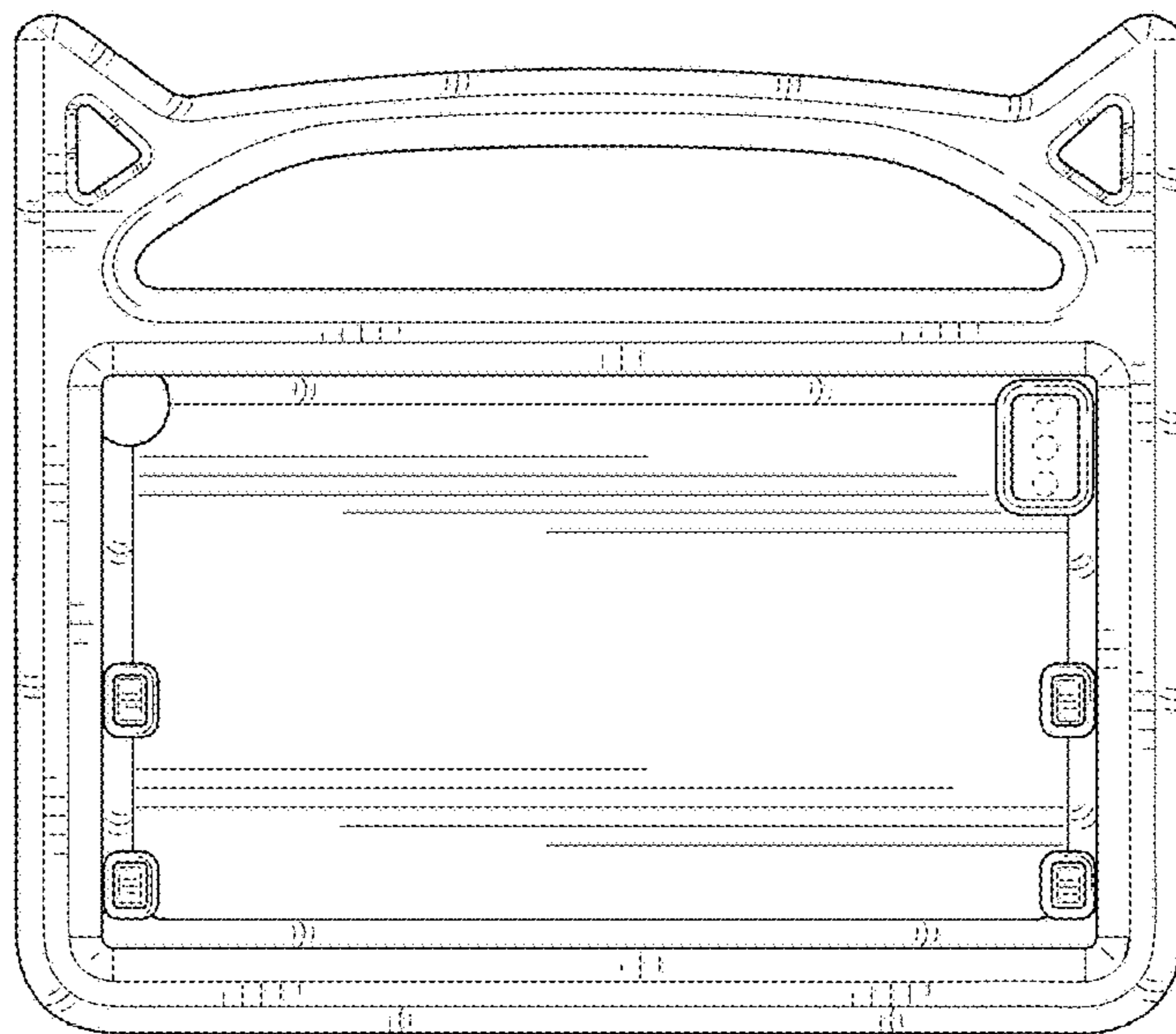


Fig. 2

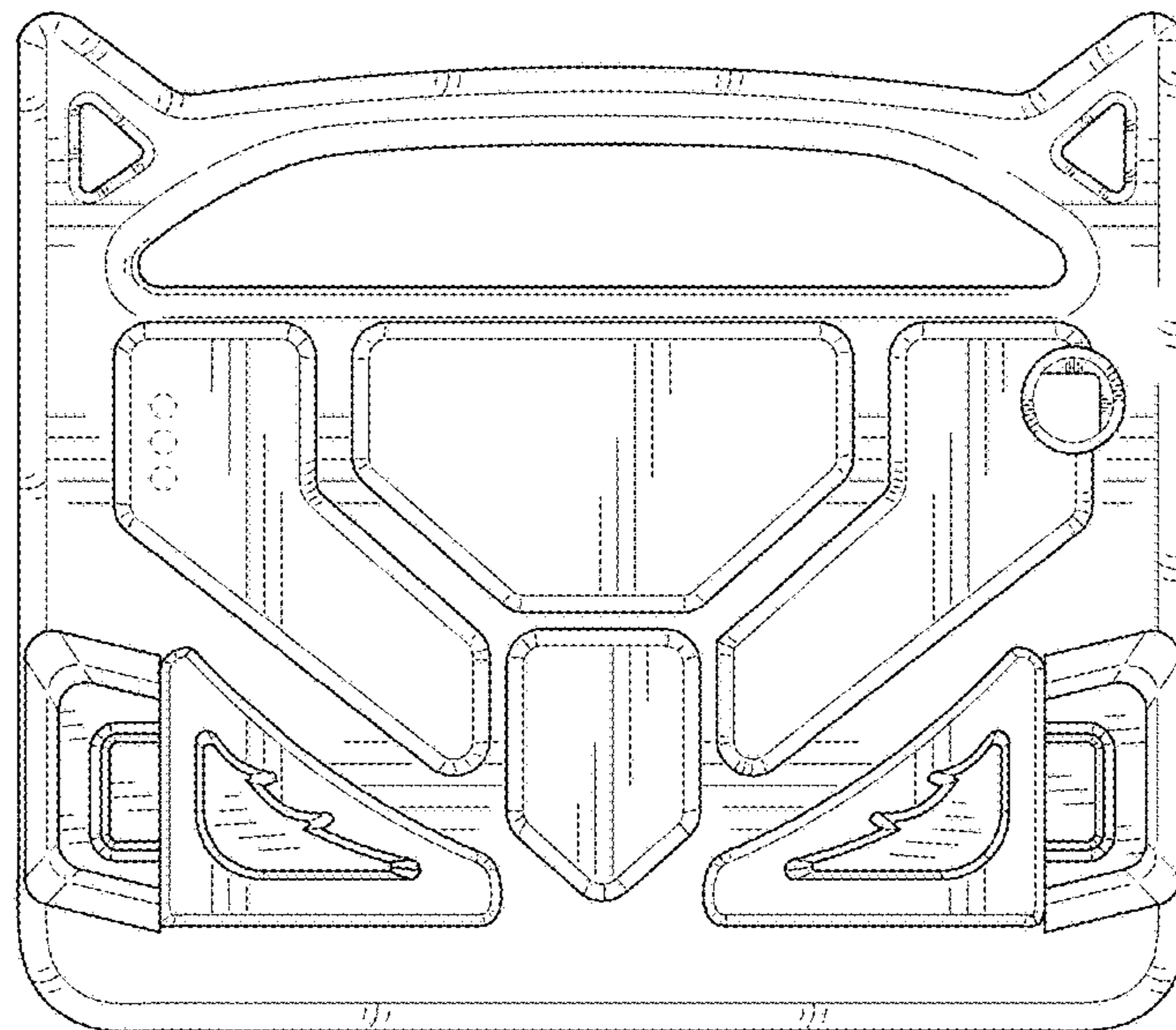


Fig. 3

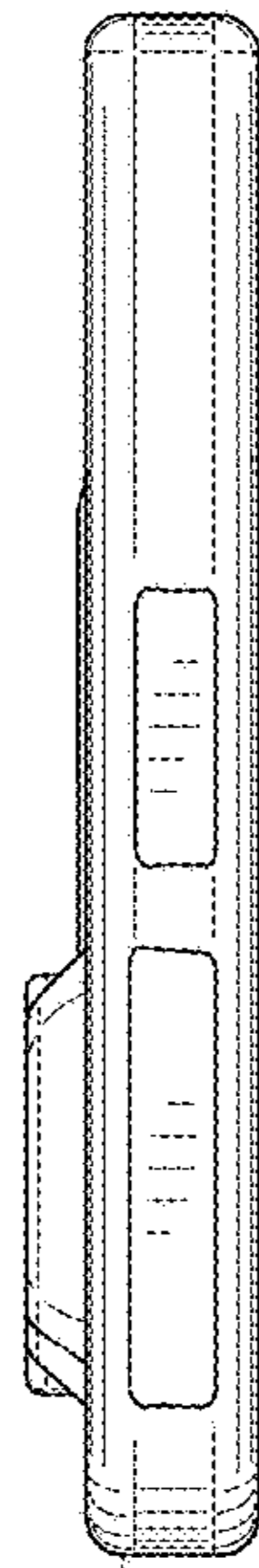


Fig. 4

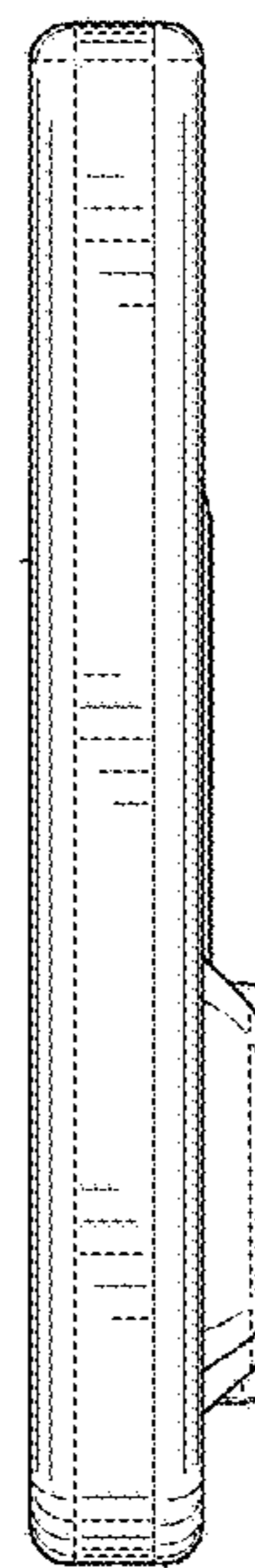
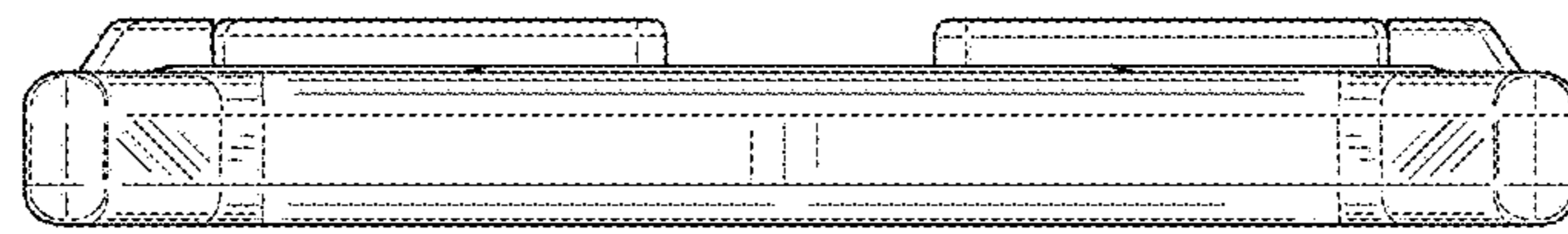
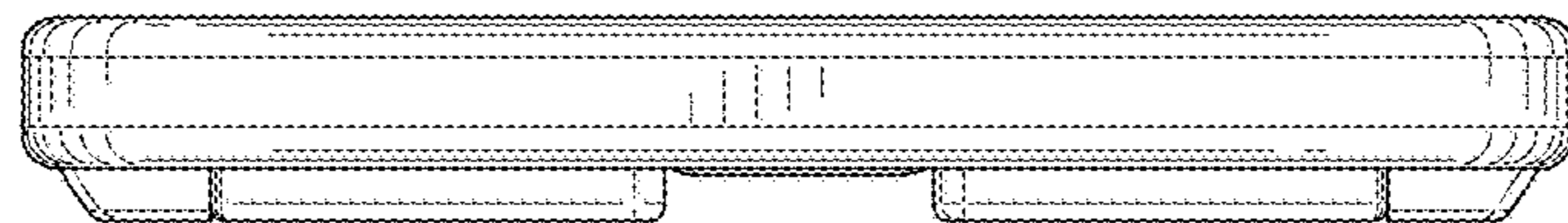


Fig. 5



**Fig. 6**



**Fig. 7**

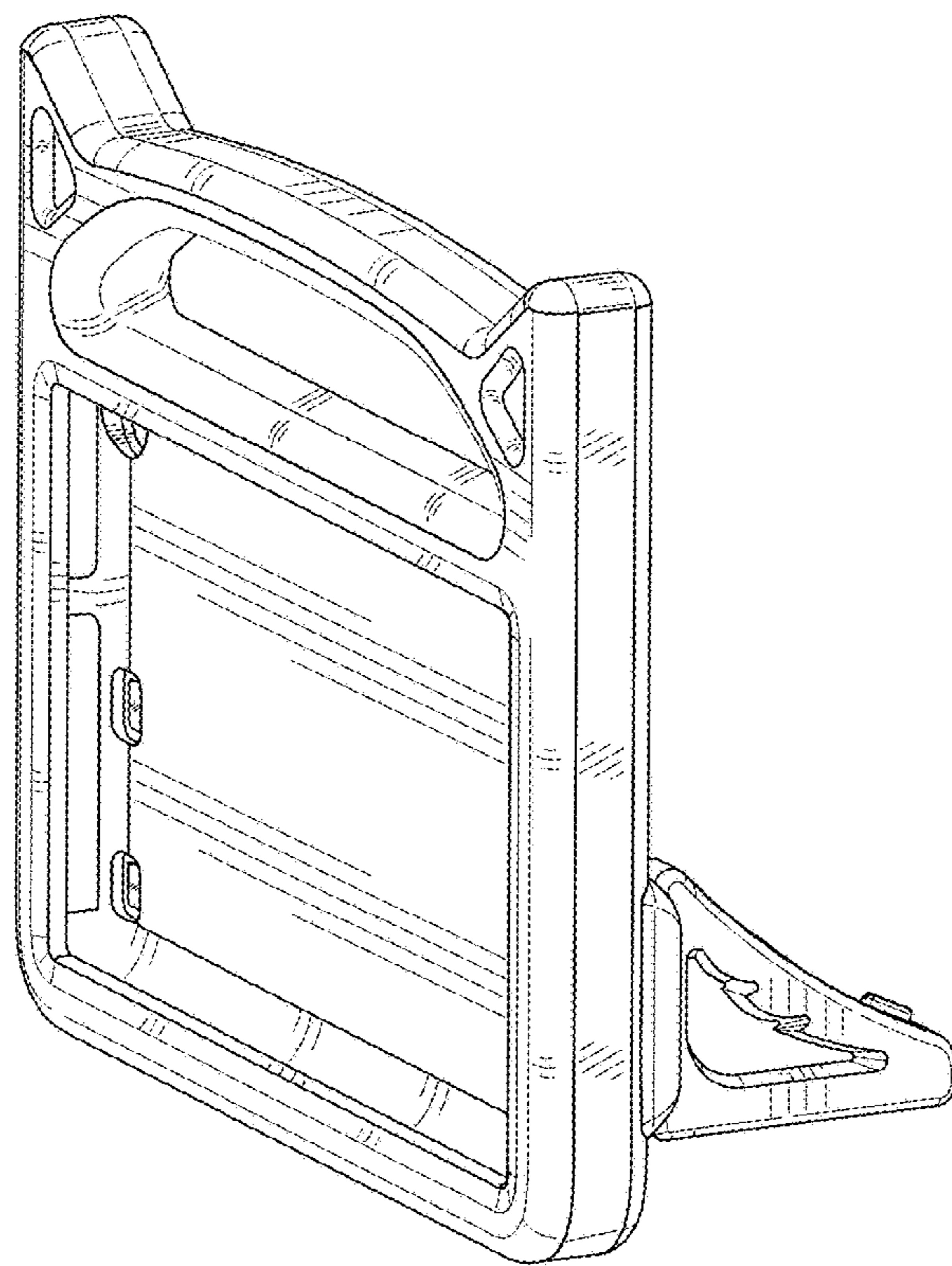


Fig. 8

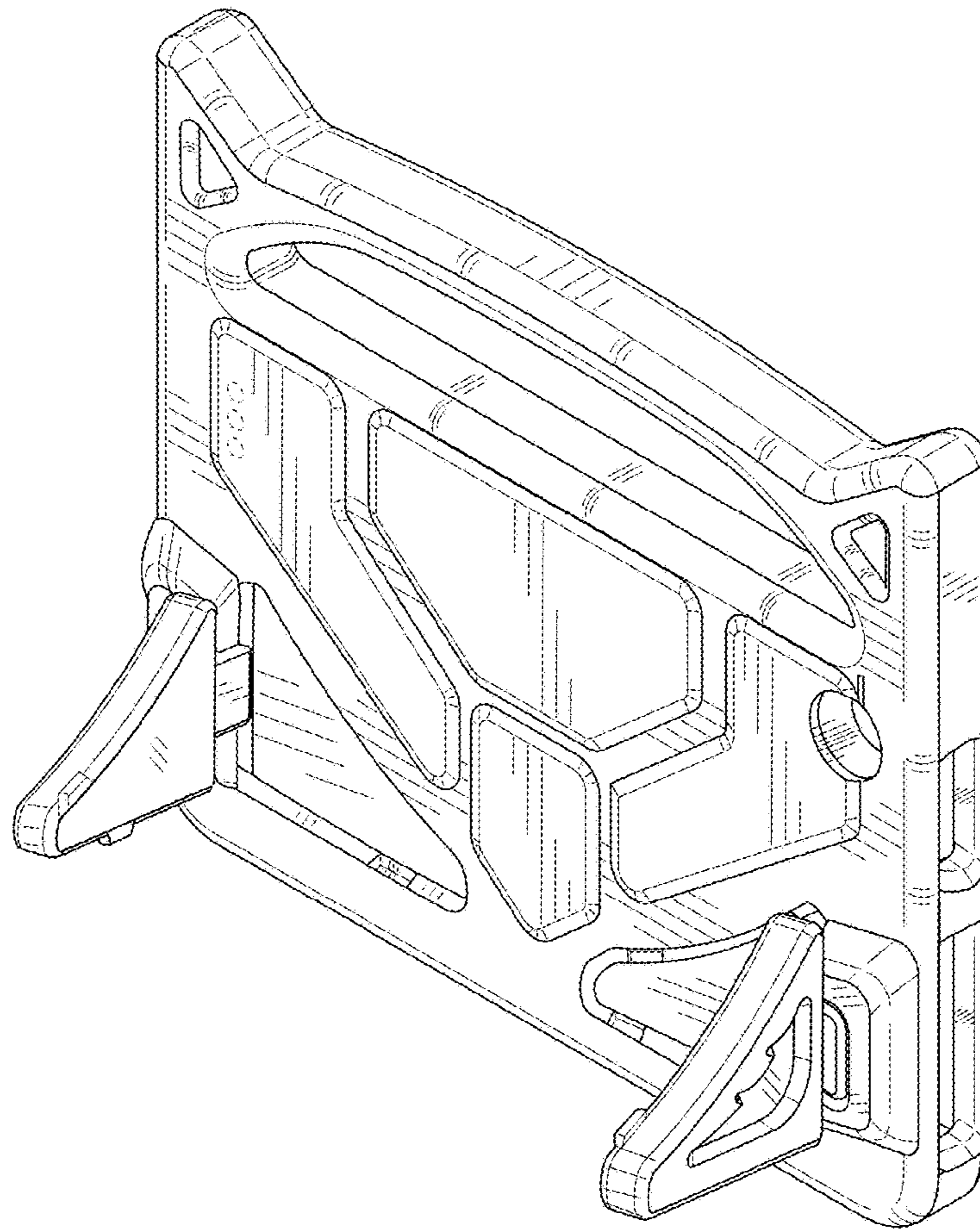


Fig. 9