



US00D843376S

(12) **United States Design Patent**
Grote

(10) **Patent No.:** **US D843,376 S**

(45) **Date of Patent:** **** Mar. 19, 2019**

(54) **ARM BAND CASE FOR PORTABLE ELECTRONIC DEVICE**

(71) Applicant: **GRIFFIN TECHNOLOGY, LLC**,
Irvine, CA (US)

(72) Inventor: **Paul S. Grote**, Old Hickory, TN (US)

(73) Assignee: **Griffin Technology, LLC**, Irvine, CA (US)

(**) Term: **15 Years**

(21) Appl. No.: **29/612,863**

(22) Filed: **Aug. 4, 2017**

Related U.S. Application Data

(63) Continuation of application No. 29/535,433, filed on Aug. 6, 2015, now Pat. No. Des. 796,516.

(51) **LOC (11) Cl.** **14-02**

(52) **U.S. Cl.**
USPC **D14/440**

(58) **Field of Classification Search**
USPC D14/440; 206/45.23, 320, 45.2;
361/679.55; 294/25; 224/218; D9/414;
D3/29; D11/3

CPC ... G06F 1/1667; G06F 1/1626; A47B 23/044;
H04B 1/3888; A45C 11/00

See application file for complete search history.

(56) **References Cited**

U.S. PATENT DOCUMENTS

- D531,524 S * 11/2006 Behling D10/38
- D564,367 S * 3/2008 Molyneux D10/31
- D638,324 S * 5/2011 Tang D10/128
- D647,107 S * 10/2011 Akana D14/203.3
- D656,135 S * 3/2012 Swartz D14/238.1
- 8,256,612 B1 * 9/2012 Wang A45C 11/00
206/320
- D671,930 S * 12/2012 Akana D14/250

- D674,789 S * 1/2013 Wen D14/250
- D678,262 S * 3/2013 Prato D14/250
- D681,483 S * 5/2013 Biegert D10/38
- D688,582 S * 8/2013 Wilson D10/128
- D688,967 S * 9/2013 Wilson D10/128
- 8,523,124 B2 * 9/2013 Yuan F16M 11/10
248/188.8
- D693,709 S * 11/2013 Lee D10/65
- D703,649 S * 4/2014 Wikel D14/250
- D714,295 S * 9/2014 Fujioka D14/440
- D716,312 S * 10/2014 Fujioka D14/440
- D723,016 S * 2/2015 Lee D14/250
- D725,533 S * 3/2015 Riddiford D11/3
- D726,056 S * 4/2015 Riddiford D11/3
- D728,549 S * 5/2015 Su D14/250
- D730,225 S * 5/2015 Behar D10/103

(Continued)

Primary Examiner — Cynthia R Underwood

(74) *Attorney, Agent, or Firm* — Manatt, Phelps & Phillips, LLP

(57) **CLAIM**

I claim the ornamental design for an arm band case for portable electronic device, as shown and described.

DESCRIPTION

FIG. 1 is an enlarged front perspective view of an arm band case.

FIG. 2 is an enlarged rear perspective view of the arm band case.

FIG. 3 is a front view of the arm band case.

FIG. 4 is a bottom view of the arm band case.

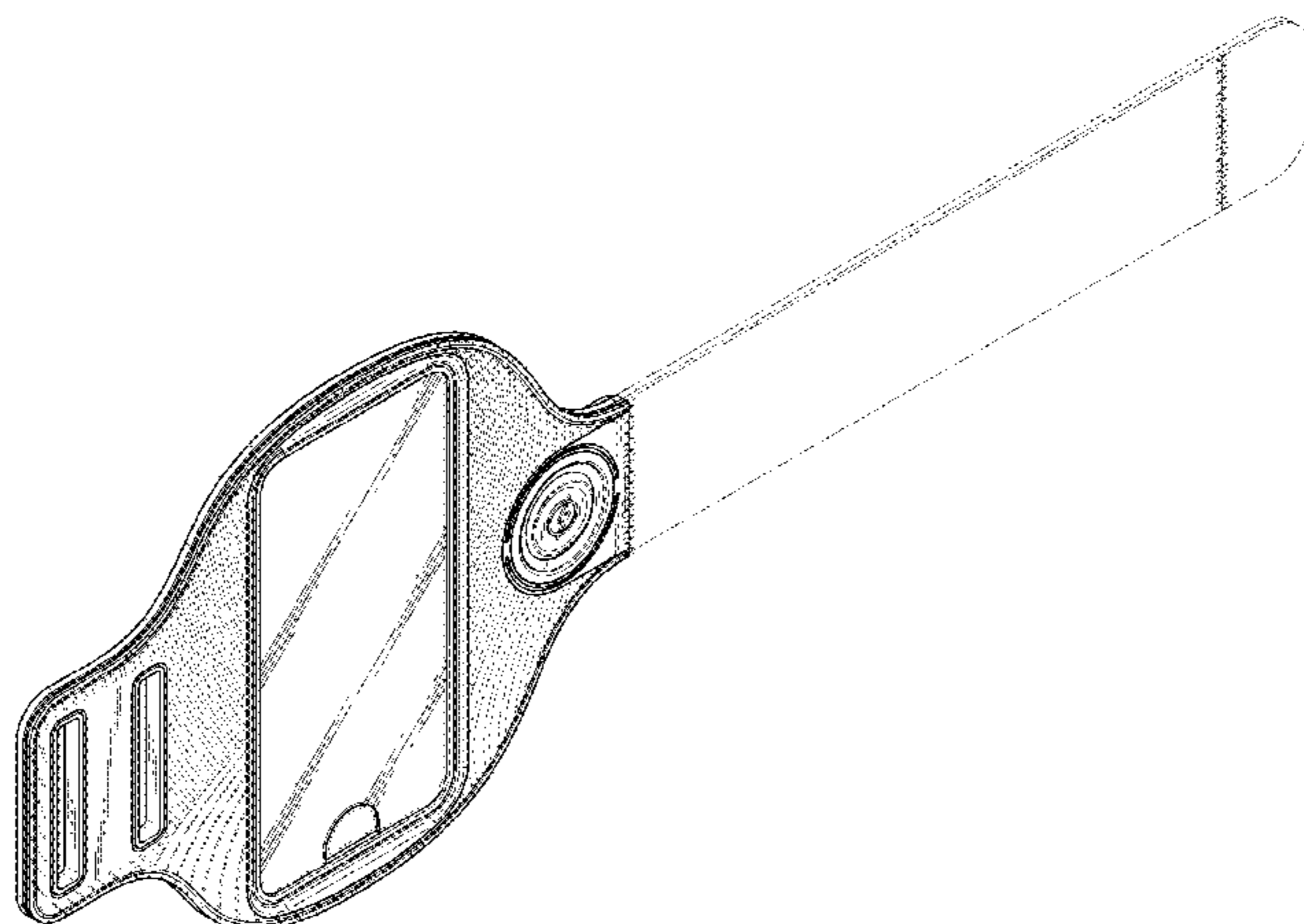
FIG. 5 is a top view of the arm band case.

FIG. 6 is a left side view of the arm band case, the right side view being a mirror image thereof; and,

FIG. 7 is a rear view of the arm band case.

The broken lines depict environment and form no part of the claim.

1 Claim, 3 Drawing Sheets



(56)

References Cited

U.S. PATENT DOCUMENTS

D735,198	S	*	7/2015	Song	D14/432
D735,199	S	*	7/2015	Song	D14/432
D735,200	S	*	7/2015	Song	D14/432
D735,586	S	*	8/2015	Stegmann	D10/30
D735,724	S	*	8/2015	Song	D14/432
D736,103	S	*	8/2015	Behling	D10/30
D751,067	S	*	3/2016	Nousiainen	D10/38
D751,558	S	*	3/2016	Lee	D10/103
D752,044	S	*	3/2016	Akana	D14/344
D754,133	S	*	4/2016	Chen	D14/440
D761,263	S	*	7/2016	Brinkman	D14/440
D766,904	S	*	9/2016	Jung	D14/440
D766,905	S	*	9/2016	Lee	D14/440
D766,906	S	*	9/2016	Kim	D14/440
D767,573	S	*	9/2016	Kim	D14/440
D769,879	S	*	10/2016	Kim	D14/440
D827,261	S	*	9/2018	Powell	D2/946
2010/0061191	A1	*	3/2010	Chen	A44C 5/0069 368/109
2011/0297578	A1	*	12/2011	Stiehl	B29C 45/1676 206/701
2012/0043236	A1	*	2/2012	Szucs	A45C 11/00 206/320
2012/0182678	A1	*	7/2012	Wu	A45F 5/10 361/679.01
2012/0257340	A1	*	10/2012	Kim	H04B 1/3888 361/679.01
2013/0222139	A1	*	8/2013	Gouge	A61B 5/01 340/573.1

* cited by examiner

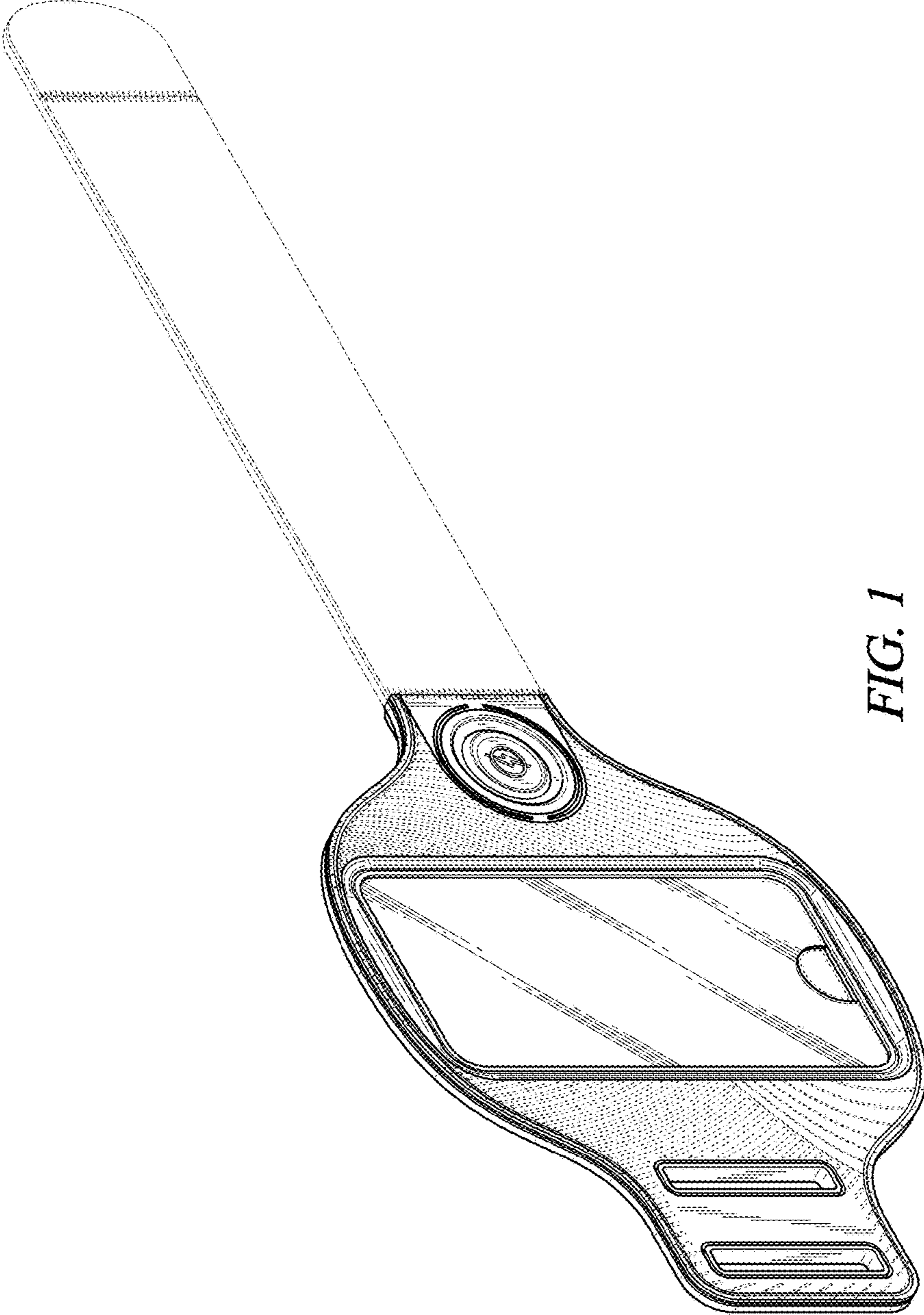


FIG. 1

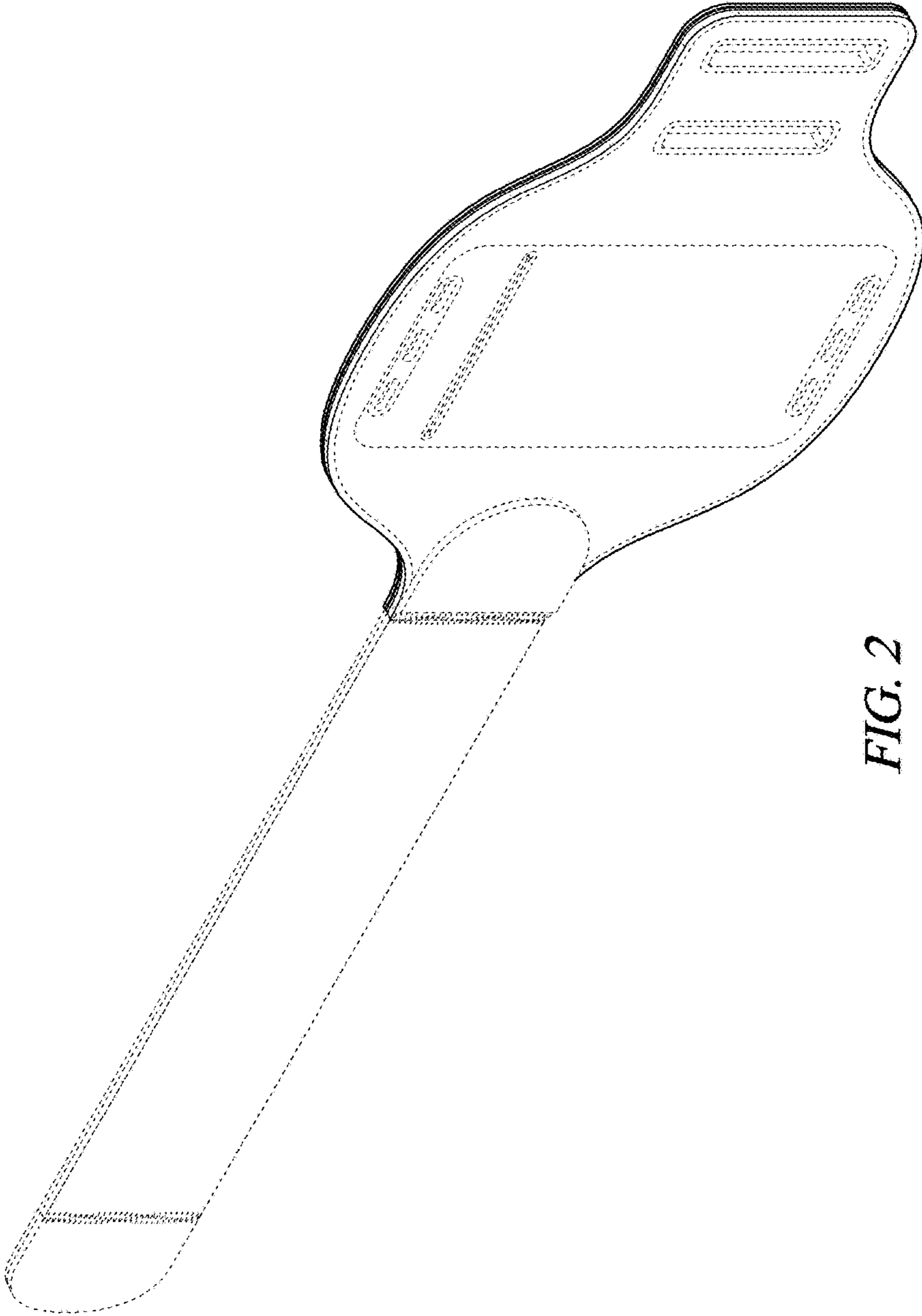


FIG. 2

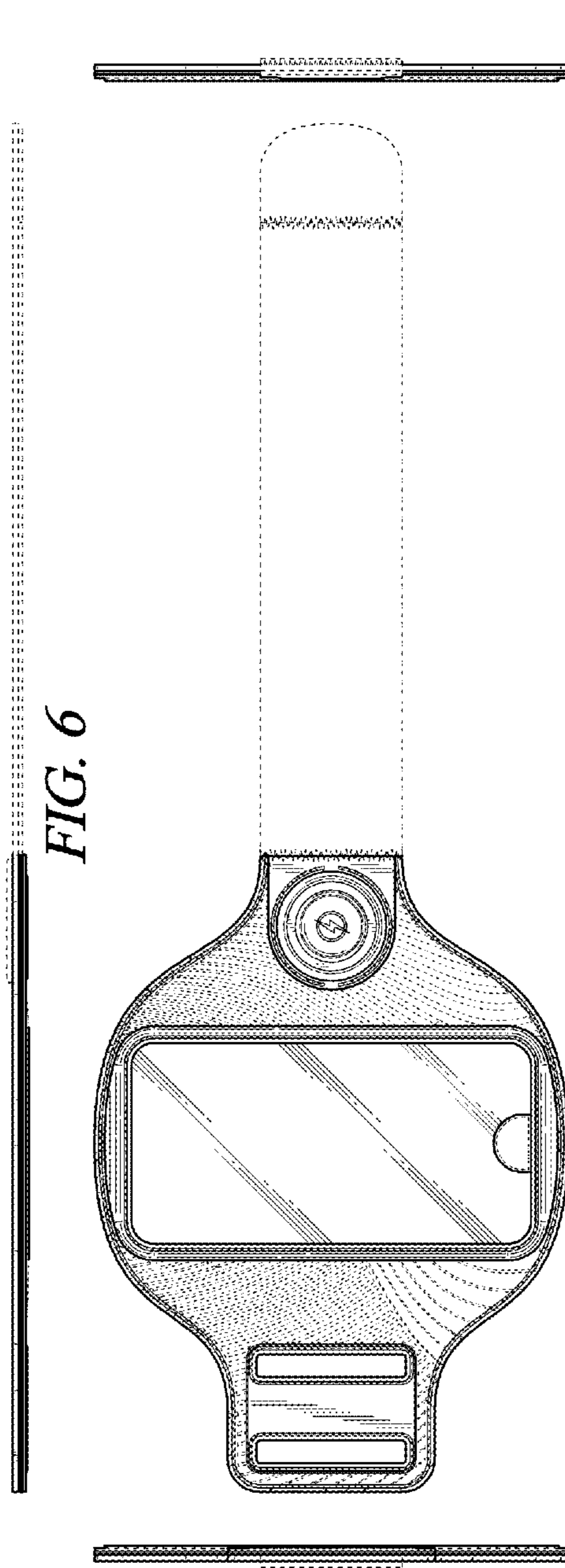


FIG. 3

FIG. 4

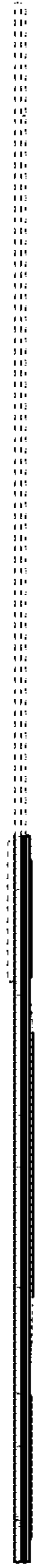


FIG. 5

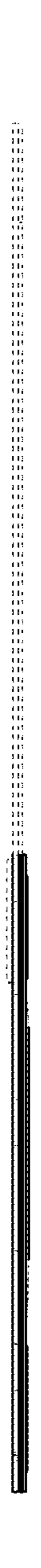


FIG. 6

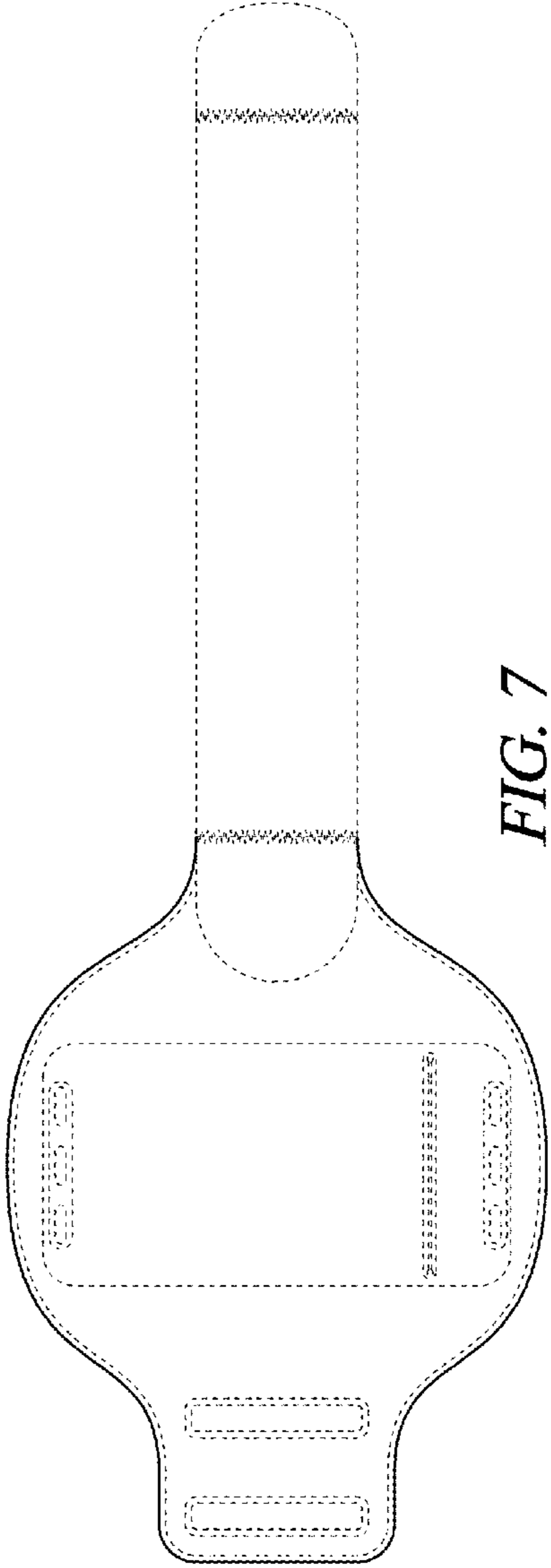


FIG. 7