



US00D843375S

(12) **United States Design Patent** (10) **Patent No.:** **US D843,375 S**
Claudepierre et al. (45) **Date of Patent:** **** Mar. 19, 2019**

- (54) **CABLE**
- (71) Applicant: **Google LLC**, Mountain View, CA (US)
- (72) Inventors: **Vincent Claudepierre**, San Francisco, CA (US); **Yoshimichi Matsuoka**, Sunnyvale, CA (US); **Sungyun Kim**, Sunnyvale, CA (US)
- (73) Assignee: **Google LLC**, Mountain View, CA (US)
- (**) Term: **15 Years**
- (21) Appl. No.: **29/619,750**
- (22) Filed: **Oct. 2, 2017**
- (51) **LOC (11) Cl.** **14-02**
- (52) **U.S. Cl.**
USPC **D14/433**
- (58) **Field of Classification Search**
USPC D14/240, 242, 356, 358, 363, 365, 367, D14/370, 432-437, 439, 498, 125, 366, D14/168, 496; D13/147, 164, 123, 133, D13/146, 110, 199, 103, 162, 159, 160, D13/184; 361/683, 684, 686, 724, 735, 361/737, 752; D18/40
CPC H01R 25/006; H01R 27/02; H01R 31/005; G06F 13/4022; G06F 13/382; G06F 1/1632; G06F 1/1684; G06F 1/20; G06F 1/1607
See application file for complete search history.

(56) **References Cited**

U.S. PATENT DOCUMENTS

D381,629 S *	7/1997	Goto	D13/147
D425,860 S	5/2000	Goto		
D549,660 S *	8/2007	Zenri	D13/147
D585,835 S *	2/2009	Jaqua	D13/147
D620,482 S *	7/2010	Chen	D14/225
D636,337 S *	4/2011	Smith	D13/147
D692,390 S *	10/2013	Smith	D13/133

D701,172 S *	3/2014	Evers	D13/147
D716,235 S *	10/2014	Tien	D13/147
D731,488 S *	6/2015	Lee	D14/433
D733,142 S *	6/2015	Solomon	D14/433
D734,272 S *	7/2015	Dang	D13/153
D738,312 S *	9/2015	Bress	D13/147
D743,965 S *	11/2015	Laffon de Mazieres	D13/154
D746,291 S *	12/2015	Solomon	D14/433
D760,720 S *	7/2016	Laffon de Mazieres	D14/433
D761,262 S *	7/2016	Solomon	D14/433
D779,492 S *	2/2017	Lin	D14/433

(Continued)

Primary Examiner — Austin Murphy

(74) *Attorney, Agent, or Firm* — Finnegan, Henderson, Farabow, Garrett & Dunner LLP

(57) **CLAIM**

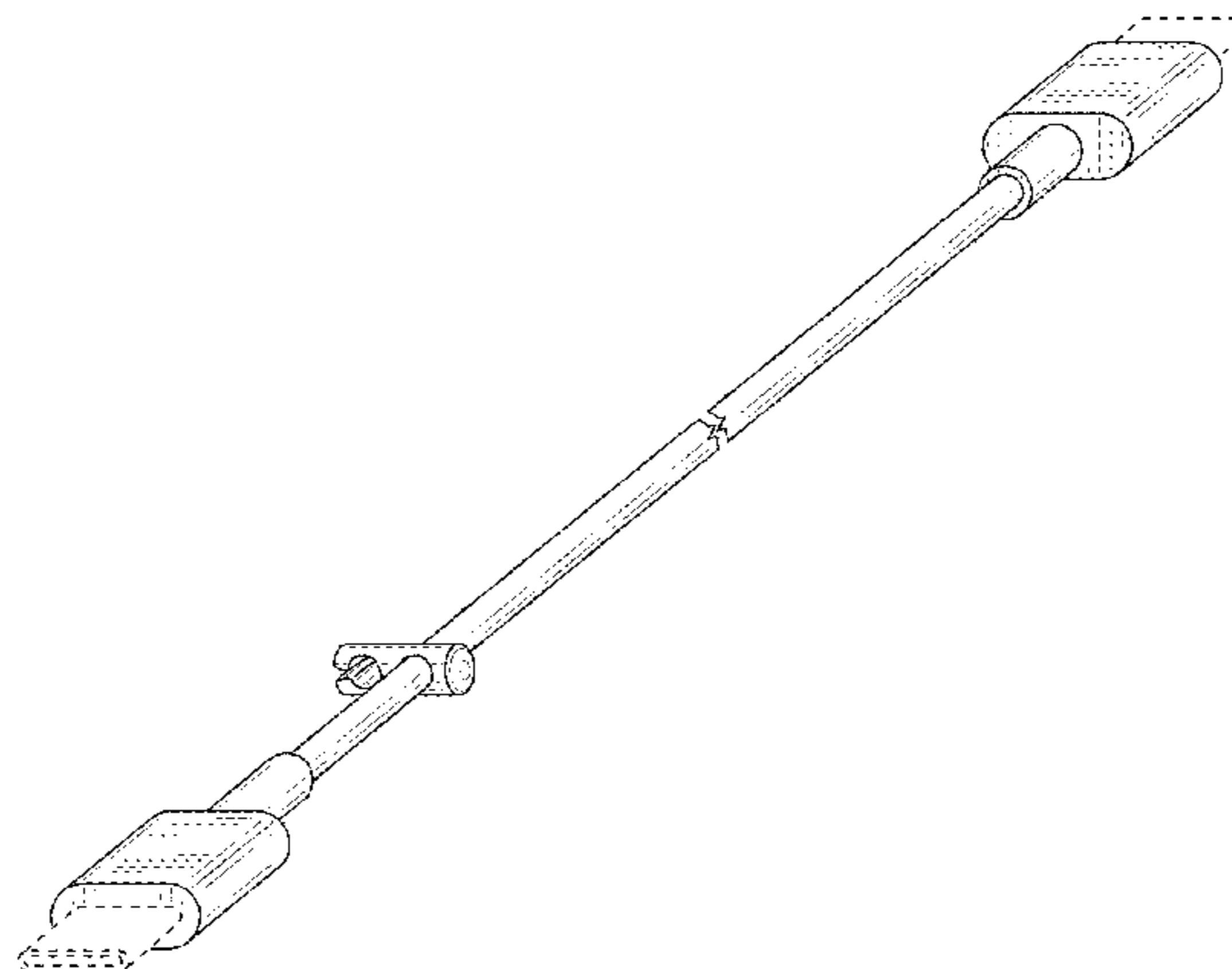
The ornamental design for a cable, as shown and described.

DESCRIPTION

FIG. 1 is a right perspective view of a cable showing our new design, wherein the break lines indicate indeterminate length;
 FIG. 2 is a left perspective view of a cable showing our new design, wherein the break lines indicate indeterminate length;
 FIG. 3 is a top plan view thereof, wherein the break lines indicate indeterminate length;
 FIG. 4 is a bottom plan view thereof, wherein the break lines indicate indeterminate length;
 FIG. 5 is a right side elevation view thereof, wherein the break lines indicate indeterminate length;
 FIG. 6 is a left side elevation view thereof, wherein the break lines indicate indeterminate length;
 FIG. 7 is a front elevation view thereof; and,
 FIG. 8 is a rear elevation view thereof.

The elements depicted in broken lines are not part of the claimed design. The appearance of any portion of the article between the break lines forms no part of the claimed design.

1 Claim, 8 Drawing Sheets



(56)

References Cited

U.S. PATENT DOCUMENTS

D794,567 S *	8/2017	Fries	D13/133
D795,816 S *	8/2017	He	D13/153
D800,731 S *	10/2017	He	D14/433
D804,291 S *	12/2017	Fawcett	D8/356
D810,748 S *	2/2018	Zhang	D14/433
D810,749 S *	2/2018	Zhang	D14/433
D823,261 S *	7/2018	Ugglä	D13/153
D823,812 S *	7/2018	Hsieh	D13/153
D824,388 S *	7/2018	Fawcett	D14/433

* cited by examiner

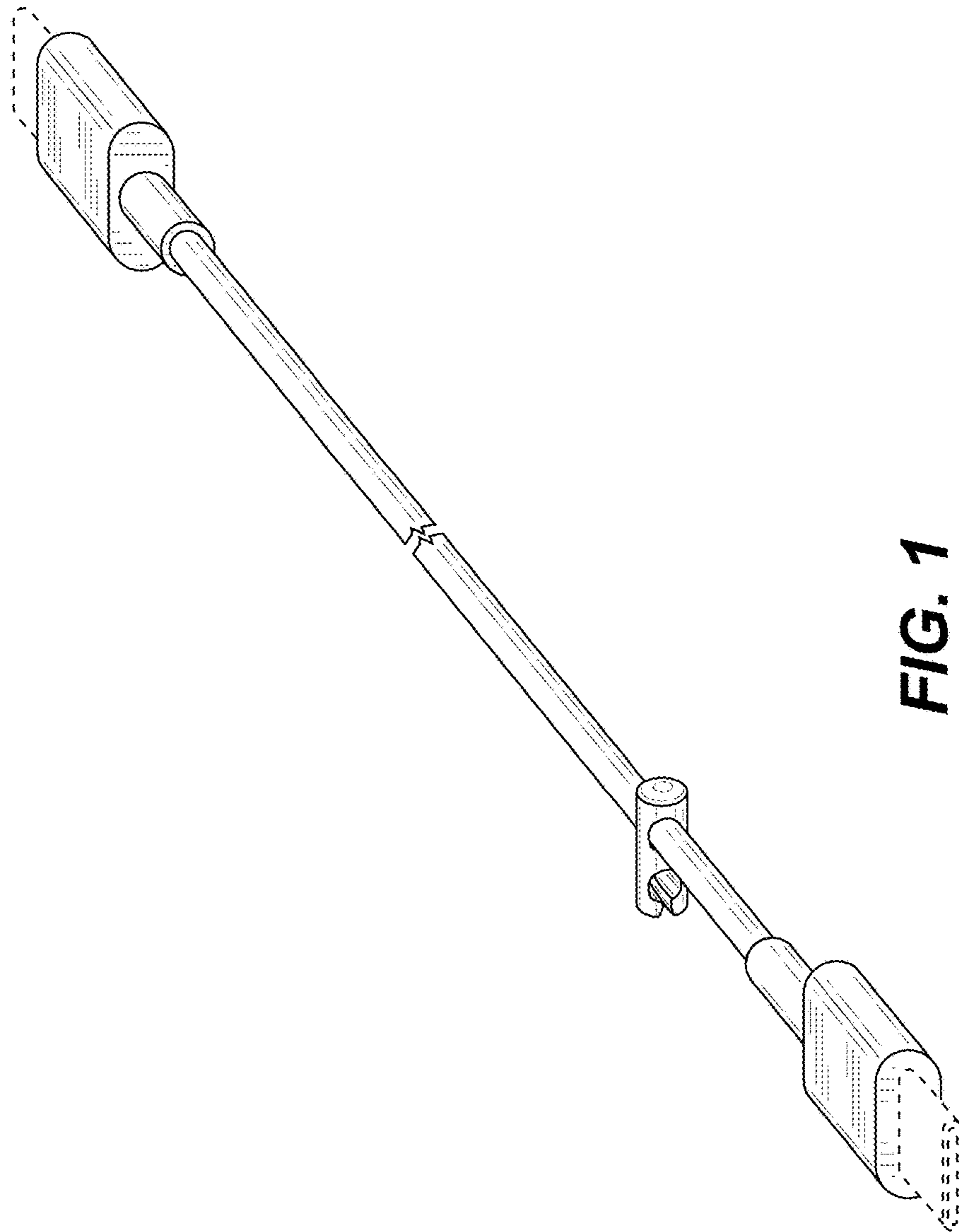


FIG. 1

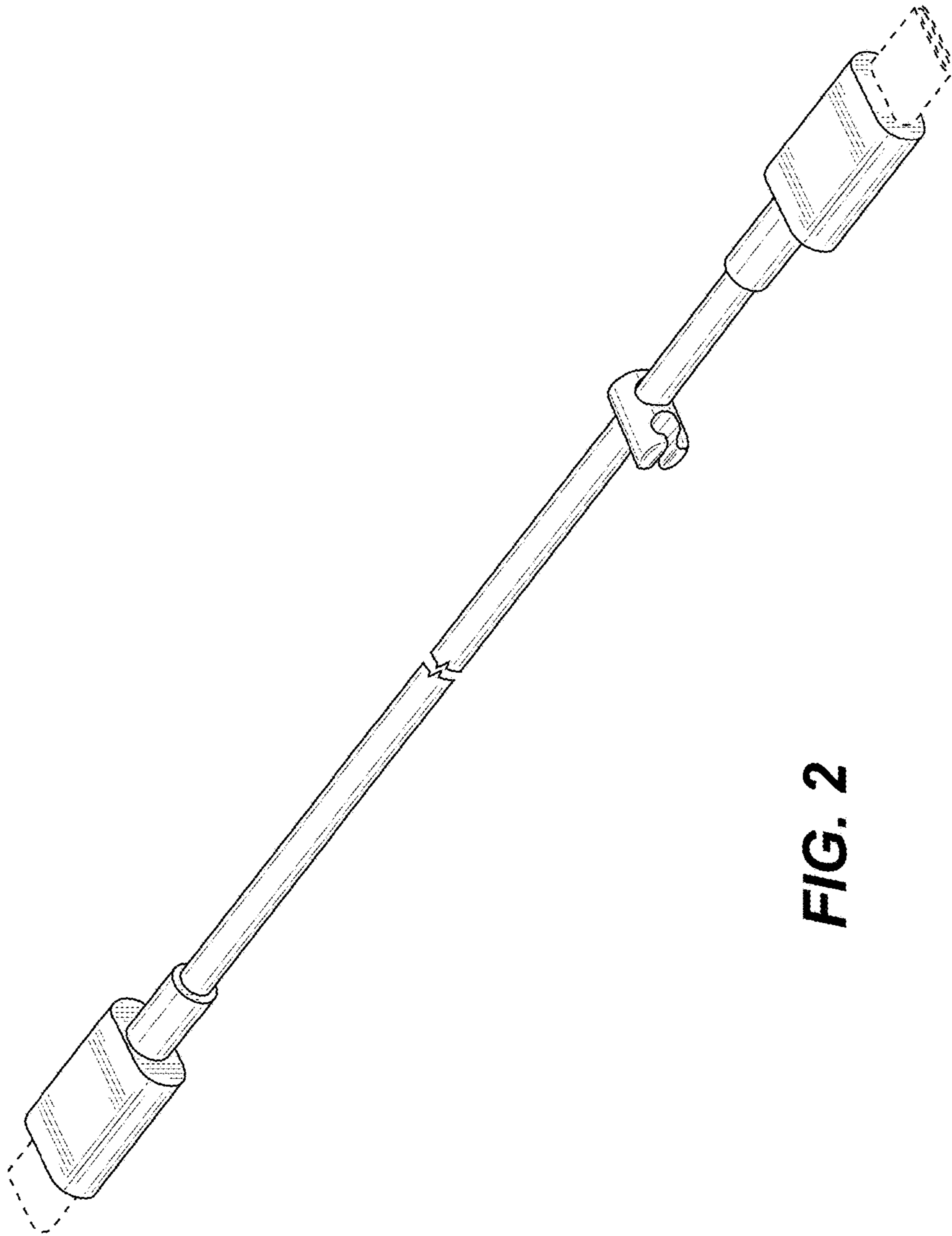


FIG. 2

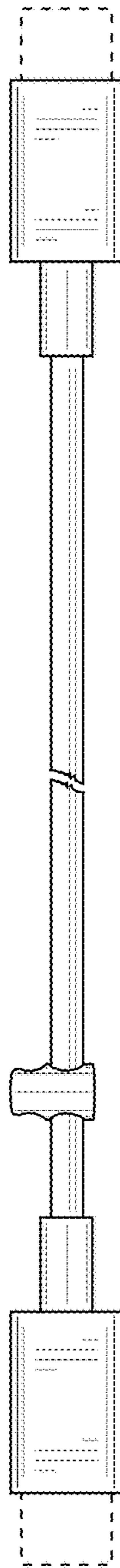


FIG. 3

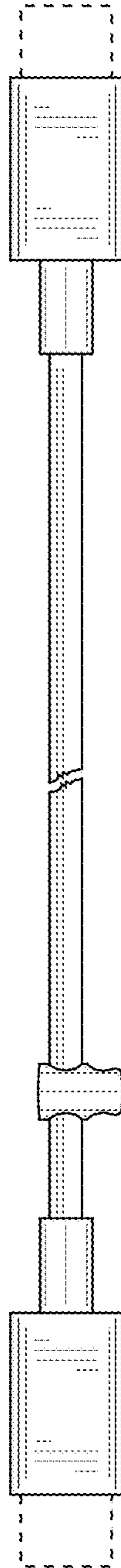


FIG. 4



FIG. 6



FIG. 7



FIG. 8