



US00D843373S

(12) **United States Design Patent**
Zhao et al.

(10) **Patent No.:** **US D843,373 S**
(45) **Date of Patent:** **** Mar. 19, 2019**

(54) **HEAD MOUNTED DISPLAY**
(71) Applicant: **QINGDAO GOERTEK TECHNOLOGY CO., LTD.**, Qingdao, Shandong (CN)
(72) Inventors: **Cheng Zhao**, Qingdao (CN); **Liang Zhang**, Qingdao (CN)
(73) Assignee: **QINGDAO GOERTEK TECHNOLOGY CO., LTD.**, Qingdao, Shandong (CN)

D776,111 S * 1/2017 Baldassi D14/372
D785,620 S * 5/2017 Zhang D14/372
D799,480 S * 10/2017 Flanders D14/372
D801,970 S * 11/2017 Sullivan D14/372
D805,514 S * 12/2017 Clement D14/372
D805,515 S * 12/2017 Bowes D14/372

* cited by examiner

Primary Examiner — Austin Murphy

(74) *Attorney, Agent, or Firm* — Buchanan Ingersoll & Rooney PC

(**) Term: **15 Years**

(57) **CLAIM**

(21) Appl. No.: **29/562,744**

The ornamental design for a head mounted display, as shown and described.

(22) Filed: **Apr. 28, 2016**

(51) **LOC (11) Cl.** **14-02**

(52) **U.S. Cl.**
USPC **D14/372**

DESCRIPTION

(58) **Field of Classification Search**
USPC D14/372, 496, 432, 371, 125, 126, 129, D14/299; D16/300–342; 351/158, 153, 351/144; 345/7–9, 905; 455/344; 348/115, 53, 121, 739
CPC G02B 27/017; G02B 27/0158; G02B 27/0161; G02B 27/0181; G02B 27/0185; G02B 27/0189
See application file for complete search history.

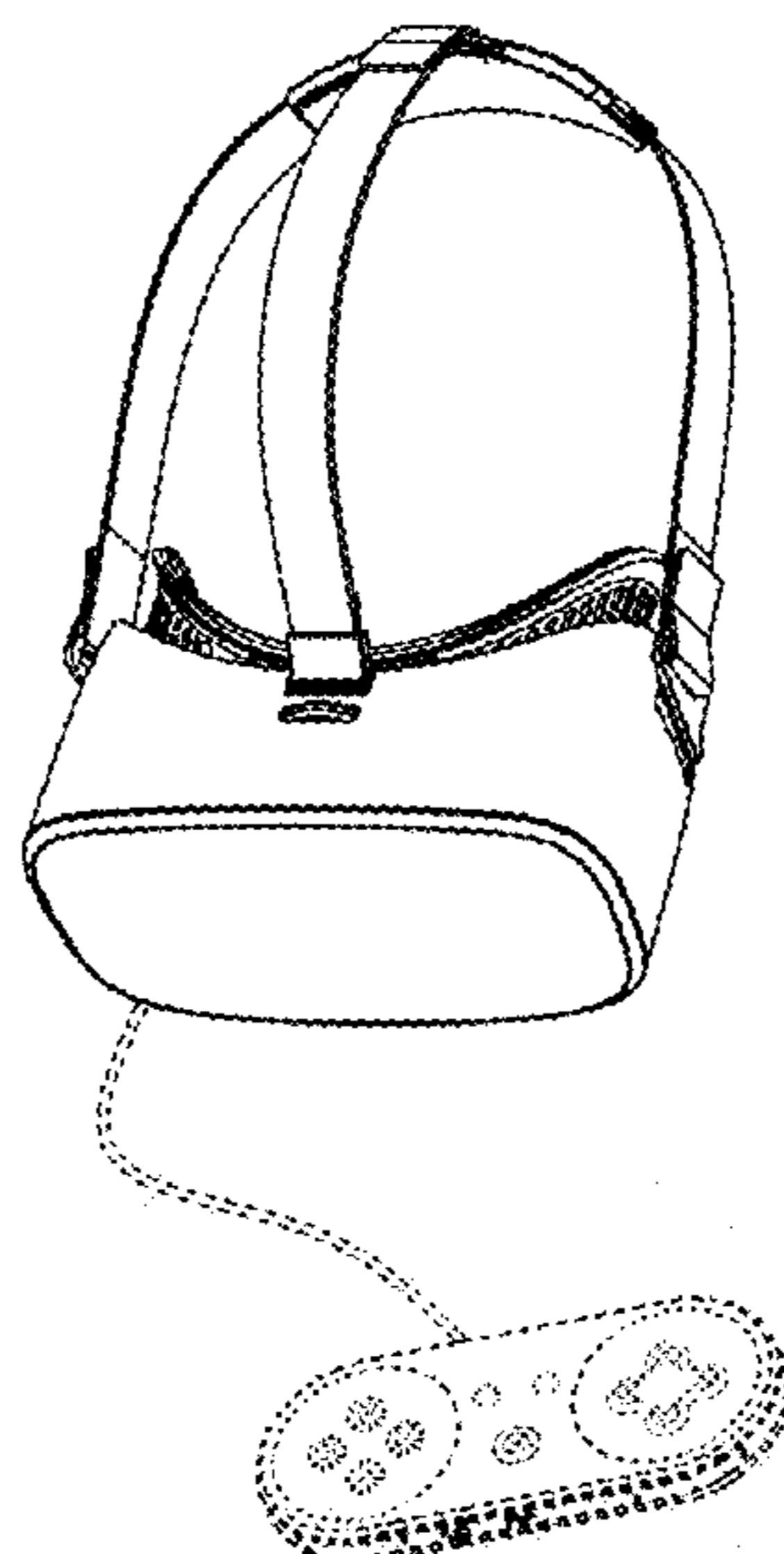
FIG. 1 is a perspective view of a head mounted display and controller showing our new design.
FIG. 2 is a bottom plan view thereof.
FIG. 3 is a top plan view thereof.
FIG. 4 is a left elevational view thereof.
FIG. 5 is a right elevational view thereof.
FIG. 6 is a front elevational view thereof; and,
FIG. 7 is a rear elevational view thereof.
The broken line showing in the drawings discloses unclaimed subject matter and forms no part of the claimed design. The broken line showing of a controller, text and graphic indicia is for environmental purposes only and also forms no part of the claimed design.

(56) **References Cited**

U.S. PATENT DOCUMENTS

D764,465 S * 8/2016 Clement D14/372
D773,460 S * 12/2016 Yang D14/372

1 Claim, 7 Drawing Sheets



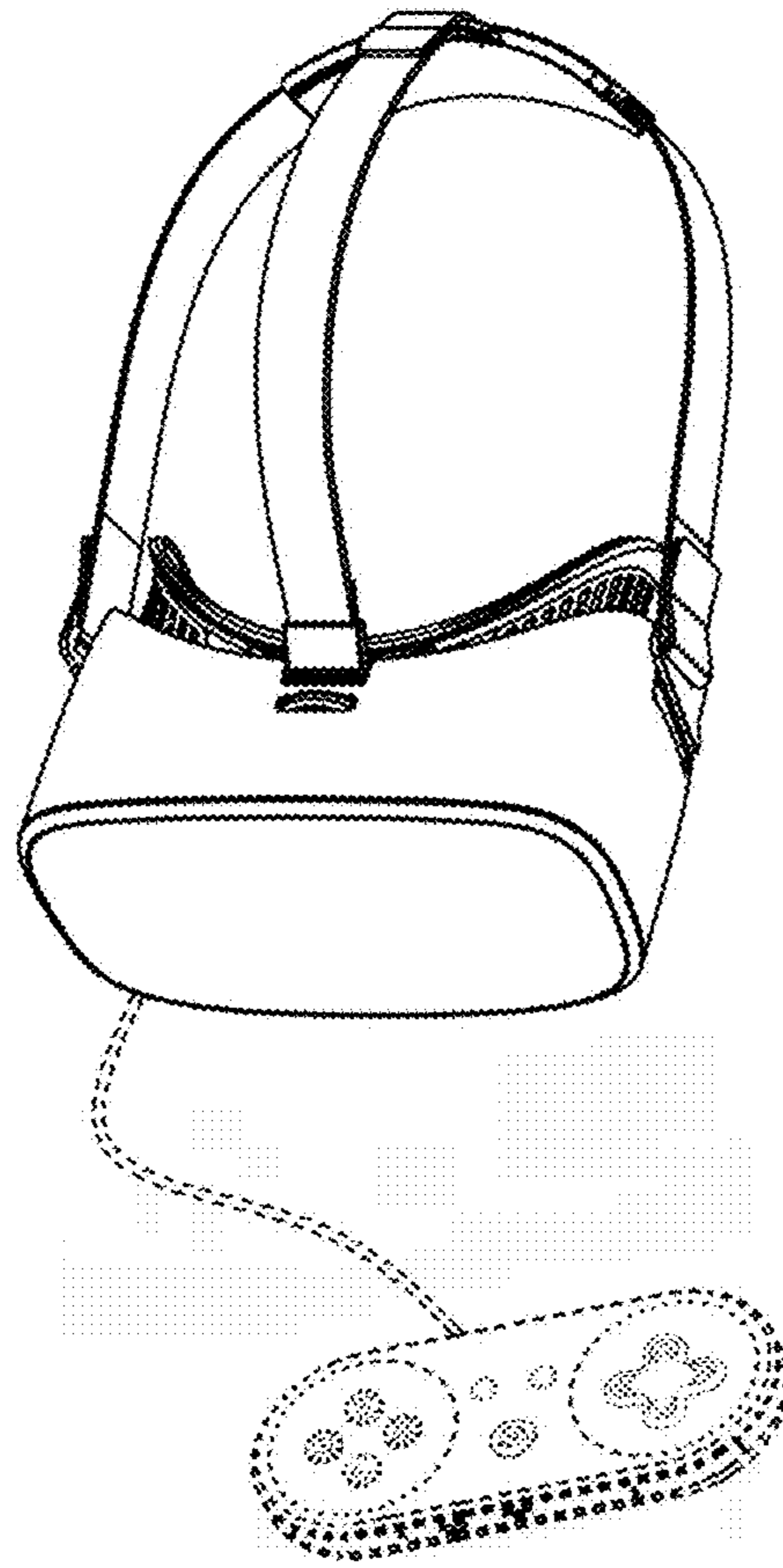


FIG. 1

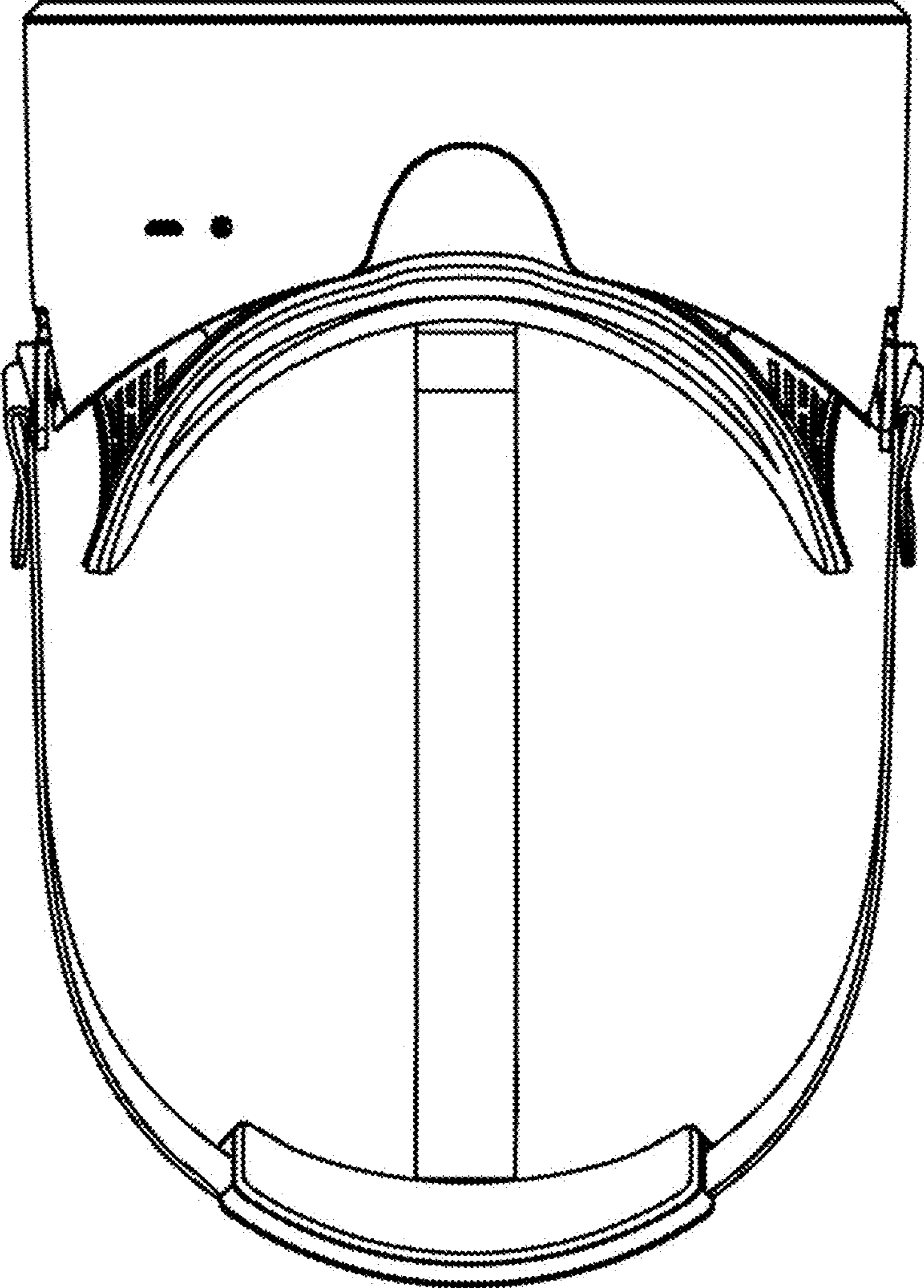


FIG. 2

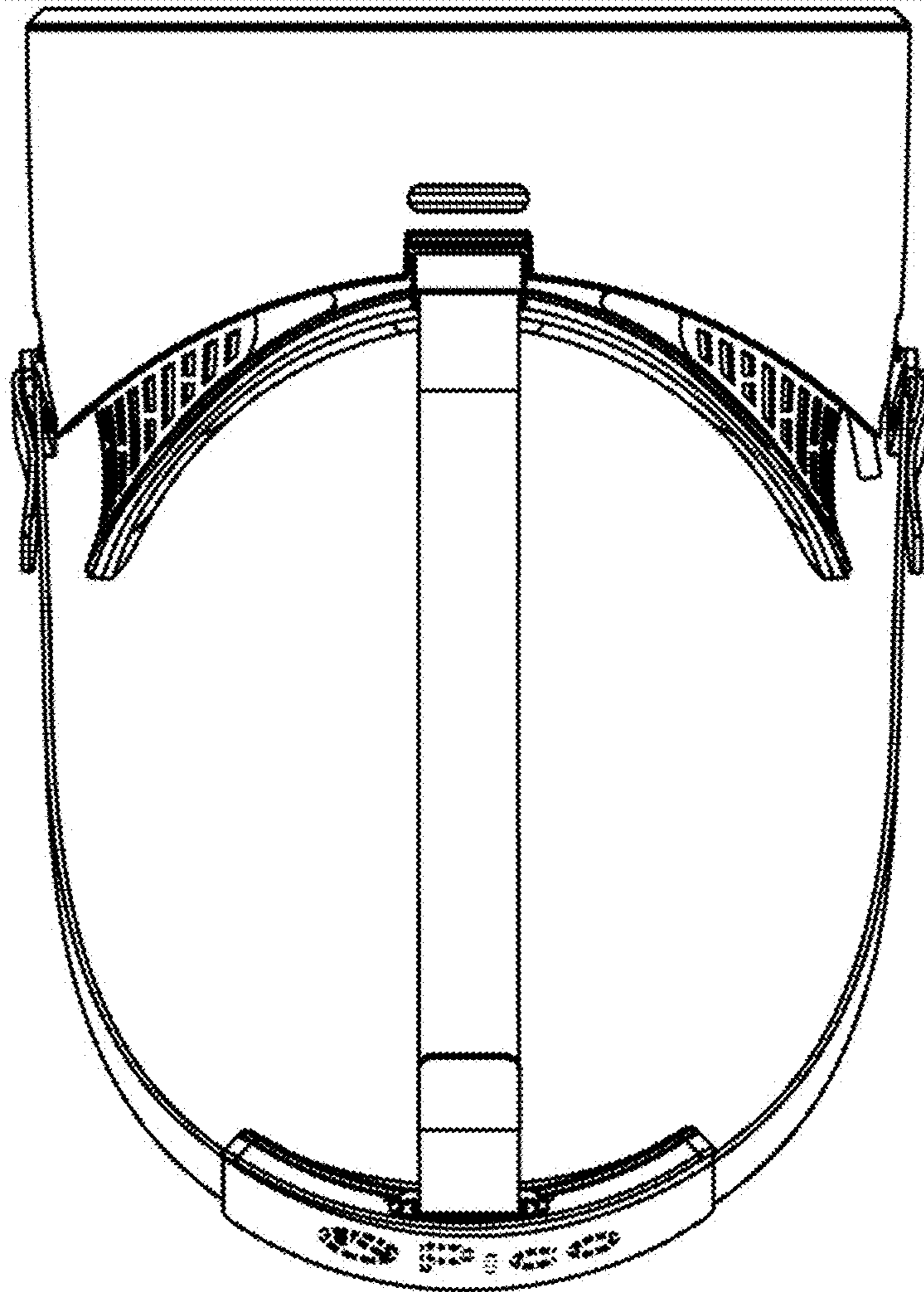


FIG. 3

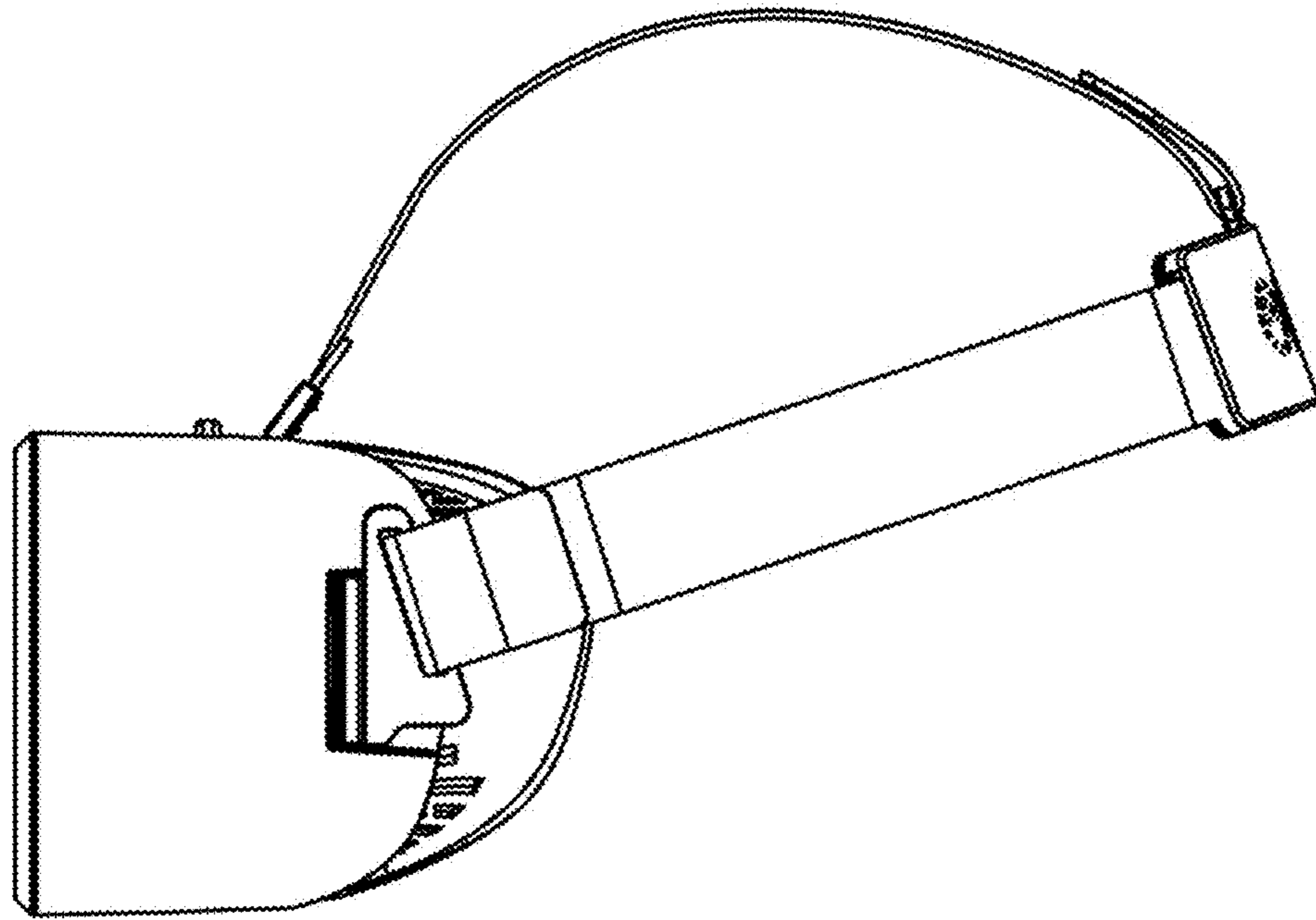


FIG. 4

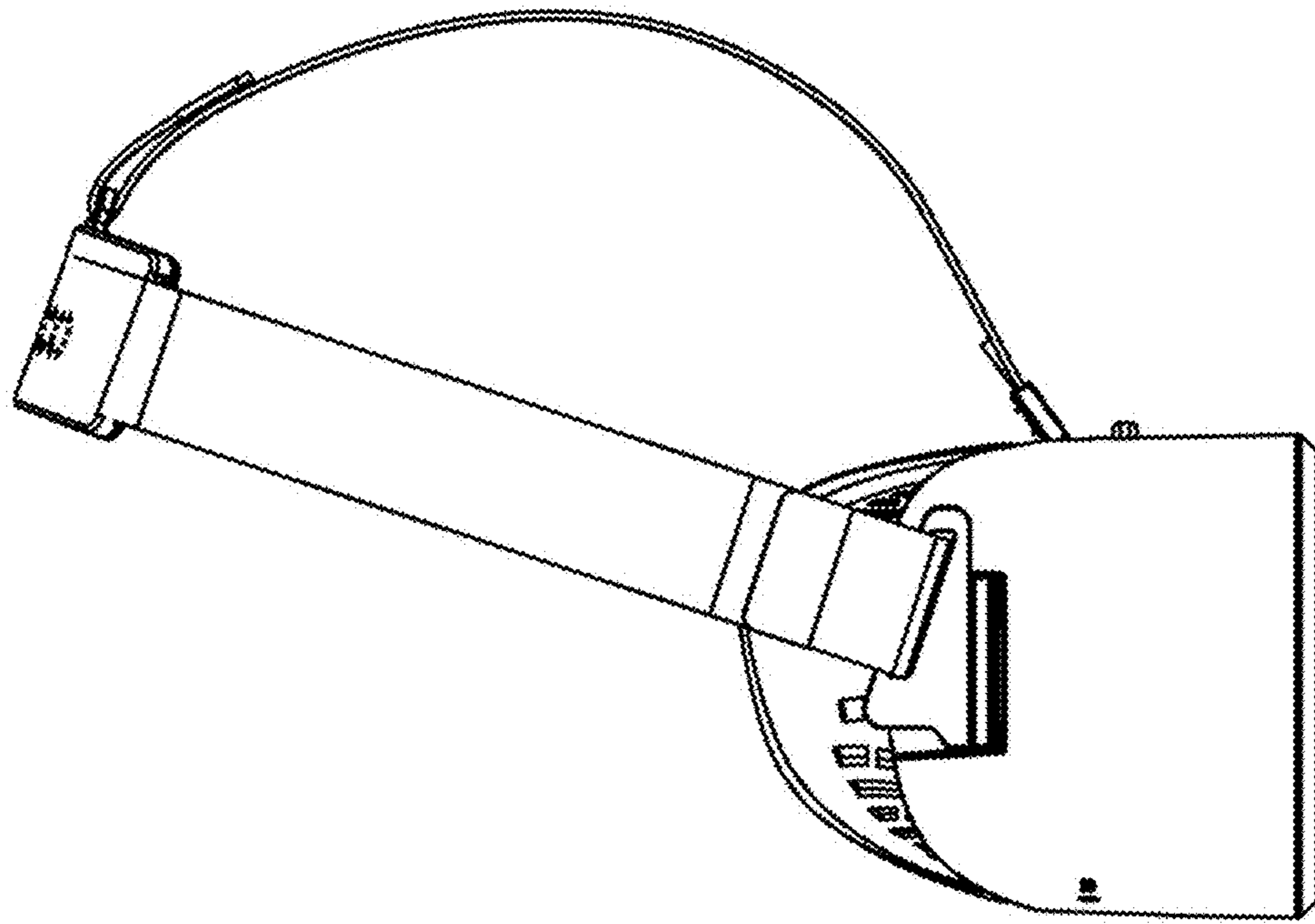


FIG. 5

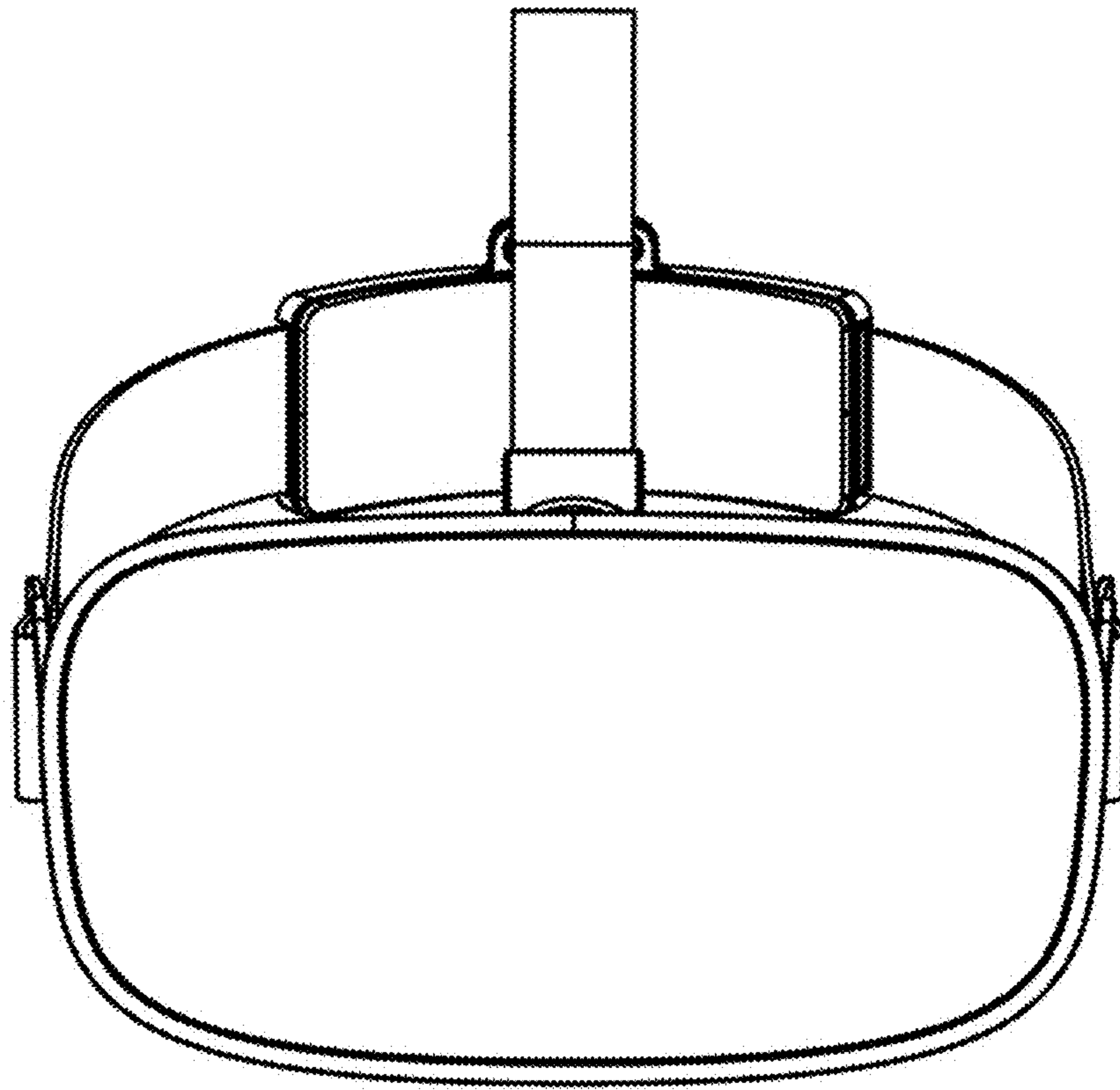


FIG. 6

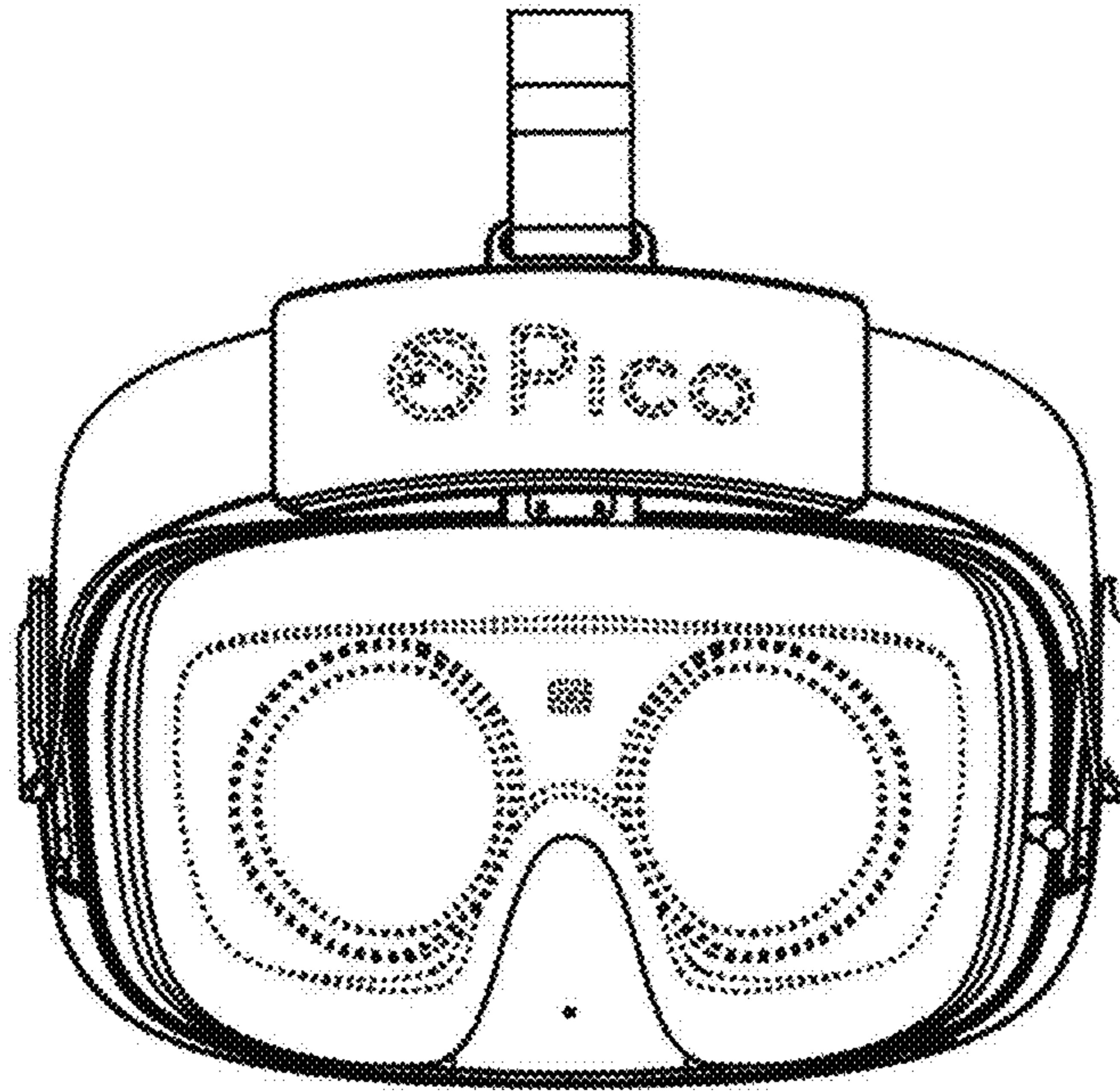


FIG. 7