



US00D843372S

(12) **United States Design Patent** (10) **Patent No.:** **US D843,372 S**
Mistry et al. (45) **Date of Patent:** **** Mar. 19, 2019**

(54) **VISUAL DISPLAY**

(71) Applicant: **Samsung Electronics Co., Ltd.**,
Suwon-si (KR)

(72) Inventors: **Pranav Mistry**, Saratoga, CA (US);
Jiawei Zhang, Sunnyvale, CA (US);
Curtis D. Aumiller, San Jose, CA
(US); **Jun Yeon Cho**, San Jose, CA
(US)

(73) Assignee: **SAMSUNG ELECTRONICS CO.,
LTD.**, Gyeonggi-Do (KR)

(**) Term: **15 Years**

(21) Appl. No.: **29/624,109**

(22) Filed: **Oct. 30, 2017**

(51) **LOC (11) Cl.** **14-02**

(52) **U.S. Cl.**
USPC **D14/371**

(58) **Field of Classification Search**
USPC D14/371-375, 125-129, 336, 337;
D6/300, 308; D19/113, 114; D20/10
CPC G09F 15/0025; G09F 15/0062; G09F
15/0068; G06F 1/16; G06F 1/1613; G06F
1/133308; G06F 1/1601; G06F 3/037;
G06F 1/162; F16M 11/02; F16M 11/10;
F16M 11/00; F16M 11/06; F16M 11/18;
F16M 11/045; F16M 11/105; F16M
11/041; F16M 11/126; F16M 11/04;
F16M 11/24; F16M 13/02; A47F 5/00;
G03B 21/145

See application file for complete search history.

(56) **References Cited**

U.S. PATENT DOCUMENTS

D494,970 S *	8/2004	Chen	D14/371
D535,991 S *	1/2007	Chiu	D14/371
D631,045 S *	1/2011	Chiu	D14/371
D651,209 S *	12/2011	Chiu	D14/371

* cited by examiner

Primary Examiner — Freda S Nunn

(74) *Attorney, Agent, or Firm* — Cantor Colburn LLP

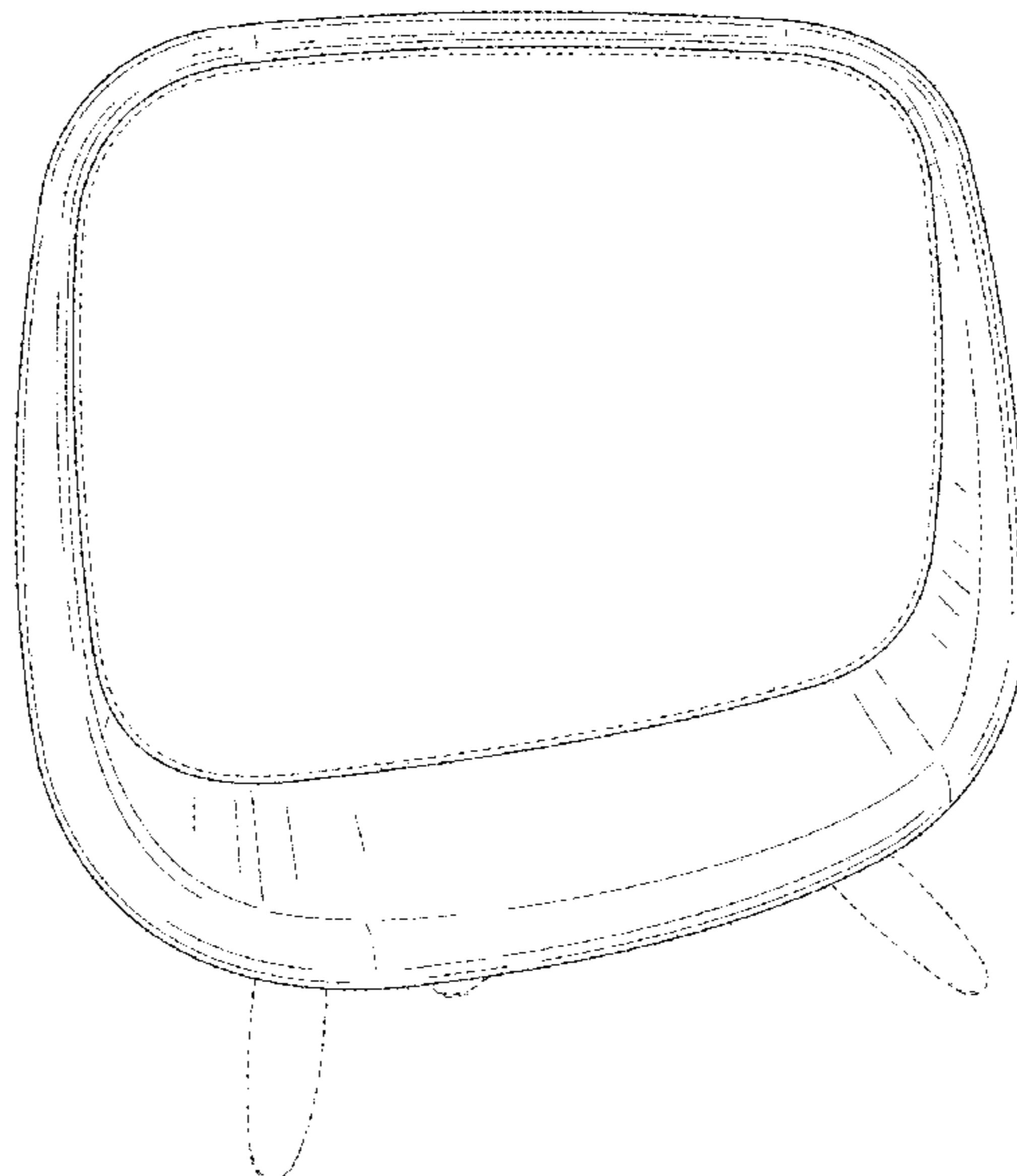
(57) **CLAIM**

The ornamental design for a visual display, as shown and described.

DESCRIPTION

FIG. 1 is a front perspective view of a visual display showing our new design;
FIG. 2 is a side perspective view thereof;
FIG. 3 is a front view thereof;
FIG. 4 is a rear view thereof;
FIG. 5 is a side view thereof;
FIG. 6 is another side view thereof;
FIG. 7 is a top view thereof; and,
FIG. 8 is a bottom view thereof.
The broken lines showing the visual display form no part of the claimed design.

1 Claim, 7 Drawing Sheets



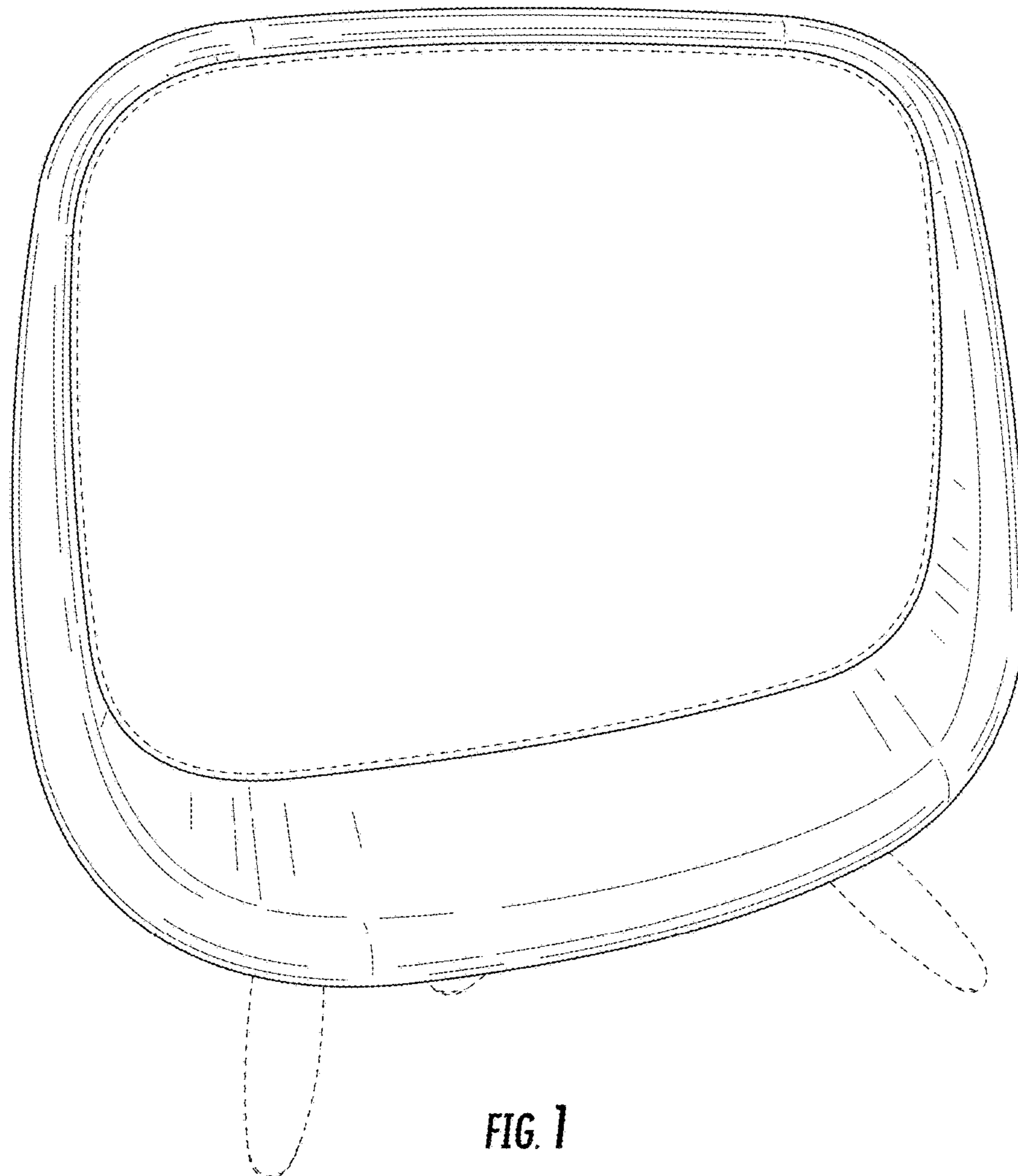


FIG. 1

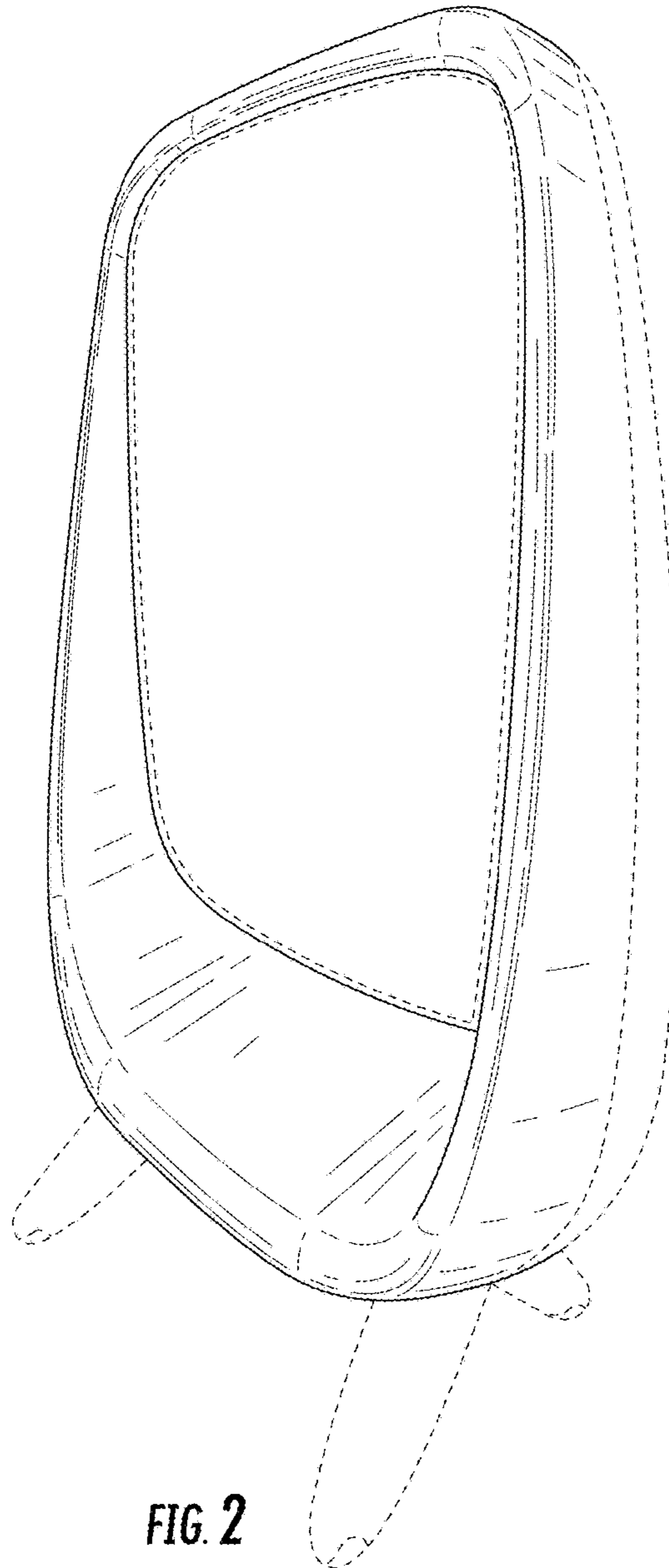


FIG. 2

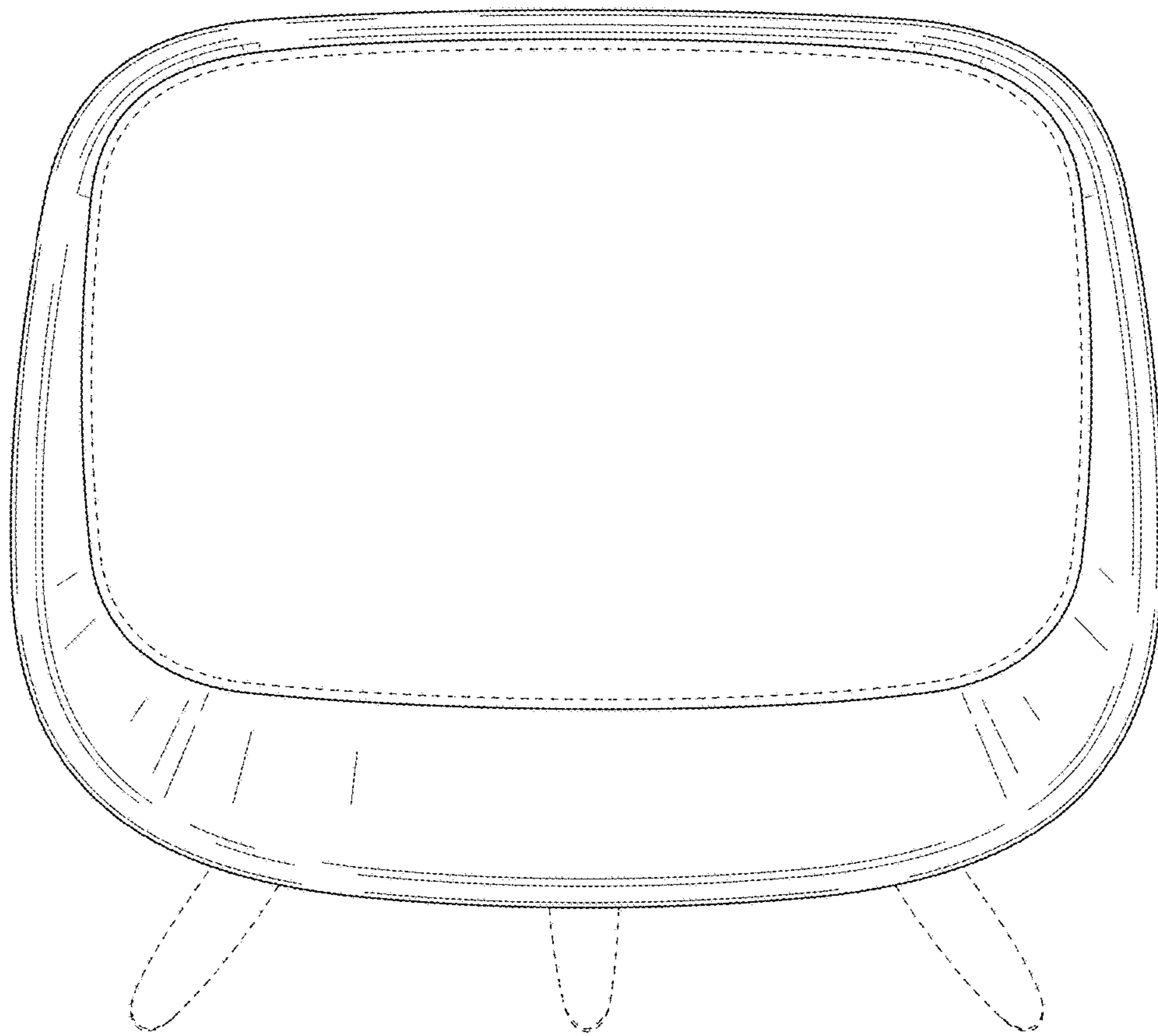


FIG. 3

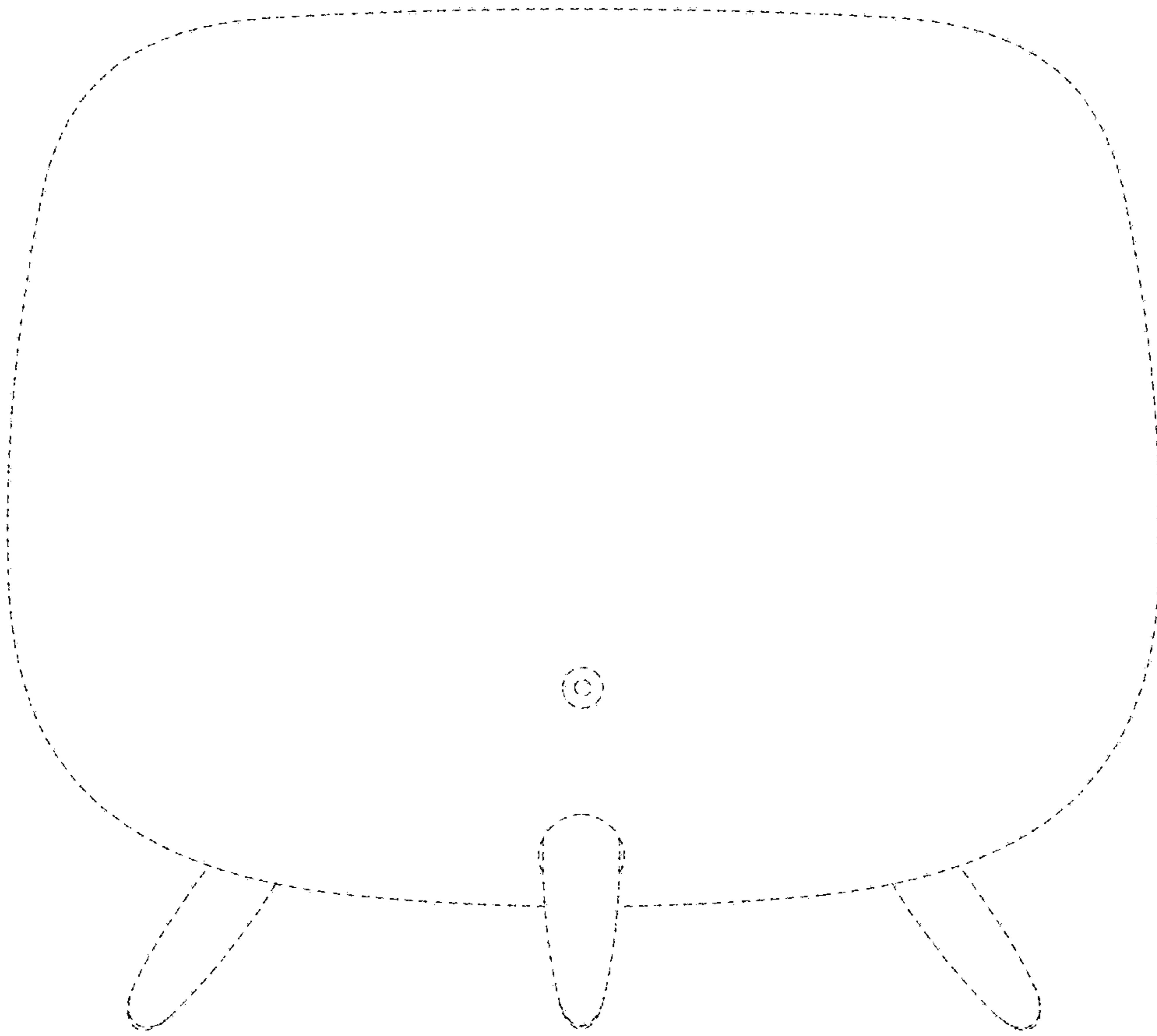


FIG. 4

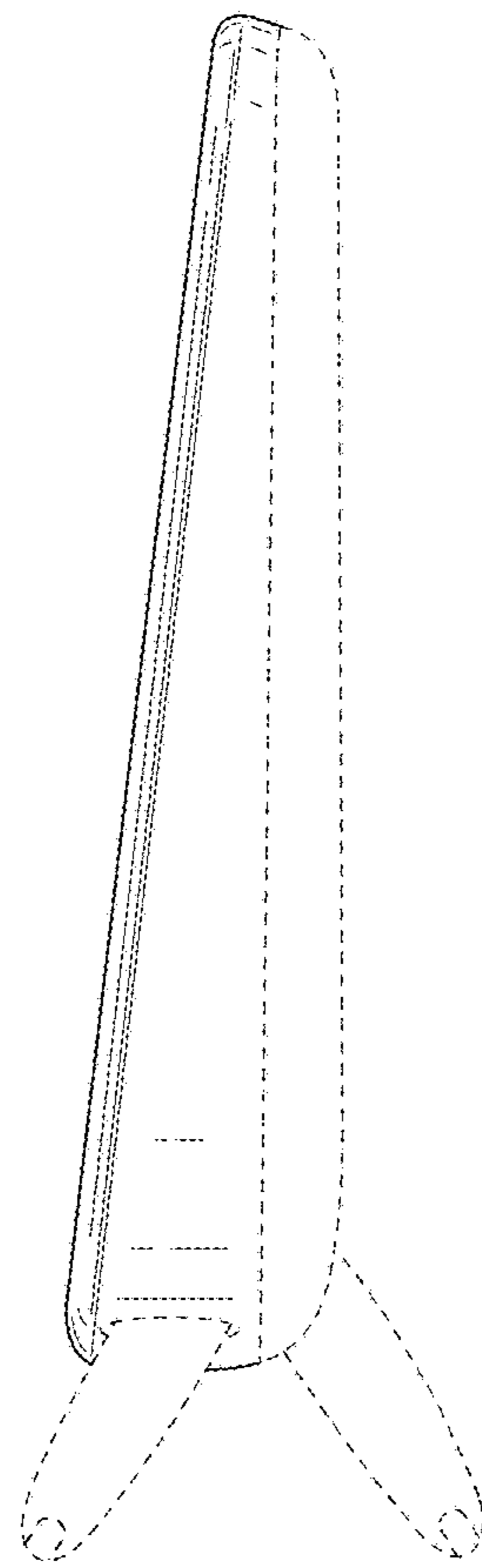


FIG. 5

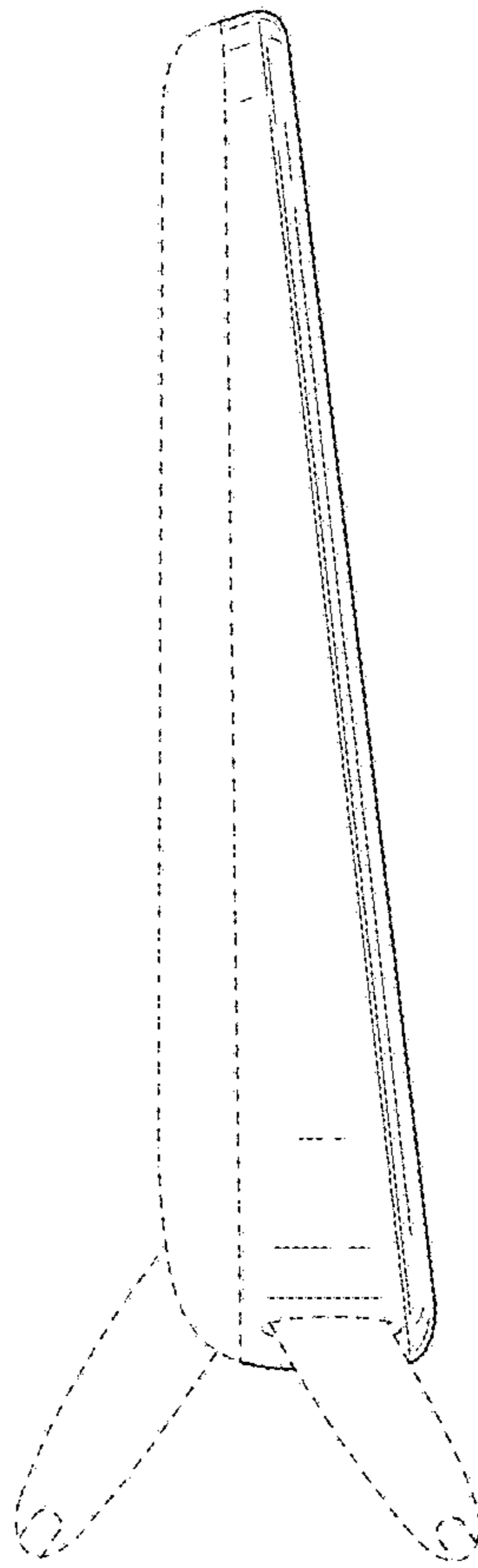


FIG. 6

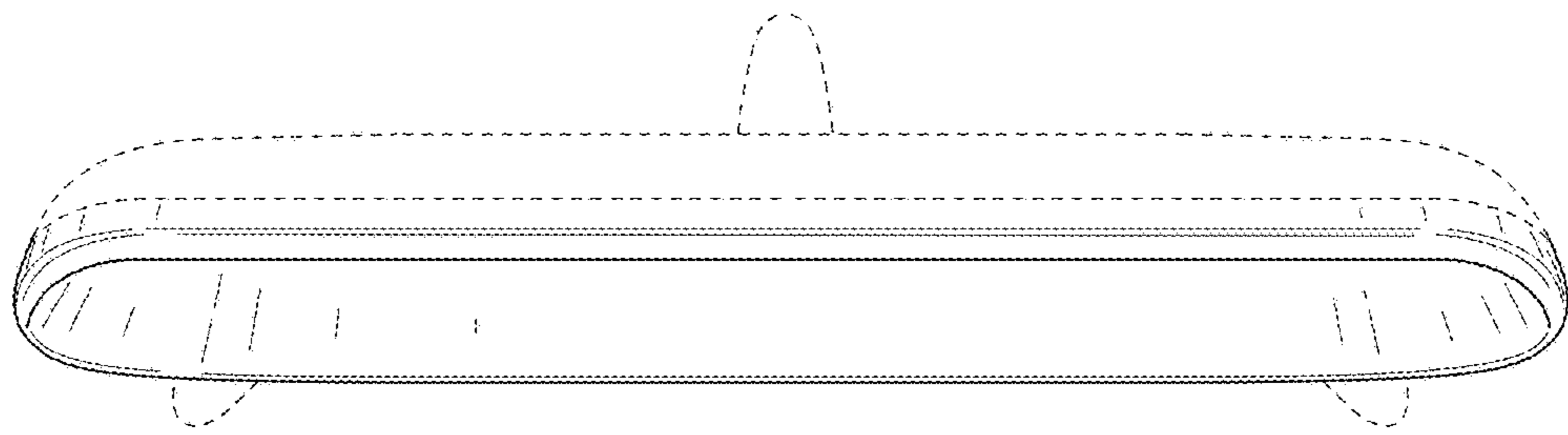


FIG. 7

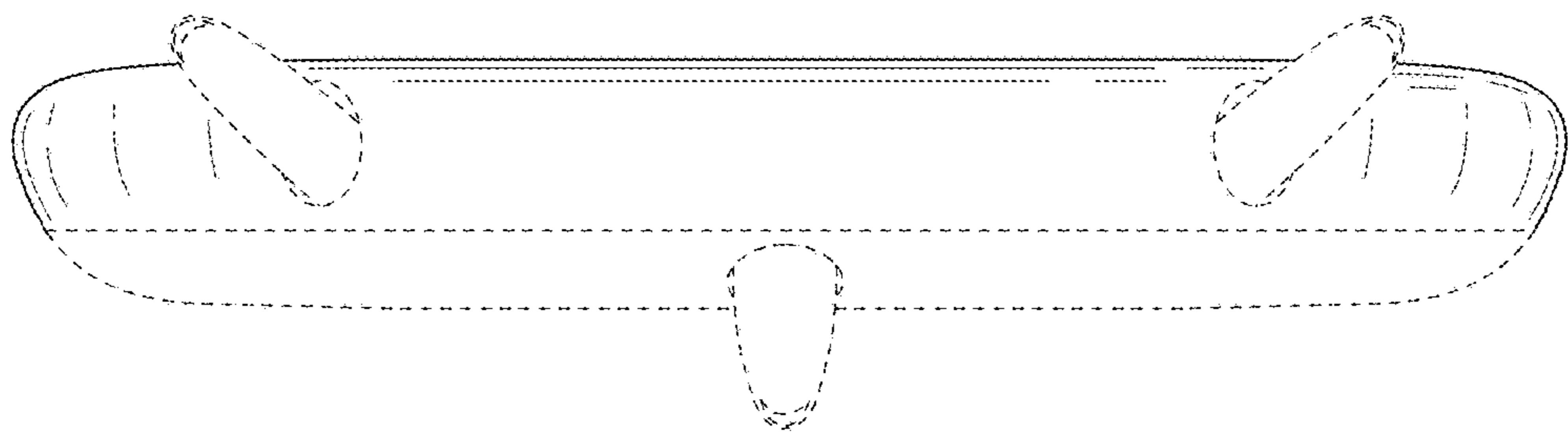


FIG. 8