



US00D843367S

(12) **United States Design Patent**  
**Magi et al.**

(10) **Patent No.:** **US D843,367 S**  
(45) **Date of Patent:** **\*\* Mar. 19, 2019**

(54) **COMPUTER**

(71) Applicant: **Intel Corporation**, Santa Clara, CA  
(US)

(72) Inventors: **Aleksander Magi**, Aloha, OR (US);  
**Randall W. Martin**, Hillsboro, OR  
(US)

(73) Assignee: **Intel Corporation**, Santa Clara, CA  
(US)

(\*\*) Term: **15 Years**

(21) Appl. No.: **29/625,973**

(22) Filed: **Nov. 14, 2017**

(51) **LOC (11) Cl.** ..... **14-02**

(52) **U.S. Cl.**  
USPC ..... **D14/331**

(58) **Field of Classification Search**  
USPC ..... D14/315-318, 331, 371-375, 125-129,  
D14/336, 337, 188, 391-399, 455;  
341/12; 345/104, 156, 168, 173;  
348/180, 184, 325, 739; 349/1, 2, 11, 62;  
361/679.05-679.07, 679.21; D6/300,  
D6/308; D20/10  
CPC ..... G06F 1/16; G06F 1/1601; G06F 1/1615;  
G06F 3/037; G06F 1/162; G06F 1/1613;  
F16M 11/02; F16M 11/10; F16M 11/00;  
G02F 1/133308

See application file for complete search history.

(56) **References Cited**

**U.S. PATENT DOCUMENTS**

D421,972 S \* 3/2000 Makidera ..... D14/316  
6,781,820 B2 \* 8/2004 Cheng ..... G06F 1/1601  
248/917  
D538,800 S \* 3/2007 Zhang ..... D14/331  
D700,178 S \* 2/2014 Ma ..... D14/331  
8,730,669 B2 \* 5/2014 Locker ..... G06F 1/1615  
345/169

(Continued)

*Primary Examiner* — Freda S Nunn

(74) *Attorney, Agent, or Firm* — Schwegman Lundberg &  
Woessner, P.A.

(57) **CLAIM**

The ornamental design for a computer, as shown and  
described.

**DESCRIPTION**

FIG. 1 is a front view of a computer showing our new design  
in use;

FIG. 2 is a rear view thereof.

FIG. 3 is a left side view thereof.

FIG. 4 is a right side view thereof.

FIG. 5 is a top view thereof.

FIG. 6 is a bottom view thereof.

FIG. 7 is a top-front-right perspective view thereof.

FIG. 8 is a bottom-front-left perspective view thereof.

FIG. 9 is a bottom-rear-right perspective view thereof.

FIG. 10 is a top-rear-left perspective view thereof.

FIG. 11 is a front view of the computer, without the wireless  
keyboard.

FIG. 12. is a rear view thereof.

FIG. 13 is a left side view thereof.

FIG. 14 is a right side view thereof.

FIG. 15 is a top view thereof.

FIG. 16 is a bottom view thereof.

FIG. 17 is a top-front-right perspective view thereof.

FIG. 18 is a bottom-front-left perspective view thereof.

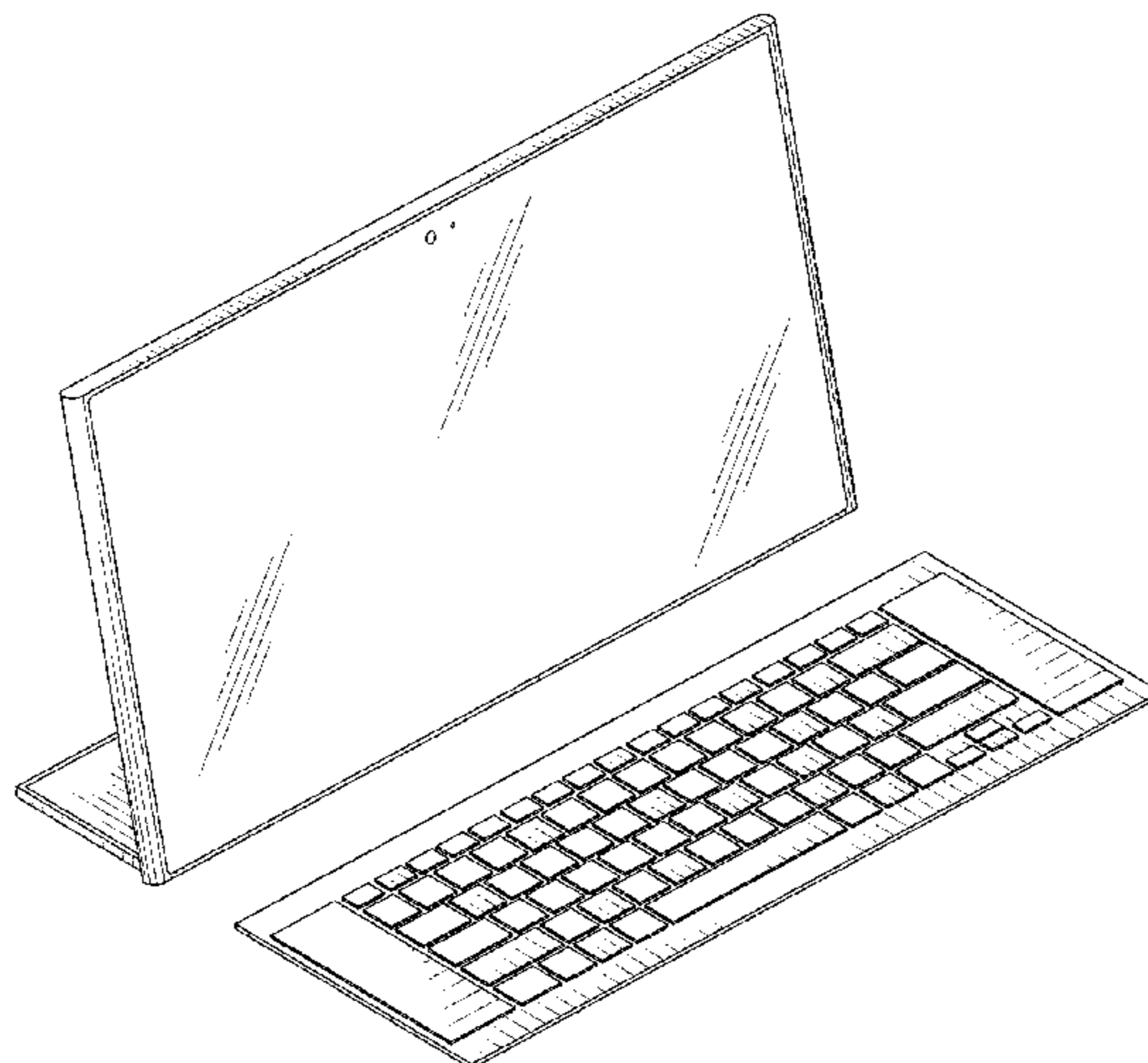
FIG. 19 is a bottom-rear-right perspective view thereof; and,

FIG. 20 is a top-rear-left perspective view thereof.

The broken line showings of a logo (e.g., “intel”) are for the  
purpose of illustrating environmental structure, and the  
broken lines form no part of the claimed design.

The shade lines show surface contour and not surface  
ornamentation.

**1 Claim, 13 Drawing Sheets**



(56)

**References Cited**

U.S. PATENT DOCUMENTS

D749,564 S \* 2/2016 Cho ..... D14/341  
D768,624 S \* 10/2016 Bae ..... D14/331

\* cited by examiner

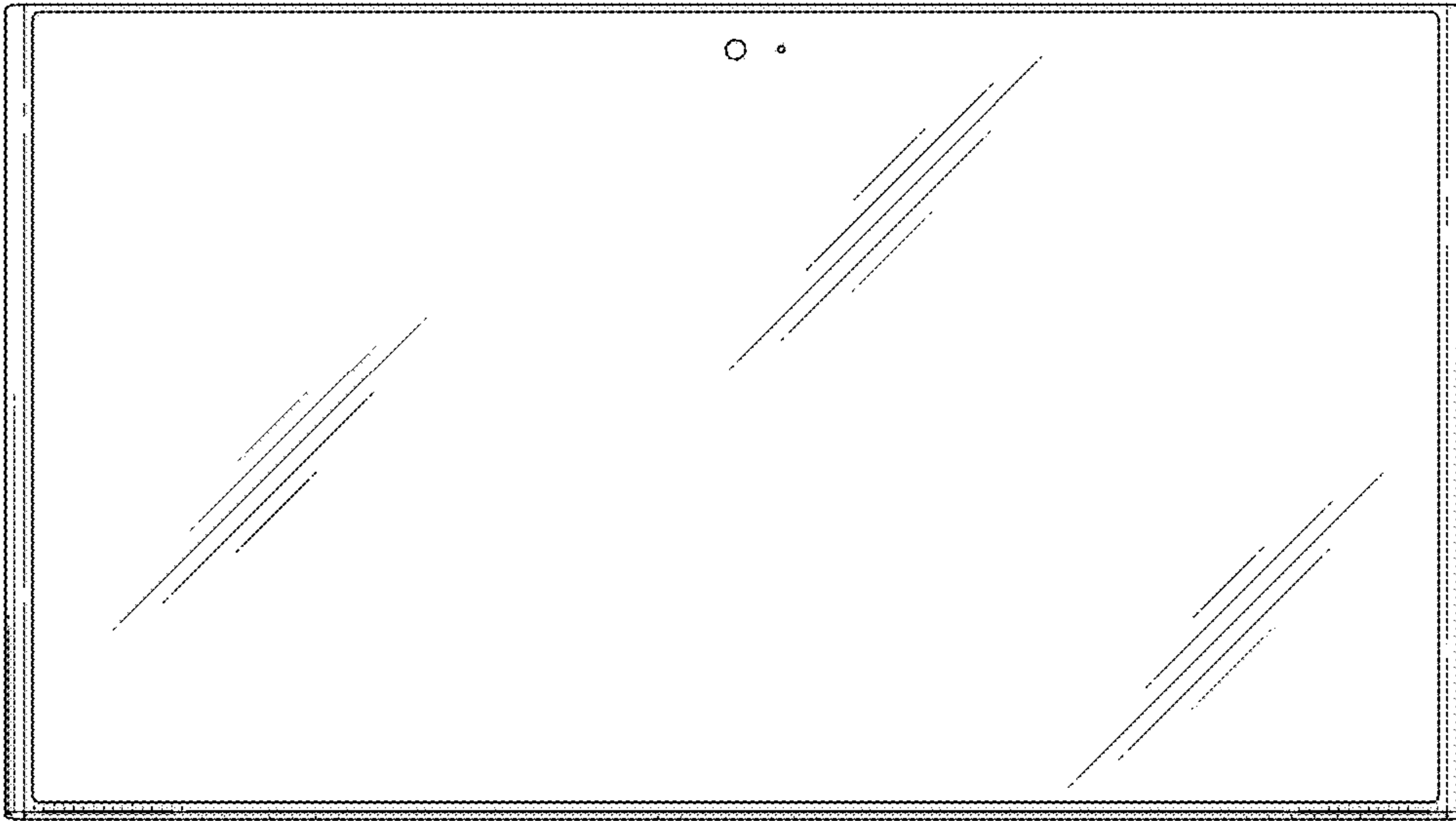


FIG. 1

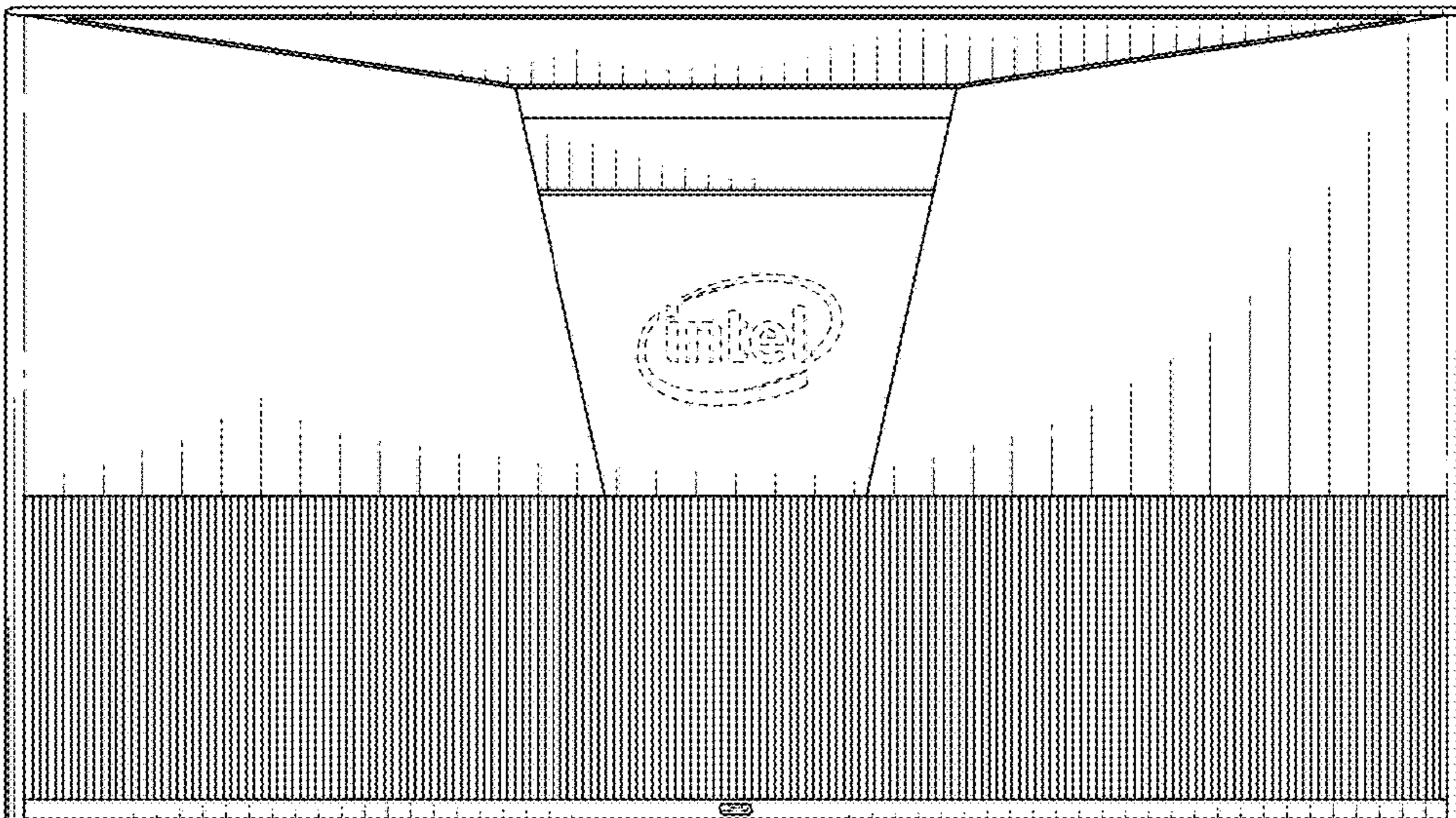


FIG. 2

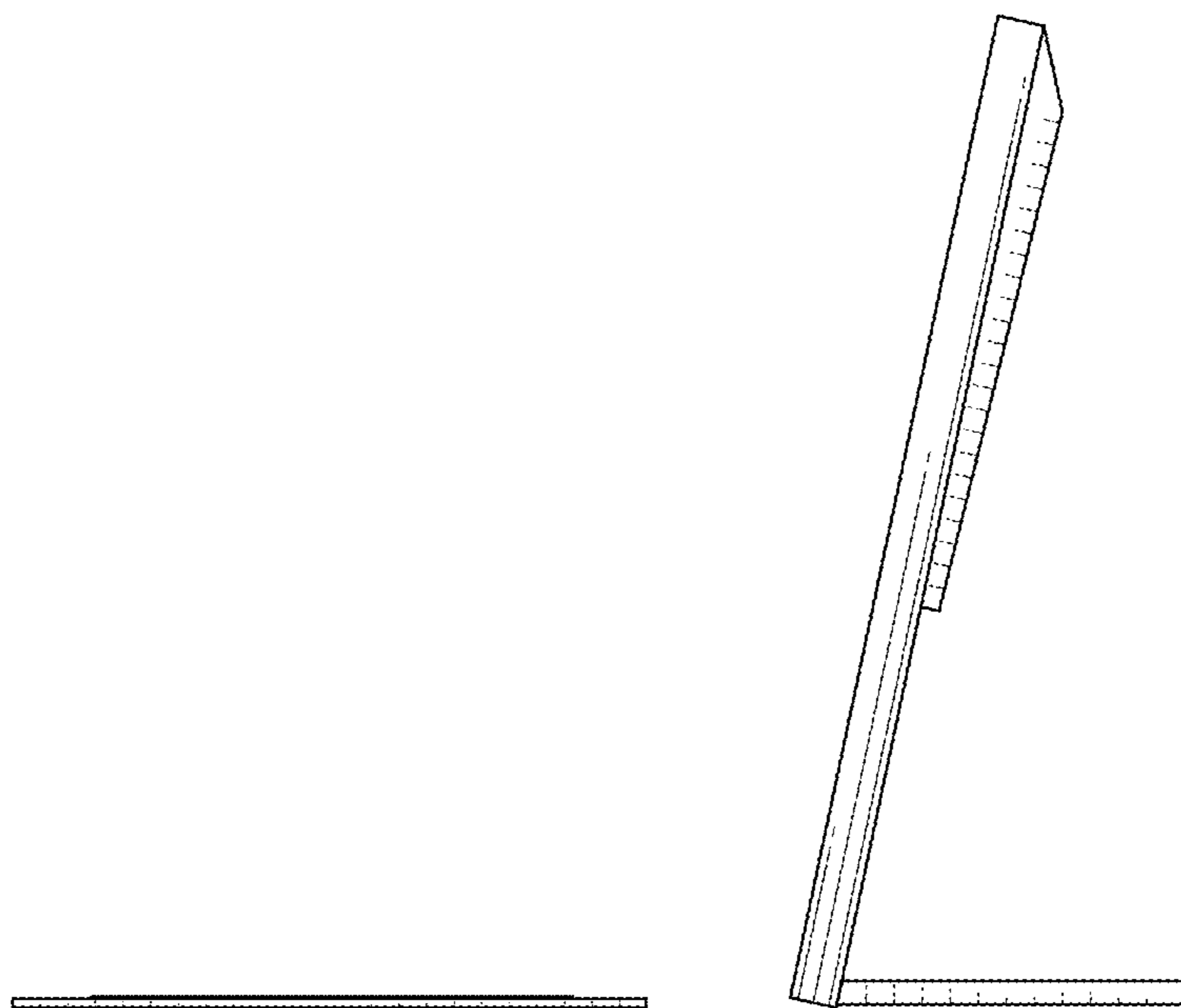


FIG. 3

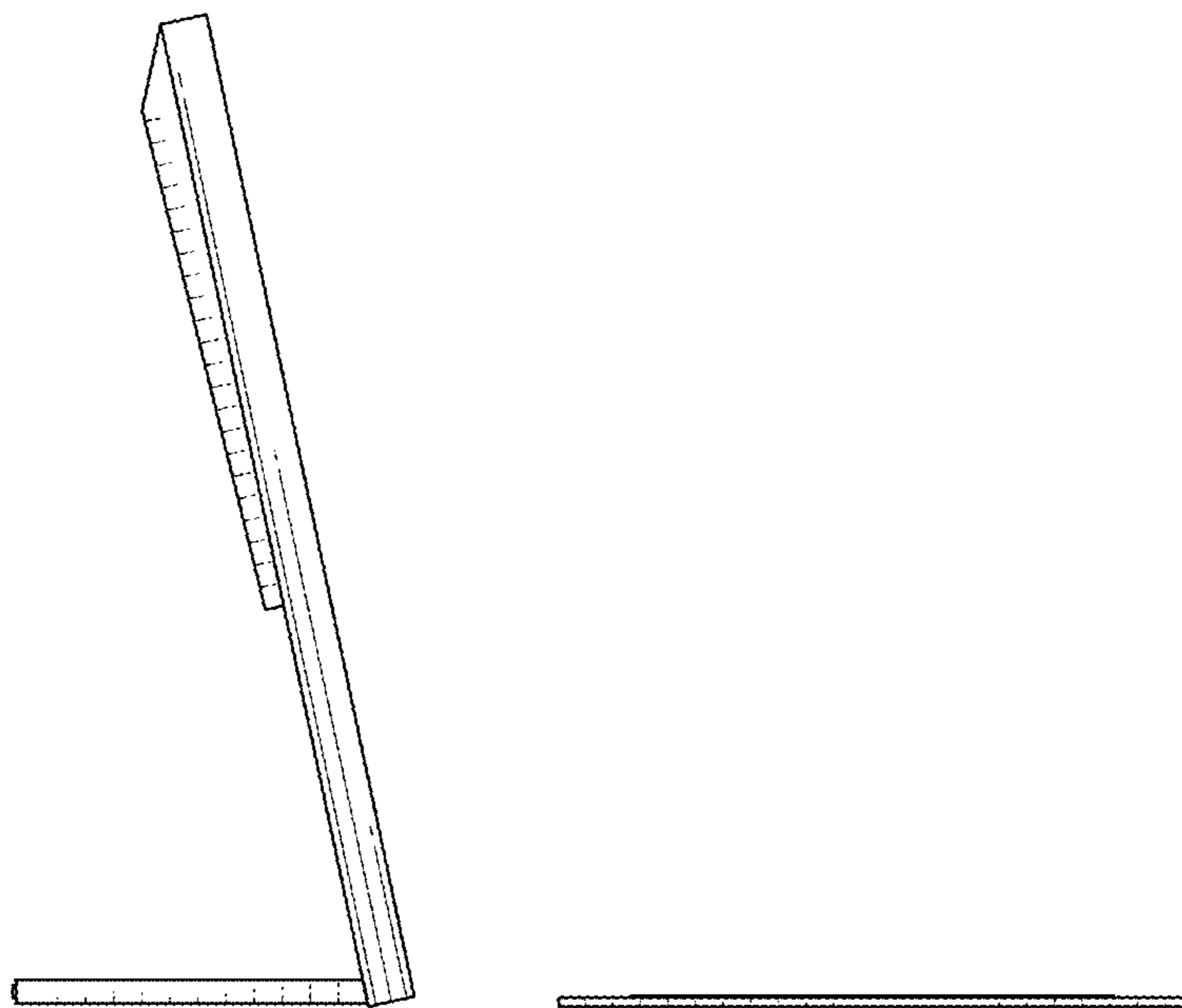


FIG. 4



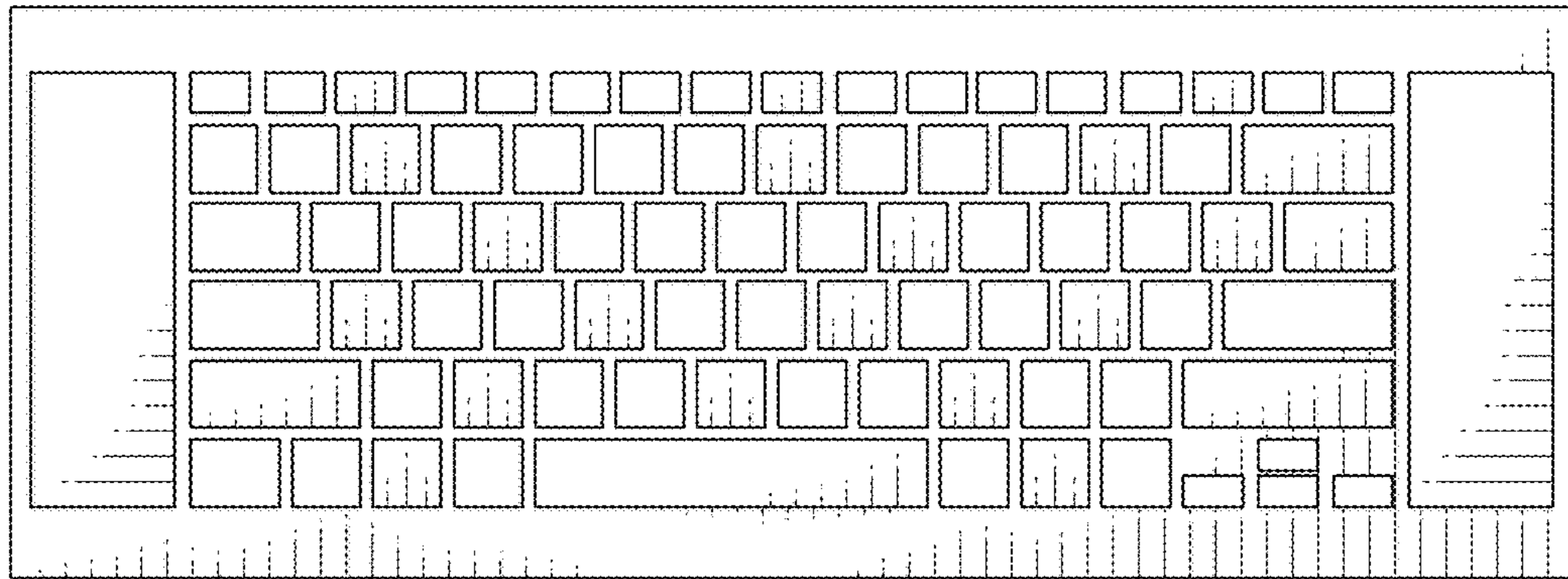
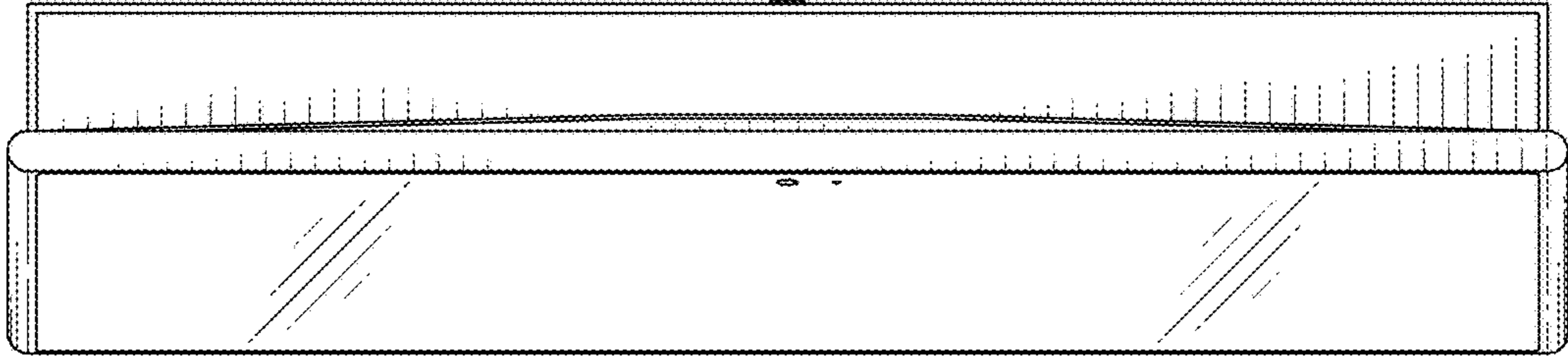


FIG. 5

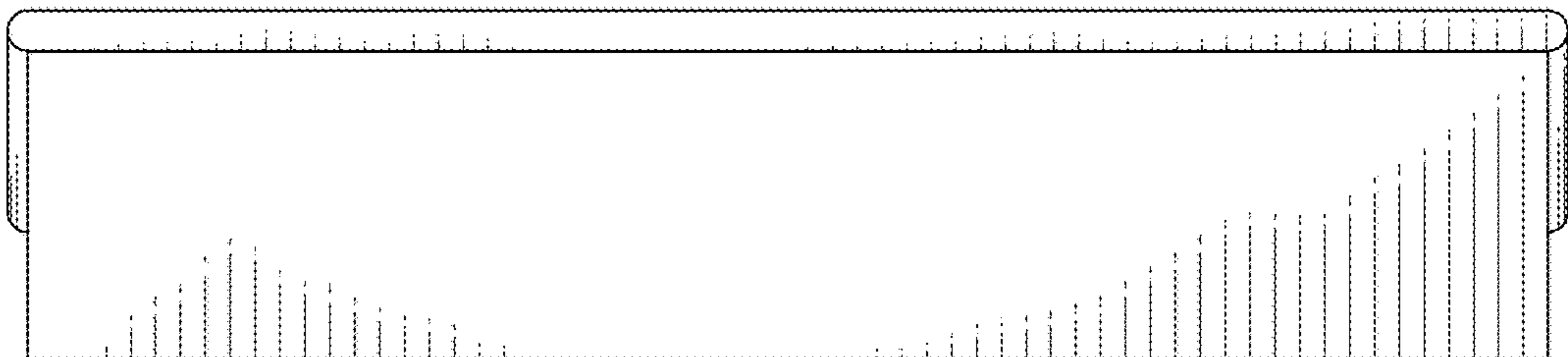
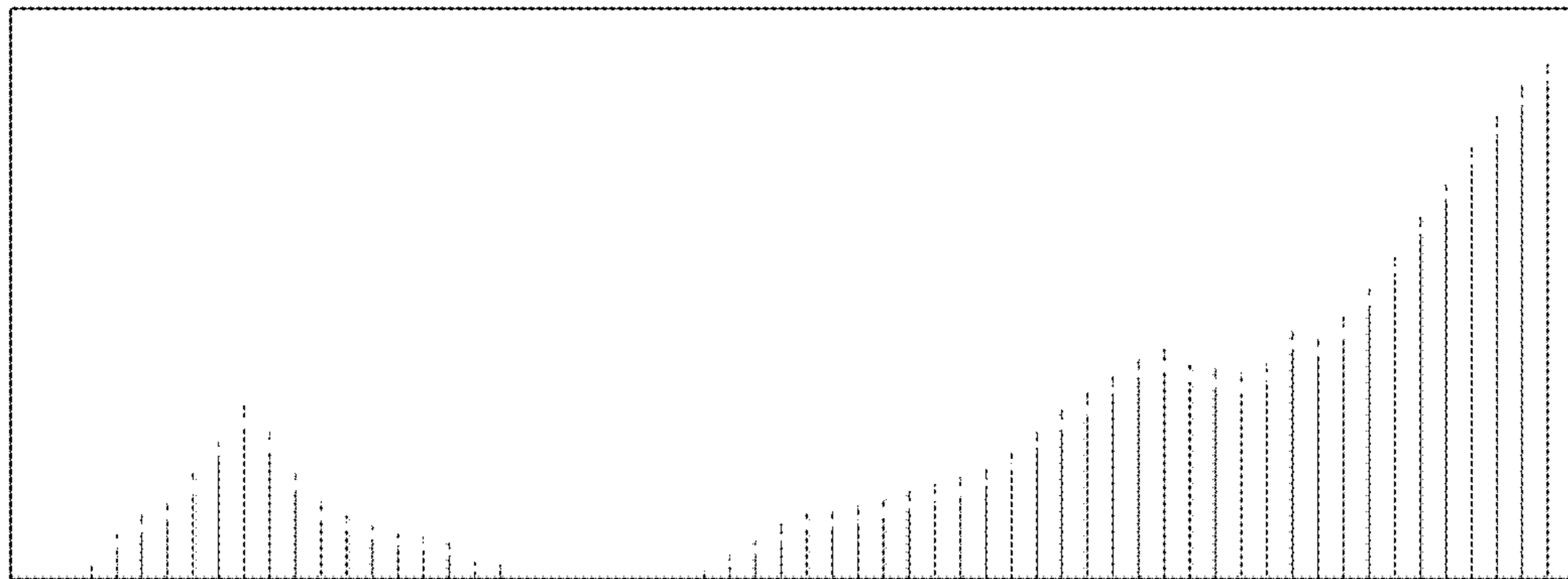


FIG. 6

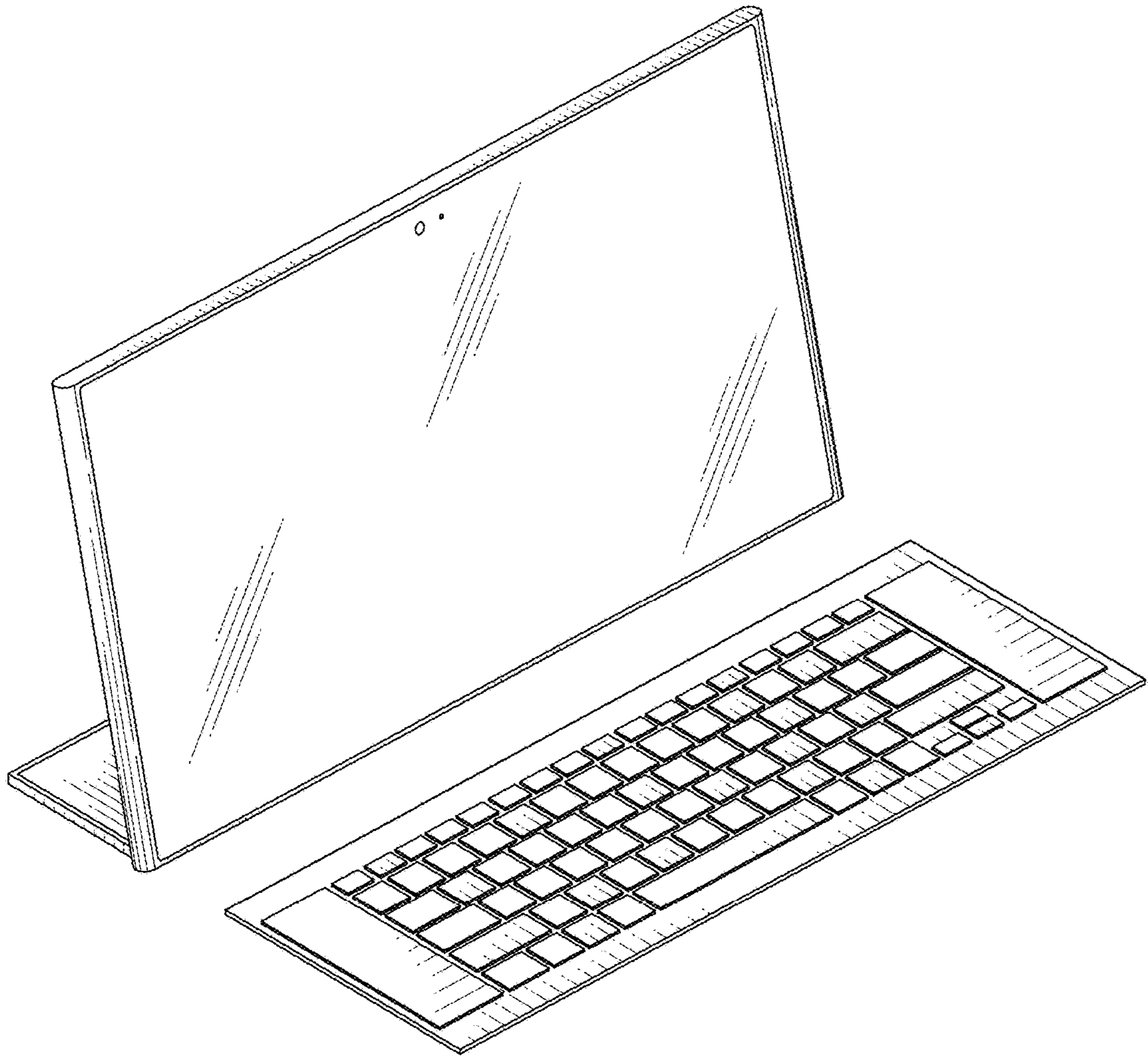


FIG. 7

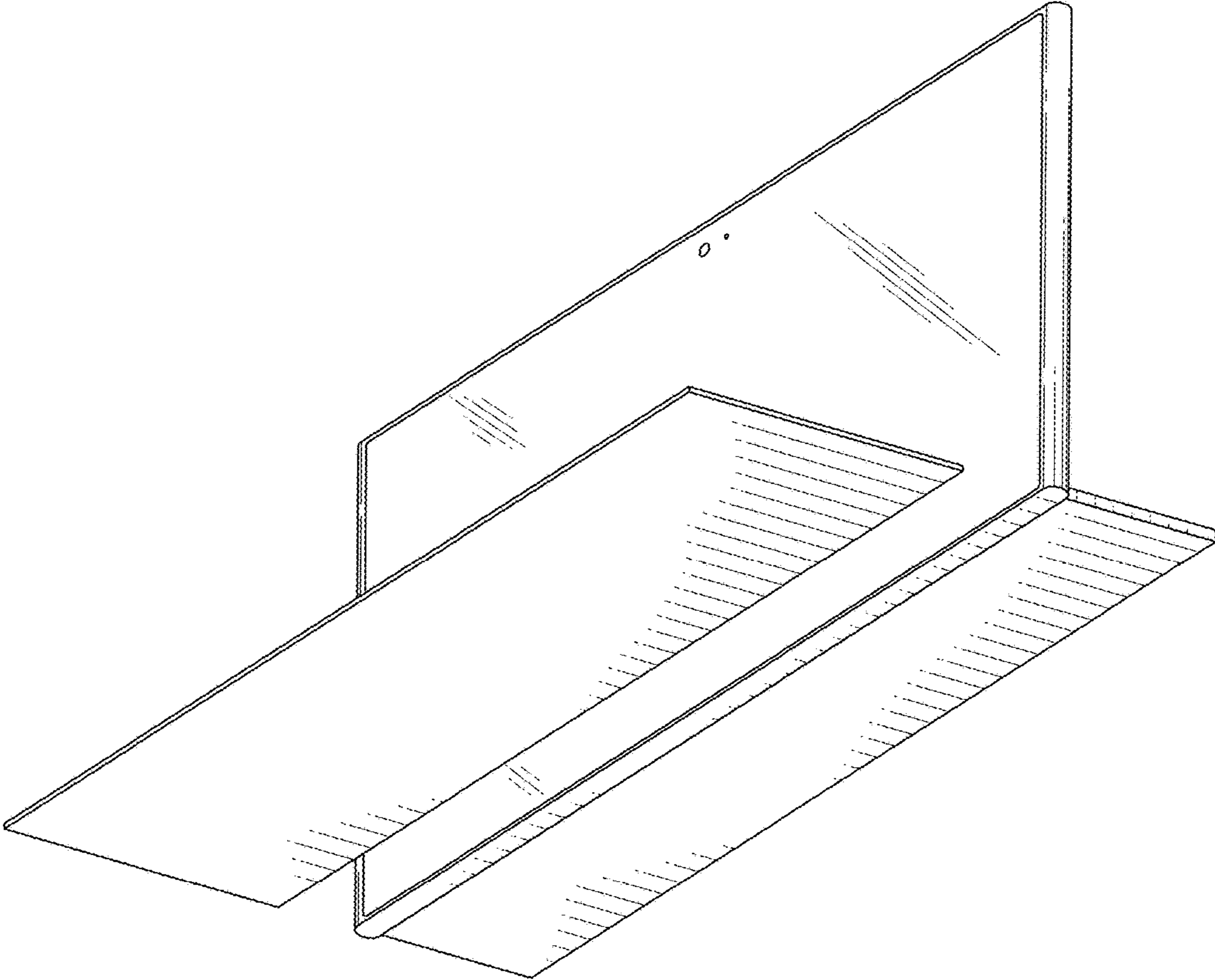


FIG. 8

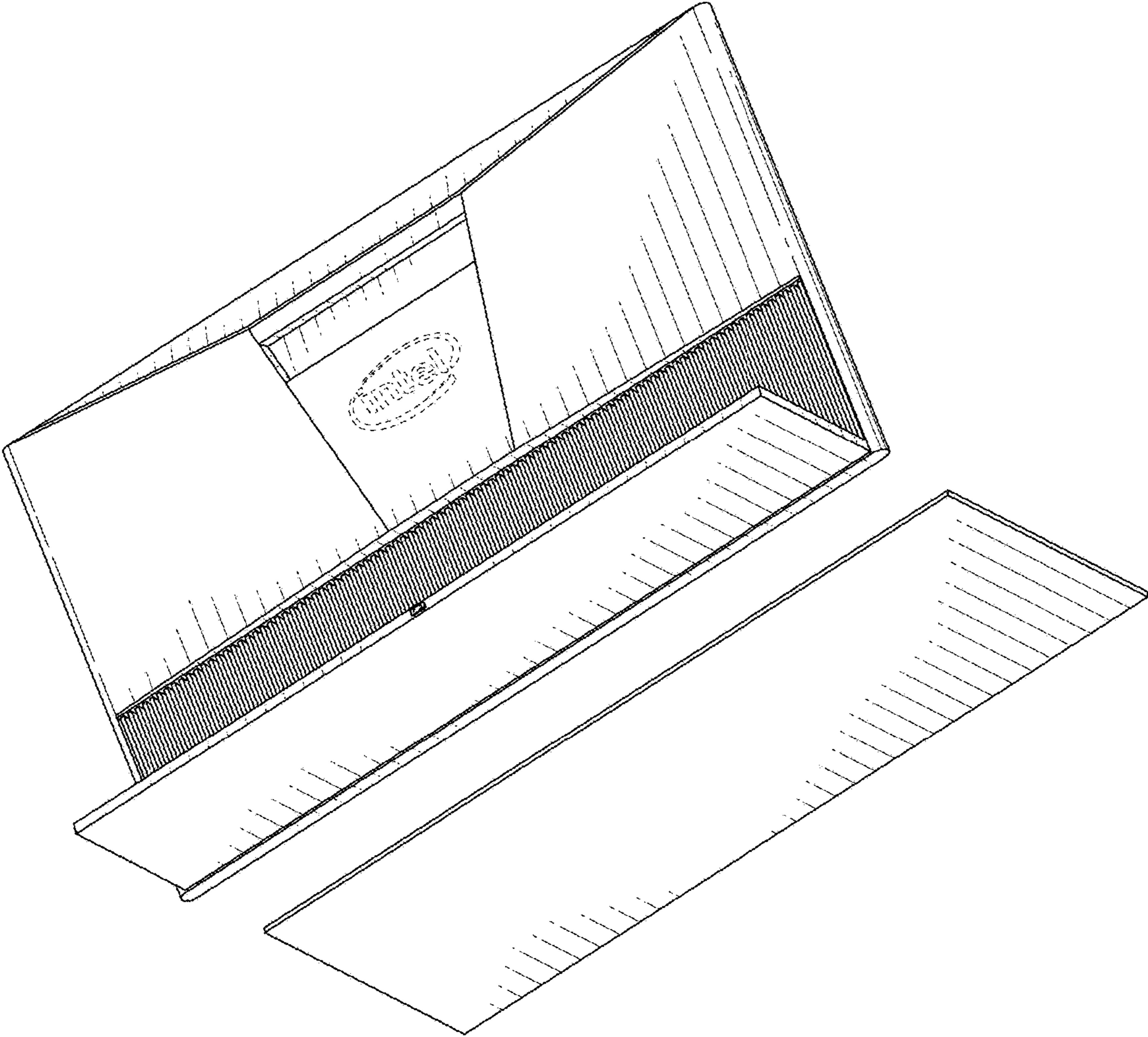


FIG. 9



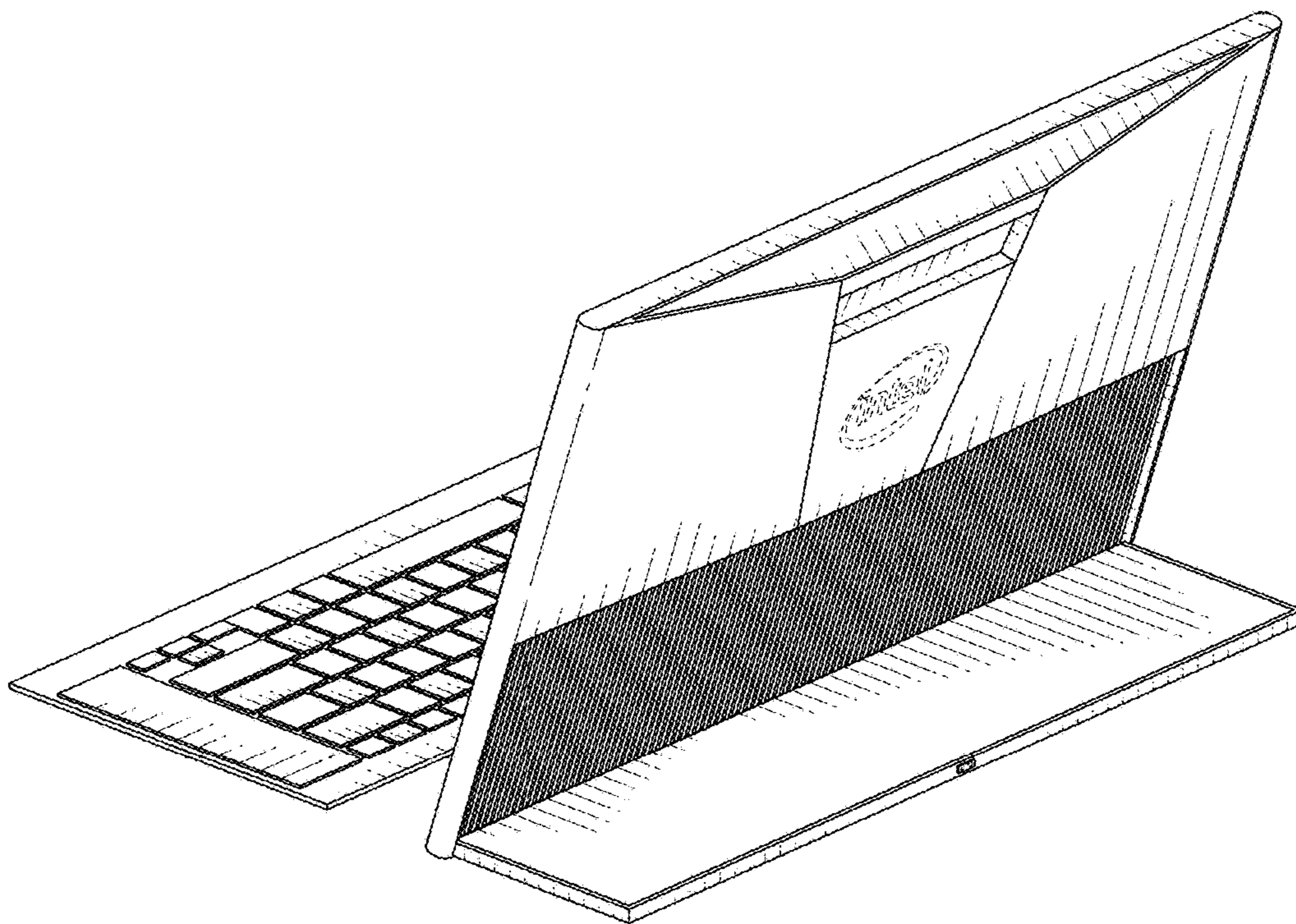


FIG. 10

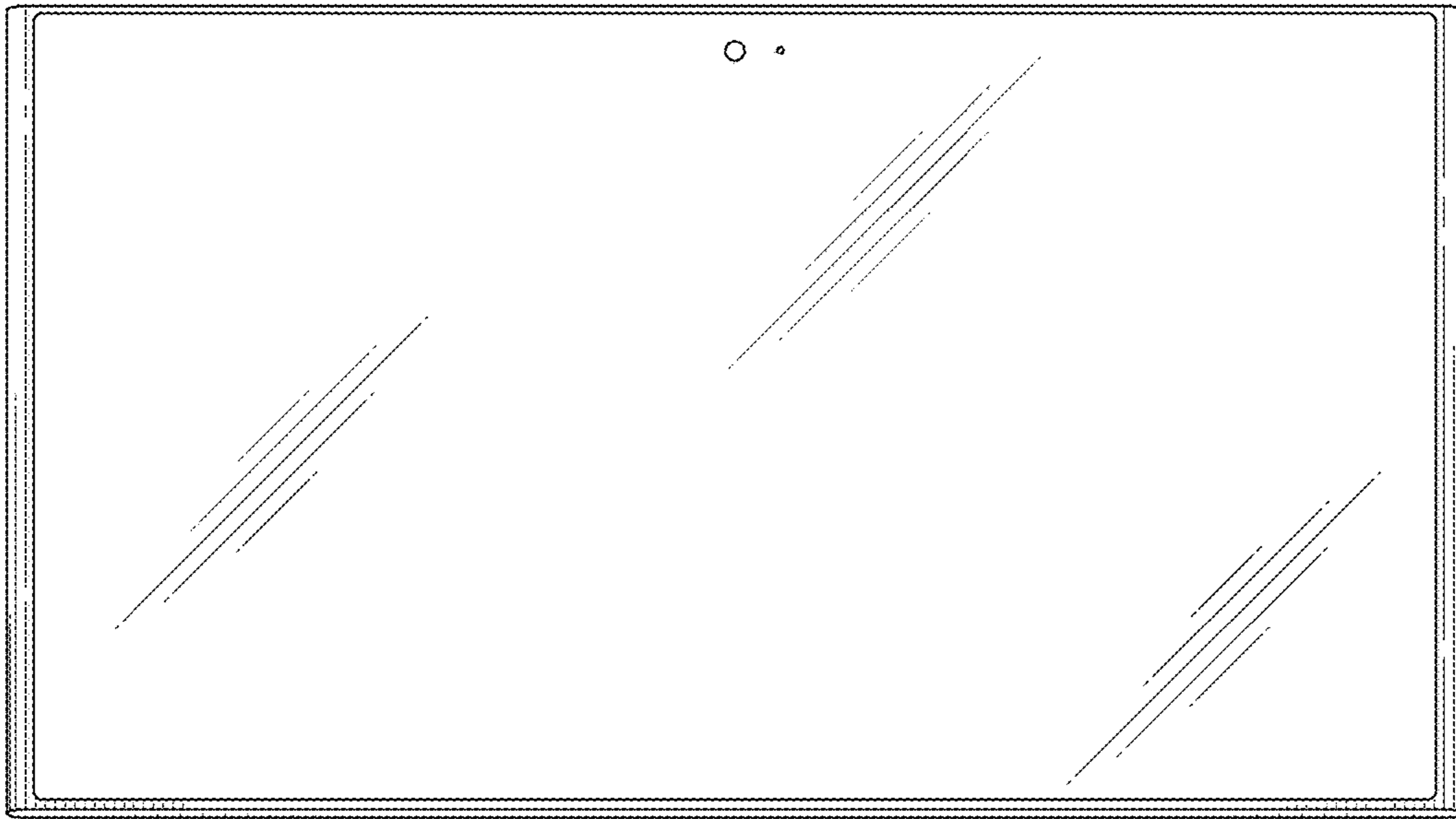


FIG. 11

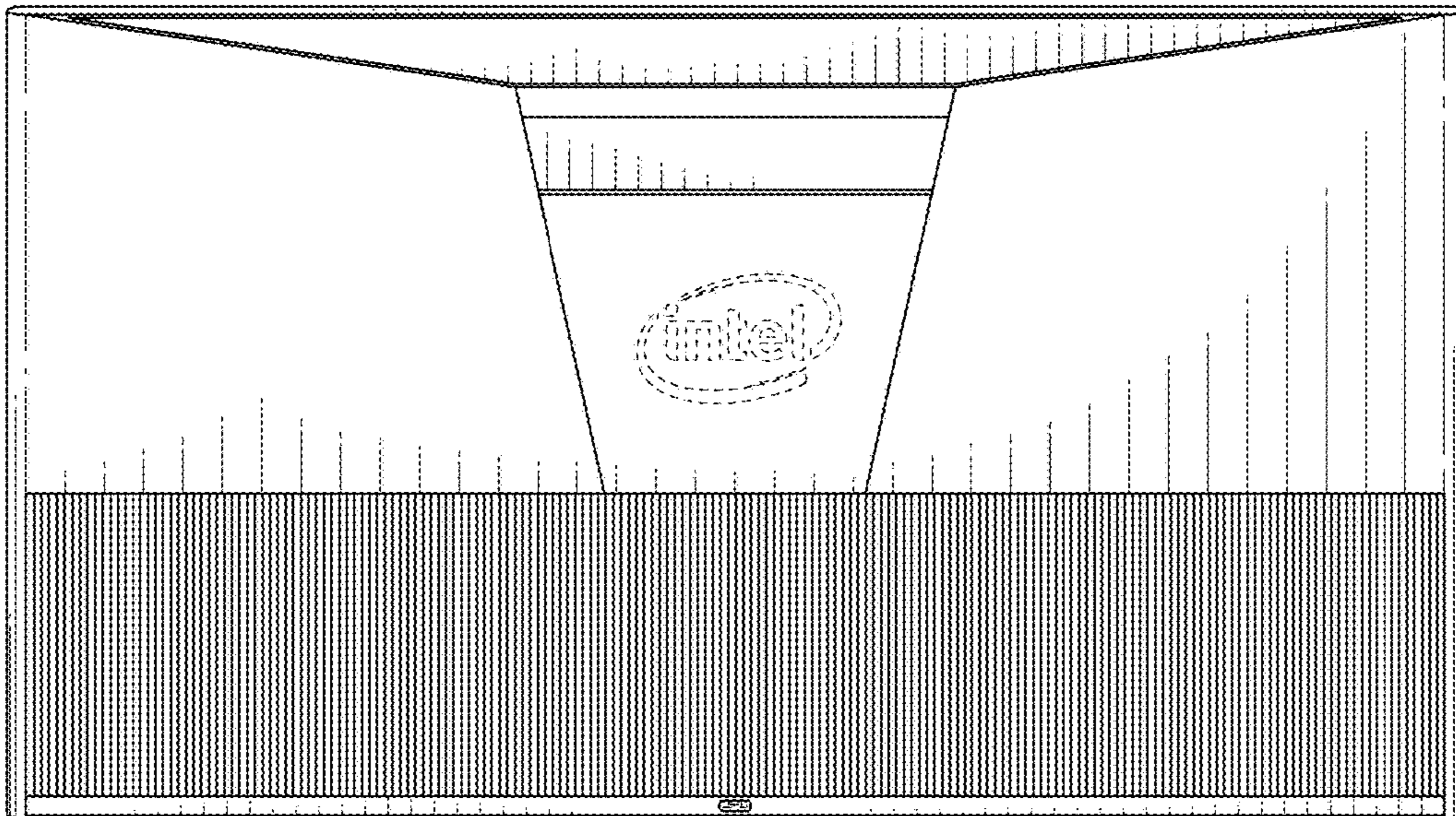


FIG. 12

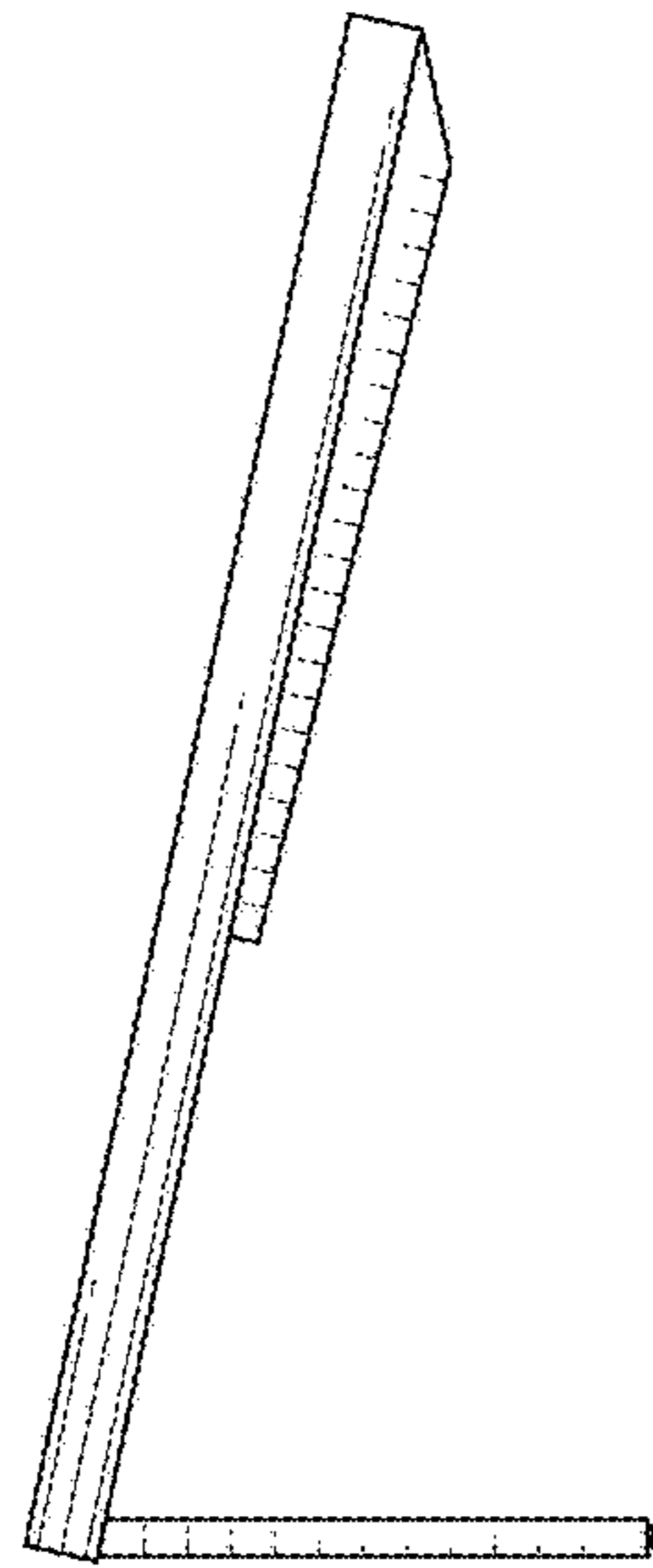


FIG. 13

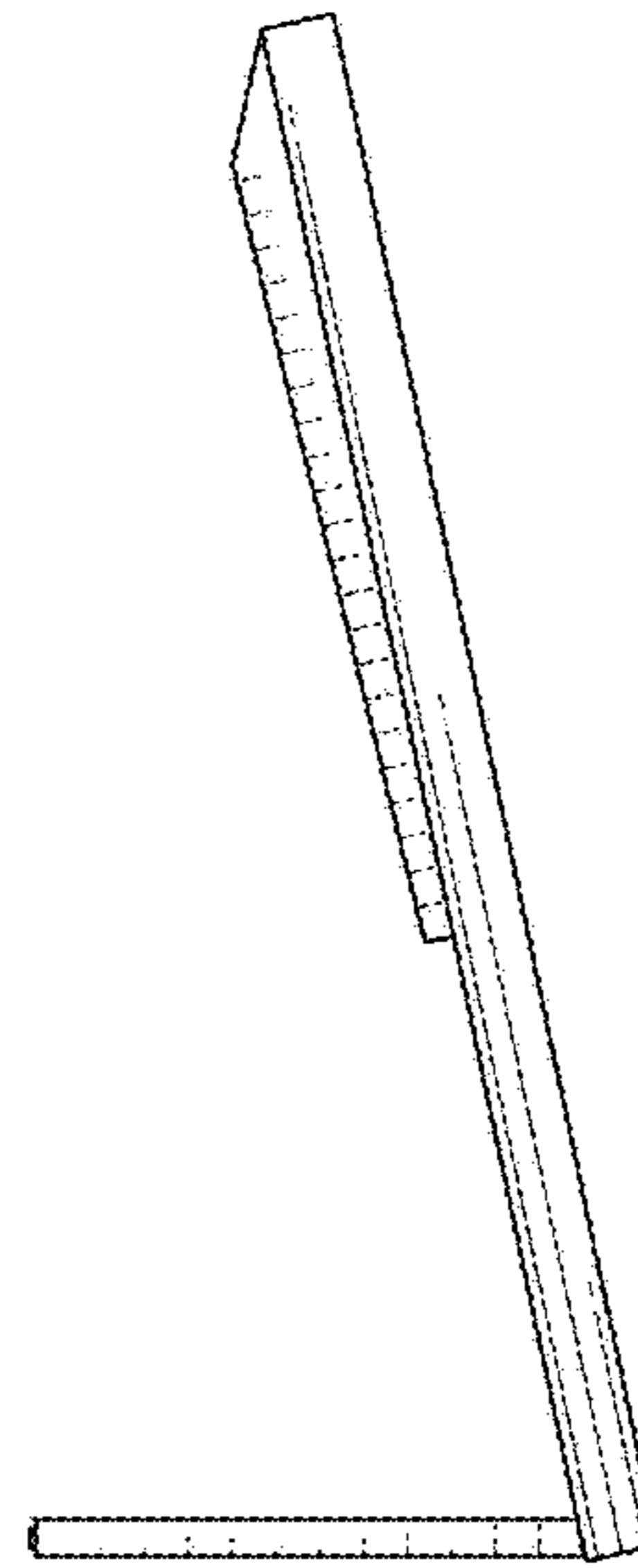


FIG. 14

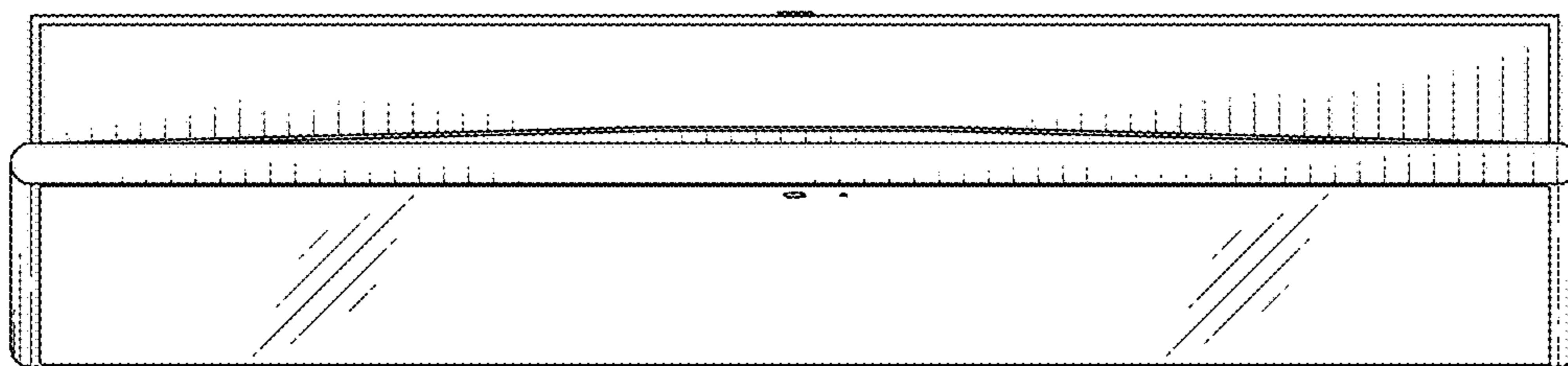


FIG. 15

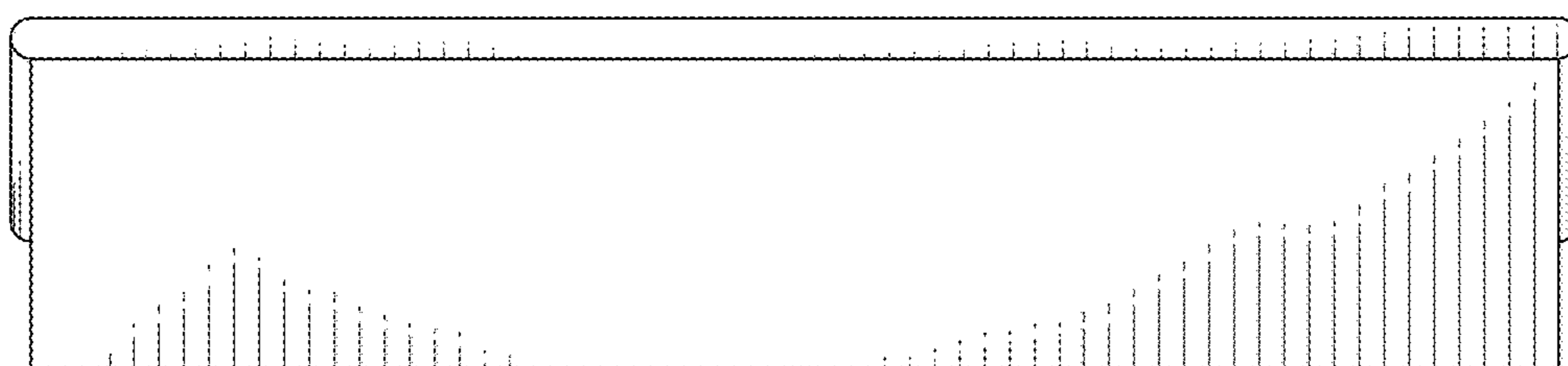


FIG. 16

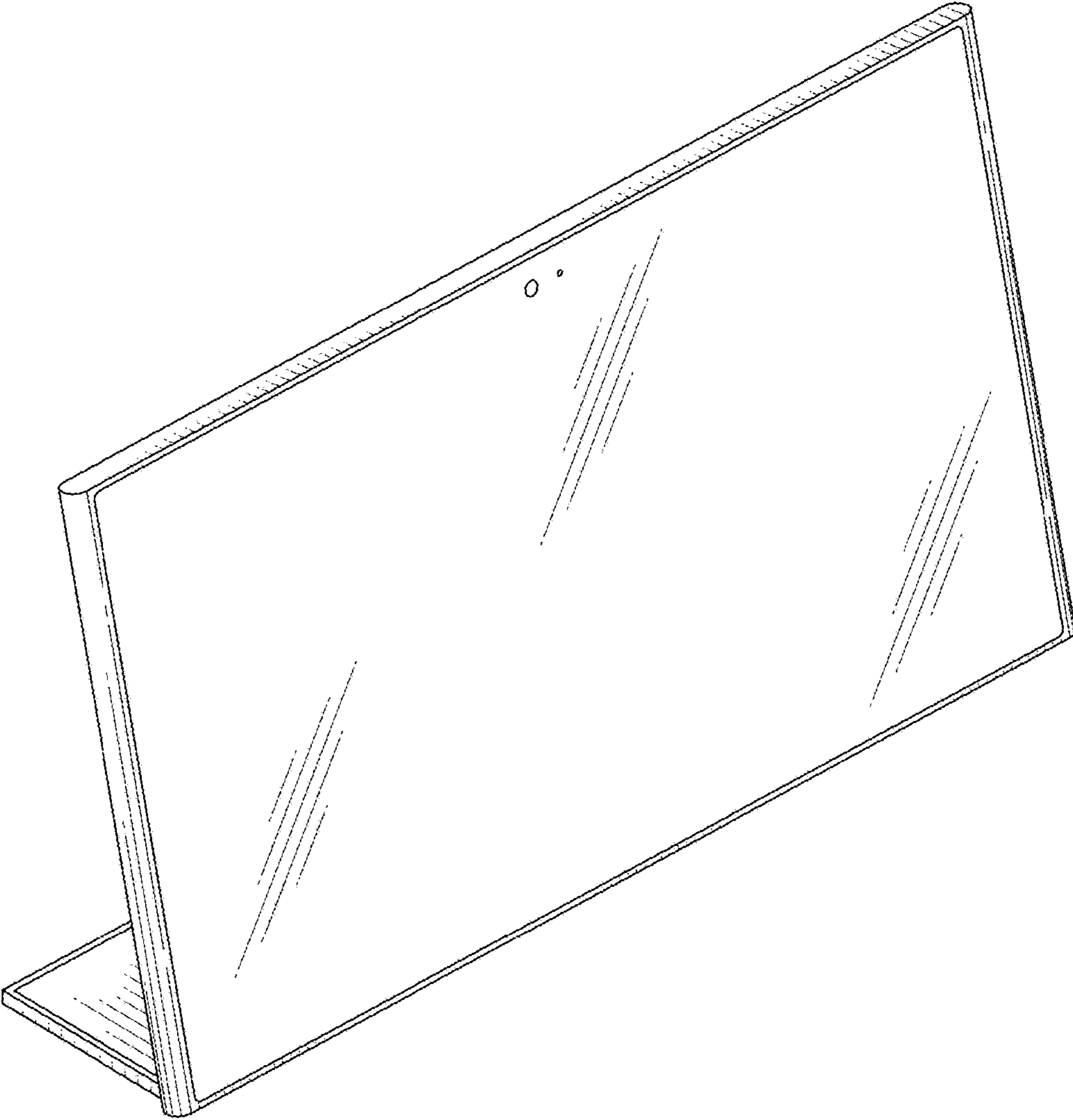


FIG. 17



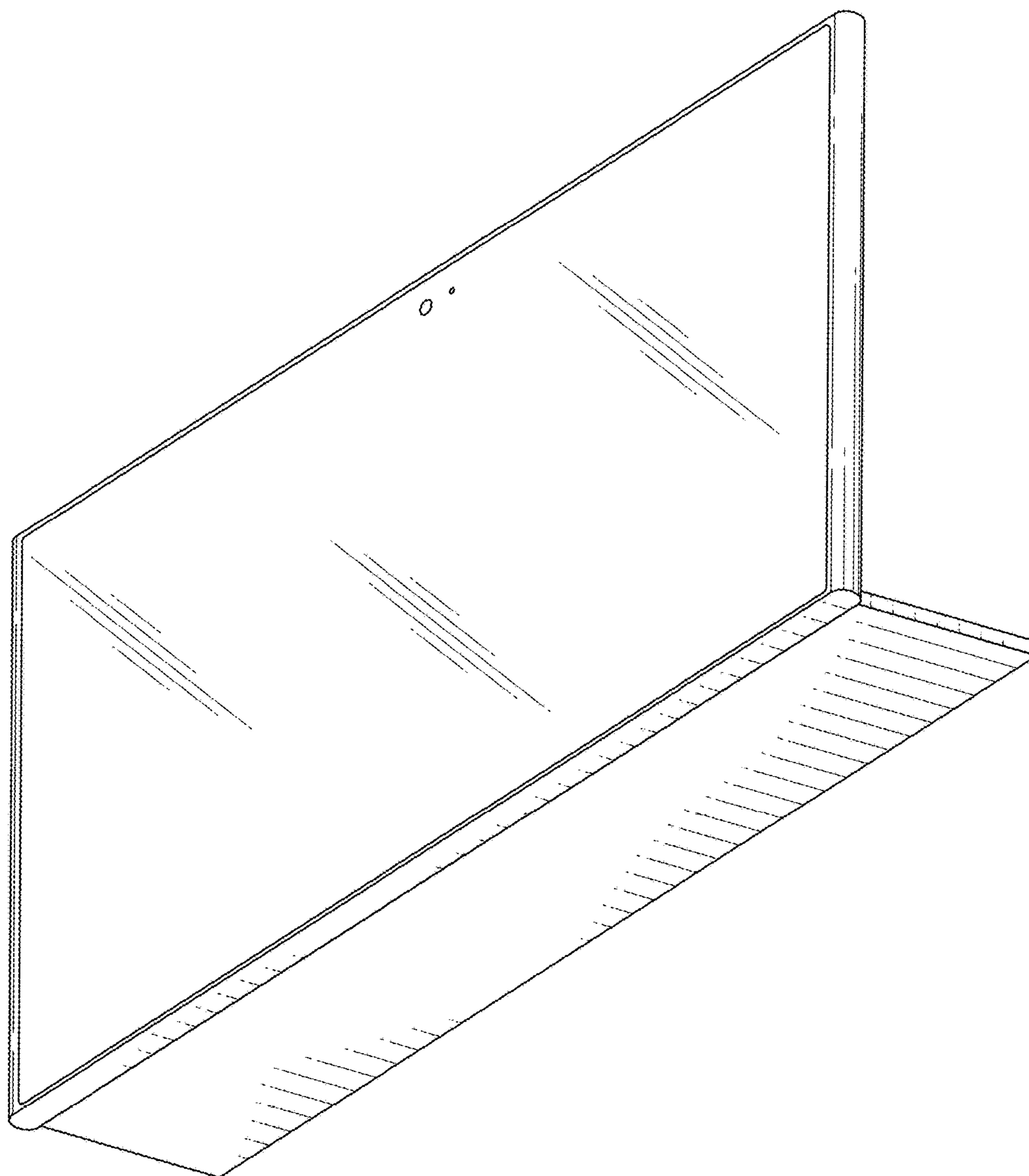


FIG. 18

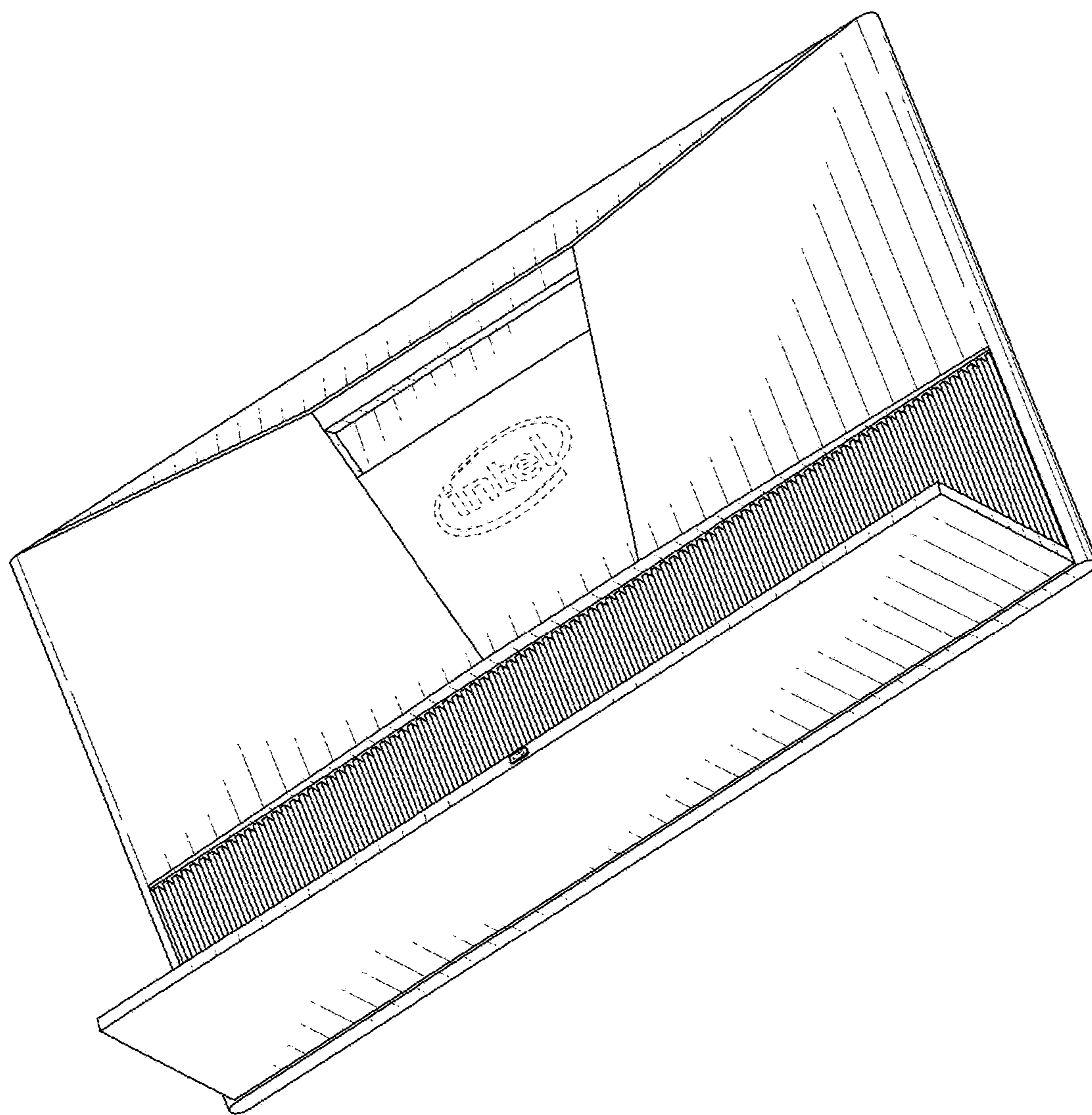


FIG. 19

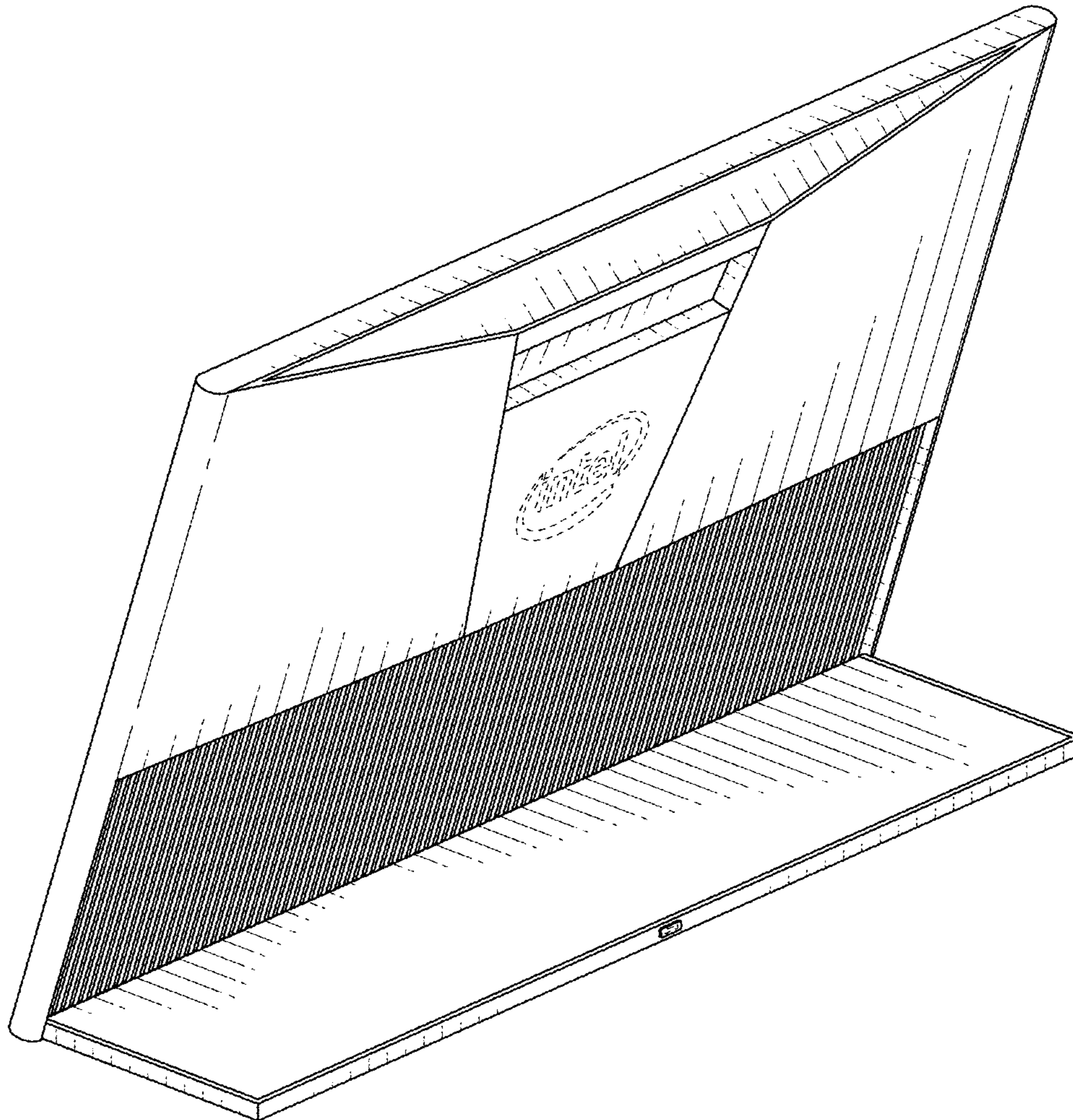


FIG. 20

UNITED STATES PATENT AND TRADEMARK OFFICE  
**CERTIFICATE OF CORRECTION**

PATENT NO. : D843,367 S  
APPLICATION NO. : 29/625973  
DATED : March 19, 2019  
INVENTOR(S) : Magi et al.

Page 1 of 1

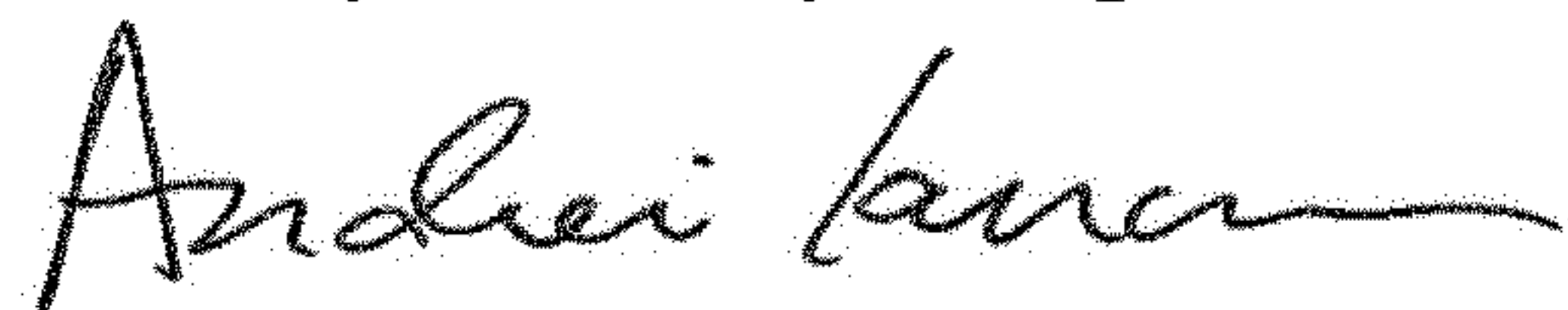
It is certified that error appears in the above-identified patent and that said Letters Patent is hereby corrected as shown below:

On the Title Page

In Column 2, under "Description", Line 2, delete "use;" and insert --use.-- therefor

In Column 2, under "Description", Line 14, delete "FIG. 12." and insert --FIG. 12-- therefor

Signed and Sealed this  
Twenty-first Day of April, 2020



Andrei Iancu  
*Director of the United States Patent and Trademark Office*