



US00D843366S

(12) **United States Design Patent** (10) **Patent No.:** **US D843,366 S**
Koltsov (45) **Date of Patent:** **** Mar. 19, 2019**

(54) **DATA PROCESSING EQUIPMENT**

(71) Applicant: **TELEPLAN TECHNOLOGY B.V.**,
Schipol (NL)

(72) Inventor: **Mihhail Koltsov**, Tallinn Harjumaa
(EE)

(**) Term: **15 Years**

(21) Appl. No.: **35/501,676**

(22) Filed: **Jul. 28, 2016**

(80) **Hague Agreement Data**

Int. Filing Date: **Jul. 28, 2016**

Int. Reg. No.: **DM/092695**

Int. Reg. Date: **Jul. 28, 2016**

Int. Reg. Pub. Date: **Oct. 7, 2016**

(30) **Foreign Application Priority Data**

Feb. 16, 2016 (EM) 002987768-0001

(51) **LOC (11) Cl.** **14-02**

(52) **U.S. Cl.**
USPC **D14/307**
CPC **G09F 13/10** (2013.01)

(58) **Field of Classification Search**
USPC D14/300, 301, 302, 307, 308, 314, 315,
D14/316, 327; D99/28, 43; 348/77;
382/116, 124; 726/26
CPC G09F 13/00
See application file for complete search history.

(56) **References Cited**

U.S. PATENT DOCUMENTS

D273,866 S * 5/1984 LaDue D14/307
D573,986 S * 7/2008 Sasaki D14/307
D590,387 S * 4/2009 Chen D14/307
D591,078 S * 4/2009 Singler D14/307
D605,189 S * 12/2009 Kuroda D14/307

D605,191 S * 12/2009 Kuroda D14/307
D617,575 S * 6/2010 Dreyer D14/307
D625,305 S * 10/2010 Bleck D14/307
D628,742 S * 12/2010 Hsu D14/307
D628,764 S * 12/2010 Bleck D14/307
D629,585 S * 12/2010 Bleck D14/307
D631,634 S * 1/2011 Bleck D14/307
D645,223 S * 9/2011 Bleck D14/307
D671,595 S * 11/2012 O'Hara D14/307
D695,285 S * 12/2013 Smith D14/307
D695,733 S * 12/2013 Damhuis D14/307
D702,675 S * 4/2014 Jones D14/307
D707,012 S * 6/2014 Swaine D99/28
D707,674 S * 6/2014 Daniel D14/307
D708,676 S * 7/2014 Ballman D14/307
D717,784 S * 11/2014 Collins D14/307
D721,695 S * 1/2015 Birgeoglu D14/307
D721,696 S * 1/2015 Birgeoglu D14/307
D723,025 S * 2/2015 Birgeoglu D14/307
D723,538 S * 3/2015 Catoe D14/307
D726,706 S * 4/2015 Kraft D14/307
D732,520 S * 6/2015 Themann D14/307
D743,956 S * 11/2015 Kraft D14/307
D760,711 S * 7/2016 Berini D14/307
D774,504 S * 12/2016 Hoover D14/307
D778,276 S * 2/2017 Berini D14/307

(Continued)

Primary Examiner — Richard E Chilcot

(74) *Attorney, Agent, or Firm* — Yakov S. Sidorin;
Quarles & Brady LLP

(57) **CLAIM**

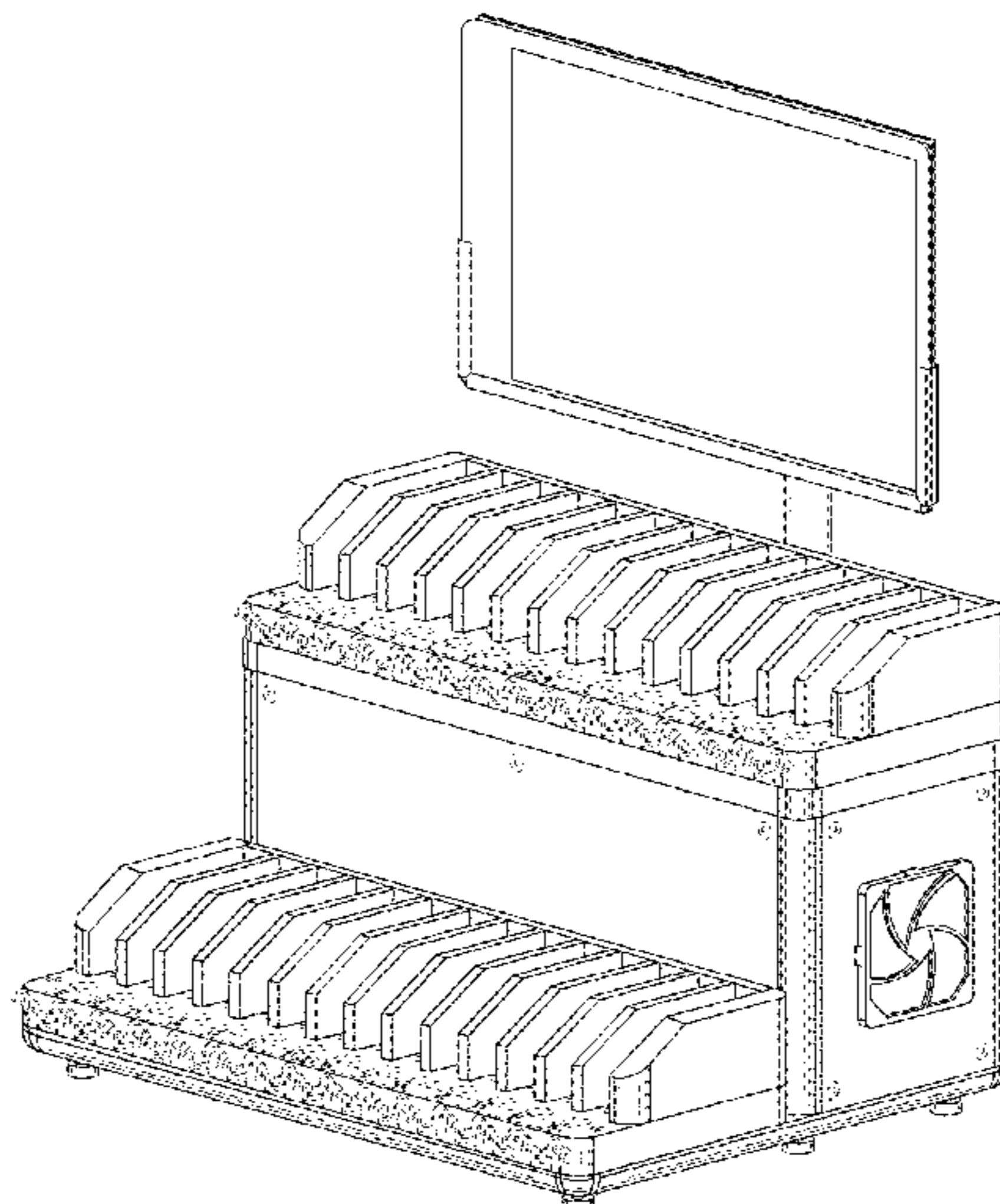
The ornamental design for a data processing equipment, as shown and described.

DESCRIPTION

1. Data processing equipment
Fig. 1.1 is a top view of the design; Fig. 1.2 is a left view of the design; Fig. 1.3 is a right view of the design; Fig. 1.4 is a rear view of the design; Fig. 1.5 is a bottom view of the design; Fig. 1.6 is a front view and Fig. 1.7 is a perspective view of the design.

The broken lines depict portions of the article that form no part of the claimed design.

1 Claim, 7 Drawing Sheets



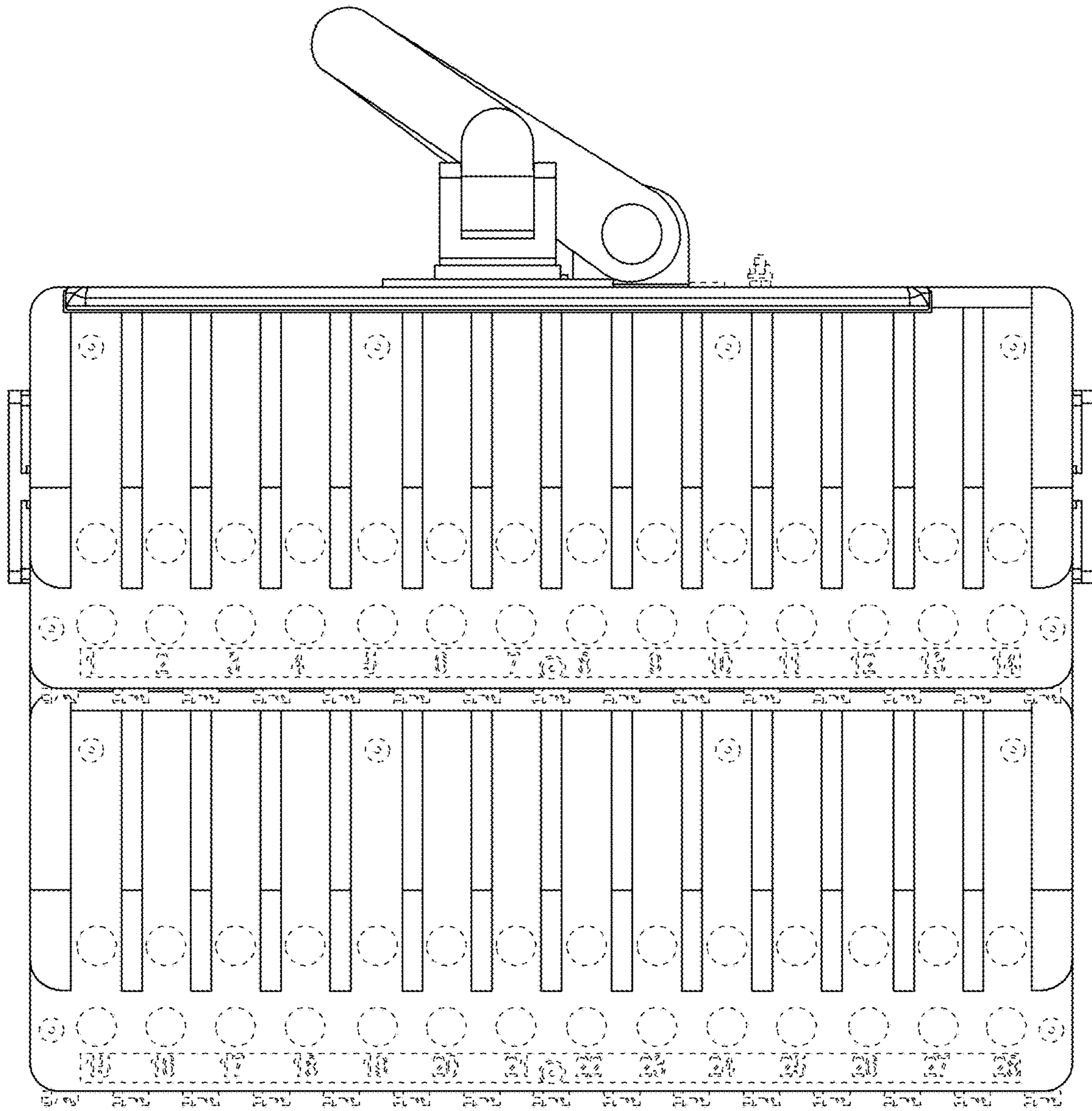
(56)

References Cited

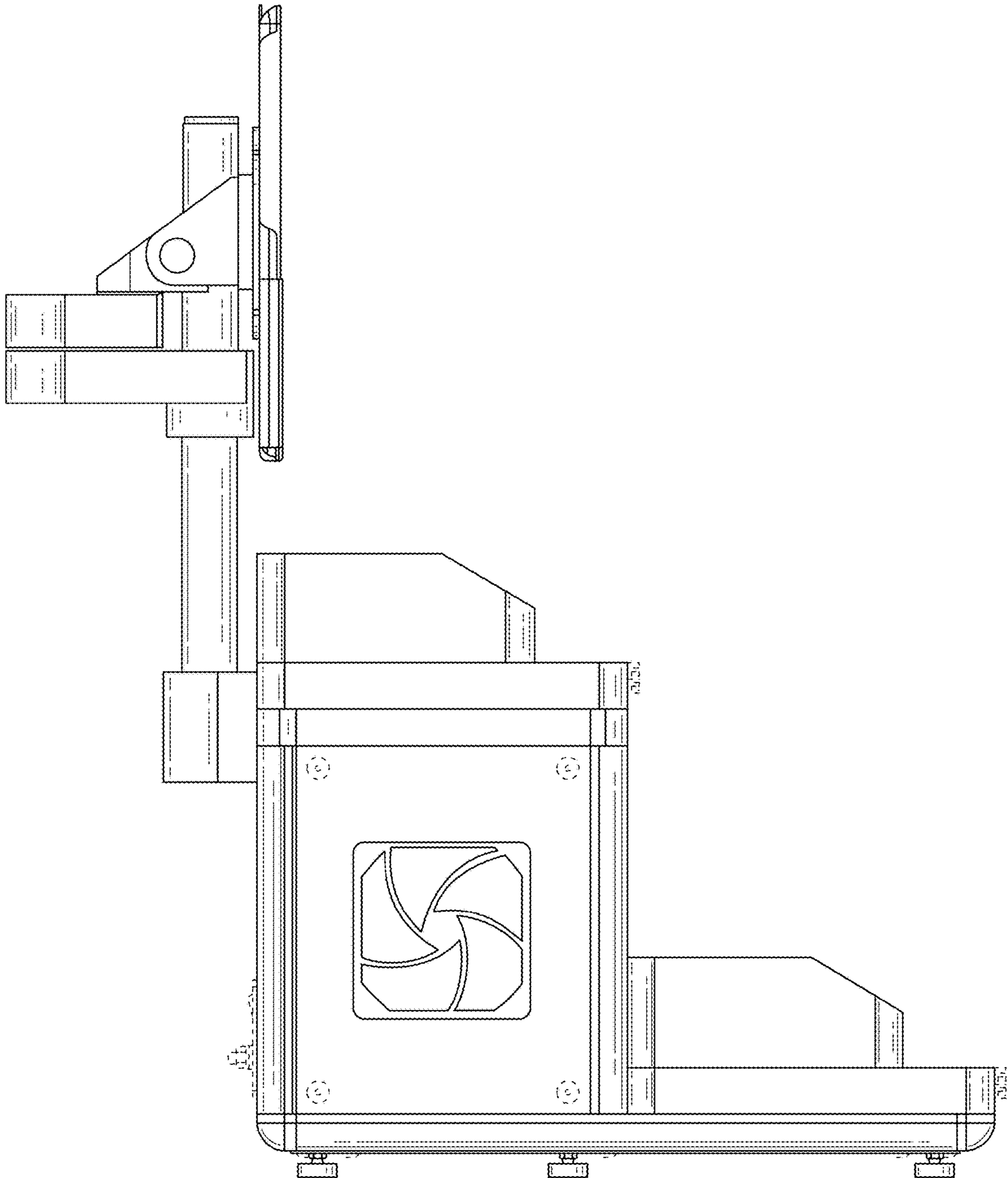
U.S. PATENT DOCUMENTS

D788,098 S * 5/2017 Thornton D14/307
D790,530 S * 6/2017 Mangeot D14/307
2012/0293642 A1* 11/2012 Berini G06F 21/32
348/77
2013/0215275 A1* 8/2013 Berini G06F 21/32
348/150

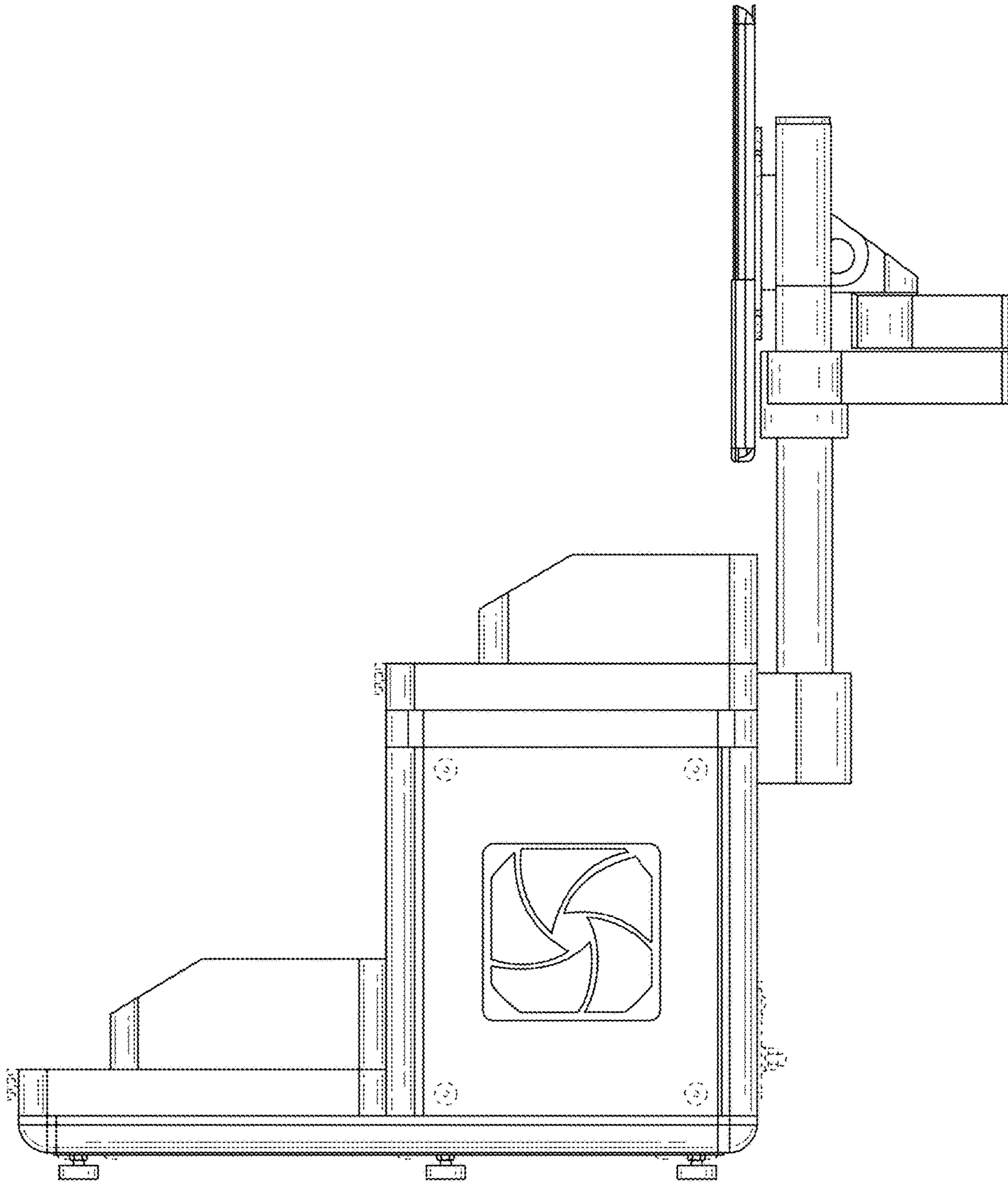
* cited by examiner



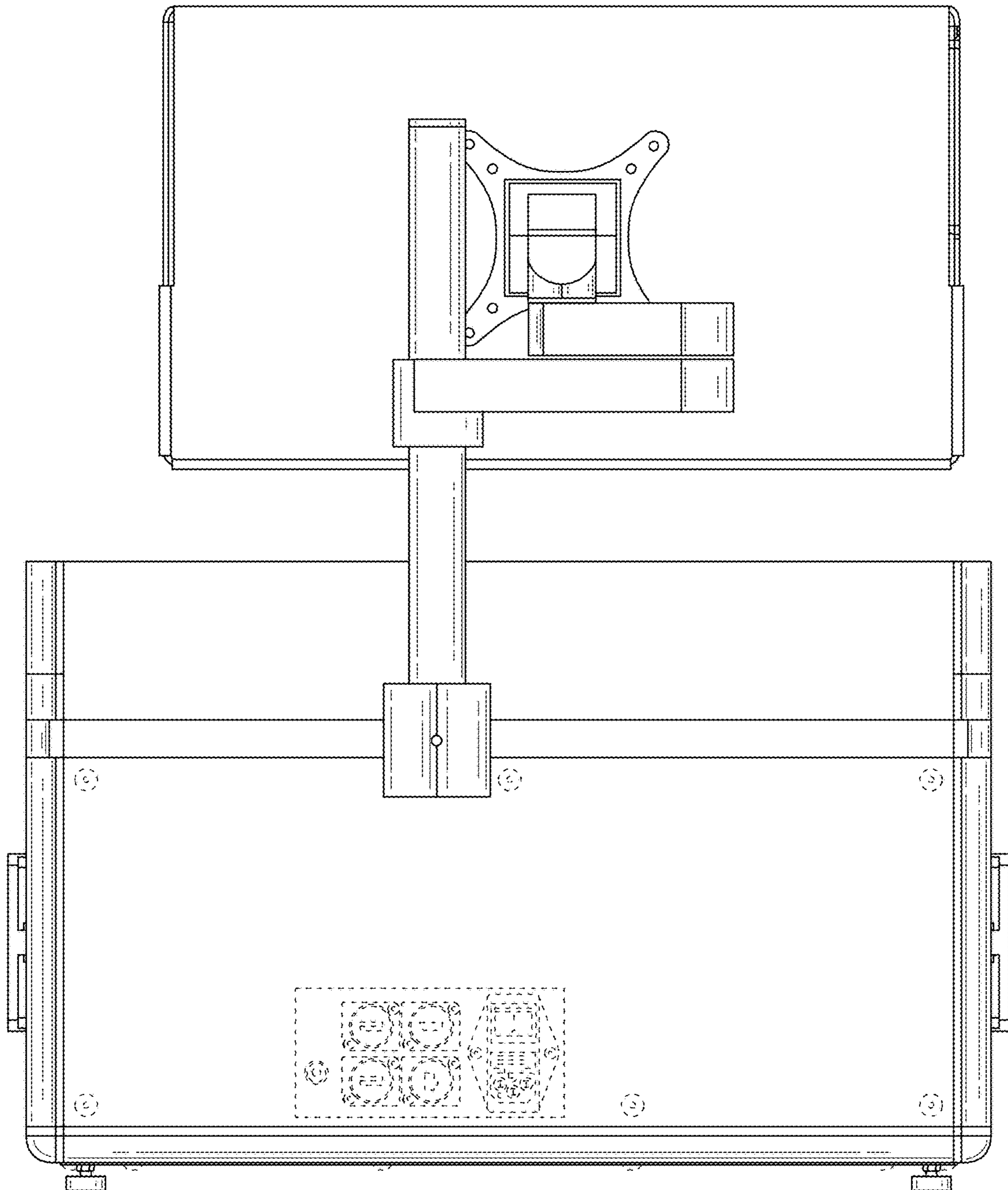
1.1



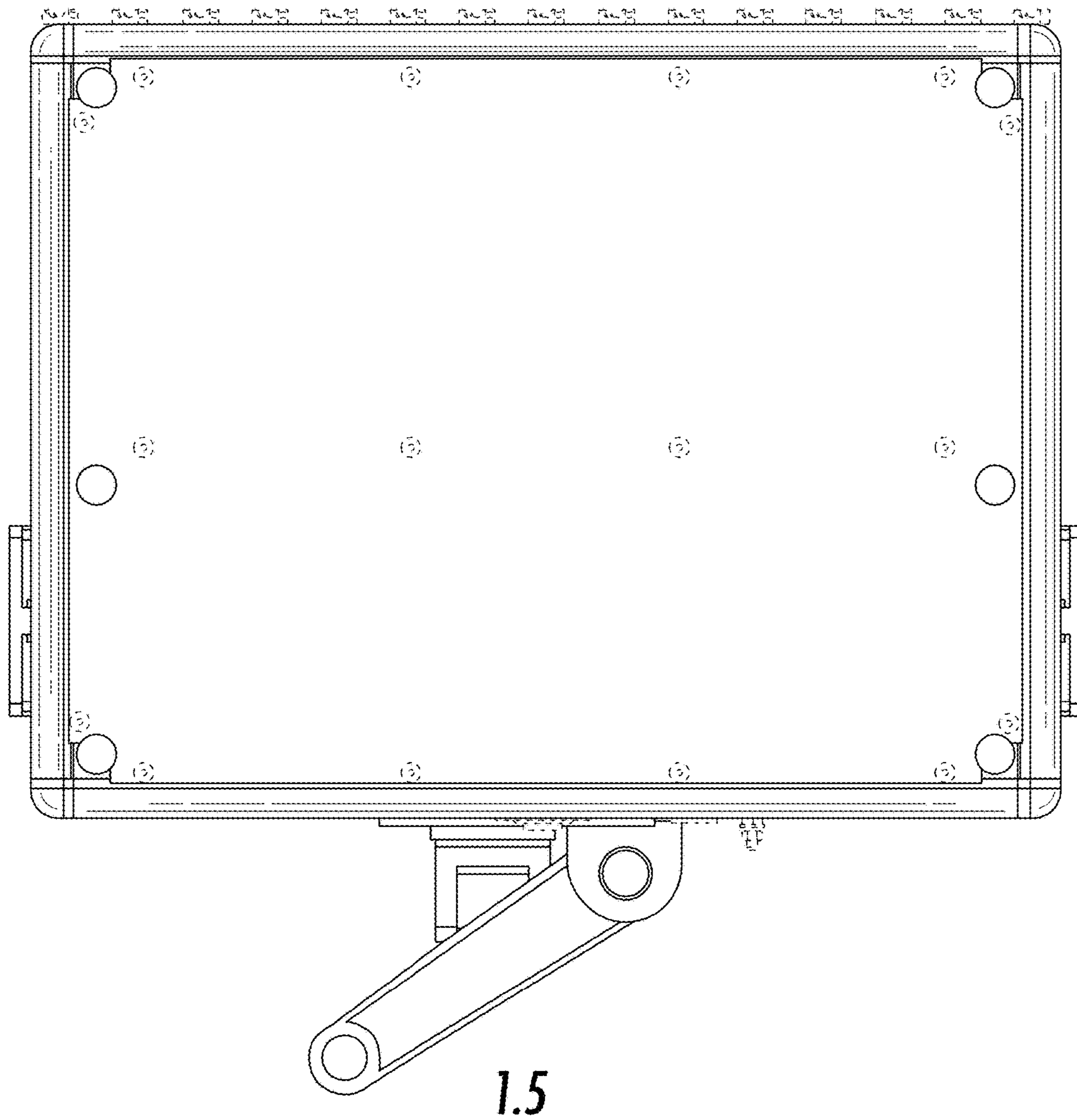
1.2

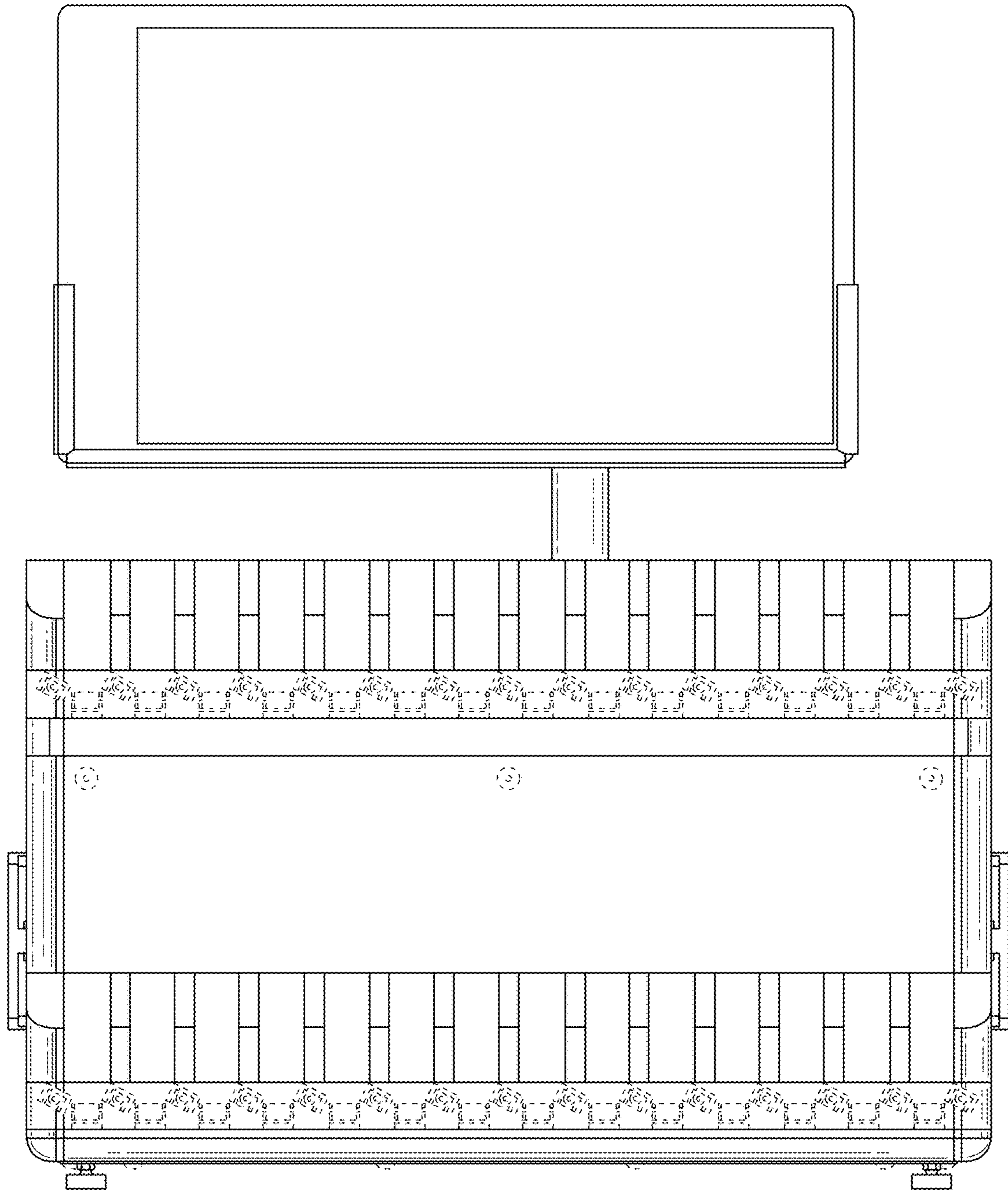


1.3

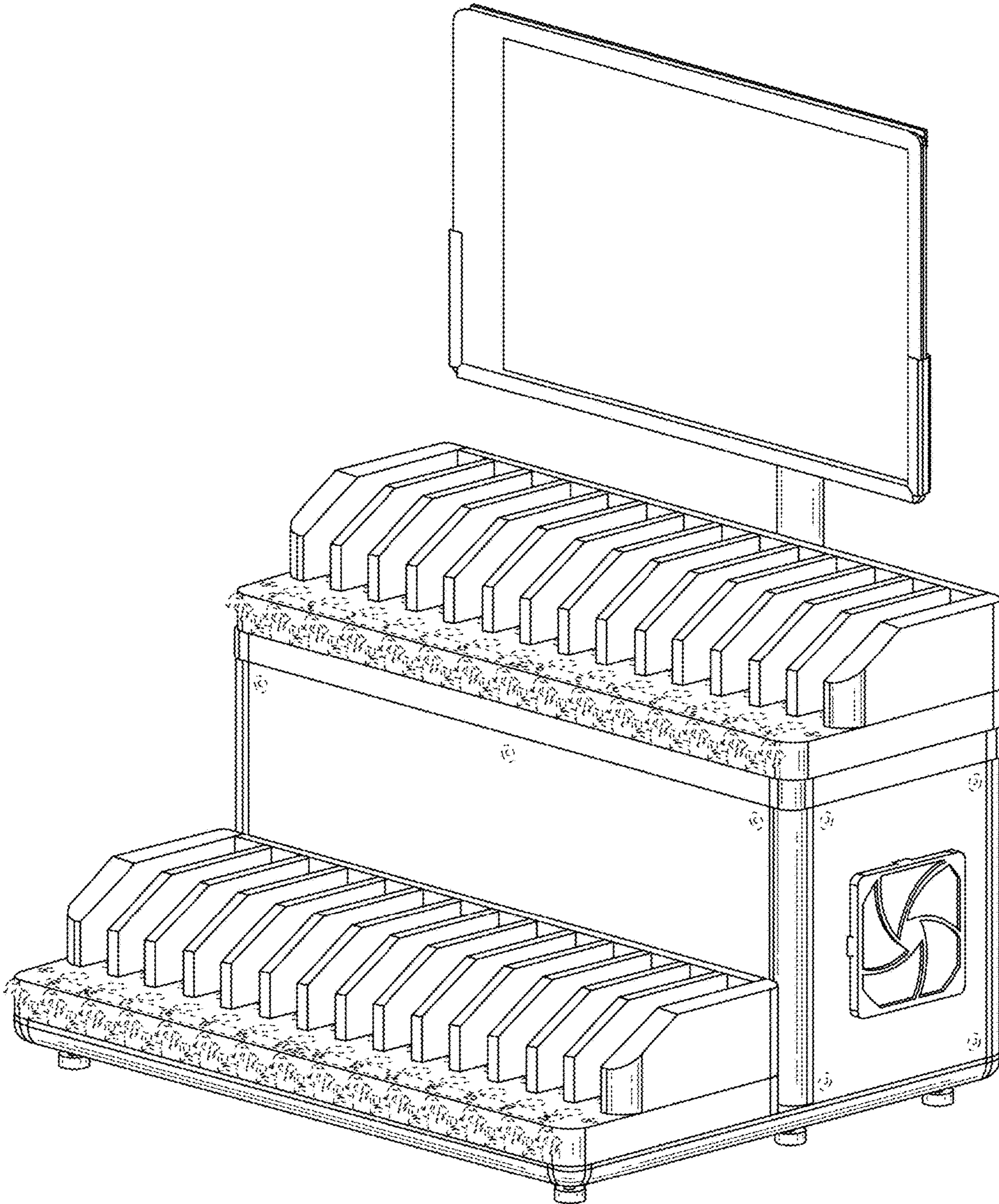


1.4





1.6



1.7

UNITED STATES PATENT AND TRADEMARK OFFICE
CERTIFICATE OF CORRECTION

PATENT NO. : D843,366 S
APPLICATION NO. : 35/501676
DATED : March 19, 2019
INVENTOR(S) : Mihhail Koltsov

Page 1 of 1

It is certified that error appears in the above-identified patent and that said Letters Patent is hereby corrected as shown below:

On the Title Page

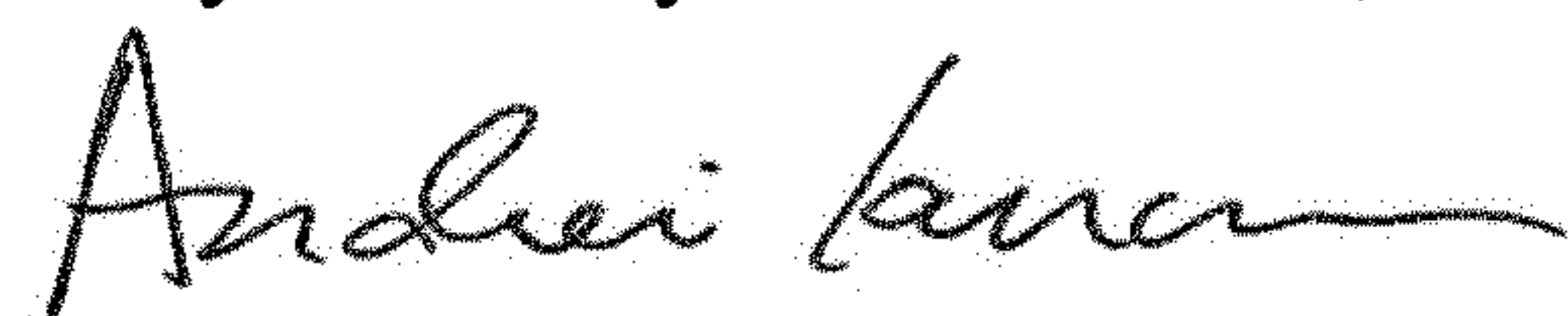
In the Description:

Line 3: "the design; Fig. 1.3 us a right view of" should read
-- the design; Fig. 1.3 is a right view of --

Line 5: "design; Fig. 1.6 is affront view" should read
-- design; Fig. 1.6 is a front view --

Line 7: "The broken lines depict portions of the article than" should read
-- The broken lines depict portions of the article that --

Signed and Sealed this
Thirty-first Day of December, 2019



Andrei Iancu
Director of the United States Patent and Trademark Office