



US00D843364S

(12) **United States Design Patent** (10) **Patent No.:** **US D843,364 S**  
**Sasaki et al.** (45) **Date of Patent:** **\*\* Mar. 19, 2019**

(54) **COVER FOR A MOBILE DEVICE WITH  
REMOVABLE DISPLAY PROTECTION**

(71) Applicant: **STMEC, LLC**, Poway, CA (US)

(72) Inventors: **Jeff Sasaki**, San Diego, CA (US);  
**Danny Yu**, San Bruno, CA (US)

(73) Assignee: **STMEC, LLC**, Poway, CA (US)

(\*\*) Term: **15 Years**

(21) Appl. No.: **29/615,336**

(22) Filed: **Aug. 28, 2017**

(51) **LOC (11) Cl.** ..... **14-03**

(52) **U.S. Cl.**  
USPC ..... **D14/250**

(58) **Field of Classification Search**  
USPC ..... **D14/250**

(Continued)

(56) **References Cited**

**U.S. PATENT DOCUMENTS**

D577,904 S \* 10/2008 Sasaki ..... D3/201

D748,613 S \* 2/2016 Sasaki ..... D14/250

(Continued)

**OTHER PUBLICATIONS**

Element Case EMT-322-175EY-02 Formula Drop Tested Case for iPhone X, posted at amazon.com, posting date by Nov. 24, 2017, [online], [site visited Oct. 9, 2018]. Available from Internet, URL: <https://www.amazon.com/Element-Case-EMT-322-175EY-02-Formula-Tested/dp/B076QQVZYZ/> (Year: 2017).\*

(Continued)

*Primary Examiner* — George D. Kirschbaum

*Assistant Examiner* — Maria J Edwards

(74) *Attorney, Agent, or Firm* — Marsh Fischmann & Breyfogle LLP

(57) **CLAIM**

The ornamental design for a cover for a mobile device with removable display protection, as shown and described.

**DESCRIPTION**

FIG. 1 is a front perspective view of a cover for a mobile device with removable display protection in a first position; FIG. 2 is a front view of the cover for a mobile device with removable display protection in the first position; FIG. 3 is a rear view of the cover for a mobile device with removable display protection in the first position; FIG. 4 is a right side view of the cover for a mobile device with removable display protection in the first position; FIG. 5 is a left side view of the cover for a mobile device with removable display protection in the first position; FIG. 6 is a top view of the cover for a mobile device with removable display protection in the first position; FIG. 7 is a bottom view of the cover for a mobile device with removable display protection in the first position; FIG. 8 is a front perspective view of the cover for a mobile device with removable display protection in a second position; FIG. 9 is a front view of the cover for a mobile device with removable display protection in the second position; FIG. 10 is a rear view of the cover for a mobile device with removable display protection in the second position; FIG. 11 is a right side view of the cover for a mobile device with removable display protection in the second position; FIG. 12 is a left side view of the cover for a mobile device with removable display protection in the second position; FIG. 13 is a top view of the cover for a mobile device with removable display protection in the second position; FIG. 14 is a bottom view of the cover for a mobile device with removable display protection in the second position; FIG. 15 is a front perspective view of the cover for a mobile device with removable display protection in an exploded configuration; FIG. 16 is a front view of the cover for a mobile device with removable display protection in the exploded configuration; FIG. 17 is a rear view of the cover for a mobile device with removable display protection in the exploded configuration;

(Continued)

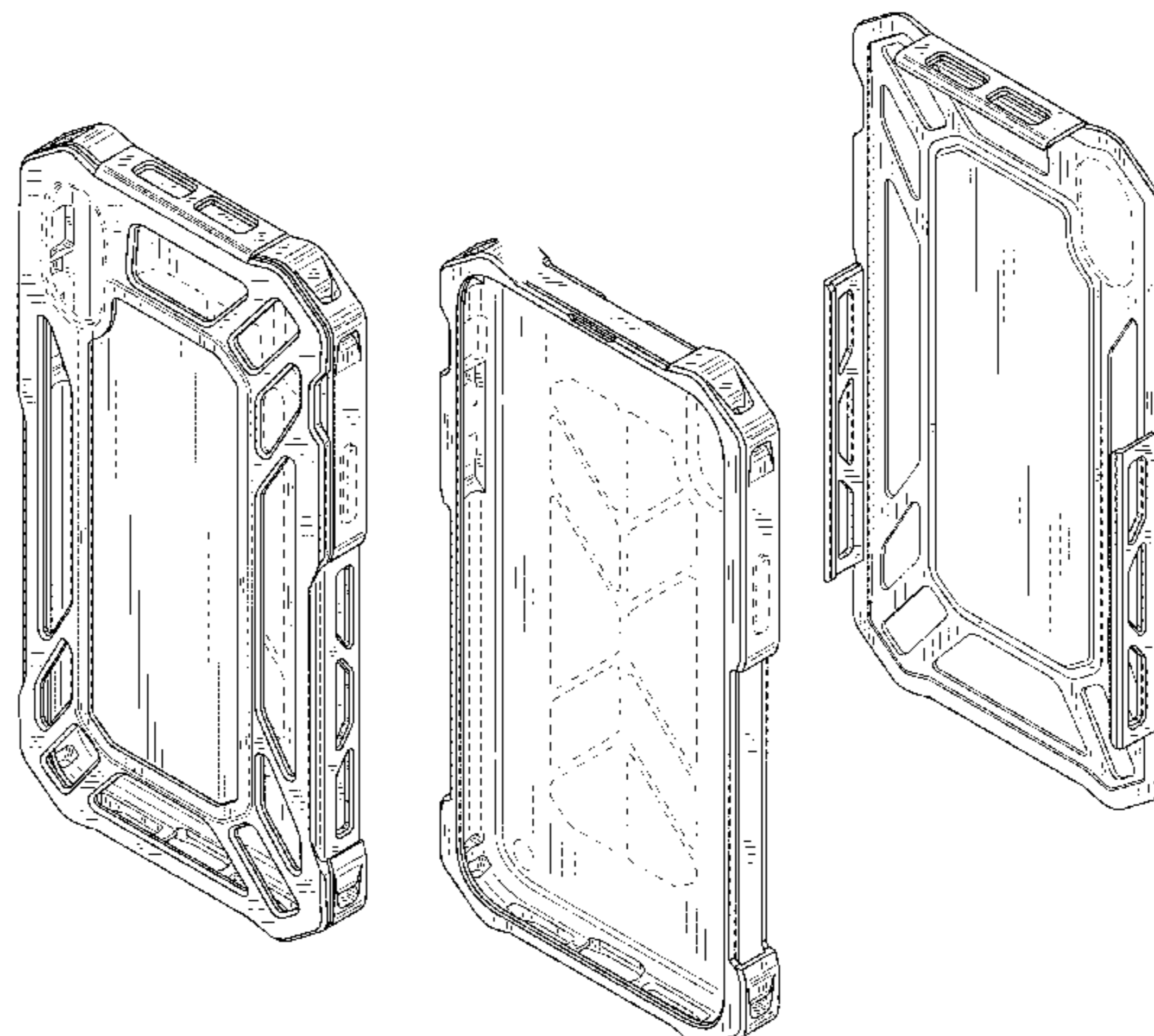


FIG. 18 is a right side view of the cover for a mobile device with removable display protection in the exploded configuration;

FIG. 19 is a left side view of the cover for a mobile device with removable display protection in the exploded configuration;

FIG. 20 is a top view of the cover for a mobile device with removable display protection in the exploded configuration; and,

FIG. 21 is a bottom view of the cover for a mobile device with removable display protection in the exploded configuration.

The broken lines represent portions of the cover for a mobile device with removable display protection and form no part of the claimed design.

**1 Claim, 19 Drawing Sheets**

(58) **Field of Classification Search**

CPC ..... H04B 1/385; H04M 1/04; H04M 1/6033; B29L 2031/3437

See application file for complete search history.

(56) **References Cited**

U.S. PATENT DOCUMENTS

D755,772	S	*	5/2016	Sasaki	.....	D14/250
D766,885	S	*	9/2016	Armstrong	.....	D14/250
D767,551	S	*	9/2016	Sasaki	.....	D14/250
D767,552	S	*	9/2016	Sasaki	.....	D14/250
D785,612	S	*	5/2017	Kim	.....	D14/248

D786,230	S	*	5/2017	Yang	.....	D14/250
D794,625	S	*	8/2017	Armstrong	.....	D14/250
D794,626	S	*	8/2017	Armstrong	.....	D14/250
D808,374	S	*	1/2018	Lee	.....	D14/250
D816,654	S	*	5/2018	Chen	.....	D14/250
D820,820	S	*	6/2018	Ahn	.....	D14/250
D820,821	S	*	6/2018	Ahn	.....	D14/250
D824,893	S	*	8/2018	Ahn	.....	D14/250
2012/0321294	A1	*	12/2012	Tages	.....	G03B 17/02 396/535
2013/0271922	A1	*	10/2013	Wilson	.....	H04M 1/185 361/724
2013/0292269	A1	*	11/2013	Tages	.....	A45C 11/00 206/37
2015/0068934	A1	*	3/2015	Armstrong	.....	A45C 11/00 206/320
2018/0037016	A1	*	2/2018	Kim	.....	H04B 1/3888

OTHER PUBLICATIONS

Element Case REV Drop Tested Case for Apple iPhone 7 Plus, posted at amazon.com, posting date by May 9, 2017, [online], [site visited Oct. 9, 2018]. Available from Internet, URL: <https://www.amazon.com/Element-Case-Tested-Apple-iPhone/dp/B071YDT4FX> (Year: 2017).\*

Element Case Roll Cage, posted at amazon.com, posting date by Nov. 6, 2017, [online], [site visited Oct. 9, 2018]. Available from Internet, URL: <https://www.amazon.com/Element-Case-Roll-Cage-iPhone/dp/B076W4NMQM> (Year: 2017).\*

Urban Armor Gear UAG Monarch Feather-Light Rugged iPhone Case, posting date by Oct. 19, 2017, [online], [site visited Oct. 9, 2018]. Available from Internet, URL: <https://www.amazon.com/URBAN-ARMOR-GEAR-5-8-inch-Feather-Light/dp/B07HFM1VSK> (Year: 2017).\*

\* cited by examiner

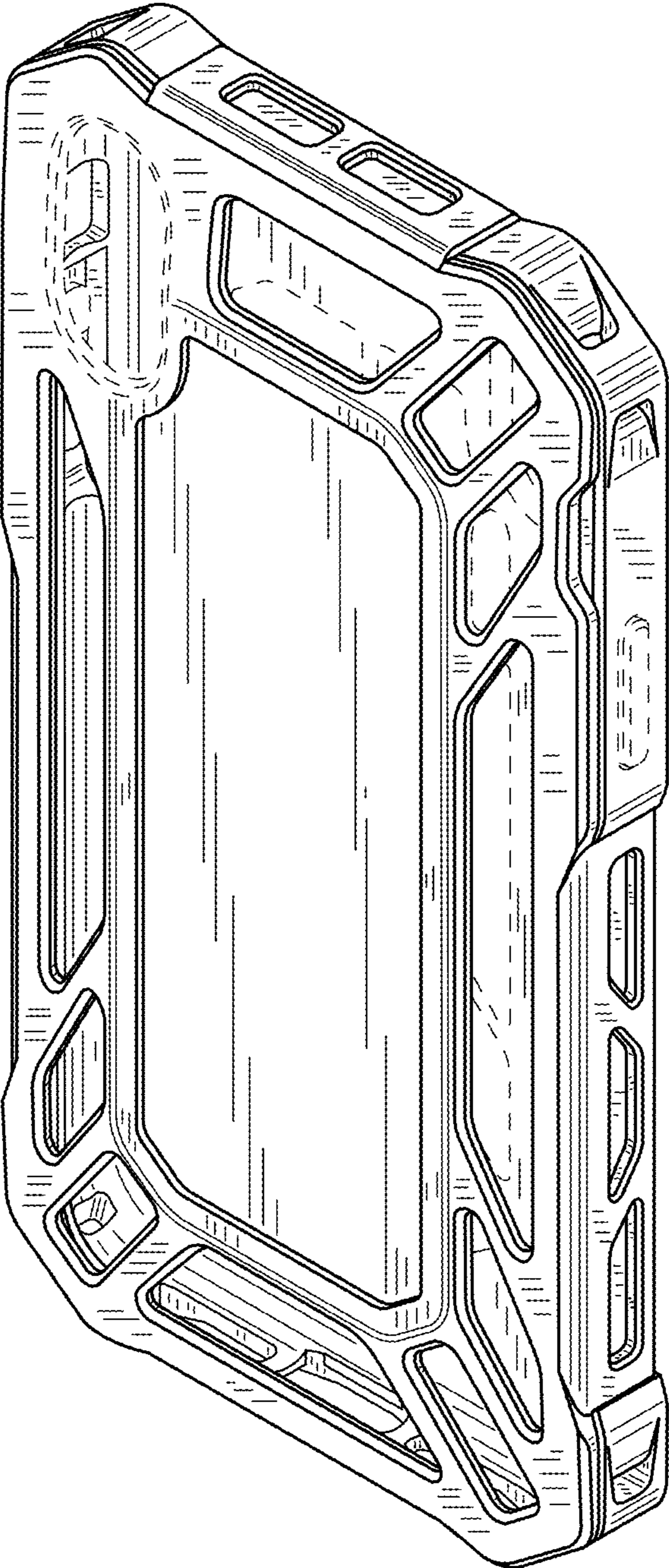


FIG.1

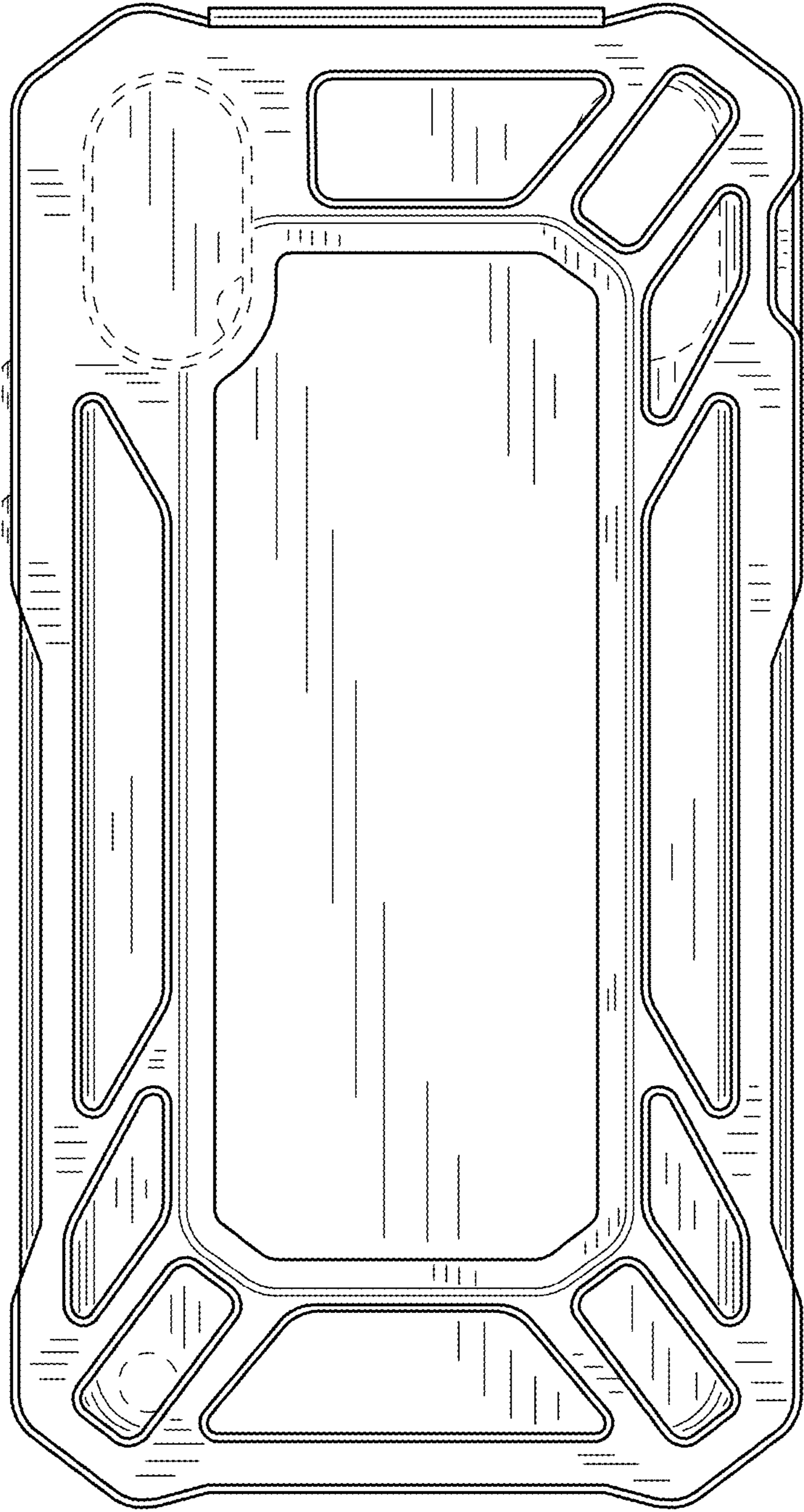


FIG.2

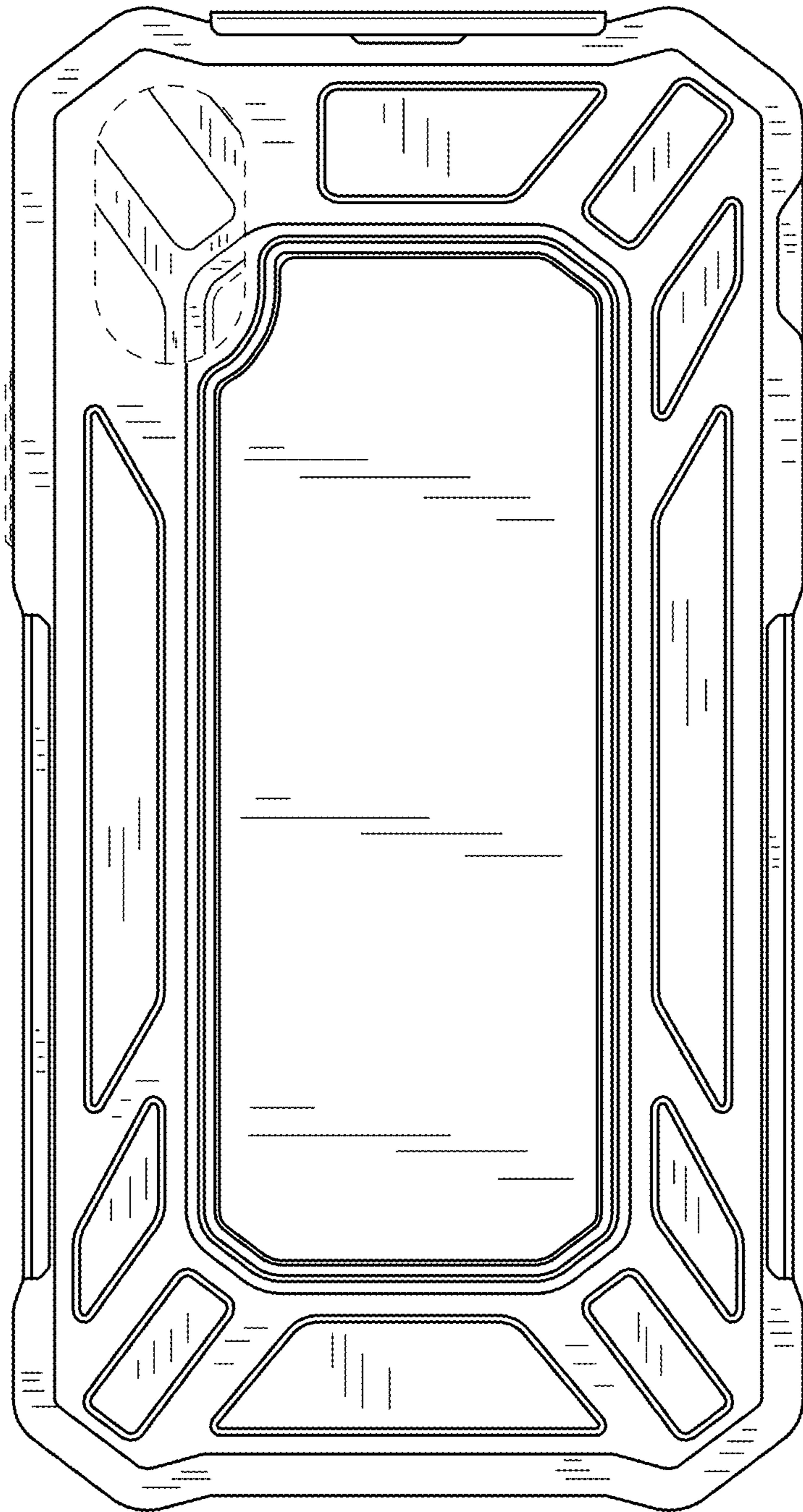


FIG.3

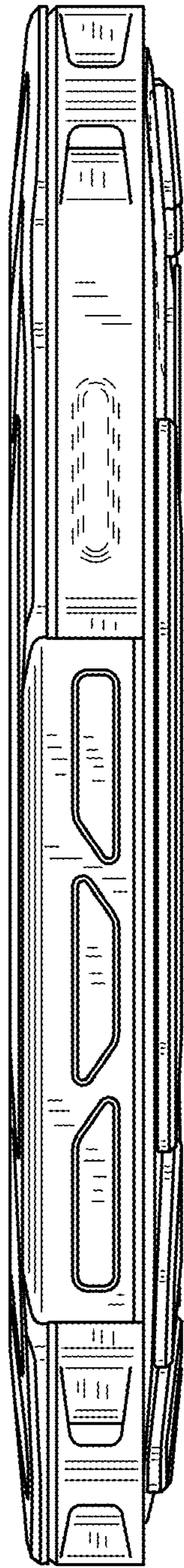


FIG.4

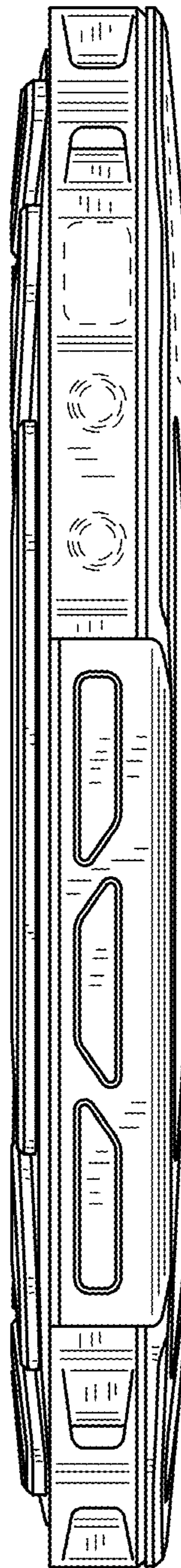


FIG.5

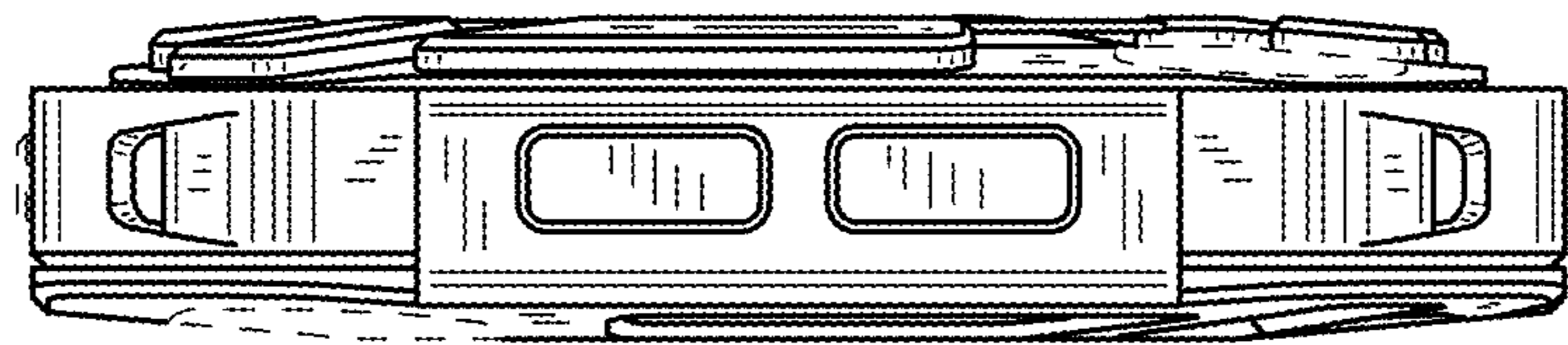


FIG. 6

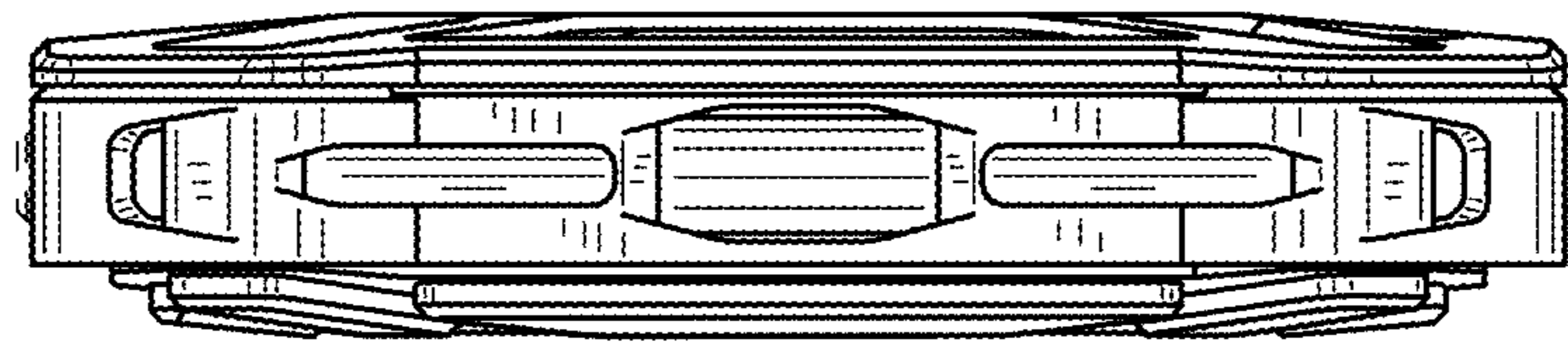


FIG. 7



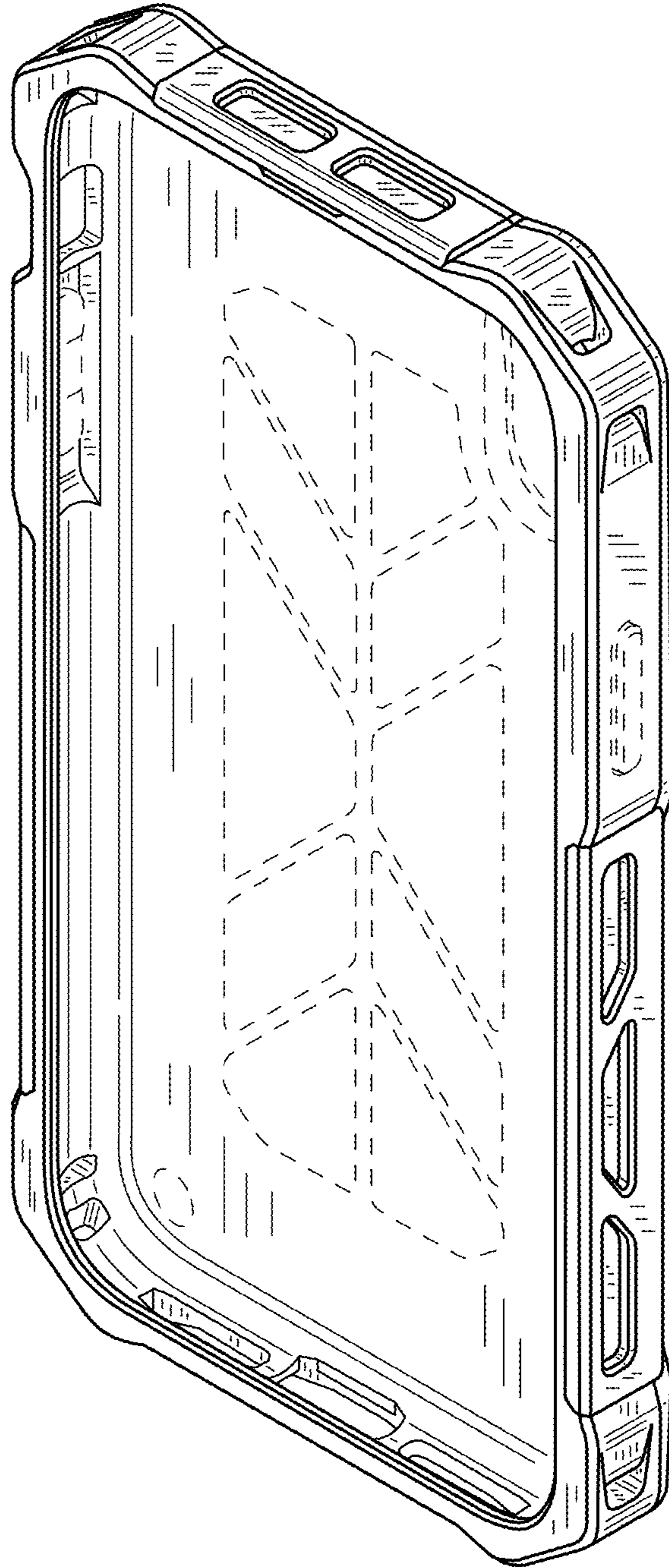


FIG.8

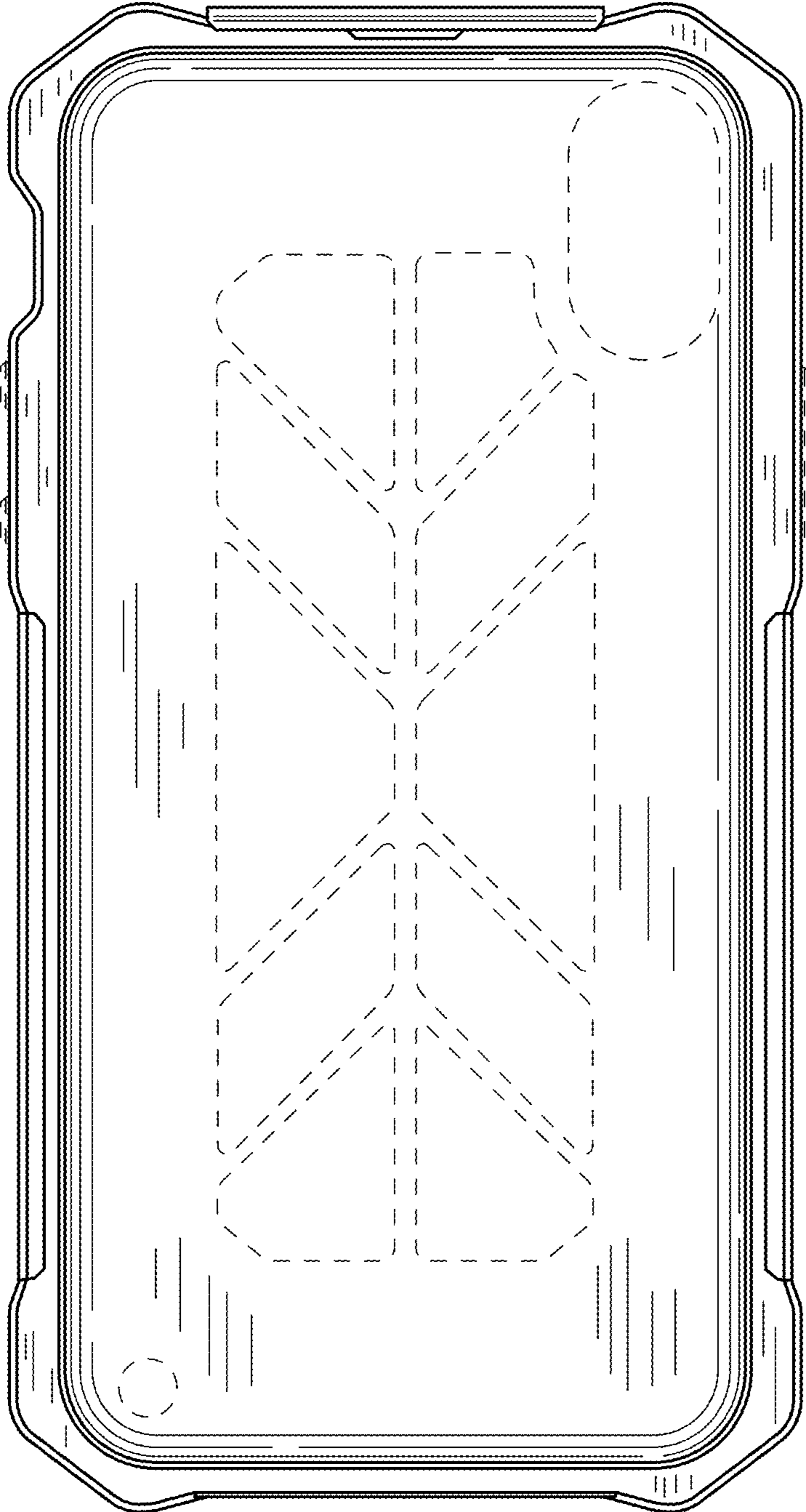


FIG.9

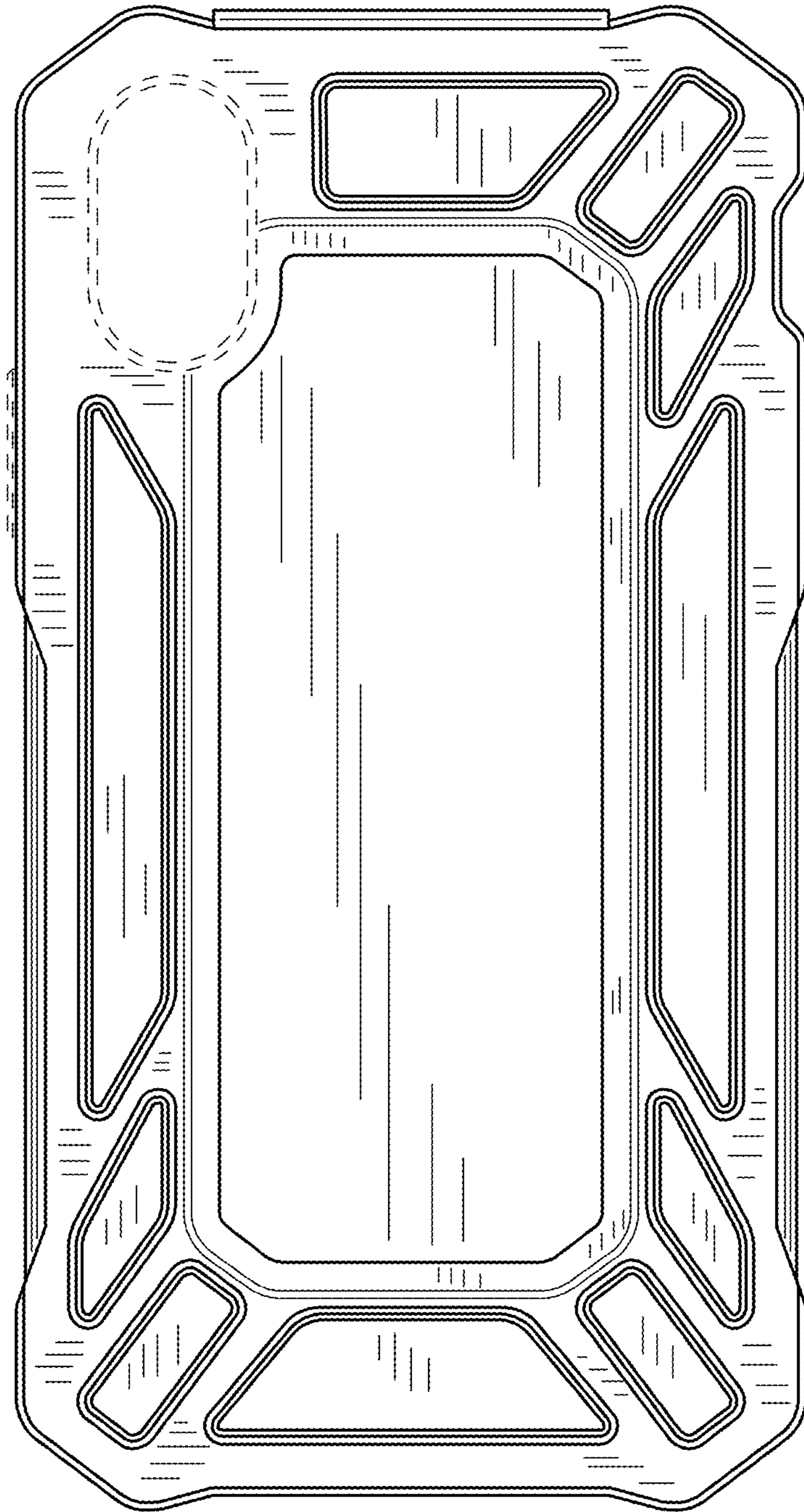


FIG.10

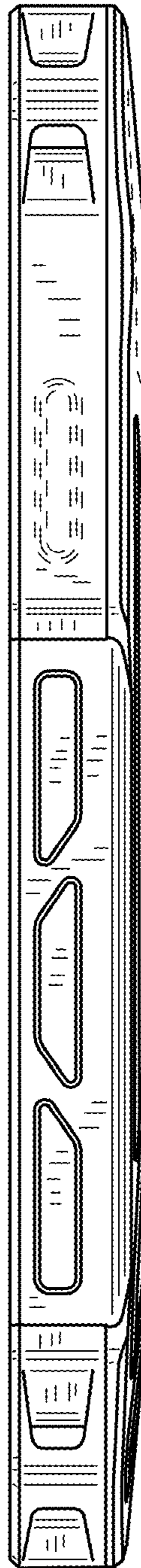


FIG. 11

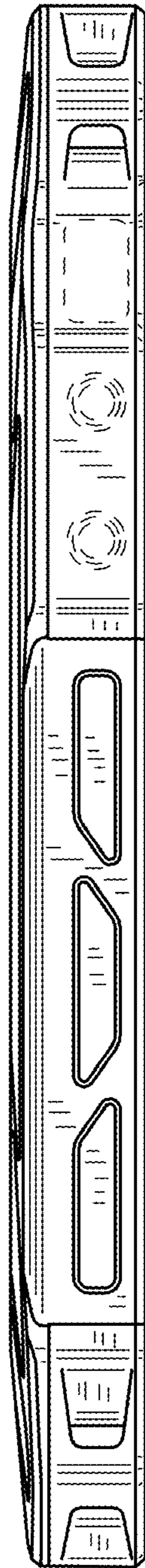


FIG.12

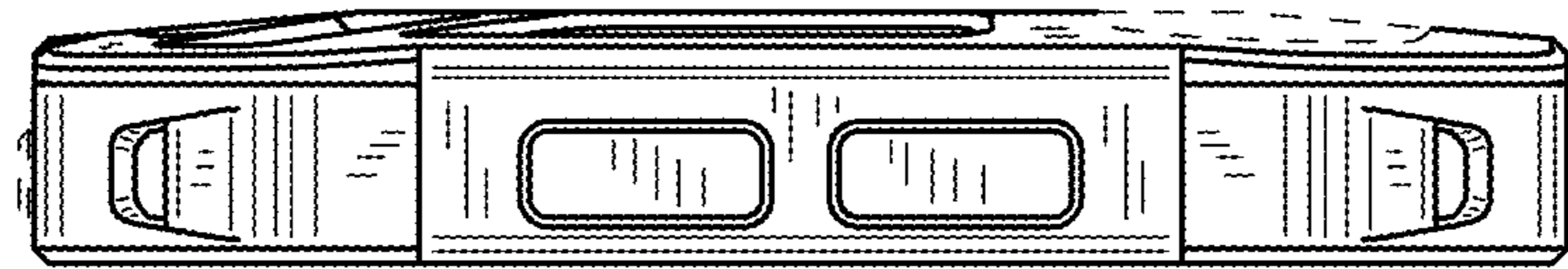


FIG.13

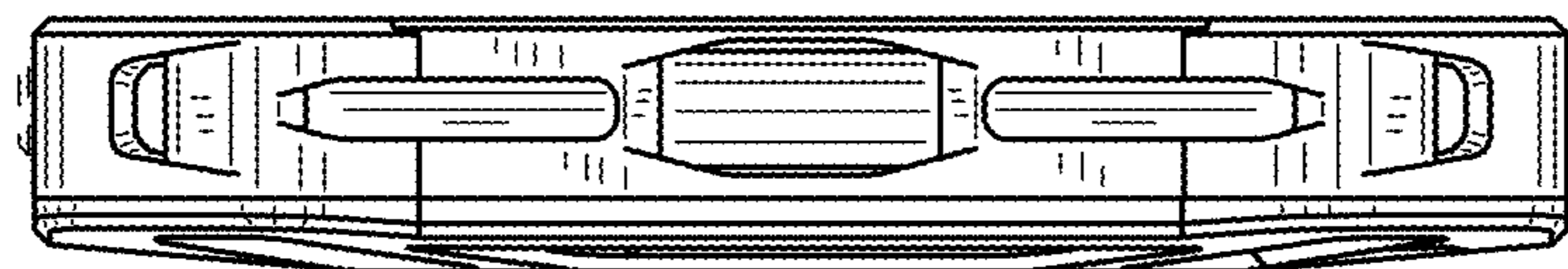
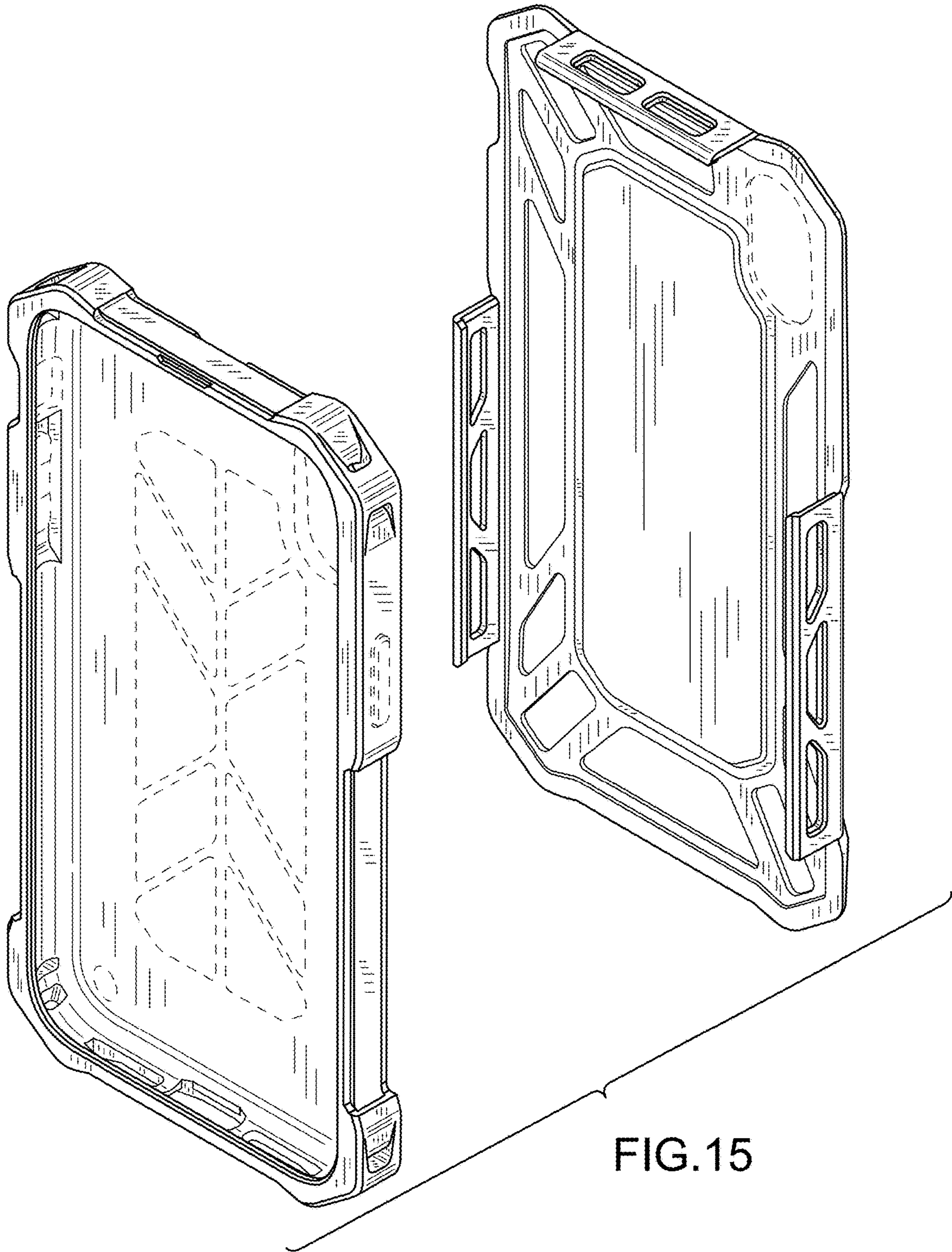


FIG.14



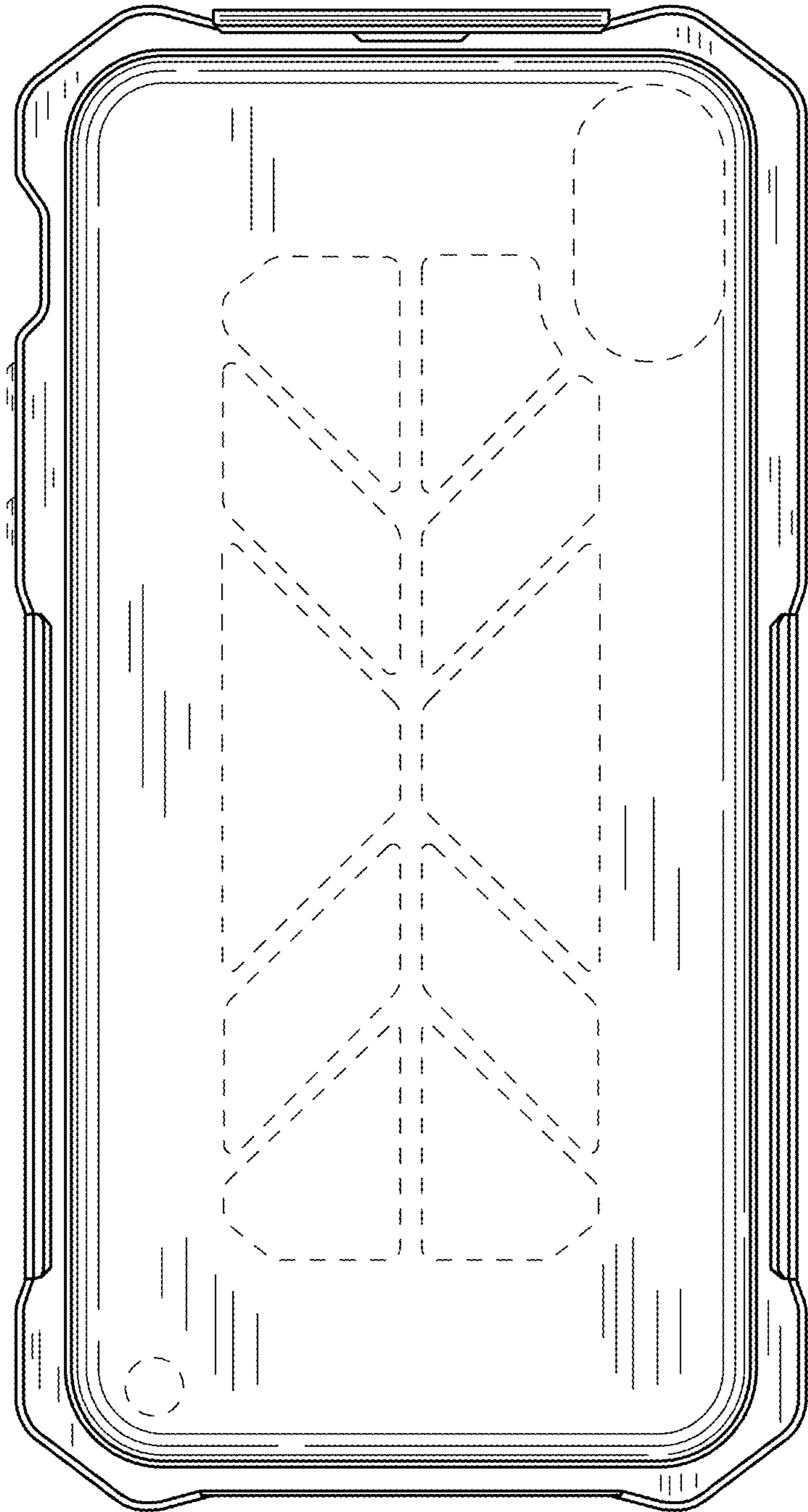


FIG.16



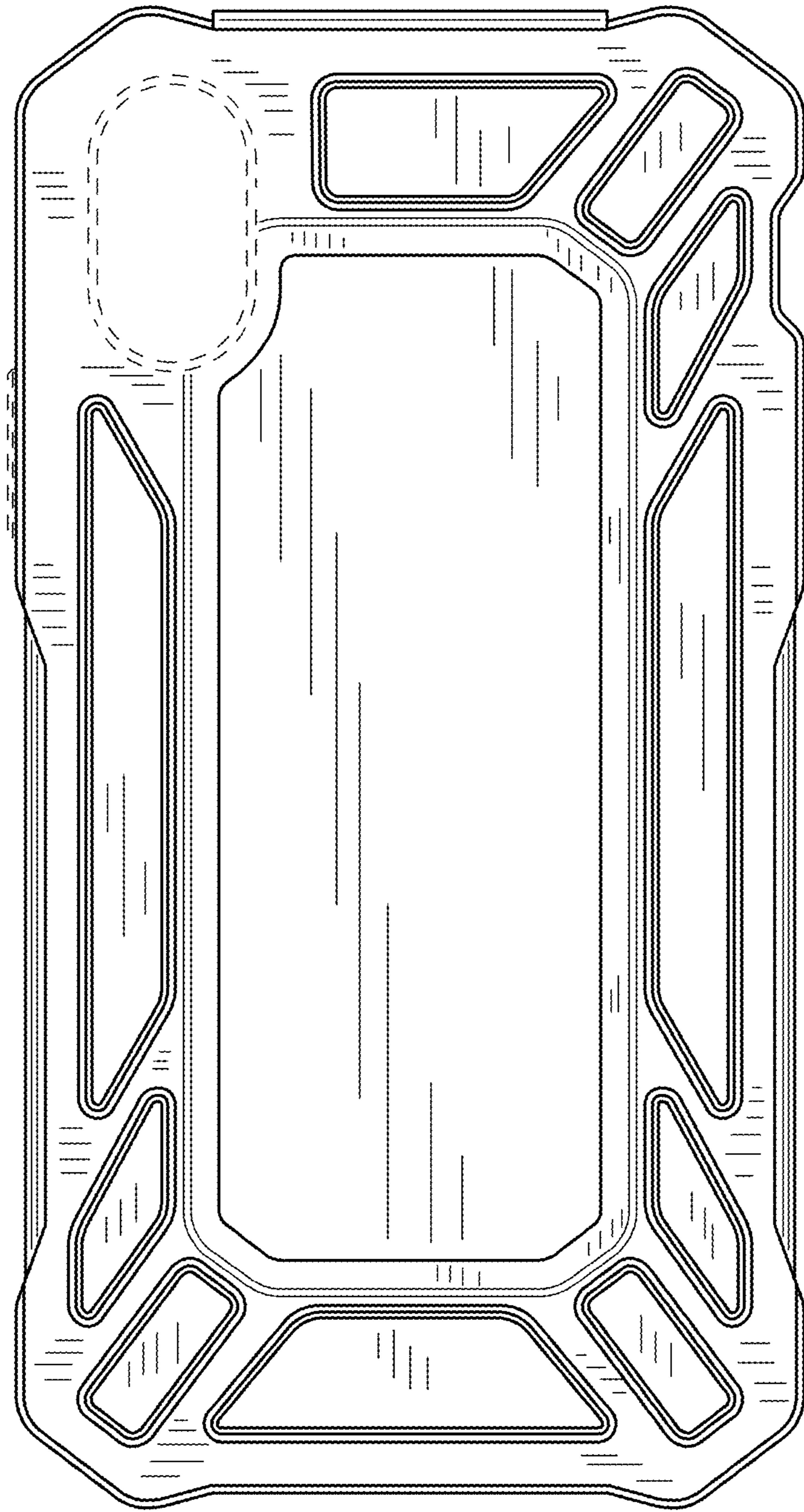


FIG.17

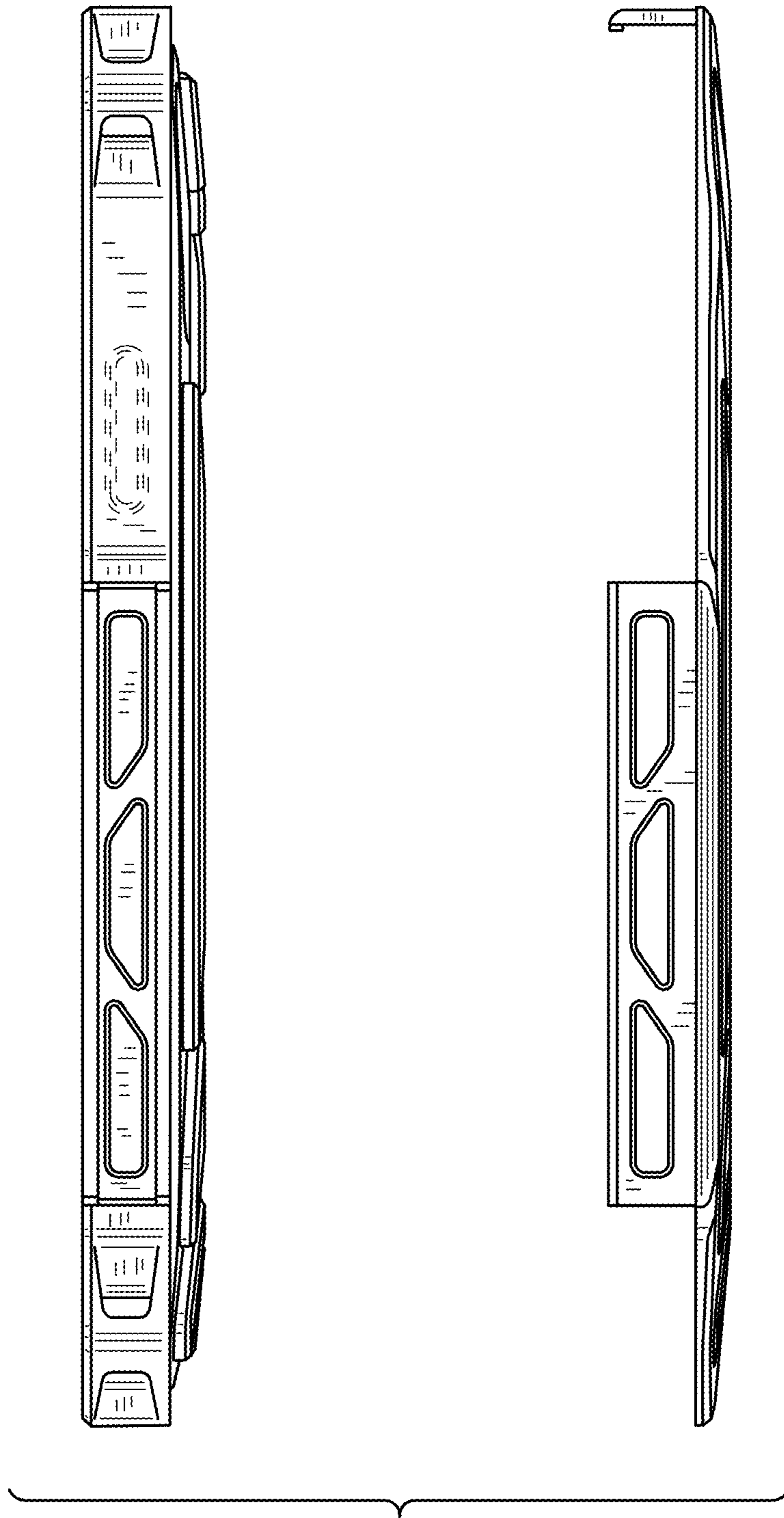


FIG.18

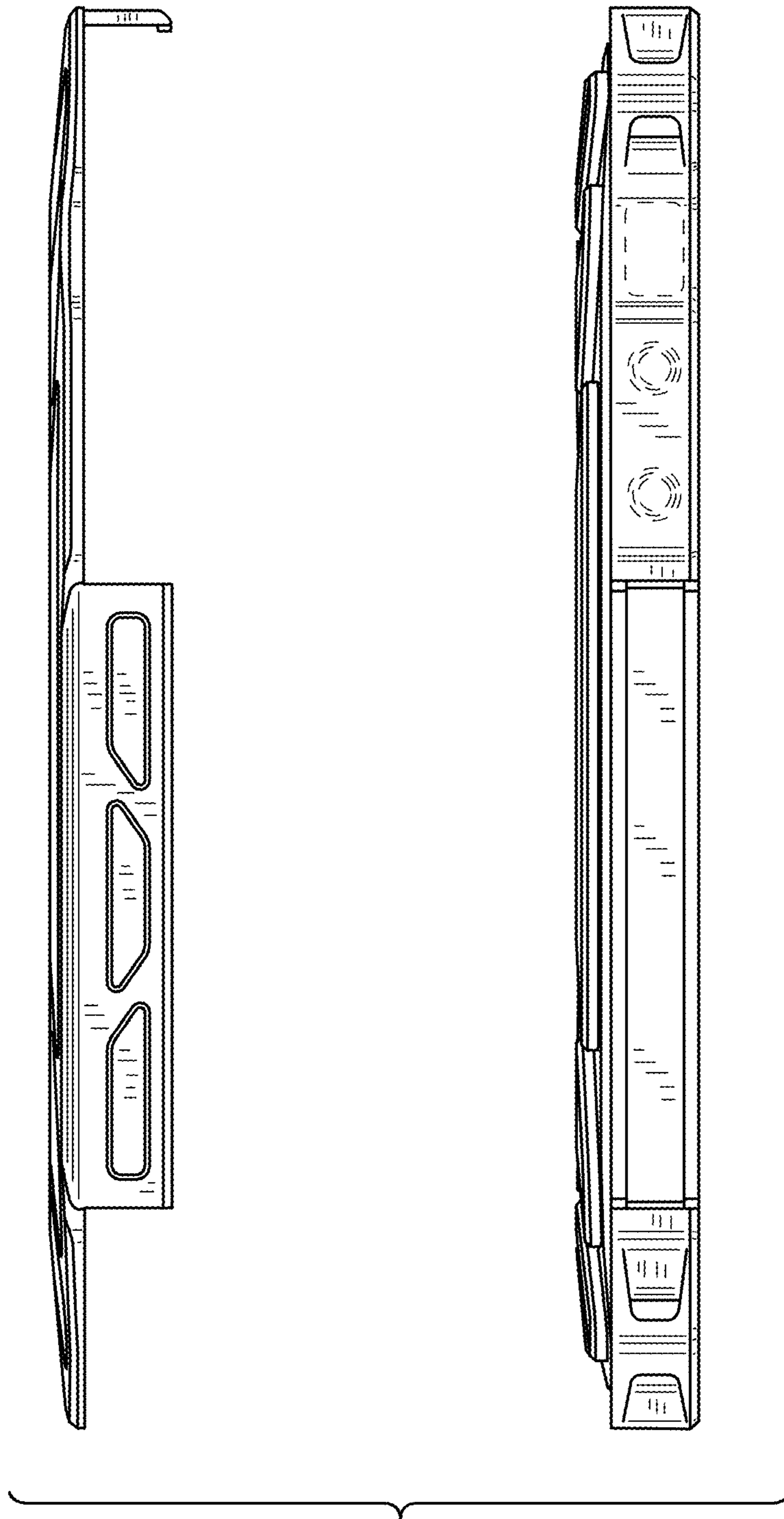


FIG.19

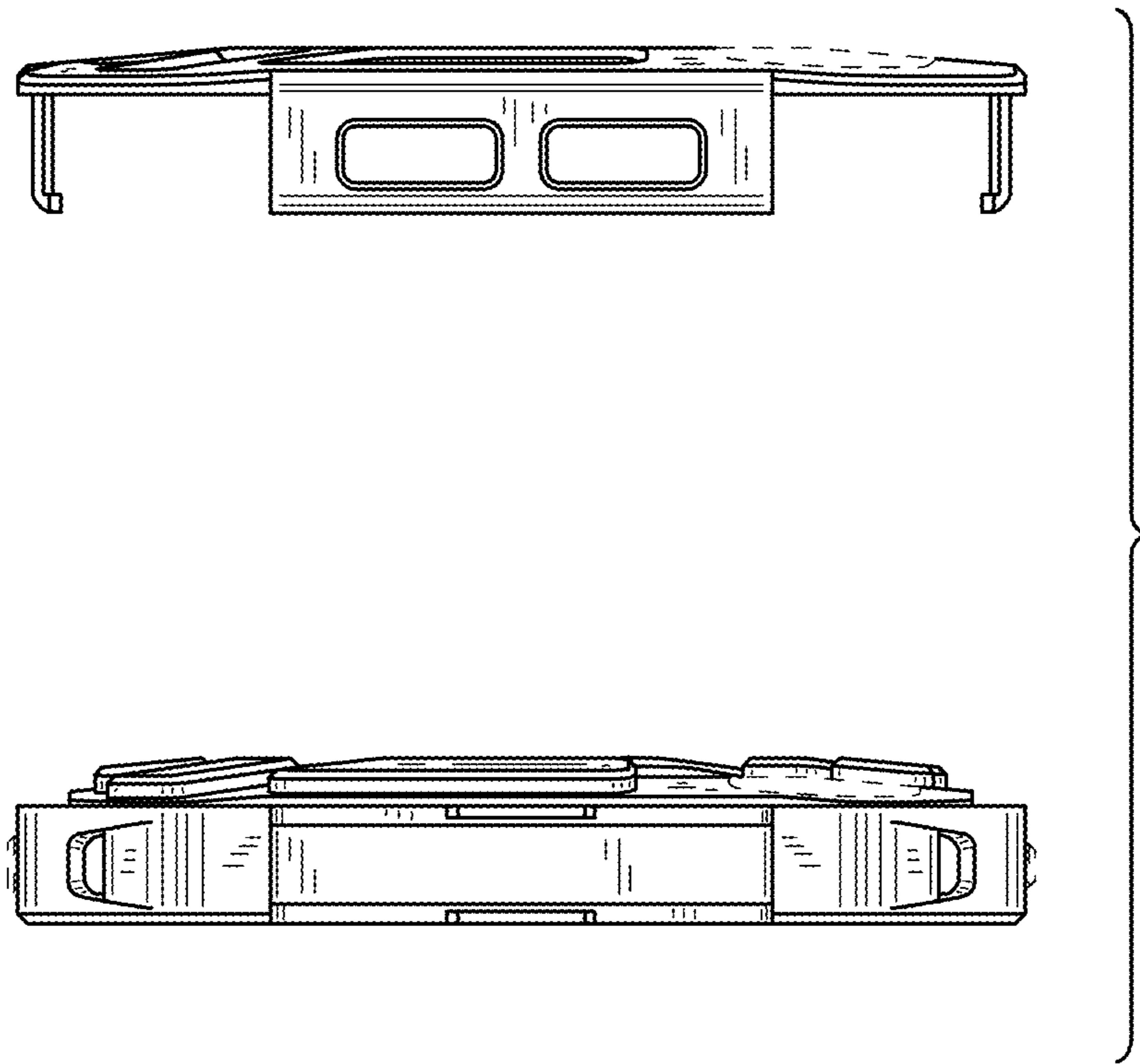


FIG.20

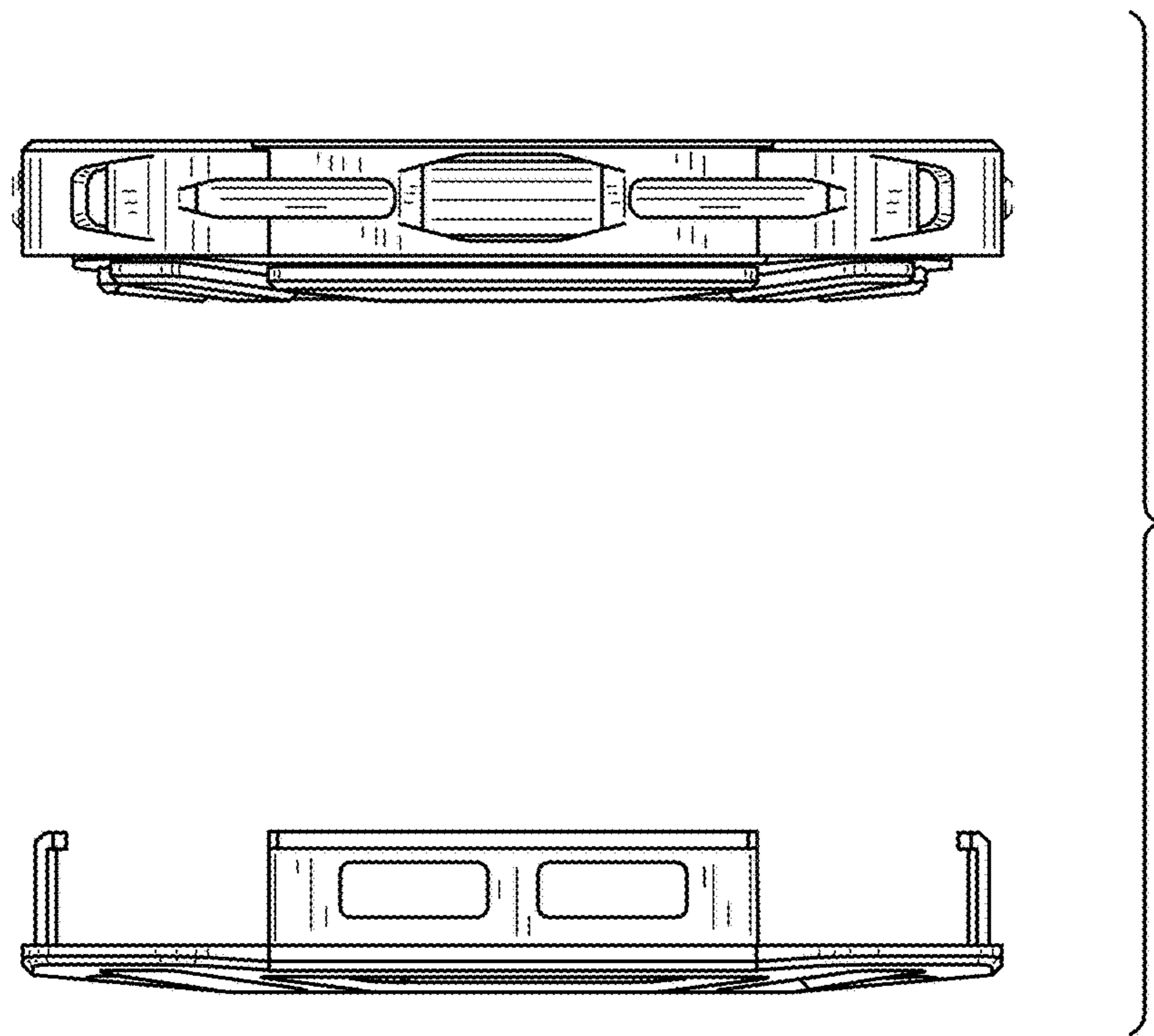


FIG.21