



US00D843363S

(12) **United States Design Patent**  
**Yan**

(10) **Patent No.:** **US D843,363 S**

(45) **Date of Patent:** **\*\* Mar. 19, 2019**

(54) **MOBILE PHONE CASE**

(71) Applicant: **Chongfei Yan, Jiangxi (CN)**

(72) Inventor: **Chongfei Yan, Jiangxi (CN)**

(\*\*) Term: **15 Years**

(21) Appl. No.: **29/613,754**

(22) Filed: **Aug. 14, 2017**

(51) **LOC (11) Cl.** ..... **14-03**

(52) **U.S. Cl.**  
USPC ..... **D14/250**

(58) **Field of Classification Search**  
USPC ..... D14/250  
CPC ..... H04B 1/385  
See application file for complete search history.

(56) **References Cited**

**U.S. PATENT DOCUMENTS**

320,567	A	*	6/1885	Lord	.....	E04F 13/0862 52/388
D703,656	S	*	4/2014	Witter	.....	D14/250
D704,684	S	*	5/2014	Yeh	.....	D14/248
D704,685	S	*	5/2014	Yeh	.....	D14/248
D709,869	S	*	7/2014	Witter	.....	D14/250
D722,311	S	*	2/2015	Diebel	.....	D14/250
D733,696	S	*	7/2015	Burgett	.....	D14/250
D742,868	S	*	11/2015	Odhwani	.....	D14/250
D742,869	S	*	11/2015	Odhwani	.....	D14/250
D754,115	S	*	4/2016	Lin	.....	D14/250
D755,167	S	*	5/2016	Chen	.....	D14/248
D765,638	S	*	9/2016	Gaylord	.....	D14/250
D765,642	S	*	9/2016	Bulkley	.....	D14/250
D771,027	S	*	11/2016	Prstojevich	.....	D14/250
D771,611	S	*	11/2016	Chang	.....	D14/250
D778,271	S	*	2/2017	Stump	.....	D14/250

D791,113	S	*	7/2017	Tien	.....	D14/250
D808,372	S	*	1/2018	Brown	.....	D14/250
D808,373	S	*	1/2018	Brown	.....	D14/250
D808,943	S	*	1/2018	Kamalandua Makasi	...	D14/250
2015/0195938	A1	*	7/2015	Witter	.....	H05K 5/03 206/521

**OTHER PUBLICATIONS**

ACBungji iPhone X Case, posted at amazon.com, posting date not given, [online], [site visited Oct. 2, 2018]. Available from Internet, URL: <https://www.amazon.com/iPhone-Cover-ACBungji-Carbon-Protective/dp/B0756XTQX3> (Year: 2018).\*

(Continued)

*Primary Examiner* — George D. Kirschbaum

*Assistant Examiner* — Maria J Edwards

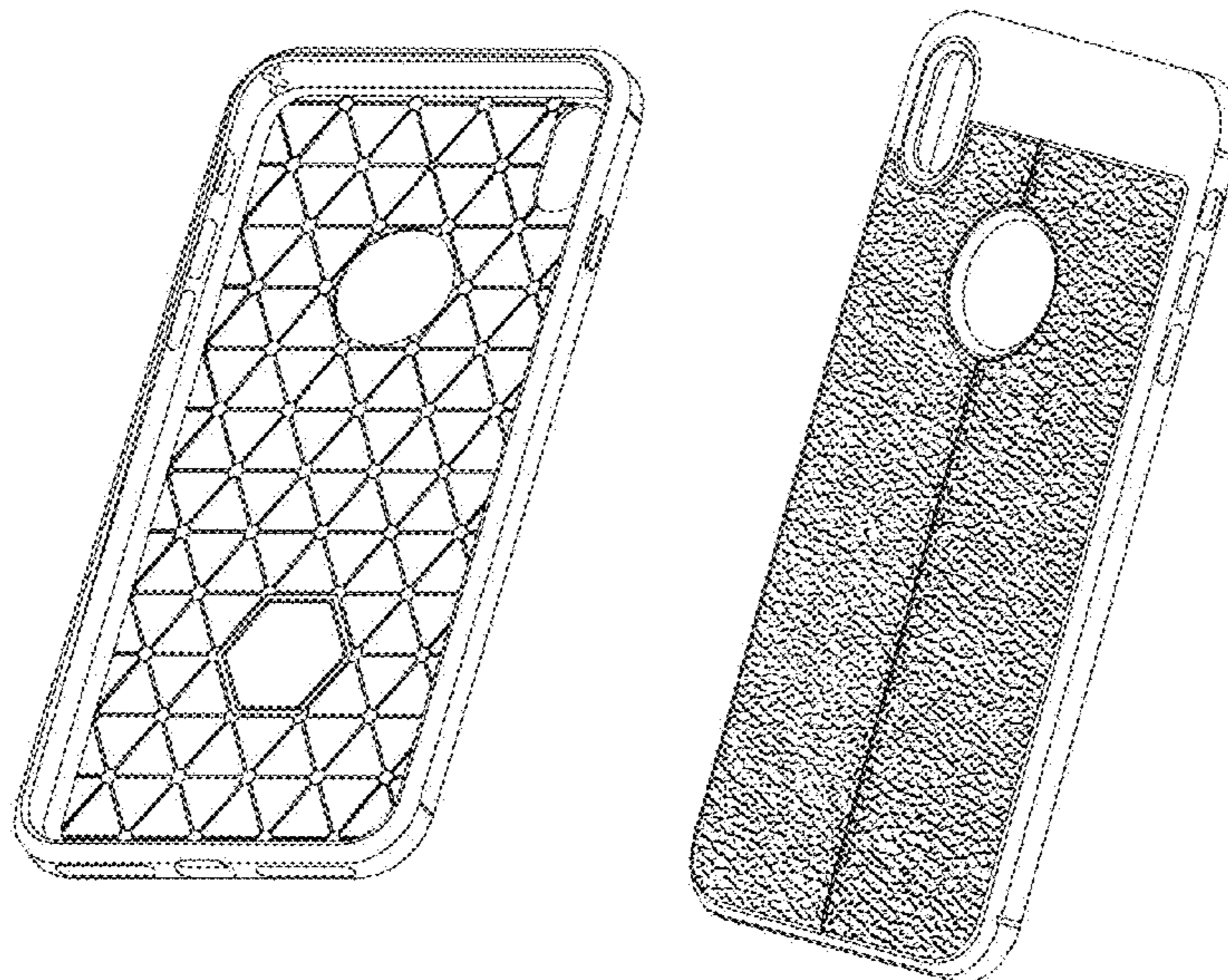
(57) **CLAIM**

The ornamental design for mobile phone case, as shown and described, especially each of the four corners of the inner wall has a pattern like "X".

**DESCRIPTION**

FIG. 1 is a perspective view of mobile phone case showing my new design;  
FIG. 2 is a front elevational view thereof;  
FIG. 3 is a rear elevational view thereof;  
FIG. 4 is a left side elevational view thereof;  
FIG. 5 is a right side elevational view thereof;  
FIG. 6 is a top plan view thereof;  
FIG. 7 is a bottom plan view thereof; and,  
FIG. 8 is another perspective view of mobile phone case showing my new design.  
The broken lines represent stitching and form part of the claimed design.

**1 Claim, 8 Drawing Sheets**



(56)

**References Cited**

## OTHER PUBLICATIONS

Business style litchi phone case, posted at aliexpress.com, no date, [online], [site visited Oct. 2, 2018]. Available from Internet, URL: <https://www.aliexpress.com/item/Business-style-litchi-pattern-soft-tpu-silicone-copy-leather-Heat-dissipation-sinnplicity-style-phone-case-for/32834787384.htm> (Year : 2018).\*

Coddycase Galaxy Note 8 Case, posted at amazon.com, posting date by Sep. 20, 2017, [online], [site visited Oct. 2, 2018]. Available from Internet, URL: <https://www.amazon.com/Galaxy-Coddycase-Resilient-Absorption-Protective/dp/B075988442> (Year: 2017).\*

Dirt Resistant Mobile Phone Case, posted at cpoor.com, posting date not given, [online], [site visited Oct. 2, 2018]. Available from Internet, URL: <http://www.cpoor.com/most-light-iphone-8-phone-cases-leather-back-cover-coques-iphone-8-4.html> (Year: 2018).\*

iPhone 6 Plus Folio Flip Cover Case, posted at amazon.com, posting date Apr. 23, 2015, [online], [site visited Oct. 2, 2018]. Available from Internet, URL: <https://www.amazon.com/iPhone-Detachable-Wristlet-Genuine-Leather/dp/B00T9JQVO2> (Year: 2015).\*

Telefon samsung, posted at amazon.com, posting date Sep. 12, 2017 (as found by tineye.com), [online], [site visited Oct. 2, 2018]. Available from Internet, URL: <https://italian.alibaba.com/f/telefon-samsung.html> (Year: 2017).\*

\* cited by examiner

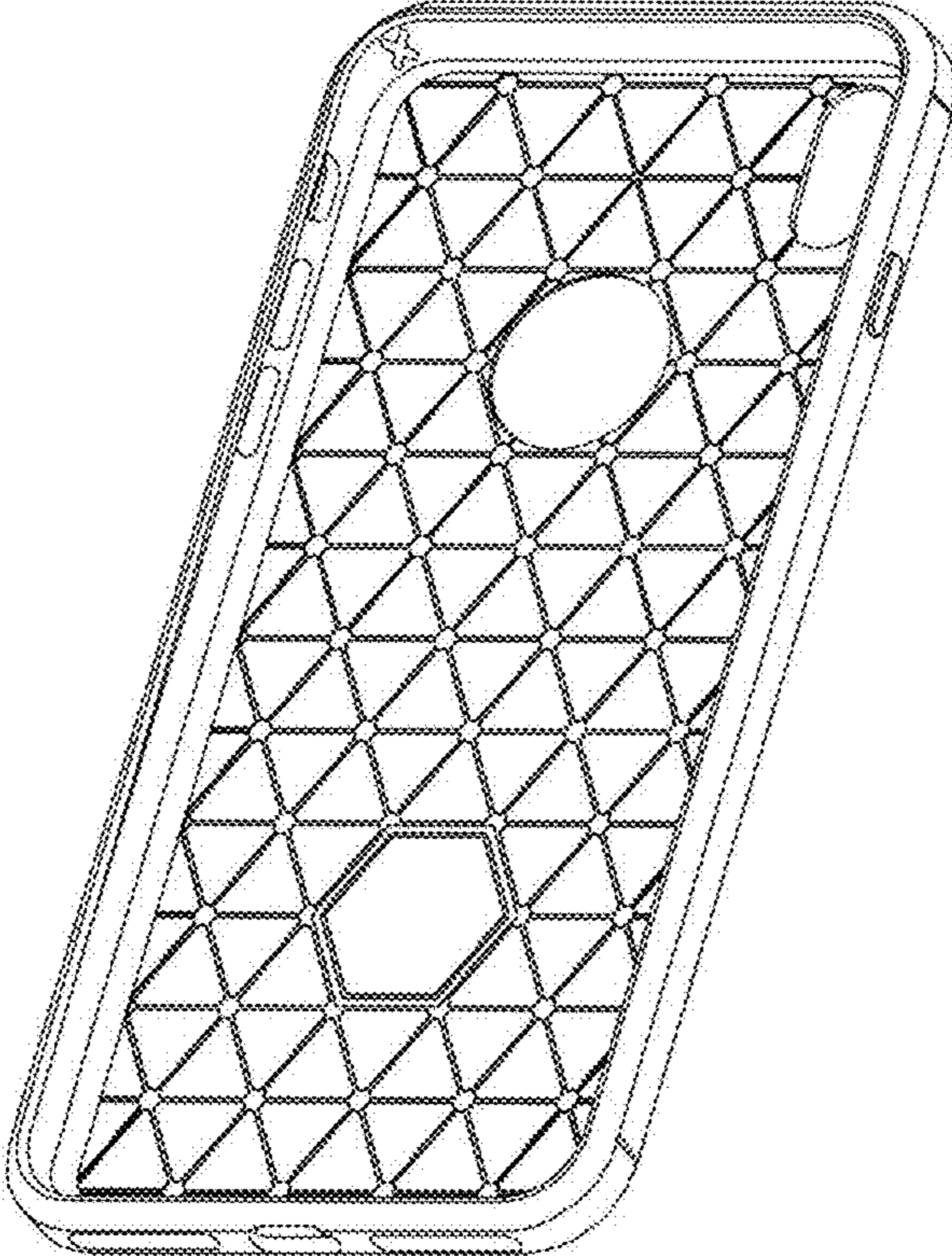


FIG.1

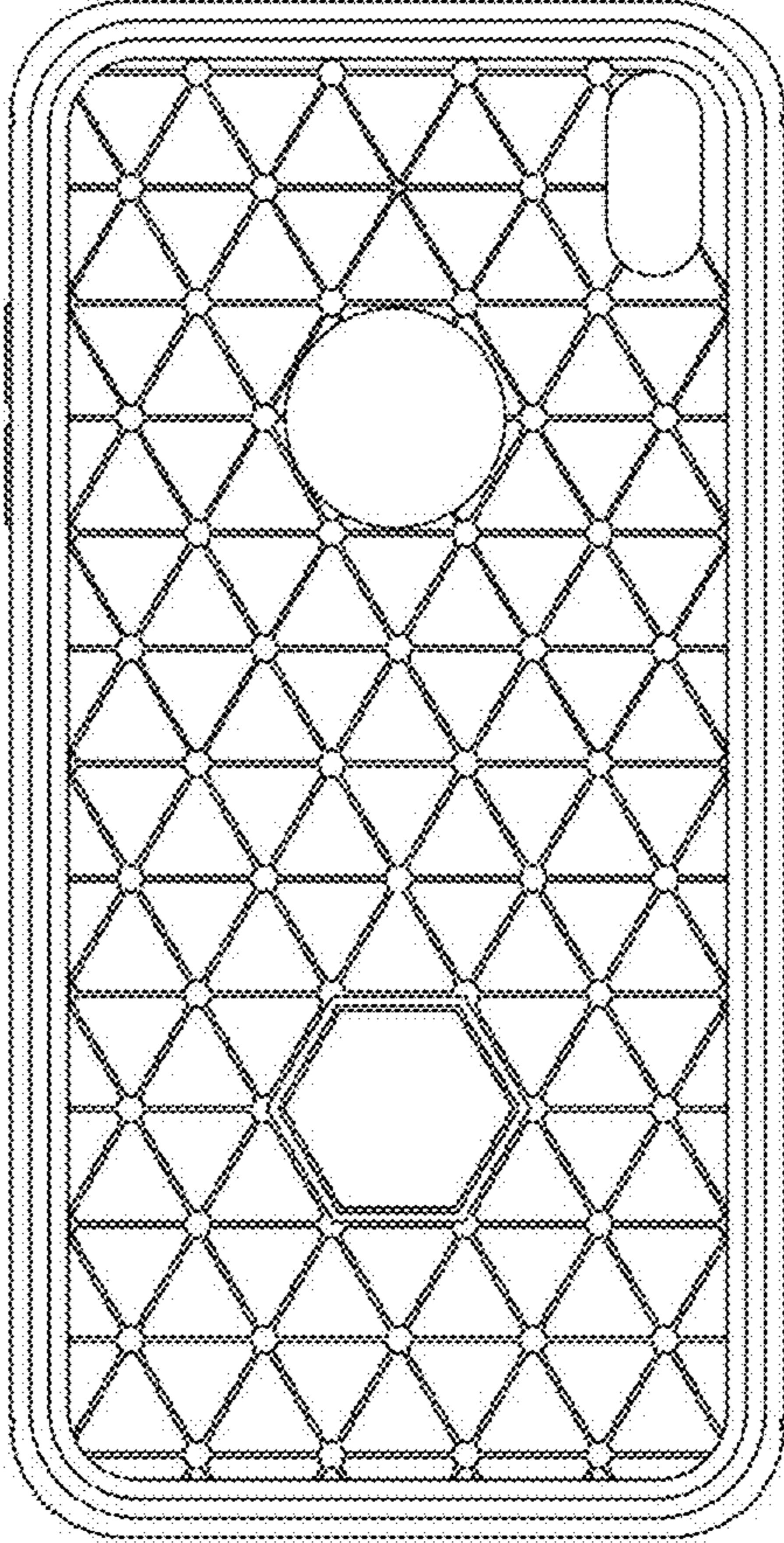


FIG.2

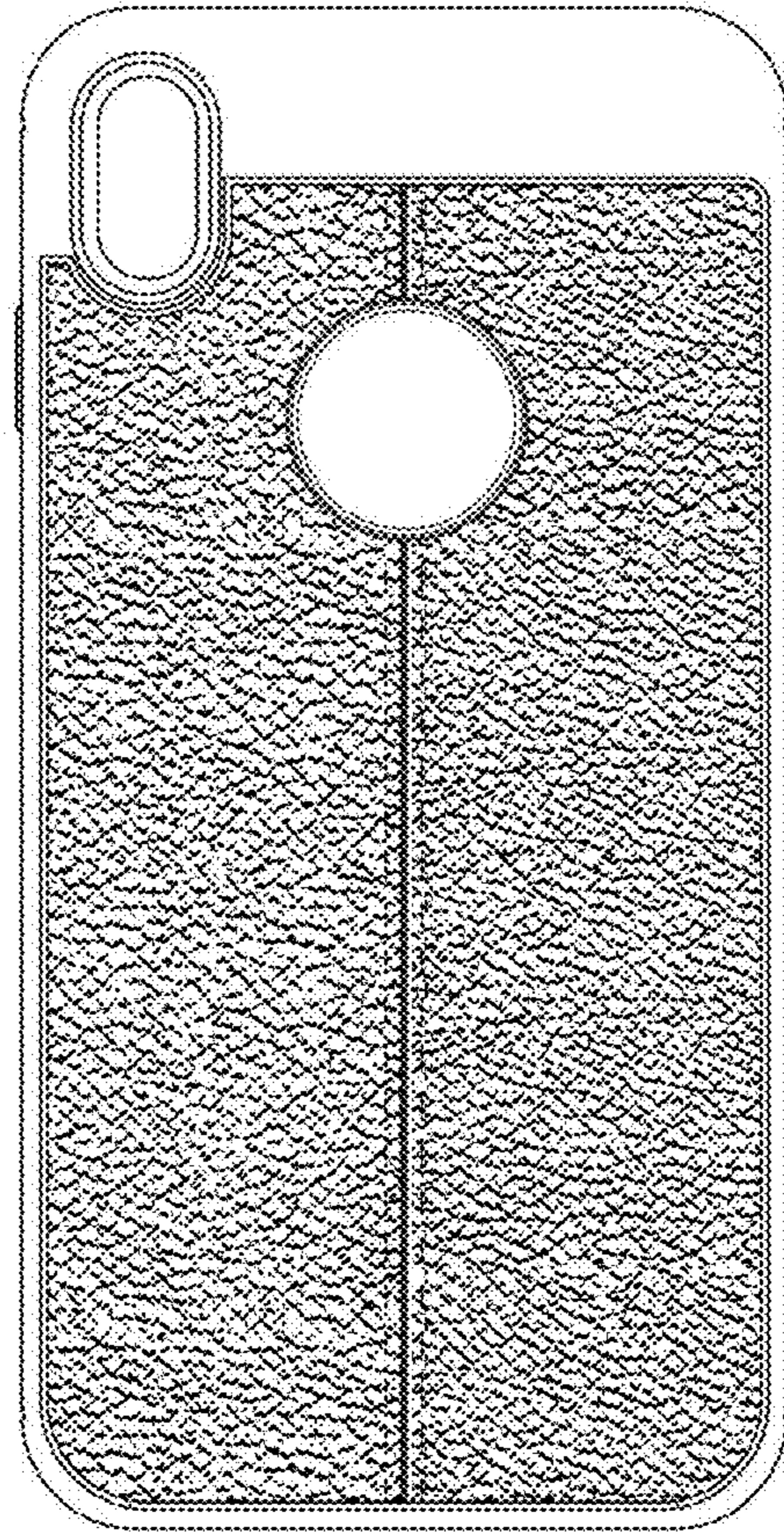


FIG.3



FIG.4

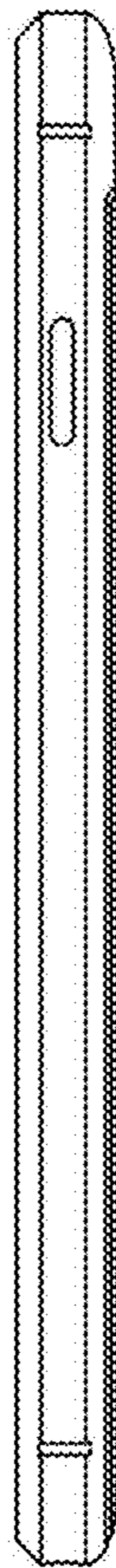


FIG.5



FIG.6



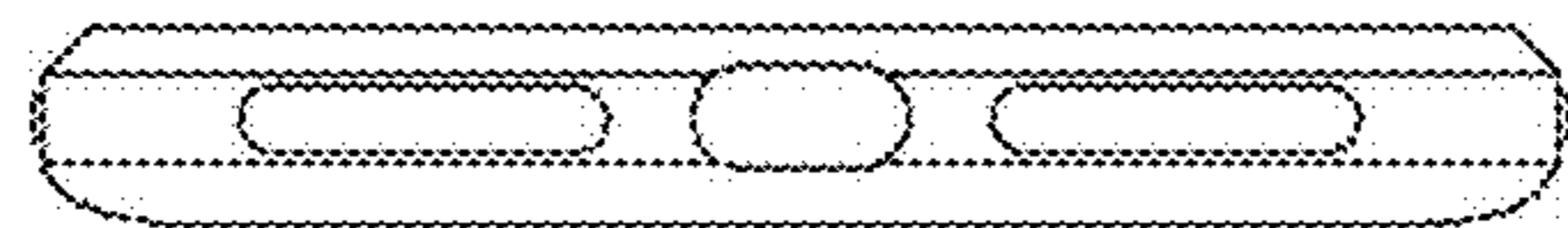


FIG.7

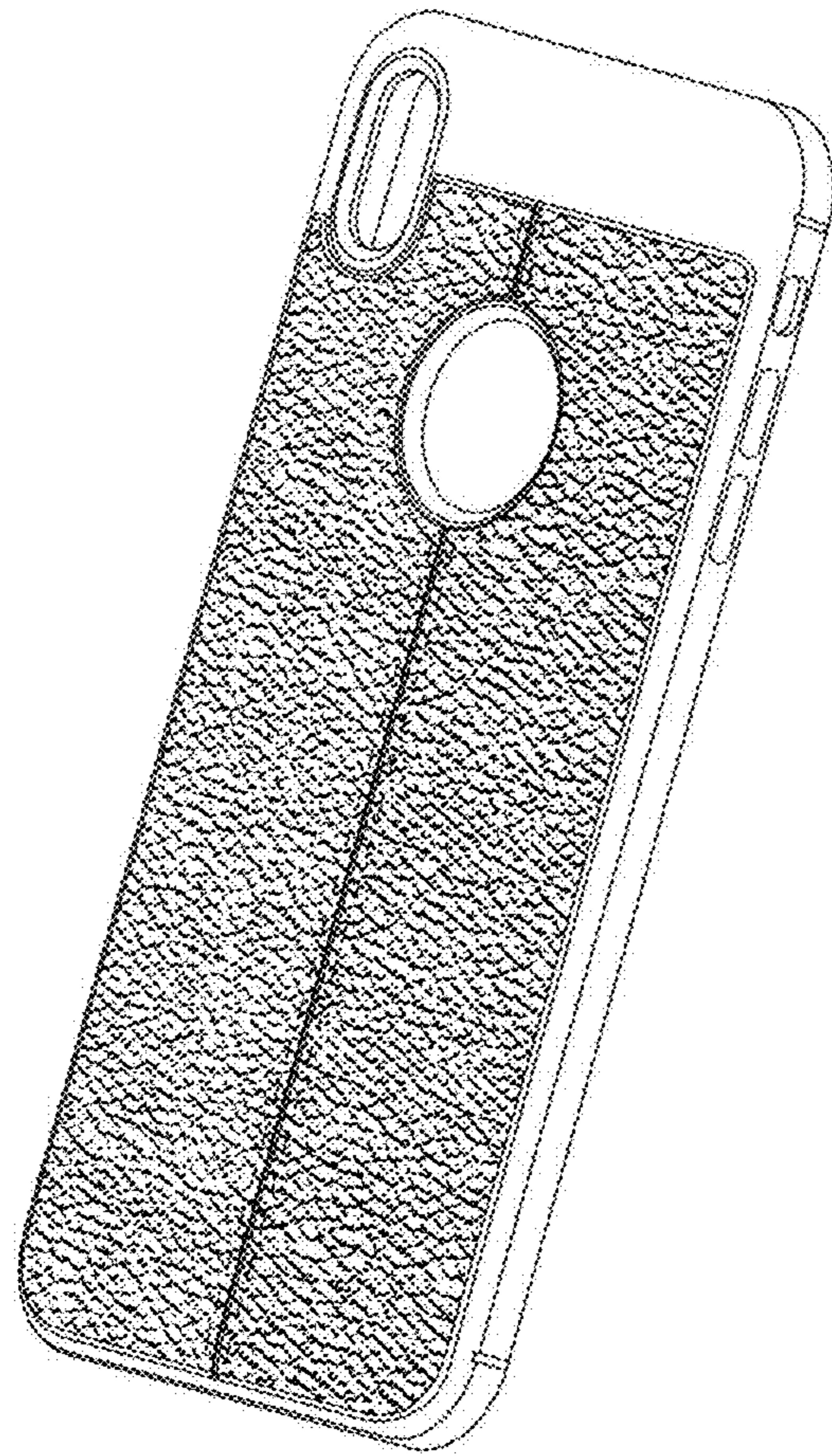


FIG.8