



US00D843361S

(12) **United States Design Patent**
Han et al.

(10) **Patent No.:** **US D843,361 S**
(45) **Date of Patent:** **** Mar. 19, 2019**

(54) **MOBILE PHONE**

(71) Applicant: **Samsung Electronics Co., Ltd.**,
Suwon-si (KR)

(72) Inventors: **Wooseung Han**, Seoul (KR); **Sangsik Park**, Seoul (KR)

(73) Assignee: **SAMSUNG ELECTRONICS CO., LTD.**, Suwon-si (KR)

(**) Term: **15 Years**

(21) Appl. No.: **29/612,687**

(22) Filed: **Aug. 3, 2017**

(30) **Foreign Application Priority Data**

Feb. 21, 2017 (KR) 30-2017-0008146

(51) **LOC (11) Cl.** **14-03**

(52) **U.S. Cl.**
USPC **D14/248; D14/230**

(58) **Field of Classification Search**
USPC D14/138 AB, 138 AC, 138 C, 138 R,
D14/138 G, 248, 341, 342, 250, 439, 371,
(Continued)

(56) **References Cited**

U.S. PATENT DOCUMENTS

D532,812 S * 11/2006 Horikiri D16/219
D542,257 S * 5/2007 Ahn D14/138 AA
(Continued)

FOREIGN PATENT DOCUMENTS

KR 30-0652833 7/2012
KR 30-0660341 9/2012

OTHER PUBLICATIONS

Galaxy C9 Pro hands on—first Samsung phone with 6 GB RAM!,
Nov. 20, 2016, [online], [site visited May 4, 2018]. Retrieved
url:https://www.youtube.com/watch?v=z9J3VVT5PT8 (Year: 2016).*
(Continued)

Primary Examiner — Jeffrey D Asch
Assistant Examiner — Tracey J Bell

(74) *Attorney, Agent, or Firm* — McAndrews Held & Malloy, Ltd.

(57) **CLAIM**

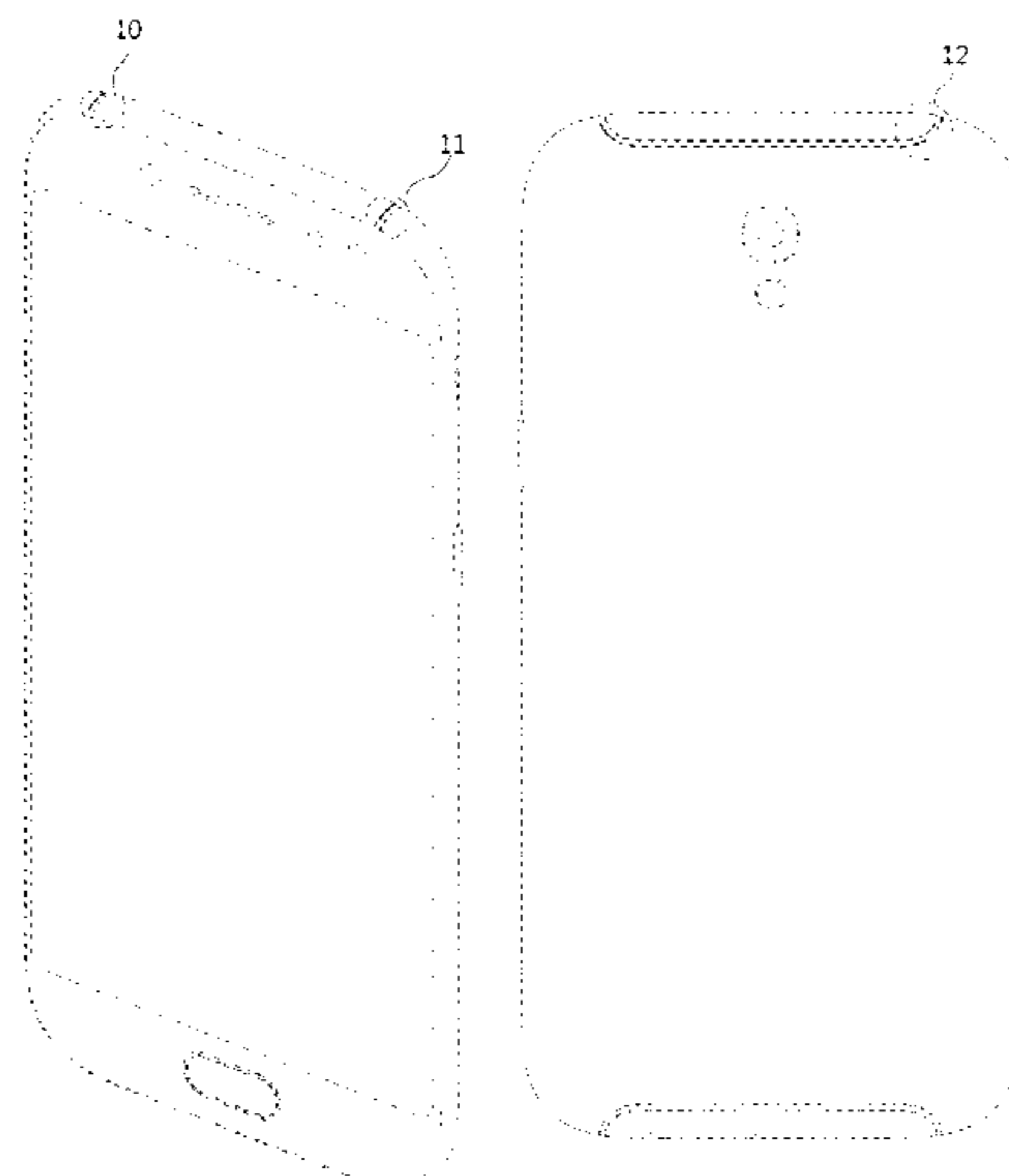
The ornamental design for a mobile phone, as shown and described.

DESCRIPTION

FIG. 1 is a top front perspective view of a mobile phone showing our new design according to a first embodiment; FIG. 2 is a front elevation view thereof; FIG. 3 is a rear elevation view thereof; FIG. 4 is a left side elevation view thereof; FIG. 5 is a right side elevation view thereof; FIG. 6 is a top plan view thereof; FIG. 7 is a bottom plan view thereof; FIG. 8 is a top rear perspective view thereof; FIG. 9 is a bottom rear perspective view thereof; FIG. 10 is an enlarged view of portion 10 encircled in FIG. 1; FIG. 11 is an enlarged view of portion 11 encircled in FIG. 1; FIG. 12 is an enlarged view of portion 12 encircled in FIG. 3; FIG. 13 is a front perspective view of a mobile phone showing our new design according to a second embodiment; FIG. 14 is a front elevation view thereof; FIG. 15 is a rear elevation view thereof; FIG. 16 is a left side elevation view thereof; FIG. 17 is a right side elevation view thereof; FIG. 18 is a top plan view thereof; FIG. 19 is a bottom plan view thereof; FIG. 20 is a top rear perspective view thereof; FIG. 21 is a bottom rear perspective view thereof; FIG. 22 is an enlarged view of portion 22 encircled in FIG. 13; FIG. 23 is an enlarged view of portion 23 encircled in FIG. 13; and, FIG. 24 is an enlarged view of portion 24 encircled in FIG. 15.

The dashed broken lines in the drawings illustrate portions of the mobile phone that form no part of the claimed design. The dot-dot-dash broken lines in the drawings encircle portions of the claimed design that are illustrated in enlargements and form no part of the claimed design.

1 Claim, 22 Drawing Sheets



(58) **Field of Classification Search**

USPC D14/388, 389, 230, 507, 242, 240,
D14/138 AA; D16/219; D3/279, 321,
D3/322; D10/65
CPC G06F 1/1626; G06F 1/1652; G06F 1/1613;
H04M 1/027; H04M 1/0202; H04M
1/0279; H04M 1/0235; H04M 1/0237;
H04M 1/0239; H04M 1/0266; H04M
1/0295; H01Q 1/243; H01Q 1/241; H01Q
5/328; H05K 5/0217; H01M 2/10
See application file for complete search history.

(56) **References Cited**

U.S. PATENT DOCUMENTS

D561,223 S * 2/2008 Horikiri D16/202
D580,405 S * 11/2008 Lim D14/138 AA
D581,667 S * 12/2008 Yeh D3/279
D585,865 S * 2/2009 Lim D14/138 AB
D599,764 S * 9/2009 Park D14/138 AA
D626,929 S * 11/2010 Ge D14/138 AA
D638,828 S * 5/2011 Melanson D14/250
D642,153 S * 7/2011 Nilsen D14/138 AA
D668,629 S * 10/2012 Chung D14/138 G
D688,643 S * 8/2013 Park D14/138 G
D695,255 S * 12/2013 Kim D14/138 G
D707,670 S * 6/2014 Chang D14/250
D755,748 S * 5/2016 Lim D14/138 G
D777,134 S * 1/2017 Hachiya D14/138 G
D783,602 S * 4/2017 Akana D14/341
D791,139 S * 7/2017 Akana D14/439
D800,716 S * 10/2017 Akana D14/341
D803,177 S * 11/2017 Cho D14/138 G
D803,209 S * 11/2017 Akana D14/341
D808,371 S * 1/2018 Kim D14/250
D809,504 S * 2/2018 Akana D14/341
D815,633 S * 4/2018 Akana D14/341
D816,649 S * 5/2018 Song D14/248
2016/0302319 A1* 10/2016 Ferretti H04M 1/0202
2017/0069956 A1* 3/2017 Hill H01Q 1/243
2017/0141469 A1* 5/2017 Huang H01O 5/50
2017/0187851 A1* 6/2017 Jung H04M 1/0249
2017/0194694 A1* 7/2017 Li H01Q 1/243
2017/0195465 A1* 7/2017 Huang H04M 1/0202

2017/0280572 A1* 9/2017 Kawanishi H04M 1/02
2017/0347470 A1* 11/2017 Seo H05K 5/0086
2018/0109659 A1* 4/2018 Zhao H04M 1/0249

OTHER PUBLICATIONS

Honor 6X Hands-on, Jan. 3, 2017, [online], [site visited May 21, 2018]. Retrieved from url:https://www.gsmarena.com/honor_6x_handson-blog-22496.php (Year: 2017).*

HTC is readying a Vive-branded smartphone, Jan. 8, 2017, [online], [site visited May 19, 2018]. Retrieved from url:<https://www.engadget.com/2017/01/08/htc-vive-phone-leak/> (Year: 2017).*

Samsung Galaxy A6+ (2018), available as early as May 3, 2018, [online], [site visited May 3, 2018]. Retrieved from url:https://www.gsmarena.com/samsung_galaxy_a6+_2018-pictures-9156.php (Year: 2018).*

Samsung Galaxy C5, Jun. 2016, [online], [site visited Apr. 23, 2018]. Retrieved from url:https://www.gsmarena.com/samsung_galaxy_c5-pictures-8047.php (Year: 2016).*

Samsung Galaxy C7 Pro, Feb. 2017, [online], [site visited Apr. 23, 2018]. Retrieved from url:https://www.gsmarena.com/samsung_galaxy_c7_pro-pictures-8435.php (Year: 2017).*

Samsung Galaxy C7, Jun. 2017, [online], [site visited May 17, 2018]. Retrieved from url:https://www.gsmarena.com/samsung_galaxy_c7-pictures-8046.php (Year: 2017).*

Samsung Galaxy J5, Jun. 2017, [online], [site visited Apr. 23, 2018]. Retrieved from url:https://www.gsmarena.com/samsung_galaxyj5_2017-pictures-8705.php (Year: 2017).*

Samsung Galaxy J7 Pro, Jul. 2017, [online], [site visited Apr. 23, 2018]. Retrieved from url:https://www.gsmarena.com/samsung_galaxy_j7_pro-pictures-8561.php (Year: 2017).*

HTC Vive VR Phone Also Has AR Features and Buttonless Design, Apr. 10, 2017, [online], [site visited May 19, 2018]. Retrieved from url:<https://www.concept-phones.com/htc/htc-vive-vr-phone-ar-features-buttonless-design-video/> (Year: 2017).*

Unknown, "Creative insulated strip design", published Jan. 8, 2017 on the internet at clien.net <http://clien.net/cs2/bbs/board.php?bo_table=park&wr_id=52090247> (Last accessed Mar. 15, 2017).

Unknown, "Mobile version of Vive or new phone? HTC new month big guess", published Dec. 21, 2016 on the internet <<http://ivr.baidu.com/news/j/s585a3224e330.html>> (Last accessed Mar. 15, 2017).

* cited by examiner

FIG. 1

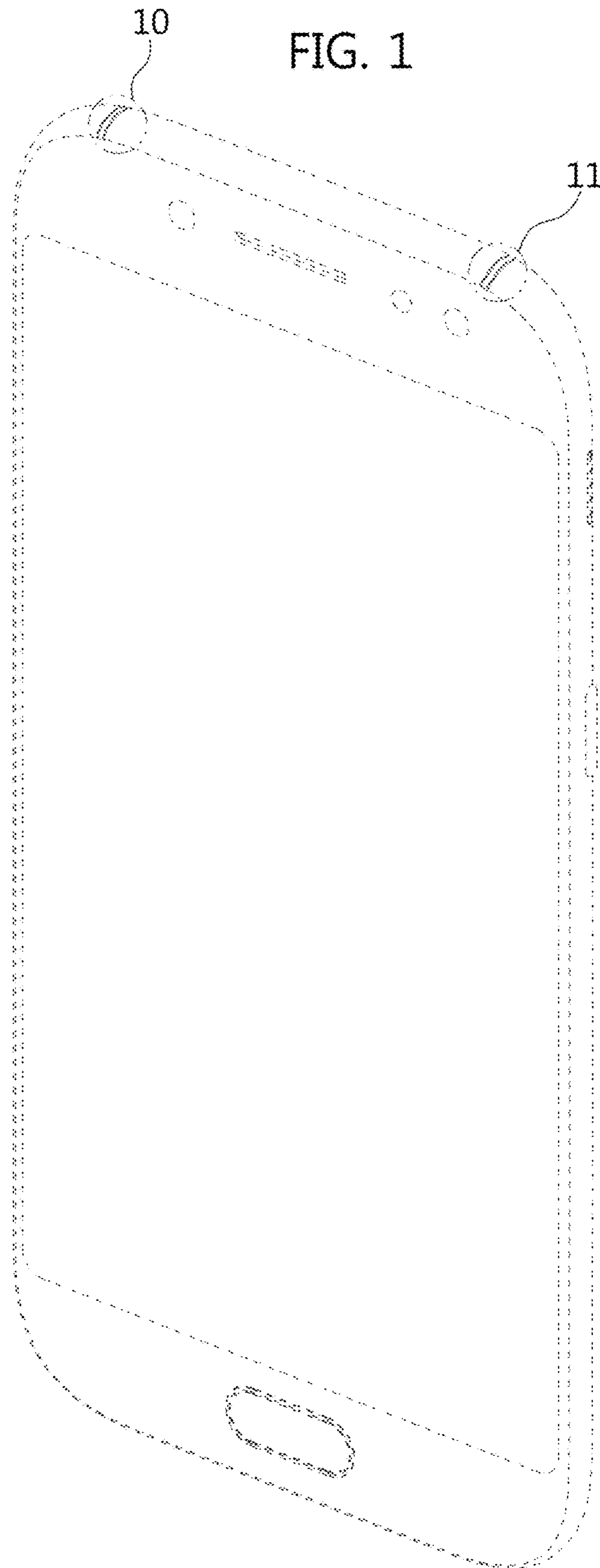


FIG. 2

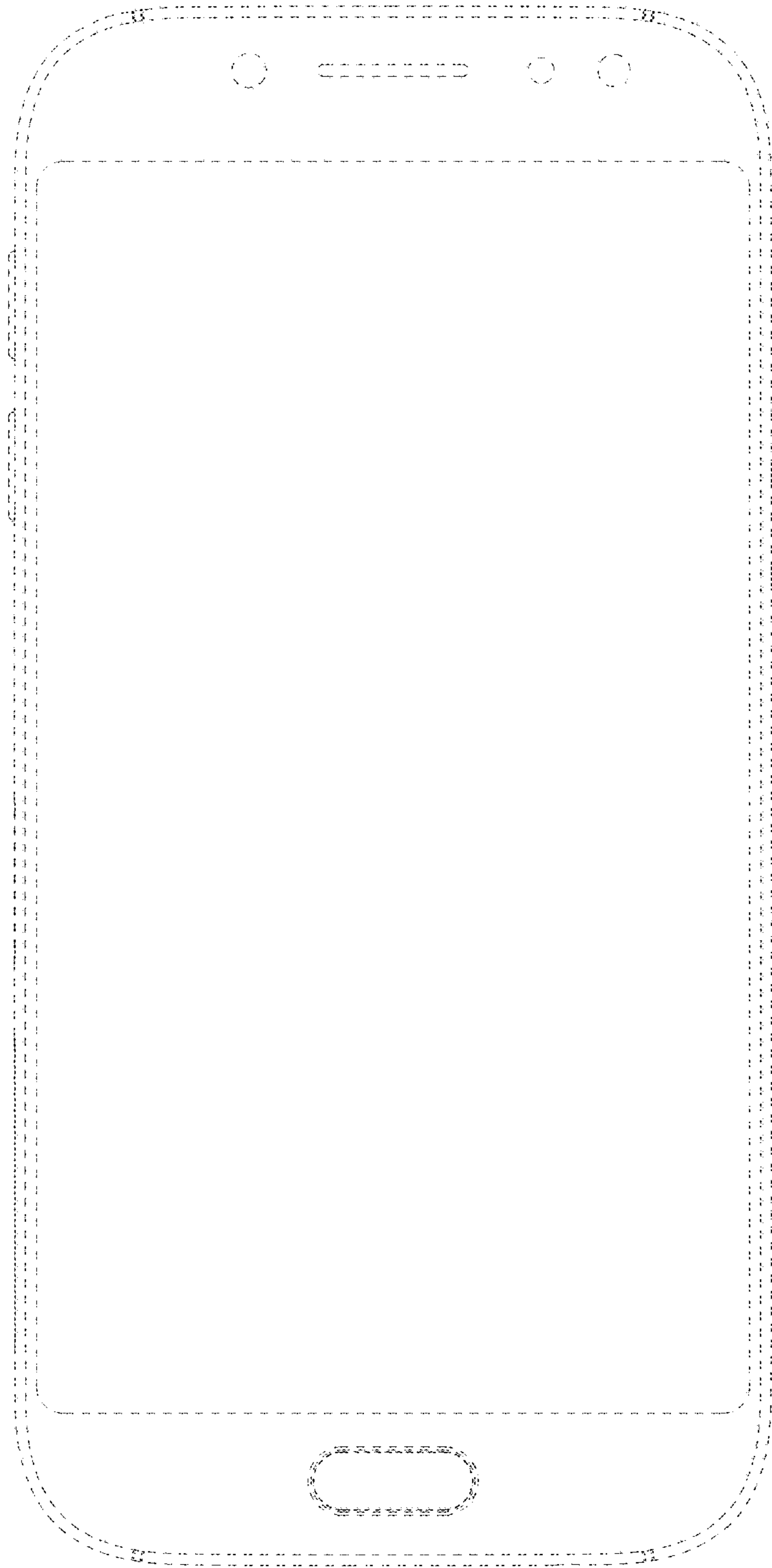


FIG. 3



FIG. 4

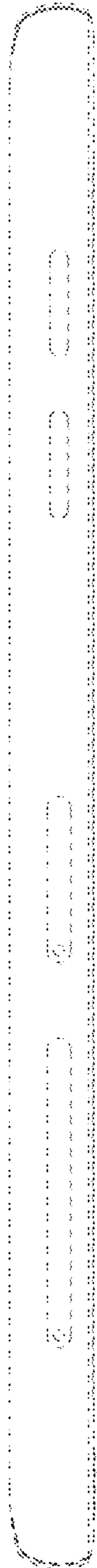


FIG. 5



FIG. 6

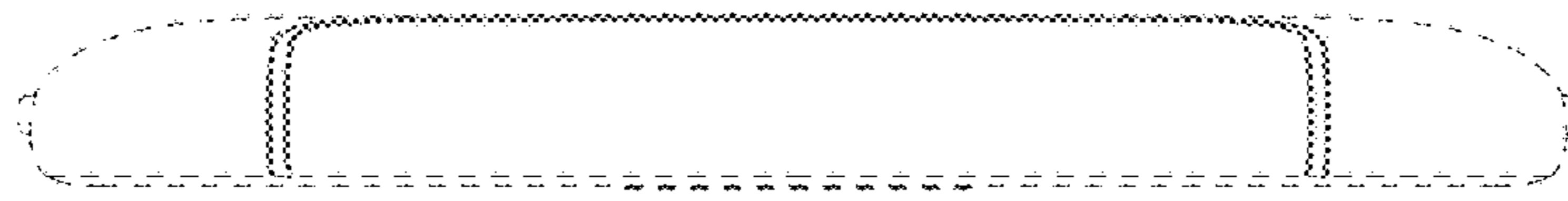


FIG. 7

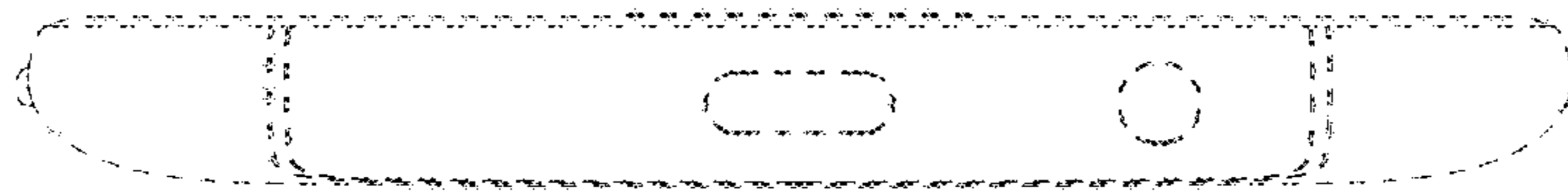


FIG. 8

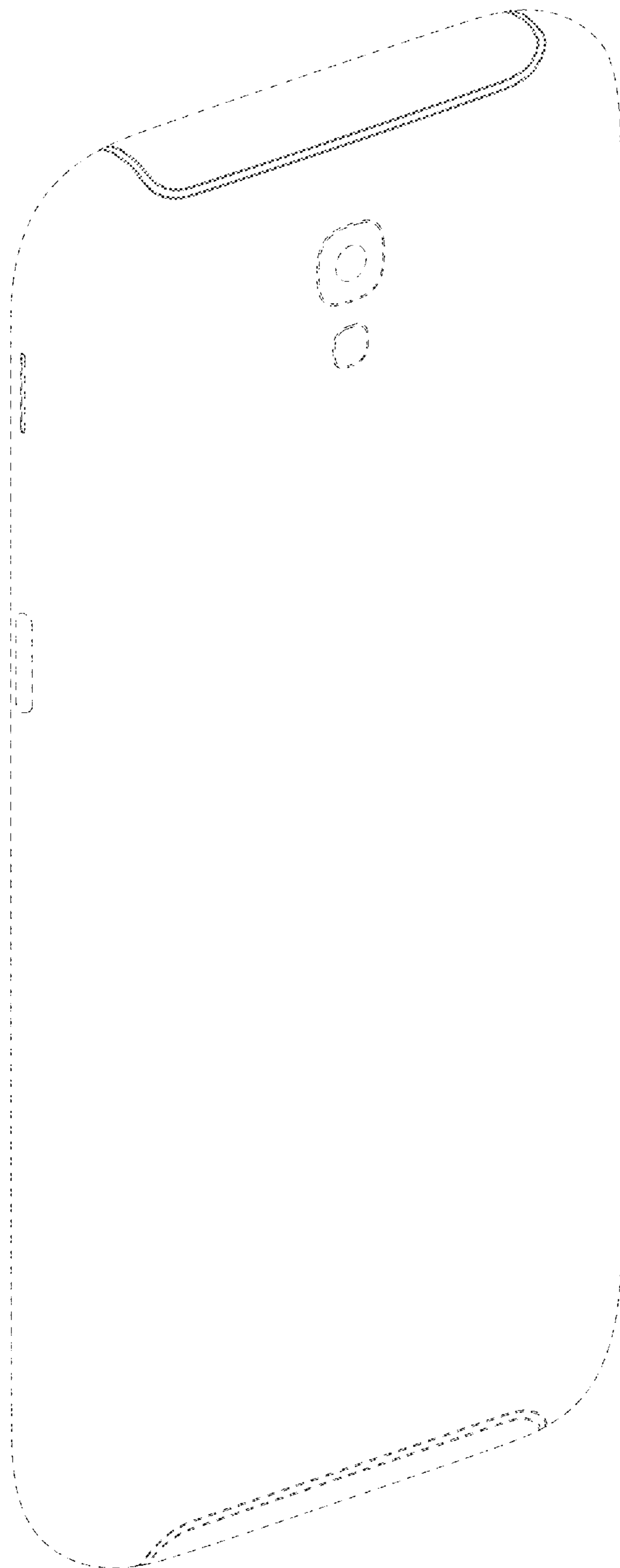


FIG. 9

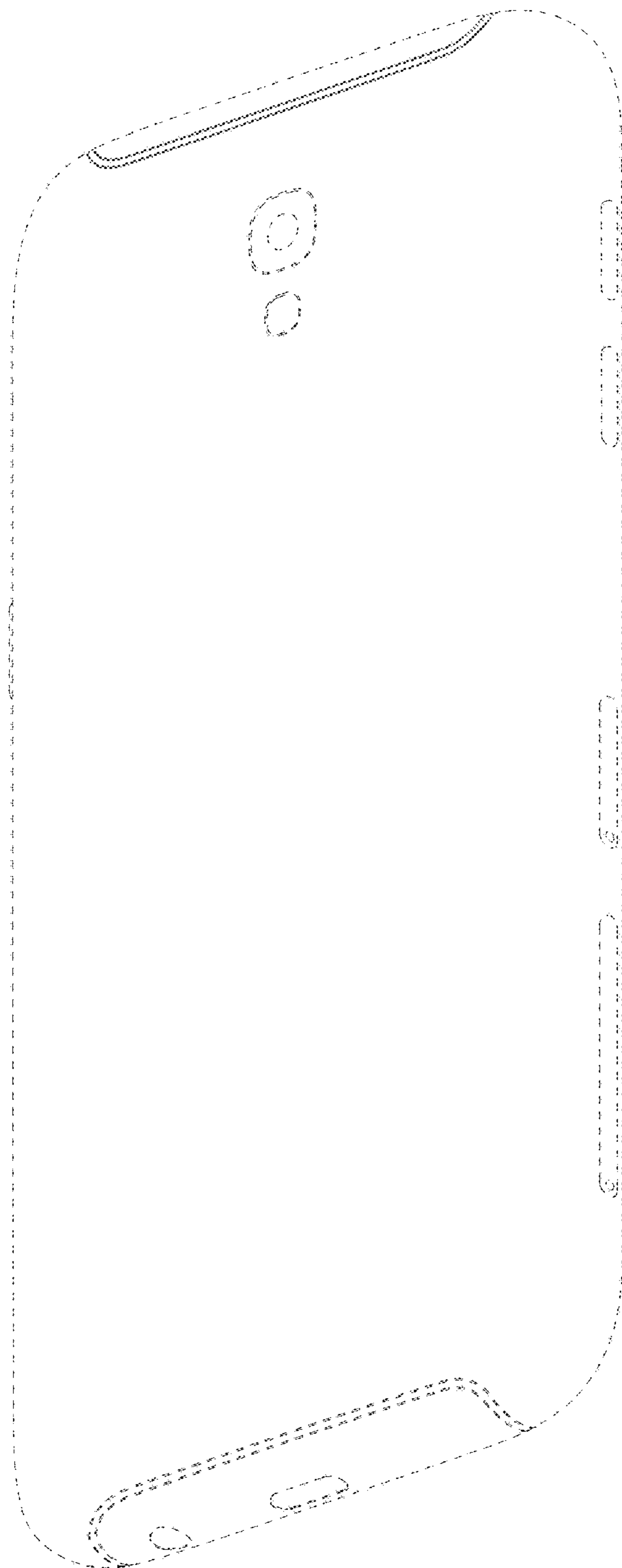


FIG. 10

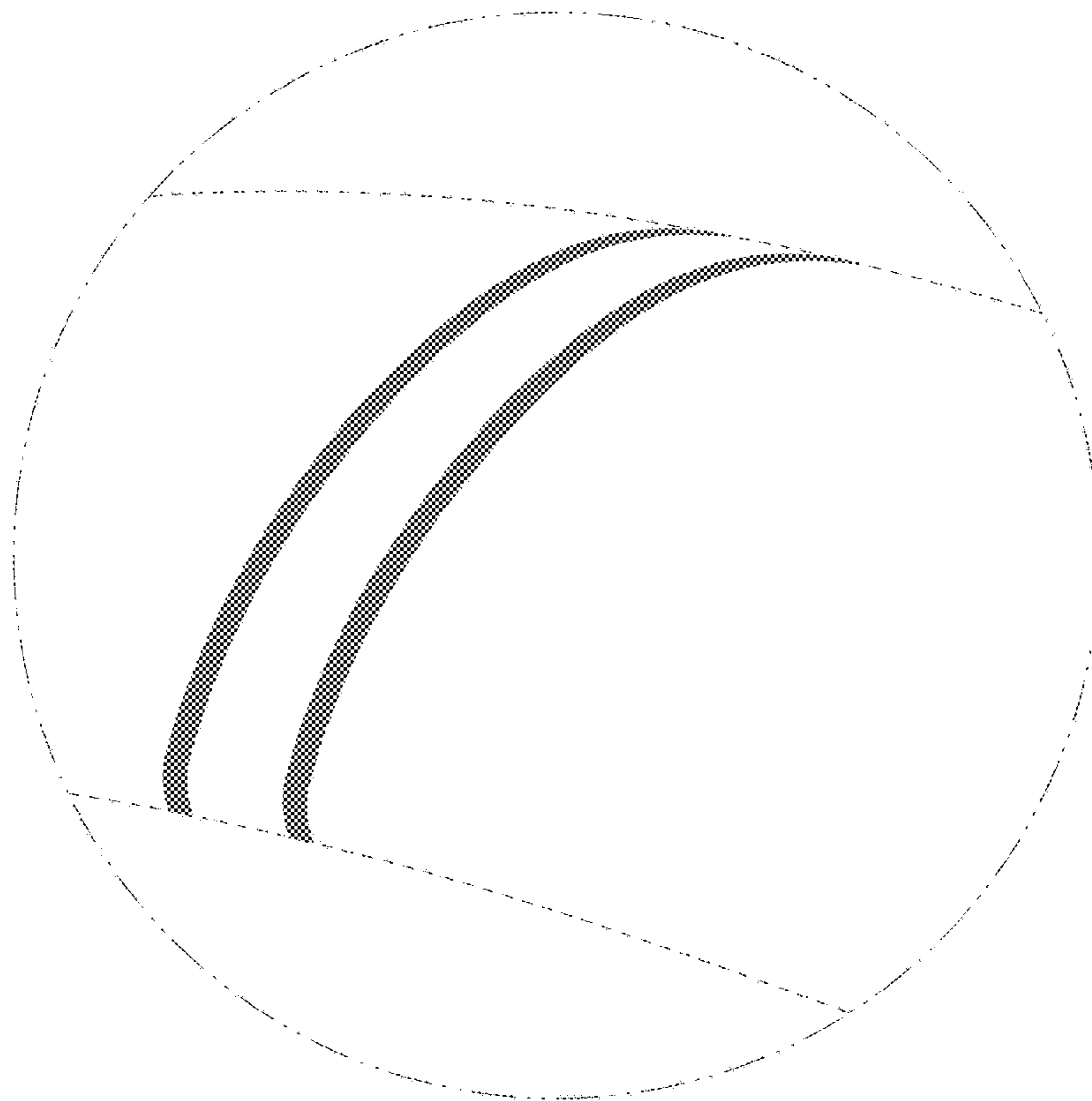


FIG. 11

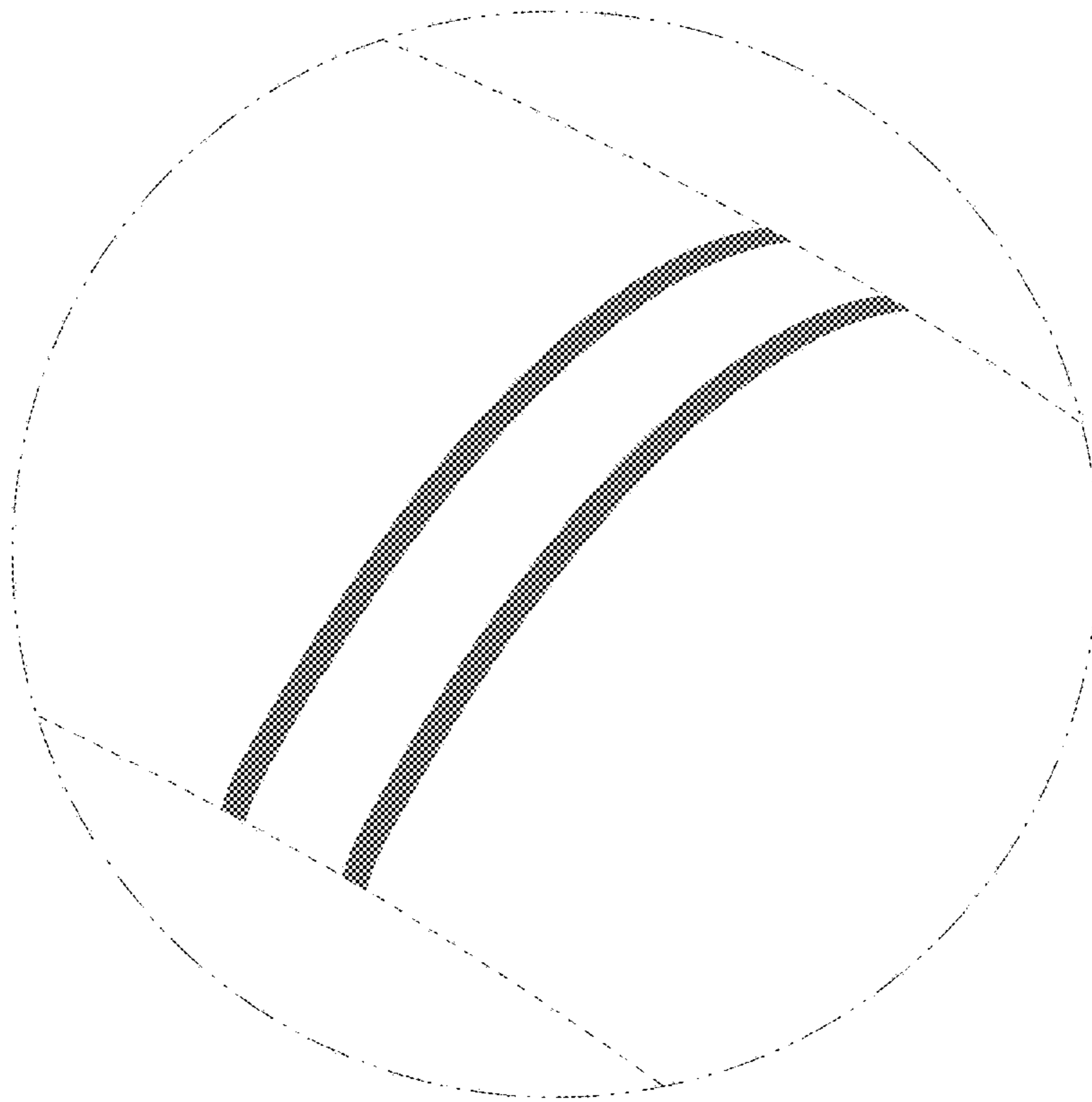


FIG. 12

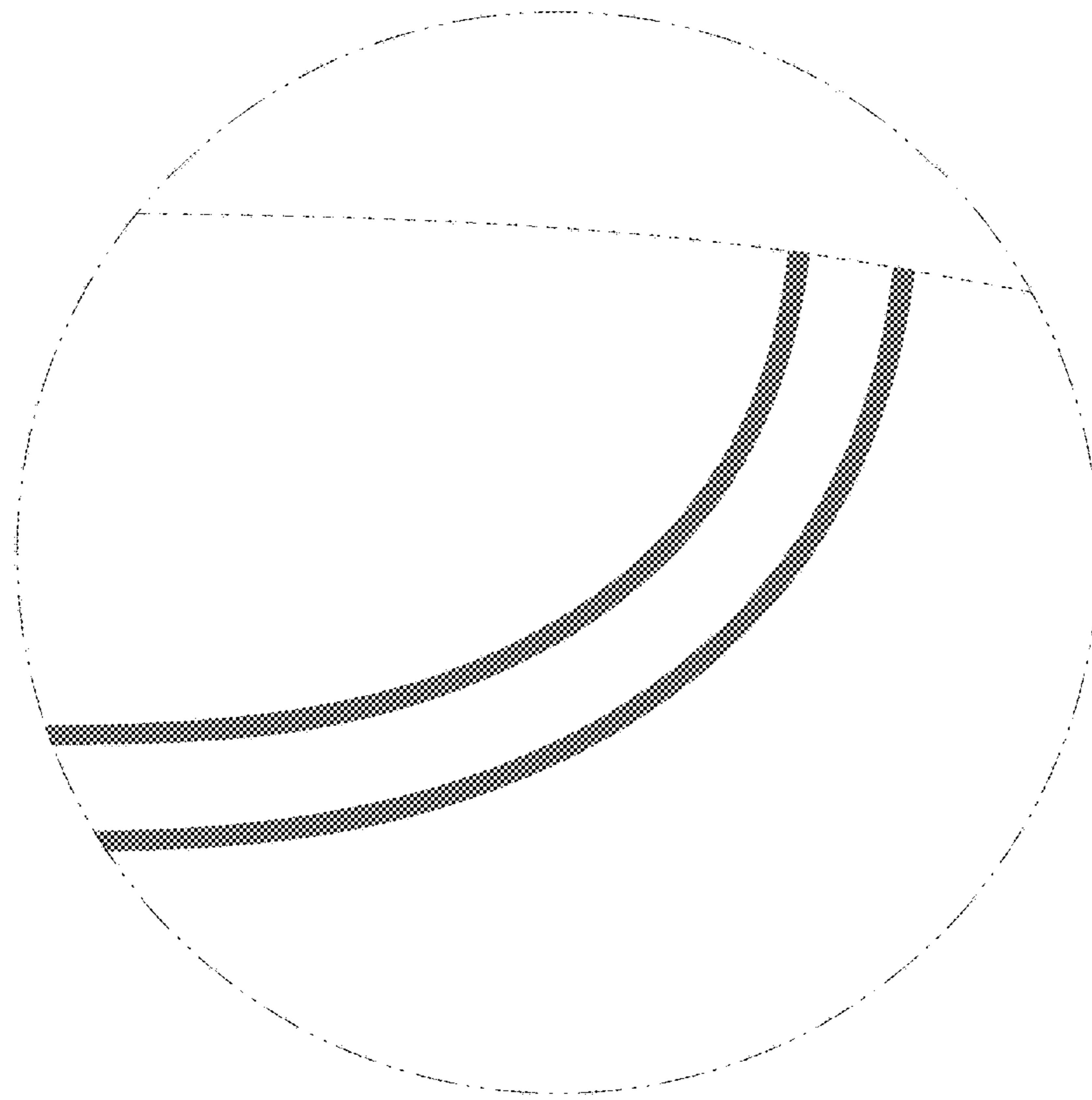


FIG. 13

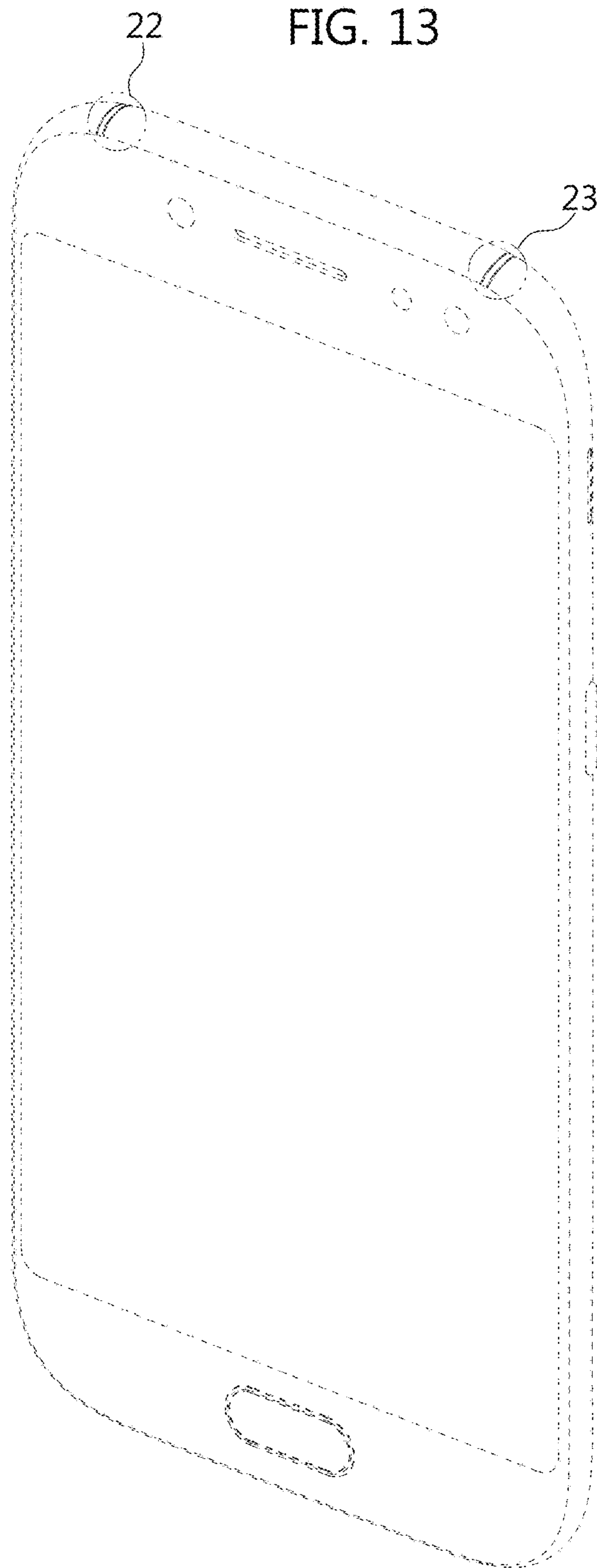


FIG. 14

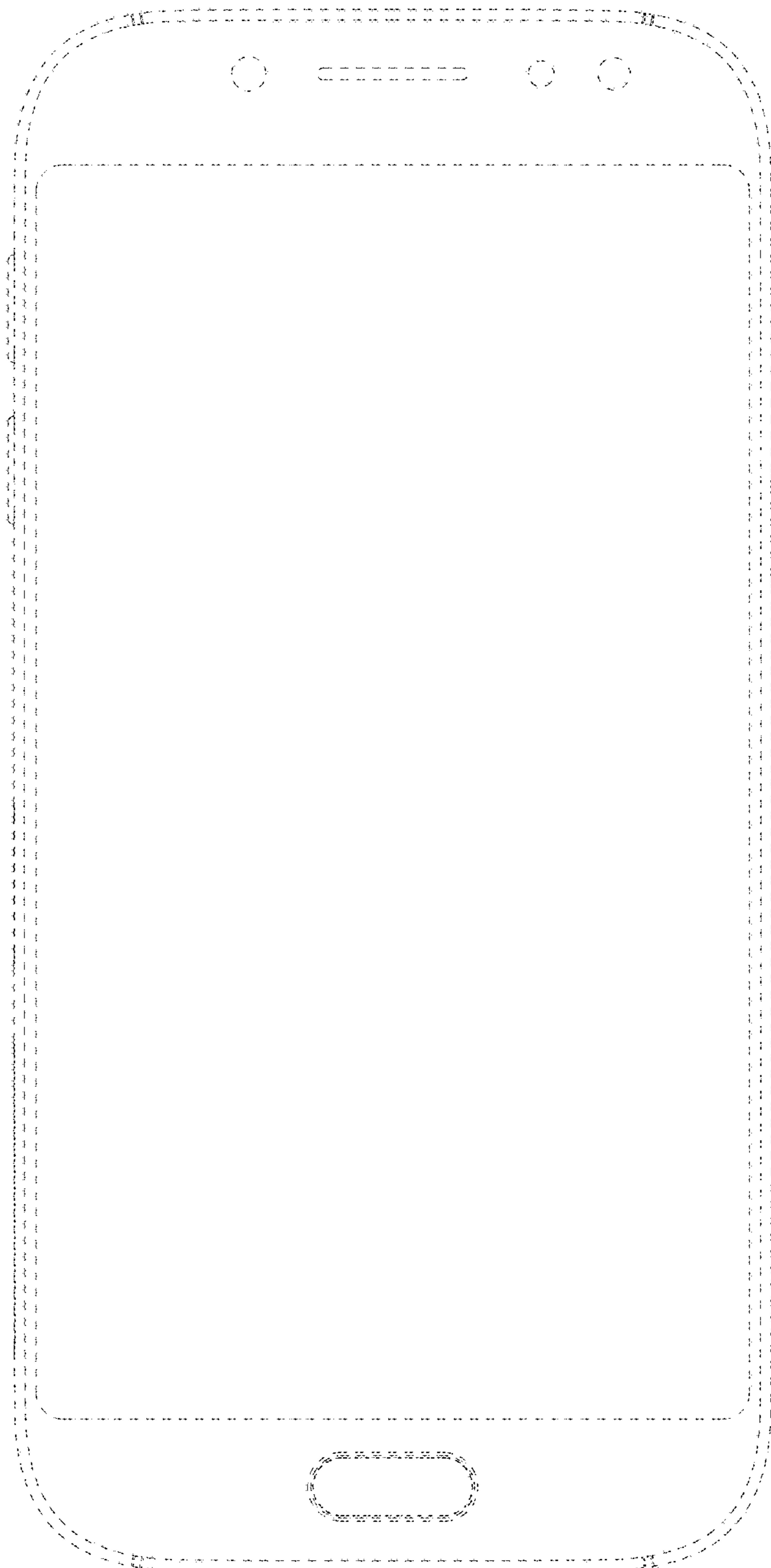


FIG. 15



FIG. 16



FIG. 17

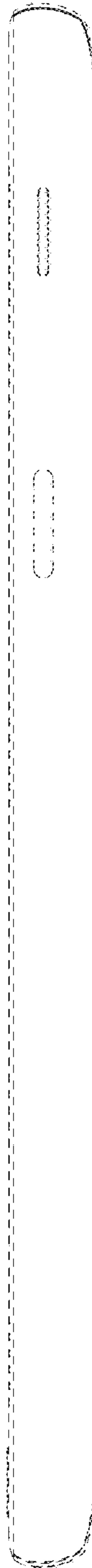


FIG. 18

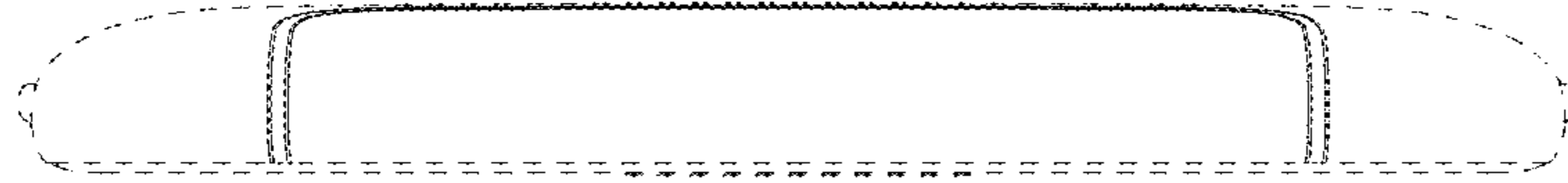


FIG. 19



FIG. 20

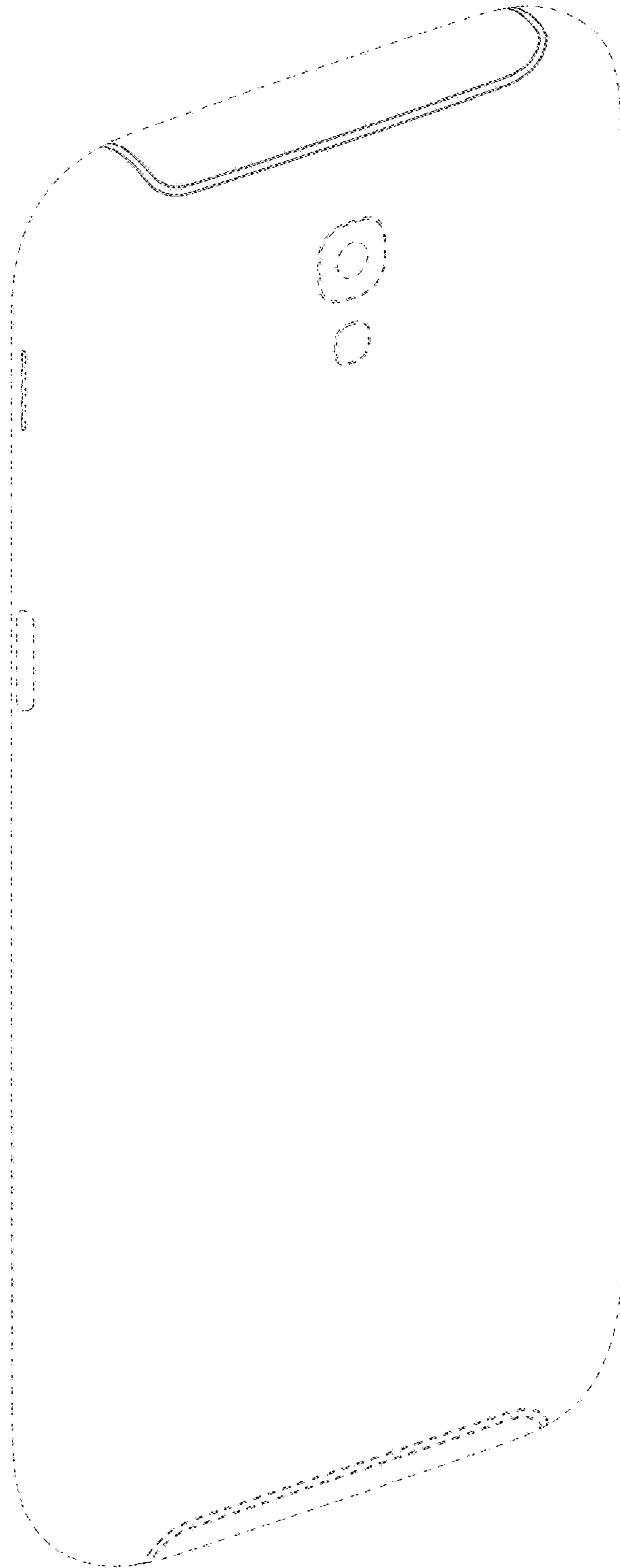


FIG. 21



FIG. 22

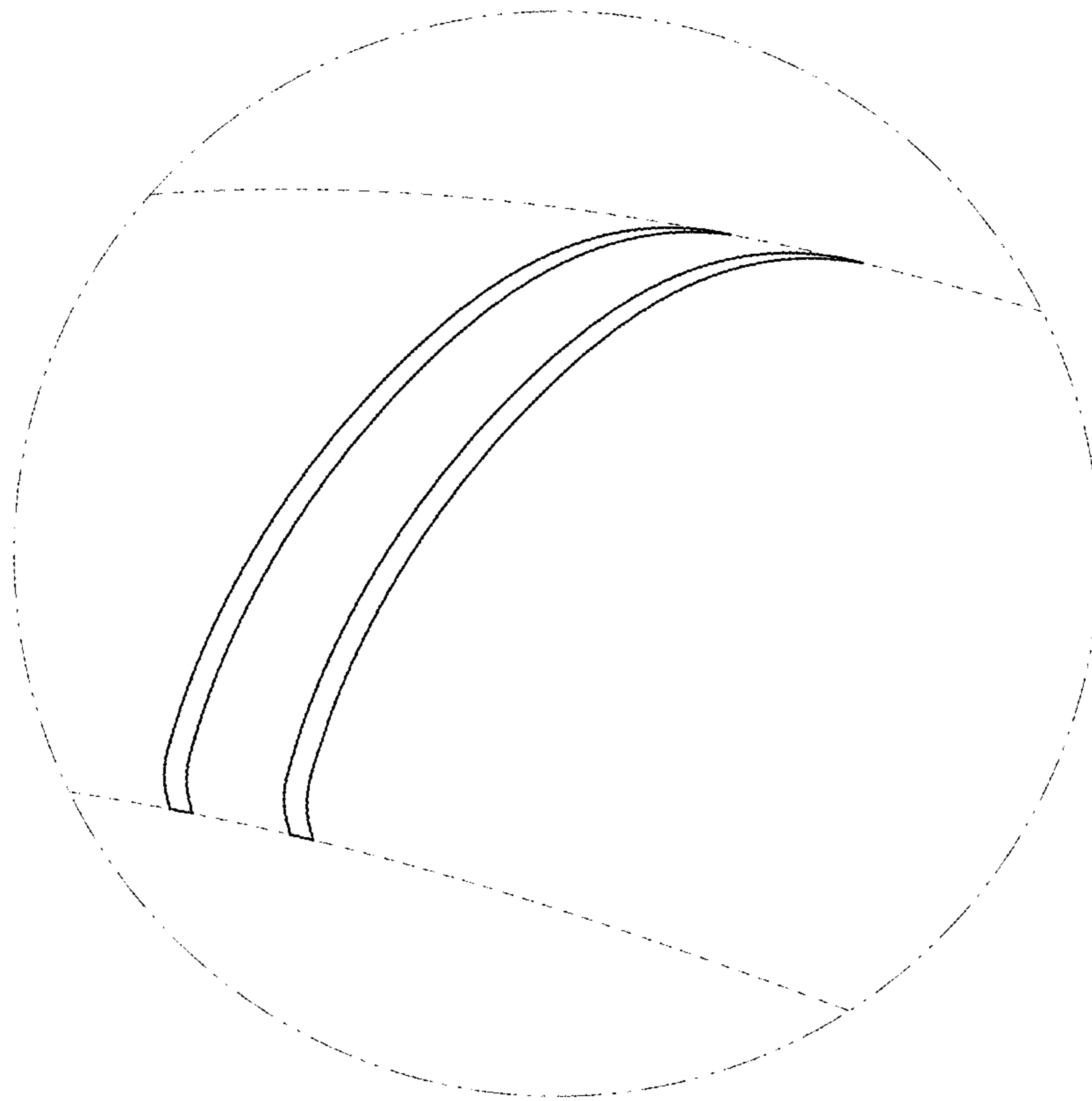


FIG. 23

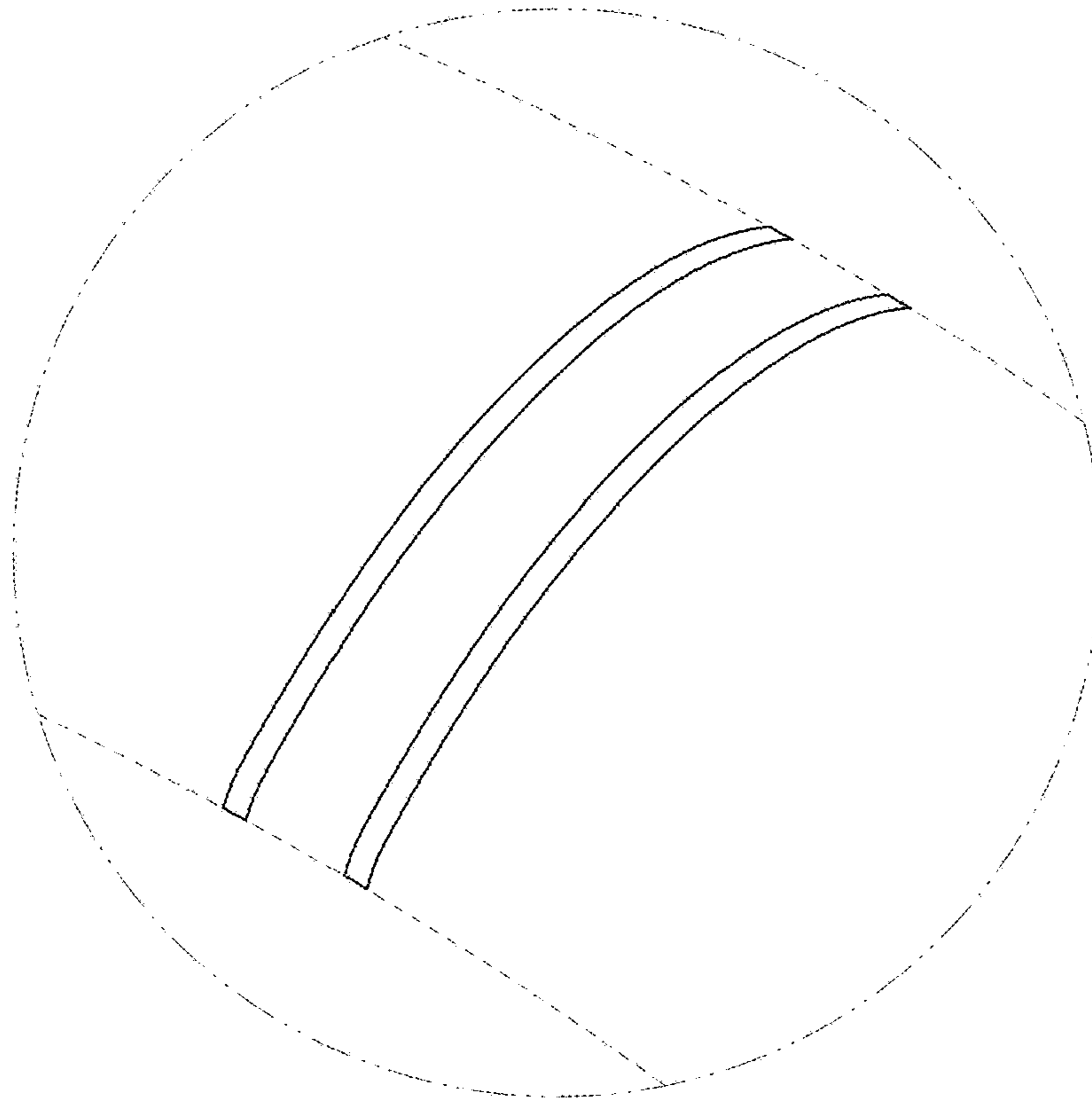


FIG. 24

