



US00D843358S

(12) **United States Design Patent** (10) **Patent No.:** **US D843,358 S**
Davis et al. (45) **Date of Patent:** **** Mar. 19, 2019**

(54) **AERIAL MOUNT**

(71) Applicant: **Rhino Rack Australia Pty Limited,**
Rydalmere (AU)

(72) Inventors: **William John Gissing Davis,**
Rydalmere (AU); **Christopher John Murty,**
Rydalmere (AU); **Richard Oswald Cropley,**
Rydalmere (AU)

(73) Assignee: **Rhino Rack Australia PTY Limited,**
Rydalmere NSW (AU)

D499,372 S 12/2004 Andersson
D593,079 S * 5/2009 Schmitz D14/238
D638,345 S 5/2011 Kanczuzewski et al.
7,954,777 B2 * 6/2011 Bohm F16M 11/10
248/274.1

D660,778 S 5/2012 An et al.
D669,017 S 10/2012 Robertson
D709,818 S 7/2014 Zhang
D711,307 S 8/2014 Fair
D730,331 S * 5/2015 Wong D14/238
D758,256 S 6/2016 Cropley et al.
D777,080 S 1/2017 Cropley et al.

2007/0132655 A1 * 6/2007 Lin H01Q 1/12
343/880

2008/0165076 A1 * 7/2008 Pan H01Q 1/125
343/882

2008/0197162 A1 8/2008 Klinkman et al.
2016/0229349 A1 8/2016 Cropley et al.

(**) Term: **15 Years**

(21) Appl. No.: **29/610,974**

(22) Filed: **Jul. 18, 2017**

(30) **Foreign Application Priority Data**

Jan. 19, 2017 (AU) 201710332

(51) **LOC (11) Cl.** **14-03**

(52) **U.S. Cl.**
USPC **D14/238**

(58) **Field of Classification Search**
USPC D14/238, 496, 217, 230; 343/715, 713,
343/892
CPC H01Q 1/1235; H01Q 1/1264
See application file for complete search history.

(56) **References Cited**

U.S. PATENT DOCUMENTS

D221,299 S 7/1971 Burland
D343,174 S * 1/1994 Watanabe D14/238
D343,840 S * 2/1994 Watanabe D14/238
D357,922 S * 5/1995 Nysether D14/238
D359,738 S * 6/1995 Shimada D14/238
D361,067 S * 8/1995 Brehmer D14/238
D361,068 S * 8/1995 Brehmer D14/238
D495,654 S 9/2004 Elwell et al.

* cited by examiner

Primary Examiner — Lakiya G Rogers
Assistant Examiner — Harold E Blackwell, II
(74) *Attorney, Agent, or Firm* — Cooper & Dunham LLP

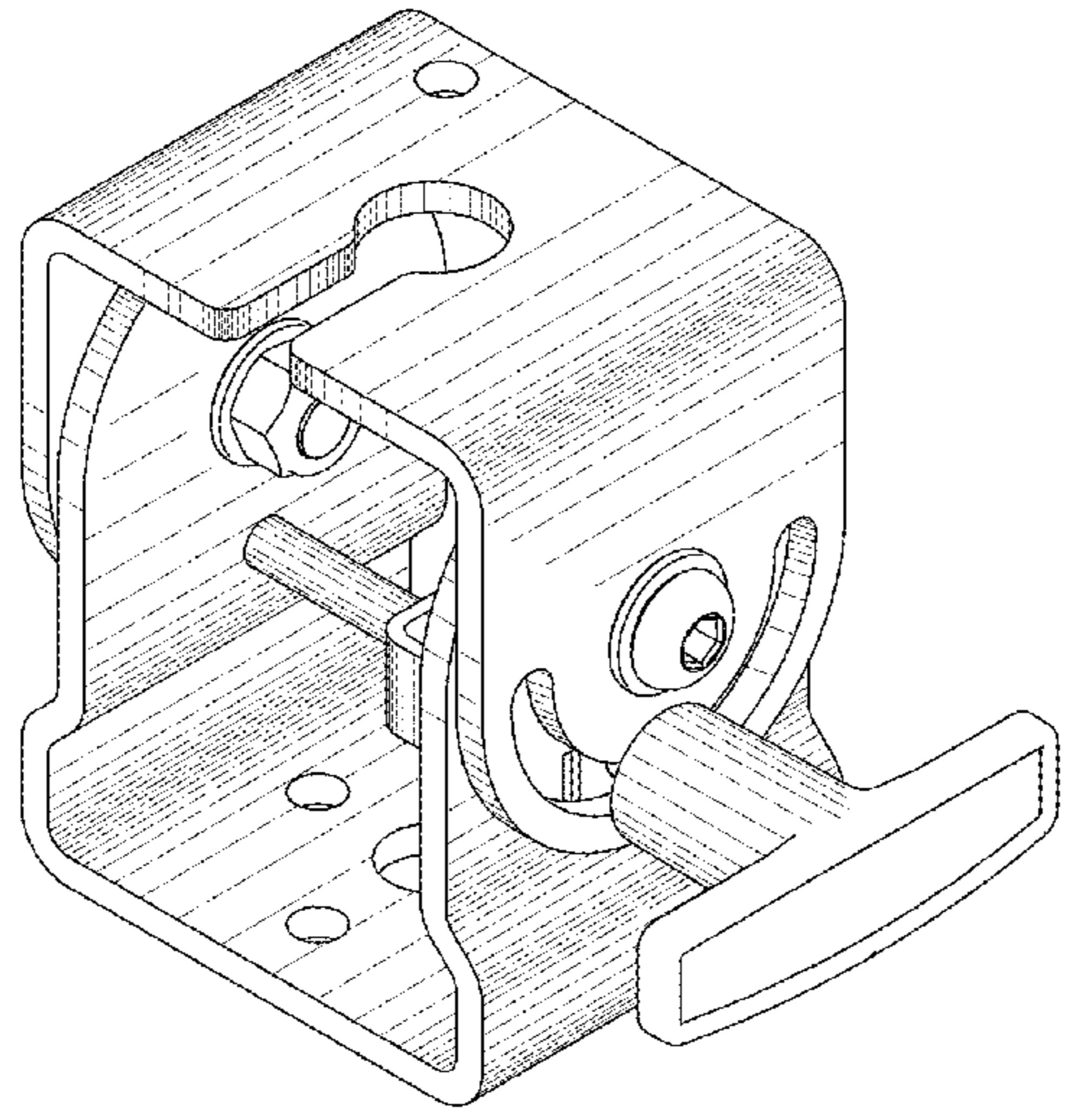
(57) **CLAIM**

The ornamental design for a aerial mount, as shown and described.

DESCRIPTION

FIG. 1 is an isometric view of an aerial mount from top right, the aerial mount in an upright position;
FIG. 2 is an isometric view of the aerial mount from top left, the aerial mount in an upright position;
FIG. 3 is an isometric view of the aerial mount from top left, the aerial mount in a rotated position;
FIG. 4 is a top view of the aerial mount;
FIG. 5 is a right side view of the aerial mount;
FIG. 6 is a left side view of the aerial mount;
FIG. 7 is a front view of the aerial mount; and,
FIG. 8 is a rear view of the aerial mount.

1 Claim, 8 Drawing Sheets



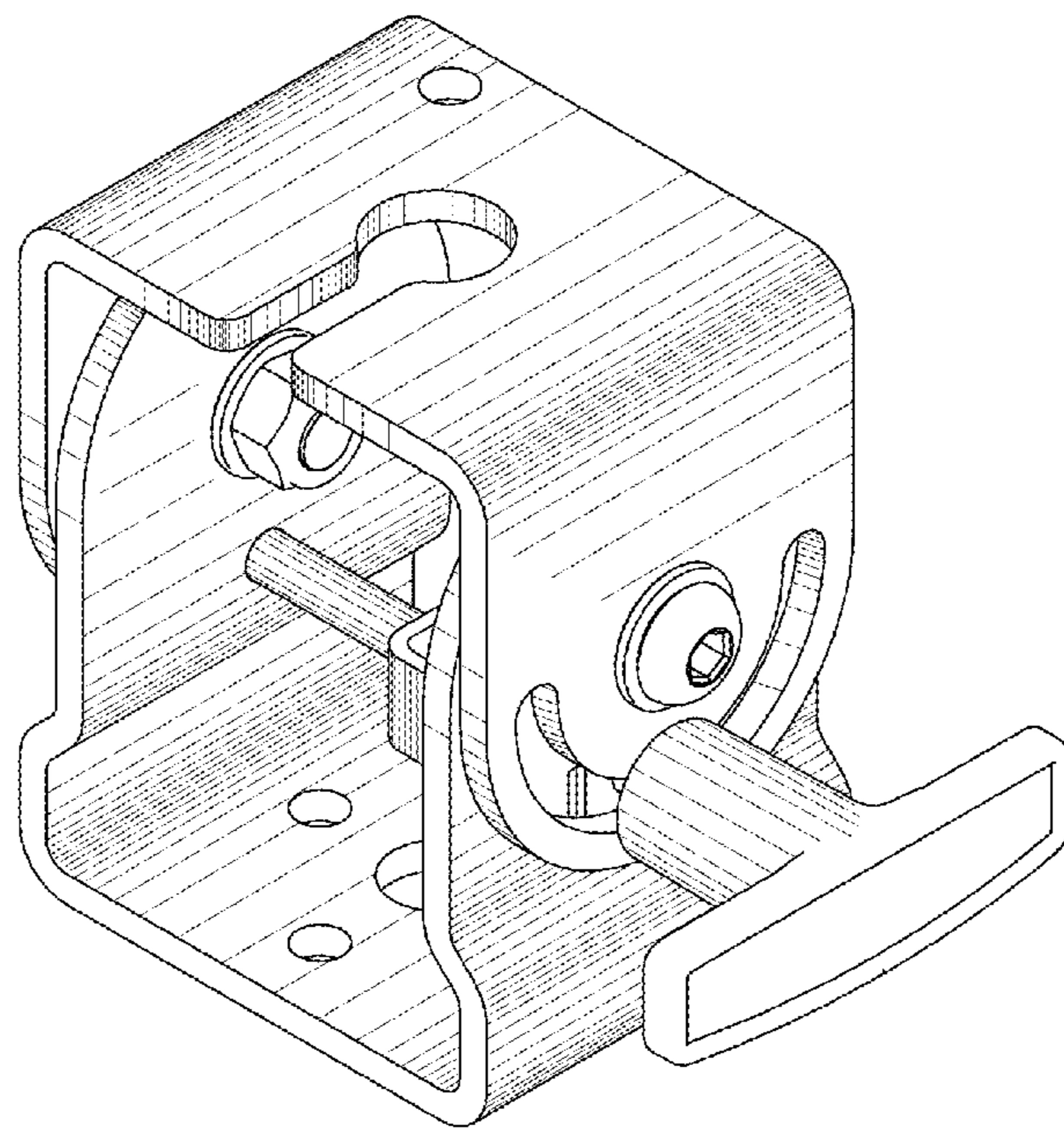


FIG. 1

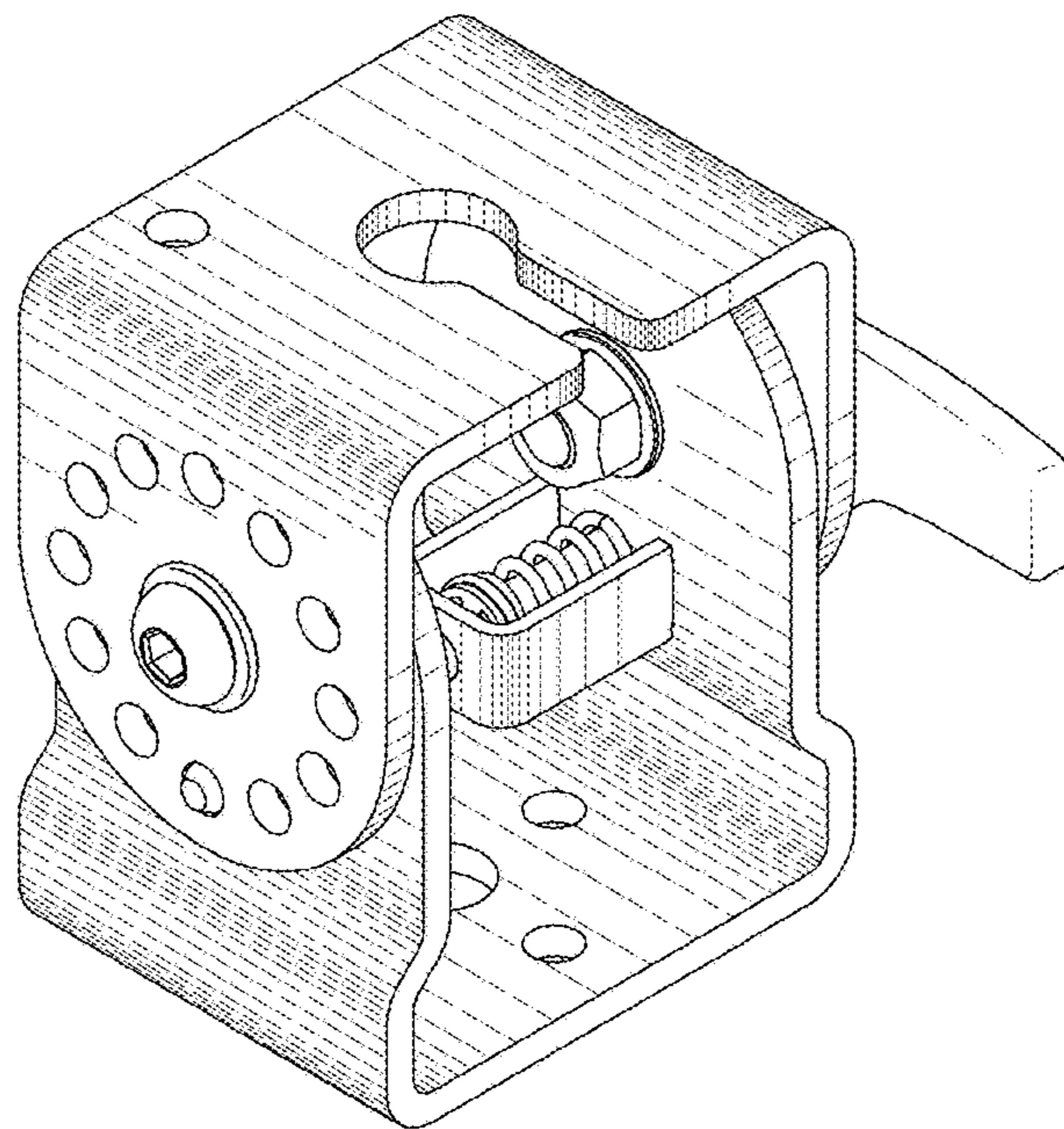


FIG. 2

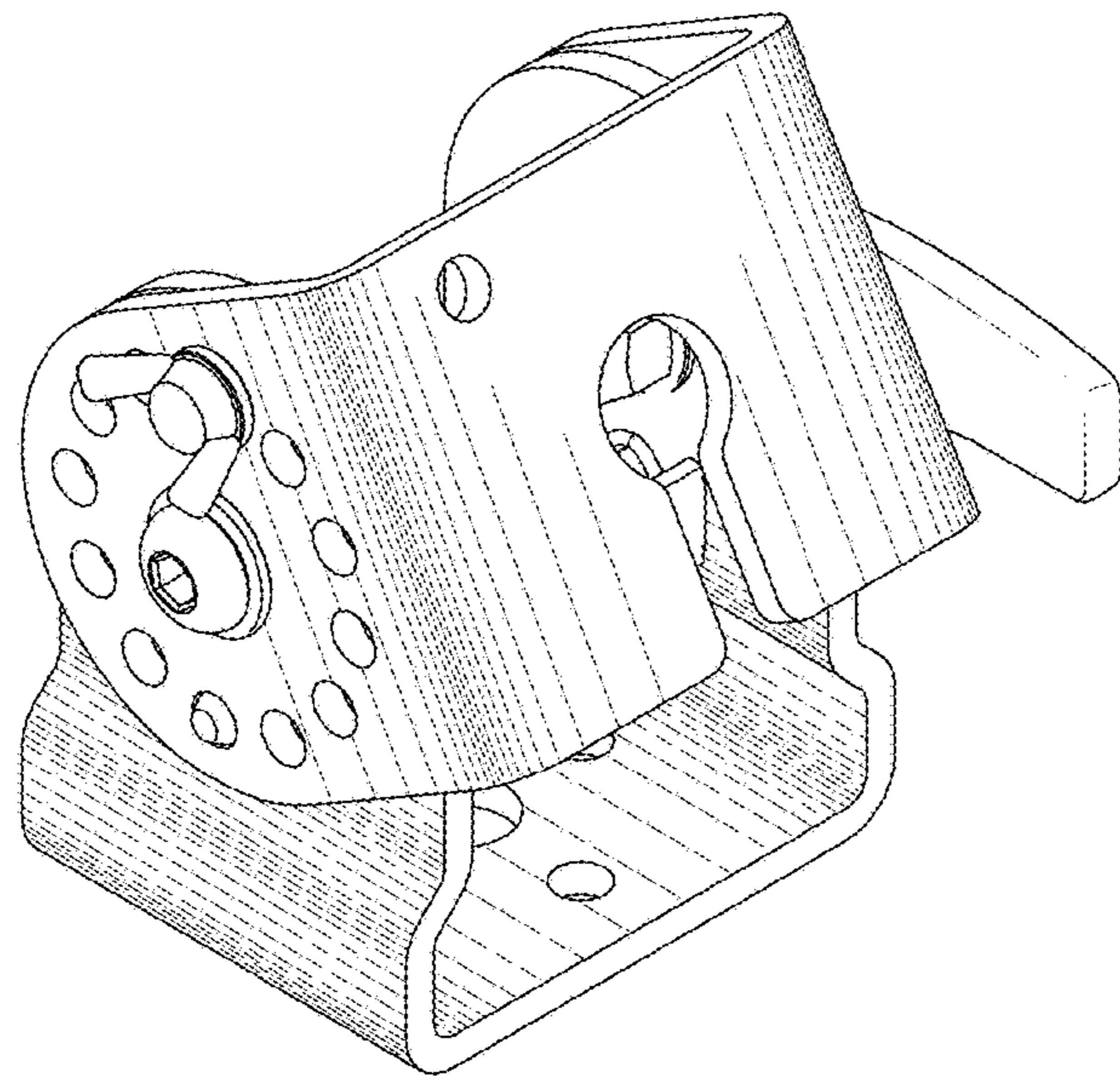


FIG. 3

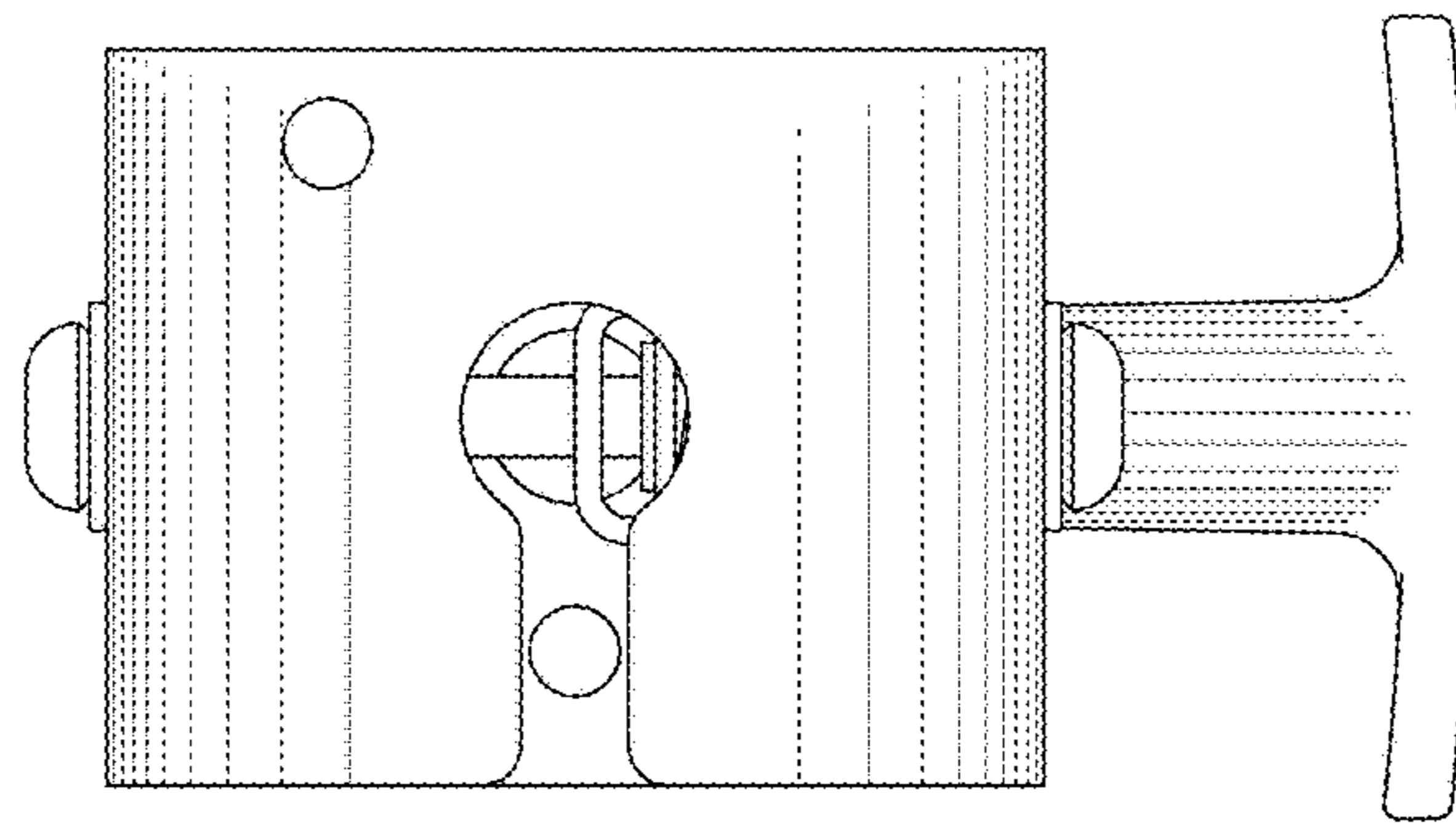


FIG. 4

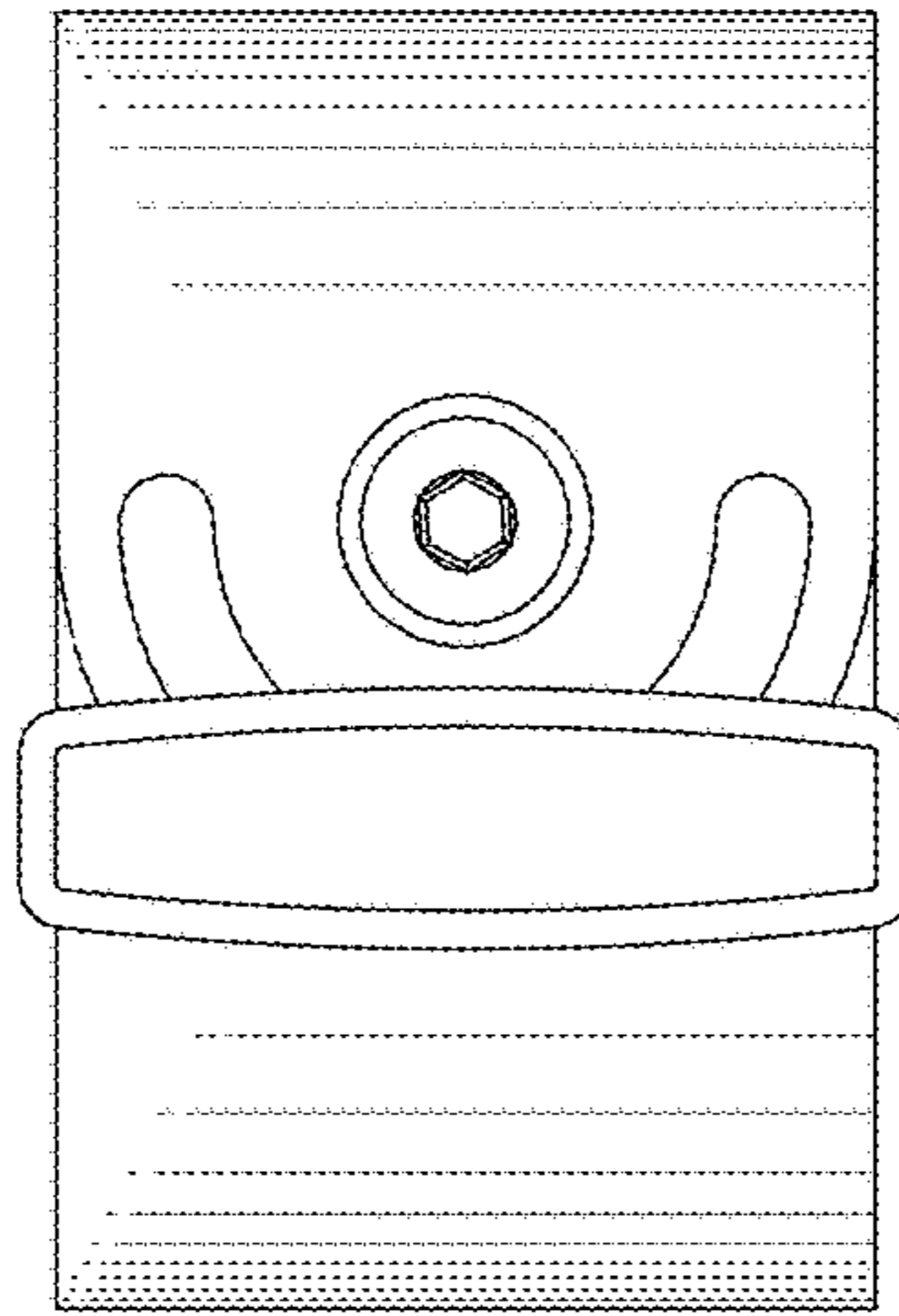


FIG. 5

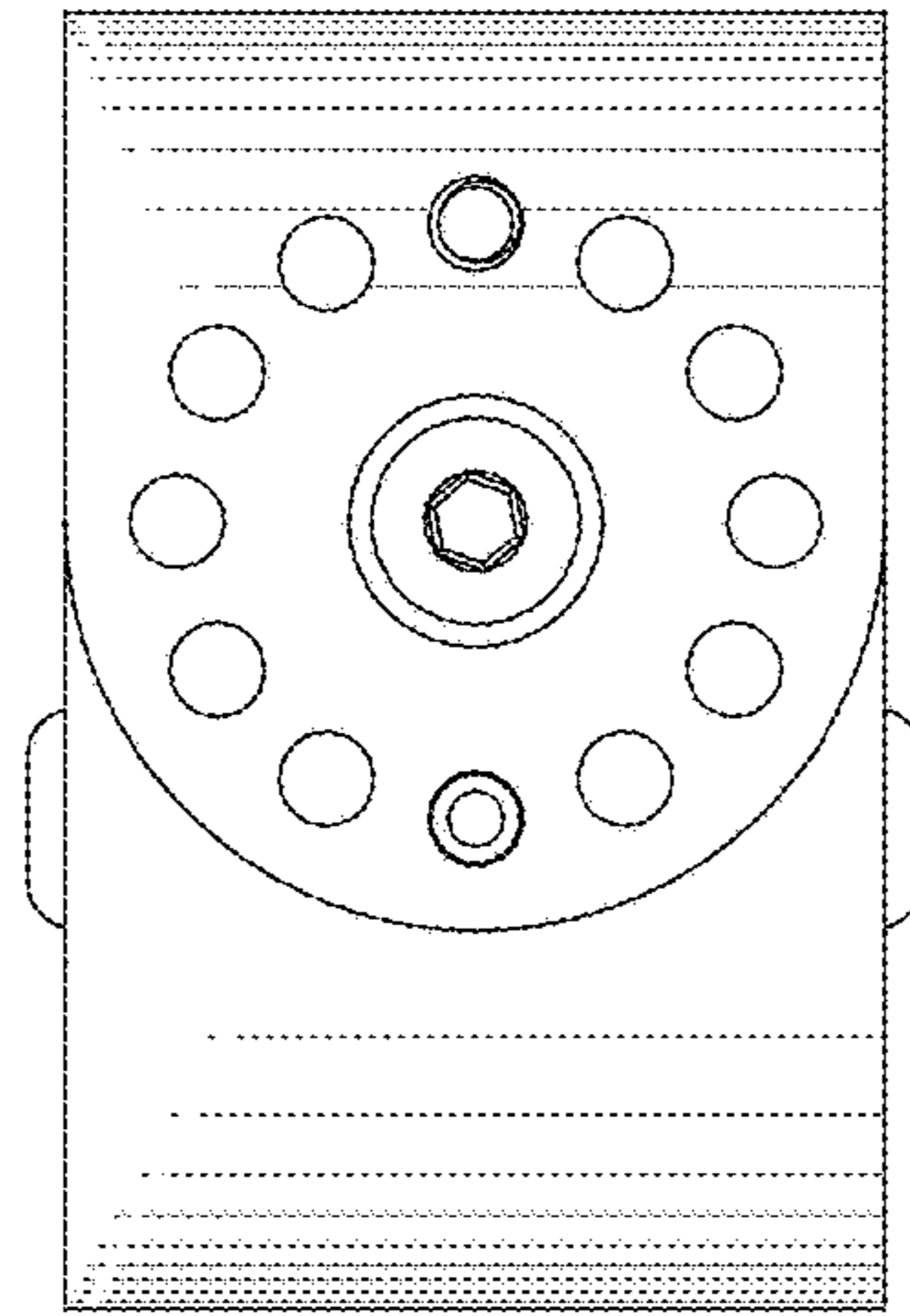


FIG. 6

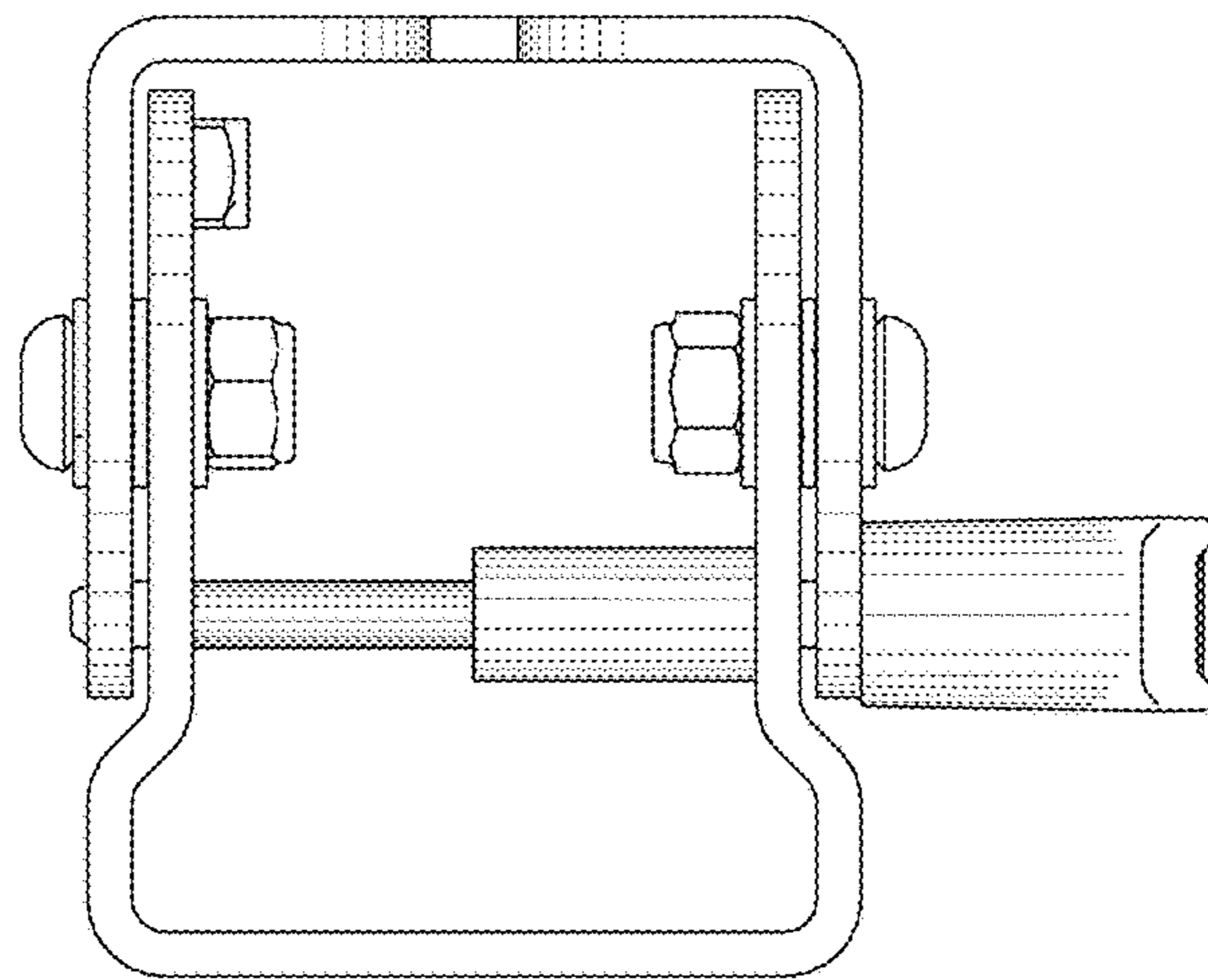


FIG. 7

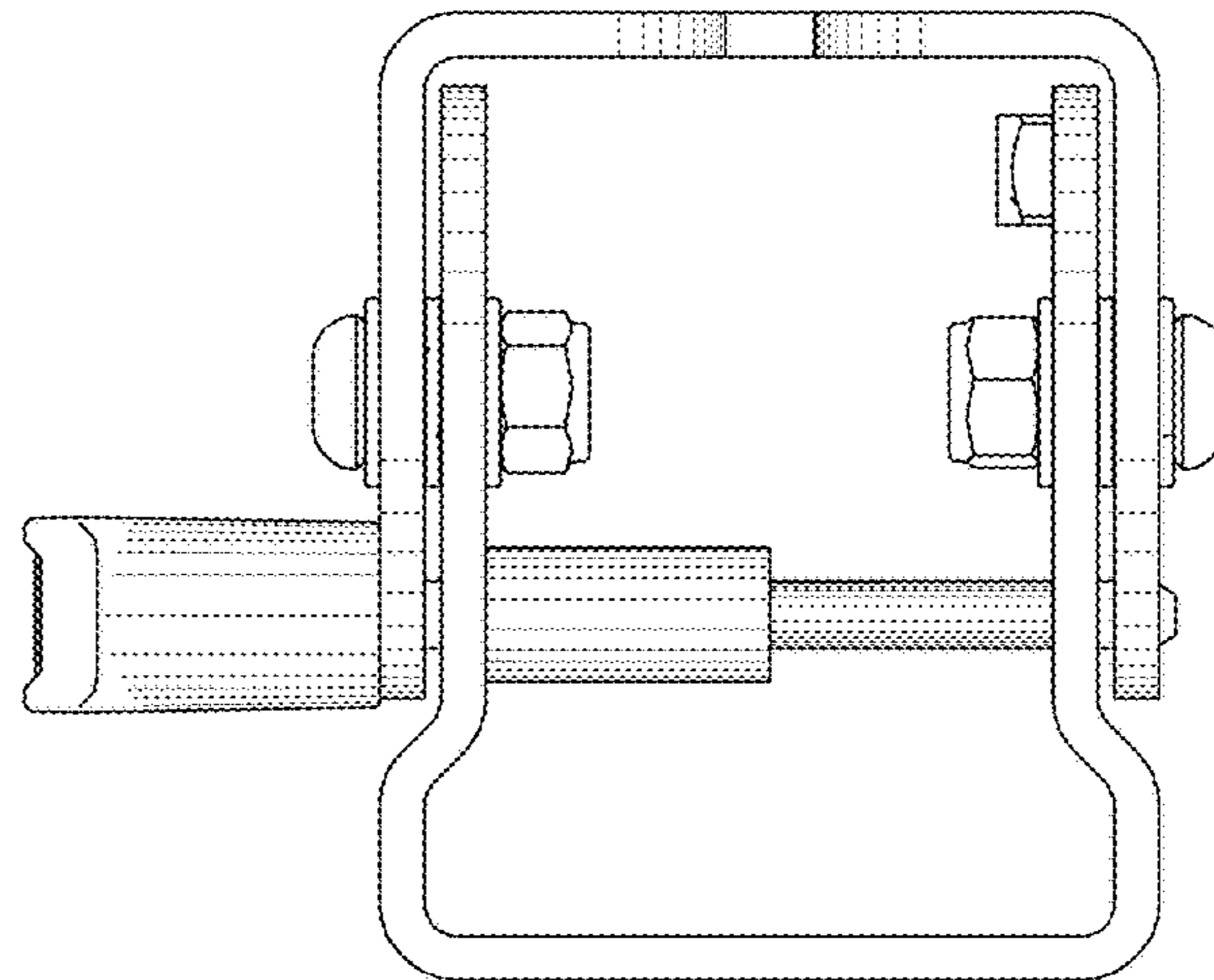


FIG. 8